

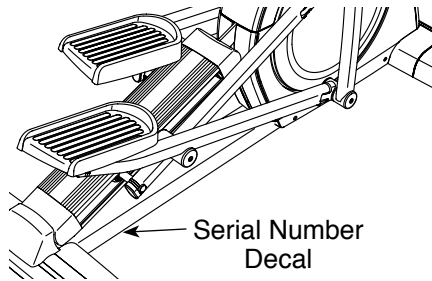
# HOTEL FITNESS®

## HF-XT9800-I

Model No. HF-XT9800-I.2

Serial No. \_\_\_\_\_

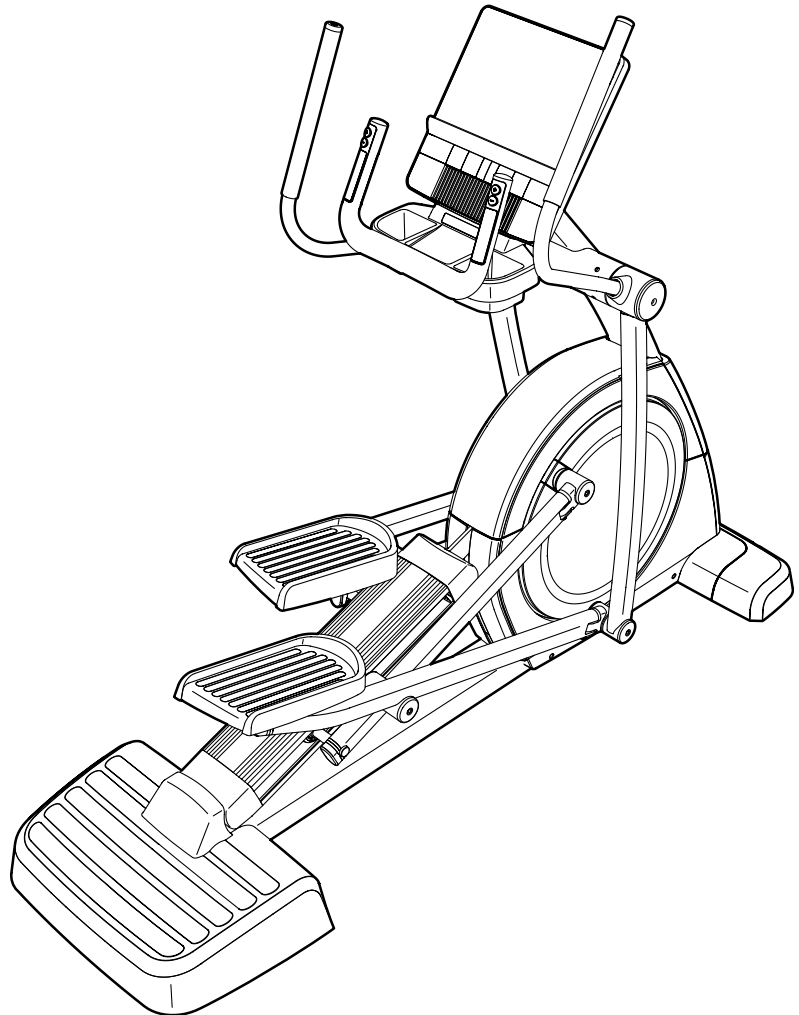
Write the serial number in the space above for reference.



## USER'S MANUAL

### QUESTIONS?

If you have questions, or if parts are damaged or missing, please see HOW TO CONTACT CUSTOMER CARE on the back cover of this manual.



### **▲ CAUTION**

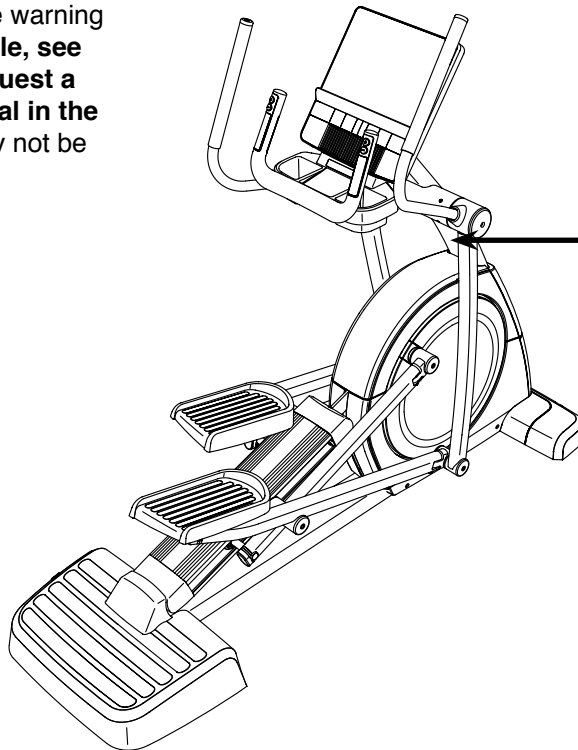
Read all precautions and instructions in this manual before using this equipment. Keep this manual for future reference.

# TABLE OF CONTENTS

|                                       |            |
|---------------------------------------|------------|
| WARNING DECAL PLACEMENT .....         | 2          |
| IMPORTANT PRECAUTIONS .....           | 3          |
| BEFORE YOU BEGIN .....                | 6          |
| ASSEMBLY .....                        | 7          |
| HOW TO UPGRADE THE CONSOLE .....      | 9          |
| HOW TO USE THE ELLIPTICAL .....       | 10         |
| MAINTENANCE AND TROUBLESHOOTING ..... | 25         |
| FCC INFORMATION .....                 | 25         |
| EXERCISE GUIDELINES .....             | 26         |
| PART LIST .....                       | 27         |
| EXPLODED DRAWING .....                | 29         |
| HOW TO CONTACT CUSTOMER CARE .....    | 32         |
| LIMITED WARRANTY .....                | Back Cover |

## WARNING DECAL PLACEMENT

This drawing shows the location(s) of the warning decal(s). **If a decal is missing or illegible, see the back cover of this manual and request a free replacement decal. Apply the decal in the location shown.** Note: The decal(s) may not be shown at actual size.



**WARNING**  
**AVERTISSEMENT**

- Misuse of this machine may result in serious injury.
- Read user's manual prior to use and follow all warnings and instructions.
- Do not allow children on or around machine.
- Pedals continue to spin when you stop pedaling.
- Spinning pedals can cause injury.
- Reduce pedal speed in a controlled manner.
- User weight must not exceed 400 lbs / 181 kgs.
- This product should always be used on a level surface.
- This product is not intended for therapeutic use.
- Replace label if damaged, illegible, or removed.

- Le mauvais usage de cet appareil peut causer des blessures graves.
- Lisez le manuel de l'utilisateur et suivez tous les avertissements et les instructions d'utilisation avant d'utiliser.
- Ne permettez pas aux enfants de monter sur ou de se tenir près de l'appareil.
- Les pédales tournantes peuvent causer des blessures.
- Cet appareil n'a pas de roue libre.
- Réduisez la vitesse des pédales d'une manière contrôlée.
- Le poids de l'utilisateur ne devrait pas excéder 181 kg.
- Remplacez l'étiquette si elle est endommagée, illisible ou manquante.

HOTEL FITNESS is a registered trademark of Hotel Fitness Club, Inc.

FREEMOTION is a registered trademark of ICON IP, Inc.

POLAR is a registered trademark of Polar Electro Oy.

iPod is a trademark of Apple Computer, Inc., registered in the U.S. and other countries.

# IMPORTANT PRECAUTIONS

**⚠ WARNING:** To reduce the risk of burns, fire, electric shock, or injury to persons, read all important precautions and instructions in this manual and all warnings on your elliptical before using your elliptical. Hotel Fitness and Freemotion Fitness assumes no responsibility for personal injury or property damage sustained by or through the use of this product.

1. It is the responsibility of the owner to ensure that all users of the elliptical are adequately informed of all precautions.
2. Before beginning any exercise program, consult your physician. This is especially important for persons over age 35 or persons with pre-existing health problems.
3. Use the elliptical only as described in this manual.
4. Keep the elliptical indoors, away from moisture and dust. Do not put the elliptical in a garage or covered patio, or near water.
5. Place the elliptical on a level surface, with at least 3 ft. (0.9 m) of clearance in the front and rear of the elliptical and 2 ft. (0.6 m) on each side. To protect the floor or carpet from damage, place a mat under the elliptical.
6. Inspect and properly tighten all parts regularly. Replace any worn parts immediately.
7. Keep children under age 12 and pets away from the elliptical at all times.
8. When connecting the power cord, plug the power cord into a grounded circuit.
9. Do not modify the power cord or use an adapter to connect the power cord to an improper receptacle. Keep the power cord away from heated surfaces. Do not use an extension cord.
10. Do not operate the elliptical if the power cord or plug is damaged, or if the elliptical is not working properly.
11. **DANGER:** Always unplug the power cord and switch the power switch to the off position when the elliptical is not in use and before cleaning the elliptical. Servicing other than the procedures in this manual should be performed by an authorized service representative only.
12. The elliptical should not be used by persons weighing more than 400 lbs. (181 kg).
13. Wear appropriate clothes while exercising; do not wear loose clothes that could become caught on the elliptical. Always wear athletic shoes for foot protection while exercising.
14. Hold the handlebars or the upper body arms when mounting, dismounting, or using the elliptical.
15. The heart rate monitor is not a medical device. Various factors may affect the accuracy of heart rate readings. The heart rate monitor is intended only as an exercise aid in determining heart rate trends in general.
16. The elliptical does not have a freewheel; the pedals will continue to move until the flywheel stops. Reduce your pedaling speed in a controlled way.
17. Keep your back straight while using the elliptical; do not arch your back.
18. Over exercising may result in serious injury or death. If you feel faint or if you experience pain while exercising, stop immediately and cool down.

**SAVE THESE INSTRUCTIONS**

# MAKE YOUR FITNESS GOALS A **REALITY**

**iFIT**®

Congratulations on the purchase of your new iFit® compatible fitness equipment. You're just one click away from making your fitness goals a reality.

**GO TO IFIT.COM TO GET STARTED**

## **DO MORE THAN JUST WORK OUT**

iFit® is the most powerful training tool available to help you accomplish all of your fitness goals. From weight loss and performance to personalized training programs, iFit® is the key to getting more out of everything you do. Some features require paid subscription.



### **LOSE WEIGHT**

Stay on track and motivated with progressive weight loss programs with our trainers, including Jillian Michaels.



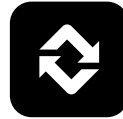
### **COMPETE WITH OTHERS**

Push yourself to new limits with real-time virtual races.



### **PERSONALIZED EVENT TRAINING**

5k, 10k, half or full marathon training will help you prepare for your event.



### **GO MOBILE**

Track your workout anywhere you go with iFit® mobile apps.



### **MAP YOUR ROUTE**

With Google Maps™, your fitness equipment will simulate the earth's terrain while displaying Street View during your workout.



### **SHARE YOUR PROGRESS**

Inspire others, motivate yourself and share routes, workouts and more.

GO TO

**IFIT.COM**

OR CALL

**877-236-1009**

# PROTECT

YOUR FITNESS EQUIPMENT  
WITH AN EXTENDED SERVICE PLAN



Your new fitness equipment is not an ordinary purchase; it is an investment in your health and well being for years to come.

As the leading provider of manufacturer's extended service plans, ICON strives to protect your equipment and your future.

Please review the following service plans and find one that best fits your needs.

## PREVENTIVE MAINTENANCE SERVICE PLANS

| Equipment Price                             | 3-Year Plan | 5-Year Plan |
|---|-------------|-------------|
| \$0.00 to \$1000.00                         | \$199.99    | \$289.99    |
| \$1001.00 to \$1500.00                      | \$259.99    | \$379.99    |
| \$1501.00 to \$2500.00                      | \$339.99    | \$489.99    |
| (Bikes/Systems Only)<br>\$0.00 to \$2500.00 | \$139.99    | NA          |

Features:

- Includes an annual preventive maintenance and performance check at your convenience
- Unlimited in-home repairs; no shipping required
- Covers parts and labor on all manufacturer's defects, as well as wear and tear on parts
- Up to 5 years of coverage available

## STANDARD SERVICE PLANS

| Equipment Price        | 1-Year Plan | 2-Year Plan | 3-Year Plan |
|------------------------|-------------|-------------|-------------|
| \$0.00 to \$300.00     | \$29.99     | \$39.99     | \$59.99     |
| \$301.00 to \$1000.00  | \$89.99     | \$119.99    | \$149.99    |
| \$1001.00 to \$2000.00 | \$109.99    | \$139.99    | \$179.99    |
| \$2001.00 to \$3000.00 | \$179.99    | \$209.99    | \$239.99    |

Features:

- Unlimited in-home repairs; no shipping required
- Covers parts and labor on all manufacturer's defects, as well as wear and tear on parts
- Up to 3 years of coverage available

To protect your fitness equipment today, please  
call Customer Care at **1-800-677-3838.**  
Or, visit us online at **www.utserv.com.**



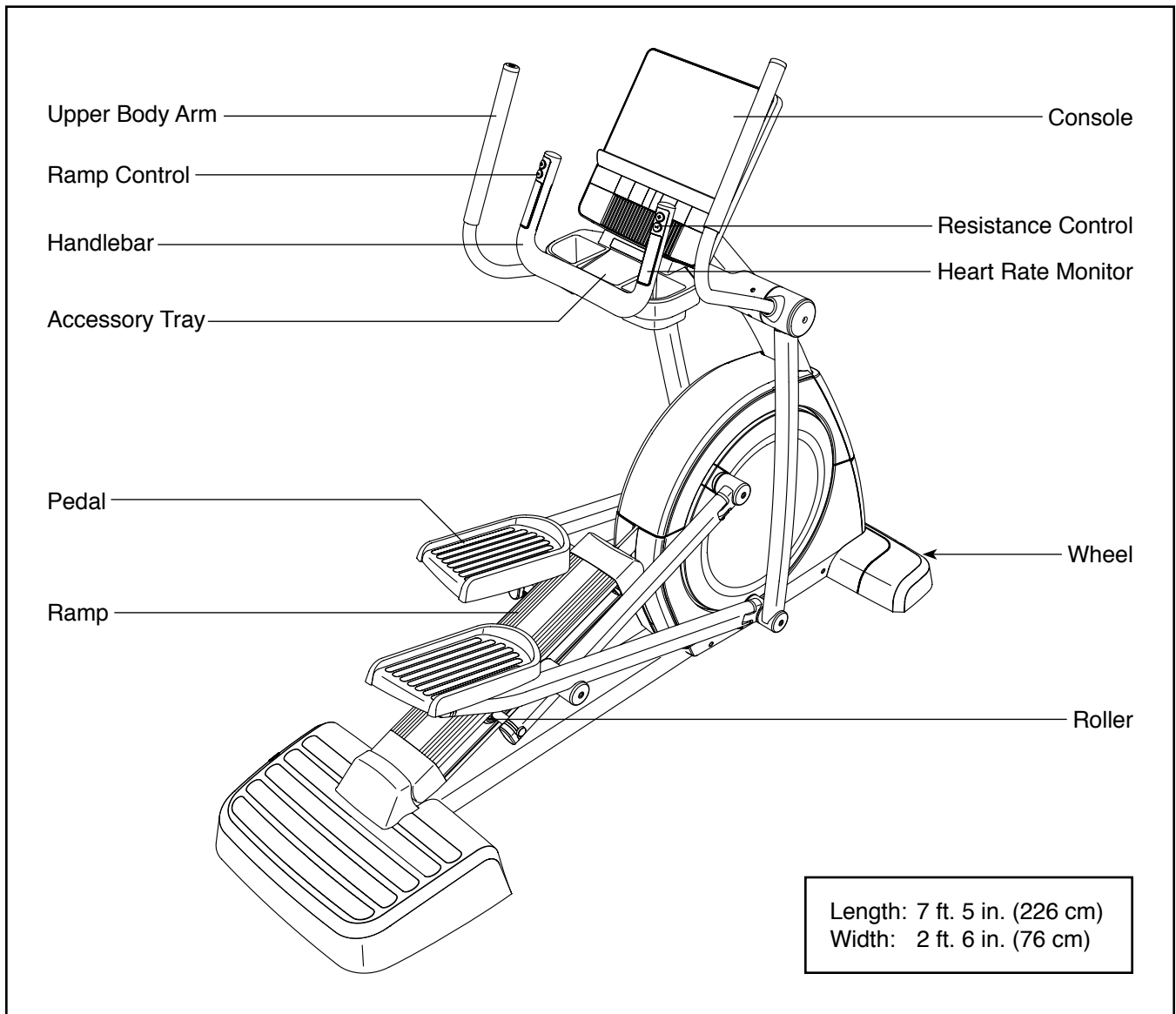
# BEFORE YOU BEGIN

Thank you for selecting the revolutionary HOTEL FITNESS® HF-XT9800-I elliptical. The HF-XT9800-I elliptical provides an impressive selection of features designed to make your workouts more effective and enjoyable.

**For your benefit, read this manual carefully before you use the elliptical.** If you have questions after

reading this manual, please see the back cover of this manual. To help us assist you, note the product model number and serial number before contacting us. The model number and the location of the serial number decal are shown on the front cover of this manual.

Before reading further, please familiarize yourself with the parts that are labeled in the drawing below.

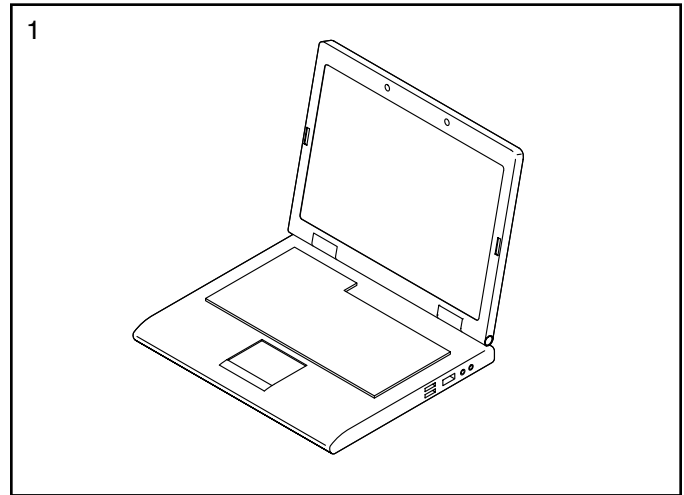


# ASSEMBLY

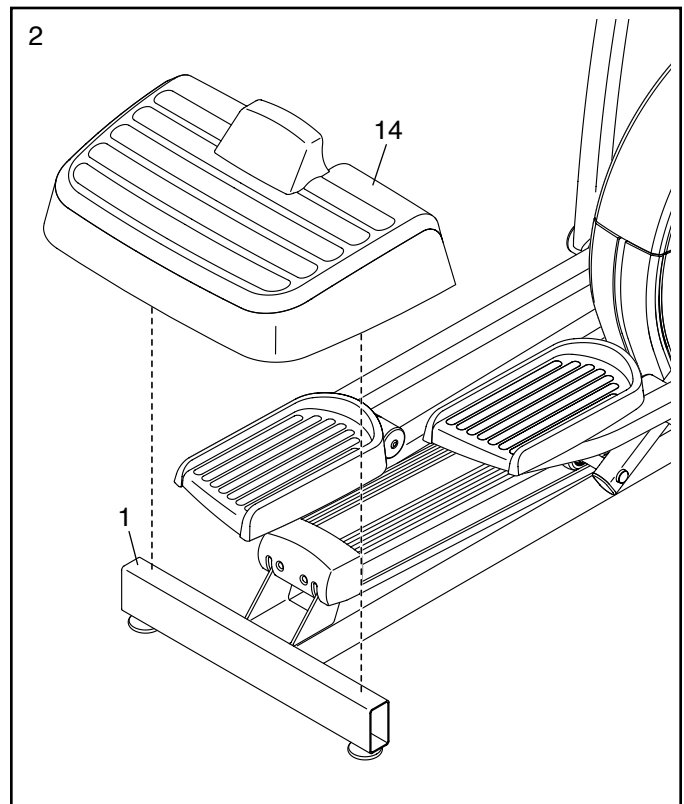
Place all parts in a cleared area and remove the packing materials. Do not dispose of the packing materials until you finish all assembly steps.

1. **Call or email Customer Care (see the back cover of this manual) today and register your product.**

- activates your warranty
- saves you time if you ever need to contact Customer Care
- allows us to notify you of upgrades and offers

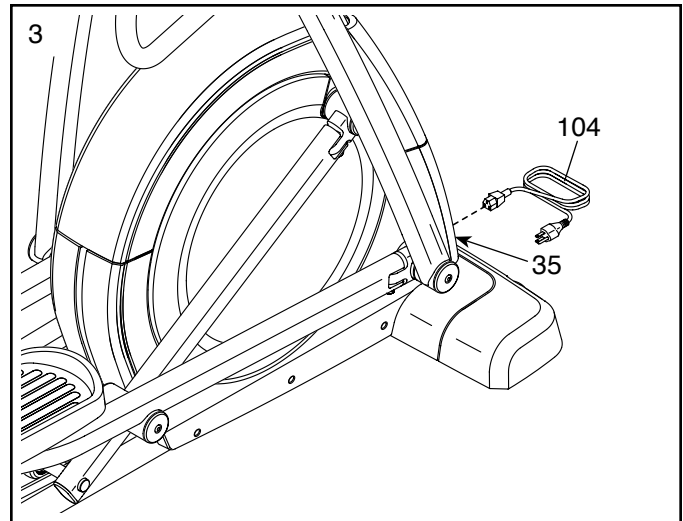


2. Press the Rear Frame Cover (14) onto the rear of the Frame (1).



3. Plug the Power Cord (104) into the Power Receptacle (35) on the frame of the elliptical.

Note: To plug the Power Cord (104) into an outlet, see HOW TO PLUG IN THE POWER CORD on page 10.

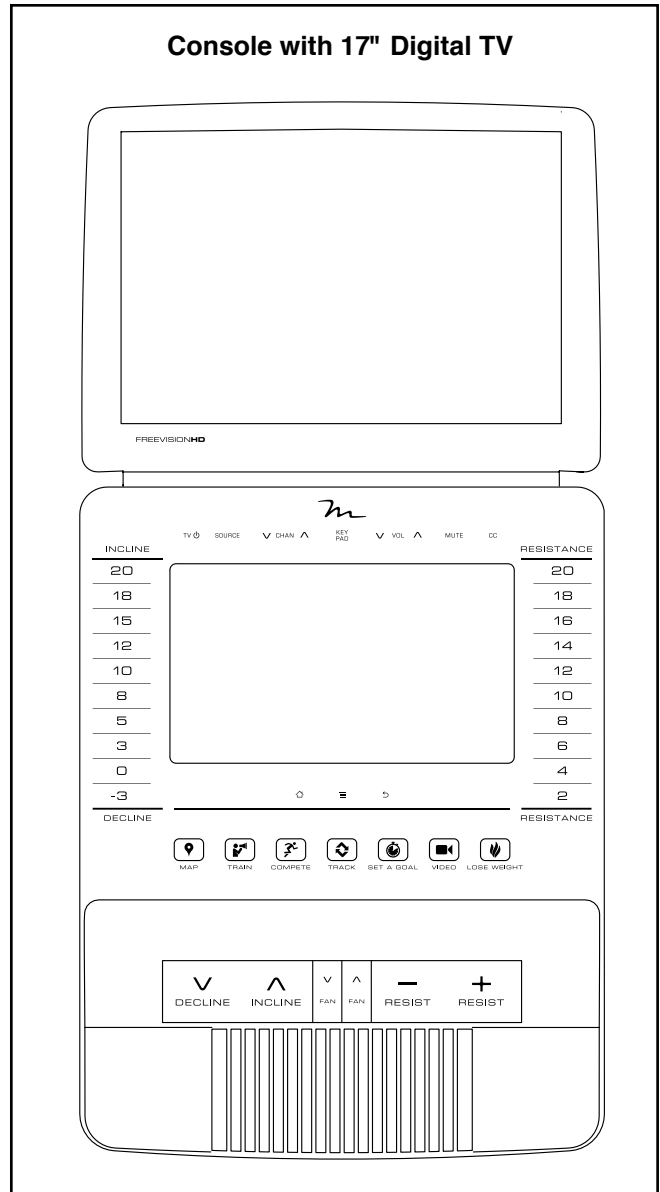
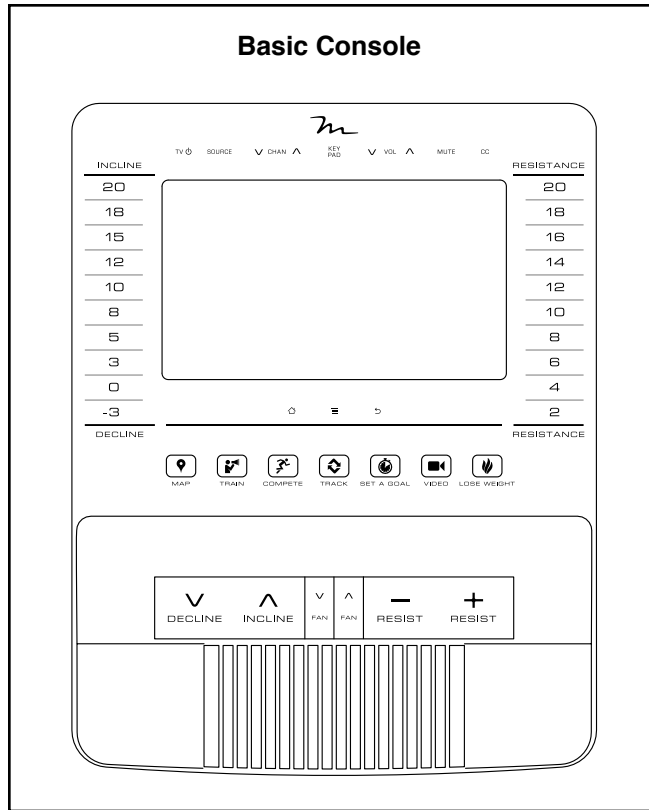


4. **Make sure that all parts are properly tightened before you use the elliptical.** Note: Extra parts may be included. Place a mat beneath the elliptical to protect the floor.

# HOW TO UPGRADE THE CONSOLE

Your console has been preconfigured to operate with a 17" Digital TV (see the drawings below). To learn about the features of the basic console, see page 13. To learn about the features of the 17" Digital TV, see the user's manual included with the 17" Digital TV. **Note: The buttons near the top of the basic console function with the 17" Digital TV only.** The basic console has no television capabilities.

To upgrade your console whenever you choose, please see the back cover of this manual.



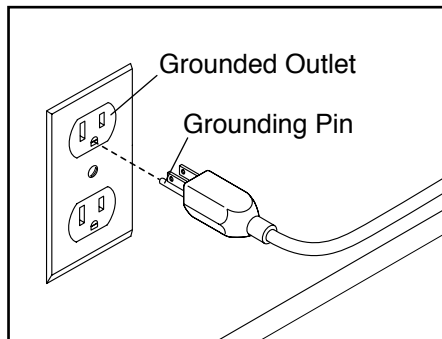
# HOW TO USE THE ELLIPTICAL

## HOW TO PLUG IN THE POWER CORD

**This product must be grounded.** If it should malfunction or break down, grounding provides a path of least resistance for electric current to reduce the risk of electric shock. The power cord has a plug with a grounding pin.

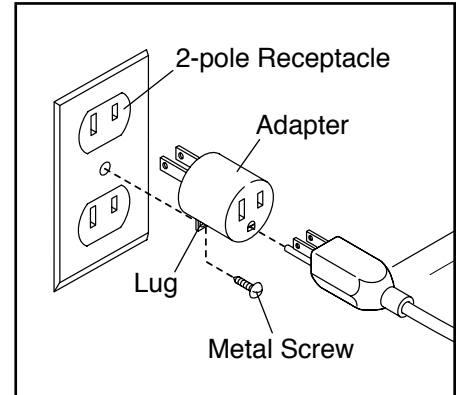
**⚠ DANGER:** Improper connection of the power cord increases the risk of electric shock. Do not modify the plug—if it will not fit an outlet, have a proper outlet installed by a qualified electrician. If you are unsure whether the product is properly grounded, contact a qualified electrician.

Plug the power cord into an appropriate outlet that is properly installed and grounded in accordance with all local codes and ordinances.



The outlet must be on a nominal 120-volt circuit.

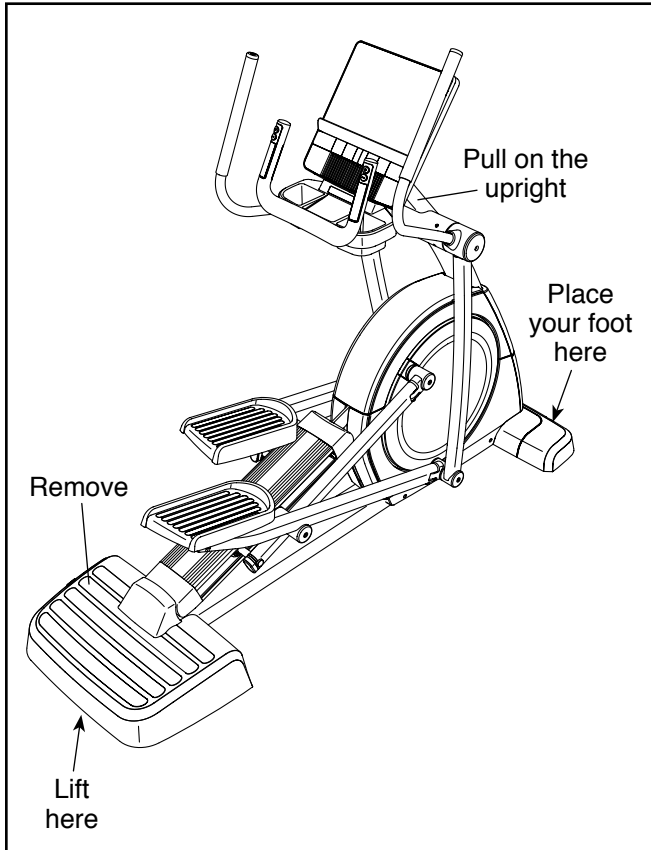
A temporary adapter may be used to connect the power cord to a 2-pole receptacle as shown at the right if a properly grounded outlet is not available.



The lug or wire extending from the adapter must be connected with a metal screw to a permanent ground such as a properly grounded outlet box cover. **Some 2-pole receptacle outlet box covers are not grounded. Before using an adapter, contact a qualified electrician to determine whether the outlet box cover is grounded before using an adapter. The temporary adapter should be used only until a properly grounded outlet can be installed by a qualified electrician.**

## HOW TO MOVE THE ELLIPTICAL

Due to the size and weight of the elliptical, moving it requires two persons. Remove the rear frame cover. Stand in front of the elliptical, hold the upright, and place one foot against one of the wheels. Pull on the upright and have a second person lift the rear of the frame until the elliptical will roll on the front wheels. Carefully move the elliptical to the desired location, and then lower it to the floor.

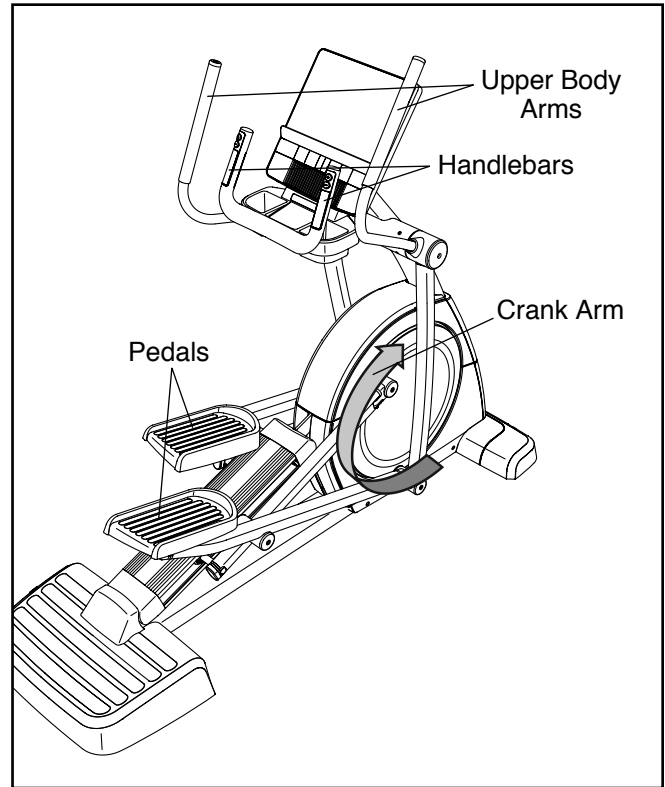


## HOW TO LEVEL THE ELLIPTICAL

If the elliptical rocks slightly on your floor during use, turn one or both of the leveling feet beneath the rear stabilizer until the rocking motion is eliminated.

## HOW TO EXERCISE ON THE ELLIPTICAL

To mount the elliptical, hold the upper body arms or the handlebars and step onto the pedal that is in the lower position. Then, step onto the other pedal. Push the pedals until they begin to move with a continuous motion. **Note: The crank arms can turn in either direction. It is recommended that you turn the crank arms in the direction shown by the arrow; however, for variety, you can turn the crank arms in the opposite direction.**

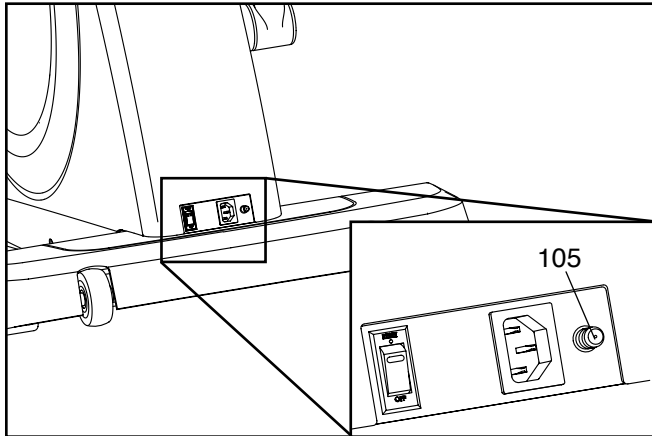


To dismount the elliptical, wait until the pedals come to a complete stop. **Note: The elliptical does not have a free wheel; the pedals will continue to move until the flywheel stops.** When the pedals are stationary, step off the higher pedal first. Then, step off the lower pedal.

## HOW TO CONNECT A CATV CABLE

If your elliptical has the 17" Digital TV, a CATV cable must be connected to the elliptical for cable TV stations to be viewed.

Locate the cable jack on the front of the elliptical. Connect the CATV cable to the TV Cable (105). Route the cable so that it will not be pinched or crushed by the elliptical.



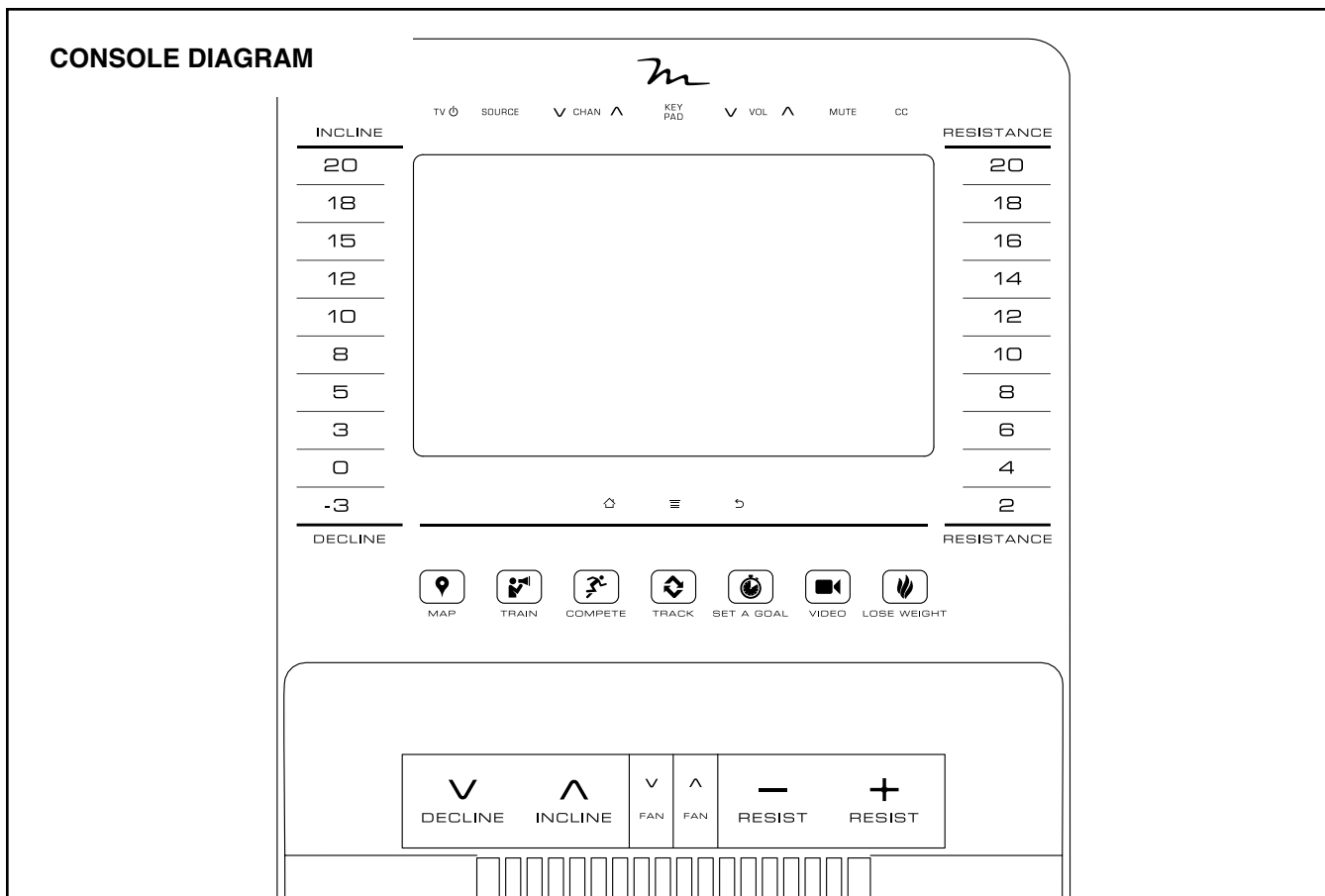
A satellite receiver, VCR, or DVD player can also be connected to the elliptical. Connect a CATV cable from the coaxial output on your equipment (usually labeled TV OUT or RF OUT) to the cable jack on the front of the elliptical.

Note: Audio/video equipment without coaxial outputs (some satellite receivers and DVD players) will require an RF modulator to work correctly. RF modulators are not available from FreeMotion Fitness, but are available at electronics stores. See the user's manual for the equipment you wish to connect to determine if an RF modulator is needed, or contact your local audio/video service provider.

## WARRANTY INFORMATION

The warranty for this product does not cover damage or equipment failure caused by electric wiring not in compliance with electrical codes or the specifications in this manual, or failure to provide reasonable and necessary maintenance as outlined in this manual. Any failure or damage caused by unauthorized service; misuse; accident; negligence; improper assembly or installation; debris resulting from any destruction activities in the product's environment; rust or corrosion as a result of the product's location; alterations or modifications without written authorization; or failure on your part to use, operate, and maintain the product as set forth in this manual will void the warranty.

**All terms of the warranty are void if this product is moved beyond the continental borders of the United States of America (excluding Alaska, Hawaii, and Canada) and are then subject to the terms provided by that country's local authorized FreeMotion Fitness, Inc. representative.**



## FEATURES OF THE CONSOLE

The console offers an impressive array of features designed to make your workouts more effective and enjoyable.

The console features revolutionary iFit technology that enables the console to communicate with your wireless network. With iFit technology, you can download personalized workouts, create your own workouts, track your workout results, and access many other features. **See [www.iFit.com](http://www.iFit.com) for complete information.**

In addition, the console features a selection of at least twenty-four onboard workouts and six iFit demo workouts. Each workout automatically controls the resistance of the pedals and the incline of the ramp as it guides you through an effective exercise session. You can also set a customized workout goal with the set-a-goal workout.

When you use the manual mode, you can change the resistance of the pedals and the incline of the ramp with the touch of a button.

As you exercise, the console will display instant exercise feedback. You can also measure your heart rate using the handgrip heart rate monitor or an optional Polar®-compatible chest heart rate monitor.

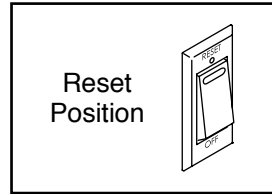
You can even browse the Internet or listen to your favorite workout music or audio books with the console sound system while you exercise.

**To turn on the power**, see page 14. **To learn how to use the touch screen**, see page 14. **To set up the console**, see page 15.

## HOW TO TURN ON THE POWER

**IMPORTANT:** If the elliptical has been exposed to cold temperatures, allow it to warm to room temperature before you turn on the power. If you do not do this, you may damage the console displays or other electrical components.

Plug in the power cord (see HOW TO PLUG IN THE POWER CORD on page 10). Next, locate the power switch on the frame near the power cord. Press the power switch to the reset position.



The display will then turn on and the console will be ready for use.

**Note:** When you turn on the power for the first time, the incline of the ramp may calibrate automatically. The ramp will move upward and downward as it calibrates. When the ramp stops moving, the ramp is calibrated.

**IMPORTANT:** If the incline of the ramp does not calibrate automatically, see step 4 on page 23 and manually calibrate the ramp.

## HOW TO USE THE TOUCH SCREEN

The console features a tablet with a full-color touch screen. The following information will help you become familiar with the tablet's advanced technology:

- The console functions similarly to other tablets. You can slide or flick your finger against the screen to move certain images on the screen, such as the displays in a workout (see step 4 on page 16). However, you cannot zoom in and out by sliding your fingers on the screen.
- The screen is not pressure sensitive. You do not need to press hard on the screen.
- To type information into a text box, touch the text box to view the keyboard. To use numbers or other characters on the keyboard, touch the ?123 button. To view more characters, touch the Alt button. Touch the Alt button again to return to the number keyboard. To return to the letter keyboard, touch the ABC button. To use a capital character, touch the button with an upward-facing arrow. To use multiple capital characters, touch the arrow button again. To return to the lowercase keyboard, touch the arrow button a third time. To clear the last character, touch the button with a backward-facing arrow and an X.

- Use these buttons on the console to navigate the tablet.



Press the back button to return to the previous screen. Press the home button to return to the main menu. Press the center button to access the audio source list (see HOW TO CHANGE THE AUDIO SOURCE on page 24).

## HOW TO SET UP THE CONSOLE

Before using the elliptical for the first time, set up the console.

### 1. Connect to your wireless network.

Note: To access the Internet, download iFit workouts, and use other features of the console, you must be connected to a wireless network. See HOW TO USE THE WIRELESS NETWORK MODE on page 23 to connect the console to your wireless network.

### 2. Check for firmware updates.

First, see step 1 on page 20 and step 2 on page 22 and select the maintenance mode. Then, see step 3 on page 22 and check for firmware updates.

### 3. Calibrate the incline of the ramp.

See step 4 on page 23 and calibrate the incline of the ramp.

### 4. Create an iFit account.

Touch the globe button near the lower-left corner of the screen and touch the iFit button.

Note: For information about navigating in the browser, see page 25. The browser will open to the iFit.com home page. Touch the Join iFit button in the upper-right corner of the screen.

The Internet browser will open to the iFit.com account creation page. Then, fill in the information fields on the screen to create your iFit account.

The console is now ready for you to begin working out. The following pages explain the various workouts and other features that the console offers.

**To use the manual mode**, see page 16. **To use an onboard workout**, see page 17. **To use a set-a-goal workout**, see page 18. **To use an iFit workout**, see page 19.

**To use the equipment settings mode**, see page 20. **To use the entertainment mode**, see page 22. **To use the maintenance mode**, see page 22. **To use the wireless network mode**, see page 23. **To use the sound system**, see page 24. **To change the audio source**, see page 24. **To use the Internet browser**, see page 25.

Note: If there is a sheet of plastic on the display, remove the plastic.

Note: The console can display speed and distance in either miles or kilometers. To find which unit of measurement is selected, see step 8 on page 21. For simplicity, all instructions in this section refer to miles.

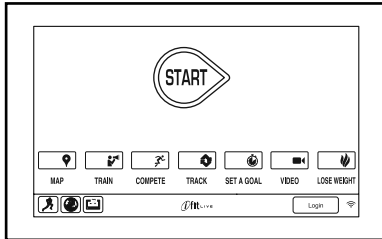
## HOW TO USE THE MANUAL MODE

1. **Begin pedaling or press any button on the console to turn on the console.**

See HOW TO TURN ON THE POWER on page 14. **Note: It may take a minute for the console to be ready for use.**

2. **Select the main menu.**

When you turn on the console, the main menu will appear on the screen after the console boots up.



**Note:** Touch the home button in the lower-left corner of the screen (not shown here) to return to the main menu at any time.

3. **Change the resistance of the pedals and the incline of the ramp as desired.**

As you pedal, you can change the resistance of the pedals. To change the resistance, press one of the numbered Resistance buttons or press the Resist increase and decrease buttons located on the console or on the right handlebar.

**Note:** After you press a button, it will take a moment for the pedals to reach the selected resistance level.

To vary the motion of the pedals, you can change the incline of the ramp. To change the incline, press one of the numbered Incline/Decline buttons or press the Incline/Decline increase and decrease buttons located on the console or on the left handlebar.

**Note:** After you press a button, it will take a moment for the ramp to reach the selected incline level.

4. **Follow your progress.**

The console offers several display modes. The display mode that you select will determine which workout information is shown.

To select the desired display mode, simply flick or slide the screen. You can also view additional workout information by touching the red boxes on the screen.

If desired, adjust the volume level by pressing the Vol increase and decrease buttons on the console.

To pause the workout, touch one of the menu buttons on the screen. To continue the workout, touch the Resume button. To end the workout session, touch the End Workout button.

5. **Measure your heart rate if desired.**

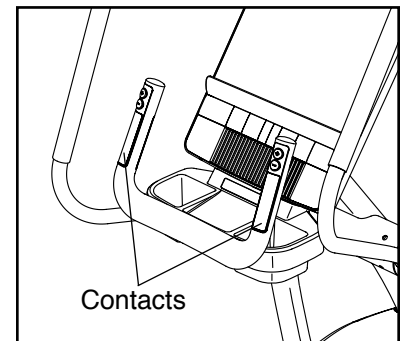
You can wear an optional Polar-compatible chest heart rate monitor or you can use the handgrip heart rate monitor to measure your heart rate.

**IMPORTANT: If you use both heart rate monitors at the same time, the console will not display your heart rate accurately.**

To use the handgrip heart rate monitor, follow the instructions below.

**If there are sheets of plastic on the metal contacts on the handgrip heart rate monitor, remove the plastic.**

To measure your heart rate, hold the handgrip heart rate monitor with your palms resting against the contacts. **Avoid moving your hands or gripping the contacts tightly.**



When your pulse is detected, your heart rate will be shown. **For the most accurate heart rate reading, hold the contacts for at least 15 seconds.**

If the display does not show your heart rate, make sure that your hands are positioned as described. Be careful not to move your hands excessively or to squeeze the contacts tightly. For optimal performance, clean the contacts using a soft cloth; **never use alcohol, abrasives, or chemicals to clean the contacts.**

#### 6. Turn on the fan if desired.

The fan has several speed settings, including an auto mode. While the auto mode is selected, the speed of the fan will automatically increase or decrease as you increase or decrease your pedaling speed.

Press the Fan increase and decrease buttons repeatedly to select a fan speed or to turn off the fan.

Note: If the pedals do not move for a while, the fan will turn off automatically.

#### 7. When you are finished exercising, unplug the power cord.

When you are finished exercising, touch the home button or the back button. A workout summary will appear on the screen. After you view the workout summary, touch the Finish button to return to the main menu. You may also be able to either save or publish your results using one of the options on the screen.

Press the power switch to the off position and unplug the power cord. **IMPORTANT: If you do not do this, the electrical components on the elliptical may wear prematurely.**

## HOW TO USE AN ONBOARD WORKOUT

### 1. Begin pedaling or press any button on the console to turn on the console.

See HOW TO TURN ON THE POWER on page 14.

### 2. Select the main menu.

See step 2 on page 16.

### 3. Select an onboard workout.

To select an onboard workout, touch the runner button in the lower left corner of the screen. The workouts menu will appear on the screen.

Select the desired workout category from the workouts menu and then select the desired workout. The screen will show the name, duration, and distance of the workout. The screen will also show the approximate number of calories you will burn during the workout and a profile of the resistance settings of the workout.

### 4. Start the workout.

Touch the Start Workout button to start the workout.

Each workout is divided into segments. One resistance level, one ramp incline level, and one target rpm (speed) are programmed for each segment.

During the workout, the profiles will show your progress. To view the profiles, flick or slide the screen.

As you exercise, keep your pedaling speed near the target rpm for the current segment. The target zone meter will prompt you to increase, decrease, or maintain your pedaling speed. To view the target zone meter, flick or slide the screen.

**IMPORTANT: The target rpm is intended only to provide motivation. Your actual pedaling speed may be slower than the target rpm. Make sure to pedal at a speed that is comfortable for you.**

If the resistance level and/or incline level for the current segment is too high or too low, you can manually override the setting by pressing the Resistance buttons or the Incline/Decline buttons. **If you press a Resistance button**, you can then manually control the resistance (see step 3 on page 16). **If you press an Incline/Decline button**, you can then manually control the incline (see step 3 on page 16). **To return to the programmed resistance and/or incline settings of the workout**, first, view the profile. Then, touch the Follow Workout button.

**Note: The calorie goal is an estimate of the number of calories that you will burn during the workout. The actual number of calories that you burn will depend on various factors, such as your weight. In addition, if you manually change the resistance or incline of the ramp during the workout, the number of calories you burn will be affected.**

To pause the workout, touch either the back button or the home button at the bottom of the screen. To continue the workout, touch the Resume button. To end the workout, touch the End Workout button.

The workout will continue in this way until the last segment ends. A workout summary will appear on the screen. After you view the workout summary, touch the Finish button to return to the main menu. You may also be able to either save or publish your results using one of the options on the screen.

**5. Follow your progress.**

See step 4 on page 16.

**6. Measure your heart rate if desired.**

See step 5 on page 16.

**7. Turn on the fan if desired.**

See step 6 on page 17.

**8. When you are finished exercising, unplug the power cord.**

See step 7 on page 17.

## HOW TO USE A SET-A-GOAL WORKOUT

**1. Begin pedaling or press any button on the console to turn on the console.**

See HOW TO TURN ON THE POWER on page 14.

**2. Select the main menu.**

See step 2 on page 16.

**3. Select a set-a-goal workout.**

To select a set-a-goal workout, touch the Set A Goal button on the screen or press the Set A Goal button on the console.

To set a customized goal for your workout, touch the button for the desired goal. Then, touch the increase and decrease buttons on the screen to enter your goal and to select other variables for the workout. The screen will show the duration and distance of the workout, and the approximate number of calories you will burn during the workout.

**4. Start the workout.**

Touch the Start button to start the workout.

The workout will function in the same way as the manual mode (see page 16).

As you exercise, keep your pedaling speed near the target rpm. The target zone meter will prompt you to increase, decrease, or maintain your pedaling speed. To view the target zone meter, flick or slide the screen.

**IMPORTANT: The target rpm is intended only to provide motivation. Your actual pedaling speed may be slower than the target rpm. Make sure to pedal at a speed that is comfortable for you.**

The workout will continue until you reach the goal that you set. A workout summary will appear on the screen. After you view the workout summary, touch the Finish button to return to the main menu. You may also be able to either save or publish your results using one of the options on the screen.

**Note: The calorie goal is an estimate of the number of calories that you will burn during the workout. The actual number of calories that you burn will depend on various factors, such as your weight. In addition, if you manually change the resistance or incline of the ramp during the workout, the number of calories you burn will be affected.**

**5. Follow your progress.**

See step 4 on page 16.

**6. Measure your heart rate if desired.**

See step 5 on page 16.

**7. Turn on the fan if desired.**

See step 6 on page 17.

**8. When you are finished exercising, unplug the power cord.**

See step 7 on page 17.

## HOW TO USE AN IFIT WORKOUT

Note: To use an iFit workout, you must have access to a wireless network (see HOW TO USE THE WIRELESS NETWORK MODE on page 23). An iFit account is also required.

**1. Begin pedaling or press any button on the console to turn on the console.**

See HOW TO TURN ON THE POWER on page 14.

**2. Select the main menu.**

See step 2 on page 16.

**3. Log in to your iFit account.**

If you have not already done so, touch the Login button to log in to your iFit account. The screen will ask for your iFit.com username and password. Enter them and touch the Login button. Touch the Cancel button to exit the login screen.

To switch users within your iFit account, touch the user button at the bottom of the screen. If more than one user is associated with the account, a list of users will appear. Touch the name of the desired user.

**4. Select an iFit workout.**

To download an iFit workout in your schedule, touch the Map, Train, Video, or Lose Weight button to download the next workout of that type in your schedule. Note: You may be able to access demo workouts through these options, even if you do not log in to an iFit account.

To compete in a race that you have previously scheduled, touch the Compete button. To view your Workout History, touch the Track button. To use a set-a-goal workout, touch the Set A Goal button (see page 18). Note: You can also press one of the iFit buttons on the console.

Before some workouts will download, you must add them to your schedule on iFit.com.

**For more information about the iFit workouts, please see [www.iFit.com](http://www.iFit.com).**

When you select an iFit workout, the screen will show the name, duration, and distance of the workout. The screen will also show the approximate number of calories you will burn during the workout. If you select a competition workout, the display will count down to the beginning of the race.

**5. Start the workout.**

See step 4 on page 17.

During some workouts, the voice of a personal trainer will guide you through your workout (see HOW TO USE THE SOUND SYSTEM on page 24).

**6. Follow your progress.**

See step 4 on page 16. The screen may also show a map of the trail you are walking or running.

During a competition workout, the screen will show the speeds of the racers and the distances they have traveled. The screen will also show the numbers of seconds that the other racers are ahead of you or behind you.

**7. Measure your heart rate if desired.**

See step 5 on page 16.

**8. Turn on the fan if desired.**

See step 6 on page 17.

**9. When you are finished exercising, unplug the power cord.**

See step 7 on page 17.

**For more information about the iFit mode, go to [www.iFit.com](http://www.iFit.com).**

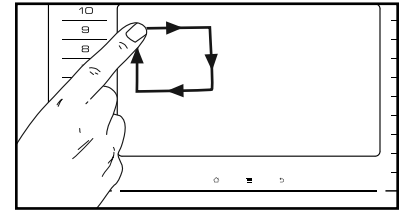
**HOW TO USE THE EQUIPMENT SETTINGS MODE**

The console features an equipment settings mode that allows you to change various settings for the elliptical.

**1. Select the settings main menu.**

First, turn on the console and select the main menu (see steps 1 and 2 on page 16).

Then, draw a square clockwise on the screen to access the settings main menu.



**2. Select the equipment settings mode.**

In the settings main menu, touch the Equipment Settings button.

**3. Select a language.**

To select a language, touch the Language button and select the desired language. Then, touch the back button to return to the equipment settings mode. Note: This feature may not be enabled.

**4. Select a timezone.**

To select a timezone, touch the Timezone button. Select your local timezone to have the console sync to your local time. Then, touch the back button.

**5. Turn on or turn off the display demo mode.**

The console features a display demo mode, designed to be used if the elliptical is displayed in a store. While the demo mode is turned on, the screen will show a demo presentation.

To turn on or turn off the display demo mode, first touch the Demo Mode button. Next, touch the On checkbox or the Off checkbox. Then, touch the back button.

## 6. Enable or disable the Internet browser.

You can disable the Internet browser, which will help to restrict the bandwidth used on your wireless network.

To enable or disable the Internet browser, first touch the Browser button. Next, touch the Enable checkbox or the Disable checkbox. Then, touch the back button.

## 7. Set a time for the reset timeout.

The console features an automatic reset feature; if no buttons are touched or pressed and the pedals do not move for a set amount of time, the console will automatically reset.

To set the amount of time the console will wait before it automatically resets, first touch the Reset Timeout button to view a list of times. Next, select the amount of time desired. Then, touch the back button.

## 8. Select the unit of measurement.

To view the selected unit of measurement, touch the US/Metric button. Next, touch the checkbox for the desired unit of measurement. Then, touch the back button.

## 9. Select an update time.

To select a time for automatic console updates, touch the Update Time button and select the desired time. Then, touch the back button.

**IMPORTANT: You must still unplug the power cord after using the elliptical. Set the update time for a time when you normally use the elliptical and will be available to unplug the power cord after an update.**

## 10. Enable or disable street view.

You can disable the street view for maps workouts, which will help to restrict the bandwidth used on your wireless network.

To enable or disable the street view, first touch the Street View button. Next, touch the Enable checkbox or the Disable checkbox. Then, touch the back button.

## 11. Set a workout time limit.

You can set a time limit for workouts to help restrict the amount of time each user spends on the elliptical.

To set a workout time limit, touch the Workout Time Limit button. To enable the workout time limit, touch the Enable checkbox. Then, touch the increase and decrease buttons to select the amount of time allowed for each user. Then, touch the back button.

During any workout, the console will notify you when only ten seconds remain until the time limit. When the time limit is reached, the workout will automatically end.

## 12. Exit the equipment settings mode.

To exit the equipment settings mode, touch the back button.

## HOW TO USE THE ENTERTAINMENT MODE

The console features an entertainment mode that allows you to connect the console to a remote TV.

If you purchase the 17" Digital TV (see page 9), please see the manual included with the 17" Digital TV to learn how to use the entertainment mode to set up the personal 17" Digital TV.

### 1. Select the settings main menu.

See step 1 on page 20.

### 2. Select the entertainment mode.

In the settings main menu, touch the Entertainment button to enter the entertainment mode.

### 3. Set up a personal TV if desired.

Touch the Personal Settings button to view options for setting up the console to operate with the 17" Digital TV or other compatible personal TV.

Touch the Default Settings button and then select a default channel and a default volume if desired.

Touch the Custom Settings button and then select your TV type from the drop-down list if necessary. Use the TV setup controls as a remote control for the personal TV if desired.

Note: When the console is used with a personal TV, make sure that Personal TV is selected as the audio source (see HOW TO CHANGE THE AUDIO SOURCE on page 24).

### 4. Exit the entertainment mode.

To exit the entertainment mode, touch the back button.

## HOW TO USE THE MAINTENANCE MODE

The console features a maintenance mode that allows you to update the console firmware, calibrate the incline of the ramp, view machine information, view a button's keycode, register the elliptical, and enter a club token.

### 1. Select the settings main menu.

See step 1 on page 20.

### 2. Select the maintenance mode.

In the settings main menu, touch the Maintenance button to enter the maintenance mode.

The maintenance mode main screen will show information about the model and version of the console.

### 3. Update the console firmware.

**For the best results, regularly check for firmware updates.**

Touch the Firmware Update button to check for firmware updates using your wireless network. The update will begin automatically.

**To avoid damaging the elliptical, do not turn off the power while the firmware is being updated.**

Note: Occasionally, a firmware update may cause your console to function slightly differently. These updates are always designed to improve your exercise experience.

The screen will show the progress of the update. When the update is complete, the elliptical will turn off and then turn back on. If it does not, press the power switch into the off position. Wait for several seconds, and then press the power switch into the reset position. Note: It may take a few minutes for the console to be ready for use.

#### 4. Calibrate the incline of the ramp.

Touch the Calibrate Incline button. Then, touch the Begin button to calibrate the incline of the ramp. The ramp will automatically rise to the maximum incline level, lower to the minimum incline level, and then return to the starting position. This will calibrate the incline. Press the Cancel button to cancel the calibration and return to the maintenance mode. When the incline is calibrated, touch the Finish button.

**IMPORTANT: Keep pets, feet, and other objects away from the elliptical while the incline is calibrating.**

#### 5. View machine information.

Touch the Machine Info button to view information about your elliptical. After you view the information, touch the back button.

#### 6. Find keycodes.

This option is intended to be used by service technicians to identify whether a certain button is working correctly.

#### 7. Register the elliptical on iFit.com.

This option is intended to be used by the owner of the elliptical to view and track the usage history of the elliptical on iFit.com.

Touch the Register Equipment button, enter your club token, and then touch the Submit button.

#### 8. Enter club token.

This option is intended to be used by the owner of the elliptical. Touch the Enter Token button, enter your club token, and then touch the Submit button.

#### 9. Exit the maintenance mode.

To exit the maintenance mode, press the back button.

## HOW TO USE THE WIRELESS NETWORK MODE

The console features a wireless network mode that allows you to set up a wireless network connection.

Note: You must have your own wireless network and an 802.11b/g/n router with SSID broadcast enabled (hidden networks are not supported).

#### 1. Select the settings main menu.

See step 1 on page 20.

#### 2. Select the wireless network mode.

In the settings main menu, touch the Network Setup button and then touch the Wireless Network button to enter the wireless network mode.

#### 3. Enable Wi-Fi.

Make sure that the Wi-Fi checkbox is marked with a green checkmark. If it is not, touch the Wi-Fi menu option once and wait for a few seconds. The console will search for available wireless networks.

#### 4. Set up and manage a wireless network connection.

When Wi-Fi is enabled, the screen will show a list of available networks. Note: It may take several seconds for the list of wireless networks to appear.

Make sure that the checkbox on the Network notification menu option is marked with a green checkmark to have the console notify you when a wireless network is within range and available.

Note: You must have your own wireless network and an 802.11b/g/n router with SSID broadcast enabled (hidden networks are not supported).

When a list of networks appears, touch the desired network. Note: You will need to know your network name (SSID). If your network has a password, you will also need to know the password.

An information box will ask if you want to connect to the wireless network. Touch the Connect button to connect to the network or touch the Cancel button to return to the list of networks. If the network has a password, touch the password entry box. A keyboard will appear on the screen. To view the password as you type it, touch the Show Password checkbox.

To use the keyboard, see HOW TO USE THE TOUCH SCREEN on page 14.

When the console is connected to your wireless network, the WiFi menu option at the top of the screen will display the word CONNECTED. Then, press the back button to return to the wireless network mode.

To disconnect from a wireless network, select the wireless network and then touch the Forget button.

If you are having problems connecting to an encrypted network, make sure that your password is correct. Note: Passwords are case-sensitive.

Note: The iFit mode supports unsecured and secured (WEP, WPA, and WPA2) encryption. A broadband connection is recommended; performance depends on connection speed.

**Note: If you have questions after following these instructions, go to [support.iFit.com](http://support.iFit.com) for assistance.**

## 5. Exit the wireless network mode.

To exit the wireless network mode, press the back button.

## HOW TO USE THE SOUND SYSTEM

To listen to the console audio, remote TV audio, or personal 17" digital TV audio with your personal headphones or ear buds, plug your headphones into the audio jack on the console and select an audio source (see HOW TO CHANGE THE AUDIO SOURCE at the right). Note: This audio jack is for audio output only.

## HOW TO USE AN IPOD WITH THE SOUND SYSTEM

This console has been designed specifically to work with iPod® and has been certified by the developer to meet Apple performance standards.

To listen to music or audio books with your iPod, connect your iPod to the cable extending from the console. The console will charge your iPod while you use it.

**Make sure that the iPod is fully plugged in.**

Next, press the play button on your iPod. Adjust the volume by pressing the Vol increase and decrease buttons on the console.

Note: To listen to the console audio, remote TV audio, or personal 17" digital TV audio, plug your headphones into the audio jack on the console. Then, to listen to your iPod, select iPod as the audio source (see HOW TO CHANGE THE AUDIO SOURCE below).

## HOW TO CHARGE A DEVICE

Plug an MP3 player, smartphone, or other USB device into the USB port on the front of the console to charge your device.

Connect an iPod to the cable extending from the console to charge your iPod.

## HOW TO CHANGE THE AUDIO SOURCE

To select a different audio source, touch the music notes button at the bottom of the screen. Then, choose an audio source from the list.

### 1. Personal TV.

Select this audio source to listen to the audio from the personal 17" Digital TV. Note: The console must have a 17" Digital TV for this option to function (see page 9).

### 2. iPod.

Select this audio source to listen to your iPod (see HOW TO USE AN IPOD WITH THE SOUND SYSTEM above).

## HOW TO USE THE INTERNET BROWSER

Note: To use the browser, you must have access to a wireless network including an 802.11b/g/n router with SSID broadcast enabled (hidden networks are not supported).

To open the browser, touch the globe button near the lower left corner of the screen. Then, select a website.

To navigate the Internet browser, touch the Back, Refresh, and Forward buttons on the screen. To exit the Internet browser, touch the Return button on the screen.

To use the keyboard, see HOW TO USE THE TOUCH SCREEN on page 14.

To enter a different web address in the URL bar, first slide your finger down the screen to view the URL bar, if necessary. Then, touch the URL bar, use the keyboard to enter the address, and touch the Go button on the keyboard.

Note: While you are using the browser, the resistance, incline, fan, and volume buttons will still function, but the workout buttons will not function.

**Note: If you have questions after following these instructions, go to [support.iFit.com](http://support.iFit.com) for assistance.**

---

## MAINTENANCE AND TROUBLESHOOTING

Inspect and tighten all parts of the elliptical regularly. Replace any worn parts immediately.

To clean the elliptical, use a damp cloth and a small amount of mild soap. **IMPORTANT: To avoid damage to the console, keep liquids away from the console and keep the console out of direct sunlight.**

### CONSOLE TROUBLESHOOTING

If the console does not display your heart rate when you hold the handgrip heart rate monitor, or if the displayed heart rate appears to be too high or too low, see step 5 on page 16.

---

## FCC INFORMATION

This equipment has been tested and found to comply with the limits for a Class B digital device, pursuant to part 15C of the FCC Rules. These limits are designed to provide reasonable protection against harmful interference in a residential installation. This equipment generates, uses, and can radiate radio frequency energy and, if not installed and used in accordance with the instructions, may cause harmful interference to radio communications. However, there is no guarantee that interference will not occur in a particular installation. If this equipment does cause harmful interference to radio or television reception, which can be determined by turning the equipment off and on, try to correct the interference by one or more of the following measures:

- Reorient or relocate the receiving antenna.
- Increase the separation between the equipment and the receiver.
- Connect the equipment into an outlet on a circuit different from that to which the receiver is connected.
- Consult the dealer or an experienced radio/TV technician for help.

**FCC CAUTION: To assure continued compliance, use only shielded interface cables when connecting to computer or peripheral devices. Changes or modifications not expressly approved by the party responsible for compliance could void the user's authority to operate this equipment.**

**IMPORTANT: To satisfy exposure compliance requirements, the antenna and transmitter in the console must be at least 8 in. (20 cm) from all persons and must not be near or connected to any other antenna or transmitter.**

**Note: The console contains FCC ID: OMC310372.**

# EXERCISE GUIDELINES

**⚠️ WARNING:** Before beginning this or any exercise program, consult your physician. This is especially important for persons over age 35 or persons with pre-existing health problems.

The heart rate monitor is not a medical device. Various factors may affect the accuracy of heart rate readings. The heart rate monitor is intended only as an exercise aid in determining heart rate trends in general.

These guidelines will help you to plan your exercise program. For detailed exercise information, obtain a reputable book or consult your physician. Remember, proper nutrition and adequate rest are essential for successful results.

## EXERCISE INTENSITY

Whether your goal is to burn fat or to strengthen your cardiovascular system, exercising at the proper intensity is the key to achieving results. You can use your heart rate as a guide to find the proper intensity level. The chart below shows recommended heart rates for fat burning and aerobic exercise.

|       |     |     |     |     |     |     |    |
|-------|-----|-----|-----|-----|-----|-----|----|
| 165   | 155 | 145 | 140 | 130 | 125 | 115 | ❤️ |
| 145   | 138 | 130 | 125 | 118 | 110 | 103 | ❤️ |
| 125   | 120 | 115 | 110 | 105 | 95  | 90  | ❤️ |
| <hr/> |     |     |     |     |     |     |    |
| 20    | 30  | 40  | 50  | 60  | 70  | 80  |    |

To find the proper intensity level, find your age at the bottom of the chart (ages are rounded off to the nearest ten years). The three numbers listed above your age define your “training zone.” The lowest number is the heart rate for fat burning, the middle number is the heart rate for maximum fat burning, and the highest number is the heart rate for aerobic exercise.

**Burning Fat**—To burn fat effectively, you must exercise at a low intensity level for a sustained period of time. During the first few minutes of exercise, your body uses carbohydrate calories for energy. Only after the first few minutes of exercise does your body begin to use stored fat calories for energy. If your goal is to burn fat, adjust the intensity of your exercise until your heart rate is near the lowest number in your training zone. For maximum fat burning, exercise with your heart rate near the middle number in your training zone.

**Aerobic Exercise**—If your goal is to strengthen your cardiovascular system, you must perform aerobic exercise, which is activity that requires large amounts of oxygen for prolonged periods of time. For aerobic exercise, adjust the intensity of your exercise until your heart rate is near the highest number in your training zone.

## WORKOUT GUIDELINES

**Warming Up**—Start with 5 to 10 minutes of stretching and light exercise. A warm-up increases your body temperature, heart rate, and circulation in preparation for exercise.

**Training Zone Exercise**—Exercise for 20 to 30 minutes with your heart rate in your training zone. (During the first few weeks of your exercise program, do not keep your heart rate in your training zone for longer than 20 minutes.) Breathe regularly and deeply as you exercise; never hold your breath.

**Cooling Down**—Finish with 5 to 10 minutes of stretching. Stretching increases the flexibility of your muscles and helps to prevent post-exercise problems.

## EXERCISE FREQUENCY

To maintain or improve your condition, complete three workouts each week, with at least one day of rest between workouts. After a few months of regular exercise, you may complete up to five workouts each week, if desired. Remember, the key to success is to make exercise a regular and enjoyable part of your everyday life.

# PART LIST

Model No. HF-XT9800-1.2 R0713A

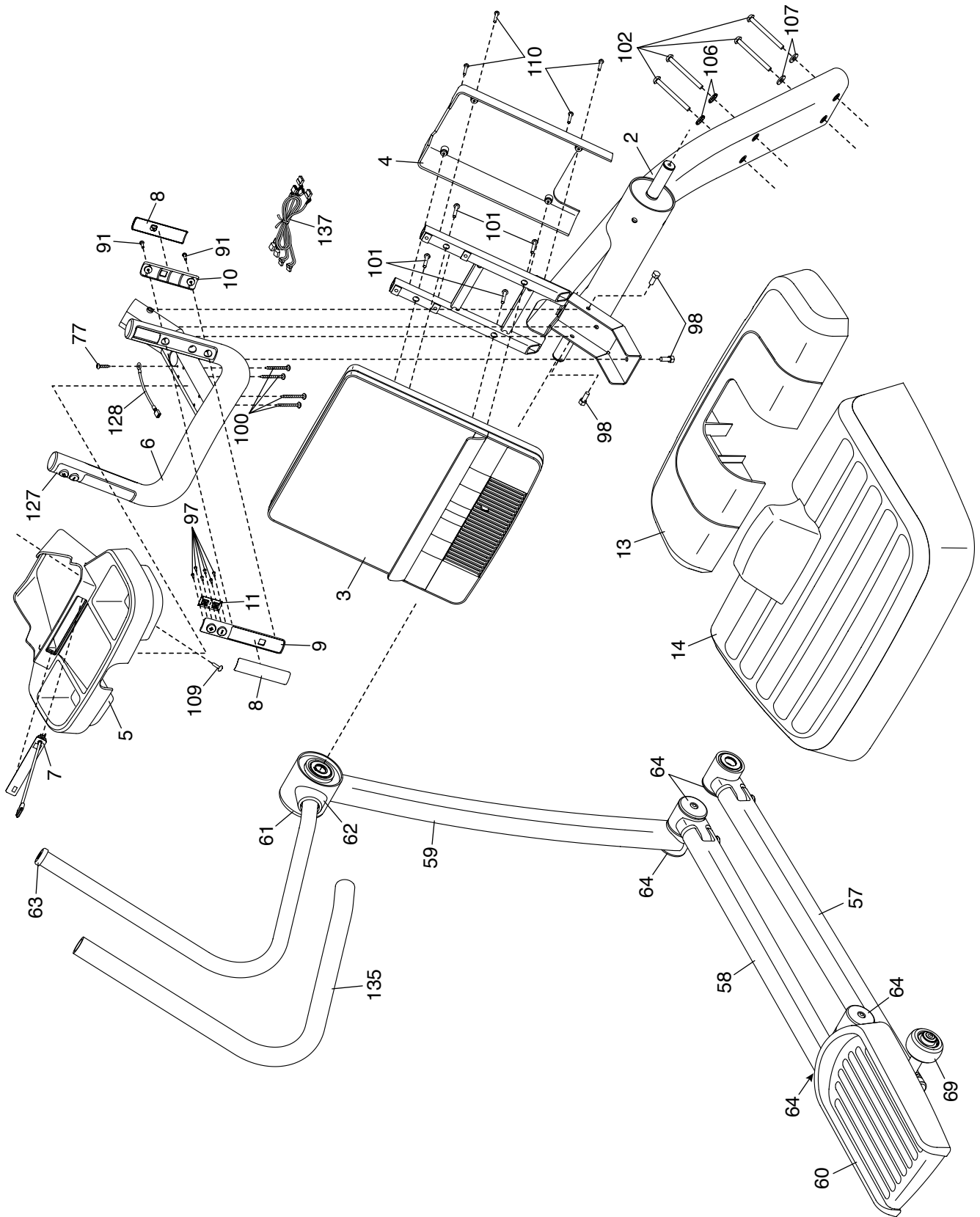
| Key No. | Qty. | Description            | Key No. | Qty. | Description            |
|---------|------|------------------------|---------|------|------------------------|
| 1       | 1    | Frame                  | 46      | 2    | Disc                   |
| 2       | 1    | Upright                | 47      | 2    | Ring                   |
| 3       | 1    | Console                | 48      | 1    | Left Shield            |
| 4       | 1    | Console Back           | 49      | 1    | Right Shield           |
| 5       | 1    | Accessory Tray         | 50      | 2    | Crank Arm Cover        |
| 6       | 1    | Pulse Bar              | 51      | 1    | Front Shield           |
| 7       | 1    | Media Module           | 52      | 1    | Top Shield             |
| 8       | 4    | Sensor Plate           | 53      | 1    | Right Roller Arm       |
| 9       | 1    | Resistance Pulse Cover | 54      | 1    | Right Pedal Arm        |
| 10      | 2    | Rear Pulse Cover       | 55      | 1    | Right Upper Body Arm   |
| 11      | 2    | Control Switch         | 56      | 1    | Right Pedal            |
| 12      | 2    | Ground Wire            | 57      | 1    | Left Roller Arm        |
| 13      | 1    | Front Frame Cover      | 58      | 1    | Left Pedal Arm         |
| 14      | 1    | Rear Frame Cover       | 59      | 1    | Left Upper Body Arm    |
| 15      | 1    | Ramp                   | 60      | 1    | Left Pedal             |
| 16      | 1    | Top Ramp Cover         | 61      | 2    | Pivot Cover            |
| 17      | 1    | Front Ramp Cover       | 62      | 2    | Body Arm Cover         |
| 18      | 1    | Rear Ramp Cover        | 63      | 2    | Body Arm Cap           |
| 19      | 1    | Lift Bracket           | 64      | 10   | Bearing Cover          |
| 20      | 1    | Ramp Bracket           | 65      | 20   | Bearing                |
| 21      | 1    | Axle                   | 66      | 2    | Roller Arm Cap         |
| 22      | 2    | Ramp Bushing           | 67      | 2    | Pedal Arm Cap          |
| 23      | 1    | Ramp Connector         | 68      | 2    | Roller Spacer          |
| 24      | 2    | Pillow Block           | 69      | 2    | Roller                 |
| 25      | 1    | Lift Motor             | 70      | 14   | Snap Ring              |
| 26      | 1    | Key                    | 71      | 18   | Thrust Washer          |
| 27      | 1    | Control Board          | 72      | 8    | Wave Washer            |
| 28      | 1    | Power Board            | 73      | 4    | 1/4" x 3 1/4" Screw    |
| 29      | 1    | Eddy Mechanism/Screw   | 74      | 4    | 1/4" x 2" Screw        |
| 30      | 2    | Leveling Foot          | 75      | 2    | 3/8" x 2 1/4" Bolt     |
| 31      | 3    | Foot                   | 76      | 6    | 3/8" Jam Nut           |
| 32      | 4    | Wheel Bearing          | 77      | 11   | #8 x 1/2" Screw        |
| 33      | 1    | Power Bracket          | 78      | 8    | Standoff               |
| 34      | 1    | Power Switch           | 79      | 8    | #4 x 3/16" Screw       |
| 35      | 1    | Power Receptacle       | 80      | 16   | 1/4" x 3/8" Screw      |
| 36      | 1    | Pulley                 | 81      | 6    | 5/16" x 1 1/4" Screw   |
| 37      | 2    | Magnet                 | 82      | 8    | #8 x 1/2" Pedal Screw  |
| 38      | 1    | Crank/Crank Arm        | 83      | 1    | 1/4" x 3/4" Screw      |
| 39      | 1    | Crank Arm              | 84      | 1    | 3/8" x 3 1/2" Bolt     |
| 40      | 1    | Drive Belt             | 85      | 4    | 3/8" x 1" Screw        |
| 41      | 2    | Wheel                  | 86      | 1    | 5/16" x 1/2" Screw     |
| 42      | 1    | Reed Switch            | 87      | 4    | 1/4" x 1" Socket Screw |
| 43      | 1    | Crank Spacer           | 88      | 1    | 3/8" x 1 3/4" Bolt     |
| 44      | 4    | Lift Motor Bushing     | 89      | 2    | 1/2" x 13/16" Screw    |
| 45      | 4    | Wheel Spacer           | 90      | 6    | 1/4" x 1/2" Screw      |

| Key No. | Qty. | Description                    | Key No. | Qty. | Description             |
|---------|------|--------------------------------|---------|------|-------------------------|
| 91      | 9    | #8 x 1/2" Screw                | 119     | 4    | #10 Locknut             |
| 92      | 4    | #8 x 1" Screw                  | 120     | 2    | #6 x 3/8" Screw         |
| 93      | 8    | #10 x 3/8" Screw               | 121     | 2    | #6 Locknut              |
| 94      | 5    | 3/8" x 2 1/2" Screw            | 122     | 1    | Ramp Pivot Bracket      |
| 95      | 2    | 1/4" x 1 1/4" Screw            | 123     | 4    | Arm Pivot Bracket       |
| 96      | 2    | 1/4" x 1" Screw                | 124     | 8    | Pivot Bracket Bearing   |
| 97      | 12   | #6 x 3/16" Screw               | 125     | 4    | Pivot Shoulder Screw    |
| 98      | 3    | 5/16" x 3/4" Screw             | 126     | 4    | Flange Screw            |
| 99      | 2    | 1/2" Flat Washer               | 127     | 1    | Incline Pulse Cover     |
| 100     | 4    | #8 x 2" Screw                  | 128     | 1    | Console Ground Wire     |
| 101     | 4    | #8-32 x 1/2" Screw             | 129     | 4    | #8 Star Washer          |
| 102     | 4    | 5/16" x 5" Screw               | 130     | 8    | #4 x 3/16" Screw        |
| 103     | 1    | Main Wire Harness              | 131     | 4    | Upper Arm Pivot Bushing |
| 104     | 1    | Power Cord                     | 132     | 4    | Lower Arm Pivot Bushing |
| 105     | 1    | TV Cable                       | 133     | 2    | Disc Cap                |
| 106     | 2    | 3/8" Star Washer               | 134     | 2    | Disc Cap Screw          |
| 107     | 2    | 3/8" Flat Washer               | 135     | 2    | Foam Grip               |
| 108     | 2    | 5/16" x 1 1/4" Flat Head Screw | 136     | 2    | Crank Washer            |
| 109     | 1    | #8 x 3/4" Screw                | 137     | 1    | Pulse Bar Wire          |
| 110     | 4    | #8-32 x 3/4" Screw             | 138     | 1    | 3/8" Locknut            |
| 111     | 2    | 5/16" x 27 3/4" Bolt           | 139     | 2    | 1/4" Fender Washer      |
| 112     | 4    | 5/16" Nut                      | *       | -    | Console Fan Bracket     |
| 113     | 1    | Left Eddy Bracket              | *       | -    | Book Rack               |
| 114     | 1    | Right Eddy Bracket             | *       | -    | Pulse Receiver          |
| 115     | 1    | Sensor Bracket                 | *       | -    | Fan Grill               |
| 116     | 1    | Motor Bracket                  | *       | -    | Fan Grill Cover         |
| 117     | 1    | Resistance Motor               | *       | -    | Assembly Tool           |
| 118     | 4    | #10 x 1/2" Screw               | *       | -    | User's Manual           |

Note: Specifications are subject to change without notice. For information about ordering replacement parts, see the back cover of this manual. \*These parts are not illustrated.

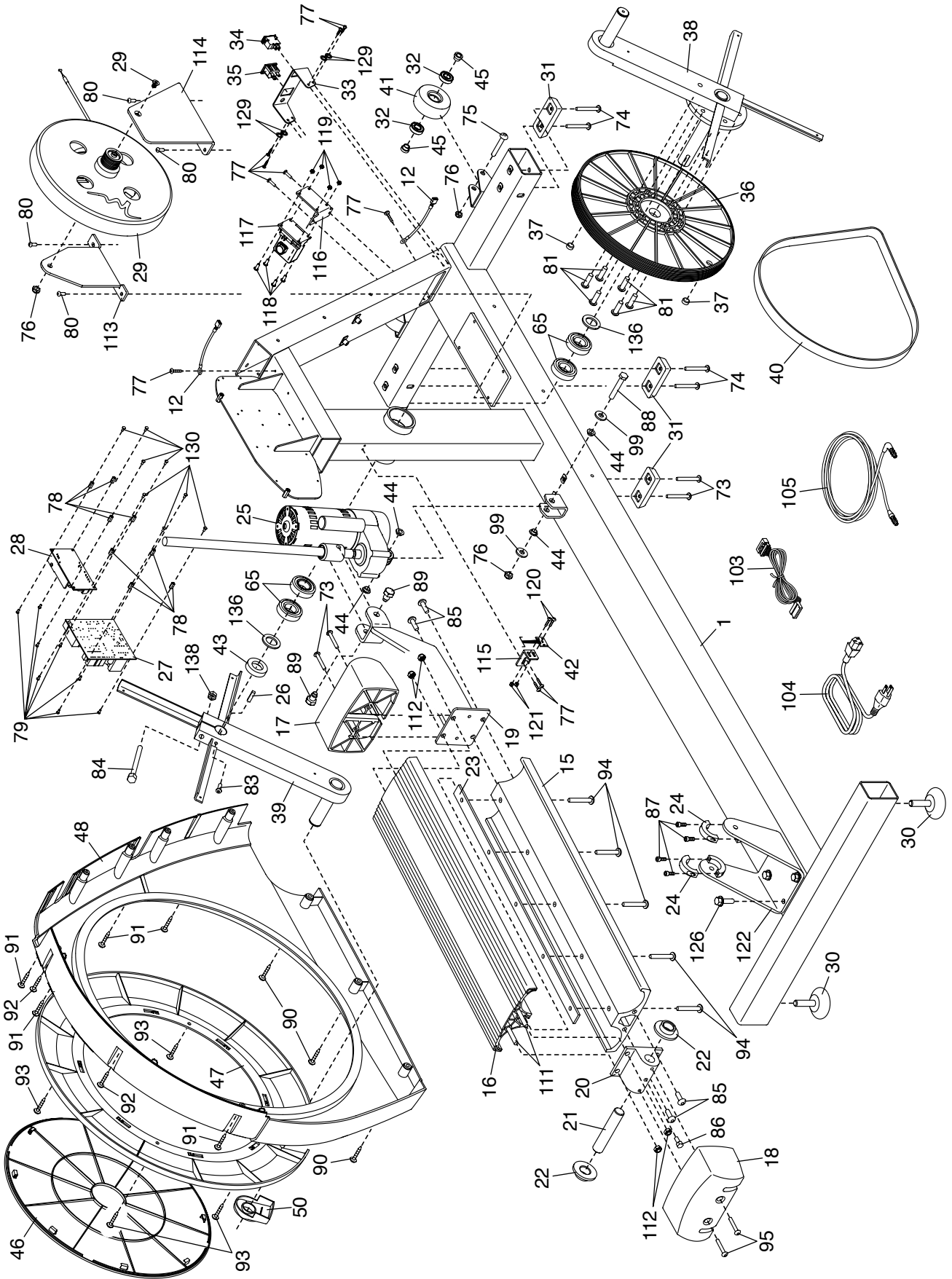
# EXPLODED DRAWING A

Model No. HF-XT9800-I.2 R0713A



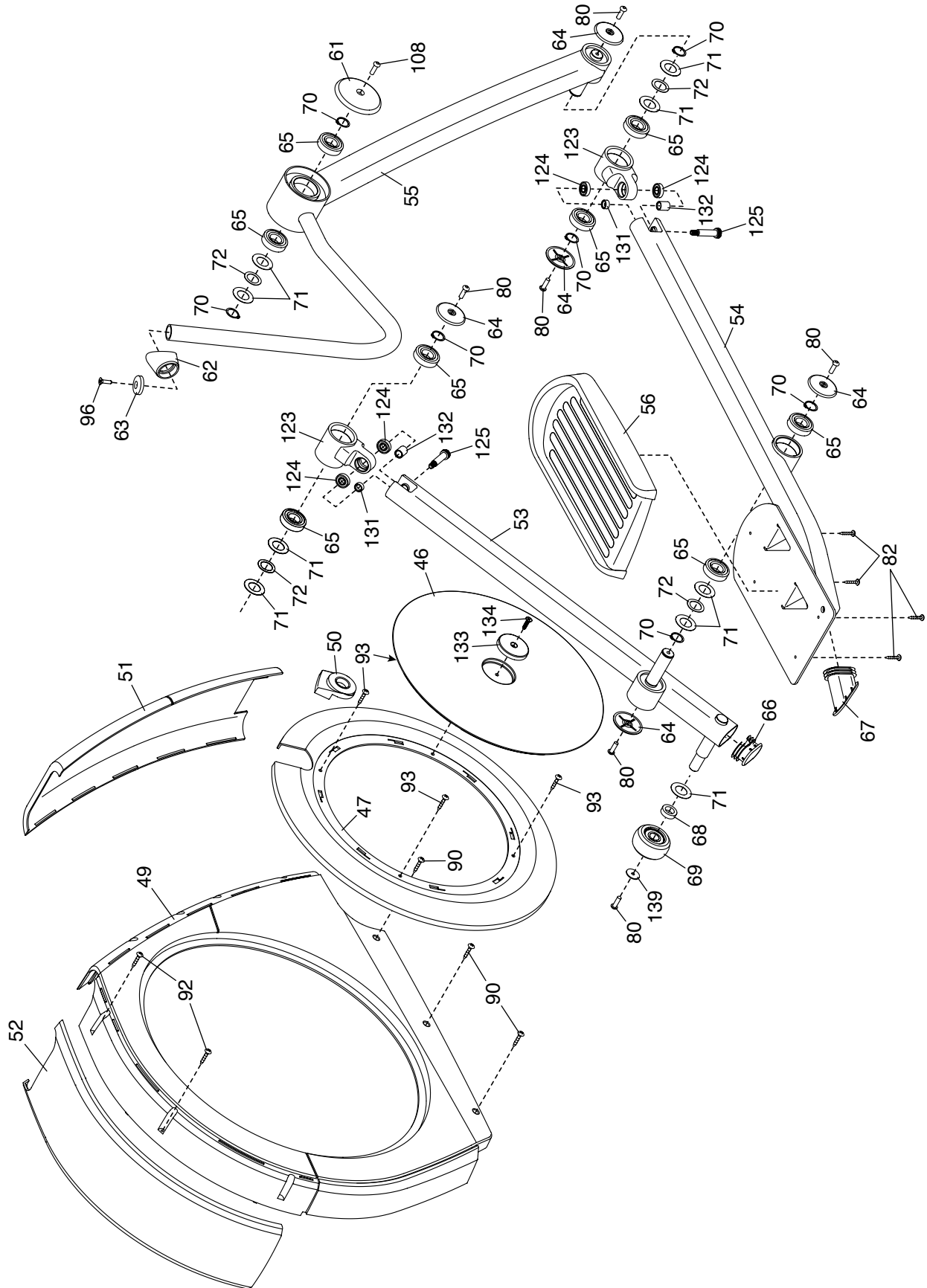
# EXPLODED DRAWING B

Model No. HF-XT9800-1.2 R0713A



# EXPLODED DRAWING C

Model No. HF-XT9800-1.2 R0713A



---

# HOW TO CONTACT CUSTOMER CARE

If you have questions after reading this manual, or if parts are damaged or missing, please contact Customer Care at the phone number, email address, or postal address listed below. **Please note the model number, serial number, and name of the product (see the front cover of this manual) before contacting Customer Care. If you are ordering replacement parts, please also note the key number and description of each part (see the PART LIST and the EXPLODED DRAWING near the end of this manual).**

**Call toll free:** 1-866-581-4494, Mon.–Fri. 8 a.m.–5 p.m. MT

**Email:** [customercare@freemotionfitness.com](mailto:customercare@freemotionfitness.com)

**Write:** FreeMotion Fitness, 1500 S. 1000 W., Logan, UT 84321-9813

**To contact Product Sales,** call Hotel Fitness toll-free at 1-800-291-0403, send a fax to 1-800-813-1102, send an email to [sales@HotelFitness.com](mailto:sales@HotelFitness.com), or go to [www.HotelFitnessClub.com](http://www.HotelFitnessClub.com).

This product is proudly designed and produced for Hotel Fitness by FreeMotion Fitness, Inc., a subsidiary of ICON Health & Fitness, Inc.

---

## LIMITED WARRANTY

FreeMotion Fitness warrants this product to be free from defects in workmanship and material under normal use and service conditions. The warranty period commences on the invoice date of purchase. Any parts repaired or replaced during this warranty period will be warranted for the remainder of the original warranty period.

### WARRANTY PERIODS AND COVERAGE

Console: 1 year

Other Parts: 3 years

Labor: 3 years

This product is warranted for use in non-dues-paying institutional settings to include hotels, apartment fitness centers, corporate fitness centers, fire/police stations, and hospital/physical therapy settings. This product is not intended to be used in large, heavy-use settings such as health clubs, colleges/universities, community centers, or military installations.

### CONDITIONS AND LIMITATIONS

This warranty applies only to the original owner and is non-transferable. The labor warranty applies only to products sold in the US. The following will void the warranty on this product:

1. Any misuse, abuse, or improper service.
2. Users who weigh more than the maximum user weight listed in this manual.
3. Damage caused by moving the product or improper storage including moving or storing the product on its side.
4. Use or storage of the product outdoors or in high-humidity environments including spa and pool areas.

5. Damage caused by improper wiring or insufficient electrical current. Note: This product may not have wiring.

This warranty shall not apply to the following:

1. Cosmetic items including grips, seats, decals, and labels.
2. Pick-up, delivery, or freight charges involved with a repair.
3. Any problem as a result of improper assembly or delivery.

### WHAT TO DO IF SERVICE IS REQUIRED

FreeMotion Fitness warranty service may be obtained by contacting Customer Care. Make sure to retain your original invoice and serial number information. If this product experiences a failure under the warranty terms set forth, FreeMotion Fitness shall provide at their option either repair, replacement, or refund of the purchase price. FreeMotion Fitness compensates service providers for warranty trips within their service area. You may be charged additionally for service calls beyond this service area.

Hotel Fitness and FreeMotion Fitness are not responsible or liable for indirect, special, or consequential damages arising out of or in connection with the use or performance of the product; damages with respect to any economic loss, loss of property, loss of revenues or profits, loss of enjoyment or use, or cost of removal or installation; or other consequential damages. Some states do not allow the exclusion or limitation of consequential damages. Accordingly, the above limitation may not apply to you. This warranty gives you specific rights, and you may have other rights that vary from state to state.

### HOW TO CONTACT CUSTOMER CARE

See HOW TO CONTACT CUSTOMER CARE above.