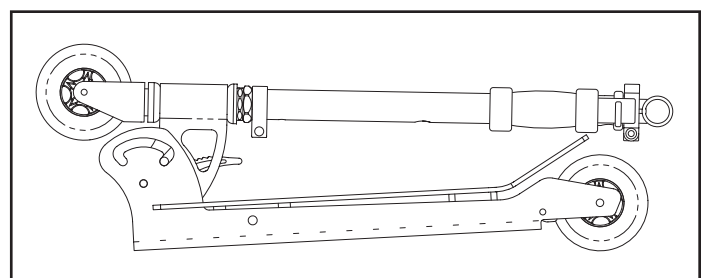
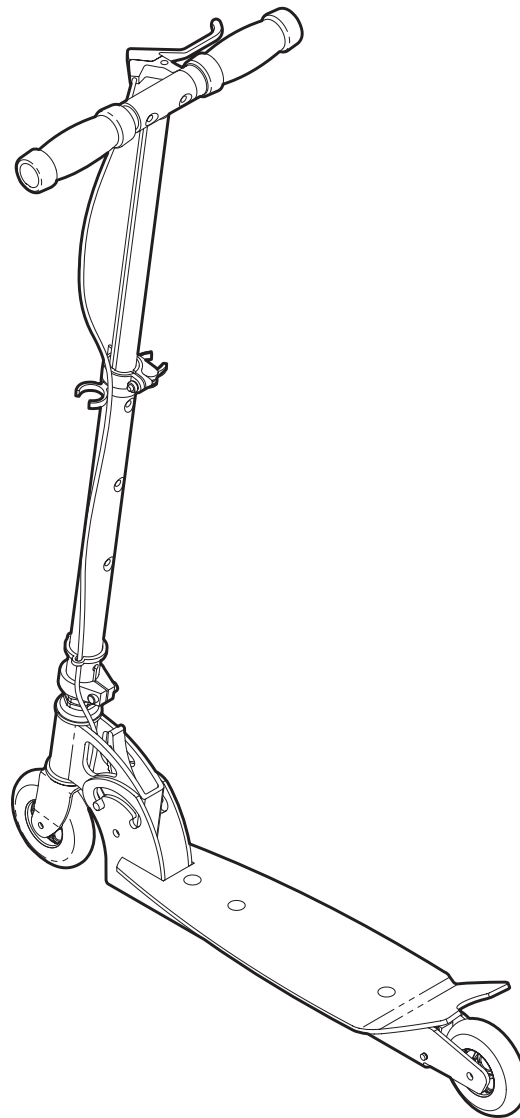


⚠ WARNING: To reduce the risk of serious injury, read these warnings before using the scooter.

1. Read and follow all instructions.
2. It is the owner's responsibility to ensure that all users of the scooter are adequately informed of all warnings and instructions.
3. Inspect the scooter and tighten or replace any loose or missing parts before each use. In addition, make sure that the handles and the stem are securely locked in position, the wheels rotate freely, the brake is in working order and free of all debris, and the wheel bolts are secure.
4. The scooter should not be used by children under the age of eight. A responsible adult must always supervise young riders.
5. Always wear protective equipment, including a helmet, knee pads, wrist guards, elbow pads, and closed-toed shoes, when using the scooter.
6. Never ride on streets, roadways, or driveways that enter vehicle traffic routes. Never ride on wet or uneven surfaces, at night, or when visibility is poor.
7. Never tow a rider with a bicycle, motorcycle, or vehicle.
8. Locate the warning decals on the scooter, and read the warnings before using the scooter.
9. Save this User's Manual for future reference.
10. This scooter should not be used by persons weighing more than 200 pounds.
11. Braking from high speeds or prolonged braking on inclines can cause excessive wear of the rear wheel and brake. Exercise caution when selecting your area of use.
12. To prevent burns, avoid touching the brake after prolonged use.



User's Manual

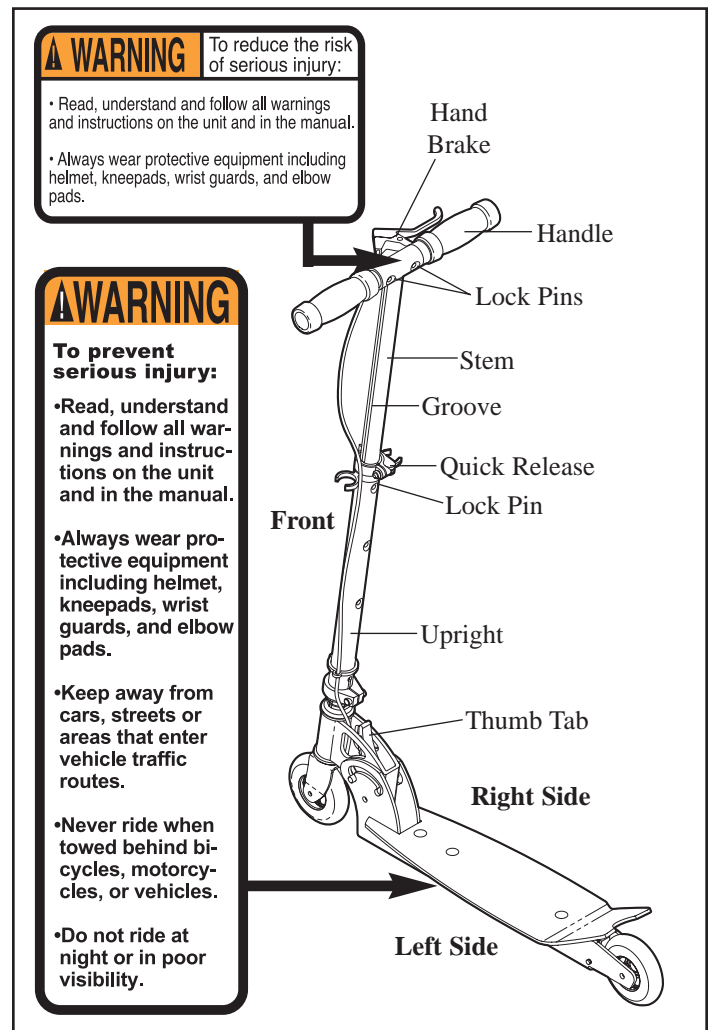


Setup

1. Firmly press the thumb tab and pivot the upright up until it locks in a nearly vertical position.
2. Insert the handles into the stem until the lock pins are visible in the holes in the stem.
3. Open the quick-release lever. Depress the lock pin on the stem, and slide the stem up until the lock pin is visible in one of the three holes in the upright. When the stem is at the desired height, close the quick-release lever so it is snug against the upright. If the quick release is not snug, see **ADJUSTING THE QUICK RELEASE** on the back of this manual.

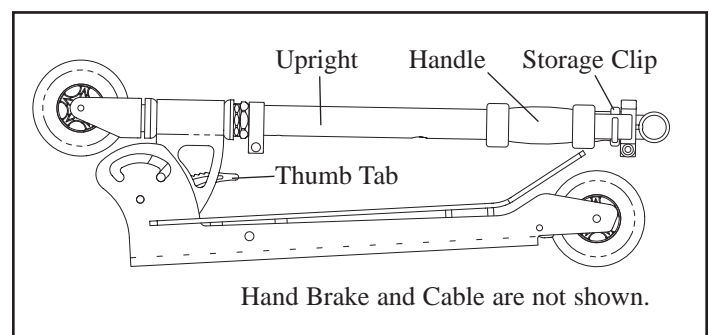
Before using the scooter, make sure that the scooter is set up as described and that all parts are securely tightened.

The decal shown at the right has been placed on the scooter. If the decal is missing or illegible, please call our Customer Service Department toll-free at 1-800-999-3756, Monday through Friday, 6 a.m. until 6 p.m. Mountain Time, to order a free replacement decal. Apply the replacement decal in the location shown.



Storage

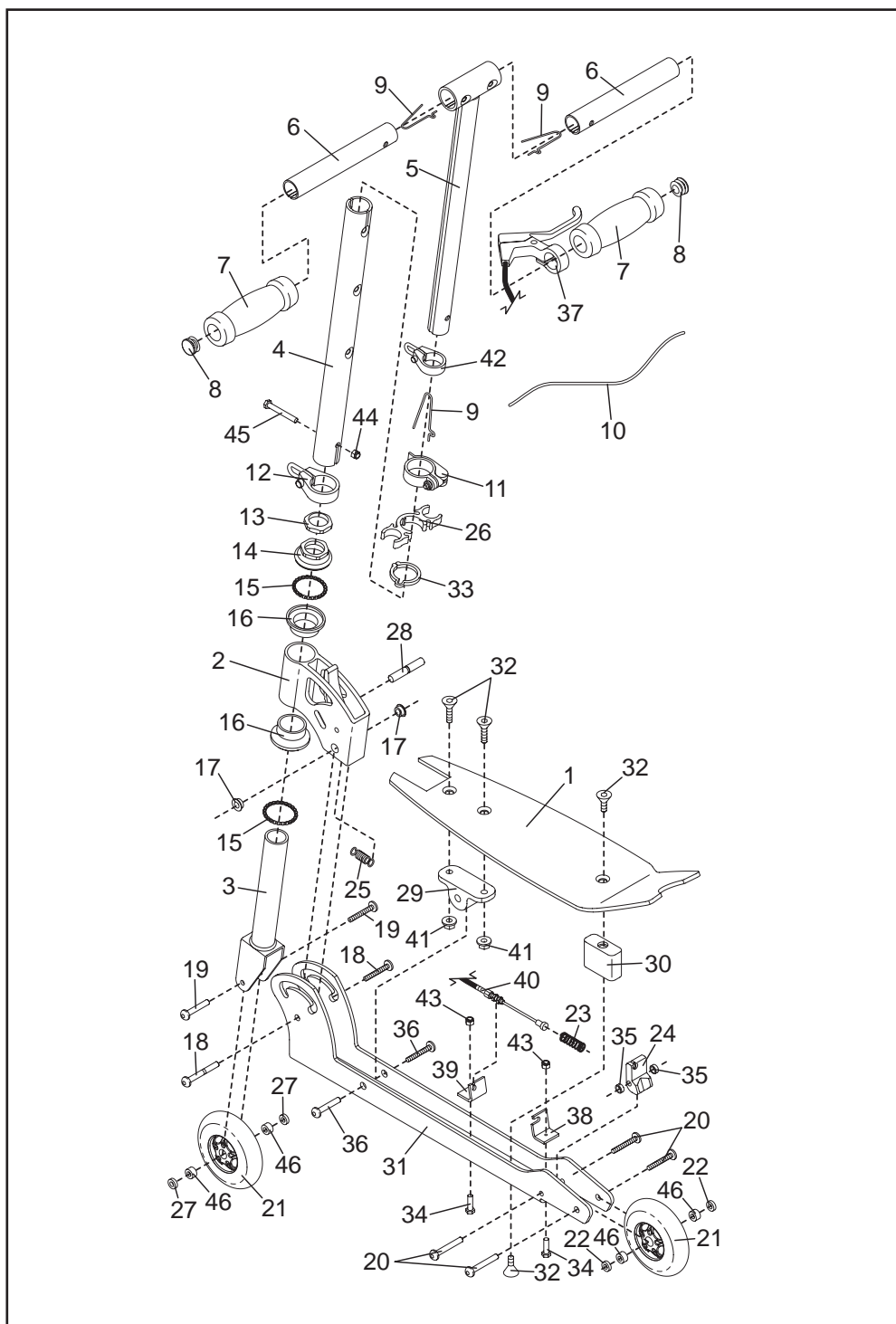
1. Open the quick-release lever. Depress the lock pin on the stem and slide the stem down into the upright. Close the quick-release lever.
2. Depress the lock pins and remove the handles from the stem. Press the handles into the storage clip on the upright.
3. Pull the thumb tab and pivot the upright down until it locks in the horizontal position.



Part List/Exploded Drawing Model No. HNSC07900

R0101A

No.	Qty.	Description
1	1	Deck
2	1	Head Tube
3	1	Fork
4	1	Upright
5	1	Stem
6	2	Handle
7	2	Foam Pad
8	2	Handle Cap
9	3	Lock Pin
10	1	Handle Cord
11	1	Quick Release
12	1	Upright Clamp
13	1	Bearing Nut
14	1	Bearing Cap
15	2	Bearing
16	2	Bearing Race
17	2	Bushing
18	1	Pivot Union Bolt Set
19	1	Front Union Bolt Set
20	2	Rear Union Bolt Set
21	2	Wheel
22	2	Rear Wheel Spacer
23	1	Brake Spring
24	1	Brake
25	1	Head Tube Spring
26	1	Storage Clip
27	2	Front Wheel Spacer
28	1	Lock Pin
29	1	Deck Mount
30	1	Deck Cushion
31	1	Frame
32	4	Deck Screw
33	1	Cable Clip
34	2	Tek Screw
35	2	Brake Spacer
36	1	Mount Union Bolt Set
37	1	Hand Brake
38	1	Brake Bracket
39	1	Cable Bracket
40	1	Brake Cable
41	2	Flange Nut
42	4	Wheel Bearing
43	2	Frame Nut
44	1	Upright Nut
45	1	Upright Bolt
*	1	User's Manual



*The user's manual is not shown. Note: Specifications are subject to change without notice.

Ordering Replacement Parts

To order replacement parts, call toll-free 1-800-999-3756, Monday through Friday, 6 a.m. until 6 p.m. Mountain Time (excluding holidays). When ordering parts, please mention the model number (HNSC07900) and the number and description of the parts needed.

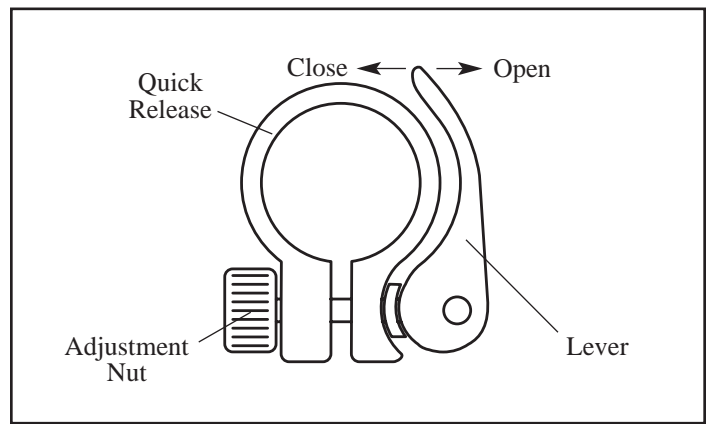
Adjusting the Quick Release

If the quick release doesn't hold the stem snug in place, you will need to adjust it.

Open the quick-release lever. Turn the adjustment nut clockwise one half turn while keeping the lever from turning. Close the lever. Repeat this procedure until the stem is held snug in place.

If the quick release is too snug to close, you will need to adjust it.

While the quick-release lever is open, turn the adjustment nut counterclockwise one quarter turn while keeping the lever from turning. Close the lever. Repeat this procedure until the stem is held snug in place and the quick release is closed.



Hand Brake Maintenance

Refer to inset drawing 1. Locate the adjustment barrel (B) and the lock nut (A) on the hand brake. Turn the lock nut (A) counterclockwise to loosen it. Next, turn the adjustment barrel (B) counterclockwise a few turns. Then, turn the lock nut (2) clockwise to retighten it. Repeat until the hand brake is properly adjusted.

If the movement of the hand brake needs to be further adjusted, the lower end of the brake cable can be adjusted. Using an allen wrench, remove the indicated union bolt set (36). Next, remove the rear deck screw (32) and lift off the deck (1).

Refer to inset drawing 2. Locate the adjustment barrel (C) and the lock nuts (D and E) near the end of the brake cable. Using a small open-end wrench, turn the outer lock nut (E) counterclockwise to loosen it. Next, turn the adjustment barrel (C) counterclockwise a few turns. Then, turn the inner lock nut (D) clockwise to tighten it.

Reattach the deck (1) with the rear deck screw (32) and the union bolt set (36).

