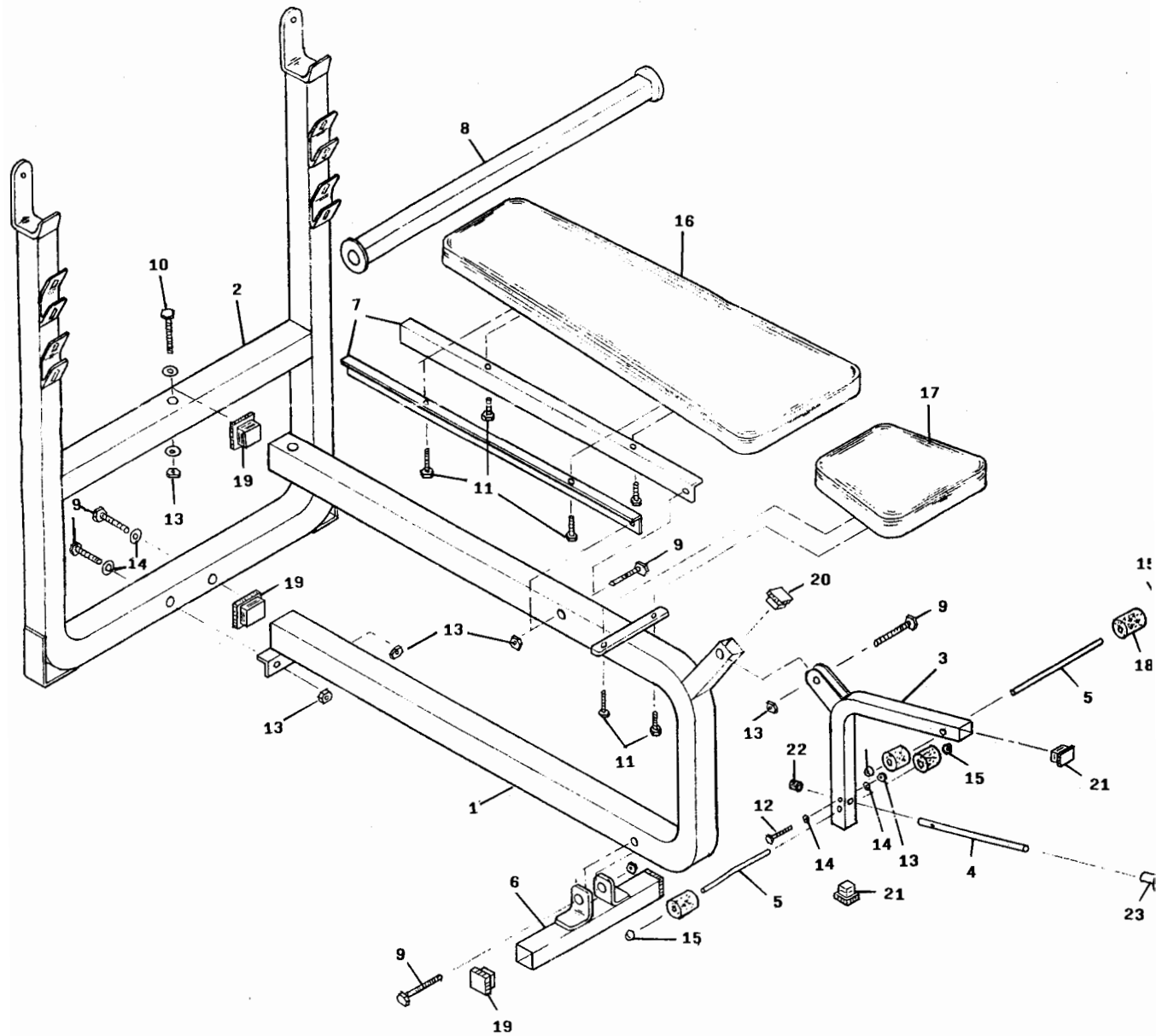


IMAGE

NARROW COMBO BENCH

IM 2300



PARTS LIST

REF. NO.	PART NO.	QTY	PART DESCRIPTION
1	2300-01	1	SUPPORT FRAME
2	2300-02	1	UPRIGHT
3	2300-03	1	LEG CURL SUPPORT
4	2300-04	1	WEIGHT SUPPORT BAR
5	2300-05	2	FOAM PAD BAR
6	2300-06	1	BOTTOM BASE
7	2300-07	2	BACKREST SUPPORT
8	2300-08	1	ADJUSTMENT BAR
9	2300-09	5	3/8" X 2 3/4" HEX BOLT
10	2300-10	1	3/8" X 5" HEX BOLT
11	2300-11	6	3/8" X 3/4" HEX BOLT
12	2300-12	1	3/8" X 2 1/4" HEX BOLT
13	2300-13	7	3/8" NUT
14	2300-14	6	WASHER
15	2300-15	4	PUSH NUT
16	2300-16	1	BACK PAD
17	2300-17	1	SEAT PAD
18	2300-18	4	FOAM PAD
19	2300-19	4	2" END PLUG
20	2300-20	1	1 3/4" END PLUG
21	2300-21	2	1 1/2" END PLUG
22	2300-22	1	RUBBER BUMP
23	2300-23	1	WASHER COVER
24	2300-24	1	ROUND END PLUG

TO ORDER REPLACEMENT PARTS CONTACT:

IMAGE INC.
3670 PARKWAY LANE SUITE J
HILL IARD, OH 43026

ASSEMBLY INSTRUCTIONS FOR IMAGE BENCH

- 1) Insert the Bottom Base (6) into the Support Frame (1) using 2 3/4" bolt (9), and Nut (13).
- 2) Stand the Upright (2). Attach the Bench support frame (1) to the upper and lower brackets on the Upright, using two 2 3/4" bolts (9) and one 5" bolt (10), with Nuts (13), Washer (14) as shown.
- 3) Slip the Leg Curl Support (3) to the Support Frame (1), using 2 3/4" bolt (9). Next, slide the Foam Pad Bar (5) through the end holes of the leg curl support on either side of the tubes.
Push the Foam Pads (18) onto the tubes. Lock in place with the Push Nuts (15).
- 4) Fasten the Back Pad (16) to the Backrest Support (7), using the 3/4" bolts (11). Attach the Backrest Support (7) on the Support Frame (1), using 2 3/4" bolt (9). Fasten the Seat Pad (17) to the Support Frame (1) using the 3/4" bolts (11).
- 5) Drop the Adjustment Bar (8) onto the brackets on the vertical tubes of the Upright (2).
- 6) Snap the 2" End Plug (19) into the ends of the tubes on the Support Frame (1) and the Bottom Base (6). Push the 1 1/2" End Plugs (21) into the Leg Curl Support (3).
Push the Washer Cover (23) onto the Weight Support Bar (4). Snap in place with the Round End Plug (24) and Rubber Bump (22) as shown.