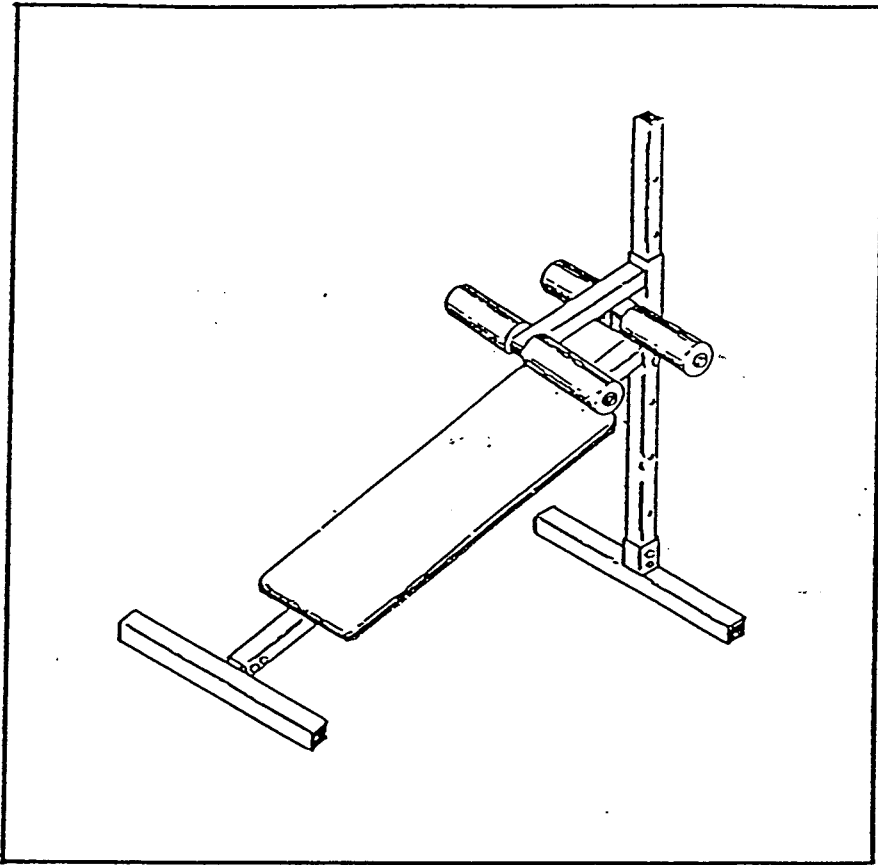


1m326

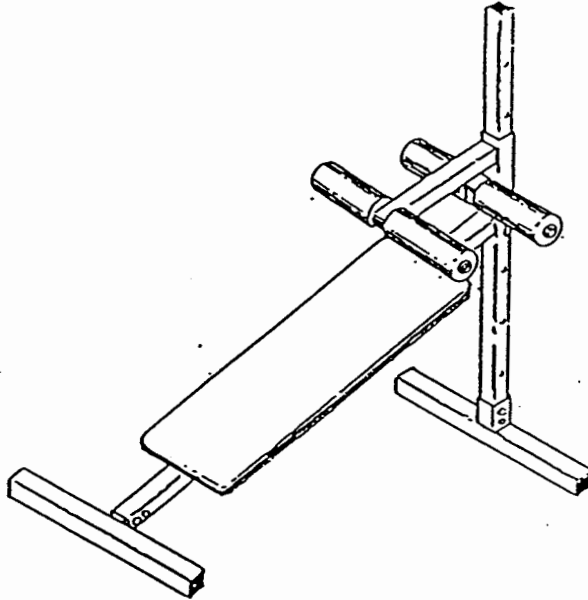
IMAGE 326 051

SLANT BOARD



Assembly Instructions

SLANT BOARD



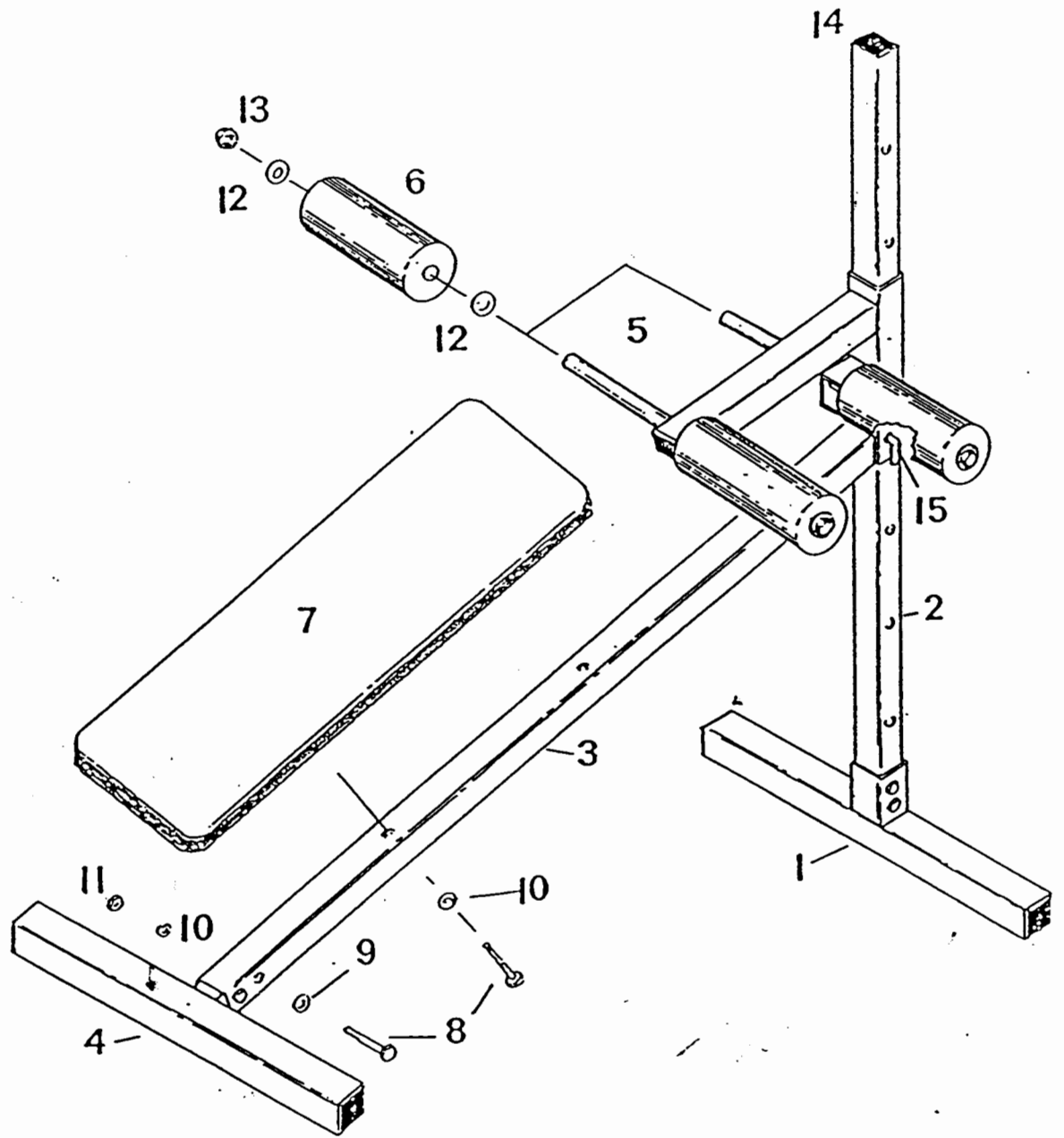
When ordering repair parts, always give the following information:

PRODUCT SLANT BOARD
MODEL NUMBER 326-OSI
PART NUMBER
PART DESCRIPTION

CONTACT:

IMAGE

6063 Frantz Road Suite 103 Dublin, OH 43017



TOOLS REQUIRED FOR ASSEMBLY

TWO - 9/16 Wrenches

ASSEMBLY INSTRUCTIONS FOR SLANT BOARD

- 1) Insert Upright (2) into the Foot Upright (1). Attach with two bolts (8), flat washers (9), lock washers (10) and hex nuts (11).
- 2) Slide open tube of Bench Frame (3) over the Upright (2) as shown. Use "L" Pin (15) to hold in position you desire.
- 3) Attach Foot Frame (4) to bottom of Bench Frame in the same manner as the Foot Upright.
- 4) Attach Bench Pad (7) to Bench Frame. Use two bolts (8) with lock washers (10) as shown.
- 5) Slide Roller Rods (5) through 3/4" holes. Allow equal spacing on both sides of square tubes. Add washer (12), Roller Pad (6), and another washer to each side. Use push nut (13) on each end to lock in place.
- 6) Snap End Caps (14) into open ends of the square tubes.

REPAIR PARTS

REF. NO.	PART NO.	QTY.	PART DESCRIPTION
1	326-01	1	Foot Upright
2	326-02	1	Upright
3	326-03	1	Bench Frame
4	326-04	1	Foot Frame
5	326-05	2	Roller Rod
6	326-06	4	Roller Pad
7	326-07	1	Bench Pad
8	326-08	6	Bolt 3/8 x 2 3/4 hex
9	326-09	4	Flat Washer 3/8
10	326-10	6	Lock Washer 3/8
11	326-11	4	Hex Nut 3/8
12	326-12	8	Flat Washer 3/4
13	326-13	4	Push Nut
14	326-14	6	End Cap
15	326-15	1	"L" Pin