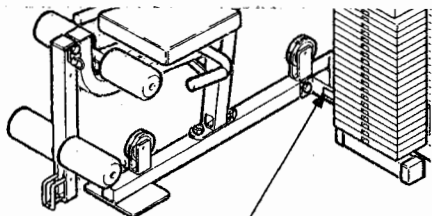


IMAGETM 5180

Model No. IM518020

Serial No. _____

The serial number can be found in the location shown below. Write the serial number in the space above.



Serial Number Decal

QUESTIONS?

As a manufacturer, we are committed to providing you complete customer satisfaction. If you have questions, or if there are any missing or damaged parts, we will guarantee you complete satisfaction through direct assistance from our factory.

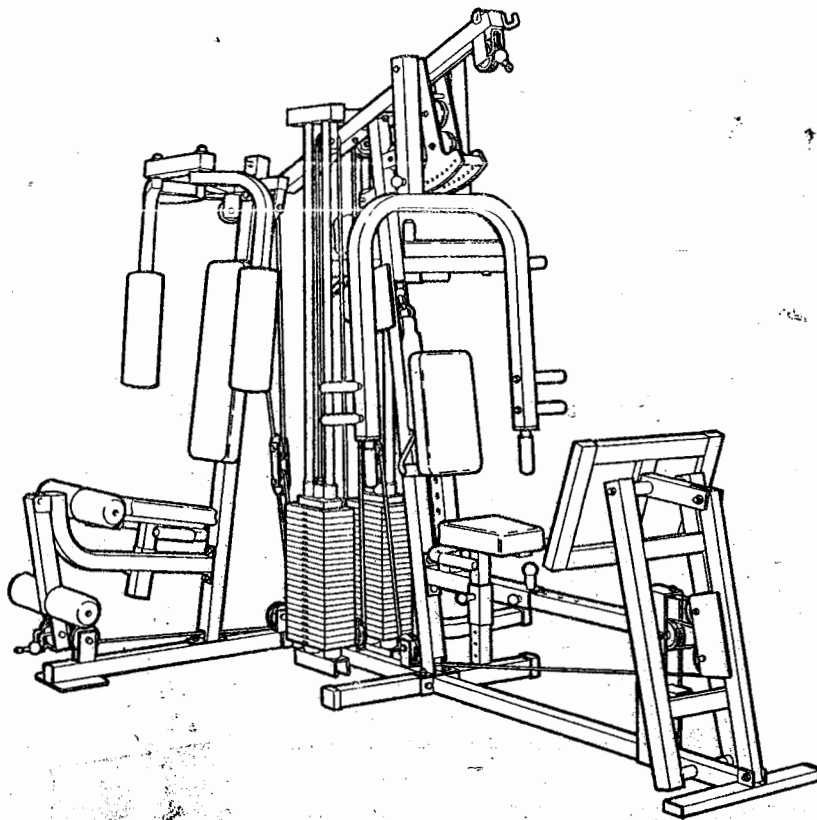
TO AVOID UNNECESSARY DELAYS, PLEASE CALL DIRECT TO OUR TOLL-FREE CUSTOMER HOT LINE.

The trained technicians on our Customer Hot Line will provide immediate assistance, free of charge to you.

**Customer Hot Line:
1-800-999-3756
Mon.-Fri., 6 a.m.-6 p.m. MST**

CAUTION!

Read all safety precautions and instructions in this manual before using this equipment. Keep this manual in a safe place for future reference.



OWNER'S MANUAL

TABLE OF CONTENTS

IMPORTANT SAFETY PRECAUTIONS	2
BEFORE YOU BEGIN	3
ASSEMBLY	4
CABLE DIAGRAMS	21
USING THE IMAGE 518	23
TROUBLE-SHOOTING AND MAINTENANCE	26
PART LIST	27
ORDERING REPLACEMENT PARTS	Back Cover
WARRANTY	Back Cover

IMPORTANT SAFETY PRECAUTIONS

WARNING: To reduce the risk of serious injury, read the following important safety precautions before using the IMAGE 518.

1. Read all instructions in this owner's manual and in the accompanying literature before using the IMAGE 518. Use the IMAGE 518 only as described.
2. Inspect and tighten all parts each time you use the IMAGE 518. Replace any worn parts immediately.
3. Keep your hands away from moving parts other than the designated handles. Always wear athletic shoes for foot protection.
4. Keep small children away from the IMAGE 518 at all times.
5. When adjusting either of the seats, make sure that the pin of the lock knob is in one of the holes in the seat post. If the pin is not in one of the holes, the seat may slip during use, causing serious injury.
6. Never release the press arm, butterfly arms, leg lever, leg press, bars or straps while weights are raised. The weights will fall with great force.
7. If you feel pain or dizziness at any time while exercising, stop immediately and begin to cool down.

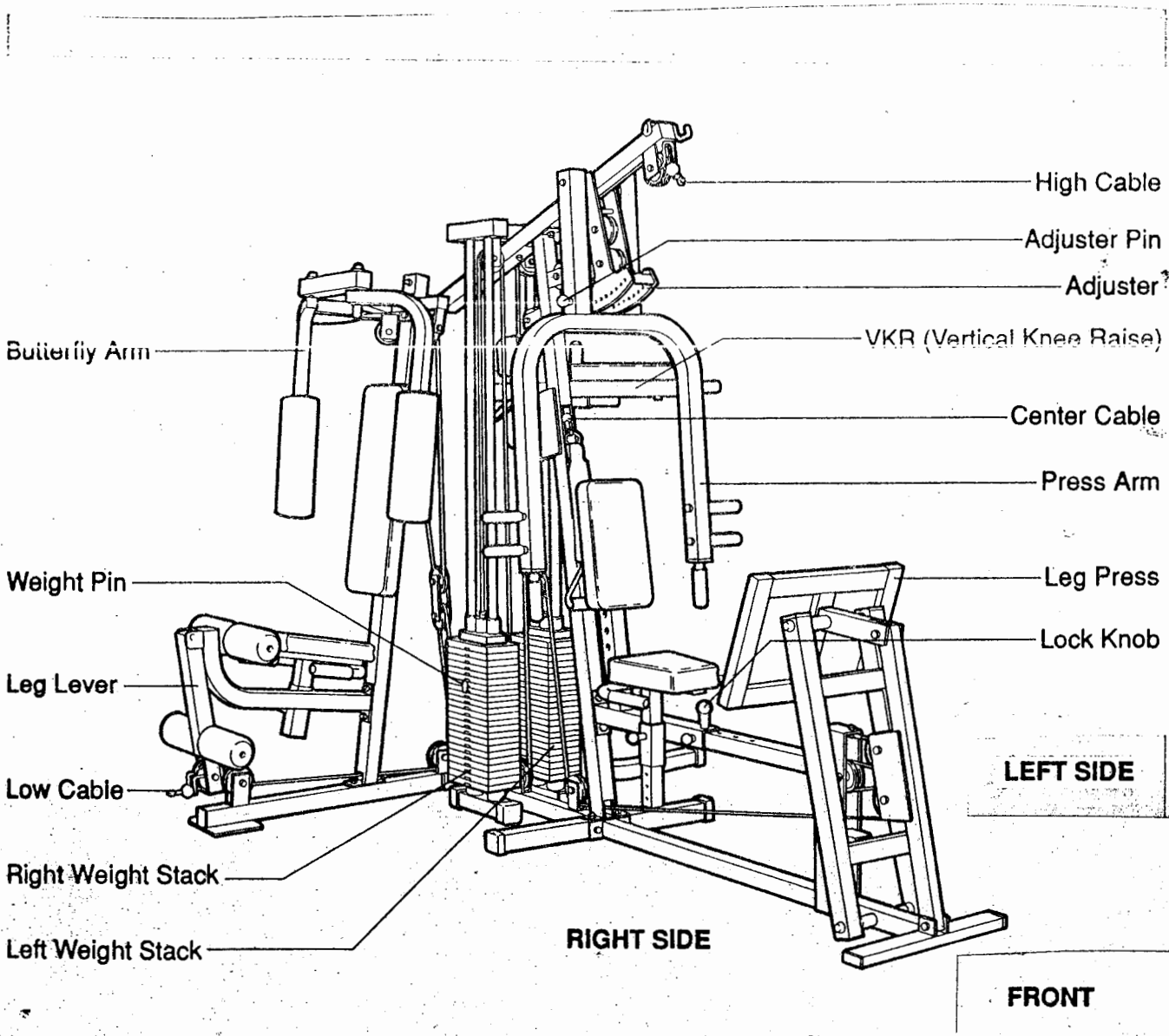
WARNING: Before beginning this or any exercise program, consult your physician. This is especially important for persons over the age of 35 or persons with pre-existing health problems. Read all instructions before using this product. IMAGE assumes no responsibility for personal injury or property damage sustained by or through the use of this product.

BEFORE YOU BEGIN

Congratulations for selecting the IMAGE™ 518 weight training system. The IMAGE 518 offers an impressive array of weight training exercises to develop every major muscle group of the body. Whether your goal is improved cardiovascular fitness, a shapely, toned body or dramatic muscle size and strength, the IMAGE 518 will help you to achieve the specific results you want.

For your safety and benefit, read this manual and the accompanying literature before using the IMAGE 518. If you have additional questions, please call our Customer Service Department toll-free at 1-800-999-3756, Monday through Friday, 6 a.m. until 6 p.m. Mountain Time (excluding holidays). To help us assist you, please note the product model number and serial number before calling. The model number is IM518020. The serial number can be found on a decal attached to the IMAGE 518 (see the front cover of this owner's manual for the location).

Before reading further, please examine the drawing below and familiarize yourself with the parts that are labeled. **IMPORTANT:** Please note the location of the left and right sides of the IMAGE 518.



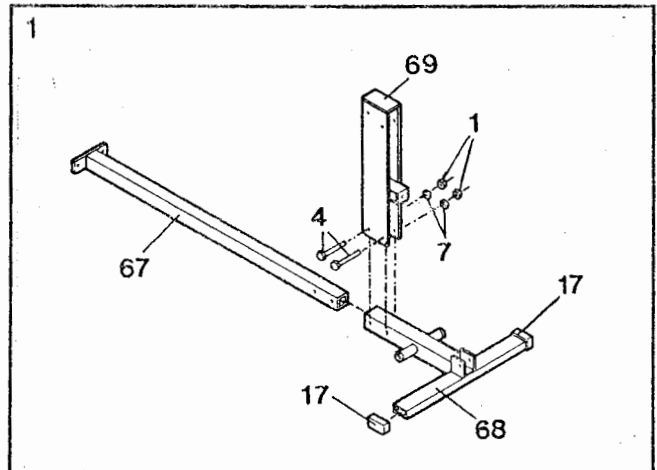
ASSEMBLY

Assembly requires two persons. Place all parts of the IMAGE 518 in a cleared area and remove the packing materials. Do not dispose of the packing materials until the IMAGE 518 is completely assembled. As you assemble the IMAGE 518, read each step and examine each drawing carefully. **Make sure that all parts are oriented as shown in the drawings.** Refer to the PART IDENTIFICATION (ID) CHART accompanying this owner's manual for help identifying the small parts used in assembly. Assembly requires approximately 4-8 hours.

The following tools are required for assembly: two 8" adjustable wrenches, a 9/16" socket wrench, a rubber mallet and a standard screwdriver. A small amount of soapy water is also needed.

1. Press a 1" x 2" Outer Cap (17) onto each side of the Leg Press Stabilizer (68).

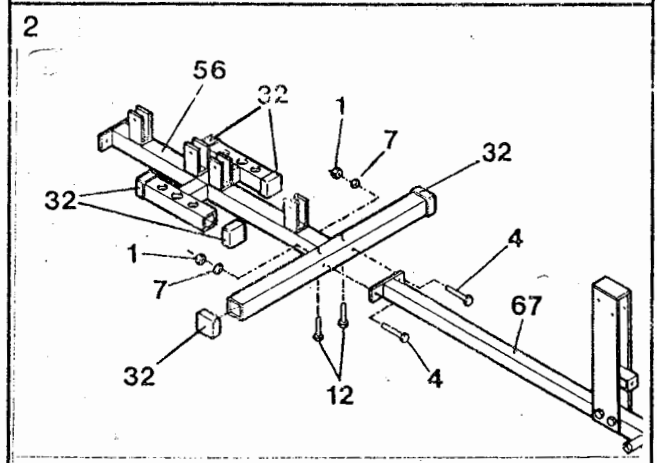
Slide the Leg Press Stabilizer (68) onto the Leg Press Base (67). Using a rubber mallet, tap the Leg Press Support (69) onto the Leg Press Stabilizer. Connect the Leg Press Support, Leg Press Stabilizer and Leg Press Base with two 3/8" x 3" Bolts (4), 3/8" Washers (7) and 3/8" Nylock Nuts (1). Do not fully tighten the Nylock Nuts yet.



2. Press six 2" x 2" x 1" Outer Caps (32) onto the Base (56) in the indicated locations.

Insert two 3/8" x 2 1/2" Carriage Bolts (12) up through the Base (56) as shown.

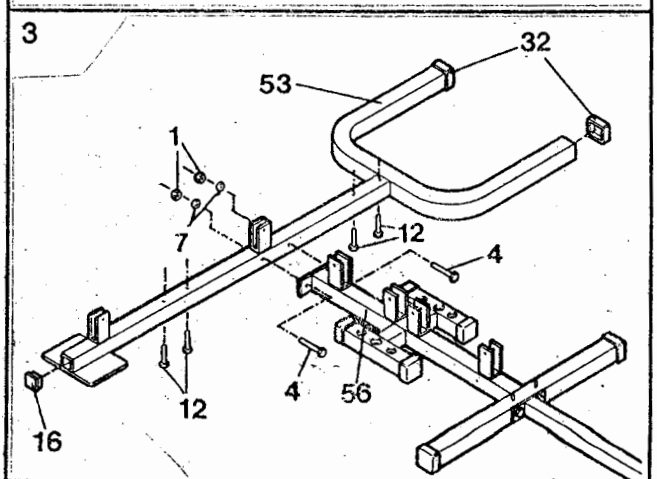
Attach the Leg Press Base (67) to the Base (56) with two 3/8" x 3" Bolts (4), 3/8" Washers (7) and 3/8" Nylock Nuts (1). Do not fully tighten the Nylock Nuts yet.



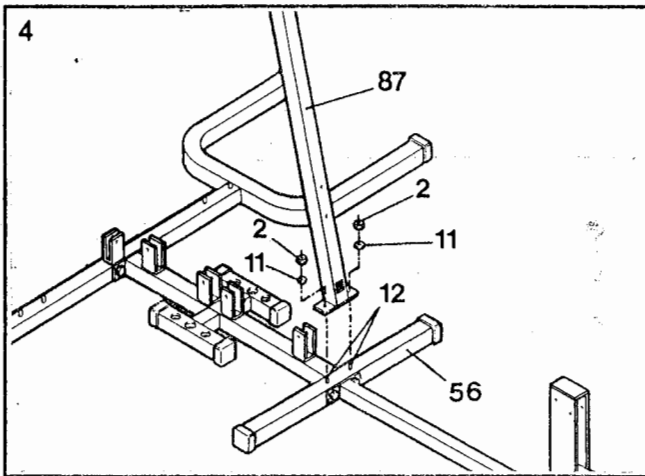
3. Press two 2" x 2" x 1" Outer Caps (32) onto the Stabilizer (53). Press a 2" x 2" Inner Cap (16) into the Stabilizer.

Insert four 3/8" x 2 1/2" Carriage Bolts (12) up through the Stabilizer (53) as shown.

Attach the Stabilizer (53) to the Base (56) with two 3/8" x 3" Bolts (4), 3/8" Washers (7) and 3/8" Nylock Nuts (1). Do not fully tighten the Nylock Nuts yet.

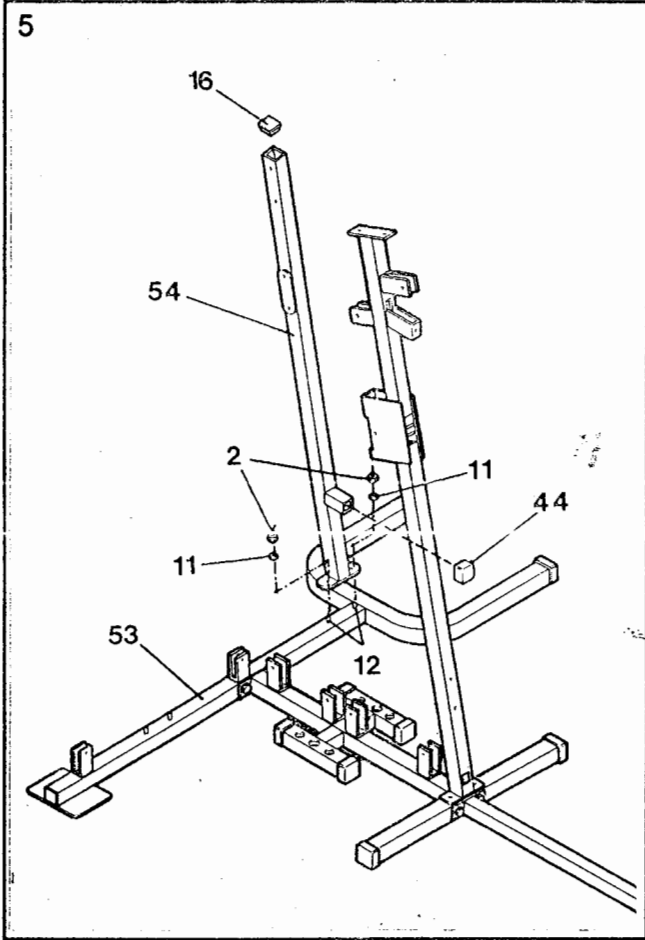


4. Slide the Front Upright (87) onto the two 3/8" x 2 1/2" Carriage Bolts (12) in the Base (56). Insert the tip of a standard screwdriver under the Bolt heads and push the Bolts up. Thread a 3/8" Nut (2) with a 3/8" Lock Washer (11) onto each Bolt. Do not fully tighten the Nuts yet.



5. Press a 2" x 2" Inner Cap (16) into the upper end of the VKR Upright (54). Press the 2" x 2" x 2" Outer Cap (44) onto the VKR Upright.

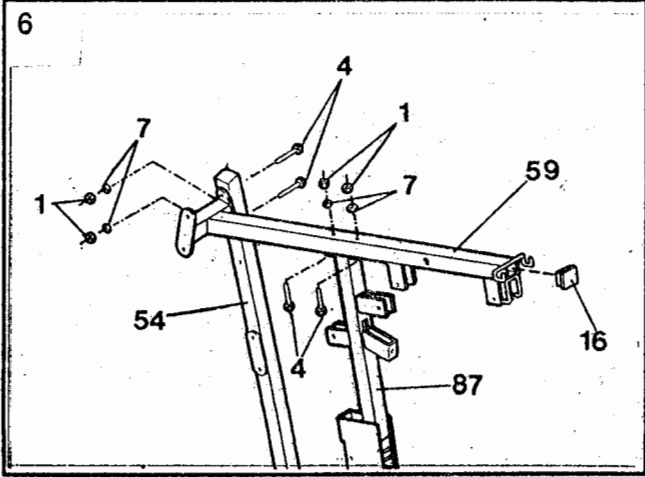
Slide the VKR Upright (54) onto the two indicated 3/8" x 2 1/2" Carriage Bolts (12) in the Stabilizer (53). Insert the tip of a standard screwdriver under the Bolt heads and push the Bolts up. Thread a 3/8" Nut (2) with a 3/8" Lock Washer (11) onto each Bolt. Do not fully tighten the Nuts yet.



6. Press a 2" x 2" Inner Cap (16) into the Frame Top (59).

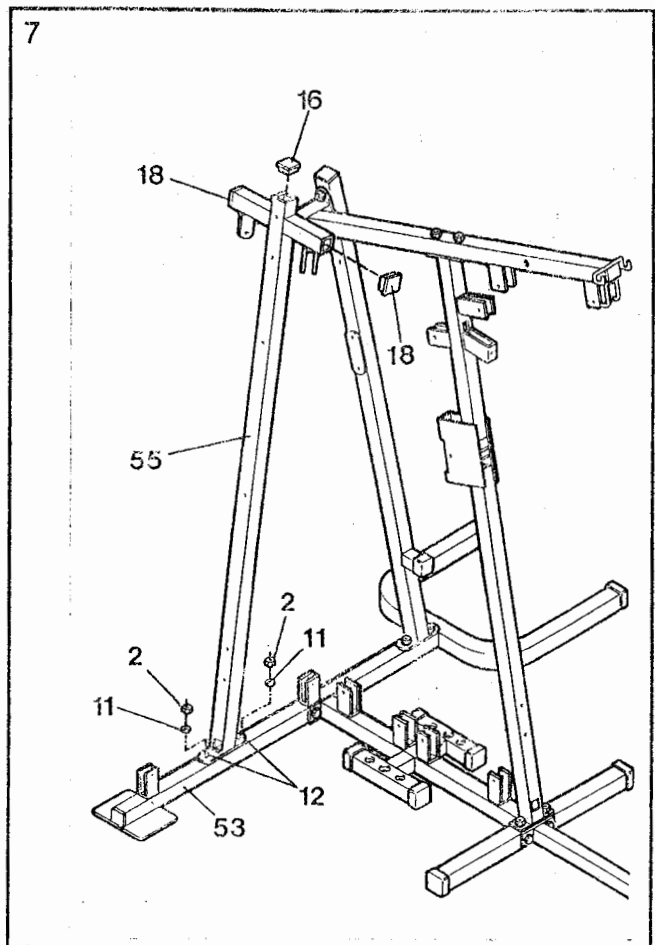
Attach the Frame Top (59) to the Front Upright (87) with two 3/8" x 3" Bolts (4), 3/8" Washers (7) and 3/8" Nylock Nuts (1). Do not fully tighten the Nylock Nuts yet.

Attach the Frame Top (59) to the VKR Upright (54) with two 3/8" x 3" Bolts (4), 3/8" Washers (7) and 3/8" Nylock Nuts (1). Do not fully tighten the Nylock Nuts yet.



- Press a 2" x 2" Inner Cap (16) into the upper end of the Butterfly Upright (55). Press two 1 1/2" x 1 1/2" Inner Caps (18) into the sides of the Butterfly Upright.

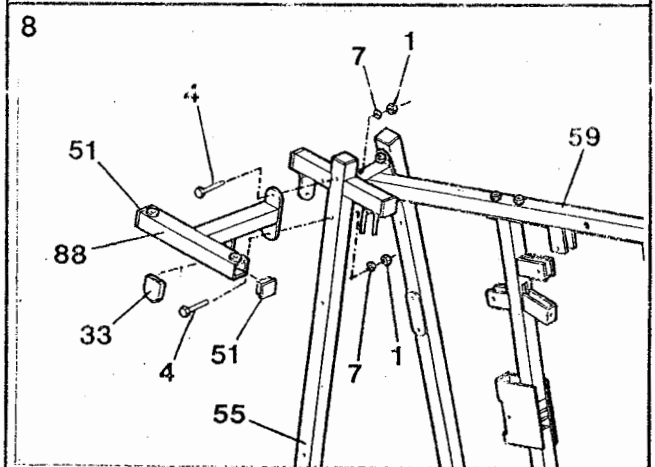
Slide the Butterfly Upright (55) onto the two indicated 3/8" x 2 1/2" Carriage Bolts (12) in the Stabilizer (53). Insert the tip of a standard screwdriver under the Bolt heads and push the Bolts up. Thread a 3/8" Nut (2) with a 3/8" Lock Washer (11) onto each Bolt. Do not fully tighten the Nuts yet.



- Press the Bumper Cap (33) onto the metal tab on the underside of the Butterfly Arm Support (88). Press two 2" x 2" Inner Caps w/Cutouts (51) into the sides of the Butterfly Arm Support.

Attach the Butterfly Arm Support (88) and the Butterfly Upright (55) to the Frame Top (59) with two 3/8" x 3" Bolts (4), 3/8" Washers (7) and 3/8" Nylock Nuts (1).

Tighten all Nuts used in assembly steps 2-8.

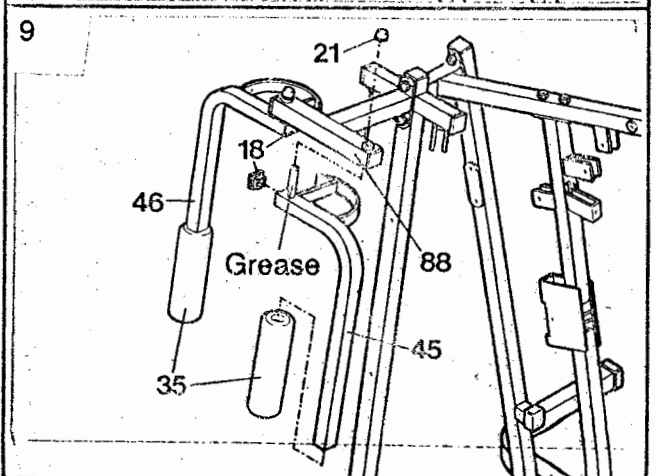


- Press a 1 1/2" x 1 1/2" Inner Cap (18) into the upper end of the Left Butterfly Arm (45).

Apply grease to the post on the Left Butterfly Arm (45). Insert the post up through the Butterfly Arm Support (88). Tap a 3/4" Plastic Cap (21) onto the end of the post.

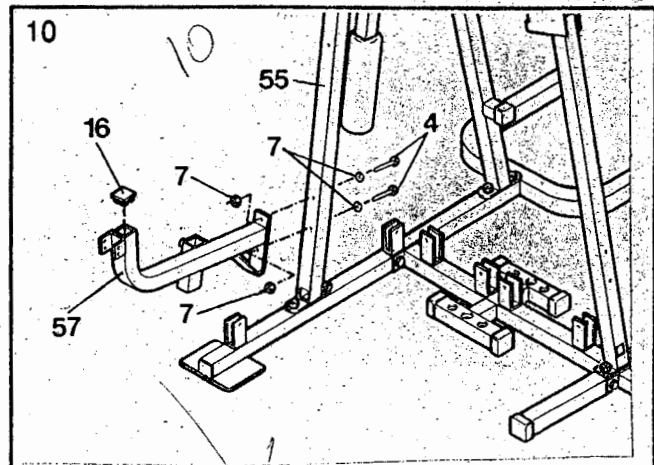
Slide a 15 1/2" Foam Pad (35) onto the lower end of the Left Butterfly Arm (45). It may be helpful to wet the Arm with soapy water.

Assemble the Right Butterfly Arm (46) in the same manner.



10. Press a 2" x 2" Inner Cap (16) into the Leg Lever Frame (57).

Attach the Leg Lever Frame (57) to the Butterfly Upright (55) with two 3/8" x 3" Bolts (4), 3/8" Washers (7) and 3/8" Nylock Nuts (1).

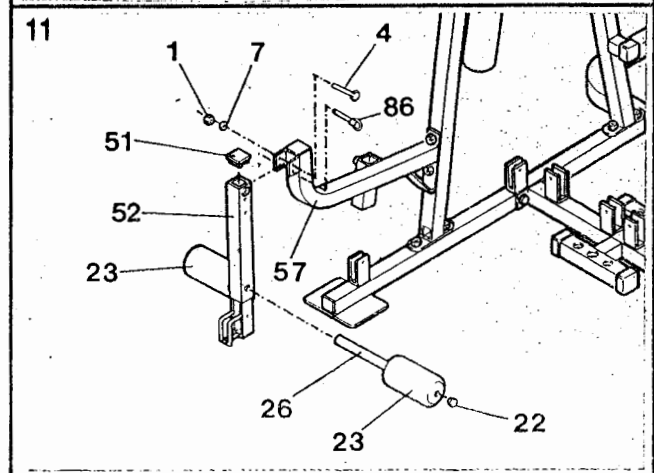


11. Press a 2" x 2" Inner Cap w/Cutout (51) into the upper end of the Leg Lever (52).

Attach the Leg Lever (52) to the Leg Lever Frame (57) with a 3/8" x 3" Bolt (4), 3/8" Washer (7) and 3/8" Nylock Nut (1). Do not overtighten the Nylock Nut. Insert the Hitch Pin (86) through the indicated hole in the Leg Lever Frame and Leg Lever.

Press a Tube Cap (22) into each end of a Pad Tube (26).

Insert the Pad Tube (26) in the Leg Lever (52). Center the Pad Tube and slide a 6" Foam Pad (23) onto each end of it.



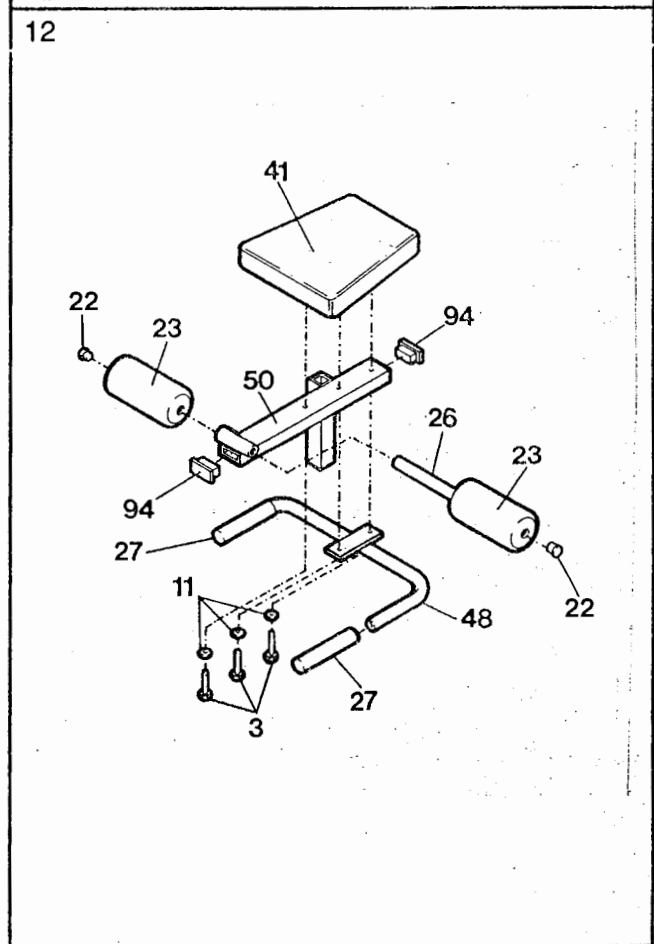
12. Press a 1" x 2" Inner Cap (94) into each end of the Short Seat Post (50).

Slide a 5 1/2" Foam Grip (27) onto each end of a "U" Handle (48). It may be helpful to wet the Handle with soapy water.

Attach the "U" Handle (48) and the Short Seat Post (50) to the Large Seat (41) with three 3/8" x 2" Bolts (3) and 3/8" Lock Washers (11).

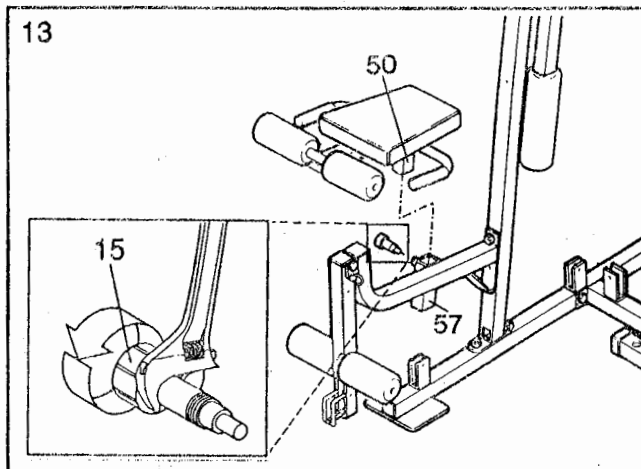
Press a Tube Cap (22) into each end of a Pad Tube (26).

Center the Pad Tube (26) in the Short Seat Post (50). Slide a 6" Foam Pad (23) onto each end of the Pad Tube.

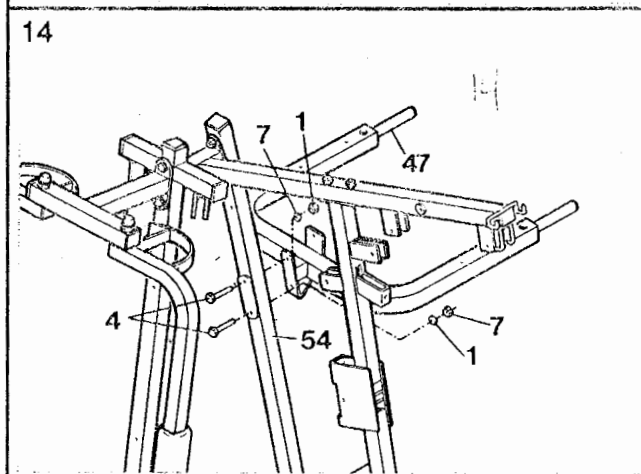


13. Using an adjustable wrench, tighten the shaft of a Lock Knob (15) into the Leg Lever Frame (57) (see the inset drawing).

Turn the Lock Knob (15) counterclockwise and pull it outward (see page 23). Insert the Short Seat Post (50) into the Leg Lever Frame (57) and adjust it to the desired height. Release the Lock Knob and turn it clockwise until it stops. **Make sure that the pin of the Lock Knob is in one of the holes in the Short Seat Post.**



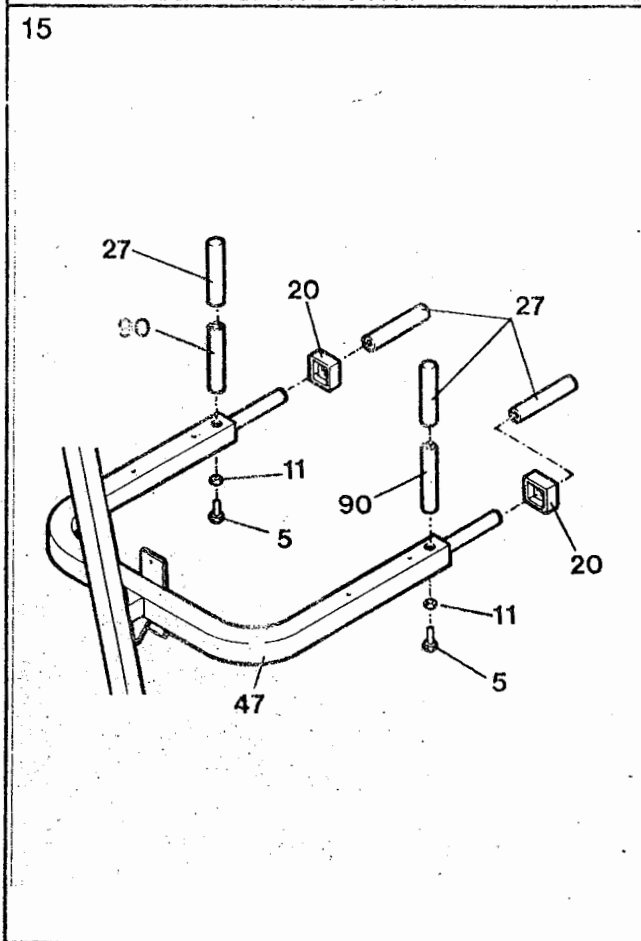
14. Attach the VKR Frame (47) to the VKR Upright (54) with two 3/8" x 3" Bolts (4), 3/8" Washers (7) and 3/8" Nylock Nuts (1).



15. Find the ends of the two 9 3/8" Handles (90) that contain inset nuts. Insert those ends of the Handles into the VKR Frame (47). Attach each Handle with a 3/8" x 1 1/2" Bolt (5) and 3/8" Lock Washer (11).

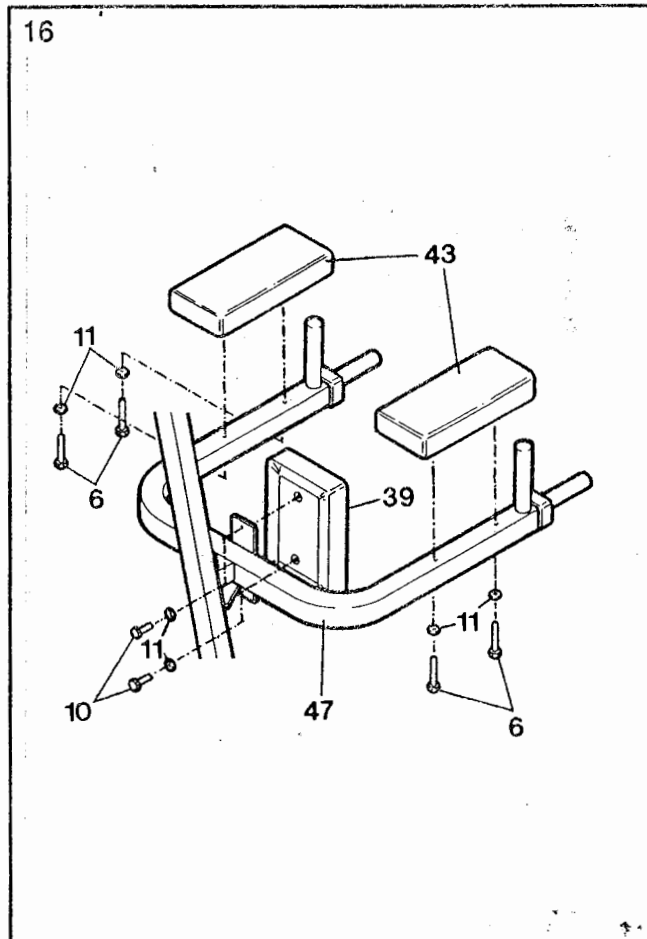
Press two 2" x 2" Outer Caps w/Holes (20) onto the ends of the VKR Frame (47).

Slide a 5 1/2" Foam Grip (27) onto each 9 3/8" Handle (90). Slide a 5 1/2" Foam Grip (27) onto each end of the VKR Frame (47). It may be helpful to wet the Handles and the VKR Frame with soapy water.



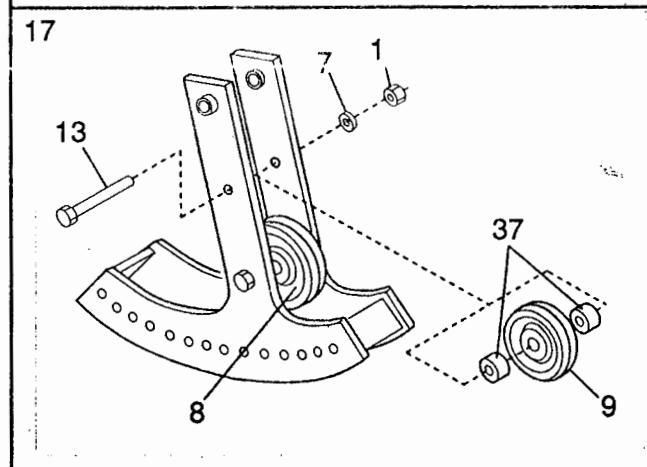
16. Attach a Small Backrest (39) to the center of the VKR Frame (47) with the two 3/8" x 1" Bolts (10) and two 3/8" Lock Washers (11).

Attach an Armrest (43) to each side of the VKR Frame (47) with two 3/8" x 2 1/2" Bolts (6) and 3/8" Lock Washers (11).



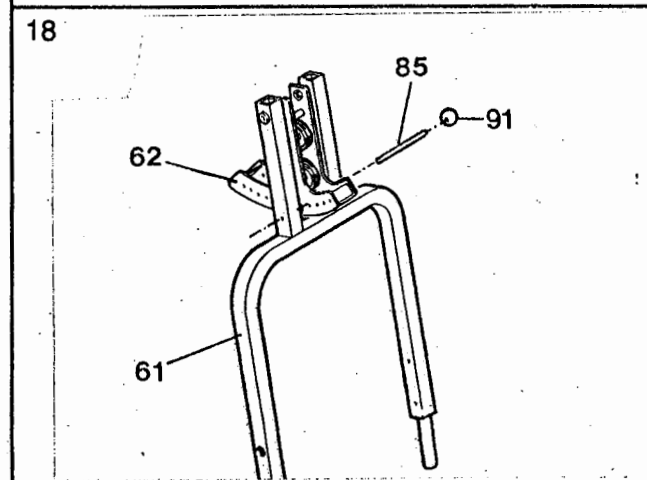
17. Insert a 3/8" x 4" Hex Bolt (13) into one side of the Adjuster (62). Slide a 1" Spacer (37), a 3 1/2" Pulley (9) and another 1" Spacer (37) onto the Bolt. Insert the Bolt through the other side of the Adjuster. Tighten a 3/8" Nylock Nut (1) with a 3/8" Washer (7) onto the Bolt.

Attach a 4 1/2" Pulley (8) to the Adjuster (62) in the same manner.

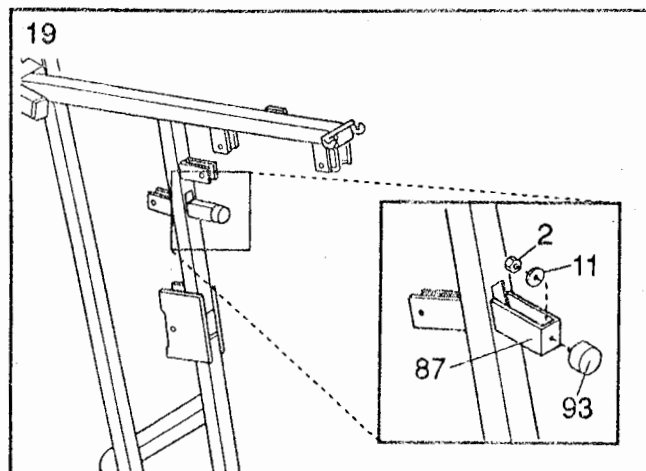


18. Tighten the Pin Knob (91) onto the 10 3/4" Pin (85).

Hold the Adjuster (62) between the posts on the Press Arm (61) as shown. Insert the 10 3/4" Pin (85) through the Press Arm and one of the holes in the Adjuster.

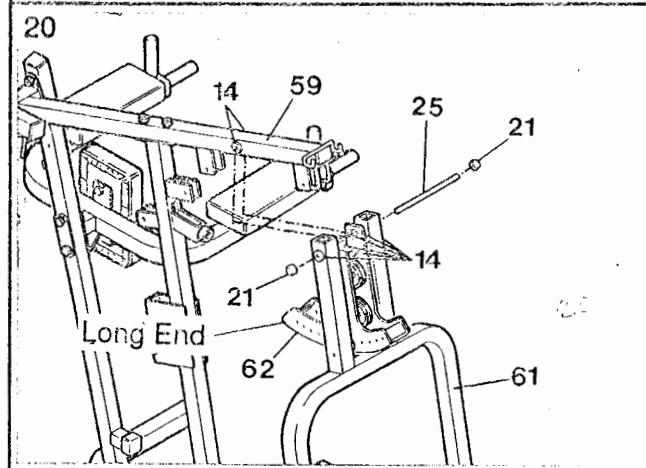


19. Attach a Bumper w/Shaft (93) to the indicated bracket on the Front Upright (87) with a 3/8" Lock Washer (11) and 3/8" Nut (2).



20. Grease the insides of the four 3/4" Brass Bushings (14) in the Press Arm (61), the two 3/4" Brass Bushings in the Adjuster (62) and the two 3/4" Brass Bushings in the Frame Top (59).

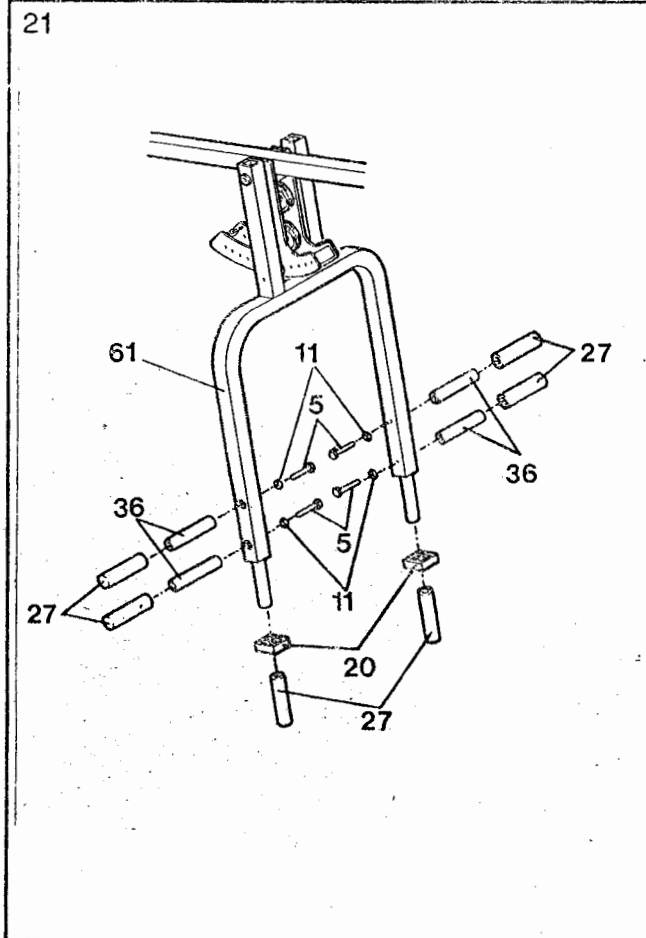
Align the 3/4" Brass Bushings (14) in the Press Arm (61) and the Adjuster (62) with the 3/4" Brass Bushings in the Frame Top (59). Make sure that the Press Arm is turned so the long end of the Adjuster is on the side shown. Using a rubber mallet, tap the 10 1/2" Axle (25) through the Press Arm, Adjuster and Frame Top. Center the 10 1/2" Axle and tap a 3/4" Plastic Cap (21) onto each end of it.



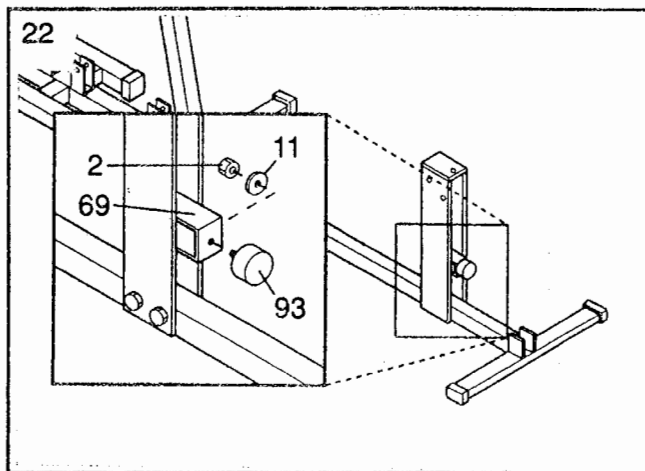
21. Find the ends of the four 7 1/2" Handles (36) that contain inset nuts, insert those ends of the Handles into the Press Arm (61). Attach each Handle with a 3/8" x 1 1/2" Bolt (5) and 3/8" Lock Washer (11).

Press two 2" x 2" Outer Caps w/Holes (20) onto the Press Arm (61).

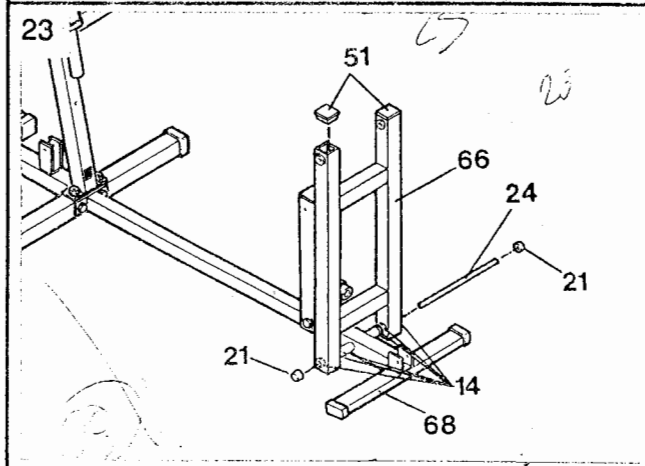
Slide a 5 1/2" Foam Grip (27) onto each 7 1/2" Handle (36). Slide a 5 1/2" Foam Grip onto each end of the Press Arm (61). It may be helpful to wet the Handles and the Press Arm with soapy water.



22. Attach a Bumper w/Shaft (93) to the bracket on the Leg Press Support (69) with a 3/8" Lock Washer (11) and 3/8" Nut (2).



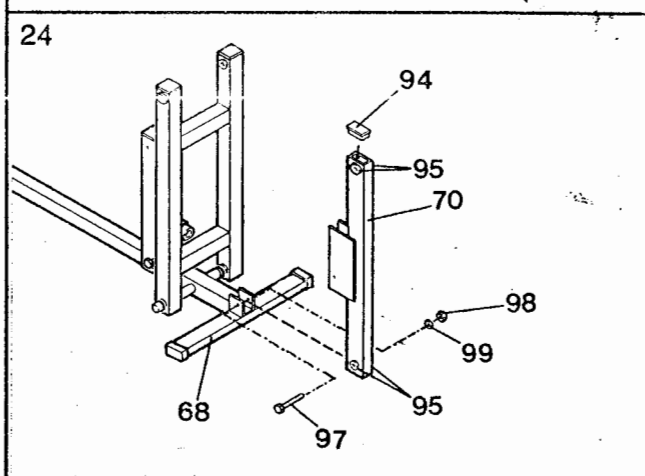
23. Hold the Leg Press "H" Frame (66) in a vertical position and press two 2" x 2" Inner Caps w/Cutouts (51) into the upper end.



Grease the insides of the four 3/4" Brass Bushings (14) in the lower end of the Leg Press "H" Frame (66) and the two 3/4" Brass Bushings in the Leg Press Stabilizer (68).

Align the 3/4" Brass Bushings (14) in the lower end of the Leg Press "H" Frame (66) with the 3/4" Brass Bushings in the Leg Press Stabilizer (68). Using a rubber mallet, tap a 13 1/4" Axle (24) through the Leg Press "H" Frame and the Leg Press Stabilizer. Center the 13 1/4" Axle and tap a 3/4" Plastic Cap (21) onto each end of it.

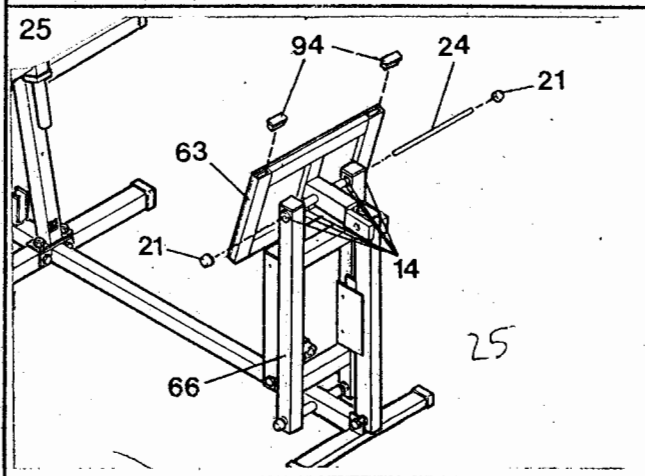
24. Hold the Leg Press Lever (70) in a vertical position and press a 1" x 2" Inner Cap (94) into the upper end.



Grease the insides of the 1/2" Brass Bushings (95) in the upper and lower ends of the Leg Press Lever (70).

Align the two 1/2" Brass Bushings (95) in the lower end of the Leg Press Lever (70) with the indicated holes in the Leg Press Stabilizer (68). Attach the Leg Press Lever with a 1/2" x 3" Bolt (97), 1/2" Washer (99) and 1/2" Nylock Nut (98). Do not overtighten the Nylock Nut.

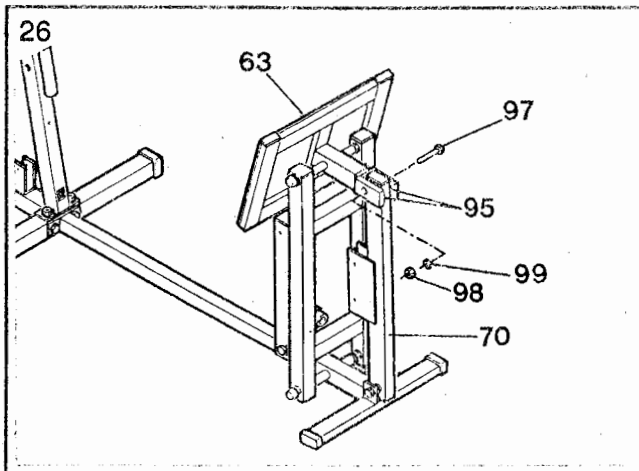
25. Grease the insides of the two 3/4" Brass Bushings (14) in the Leg Press Plate (63), and the four 3/4" Brass Bushings in the upper end of the Leg Press "H" Frame (66).



Align the 3/4" Brass Bushings (14) in the Leg Press Plate (63) with the 3/4" Brass Bushings in the Leg Press "H" Frame (66). Make sure that the Leg Press Plate is angled as shown. Using a rubber mallet, tap a 13 1/4" Axle (24) through the Leg Press Plate and the Leg Press "H" Frame. Center the 13 1/4" Axle and tap a 3/4" Plastic Cap (21) onto each end of it.

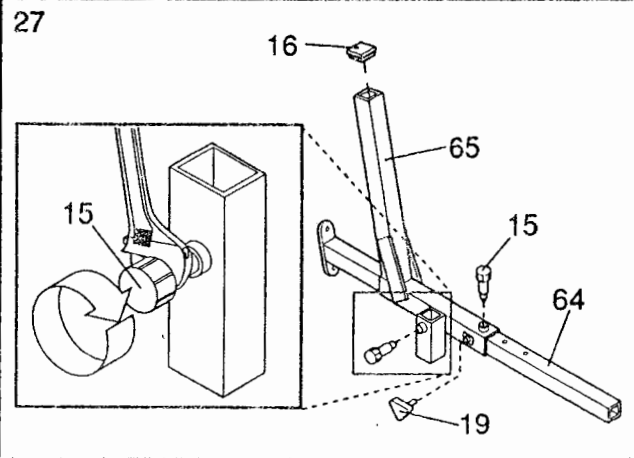
Press two 1" x 2" Inner Caps (94) into the top of the Leg Press Plate (63).

26. Align the two 1/2" Brass Bushings (95) in the upper end of the Leg Press Lever (70) with the indicated holes in Leg Press Plate (63). Attach the Leg Press Lever to the Leg Press Plate with a 1/2" x 3" Bolt (97), 1/2" Washer (99) and 1/2" Nylock Nut (98).



27. Press a 2" x 2" Inner Cap (16) into the upper end of the Leg Press Frame (65).

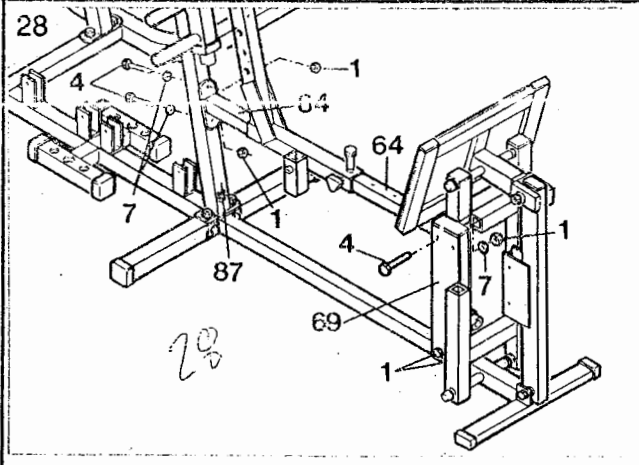
Using an adjustable wrench, tighten the shaft of a Lock Knob (15) into the side of the Leg Press Frame (65) (see the inset drawing). Tighten a Lock Knob into the top of the Leg Press Frame in the same manner.



Thread the Triangle Knob (19) into the side of the Leg Press Frame (65).

Turn the Lock Knob (15) on top of the Leg Press Frame (65) counterclockwise and pull it upward (see page 23). Slide the Leg Press Frame onto the Leg Press Rail (64). Make sure that the Leg Press Rail is turned so that the bracket on the end is angled as shown. Release the Lock Knob and turn it clockwise until it stops. **Make sure that the pin of the Lock Knob is in one of the holes in the Leg Press Rail.**

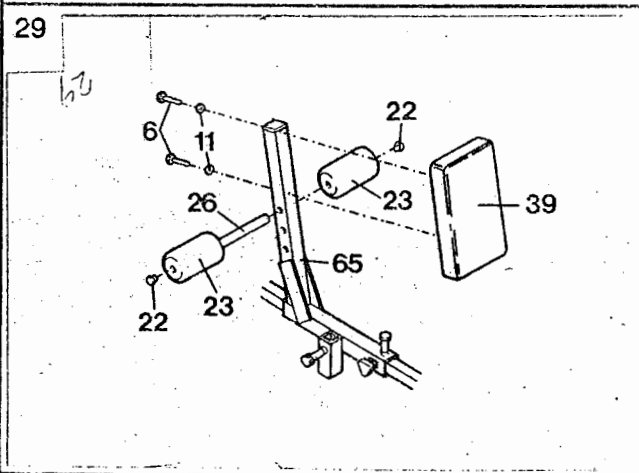
Tighten the Triangle Knob (19).



28. Slide the end of the Leg Press Rail (64) into the top of the Leg Press Support (69). Attach the Leg Press Rail with a 3/8" x 3" Bolt (4), 3/8" Washer (7) and 3/8" Nylock Nut (1).

Attach the Leg Press Rail (64) to the Front Upright (87) with two 3/8" x 3" Bolts (4), 3/8" Washers (7) and 3/8" Nylock Nuts (1).

Tighten the 3/8" Nylock Nuts (1) at the lower end of the Leg Press Support (69).



29. Press a Tube Cap (22) into each end of a Pad Tube (26).

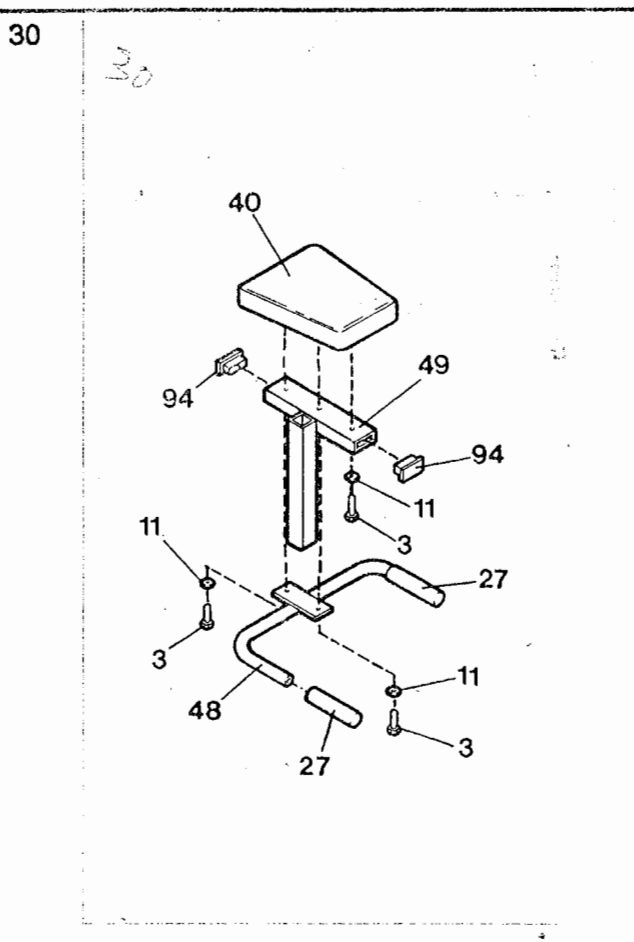
Insert the Pad Tube (26) in the Leg Press Frame (65). Center the Pad Tube and slide a 6" Foam Pad (23) onto each end of it.

Attach a Small Backrest (39) to the Leg Press Frame (65) with two 3/8" x 2 1/2" Bolts (6) and 3/8" Lock Washers (11).

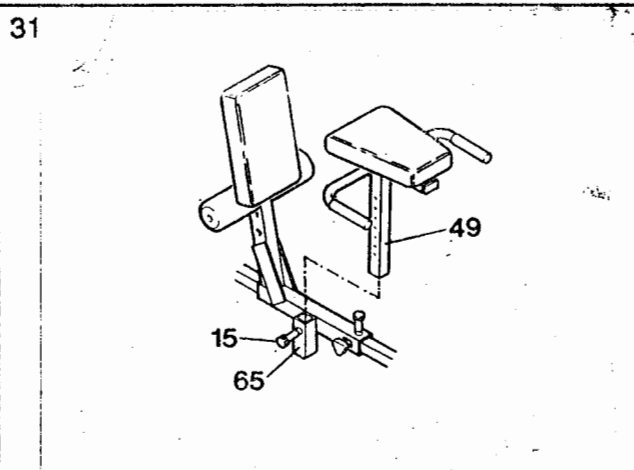
30. Press a 1" x 2" Inner Cap (94) into each end of the Long Seat Post (49).

Slide a 5 1/2" Foam Grip (27) onto each end of a "U" Handle (48). It may be helpful to wet the Handle with soapy water.

Attach the "U" Handle (48) and the Long Seat Post (49) to the Small Seat (40) with three 3/8" x 2" Bolts (3) and 3/8" Lock Washers (11).

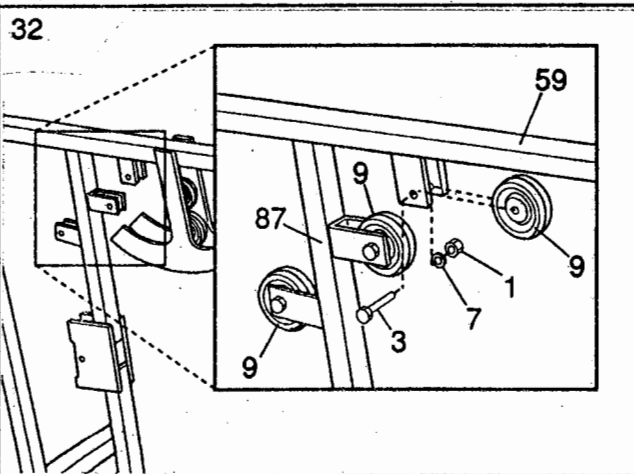


31. Turn the Lock Knob (15) on the side of the Leg Press Frame (65) counterclockwise and pull it outward. Insert the Long Seat Post (49) into the Leg Press Frame and adjust it to the desired height. Release the Lock Knob and turn it clockwise until it stops. **Make sure that the pin of the Lock Knob is in one of the holes in the Leg Press Frame.**

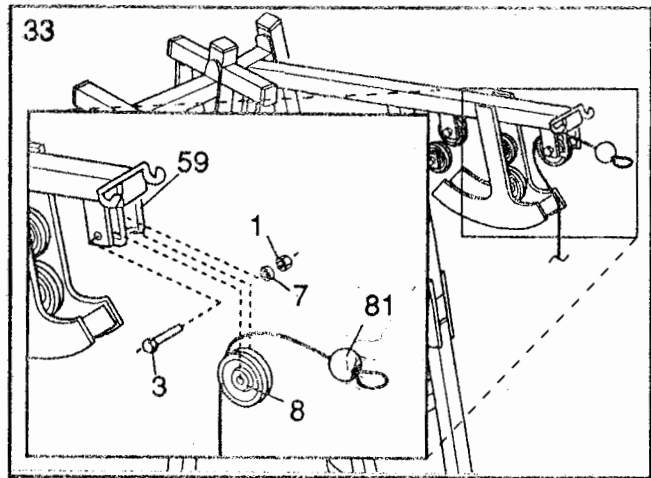


32. Attach a 3 1/2" Pulley (9) to the indicated bracket on the Frame Top (59) with a 3/8" x 2" Bolt (3), 3/8" Washer (7) and 3/8" Nylock Nut (1).

Attach two 3 1/2" Pulleys (9) to the indicated brackets on the Front Upright (87) in the same manner.

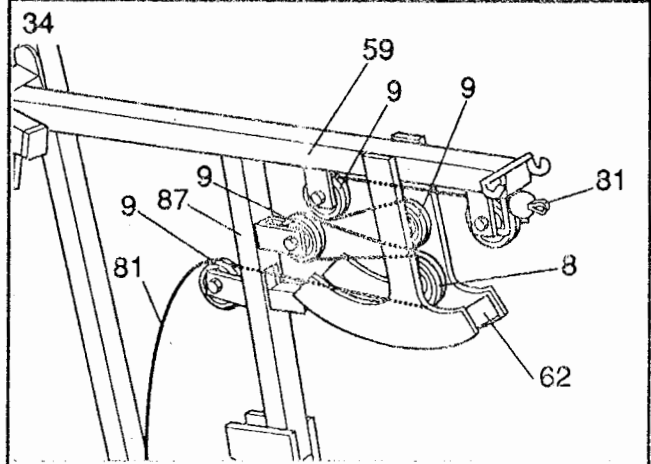


33. Find Cable #111652 (81), the Cable with a ball on one end and an eyelet on the other end. Lay the ball-end of the Cable over a 4 1/2" Pulley (8). Attach the 4 1/2" Pulley to the bracket on the front of the Frame Top (59) with a 3/8" x 2" Bolt (3), 3/8" Washer (7) and 3/8" Nylock Nut (1).

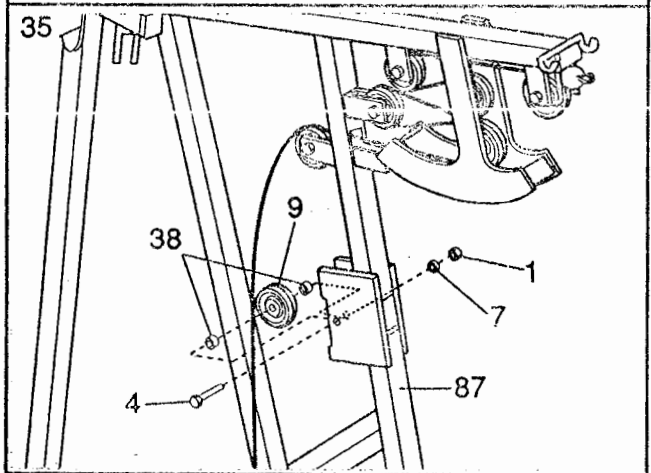


34. Route the eyelet-end of Cable #111652 (81) as follows:

- through the Adjuster (62) and around the 3 1/2" Pulley (9) on the Frame Top (59)
- around the 3 1/2" Pulley (9) in the Adjuster (62)
- around the upper 3 1/2" Pulley (9) on the Front Upright (87)
- around the 4 1/2" Pulley (8) in the Adjuster (62)
- through the hole in the Front Upright (87) and over the indicated 3 1/2" Pulley (9).

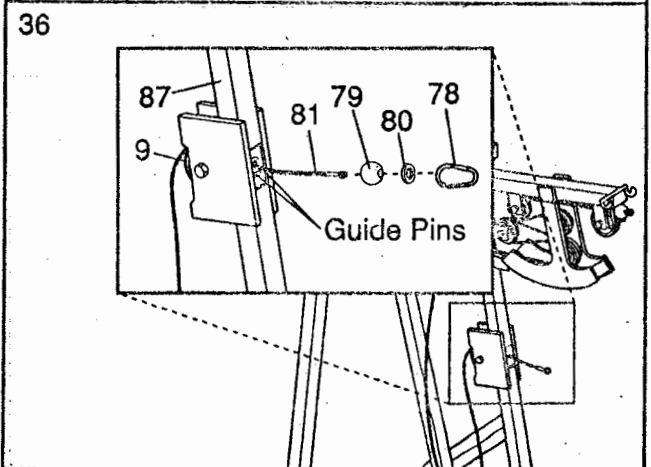


35. Insert a 3/8" x 3" Bolt (4) into one side of the indicated bracket on the Front Upright (87). Slide a 1/2" Spacer (38), a 3 1/2" Pulley (9) and another 1/2" Spacer (38) onto the Bolt. Insert the Bolt through the other side of the bracket. Tighten a 3/8" Nylock Nut (1) with a 3/8" Washer (7) onto the Bolt.

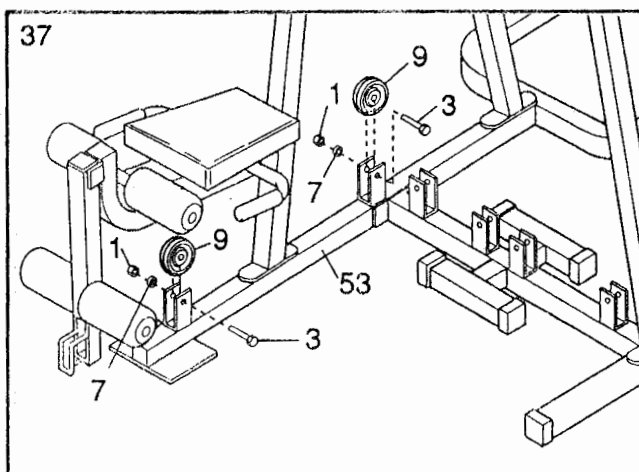


36. Route the eyelet-end of Cable #111652 (81) over the indicated 3 1/2" Pulley (9) and through the Front Upright (87). Make sure that the Cable is between the guide pins.

Slide the Cable Ball (79) and the 5/8" Washer (80) onto the end of Cable #111652 (81). Attach a Cable Clip (78) to the end of the Cable.

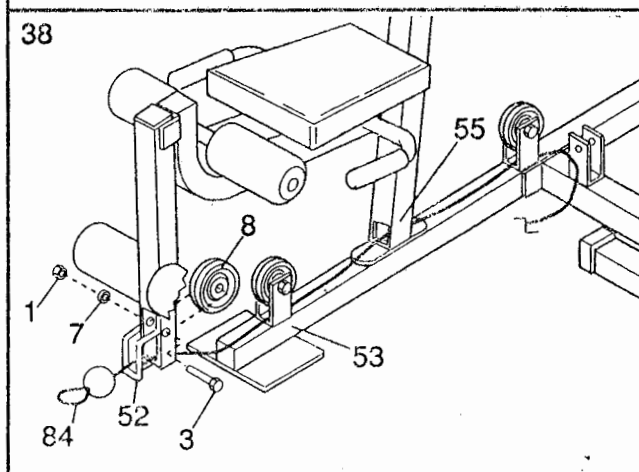


37. Attach two 3 1/2" Pulleys (9) to the indicated brackets on the Stabilizer (53) with 3/8" x 2" Bolts (3), 3/8" Washers (7) and 3/8" Nylock Nuts (1).



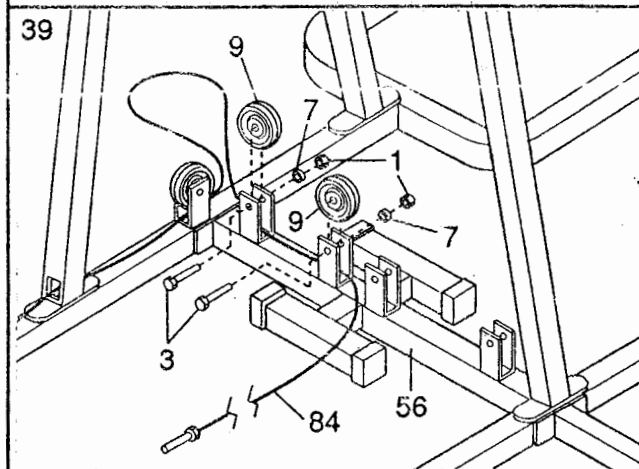
38. Find Cable #111650 (84), the Cable with a ball on one end and a bolt on the other end. Route the bolt-end of the Cable as follows:

- through the lower end of the Leg Lever (52)
- through the first bracket on the Stabilizer (53)
- through the hole in the Butterfly Upright (55)
- through the second bracket on the Stabilizer (53)



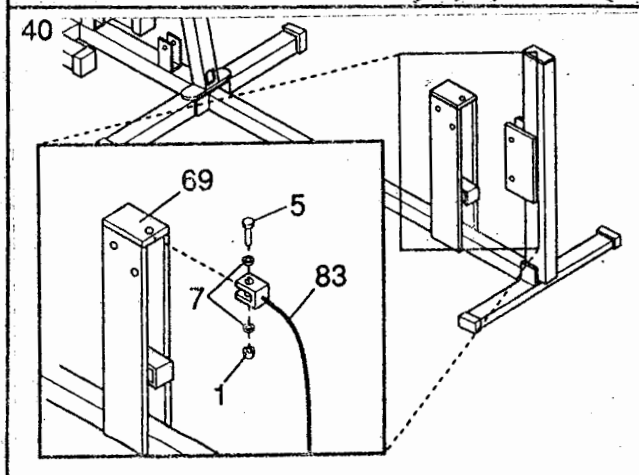
Attach a 4 1/2" Pulley (8) to the lower end of the Leg Lever (52) with a 3/8" x 2" Bolt (3), 3/8" Washer (7) and 3/8" Nylock Nut (1). Make sure that Cable #111650 (84) is under the 4 1/2" Pulley.

39. Route the bolt-end of Cable #111650 (84) through the two indicated brackets on the Base (56).

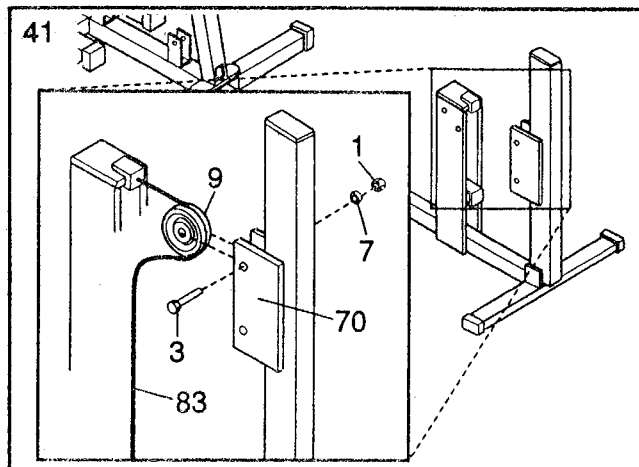


Attach two 3 1/2" Pulleys (9) to the indicated brackets on the Base (56) with 3/8" x 2" Bolts (3), 3/8" Washers (7) and 3/8" Nylock Nuts (1).

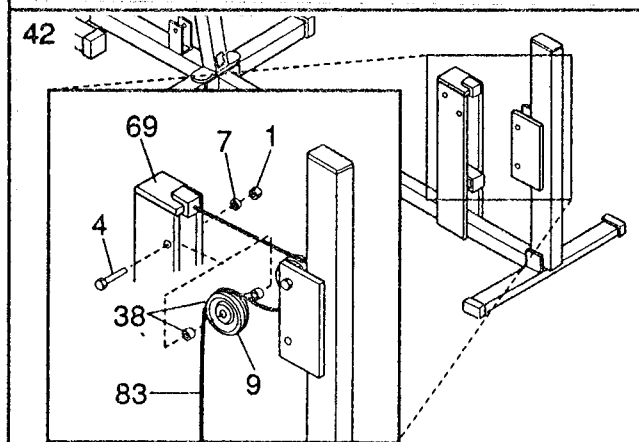
40. Find Cable #111651 (83), the Cable with a "U" bracket on one end and a bolt on the other end. Attach the "U" bracket-end of the Cable to the top of the Leg Press Support (69) with a 3/8" x 1 1/2" Bolt (5), two 3/8" Washers (7) and a 3/8" Nylock Nut (1).



41. Wrap Cable #111651 (83) around a 3 1/2" Pulley (9) as shown. Attach the 3 1/2" Pulley to the top of the bracket on the Leg Press Lever (70) with a 3/8" x 2" Bolt (3), 3/8" Washer (7) and 3/8" Nylock Nut (1).

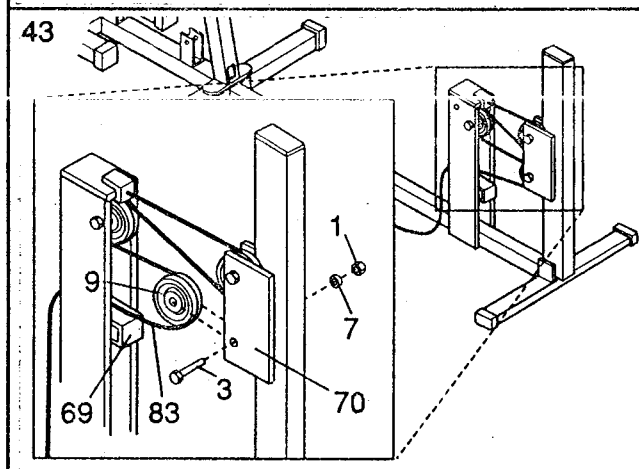


42. Wrap Cable #111651 (83) around a 3 1/2" Pulley (9) as shown. Insert a 3/8" x 3" Bolt (4) into one side of the Leg Press Support (69). Slide a 1/2" Spacer (38), the 3 1/2" Pulley with Cable #111651 and another 1/2" Spacer (38) onto the Bolt. Insert the Bolt through the other side of the Leg Press Support. Tighten a 3/8" Nylock Nut (1) with a 3/8" Washer (7) onto the Bolt.



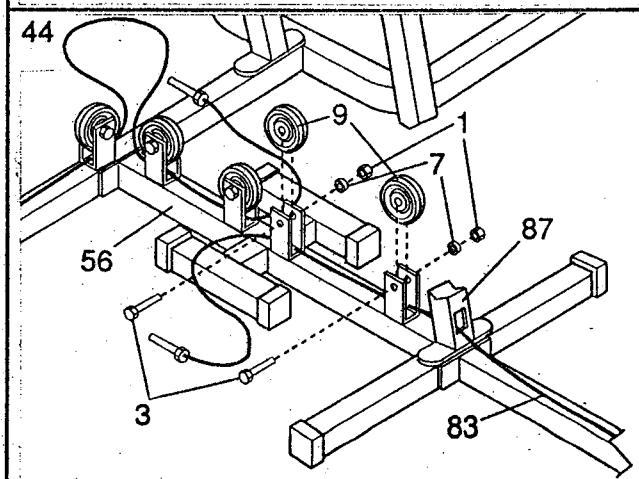
43. Wrap Cable #111651 (83) around a 3 1/2" Pulley (9) as shown. Attach the 3 1/2" Pulley to the bottom of the bracket on the Leg Press Lever (70) with a 3/8" x 2" Bolt (3), 3/8" Washer (7) and 3/8" Nylock Nut (1).

Route the bolt-end of Cable #111651 (83) through the Leg Press Support (69). Make sure that the Cable is on top of the bracket on the Leg Lever Support.

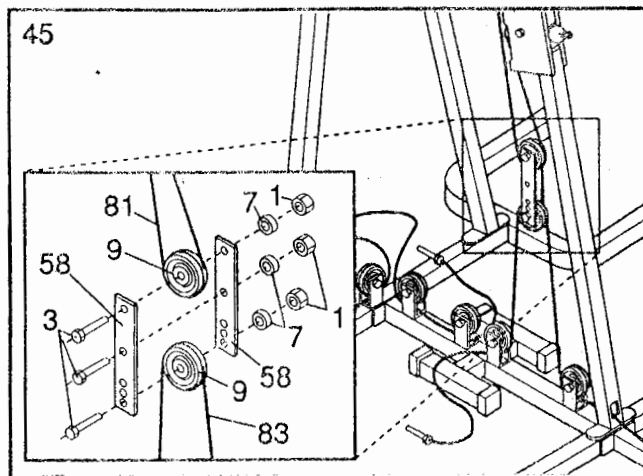


44. Route the bolt-end of Cable #111651 (83) through the hole in the Front Upright (87), and through the two indicated brackets on the Base (56).

Attach two 3 1/2" Pulleys (9) to the indicated brackets on the Base (56) with 3/8" x 2" Bolts (3), 3/8" Washers (7) and 3/8" Nylock Nuts (1).

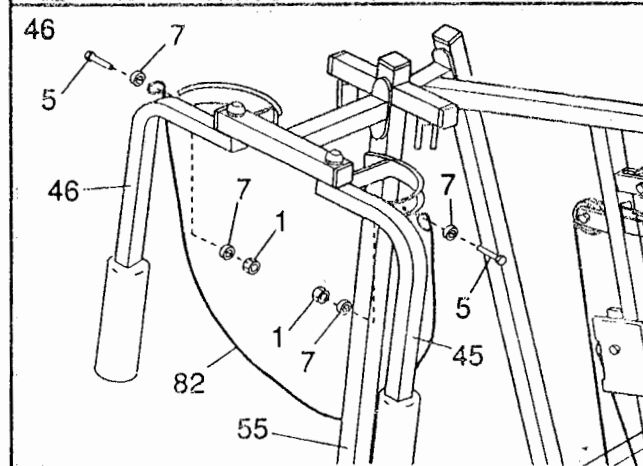


45. Hold a 3 1/2" Pulley (9) in the indicated location in Cable #111652 (81). Attach an "I" Plate (58) to each side of the 3 1/2" Pulley with a 3/8" x 2" Bolt (3), 3/8" Washer (7) and 3/8" Nylock Nut (1). Attach another 3/8" x 2" Bolt (3), 3/8" Washer (7) and 3/8" Nylock Nut (1) below the 3 1/2" Pulley. Make sure that the Cable is between the Bolt and the 3 1/2" Pulley.



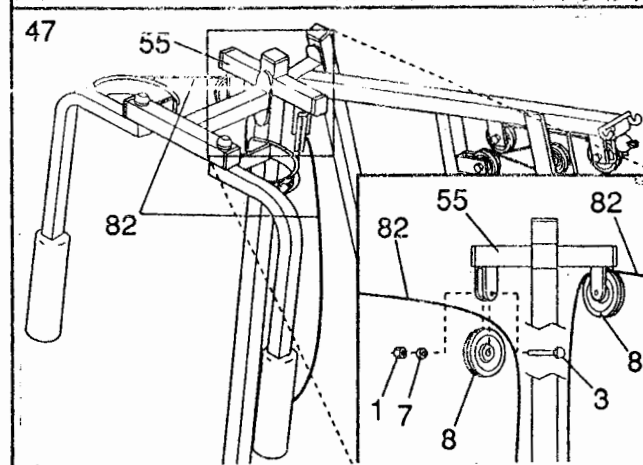
Hold a 3 1/2" Pulley (9) in the indicated location in Cable #111651 (83). Attach the 3 1/2" Pulley to the lower end of the "I" Plates (58) with a 3/8" x 2" Bolt (3), 3/8" Washer (7) and 3/8" Nylock Nut (1).

46. Find Cable #111649 (82), the Cable with a loop on each end. Attach one end of the Cable to the Left Butterfly Arm (45) with a 3/8" x 1 1/2" Bolt (5), two 3/8" Washers (7) and a 3/8" Nylock Nut (1). Do not overtighten the Nylock Nut.



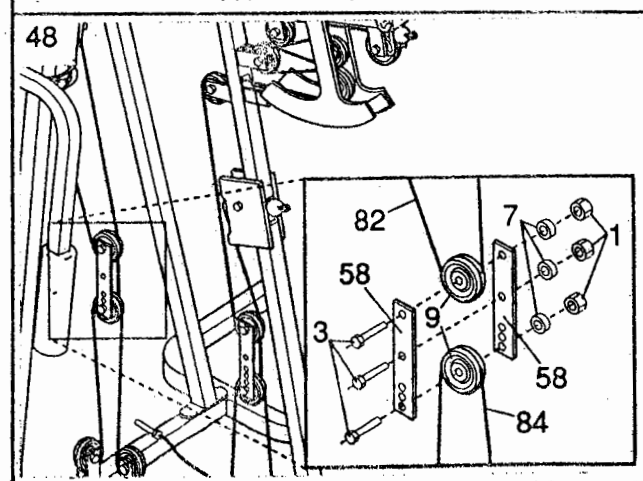
Route Cable #111649 (82) behind the Butterfly Upright (55) and attach the other end of the Cable to the Right Butterfly Arm (46) in the same manner.

47. Lay the right end of Cable #111649 (82) over a 4 1/2" Pulley (8). Attach the 4 1/2" Pulley to the indicated bracket on the Butterfly Upright (55) with a 3/8" x 2" Bolt (3), 3/8" Washer (7) and 3/8" Nylock Nut (1).



Lay the right end of Cable #111649 (82) over a 4 1/2" Pulley (8). Attach the 4 1/2" Pulley to the bracket on the Butterfly Upright (55) in the same manner.

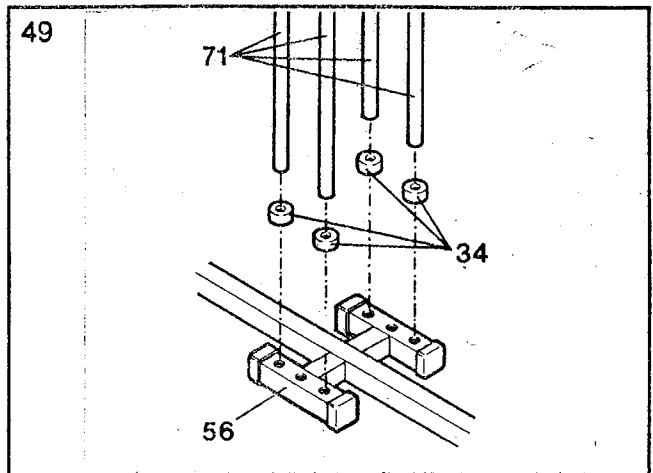
48. Hold a 3 1/2" Pulley (9) in the indicated location in Cable #111649 (82). Attach an "I" Plate (58) to each side of the 3 1/2" Pulley with a 3/8" x 2" Bolt (3), 3/8" Washer (7) and 3/8" Nylock Nut (1). Attach another 3/8" x 2" Bolt (3), 3/8" Washer (7) and 3/8" Nylock Nut (1) below the 3 1/2" Pulley. Make sure that the Cable is between the Bolt and the 3 1/2" Pulley.



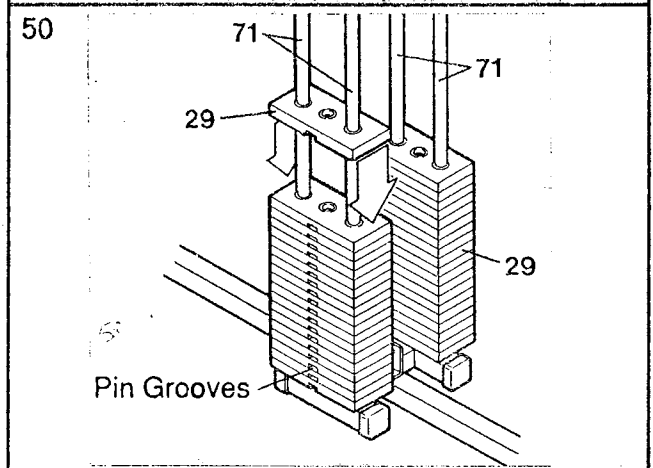
Hold a 3 1/2" Pulley (9) in the indicated location in Cable #111650 (84). Attach the 3 1/2" Pulley to the lower end of the "I" Plates (58) with a 3/8" x 2" Bolt (3), 3/8" Washer (7) and 3/8" Nylock Nut (1).

49. Slide a Weight Bumper (34) onto the lower end of each Weight Guide (71).

Insert the Weight Guides (71) into the indicated holes in the Base (56).

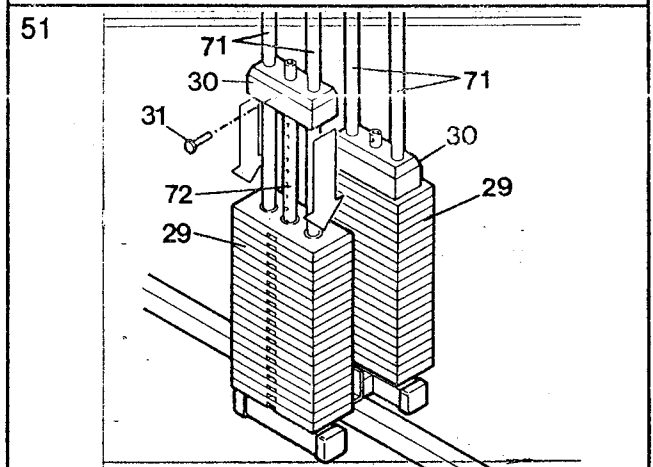


50. Slide 19 Weights (29) onto each pair of Weight Guides (71). Make sure that the Weights are turned so that the pin grooves are downward and outward.



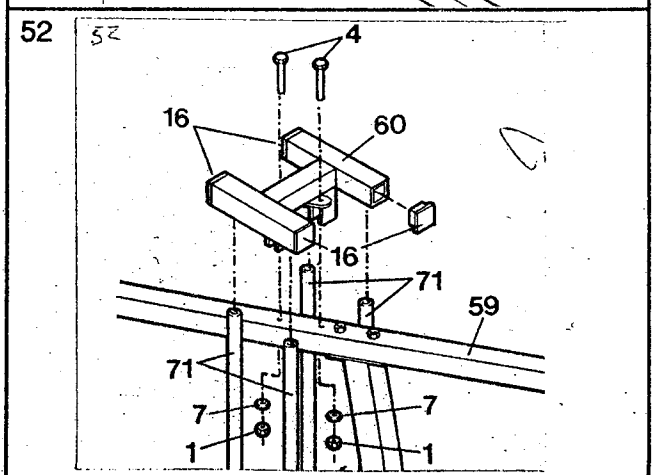
51. Slide a Top Weight (30) onto each pair of Weight Guides (71). Make sure that the holes in the sides of the Top Weights are on the same sides as the pin grooves.

Insert the pointed ends of the two Weight Selectors (72) into the Top Weights (30) and the Weights (29). Align the holes in the sides of the Top Weights with the holes in the upper ends of the Weight Selectors. Attach the Top Weights to the Weight Selectors with 7/16" x 2 1/2" Bolts (31).

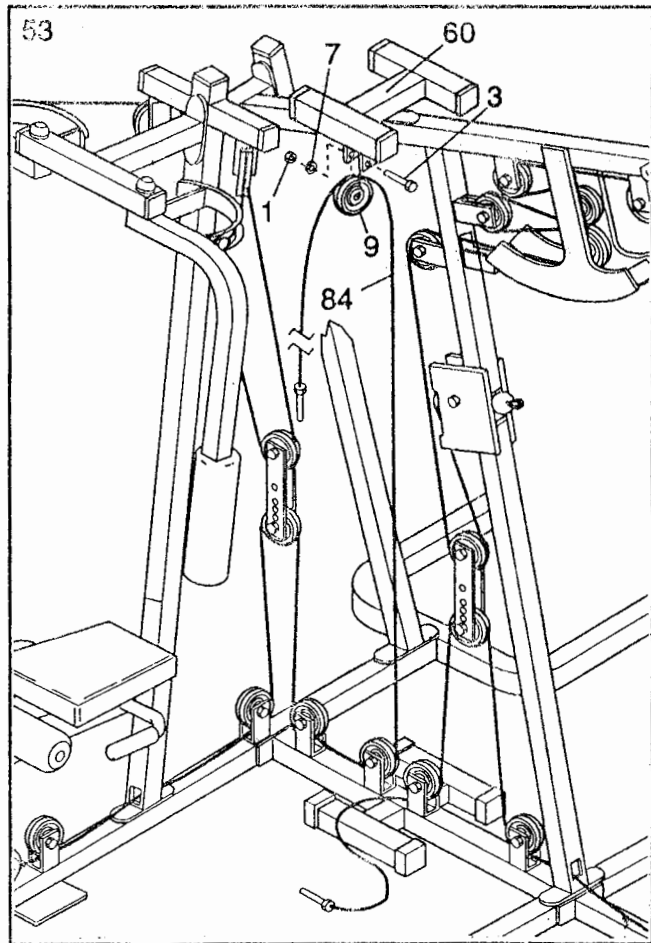


52. Press four 2" x 2" Inner Caps (16) into the Weight Guide Top (60).

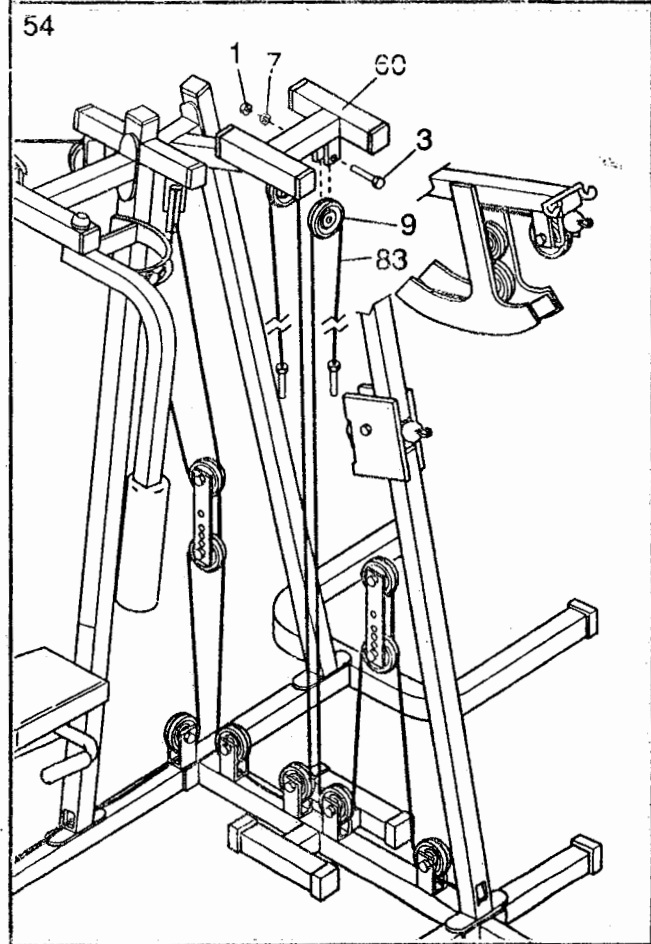
Slide the Weight Guide Top (60) onto the upper ends of the Weight Guides (71) and rest it on the Frame Top (59). Make sure that the Weight Guide Top is turned so that it is parallel with the floor. Attach the Weight Guide Top to the Frame Top with two 3/8" x 3" Bolts (4), 3/8" Washers (7) and 3/8" Nylock Nuts (1).



53. Lay the bolt-end of Cable #111650 (84) over a 3 1/2" Pulley (9). Attach the 3 1/2" Pulley to the indicated bracket on the Weight Guide Top (60) with a 3/8" x 2" Bolt (3), 3/8" Washer (7) and 3/8" Nylock Nut (1).

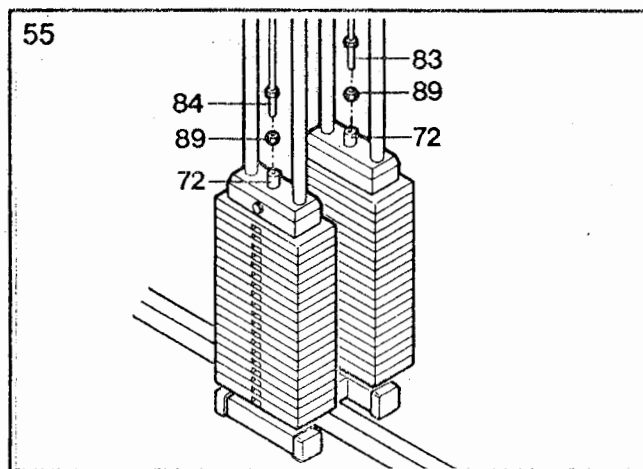


54. Lay the bolt-end of Cable #111651 (83) over a 3 1/2" Pulley (9). Attach the 3 1/2" Pulley to the indicated bracket on the Weight Guide Top (60) with a 3/8" x 2" Bolt (3), 3/8" Washer (7) and 3/8" Nylock Nut (1).

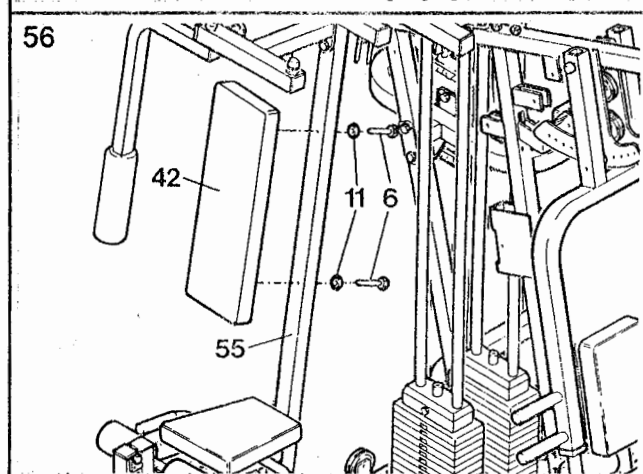


55. Thread a 1/2" Jam Nut (89) about halfway onto the bolt-end of Cable #111650 (84). Tighten the bolt-end of the Cable into the upper end of the Weight Selector (72). Tighten the 1/2" Jam Nut against the Weight Selector.

Attach Cable #111651 (83) to the other Weight Selector (72) in the same manner.

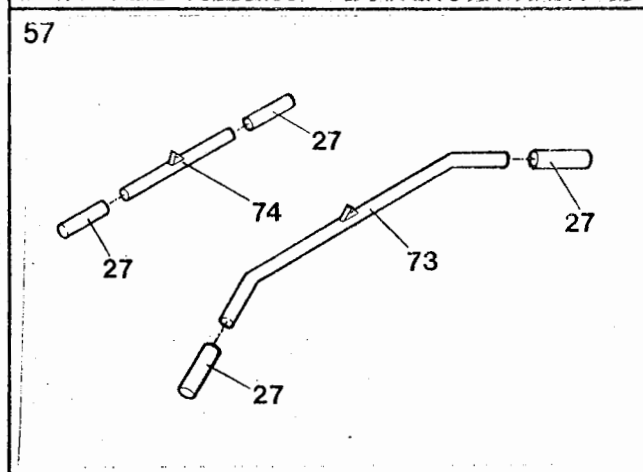


56. Attach the Large Backrest (42) to the Butterfly Upright (55) with two 3/8" x 2 1/2" Bolts (6) and 3/8" Lock Washers (11).



57. Slide a 5 1/2" Foam Grip (27) onto each end of the Rower Bar (74). It may be helpful to wet the Rower Bar with soapy water.

Slide a 5 1/2" Foam Grip (27) onto each end of the Lat Bar (73) in the same manner.



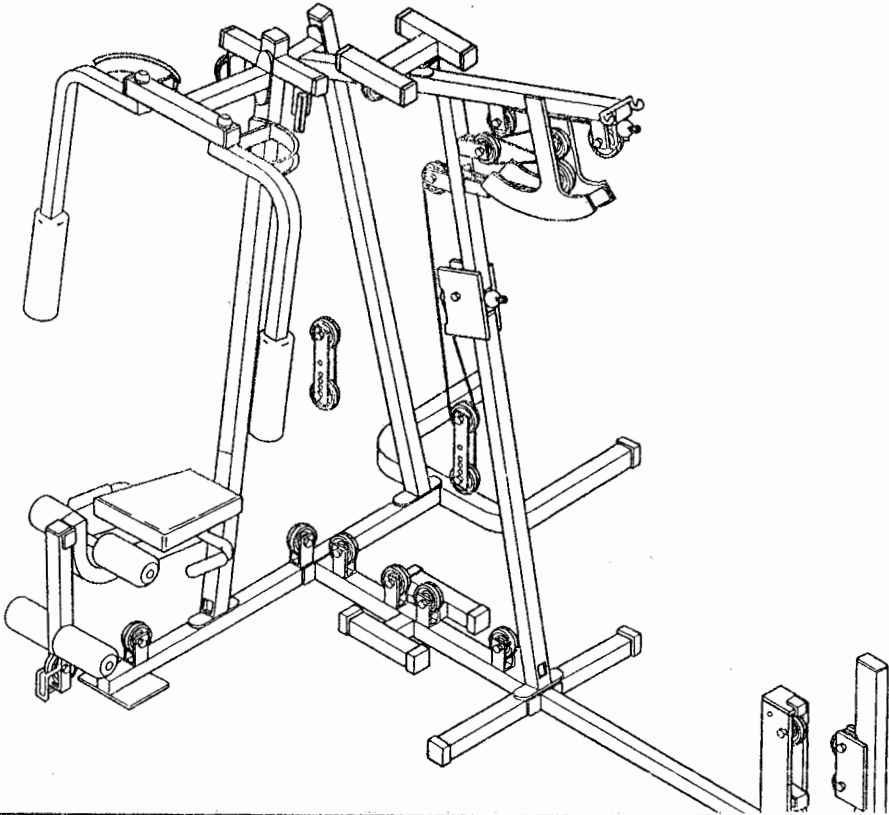
58. Make sure that all parts are tightened securely. The use of all remaining parts is explained in USING THE IMAGE 518, beginning on page 23 of this owner's manual.

59. Before using the IMAGE 518, see the cable diagrams on the next 2 pages and make sure that each cable is properly routed.

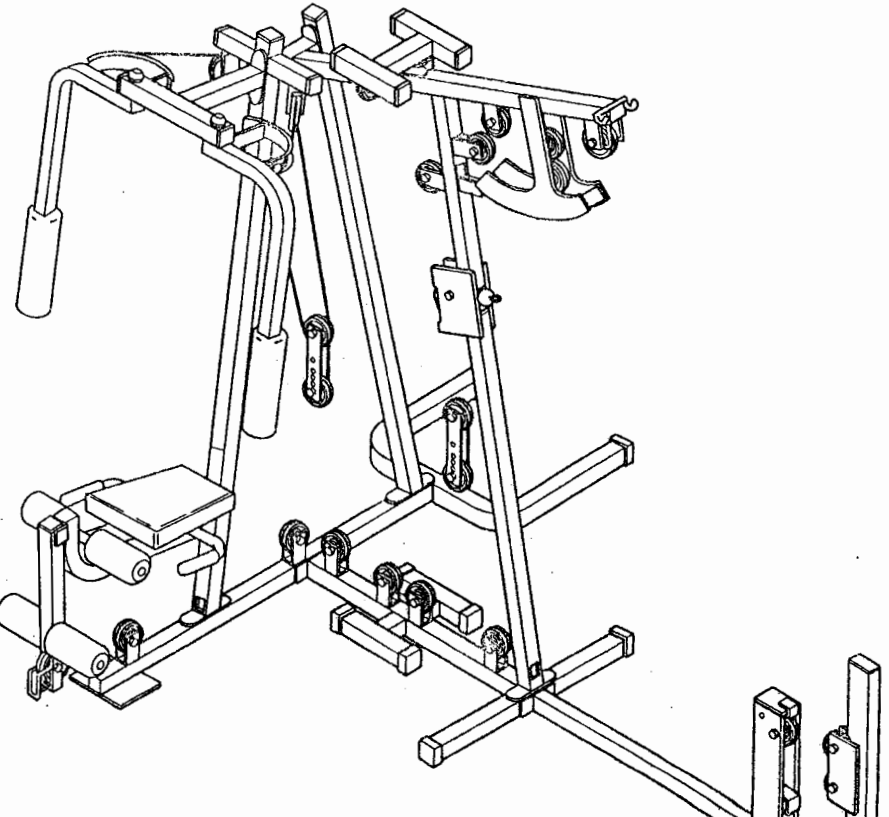
Next, test the cables and pulleys. Make sure that the weight pins are not inserted in the weight stacks—only the top weights should be attached to the weight selectors. Pull the end of each cable a few times to make sure that the cables move smoothly over the pulleys. Move the butterfly arms and the leg press plate a few times. If any of the cables do not move smoothly, locate and correct the problem before using the IMAGE 518. **IMPORTANT: If the cables are not properly routed, they may be permanently damaged when used with heavy weights.**

CABLE DIAGRAMS

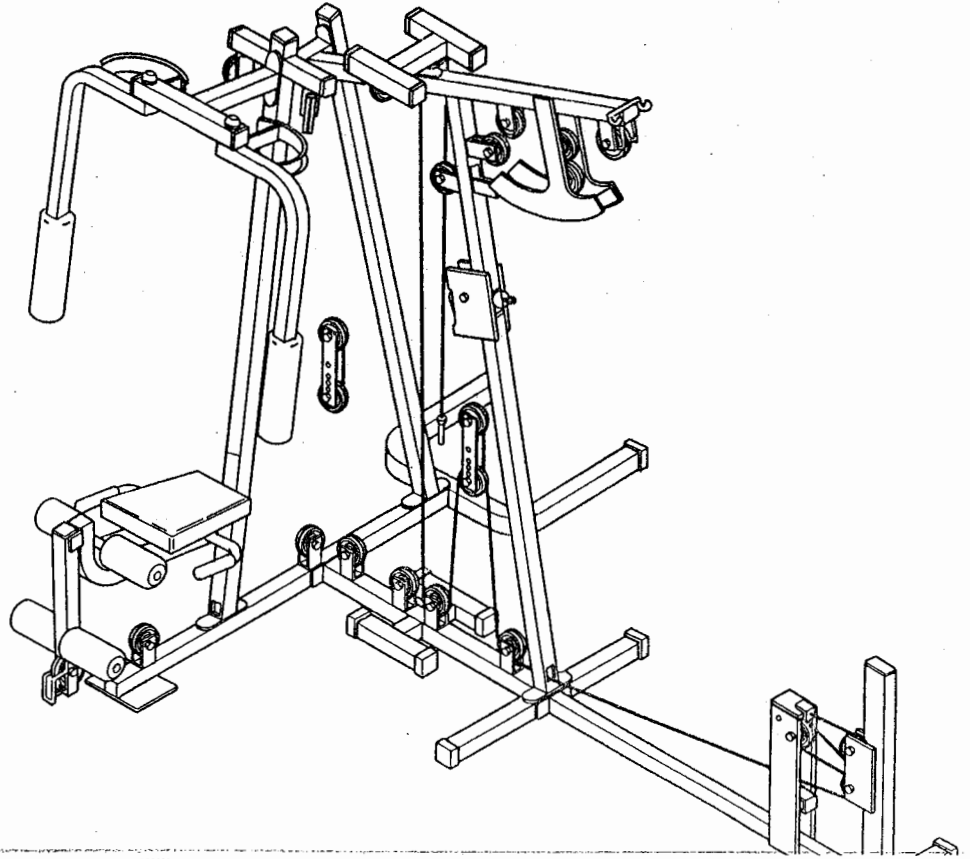
Cable #111652 (81)



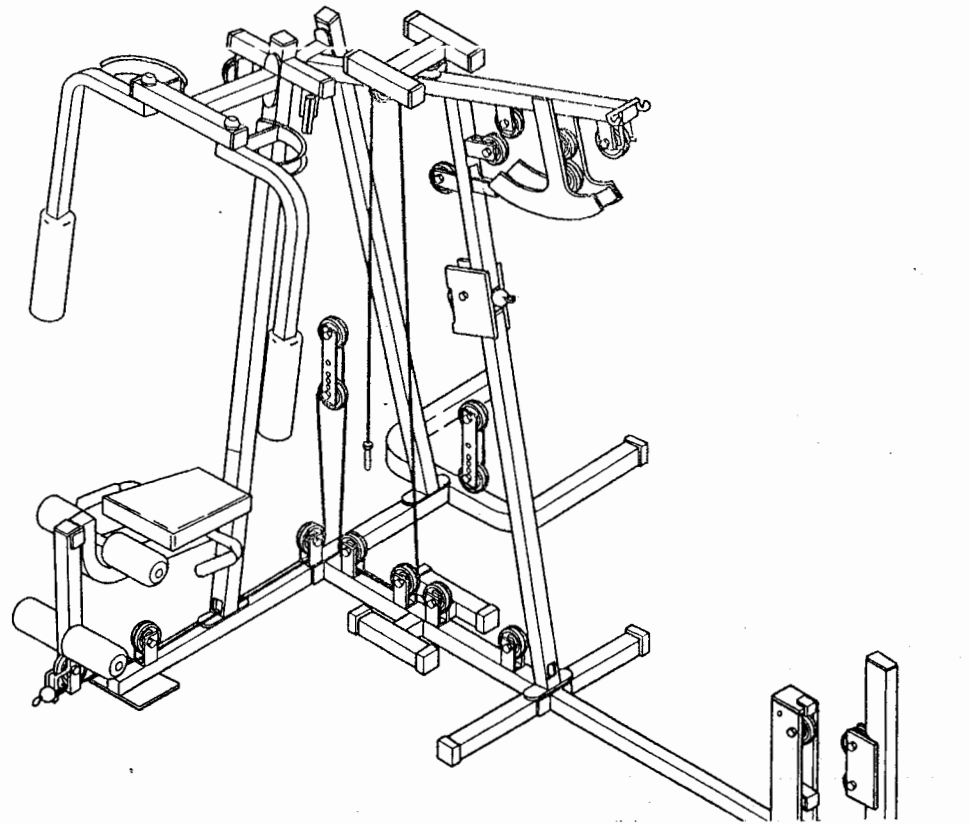
Cable #111649 (82)



Cable #111651 (83)



Cable #111650 (84)

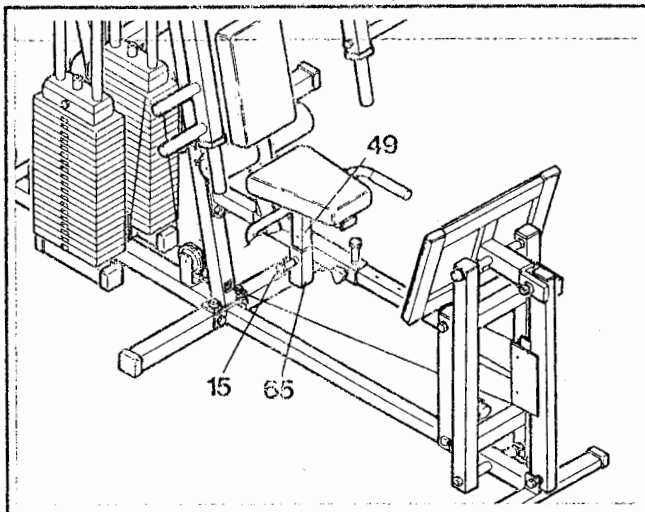


USING THE IMAGE 518

The instructions below describe how each component of the IMAGE 518 can be adjusted. See the Exercise Guide accompanying this owner's manual to see how the IMAGE 518 should be set up for each individual exercise.

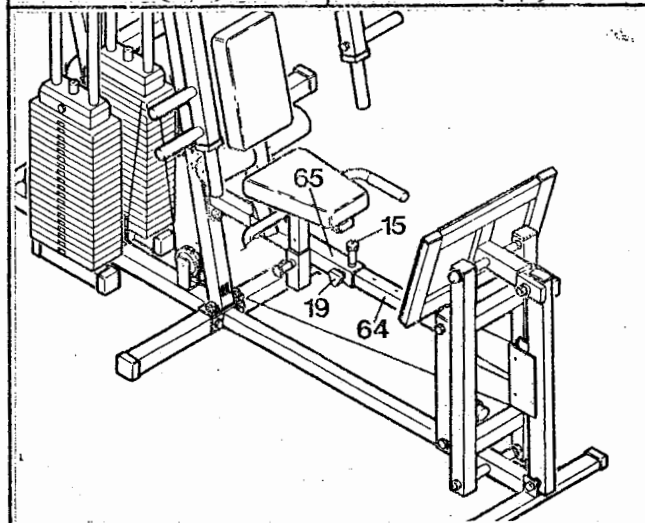
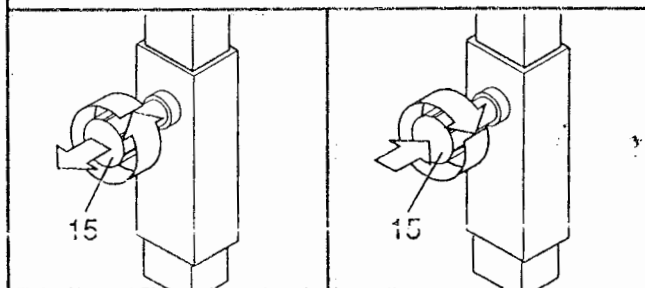
ADJUSTING THE HEIGHT OF THE SMALL SEAT

1. Turn the Lock Knob (15) on the side of the Leg Press Frame (65) counterclockwise until it turns freely. Pull the Lock Knob outward.
2. Raise or lower the Long Seat Post (49) to the desired height. **CAUTION: Be careful to avoid pinching your hand.**
3. Release the Lock Knob (15). Make sure that the pin on the Lock Knob is in one of the holes in the Long Seat Post (49). **CAUTION: If the pin is not in one of the holes, the Long Seat Post could slip during use, resulting in injury.** Push on the Lock Knob and turn it clockwise until it will no longer turn.



ADJUSTING THE POSITION OF THE SMALL SEAT

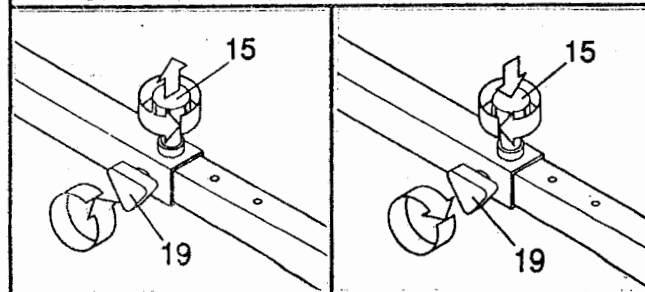
1. Loosen the Triangle Knob (19).
2. Turn the Lock Knob (15) on top of the Leg Press Frame (65) counterclockwise until it turns freely. Pull the Lock Knob up and hold it.
3. Slide the Leg Press Frame (65) forward or backward to the desired position. **CAUTION: Be careful to avoid pinching your hand.**
4. Release the Lock Knob (15), making sure that the pin on the Lock Knob is in one of the holes in the Leg Press Rail (64). **CAUTION: If the pin is not in one of the holes, the Leg Press Frame could slip during use, resulting in injury.** Push on the Lock Knob and turn it clockwise until it will no longer turn.



5. Tighten the Triangle Knob (19).

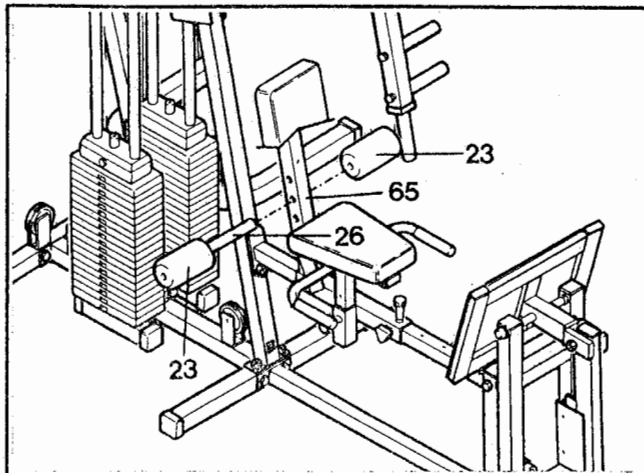
ADJUSTING THE HEIGHT OF THE LARGE SEAT

The Large Seat can be adjusted in the same manner as the Small Seat. See ADJUSTING THE HEIGHT OF THE SMALL SEAT above.



ADJUSTING THE PADS ON THE LEG PRESS

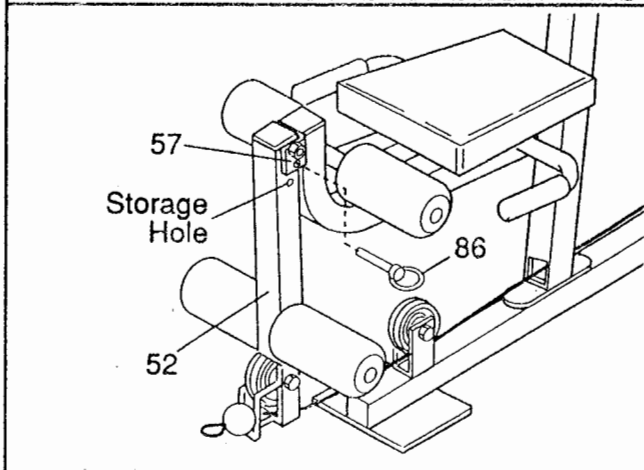
The Foam Pads (23) on the Leg Press Frame (65) can be adjusted to any of three heights. To change the height, first slide one Foam Pad off the Pad Tube (26). Remove the Pad Tube and insert it into a different hole in the Leg Press Frame. Slide the Foam Pad back onto the Pad Tube.



LOCKING THE LEG LEVER

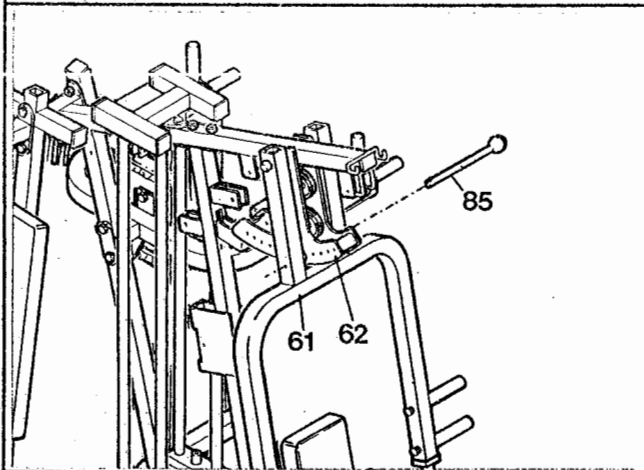
To use the rower bar or the ankle strap with the low cable, the Leg Lever (52) should be locked in a stationary position. To lock it, insert the Hitch Pin (86) through the indicated hole in the Leg Lever Frame (57) and the Leg Lever.

To use the Leg Lever (52), remove the Hitch Pin (86) and insert it into the storage hole in the Leg Lever.



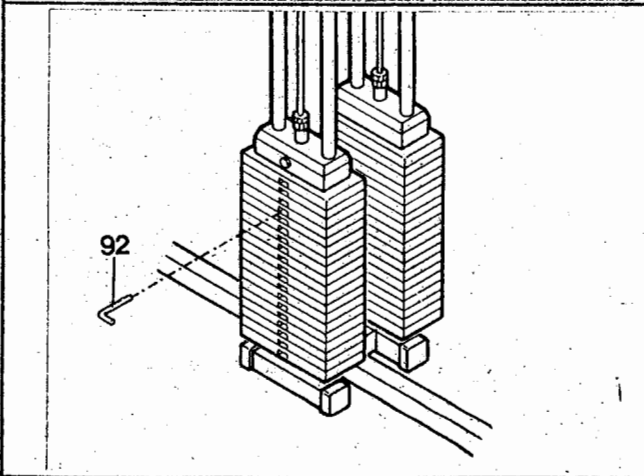
ADJUSTING THE PRESS ARM

The position of the Press Arm (61) can be adjusted for different exercises. To adjust the position, first remove the 10 3/4" Pin (85) from the Press Arm and the Adjuster (62). Pivot the Press Arm forward or backward, and insert the 10 3/4" Pin through the Press Arm and a different hole in the Adjuster.



CHANGING THE WEIGHT SETTING

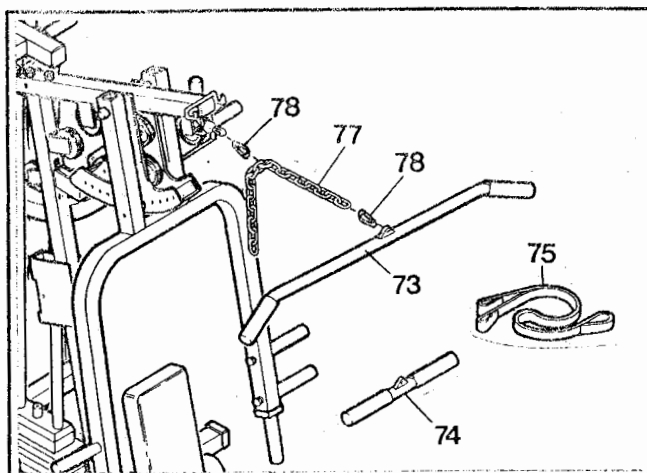
The dual weight stacks allow two exercise stations to be used at the same time. The right weight stack is connected to the low cable, leg lever and butterfly arms. The left weight stack is connected to the high pulley, center pulley and leg press. To increase the weight setting of either weight stack, insert a Weight Pin (92) lower in the stack and turn the end of the pin downward; to decrease the weight setting, insert the weight pin higher in the stack. Each weight, including the top weight, weighs 10 pounds. The weight setting of either weight stack can be changed from 10 pounds up to 200 pounds in increments of 10 pounds. **Note: When using the leg press, the amount of weight will be doubled.**



ATTACHING THE LAT BAR, ROWER BAR OR AB STRAP TO THE UPPER CABLE

The Lat Bar (73) can be attached to the upper cable with a Cable Clip (78). For some exercises, the Chain (77) should be attached between the Lat Bar and the upper Cable with two Cable Clips. The length of Chain between the Lat Bar and the upper cable can be adjusted by attaching the Cable Clips closer together or farther apart along the Chain. Adjust the length of Chain until the Lat Bar is in a comfortable starting position.

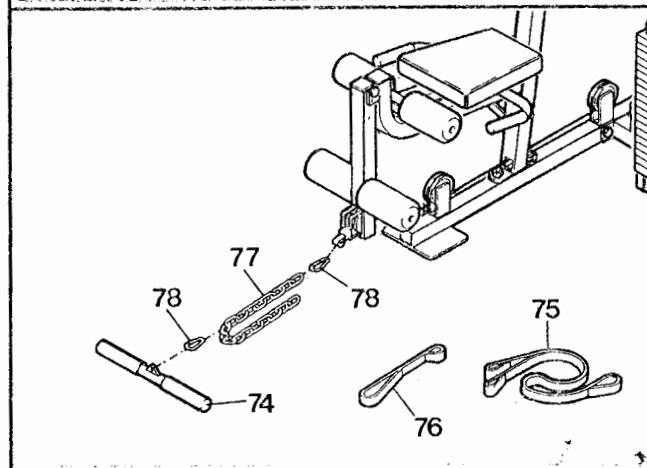
The Rower Bar (74) and Ab Strap (75) can be attached to the upper cable in the same manner.



ATTACHING THE ROWER BAR, AB STRAP OR ANKLE STRAP TO THE LOWER CABLE

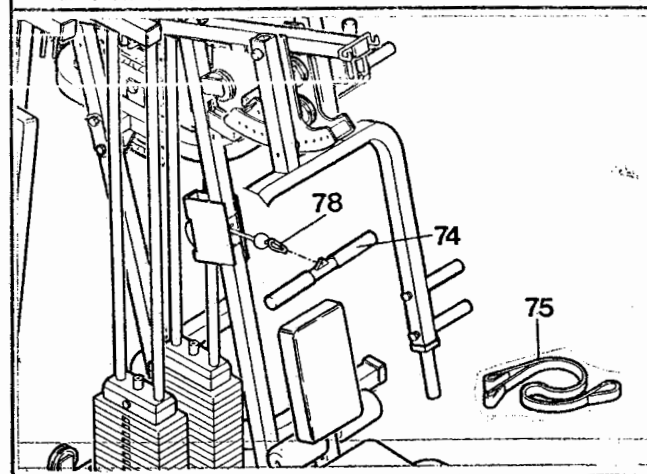
The Rower Bar (74) can be attached to the lower cable with a Cable Clip (78). For some exercises, the Chain (77) should be attached between the Rower Bar and the lower Cable with two Cable Clips. The length of Chain between the Rower Bar and the lower cable can be adjusted by attaching the Cable Clips closer together or farther apart along the Chain. Adjust the length of Chain until the Rower Bar is in a comfortable starting position.

The Ab Strap (75) and Ankle Strap (76) can be attached to the lower cable in the same manner.



ATTACHING THE ROWER BAR OR AB STRAP TO THE CENTER CABLE

The Rower Bar (74) and the Ab Strap (75) can be attached to the center cable with the Cable Clip (78) on the end of the cable.



TROUBLE-SHOOTING AND MAINTENANCE

Inspect and tighten all parts of the IMAGE 518 regularly. Replace any worn part immediately. The IMAGE 518 can be cleaned using a damp cloth and mild non-abrasive detergent. Do not use solvents.

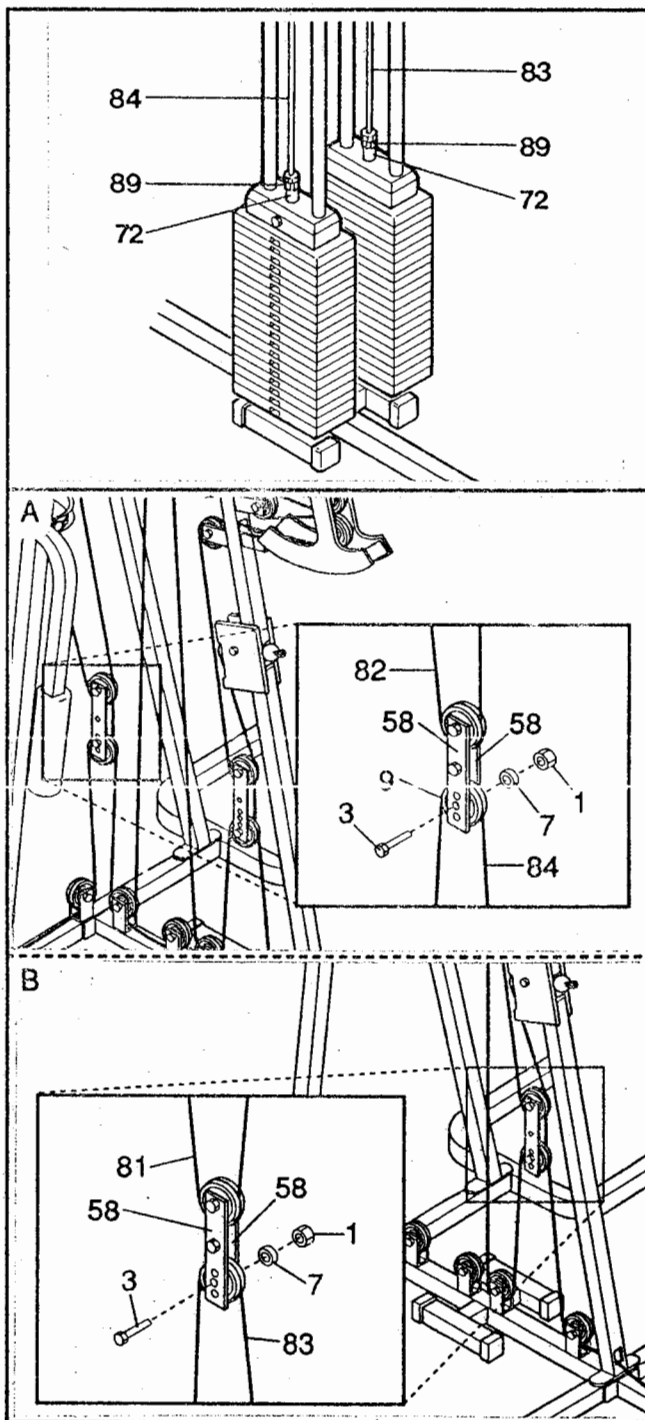
ADJUSTING THE CABLES

If there is too much slack in the cables, the cables can be adjusted. To tighten the cables attached to the left weight stack, first loosen the 1/2" Jam Nut (89) on the end of Cable #111651 (83). Thread the end of the Cable farther into the Weight Selector (72). **Do not allow the Cable to twist.** Retighten the 1/2" Jam Nut against the Weight Selector. To tighten the cables attached to the right weight stack, adjust Cable #111650 (84) in the same manner. If the cables cannot be tightened sufficiently, follow the instructions below.

ADJUSTING THE I-PLATES

Loosen the 1/2" Jam Nuts (89) on Cable #111651 (83) and Cable #111650 (84) [see the drawing above]. Turn the ends of the Cables until about half of the threads are inside the Weight Selectors (72). Retighten the Jam Nuts against the Weight Selectors.

To adjust the cables attached to the right weight stack, locate the "I" Plates (58) shown in drawing A at the right. To adjust the cables attached to the left weight stack, locate the "I" Plates (58) shown in drawing B. The "I" Plates have adjustment holes for tightening the cables. Remove the 3/8" x 2" Bolt (3), 3/8" Washer and 3/8" Nylock Nut (1) attaching the lower 3 1/2" Pulley (9) to the "I" Plates. Move the 3 1/2" Pulley to the next higher hole in the "I" Plates and reattach it. Repeat until the cables are tight.



PART LIST—Model No. IM518020

Rev. 2/93

See the Exploded Drawing accompanying this owner's manual for an illustration of each part.

Key No.	Qty.	Description	Key No.	Qty.	Description
1	51	3/8" Nylock Nut	53	1	Stabilizer
2	8	3/8" Nut	54	1	VKR Upright
3	29	3/8" x 2" Bolt	55	1	Butterfly Upright
4	24	3/8" x 3" Bolt	56	1	Base
5	9	3/8" x 1 1/2" Bolt	57	1	Leg Lever Frame
6	8	3/8" x 2 1/2" Bolt	58	4	"I" Plate
7	55	3/8" Washer	59	1	Frame Top
8	5	4 1/2" Pulley	60	1	Weight Guide Top
9	20	3 1/2" Pulley	61	1	Press Arm
10	2	3/8" x 1" Bolt	62	1	Adjuster
11	30	3/8" Lock Washer	63	1	Leg Press Plate
12	6	3/8" x 2 1/2" Carriage Bolt	64	1	Leg Press Rail
13	2	3/8" x 4" Hex Bolt	65	1	Leg Press Frame
14	24	3/4" Brass Bushing	66	1	Leg Press "H" Frame
15	3	Lock Knob	67	1	Leg Press Base
16	10	2" x 2" Inner Cap	68	1	Leg Press Stabilizer
17	2	1" x 2" Outer Cap	69	1	Leg Press Support
18	4	1 1/2" x 1 1/2" Inner Cap	70	1	Leg Press Lever
19	1	Triangle Knob	71	4	Weight Guide
20	4	2" x 2" Outer Cap w/Hole	72	2	Weight Selector
21	8	3/4" Plastic Cap	73	1	Lat Bar
22	6	Tube Cap	74	1	Rower Bar
23	6	6" Foam Pad	75	1	Ab Strap
24	2	13 1/4" Axle	76	1	Ankle Strap
25	1	10 1/2" Axle	77	2	Chain
26	3	Pad Tube	78	5	Cable Clip
27	18	5 1/2" Foam Grip	79	1	Cable Bail
28	114	Weight Insert	80	1	5/8" Washer
29	38	Weight	81	1	Cable #111652
30	2	Top Weight	82	1	Cable #111649
31	2	7/16" x 2 1/2" Bolt	83	1	Cable #111651
32	8	2" x 2" x 1" Outer Cap	84	1	Cable #111650
33	1	Bumper Cap	85	1	10 3/4" Pin
34	4	Weight Bumper	86	1	Hitch Pin
35	2	15 1/2" Foam Pad	87	1	Front Upright
36	4	7 1/2" Handle	88	1	Butterfly Arm Support
37	4	1" Spacer	89	2	1/2" Jam Nut
38	4	1/2" Spacer	90	2	9 3/8" Handle
39	2	Small Backrest	91	1	Pin Knob
40	1	Small Seat	92	2	Weight Pin
41	1	Large Seat	93	2	Bumper w/Shaft
42	1	Large Backrest	94	7	1" x 2" Inner Cap
43	2	Armrest	95	4	1/2" Brass Bushing
44	1	2" x 2" x 2" Outer Cap	96	2	3/8" Brass Bushing
45	1	Left Butterfly Arm	97	2	1/2" x 3" Bolt
46	1	Right Butterfly Arm	98	2	1/2" Nylock Nut
47	1	VKR Frame	99	2	1/2" Washer
48	2	"U" Handle	#	1	Owner's Manual
49	1	Long Seat Post	#	1	Exercise Guide
50	1	Short Seat Post	#	1	Exploded Drawing/Part ID Chart
51	5	2" x 2" Inner Cap w/ Cutout	#	2	Grease
52	1	Leg Lever			

Note: "#" indicates a non-illustrated part. Specifications are subject to change without notice.

ORDERING REPLACEMENT PARTS

To order replacement parts, simply call our Customer Service Department toll-free at 1-800-999-3756, Monday through Friday, 6 a.m. until 6 p.m. Mountain Time (excluding holidays). To help us assist you, please be prepared to give the following information:

1. The MODEL NUMBER of the product (IM518020).
2. The NAME of the product (IMAGE™ 518 weight training system).
3. The SERIAL NUMBER of the product (see the front cover of this manual).
4. The KEY NUMBER and DESCRIPTION of the part(s) from page 27 of this manual.

LIMITED WARRANTY

Image, Inc. ("IMAGE"), warrants this product to be free from defects in workmanship and material, under normal use and service conditions, for a period of ninety (90) days from the date of purchase. This warranty extends only to the original purchaser. IMAGE's obligation under this warranty is limited to replacing or repairing, at IMAGE's option, the product at one of its authorized service centers. All products for which warranty claim is made must be received by IMAGE at one of its authorized service centers with all freight and other transportation charges prepaid, accompanied by sufficient proof of purchase. All returns must be pre-authorized by IMAGE. This warranty does not extend to any product or damage to a product caused by or attributable to freight damage, abuse, misuse, improper or abnormal usage or repairs not provided by an IMAGE authorized service center or for products used for commercial or rental purposes. No other warranty beyond that specifically set forth above is authorized by IMAGE.

IMAGE IS NOT RESPONSIBLE OR LIABLE FOR INDIRECT, SPECIAL OR CONSEQUENTIAL DAMAGES ARISING OUT OF OR IN CONNECTION WITH THE USE OR PERFORMANCE OF THE PRODUCT OR OTHER DAMAGES WITH RESPECT TO ANY ECONOMIC LOSS, LOSS OF PROPERTY, LOSS OF REVENUES OR PROFITS, LOSS OF ENJOYMENT OR USE, COSTS OF REMOVAL, INSTALLATION OR OTHER CONSEQUENTIAL DAMAGES OF WHATSOEVER NATURE. SOME STATES DO NOT ALLOW THE EXCLUSION OR LIMITATION OF INCIDENTAL OR CONSEQUENTIAL DAMAGES. ACCORDINGLY, THE ABOVE LIMITATION MAY NOT APPLY TO YOU.

THE WARRANTY EXTENDED HEREUNDER IS IN LIEU OF ANY AND ALL OTHER WARRANTIES AND ANY IMPLIED WARRANTIES OF MERCHANTABILITY OR FITNESS FOR A PARTICULAR PURPOSE IS LIMITED IN ITS SCOPE AND DURATION TO THE TERMS SET FORTH HEREIN. SOME STATES DO NOT ALLOW LIMITATIONS ON HOW LONG AN IMPLIED WARRANTY LASTS. ACCORDINGLY, THE ABOVE LIMITATION MAY NOT APPLY TO YOU.

This warranty gives you specific legal rights. You may also have other rights which vary from state to state.

IMAGE, INC., 1500 S. 1000 W., LOGAN, UT 84321-9813