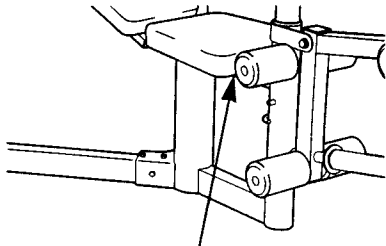


# IMAGE<sup>®</sup> 3.0

**Model No. IMBE30050**

**Serial No.** \_\_\_\_\_

Write the serial number in the space above for reference.



Serial Number Decal

## QUESTIONS?

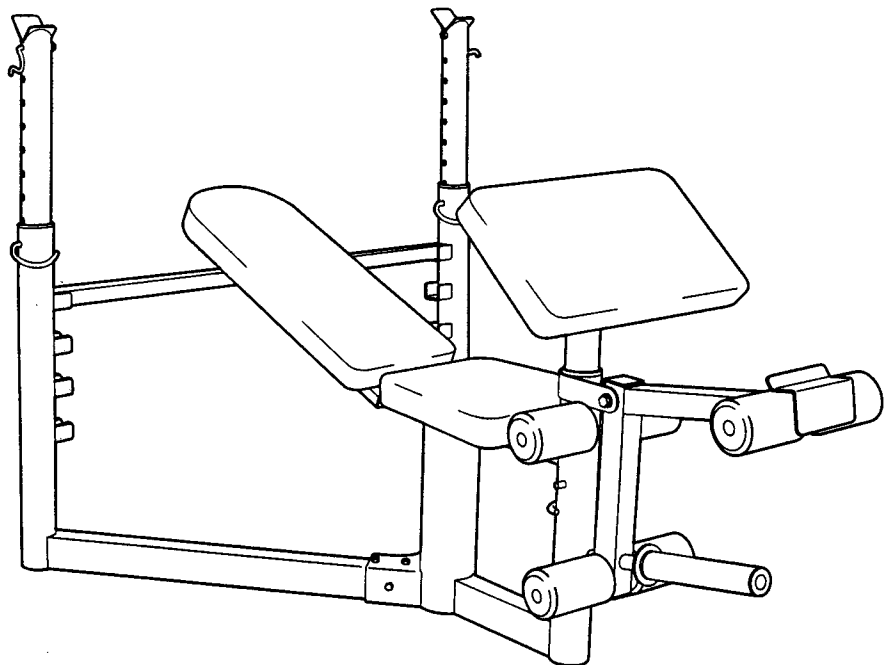
As a manufacturer, we are committed to providing complete customer satisfaction. If you have questions, or find that there are missing or damaged parts, we will guarantee you complete satisfaction through direct assistance from our factory.

**TO AVOID UNNECESSARY DELAYS, PLEASE CALL DIRECT TO OUR TOLL-FREE CUSTOMER HOT LINE.** The trained technicians on our customer hot line will provide immediate assistance, free of charge to you.

**CUSTOMER HOT LINE:**

**1-800-999-3756**

Mon.-Fri., 6 a.m.-6 p.m. MST



## CAUTION!

Read all precautions and instructions in this manual before using this equipment. Save this manual for future reference.

# USER'S MANUAL

# IMAGE<sup>®</sup> 3.0

## TABLE OF CONTENTS

LIMITED WARRANTY .....	2
IMPORTANT PRECAUTIONS .....	3
BEFORE YOU BEGIN .....	4
ASSEMBLY .....	5
HOW TO ADJUST THE IMAGE 3.0 .....	8
PART LIST .....	10
EXPLODED DRAWING .....	11
ORDERING REPLACEMENT PARTS .....	Back Cover

Note: a PART IDENTIFICATION CHART is attached to the center of this manual. Remove the PART IDENTIFICATION CHART before beginning assembly.

### LIMITED WARRANTY

ICON Health & Fitness, Inc. (ICON), warrants this product to be free from defects in workmanship and material, under normal use and service conditions, for a period of ninety (90) days from the date of purchase. This warranty extends only to the original purchaser. ICON's obligation under this warranty is limited to replacing or repairing, at ICON's option, the product at one of its authorized service centers. All products for which warranty claim is made must be received by ICON at one of its authorized service centers with all freight and other transportation charges prepaid, accompanied by sufficient proof of purchase. All returns must be pre-authorized by ICON. This warranty does not extend to any product or damage to a product caused by or attributable to freight damage, abuse, misuse, improper or abnormal usage or repairs not provided by an ICON authorized service center, for products used for commercial or rental purposes, or for products used as store display models. No other warranty beyond that specifically set forth above is authorized by ICON.

ICON is not responsible or liable for indirect, special or consequential damages arising out of or in connection with the use or performance of the product or damages with respect to any economic loss, loss of property, loss of revenues or profits, loss of enjoyment or use, costs of removal, installation or other consequential damages of whatsoever nature. Some states do not allow the exclusion or limitation of incidental or consequential damages. Accordingly, the above limitation may not apply to you.

The warranty extended hereunder is in lieu of any and all other warranties and any implied warranties of merchantability or fitness for a particular purpose is limited in its scope and duration to the terms set forth herein. Some states do not allow limitations on how long an implied warranty lasts. Accordingly, the above limitation may not apply to you.

This warranty gives you specific legal rights. You may also have other rights which vary from state to state.

**ICON HEALTH & FITNESS, INC., 1500 S. 1000 W., LOGAN, UT 84321-9813**

# IMPORTANT PRECAUTIONS

**WARNING:** To reduce the risk of serious injury, read the following important precautions before using the weight bench.

1. Read all instructions in this manual before using the weight bench.
2. Use the weight bench only on a level surface. Cover the floor beneath the weight bench for protection.
3. Inspect and tighten all parts regularly. Replace any worn parts immediately.
4. Keep small children and pets away from the weight bench at all times.
5. Do not place more than 365 pounds on the weight rests; do not place more than 150 pounds on the leg lever.
6. Always wear athletic shoes for foot protection when exercising.
7. Keep hands and feet away from moving parts.
8. The weight bench is designed to be used by only one person at a time.
9. If you feel pain or dizziness at any time while exercising, stop immediately and begin cooling down.
10. It is the responsibility of the owner to ensure that all users of the weight bench are adequately informed of all precautions.

**WARNING:** Before beginning this or any exercise program, consult your physician. This is especially important for persons over the age of 35 or persons with pre-existing health problems. Read all instructions before using. ICON assumes no responsibility for personal injury or property damage sustained by or through the use of this product.

# BEFORE YOU BEGIN

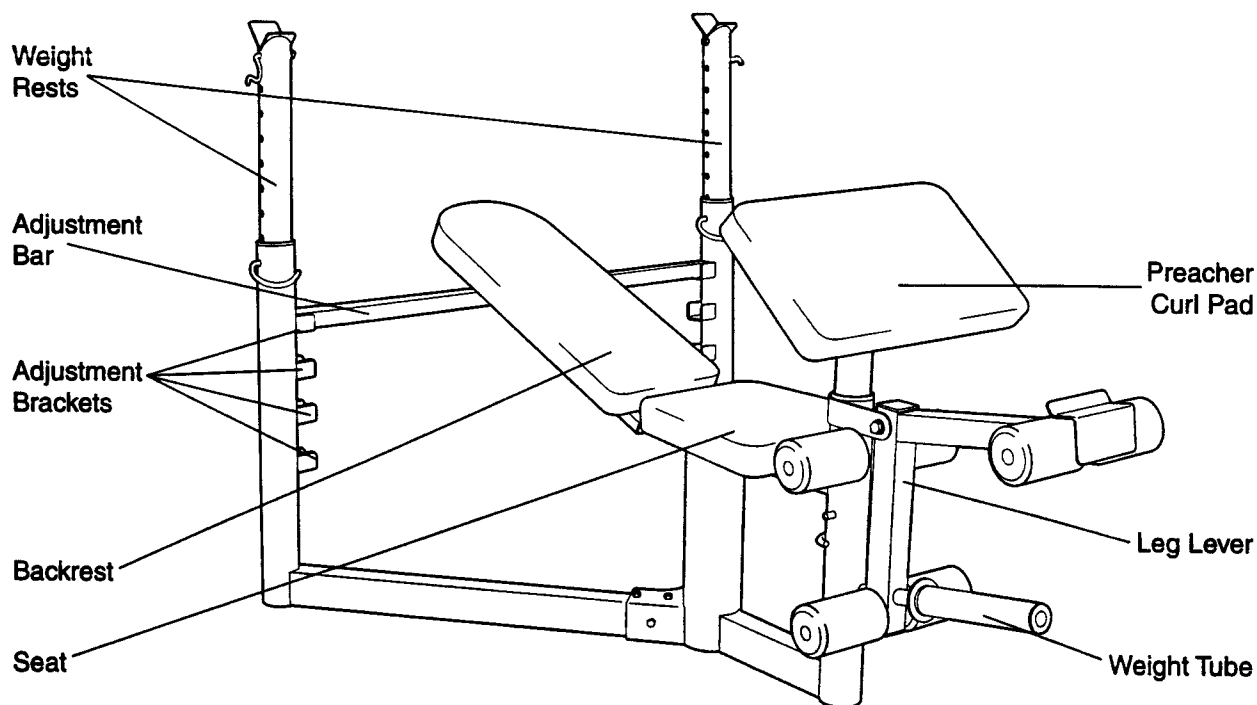
Thank you for selecting the versatile IMAGE® 3.0 Weight Bench. The IMAGE® 3.0 offers a selection of weight stations designed to develop every major muscle group of the body. Whether your goal is to tone your body, build dramatic muscle size and strength, or improve your cardiovascular system, the IMAGE® 3.0 will help you to achieve the specific results you want.

**For your benefit, read this manual carefully before using the IMAGE® 3.0 Weight Bench.** If you have additional questions, please call our Customer Service

Department toll-free at 1-800-999-3765, Monday through Friday, 6 a.m. until 6 p.m. Mountain Time (excluding holidays). To help us assist you, please note the product model number and serial number before calling. The model number is IMBE30050. The serial number can be found on a decal attached to the IMAGE® 3.0 (see the front cover of this manual).

Before reading further, please review the drawing below and familiarize yourself with the parts that are labeled.

**ASSEMBLED  
DIMENSIONS:**  
Height: 52 in.  
Width: 48 in.  
Length: 73 in.




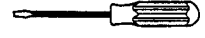
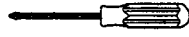
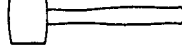
# ASSEMBLY

**Before beginning assembly, carefully read the following information and instructions:**

- Place all parts of the IMAGE® 3.0 in a cleared area and remove the packing materials; do not dispose of the packing materials until assembly is completed.
- For help identifying the small parts used in assembly, use the **PART IDENTIFICATION CHART** located in the center of this manual. Note: Some small parts may have been pre-attached for shipping. If a part is not in the parts bag, check to see if it has been pre-attached.
- As you assemble the IMAGE® 3.0, be sure that all parts are oriented as shown in the drawings.

- Tighten all parts as you assemble them, unless instructed to do otherwise.

**THE FOLLOWING TOOLS (NOT INCLUDED) ARE REQUIRED FOR ASSEMBLY:**

- **Two (2) adjustable wrenches** 
- **One (1) standard screwdriver** 
- **One (1) phillips screwdriver** 
- **One (1) rubber mallet** 
- **Lubricant, such as grease or petroleum jelly, and soapy water will also be needed.**

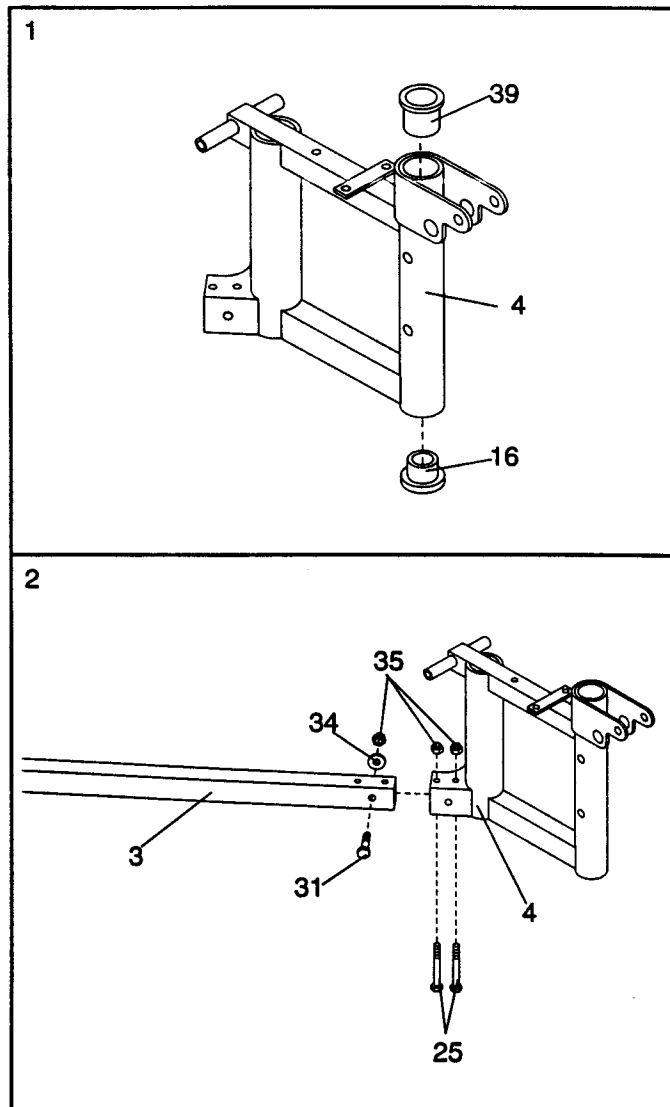
Assembly will be more convenient if you have the following tools: A socket set, a set of open-end or closed-end wrenches, or a set of ratchet wrenches.

1. **Before beginning assembly, be sure that you have read and understand the information in the box above.**

These parts may have been pre-assembled for shipping purposes. Be sure that the Long 3" Plastic Bushing (39) is in the top of the Frame (4) and that the 3" Endcap (16) is in the bottom of the Frame (4).

2. Attach a Stabilizer (3) to the Frame (4) with two 3/8" x 4" Bolts (25) and two 3/8" Nylon Locknuts (35). **Completely tighten the Nylon Locknuts.** Insert a 3/8" x 2 3/4" Bolt (31) through the indicated hole in the Frame. Tighten a 3/8" Nylon Locknut (35), with a 3/8" Washer (34), onto the Bolt.

Attach the other Stabilizer (3) to the Frame (4) in the same manner.



- Attach the Left Upright (2) to the indicated Stabilizer (3) with two 3/8" x 4" Bolts (25). **Note the position of the adjustment brackets to identify the Left Upright.**

Attach the Right Upright (26) to the other Stabilizer (3) in the same manner.

- Insert a Barbell Lock Pin (38) through the top hole in a Weight Rest (1). Tighten a 3/8" Nylon Locknut (35) onto the Barbell Lock pin.

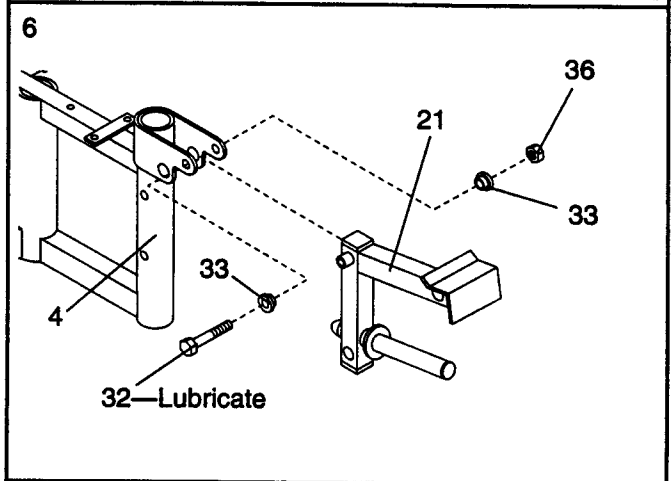
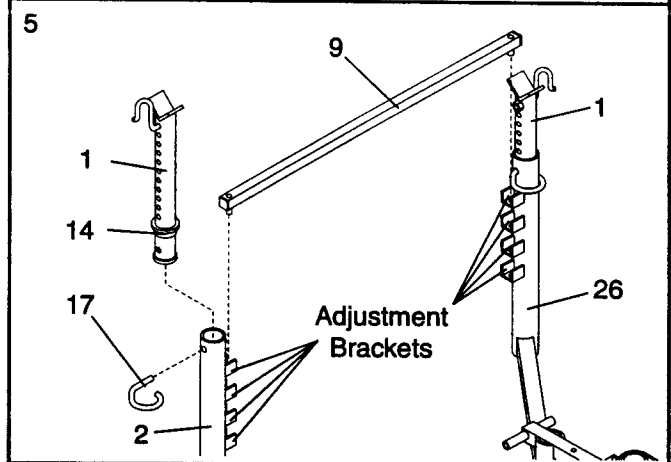
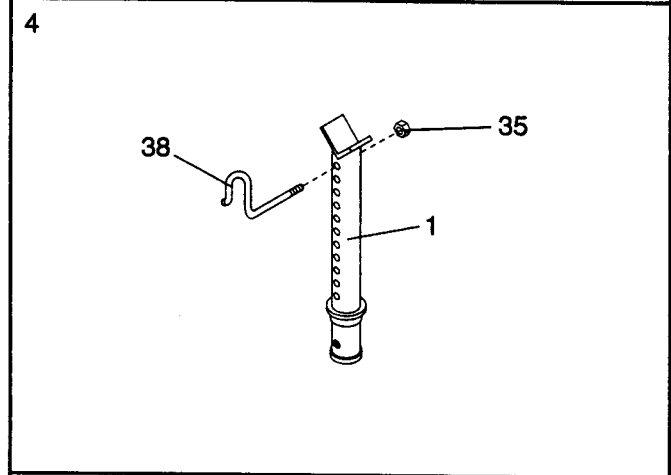
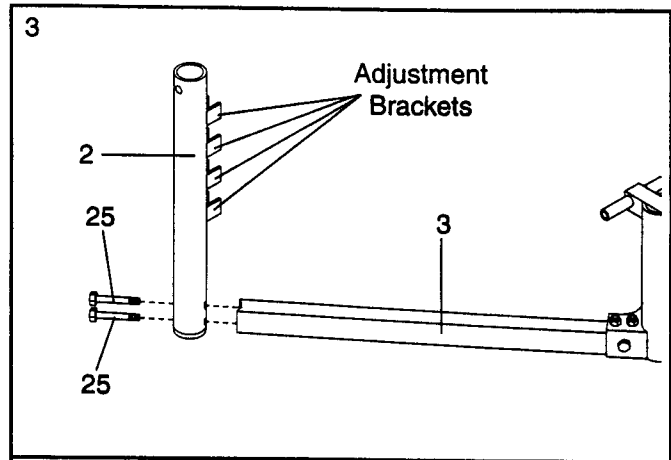
Attach the other Barbell Lock Pin (38) to the other Weight Rest (1) in the same manner.

- Set the Adjustment Tube (9) into one set of adjustment brackets on the Left and Right Uprights (2, 26).

Insert a Weight Rest (1) into the Left Upright (2). **Be sure that the Short 3" Plastic Bushing (14) is firmly inserted into the top of the Upright.** Insert an Adjustment Pin (17) through the holes in the Left Upright (2) and the Weight Rest (1).

Attach the other Weight Rest (1) to the Right Upright (26) in the same manner. Be sure that both Weight Rests are set at the same level.

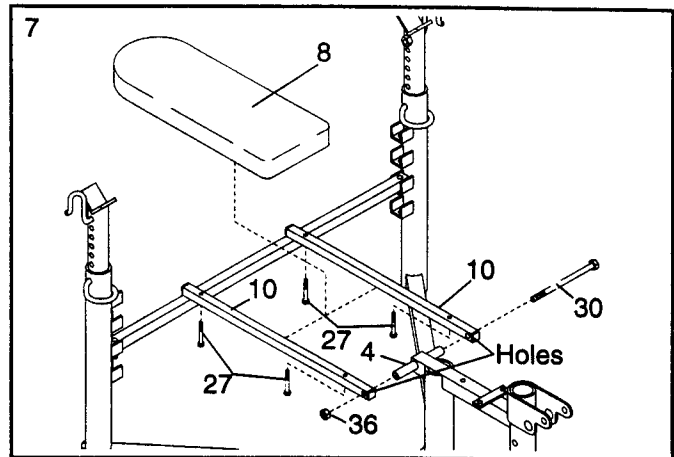
- Insert two 1/2" Metal Bushings (33) into the indicated locations in Frame (4). **The Bushings must be oriented as shown.** Lubricate the 1/2" x 4" Bolt (32). Attach the Leg Lever (21) to the Frame with the 1/2" x 4" Bolt and the 1/2" Nylon Locknut (36).



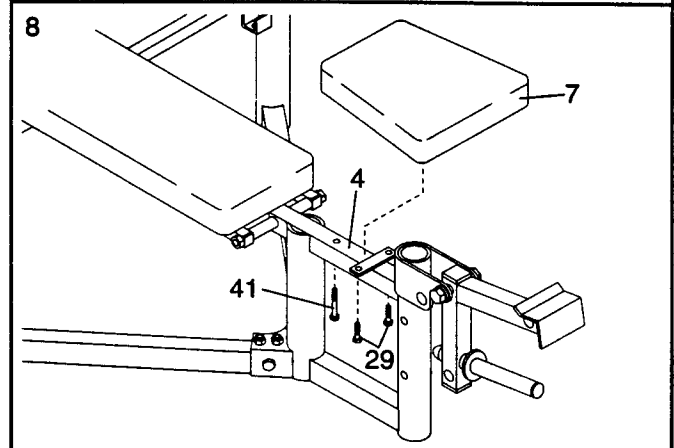
7. Attach the Backrest Rails (10) to the Backrest (8) with four 1/4" x 1 1/2" Bolts (27). Do not tighten the Bolts yet. Make sure that the holes are in the indicated end of the Backrest Rails.

Attach the Backrest Rails (10) to the tube on the Frame (4) with a 3/8" x 7 1/2" Bolt (30) and a 1/2" Nylon Locknut (36). Do not overtighten the Nylon Locknut.

Tighten the four 1/4" x 1 1/2" Bolts (27).



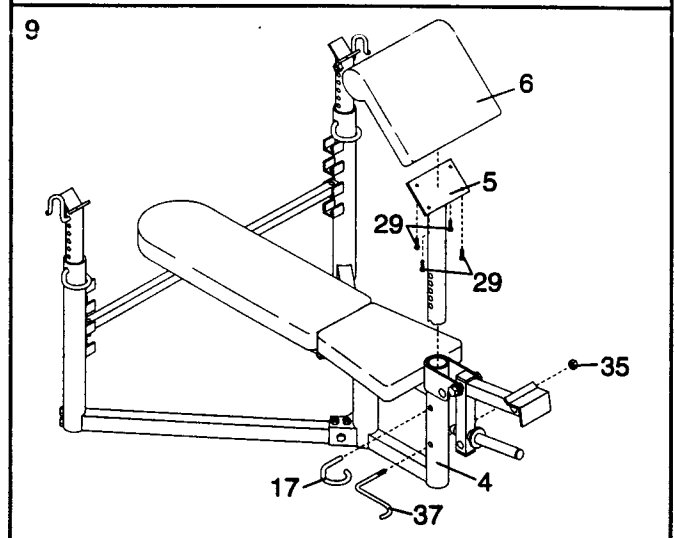
8. Attach the Seat (7) to the Frame (4) with two 1/4" x 3/4" Bolts (29) and one 1/4" x 2 1/2" Bolt (41).



9. Attach the Leg Lever Lock Pin (37) to the indicated hole in the Frame (4) with a 3/8" Nylon Locknut (35).

Attach the Preacher Curl Pad (6) to the Curl Post (5) with four 1/4" x 3/4" Bolts (29).

Insert the Curl Post (5) into the Frame (4). Align one set of holes in the Curl Post with the holes in the Frame (4). Insert an Adjustment Pin (17) through the Curl Post and Frame.

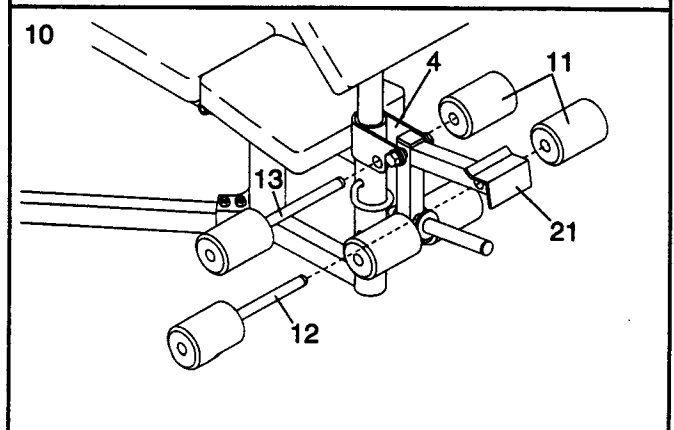


10. These parts may have been pre-assembled for shipping purposes. Be sure that all parts mentioned in this step are securely in place.

Insert the 15" Pad Tube (13) into the Frame (4). Slide a Foam Pad (11) onto the end of the Pad Tube.

Insert a 14" Pad Tube (12) into the Leg Lever (21). Slide a Foam Pad (11) onto the end of the 14" Pad Tube.

Attach the other 14" Pad Tube (12) to the Leg Lever (21) in the same manner.



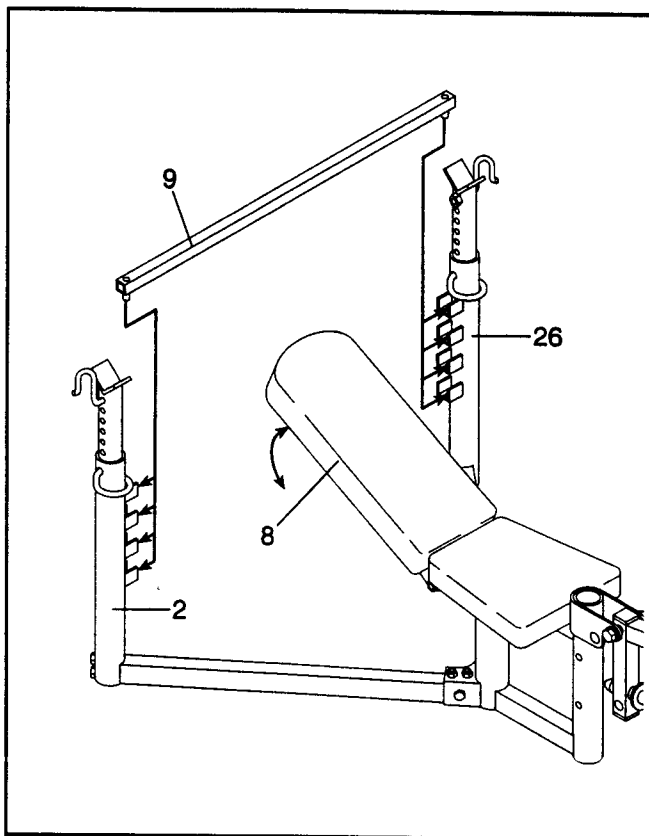
# HOW TO ADJUST THE IMAGE® 3.0

The instructions below describe how each part of the IMAGE® 3.0 can be adjusted. Refer to the exercise information accompanying your weight set (not included) to see the correct form for each exercise.

## ADJUSTING THE BACKREST

The Backrest (8) has four different positions: the level position, one decline position, and two incline positions.

To change the position of the Backrest (8), move the Adjustment Bar (9) to another set of the welded brackets on the Left and Right Uprights (2, 26).

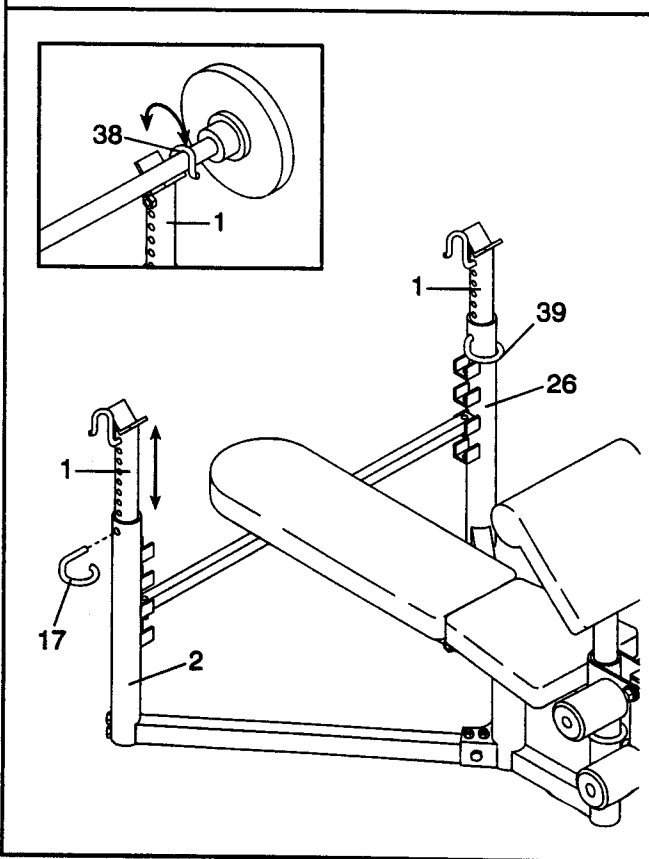


## ADJUSTING THE WEIGHT RESTS

To change the height of the Weight Rests (1) first remove your barbell from the Weight Rests. Remove the Adjustment Pin (17) from the Weight Rest in the Left Upright (2). Position the Weight Rest at the desired height. Align the holes in the Weight Rest and the Upright. Re-insert the Adjustment Pin.

Position the Weight Rest (1) in the Right Upright (26) at the same height.

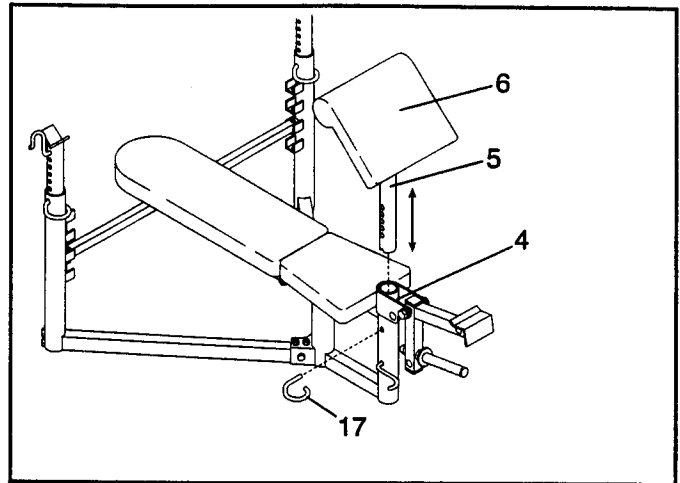
See the inset drawing. To change weights while your barbell (not included) is on the Weight Rests (1), secure your barbell with the Barbell Lock Pins (38). This will reduce the possibility of the barbell tipping while you change weights.



## ATTACHING THE PREACHER CURL PAD

For some exercises, the Preacher Curl Pad (6) must be attached to the weight bench.

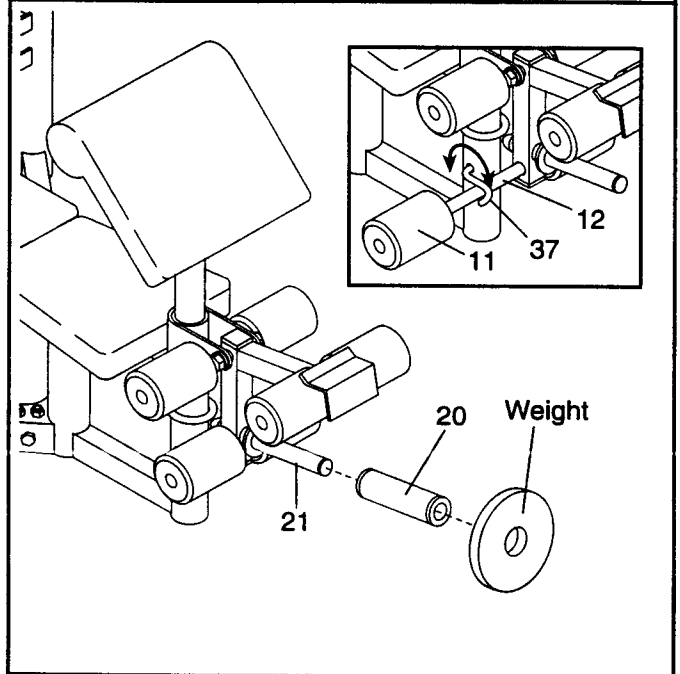
Insert the Curl Post (5) into the indicated hole in the Frame (4). Position the Curl Post at the desired height. Align the holes in the Frame and the Curl Post. Insert an Adjustment Pin (17).



## USING THE LEG LEVER

To use the Leg Lever (21), slide the desired amount of weight (not included) onto the weight post. If you are using olympic weights, you will need to use a Weight Adapter (20).

For some exercises you will need to lock the Leg Lever (21) in place. See the inset drawing. To lock the Leg Lever, slide the indicated Foam Pad (11) back from the Leg Lever about one inch. Turn the Leg Lever Lock Pin (37) so that it clips onto the 14" Pad Tube (12). Slide the Foam Pad back into place.



# PART LIST—Model No. Model No. IMBE30050

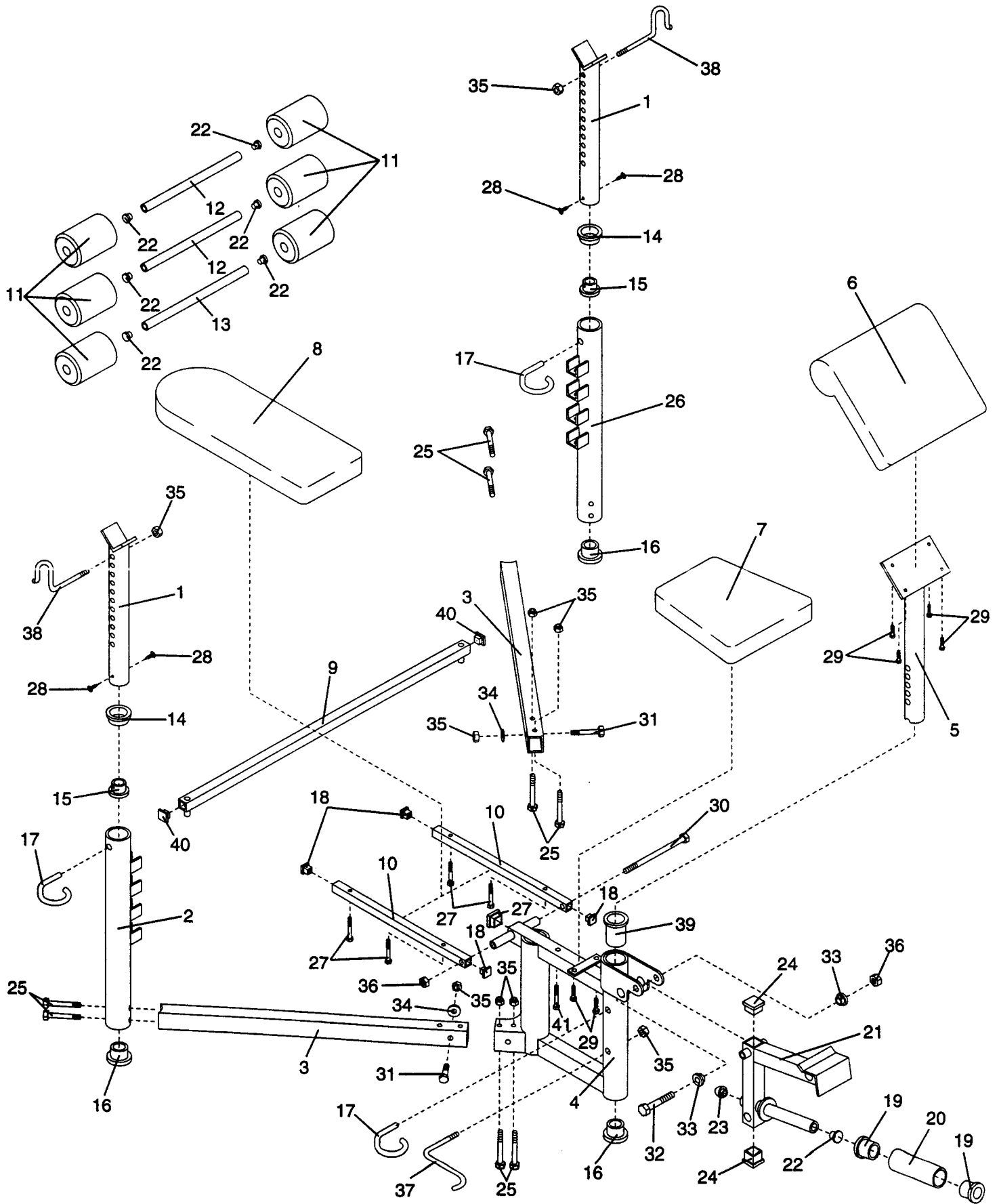
R0895A

Key No.	Qty.	Description	Key No.	Qty.	Description
1	2	Weight Rest	22	7	1" Endcap
2	1	Left Upright	23	1	Leg Lever Bumper
3	2	Stabilizer	24	3	2" Square Endcap
4	1	Frame	25	8	3/8" x 4" Bolt
5	1	Curl Post	26	1	Right Upright
6	1	Preacher Curl Pad	27	4	1/4" x 1 1/2" Bolt
7	1	Seat	28	4	#8 x 1/2" Screw
8	1	Backrest	29	6	1/4" x 3/4" Bolt
9	1	Adjustment Tube	30	1	3/8" x 7 1/2" Bolt
10	2	Backrest Rail	31	2	3/8" x 2 3/4" Bolt
11	6	Foam Pad	32	1	1/2" x 4" Bolt
12	2	14" Pad Tube	33	2	1/2" Metal Bushing
13	1	15" Pad Tube	34	2	3/8" Washer
14	2	Short 3" Plastic Bushing	35	10	3/8" Nylon Locknut
15	2	2 5/8" Endcap	36	1	1/2" Nylon Locknut
16	3	3" Endcap	37	1	Leg Lever Lock Pin
17	3	Adjustment Pin	38	2	Barbell Lock Pin
18	4	1" Square Endcap	39	1	Long 3" Plastic Bushing
19	2	Weight Adapter Bushing	40	2	1 1/2" Square Endcap
20	1	Weight Adapter	41	1	1/4" x 2 1/2 Bolt
21	1	Leg Lever	#	1	User's Manual

Note: "#" indicates a non-illustrated part. Specifications are subject to change without notice.

# EXPLODED DRAWING—Model No. IMBE30050

R0895A



---

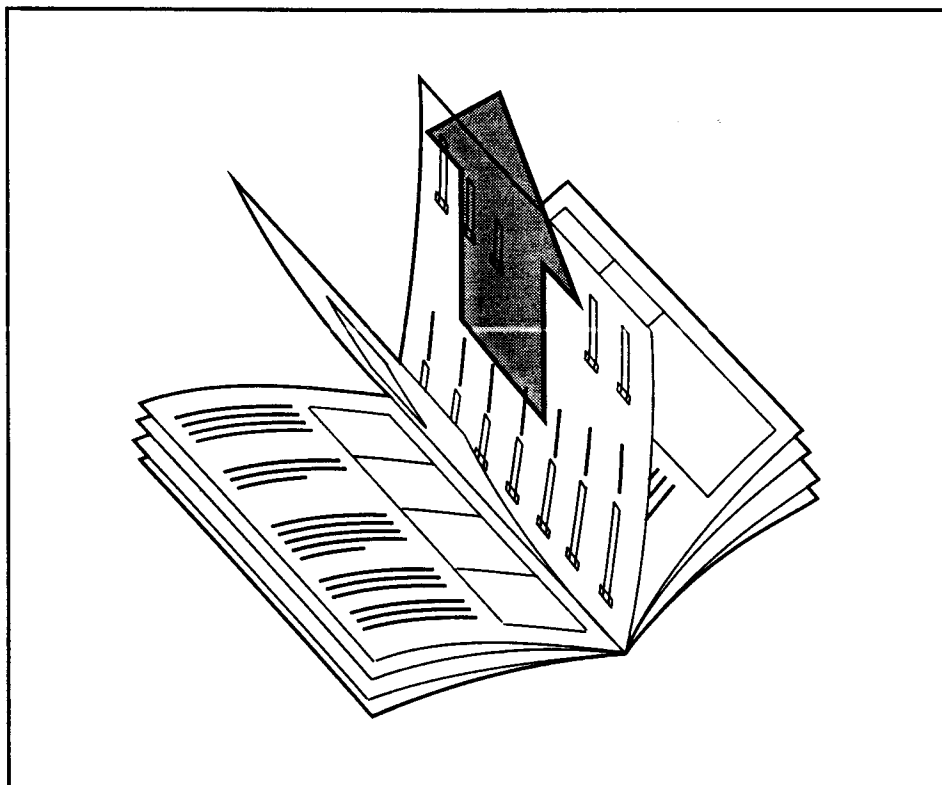
# ORDERING REPLACEMENT PARTS

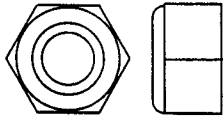
To order replacement parts, simply call our Customer Service Department toll-free at 1-800-999-3765, Monday through Friday, 6 a.m. until 6 p.m. Mountain Time (excluding holidays). To help us assist you, please be prepared to give the following information:

1. The MODEL NUMBER of the product (IMBE30050).
2. The NAME of the product (IMAGE® 3.0 Weight Bench).
3. The SERIAL NUMBER of the product (see the front cover of this manual).
4. The KEY NUMBER and DESCRIPTION of the part(s) (see the PART LIST on page 10 of this owner's manual.)

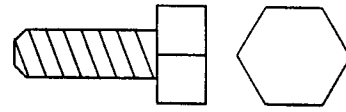
# REMOVE THIS PART IDENTIFICATION CHART FROM THE MANUAL

This chart is provided to help you identify the small parts used in assembly. **Important: Some parts may have been pre-assembled for shipping purposes. If you cannot find a part in the parts bags, check to see if it has been pre-assembled.** The number in parenthesis below each part refers to the key number of the part. The second number refers to the quantity needed for assembly.

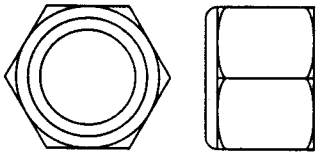




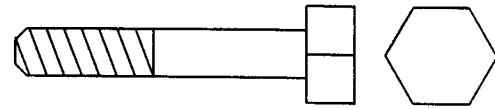
3/8" Nylon Locknut (35)-10



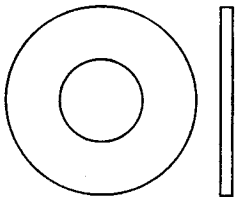
1/4" x 3/4" Bolt (29)-6



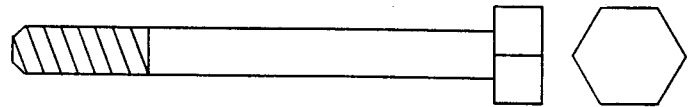
1/2" Nylon Locknut (36)-1



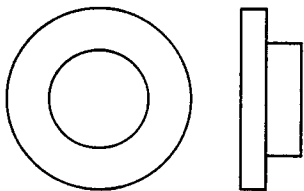
1/4" x 1 1/2" Bolt (27)-4



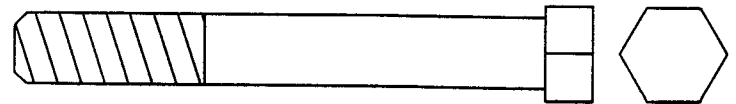
3/8" Washer (34)-2



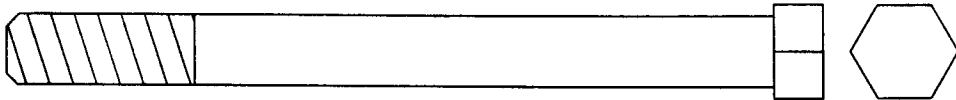
1/4" x 2 1/2" Bolt (41)-1



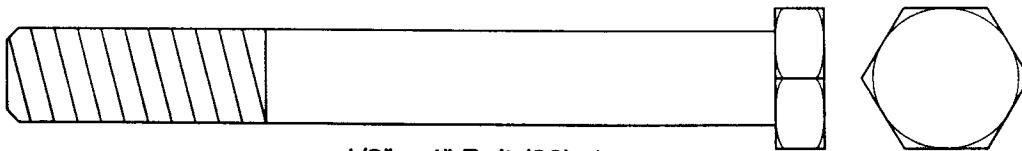
1/2" Metal Bushing (33)-2



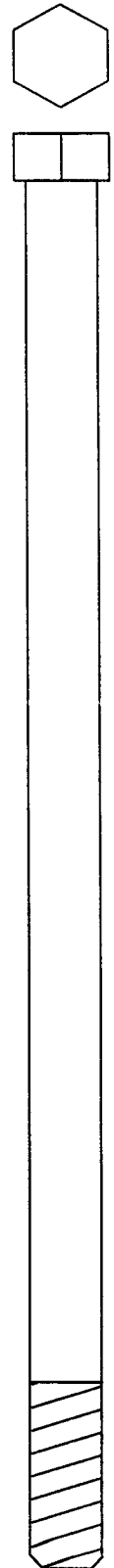
3/8" x 2 3/4" Bolt (31)-2



3/8" x 4" Bolt (25)-8



1/2" x 4" Bolt (32)-1



3/8" x 7 1/2" Bolt (30)-1