

IMAGE[®]

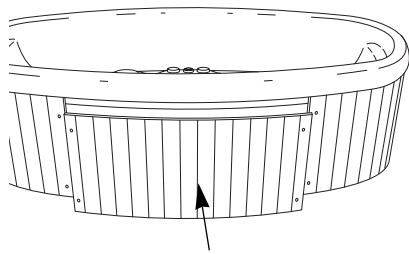
R E N E W

207

Model No. IMSW20700
IMSG20700
IMSB20700

Serial No. _____

The serial number can be found in the location shown below. Write the serial number in the space above.



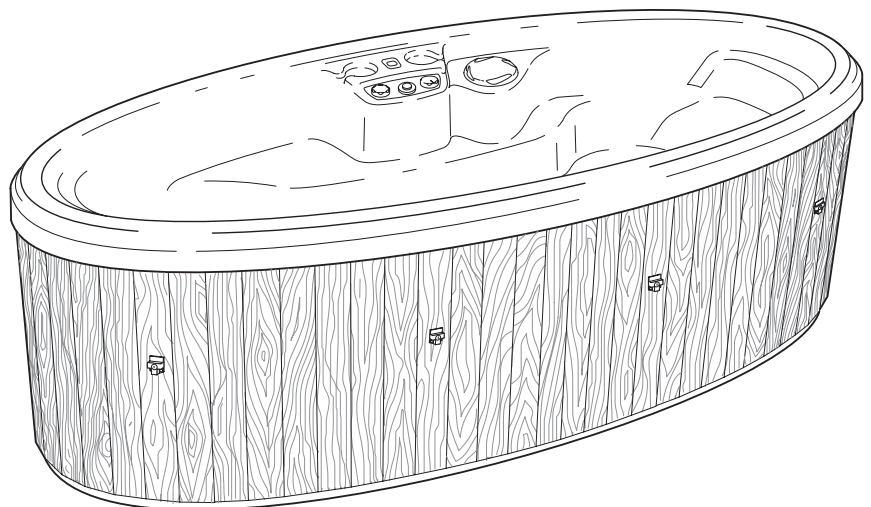
Serial Number Decal
(on the frame behind the access cover)

USER'S MANUAL

QUESTIONS?

PLEASE CALL DIRECT TO OUR TOLL-FREE CUSTOMER HOT LINE. The trained technicians on our customer hot line will provide immediate assistance, free of charge to you.

CUSTOMER HOT LINE:
1-877-897-7493
Mon.–Fri., 6 a.m.–6 p.m. MST



CAUTION

Read all precautions and instructions in this manual before using this equipment. Save this manual for future reference.



Visit our website at

www.workoutwarehouse.com

new products, prizes,
fitness tips, and much more!

TABLE OF CONTENTS

IMPORTANT SAFETY INSTRUCTIONS3
BEFORE YOU BEGIN6
CHOOSING A LOCATION FOR THE RENEW 2077
SETUP AND ASSEMBLY8
POSTING THE WARNING SIGN10
USING THE RENEW 20710
MAINTENANCE13
TROUBLE-SHOOTING16
PART LIST18
EXPLODED DRAWING19
ORDERING REPLACEMENT PARTSBack Cover
LIMITED HYDROTHERAPY SPA WARRANTYBack Cover

IMPORTANT SAFETY INSTRUCTIONS

⚠ WARNING: TO REDUCE THE RISK OF DROWNING, ELECTRIC SHOCK, OR SERIOUS INJURY, READ THE FOLLOWING IMPORTANT PRECAUTIONS BEFORE USING THE RENEW 207.

READ AND FOLLOW ALL INSTRUCTIONS

1. It is the responsibility of the owner to ensure that all users of the RENEW 207 are adequately informed of all precautions.
2. Use the RENEW 207 only as described in this manual.
3. The RENEW 207 is intended for home use only. Do not use the spa in a commercial, rental, or institutional setting.
4. Use the RENEW 207 only on a level surface. Do not use the spa on carpet or other materials that could be damaged by moisture. Do not use the spa on rough or sharp surfaces such as gravel or wood chips.
5. The RENEW 207 will weigh approximately 1,500 pounds when it is filled with water. Be sure that the location you select for the spa will support this weight, plus the weight of the occupants.
6. Inspect and tighten all parts regularly; replace any worn or missing parts immediately.
7. **DANGER—Risk of injury:** Do not remove or alter the covers on the suction fittings. Never operate the RENEW 207 if the suction guard is missing or broken. If you need to replace a suction fitting, use only manufacturer-recommended parts. Keep hair and body away from the suction guard. Do not allow long hair to float freely in the water; long hair should be restrained with a bathing cap.
8. **IMPORTANT:** Do not allow the RENEW 207 to be exposed to direct sunlight when it is empty. The surface of the spa shell can reach temperatures as high as 150° F in a matter of minutes if exposed to the sun while it is empty. These high temperatures can cause significant damage, such as blistering of the shell surface and warping of the spa shell. Any damage caused by sun exposure is not covered under warranty.
9. Do not bring any object into the RENEW 207 that could damage the spa shell.
10. Never insert any object into any opening.
11. Do not use breakable containers near or in the RENEW 207.
12. Do not sit on the spa cover or place objects on it; it is not designed to support weight.
13. Remove any water or debris that may collect on the spa cover.
14. Keep children and pets away from the RENEW 207 when it is not in use.
15. Keep all chemicals away from children and pets.
16. The pH and chemical balance of the water must be maintained as explained in this manual (see pages 11 and 14). Failure to do so may cause injury to users or damage to the spa, and will void the warranty.
17. Individuals with infections and open sores or wounds should not use the RENEW 207. Bacteria thrive in warm and hot water. Always keep the spa disinfected and maintain the proper chemical balance.
18. Always shower before and after using the RENEW 207. This will remove any deodorant, perspiration, or body oils that could contaminate the water. Showering after will remove any residual chemicals and any bacteria that may have been in the spa.
19. **DANGER—**When connecting the power cord (see **PLUGGING IN THE RENEW 207** on page 10), plug the power cord directly into a grounded circuit capable of carrying 15 or more amps. No other appliance should be on the same circuit. Replace the power cord immediately if damaged.

20. Do not use an extension cord with the RENEW 207; this could damage the motor and will void the warranty.
21. **DANGER**—If you will be using the RENEW 207 outside, do not bury the power cord. Keep the power cord away from lawn mowers, hedge trimmers, and other similar equipment.
22. **WARNING**—The power cord is equipped with a Ground Fault Circuit Interrupter (GFCI), located at the end of the power cord. The GFCI must be tested before each use. To test the GFCI, press the “test” button while the RENEW 207 is running. The spa should shut off. Press the “reset” button. The spa should resume normal operation. If the spa continues to run after the “test” button is pressed, the GFCI is damaged. Do not use the spa until the GFCI has been repaired or replaced by a qualified electrician.
23. Keep all electrical appliances such as radios, telephones, televisions, and lights at least five feet (1.52 meters) away from the water.
24. A wire connector is provided on the electronics of the RENEW 207 to connect a minimum No. 8 AWG (804 mm²) solid copper conductor between the spa and any metal equipment, electrical enclosure made of metal, metal water pipes, or conduit within five feet (1.52m) of the spa.
25. **DANGER**—Risk of electric shock: Do not set up the RENEW 207 within five feet of any metal objects or surfaces. As an alternative, you may use the spa within five feet of metal objects if each metal object is permanently connected to the wire connector on the pump motor of the spa by a minimum No. 8 AWG (804 mm²) solid copper conductor (see instruction 24).
26. Do not operate the pump motor when the RENEW 207 is empty. The pump motor may be damaged if it is operated without water circulating.
27. **DANGER**—Risk of drowning: Exercise extreme caution to prevent unauthorized and unsupervised use of the RENEW 207 by children. Children must always be supervised.
28. **DANGER**—To reduce the risk of drowning:
- Never use the RENEW 207 alone;
 - Children should not use the spa unless they are supervised by an adult;
 - Keep pets away from the spa at all times;
 - Always replace and lock the spa cover when the spa is not in use.
29. **WARNING**—To reduce the risk of injury: The water temperature should never exceed 104° F (40°C). Temperatures between 100° F (38°C) and 104° F (40°C) are considered to be safe for healthy adults. However, if you plan to remain in the RENEW 207 for more than 10 to 15 minutes, a lower temperature is recommended. Lower temperatures are also recommended for children. Children should not be allowed to swim under the surface in the spa.
30. **WARNING**—To reduce the risk of injury: Always use an accurate thermometer to determine the water temperature before using the RENEW 207.
31. **WARNING**—To reduce the risk of injury: Pregnant women should consult with their physician before using the RENEW 207. Pregnant women should not use the spa if the water temperature is above 100° F (38° C); the unborn child could be seriously harmed. This is especially important during the first 90 days of the pregnancy.
32. **DANGER**—To reduce the risk of drowning: Prolonged immersion in the RENEW 207 may cause hyperthermia, a dangerous condition which occurs when the internal body temperature rises several degrees above the normal body temperature of 98.6° F. The symptoms of hyperthermia are nausea, dizziness, drowsiness, and fainting. Effects include: a lack of awareness, inability to perceive heat or danger, and a greater risk of drowning due to a loss of consciousness. Special note: Individuals suffering from hyperthermia may be unable to realize that they must exit the spa, and they also may be physically unable to do so.
33. **WARNING**—To reduce the risk of drowning: Do not use the RENEW 207 if you are under the influence of alcohol or drugs. Heat from the water, in conjunction with alcohol or drugs can cause unconsciousness.

34. **WARNING**—To reduce the risk of injury or drowning: Consult your physician about possible side-effects of any medications you may be taking before using the RENEW 207. Heat from the water, in conjunction with some medications, may cause drowsiness and increase the risk of drowning. Others can affect blood pressure, heart rate, and circulation.

35. Do not use the RENEW 207 immediately after strenuous exercise.

36. If you feel pain or dizziness at any time while using the RENEW 207, discontinue use and contact a physician.

37. **WARNING**—To reduce the risk of injury: It is especially important for persons over the age

of 35 or persons with pre-existing health problems, such as obesity, heart disease, high or low blood pressure, circulatory problems, or diabetes to consult their physician before using the RENEW 207.

38. **WARNING**—The spa jets produce a stream of water with relatively high pressure. Prolonged exposure of a localized area of the body may cause bruises to the skin.

39. The included warning sign must be posted where all users of the IMAGE 207 can see and read it (see POSTING THE WARNING SIGN on page 10).

40. **WARNING DECAL PLACEMENT:** Locate the decals shown below and familiarize yourself with the warnings on the decals.

⚠ WARNING

AVOID DROWNING RISK

- STAY OFF COVER—WILL NOT SUPPORT WEIGHT.
- KEEP CHILDREN AWAY. CHILDREN OR OBJECTS CANNOT BE SEEN UNDER COVER.
- REMOVE STANDING WATER—CHILD CAN DROWN ON TOP OF COVER.
- REMOVE COVER(S) COMPLETELY BEFORE ENTRY OF BATHERS—ENTRAPMENT POSSIBLE.
- NON-SECURED OR IMPROPERLY SECURED COVERS ARE A HAZARD.
- FAILURE TO FOLLOW ALL INSTRUCTIONS MAY RESULT IN INJURY OR DROWNING.
- THIS IS NOT A SAFETY COVER.

WARNING!

Exposure of the spa surface to direct sunlight or ultra-violet rays may cause damage to the spa's surface and will void the surface warranty of this spa.

⚠ WARNING

<p>PREVENT DROWNING</p> <ol style="list-style-type: none"> 1. SUPERVISE CHILDREN AT ALL TIMES. 2. ATTACH SPA COVER AFTER EACH USE. 3. SPA HEAT CAN CAUSE HYPERTHERMIA AND UNCONSCIOUSNESS. 4. SPA HEAT IN CONJUNCTION WITH ALCOHOL, DRUGS, OR MEDICATION CAN CAUSE UNCONSCIOUSNESS. 	<p>PREVENT ELECTROCUTION</p> <ol style="list-style-type: none"> 1. NEVER PLACE ANY ELECTRIC APPLIANCE WITHIN 5 FEET OF SPA.
--	---

NOTE: THIS MARKING IS TO BE REMOVED ONLY BY THE OWNER.

⚠ WARNING: Read all instructions before using the RENEW 207. ICON assumes no responsibility for personal injury or property damage sustained by or through the use of this product.

SAVE THESE INSTRUCTIONS

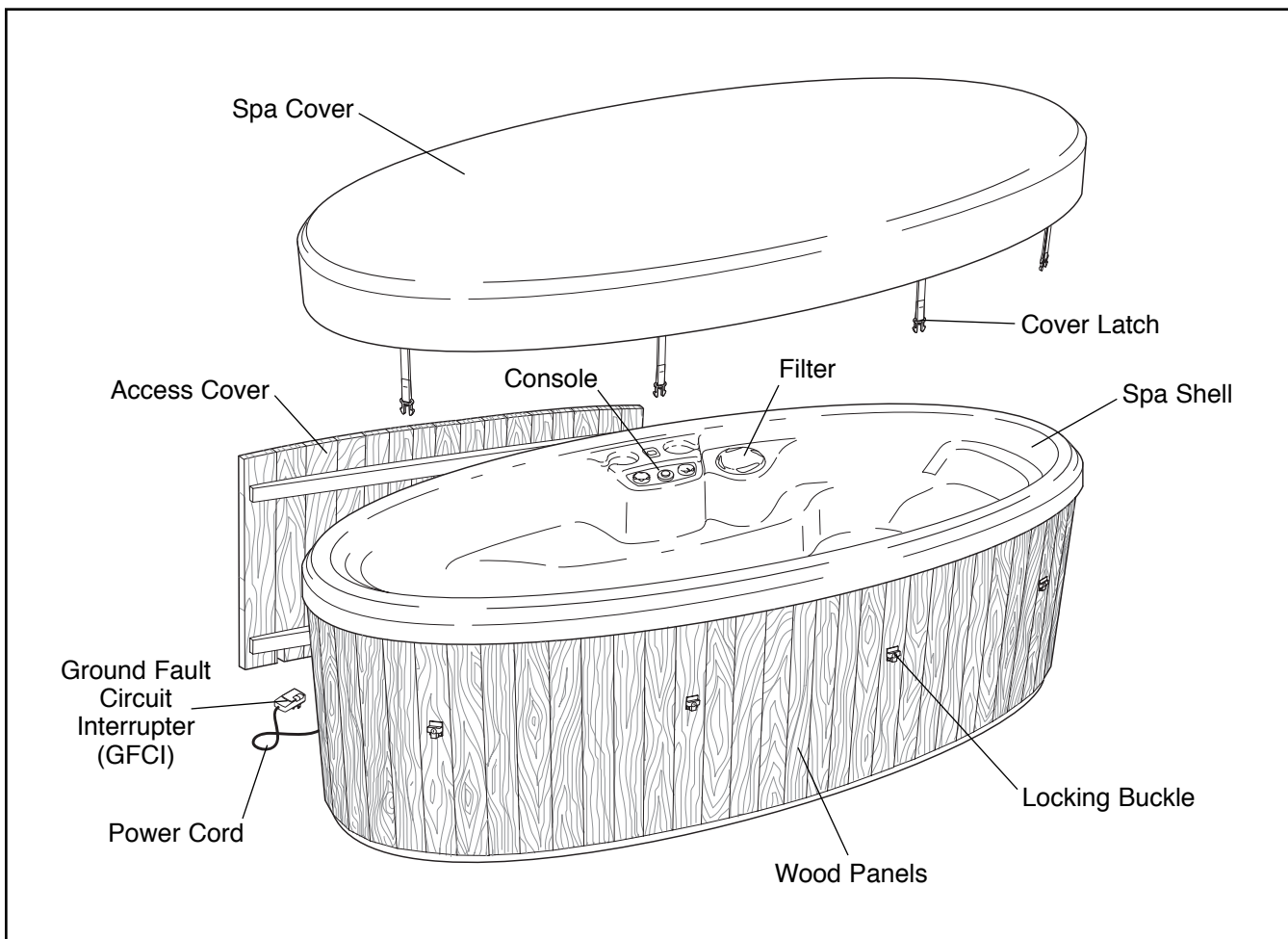
BEFORE YOU BEGIN

Congratulations for selecting the new IMAGE® RENEW 207 massage spa. The RENEW 207 offers the features and quality of a traditional hot tub at an affordable price, providing the benefits of hydrotherapy in the comfort and privacy of your home.

Hydrotherapy is a proven method for soothing tired muscles after exercise or for relieving the stress of a busy life. The warm environment stimulates blood flow, which is essential to the healing process, and the powerful massage action eases tension and stress throughout the body. The RENEW 207 gives you the specialized treatment you need to feel your best.

For your benefit, read this manual carefully before using the RENEW 207. If you have additional questions, please call our Customer Service Department toll-free at 1-877-897-7493, Monday through Friday, 6 a.m. until 6 p.m. Mountain Time (excluding holidays). To help us assist you, please mention the product model number and serial number when calling. The model number and serial number can be found on a decal attached to the frame inside the spa (see the front cover of this manual).

Before reading further, please familiarize yourself with the parts that are labeled in the drawing below.



CHOOSING A LOCATION FOR THE RENEW 207

There are many factors to consider when choosing a location to set up the RENEW 207. These factors vary depending on whether you plan to use the spa inside or outside. We have listed several factors you may wish to consider as you decide where you want to set up the spa.

If you set up the RENEW 207 inside:

1. The RENEW 207 will increase the level of humidity in your home. The location you choose should be well ventilated. You may need to install a ventilation fan or use a dehumidifier.
2. The location must be close to an electrical outlet. **Do not use an extension cord with the RENEW 207.**
3. The RENEW 207 should be close to a source of water.
4. Do not use the RENEW 207 on carpet or other material that may be damaged by moisture. We recommend that you place the spa on a water- and stain-resistant, non-slip surface with a floor drain for any water that may splash from the spa.
5. Be sure that the location you choose is stable. It must be able to support the weight of the RENEW 207 when it is filled with water, plus the weight of the occupants. The spa weighs approximately 1,500 pounds when filled with water.
6. Do not use the RENEW 207 above a finished living area, due to the risk of water damage.
7. Be sure that there is room around the RENEW 207 to permit servicing of the unit. The dimensions of the spa are: 3' 7" W x 7' 6" L x 2' 5" H. You should allow for this size when choosing the location.
8. The RENEW 207 is not designed for in-floor installation. However, it is compatible with a deck system that is built flush with the top of the spa, provided you leave access to the motor for service.
9. Be sure to note any other considerations, such as aesthetics or privacy concerns, that may affect the safety or enjoyment of using the RENEW 207.

If you set up the RENEW 207 outside:

1. Check your local building codes concerning the use of outdoor spas.
2. The location must be close to an electrical outlet. **Do not use an extension cord with the RENEW 207.**
3. The RENEW 207 should be close to a source of water.
4. We recommend that you place the RENEW 207 on a water- and stain-resistant, non-slip surface. Do not use the spa on rough or sharp surfaces such as gravel or wood chips.
5. Be sure that the location you choose is stable. It must be able to support the weight of the RENEW 207 when it is filled with water, plus the weight of the occupants. The spa weighs approximately 1,500 pounds when filled with water.
6. Consider environmental factors such as rain, wind, shade, sunlight, and so forth.
7. You should be able to monitor the use of the RENEW 207 from your home to prevent unauthorized use by children. You may want to enclose the spa with a fence and self-latching gate to prevent unauthorized use.
8. Be sure that there is room around the RENEW 207 to permit servicing of the spa. The dimensions of the spa are: 3' 7" W x 7' 6" L x 2' 5" H. You should allow for this size when choosing the location.
9. The RENEW 207 is not designed for in-ground installation. However, it is compatible with a deck system that is built flush with the top of the spa, provided you leave access to the motor for service.
10. Be sure to note any other considerations, such as aesthetics or privacy concerns, that may affect the safety or enjoyment of using the RENEW 207.

SETUP AND ASSEMBLY

Before beginning assembly, carefully read the following information and instructions:

- Place all parts of the spa in a cleared area and remove the packing materials from the spa shell; do not dispose of the packing materials until assembly is completed.
- Assembly requires two people.

- Read each assembly step before you begin.
- During assembly, make sure that all parts are turned as shown in the drawings.

TOOLS REQUIRED (not included):

- **One Phillips screwdriver** 

1. **Before beginning assembly, make sure that you have read and understand the information in the box above and on the previous page.**

Remove the four screws from the access cover on the console side of the spa. Remove the access cover by sliding it down and then pulling the bottom of it away from the spa. **Be careful not to damage the Spa Shell (15).**

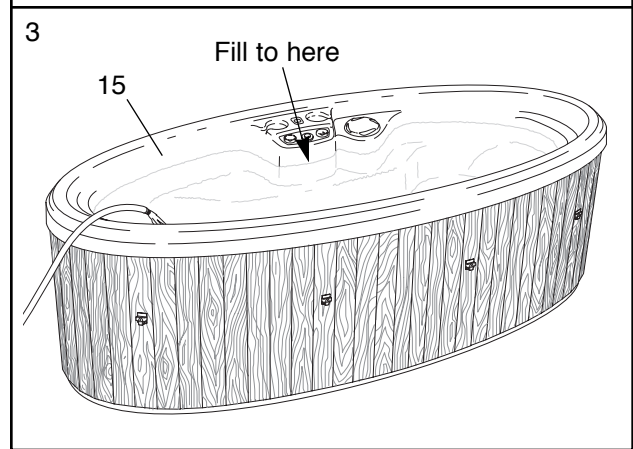
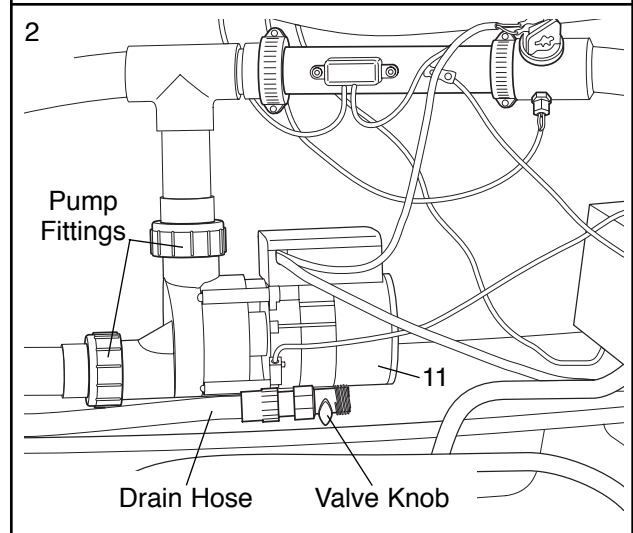
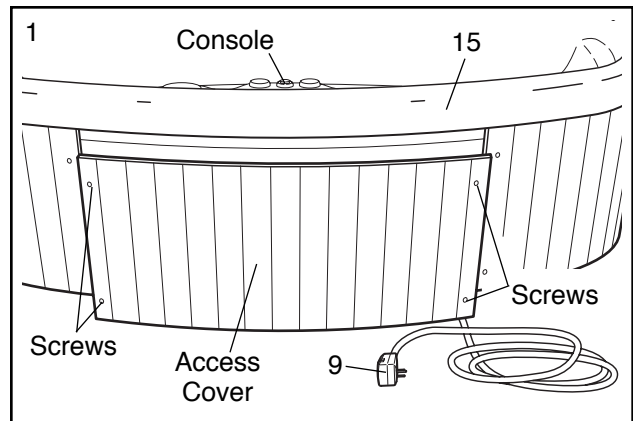
Remove the Power Cord with the GFCI (9) from inside the spa.

2. Close the valve knob on the drain hose. Tighten the two pump fittings.

Refer to step 1 above. Re-attach the access cover with the for screws.

3. Remove the warning decals (not shown) from the Spa Shell (15). Using a damp cloth, wipe the Spa Shell clean. **Before filling the spa, make sure that it is in the desired position and that there is room to easily service the spa. Once the spa is filled, it will have to be drained before it can be moved.**

Using a garden hose or other clean water source, begin filling the spa. **Do not use soft water.** The spa may be filled with cold water; however, if warm or hot water is used, the spa will be ready for use sooner. Fill the spa until the water is at the level shown at the right. **Do not overfill the spa.**



- Attach the nozzle of the included air pump to the valve on the Insulating Liner (4). Fill the Insulating Liner with air. **Be careful not to overfill the Insulating Liner.**

Lay the Spa Cover (11) on the floor as shown. Set the Insulating Liner (4) inside the Spa Cover.

Insert one of the four straps on the inside of the Spa Cover (11) through one of the loops on the Insulating Liner (4). Attach the latch on the strap to the buckle on the other end of the strap. Attach the other three straps on the inside of the Spa Cover to the Insulating Liner in the same way.

Place the Spa Cover (11) over the spa, making sure that the cutout in the Insulating Liner (4) is aligned with the Console (not shown).

- Place the Spa Cover (13) over the spa. **Make sure that the Spa Cover is centered.**

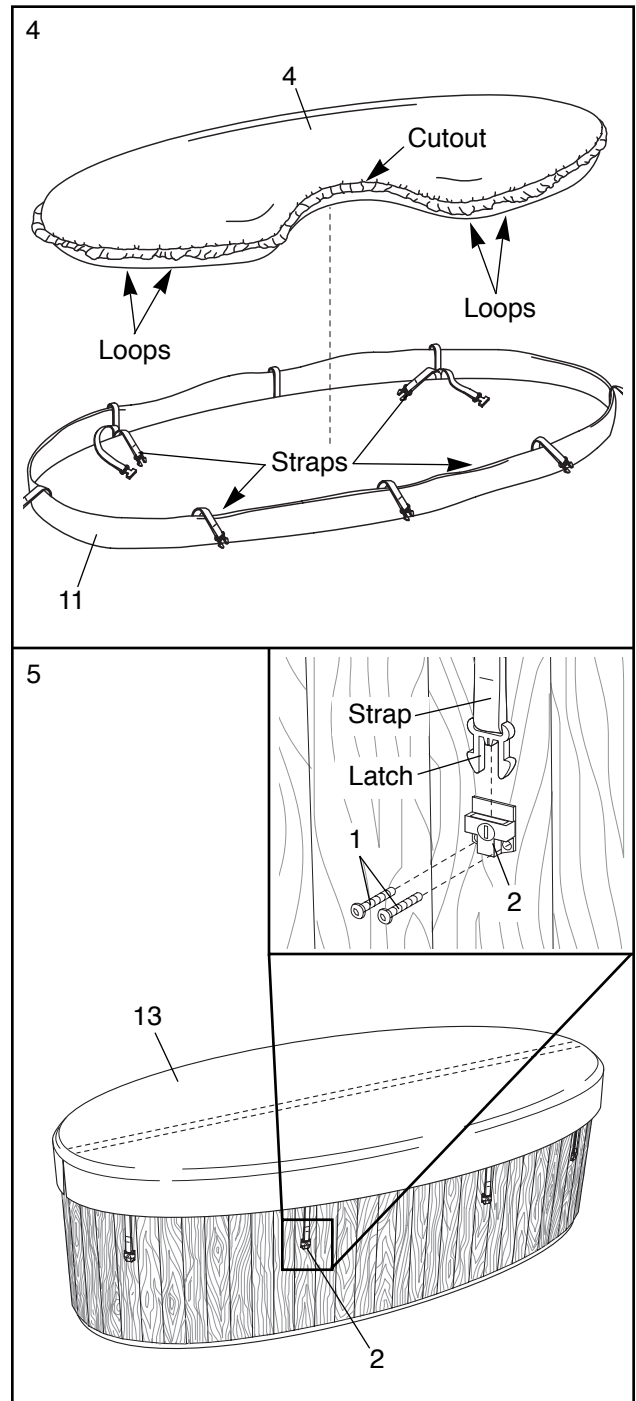
Snap a Buckle (2) onto each of the eight latches on the Spa Cover (13).

Pull down one of the straps on the Spa Cover (13) and hold the Buckle (2) against the side of the spa. (Note: To position the Buckle correctly, have a second person hold the strap on the opposite side of the Spa Cover tight.) **The Spa Cover must be tight. Do not place the Buckle over the grooves between the wood panels.** Refer to the inset drawing. Remove the latch from the Buckle (2). Attach the Buckle to the wood panel with two Buckle Screws (1).

Attach the other seven Buckles (2) to the wood panels in the same way.

Remove the Spa Cover (13) from the spa.

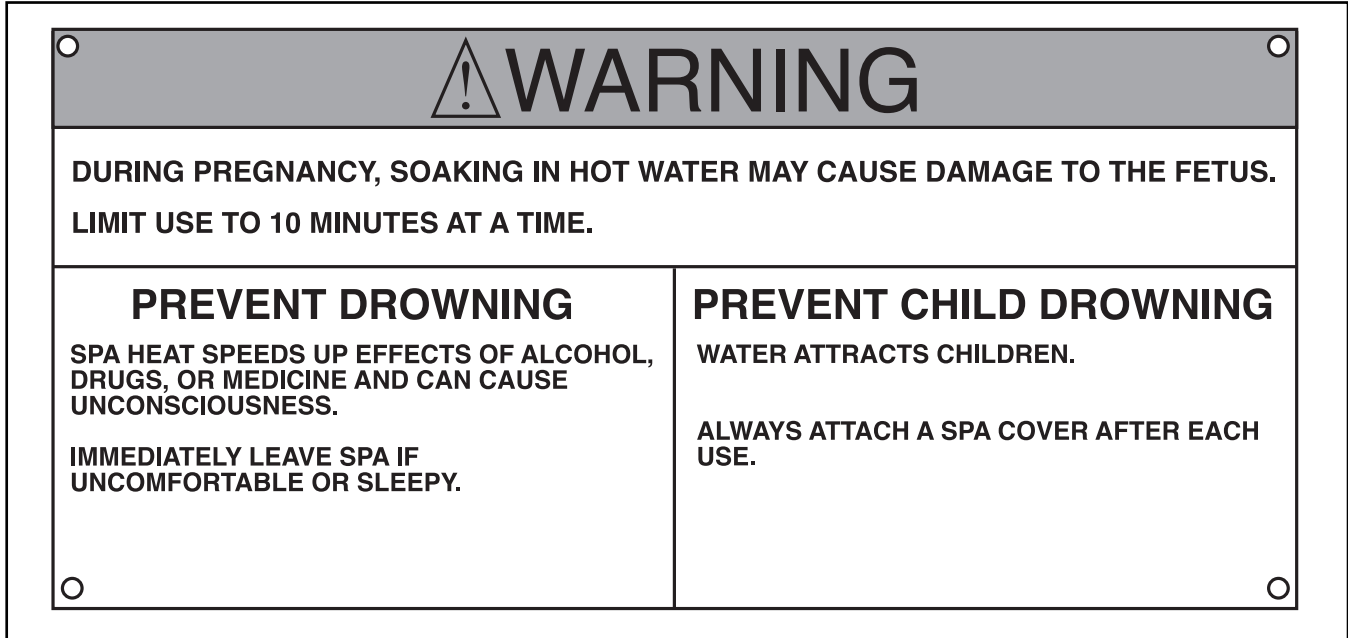
Before using the spa, carefully read USING THE RENEW 207 beginning on page 10.



- Before using the spa, follow the instructions on page 10 to post the included warning sign. **Do not allow the spa to be used before the warning sign is posted.**

POSTING THE WARNING SIGN

The included warning sign, shown below, must be posted on a wall or fence where it will be visible to all users of the RENEW 207. If the spa is moved, the sign must also be moved and reposted near the spa. If the sign becomes lost or illegible, call our toll-free Customer Hot Line at 1-877-897-7493 to obtain a free replacement sign. Post the sign as described above.



USING THE RENEW 207

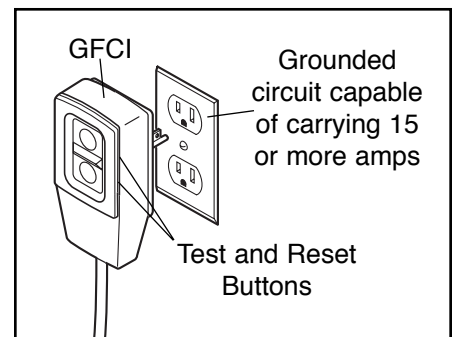
The RENEW 207 is designed to seat two adults. The spa holds 150 gallons of water and offers an automatic, programmable heating (70° F to 104° F) and filtration system. Seven thera-jets soothe and relax tired, sore muscles, and the strength of the massage is adjustable. Follow the guidelines below to use and maintain the spa for your long-term enjoyment.

PLUGGING IN THE RENEW 207

Once the RENEW 207 is filled with water, the power cord can be plugged in and the spa can be turned on. Note: The first time the power cord is plugged in, the spa will turn on automatically.

When connecting the power cord, plug the power cord directly into a grounded circuit capable of carrying 15 or more amps. No other appliance should be on the same circuit. Replace the power cord immediately if it becomes damaged.

There is a Ground Fault Circuit Interrupter (GFCI) on the end of the power cord. Always test the GFCI before using the RENEW 207.



First, turn on the RENEW 207 by pressing the pump control on the console. Once the unit is running, press the GFCI “test” button. The spa should shut off. Press the “reset” button. The spa should resume normal operation. If the spa continues to run after the “test” button is pressed, the GFCI is damaged. Do not use the spa until the GFCI has been repaired or replaced by a qualified electrician.

TESTING AND TREATING THE WATER

For water maintenance, the hydrotherapy spa comes with a starter chemical pack for maintaining the water in the spa. Additional chemicals can be purchased at a pool and spa supply store. **Always keep the chemicals away from children and pets.**

The first time you use the spa, you must test and treat the water. **You must also treat the water each time you refill the spa.** Once you have verified that the spa is functioning properly and the water has circulated for a while, remove the spa cover and follow the instructions contained in your starter chemical pack. Allow the water to circulate for five minutes. Next, test the pH of the water. You will need a pH test kit (not included), which can be obtained at a pool and spa supply store. The pH reading should be between 7.2 and 7.8. Follow the instructions contained in your starter chemical pack to achieve the proper pH level.

See WATER CHEMISTRY on page 14 for information concerning proper water maintenance.

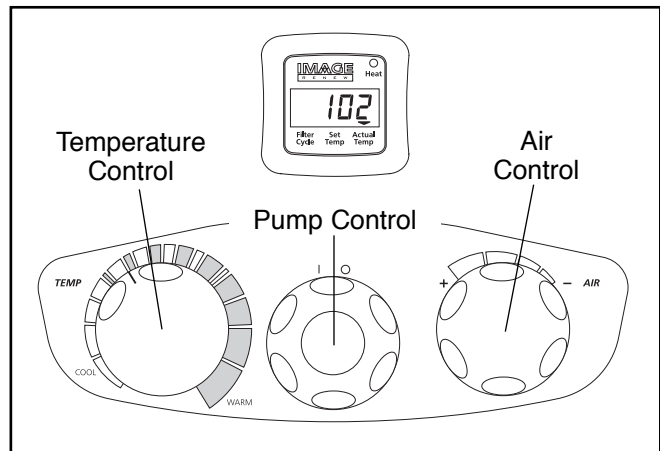
STARTING THE RENEW 207

Once you have tested the GFCI, you should verify the water flow from the pumping unit. Set the air control on the console to the lowest setting (see USING THE CONSOLE on the next page). The pumping unit will heat the water as it pumps. Cover the RENEW 207 with the spa cover and liner. **The spa cover must be tight.** (See SECURING THE SPA COVER on page 12.) The water will heat at about 3.0° F per hour with the cover on. If you are using the spa indoors and the room temperature is maintained at 70° F, it will take approximately 10 to 20 hours for the water to reach the set temperature.

The temperature and water flow can be set or changed by the controls on the console (see USING THE CONSOLE at the right).

USING THE CONSOLE

The function of each console control is explained below:



Temperature Control: This control is used to set the temperature of the water. The water heats at about 3.0° F per hour with the cover on. The thermostat can be set to heat the water from 70° F to 104° F. Always use an accurate thermometer to check the temperature of the water.

Note: The RENEW 207 features automatic freeze protection. If the water temperature falls below 40° F, the pump will begin circulating and heating the water to prevent the water from freezing.

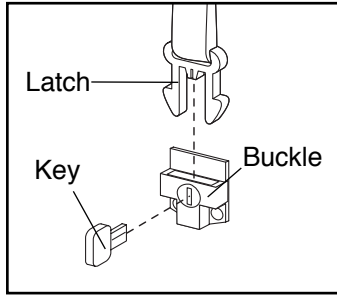
Pump Control: This control turns the thera-jets on and off. To turn the thera-jets on, press the control once. To turn the thera-jets off, press the control again. The thera-jets will remain off for 20 minutes. After 20 minutes, the pump will begin cycling to heat the water if the temperature falls below the minimum setting. **Note: To keep the heat cycle from running, the power cord must be unplugged.**

Air Control: This control determines the amount of air flowing through the thera-jets during operation. If the control is turned counterclockwise, the amount of air will increase; if the control is turned clockwise, the amount of air will decrease.

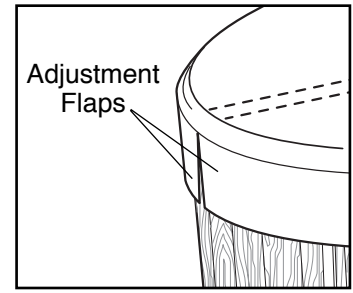
SECURING THE SPA COVER

To secure the spa cover, snap the latches on the spa cover into the buckles on the side of the spa.

To lock the buckles, insert the key and turn it clockwise 1/4 turn. To unlock the buckles, insert the key and turn it counterclockwise 1/4 turn.

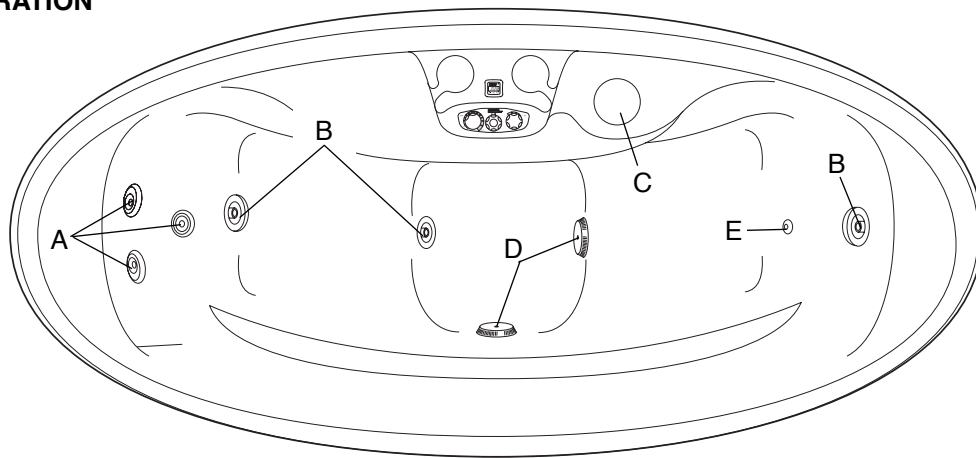


After the spa cover is secured, you can further tighten it by adjusting the self-attaching flaps on each end of the spa cover.



Always keep the buckles locked when the spa is not in use. Keep the keys in a safe place, out of the reach of children.

SPA JET OPERATION



Refer to the diagram above. The function of each feature is explained below:

The three **fixed thera-jets** (A), located on one end of the spa, focus a water massage on your back.

The three **adjustable thera-jets** (B) can be adjusted for a custom water massage. One of the jets focuses a water massage on your lower back, a second jet focuses a water massage on your upper back, and a third jet near the floor of the spa focuses a water massage on your legs. Note: The adjustable thera-jets can be closed and opened by pushing and pulling the nozzles. If no air flows through the thera-jets when the air control is turned counterclockwise, simply pull the nozzles slightly.

The **filter** (C) can be removed for cleaning and replacement (see CHECKING AND CLEANING THE FILTER on page 13).

The **suction vents** (D), located near the floor of the spa, bring water into the pump in order to operate the system. The suction covers should always be in place over the suction vents. **Never operate the spa without the suction covers in place.**

The spa is ozone ready. An optional ozone generator can be installed to utilize the **ozone jet** (E). Ozone provides a way to help sanitize your spa with minimal chemical treatment.

MAINTENANCE

The RENEW 207 is designed to provide years of enjoyment. Follow the guidelines below to properly maintain the spa.

MAINTENANCE SCHEDULE

DAILY

- Check the water level. If necessary, refill the spa to the level shown in step 3 on page 8.
- Adjust the pH balance and sanitizer level if needed (see WATER CHEMISTRY on page 14).

WEEKLY

- Clean the spa shell at the waterline.
- Check and thoroughly clean the filter (see CHECKING AND CLEANING THE FILTER on this page).
- Replace the filter if needed (see ORDERING REPLACEMENT PARTS on the back cover).

MONTHLY

- Clean the spa cover (see MAINTAINING THE SPA COVER below).
- Soak the filter for two hours in a trisodium phosphate (TSP) solution. Rinse the filter in clean water.
- Replace the filter if needed (see ORDERING REPLACEMENT PARTS on the back cover).

EVERY THREE MONTHS

- Drain the spa and refill it with clean water. Sanitize and test the pH of the water.
- Check for any leaks around the pump or joints in the pipes. The seals will wear out over time; detecting leaks early can reduce repair costs.
- Clean the interior of the spa. Do not use solvents or waxes.

MAINTAINING THE SPA COVER

The spa cover should be cleaned monthly. To clean the spa cover, hang it over a clothesline and spray it with a hose. Allow the cover to dry thoroughly.

CLEANING THE SPA SHELL

The spa shell should be cleaned with a mild soap solution. Do not use solvents. The spa should always be clean and dry before being moved or stored.

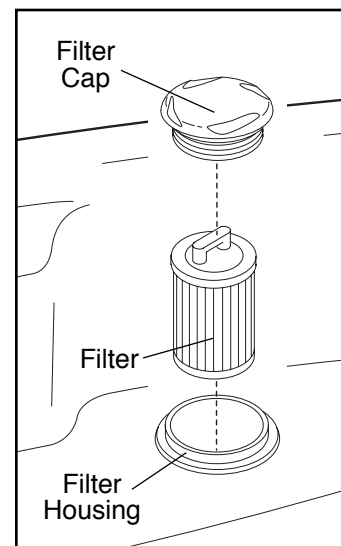
MAINTAINING THE SPA EXTERIOR

The surround has been treated at the factory. For information and supplies to maintain the beauty and color of your surround, call our Customer Service Department toll-free at 1-877-897-7493.

CHECKING AND CLEANING THE FILTER

The filter should be checked periodically for build-up of dirt and oil. Follow the steps below:

1. Turn off the power.
2. Remove the filter cap.
3. Lift the filter from the filter housing.
4. Check the filter for dirt and debris. If the filter needs to be cleaned, rinse the filter with a hose. If the filter is still dirty, soak it in a cleaning solution obtained from a pool and spa supply store.
5. Inspect the filter for damage. Replace the filter if there are any signs of damage.
6. Re-insert the cleaned filter into the filter housing.
7. Re-attach the filter cap.



SANITIZING THE RENEW 207

Please refer to your local pool and spa supplier for information concerning which chemicals you should use in your area to sanitize the spa.

The most common sanitizing agent is a solid bromine concentrate. The amount required varies according to several factors such as user load, temperature, water conditions, and so forth.

Proper water maintenance is a complex process. We recommend that you contact your local pool and spa supplier for information about how to do this.

WATER CHEMISTRY

The hydrotherapy spa comes with a starter chemical pack for maintaining the water in the spa. (See TESTING AND TREATING THE WATER on page 11.) Additional chemicals can be purchased at a pool and spa supply store.

CAUTION: The chemicals used to maintain the pH balance of the water and to sanitize the water can be dangerous. Always follow these basic guidelines when handling the chemicals:

1. Always read and follow the directions on the label, unless directed to do otherwise.
2. Never mix different chemicals.
3. Do not exceed the recommended amounts of chemicals—follow the directions on the label closely.
4. Keep all chemicals out of the reach of children and pets.
5. Keep all containers closed tightly when not in use.
6. Never add water to the chemicals—always add the chemicals to the water as directed.
7. Always store chemicals in a cool, dry place.

MAINTAINING THE PROPER PH BALANCE

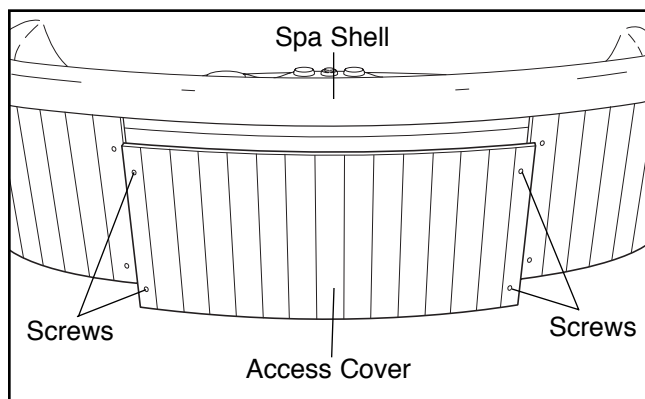
The pH factor is a measure of relative acidity or alkalinity in the water. It is measured on a scale of 1 to 14. Pure water has a value of 7, which is neutral. Any value above 7 is alkaline and any value below 7 is acidic. You should maintain a slightly alkaline pH level, between 7.2 and 7.8, in the RENEW 207.

Severe problems can occur when the pH balance is not maintained within this range. If the pH level exceeds 7.8, dissolved minerals can build up and clog the plumbing in the spa jet unit. If the pH level falls below 7.2, the acid level in the water will begin to corrode the metal parts in the spa jet unit. Also, the sanitation agents in the water will not be effective if the pH level is not properly maintained. Damage caused by improper pH levels is not covered under the warranty.

To maintain the proper pH level, test the pH of the water regularly. You will need a pH test kit (not included), which can be obtained at a pool and spa supply store. The pH reading should be between 7.2 and 7.8. If the level is too low, add a pH increaser (usually soda ash). If the level is too high, add a pH reducer (usually sodium bisulfate). Test the water again after five minutes. See the instructions with your pH test kit for additional information about testing and adjusting the pH.

REMOVING AND ATTACHING THE ACCESS COVER

To remove the access cover, first remove the four access cover screws. Slide the access cover down and then pull the bottom of it away from the spa unit. **Be careful not to damage the spa shell as you remove the cover.**



If the spa will be stored for any period of time, place the power cord inside the spa unit before re-attaching the access cover.

To reattach the access cover, insert the top of the cover under the edge of the spa shell. Slide the cover up until the bottom of the cover clears the trim along the bottom of the spa unit. Slide the cover into place and re-attach it with the two access cover screws.

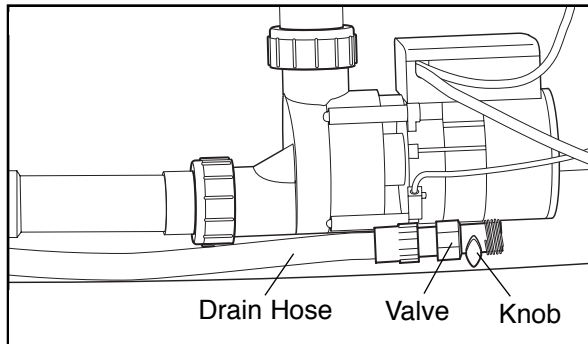
DRAINING THE RENEW 207

The RENEW 207 should be drained at least four times a year and refilled with clean water. You may need to drain the spa more often, depending on the user load. This must be done, because after repeated chemical treatment, the water becomes chemically saturated. Once this happens, additional chemical treatment of the water is no longer effective. The spa should also be drained if it will not be used for long periods of time. The spa must always be drained before major repairs are made.

The RENEW 207 should always be covered when it is empty. Direct sunlight can cause extensive damage. The surface of the spa shell can reach temperatures as high as 150° F in a matter of minutes if exposed to the sun while it is empty. These high temperatures can cause significant damage, such as blistering of the shell surface and warping of the spa shell. Any damage caused by sun exposure is not covered under warranty.

To drain the RENEW 207, follow these steps:

1. Set the temperature control on the console to the lowest setting.
2. Unplug the power cord.
3. Remove the access cover from the spa.
4. Remove the drainage hose from the clip and attach a garden hose to the valve on the drainage hose.



5. Open the valve by turning the knob counterclockwise. The water will begin to drain.
6. When the spa is empty, close the valve and remove the garden hose. Return the drainage hose to the clip and re-attach the access cover.
7. Refill the spa and treat the water with chemicals (see pages 8 and 14).

WINTER USE AND CARE

The RENEW 207 is designed for year-round use. If you decide to store the spa for the winter, store it in a warm, dry location. Follow the steps below to winterize the spa.

1. Drain the spa (see DRAINING THE RENEW 207 on page 14).
2. Remove all remaining water from the spa shell. Dry the spa shell with towels.
3. Set the air control on the console to the lowest setting. Use a wet/dry vacuum to pull any remaining water from the system. To do this, place the vacuum nozzle over each thera-jet, starting with the highest one and finishing with the lowest one.
4. Set the air control on the console to the highest setting and repeat step 3.
5. Clean the spa shell (see page 13).
6. Clean the filter (see page 13).
7. Re-attach the access cover.
8. Re-attach the spa cover.

TROUBLE-SHOOTING

Most problems can be solved by following the simple steps below. Find the symptom that applies, and follow the steps listed. If further assistance is needed, call our Customer Service Department toll-free at 1-877-897-7493, Monday through Friday, 6 a.m. until 6 p.m. Mountain Time.

1. SYMPTOM: THE SPA WILL NOT OPERATE

- a. Check the power cord. The power cord must be plugged into a grounded outlet (see PLUGGING IN THE RENEW 207 on page 10).
- b. Check the GFCI breaker to see if it is tripped or if it was not turned on. Reset the GFCI breaker.

2. SYMPTOM: THE CIRCUIT BREAKER OR GFCI BREAKER TRIPS WHILE THE SPA IS OPERATING

- a. Reset the circuit breaker. If the circuit breaker trips again, contact a qualified electrician for service.

3. SYMPTOM: THE PUMP HUMS

- a. The filter may be dirty or damaged. Remove the filter from the filter housing of the spa jet unit and clean or replace the filter.
- b. The pump may have a foreign object stuck in the impeller. Contact our customer service department or, if your spa is no longer under warranty, you may also contact a local spa and pool service provider.
- c. The pump may have a loose wire connection. Contact our customer service department or, if your spa is no longer under warranty, you may also contact a local spa and pool service provider.

4. SYMPTOM: THE PUMP HUMS BUT DOES NOT ROTATE

- a. The pump may be jammed. Contact our customer service department. If your spa is no longer under warranty, you may wish to contact a local spa and pool service provider.

5. SYMPTOM: THE PUMP IS NOISY WHILE OPERATING

- a. There may be debris in the pump. Contact our customer service department. If your spa is no longer under warranty, you may wish to contact a local spa and pool service provider.

- b. The pump may have a bad bearing. Contact our customer service department. If your spa is no longer under warranty, you may wish to contact a local spa and pool service provider.

6. SYMPTOM: THE WATER DOES NOT HEAT

- a. The pump in the spa jet unit is the heater. If the pump is operating, the water should heat. Cover the RENEW 207 with the spa cover. **The spa cover must be tight with the insulating liner in place.** Set the air control to low. The water will heat at a rate of 3.0° F per hour. If you are using the spa indoors, and the room temperature is maintained at 70° F, it will take approximately 10 to 15 hours for the water to reach the set temperature.
- b. If you are using the RENEW 207 outdoors, it may take longer for the water to heat. See the chart below for the approximate heating time.

<u>Air Temperature</u>	<u>Heating Time</u>
70° F +	10 to 15 hours
50° F to 70° F	16 to 25 hours
30° F to 50° F	26 to 30 hours

If the water still has not heated after four days, contact our customer service department or, if your spa is no longer under warranty, you may also contact a local spa and pool service provider.

7. SYMPTOM: THE SPA CONTINUES TO RUN AFTER IT HAS BEEN SHUT OFF

- a. To turn the spa jets on, press the pump control once. To turn the spa jets off, press the control again. After you press the control once, the spa jets will shut off for about 30 seconds and then restart. Press the control again. The spa jets will remain off for 20 minutes, at which time they will begin running the filter cycle. Note: At any time after the spa jets have been shut off, the pump will begin cycling the water if the temperature falls below the minimum setting.

8. SYMPTOM: THE WATER PULSATES OR THERE IS MINIMUM WATER FLOW

- a. This usually occurs only when the water level is low. Add water to the level shown in step 3 on page 8.
- b. The filter may be dirty. Check the filter and clean it if necessary.

9. SYMPTOM: THE WATER IS NOT BEING CLEANED BY THE FILTER

- a. Check to see if the filter is in place. Clean the filter if it is dirty.
- b. Check the chemical balance of the water. If the pH is incorrect, the sanitizing agents will not function properly.

10. SYMPTOM: THE WATER LEVEL DROPS

- a. Some water loss due to evaporation is normal. If rapid water loss occurs, or if you notice wet-

ness on the floor around the RENEW 207, the spa shell may have a leak. Contact your local spa and pool service provider for repairs.

- b. A clamp or seal inside the pump compartment may be loose. Check inside the pump compartment for excess water, and watch the pump unit while it is operating to see if water drips from any of the plumbing. If you can identify the location of the leak inside the spa jet unit, tighten the clamp or replace the damaged seal.

11. SYMPTOM: NO AIR FLOWS THROUGH THE ADJUSTABLE HYDROTHERAPY JETS WHEN THE AIR CONTROL IS TURNED COUNTER-CLOCKWISE

- a. The three adjustable thera-jets can be closed and opened by pushing and pulling the nozzles. If no air flows through the thera-jets when the air control is turned counterclockwise, simply pull the nozzles slightly.

PART LIST

Model No. IMSW20700, IMSG20700, IMSB20700

R1100A

Key No.	Qty.	Description	Key No.	Qty.	Description
1	16	Buckle Screw	28	1	Air Control Knob
2	8	Buckle	29	1	On/Off Switch Assembly
3	7	1/4" x 1.25" Bolt	30	1	Drain Hose Cap
4	3	Lock Washer	31	1	Hose Washer
5	1	Heater Wire Harness	32	1	Filter Cap w/O-Ring
6	1	Temperature/Hi Limit Probe Assembly	33	2	#10 Kep Nut
7	1	Console Overlay	34	1	Heater Assembly
8	1	Pressure Switch	35	1	LCD Display
9	1	Control Box	36	1	Motor Mount Plate
10	2	Removable Collar	37	1	Thermostat Knob
11	1	Pump Motor	38	1	Quick Mount Bracket
12	1	Insulating Liner	39	1	On/Off Wire Harness
13	1	Spa Cover	40	2	Switch Cover Screw
14	1	Drowning Warning Decal	41	1	Heater Gasket
15	10	Flat Washer	42	1	Flat Heater Gasket
16	1	Sun Warning Decal	#	2	Key
17	4	Collar Screw	#	1	Foot Pump
18	1	Heater Terminal Cover	#	1	User's Manual
19	1	Small Switch Cover	#	1	Warning Sign
20	1	Large Switch Cover	#	2	Access Panel
21	1	Filter	#	1	Chemical Starter Pack
22	2	Suction Cover Screw	#	1	pH Test Kit
23	2	Suction Cover	#	2	"T" Molding
24	1	Thermostat Assembly	#	24	Panel Screw
25	2	Power Supply Mounting Screw	#	1	Jump Wire, Blue
26	3	Adjustable Thera-jet	#	2	Ground Wire
27	1	Compression Fitting	#	4	Corner Panel

Note: "#" indicates a non-illustrated part. Specifications are subject to change without notice.

ORDERING REPLACEMENT PARTS

To order replacement parts, simply call our Customer Service Department toll-free at 1-877-897-7493, Monday through Friday, 6 a.m. until 6 p.m. Mountain Time (excluding holidays). To help us assist you, please be prepared to give the following information when calling:

- The MODEL NUMBER of the product (IMSW20700, IMSB20700, IMSG20700)
- The NAME of the product (IMAGE® RENEW 207 hydrotherapy spa)
- The SERIAL NUMBER of the product (see the front cover of this manual)
- The KEY NUMBER and DESCRIPTION of the desired part(s) (see the PART LIST on page 18).

LIMITED HYDROTHERAPY SPA WARRANTY

ICON Health & Fitness, Inc. (ICON), warrants this product to be free from defects in workmanship and material, under normal use and service conditions, for a period of ninety (90) days from the date of purchase. ICON extends a limited five (5) year warranty on the spa shell structure. ICON extends a limited two (2) year warranty on the pump and motor. This warranty extends only to the original purchaser. ICON's obligation under this warranty is limited to replacing or repairing, at ICON's option, the product through one of its authorized service centers. All repairs for which warranty claims are made must be pre-authorized by ICON. This warranty does not extend to any product or damage to a product caused by or attributable to freight damage, abuse, misuse, improper or abnormal usage, or repairs not provided by ICON authorized service personnel; to products used for commercial or rental purposes; or to products used as store display models. Specifically excluded are damages caused by or attributable to the following incidents: any damage to the surround or frame attributable to improper handling or freight damage; damage resulting from improper winterization; damage to the spa shell resulting from improper chemical treatment, damage to the spa shell resulting from exposure to extreme temperatures, or damage to the spa shell resulting from exposure to direct sunlight and ultraviolet rays while the spa is empty; damage to the pump, motor, plumbing, and components due to improper maintenance, chemical treatment, or exposure; or damage resulting from failure to properly follow user's manual installation, operating, or maintenance instructions. Also excluded are consumable components, including but not restricted to filter cartridges. No other warranty beyond that specifically set forth above is authorized by ICON.

ICON is not responsible or liable for indirect, special or consequential damages arising out of or in connection with the use or performance of the product or damages with respect to any economic loss, loss of or damage to property including water damage, loss of revenues or profits, loss of enjoyment or use, costs of removal, installation or other consequential damages of whatsoever nature. Some states do not allow the exclusion or limitation of incidental or consequential damages. Accordingly, the above limitation may not apply to you.

The warranty extended hereunder is in lieu of any and all other warranties and any implied warranties of merchantability or fitness for a particular purpose is limited in its scope and duration to the terms set forth herein. Some states do not allow limitations on how long an implied warranty lasts. Accordingly, the above limitation may not apply to you.

This warranty gives you specific legal rights. You may also have other rights which vary from state to state.

ICON HEALTH & FITNESS, INC., 1500 S. 1000 W., LOGAN, UT 84321-9813