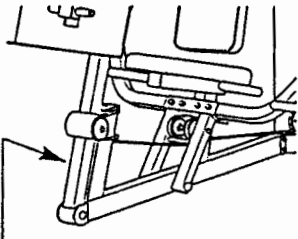


IMAGE[®] 5.2

Model No. IMSY52161

Serial No. _____

Write the serial number in the space above for reference.



Serial Number Decal

QUESTIONS?

As a manufacturer, we are committed to providing complete customer satisfaction. If you have questions, or find that there are missing or damaged parts, we will guarantee you complete satisfaction through direct assistance from our factory.

TO AVOID UNNECESSARY DELAYS, PLEASE CALL DIRECT TO OUR TOLL-FREE CUSTOMER HOT LINE. The trained technicians on our customer hot line will provide immediate assistance, free of charge to you.

CUSTOMER HOT LINE:

1-800-999-3756

Mon.-Fri., 6 a.m.-6 p.m. MST

CAUTION

Read all precautions and instructions in this manual before using this equipment. Save this manual for future reference.

USER'S MANUAL

RELEASED TO
NOV 14 1996
MANUFACTURING

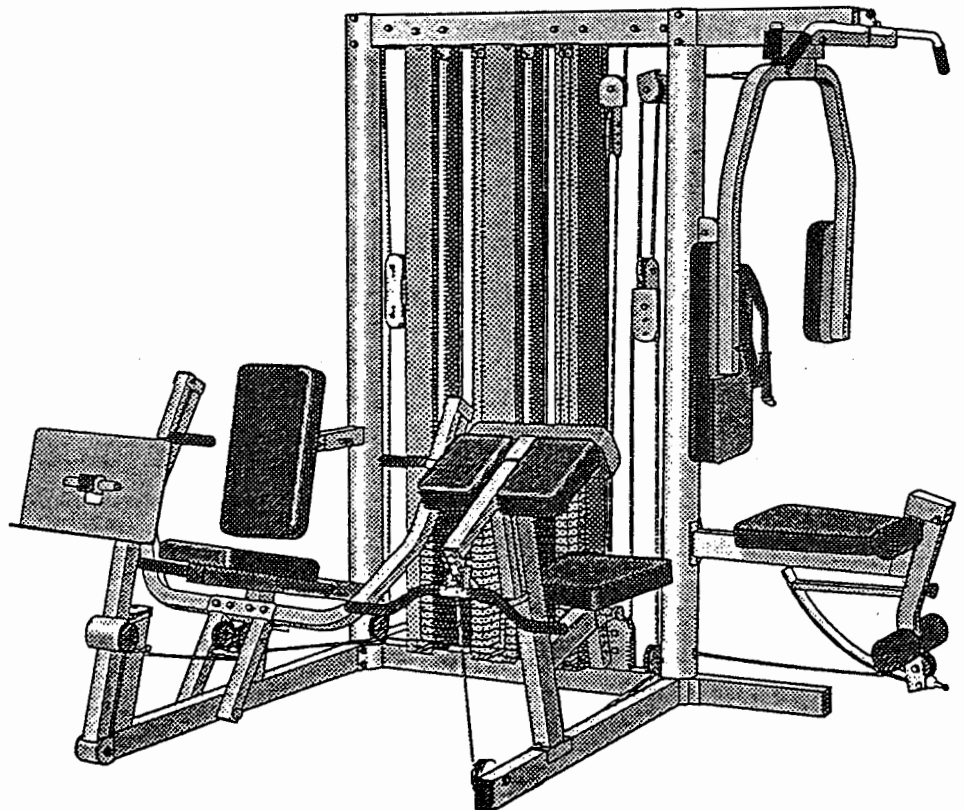


TABLE OF CONTENTS

IMPORTANT PRECAUTIONS	.2
BEFORE YOU BEGIN	.3
ASSEMBLY	.4
HOW TO ADJUST THE IMAGE 5.2	.27
TROUBLE-SHOOTING AND MAINTENANCE	.29
CABLE DIAGRAMS	.30
ORDERING REPLACEMENT PARTS	.Back Cover
LIMITED WARRANTY	.Back Cover

Note: A PART IDENTIFICATION CHART and a PART LIST/EXPLODED DRAWING are attached to the center of this manual. Remove the PART IDENTIFICATION CHART and the PART LIST/EXPLODED DRAWING before beginning assembly.

IMPORTANT PRECAUTIONS

WARNING: To reduce the risk of serious injury, read the following important precautions before using the IMAGE 5.2.

1. Read all instructions in this manual and in the accompanying literature before using the IMAGE 5.2.
2. It is the responsibility of the owner to ensure that all users of the IMAGE 5.2 are adequately informed of all warnings and precautions.
3. When assembling the top frame and front and rear uprights, do not put your hands into the uprights or under the top frame in order to align the holes. Your hands or fingers could be pinched or cut.
4. If you feel pain or dizziness at any time while exercising, stop immediately and begin cooling down.
5. Use the IMAGE 5.2 only on a level surface. Cover the floor underneath the IMAGE 5.2 to protect it.
6. Inspect and tighten all parts often. Replace any worn parts immediately.
7. Keep small children and pets away from the IMAGE 5.2 at all times.
8. Always wear athletic shoes for foot protection.
9. Keep hands and feet away from moving parts.
10. Always place the lat bar in the lat bar holder when performing an exercise that does not use the lat bar.
11. Never release the press arm, butterfly arms, leg lever, leg press plate, lat bar, curl bar, row bar, or nylon strap while weights are raised. The weights will fall with great force.
12. Always lock the leg lever before using the low pulley station.
13. Make sure that the cables remain on the pulleys at all times. If the cables bind as you are exercising, stop immediately and make sure that the cables are on all of the pulleys.

WARNING: Before beginning this or any exercise program, consult your physician. This is especially important for persons over the age of 35 or persons with pre-existing health problems. Read all instructions before using. ICON assumes no responsibility for personal injury or property damage sustained by or through the use of this product.

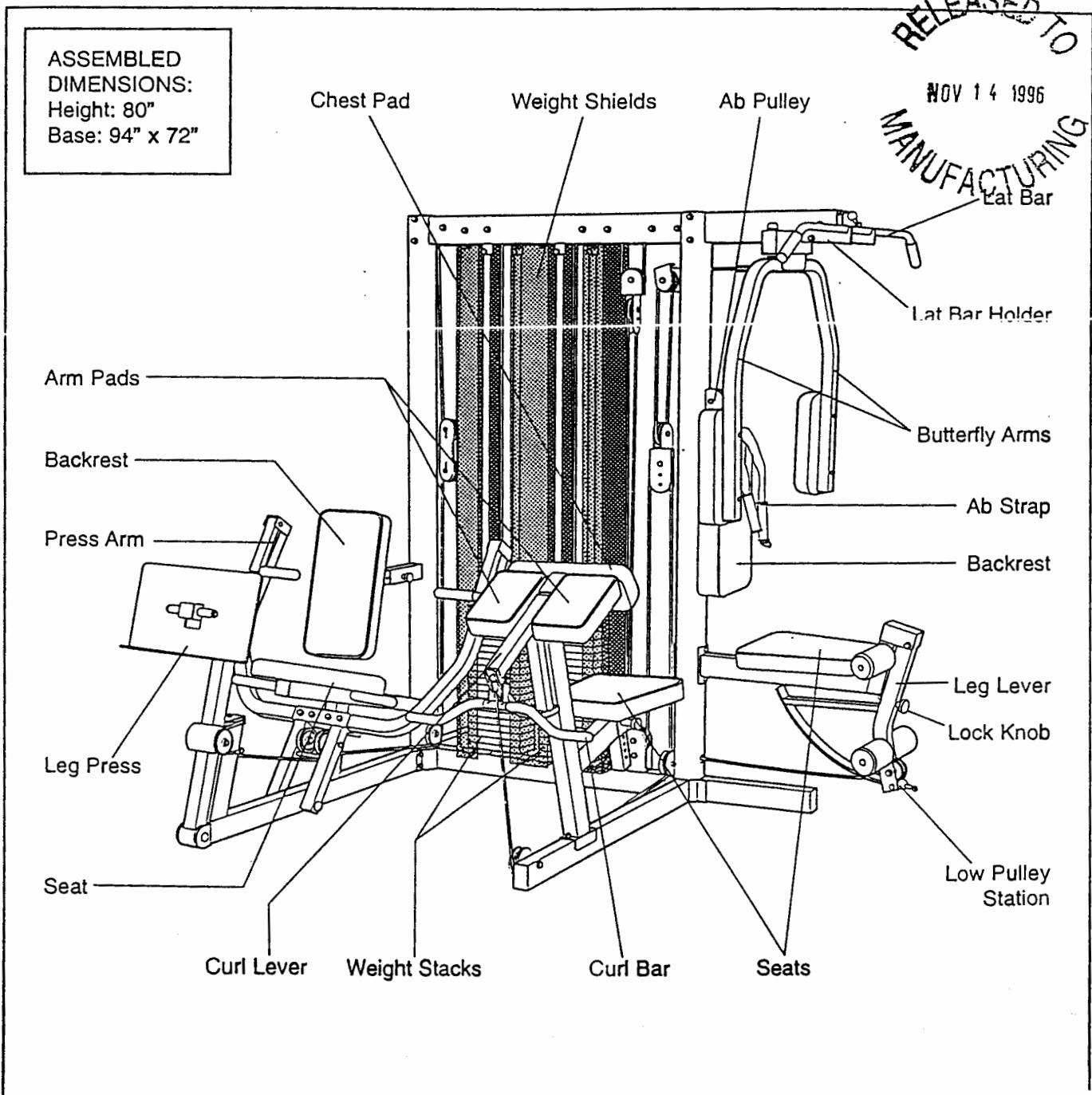
BEFORE YOU BEGIN

Thank you for selecting the versatile IMAGE® 5.2 Home Gym System. The IMAGE® 5.2 offers a selection of weight stations designed to develop every major muscle group of the body. Whether your goal is to tone your body, build dramatic muscle size and strength, or improve your cardiovascular system, the IMAGE® 5.2 will help you to achieve the specific results you want.

Service Department toll-free at 1-800-999-3756, Monday through Friday, 6 a.m. until 6 p.m. Mountain Time (excluding holidays). To help us assist you, please note the product model number and serial number before calling. The model number is IMSY52161. The serial number can be found on a decal attached to the IMAGE® 5.2 (see the front cover of this manual).

For your benefit, read this manual carefully before using the IMAGE® 5.2 Home Gym System. If you have additional questions, please call our Customer

Before reading further, please review the drawing below and familiarize yourself with the parts that are labeled.





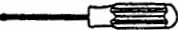
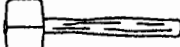
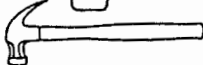

ASSEMBLY

Before beginning assembly, carefully read the following information and instructions:

- Assembly requires two people.
- Due to the size of the IMAGE 5.2, it should be assembled in the location where it will be used.
- Place all parts in a cleared area and remove the packing materials; do not dispose of the packing materials until assembly is completed.
- For help identifying the small parts used in assembly, use the **PART IDENTIFICATION CHART** located in the center of this manual. Note: Some small parts may have been pre-attached for shipping. If a part is not in the parts bag, check to see if it has been pre-attached.
- As you assemble the IMAGE 5.2, be sure that all parts are oriented as shown in the drawings.

- Tighten all parts as you assemble them, unless instructed to do otherwise.

THE FOLLOWING TOOLS (NOT INCLUDED) ARE REQUIRED FOR ASSEMBLY:

- Two (2) adjustable wrenches 
- One (1) standard screwdriver 
- One (1) phillips screwdriver 
- One (1) rubber mallet 
- One (1) hammer 
- The included retainer tool 
- Lubricant, such as grease or petroleum jelly, and soapy water will also be needed.

Assembly will be more convenient if you have the following tools: A socket set, a set of open-end or closed-end wrenches, or a set of ratchet wrenches.

1. Before beginning assembly, be sure that you have read and understand the information in the box above.

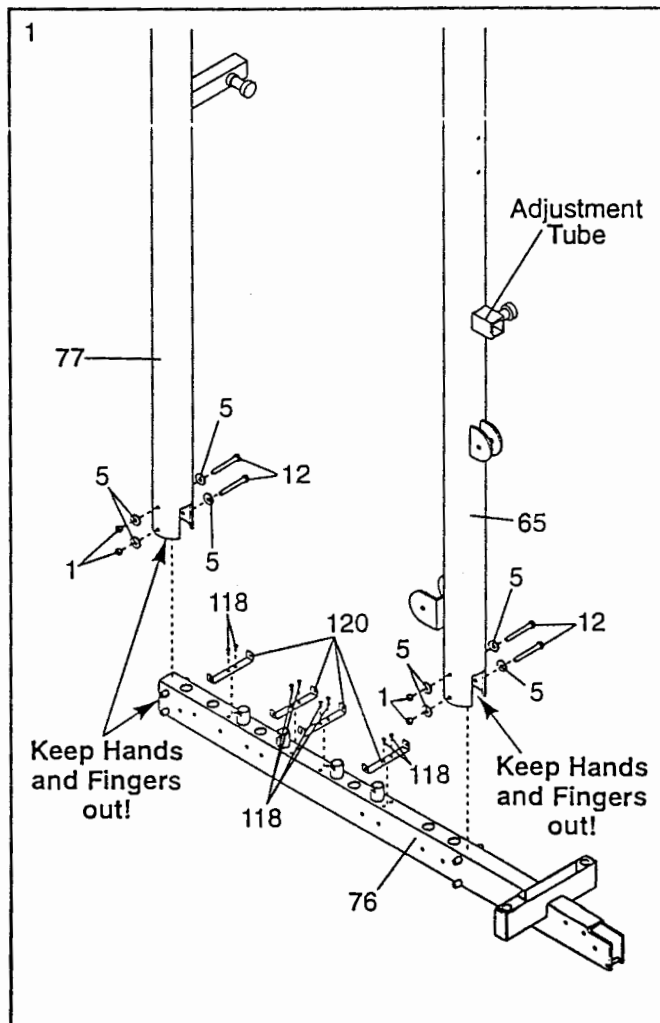
Locate and open the parts bag labeled "IMAGE 5.2 Shield Assembly."

Attach four Upper Shield Brackets (120) to the Top Frame (76) with eight 1/2" Self-tapping Screws (118). The Brackets must be oriented as shown. Note: The Self-tapping Screws will require some effort to thread into place.

Locate and open the parts bag labeled "IMAGE 5.2 Steps 1-7."

WARNING: When you are assembling the Top Frame (76) and the Front and Rear Uprights (65, 77) do not put your hands or fingers inside the Top Frame or into the Uprights for any reason. Your hands or fingers could be seriously injured if they get caught between these parts.

Set the Top Frame (76) upside down on the floor. Turn the Front and Rear Uprights (65, 77) upside down. Attach the Front and Rear Uprights to the Top Frame with four 3/8" x 4 3/4" Bolts (12), eight 3/8" Washers (5), and four 3/8" Nylon Locknuts (1). Be sure that the Front Upright is turned so that the adjustment tube is on the side shown. Do not tighten the Nylon Locknuts yet.

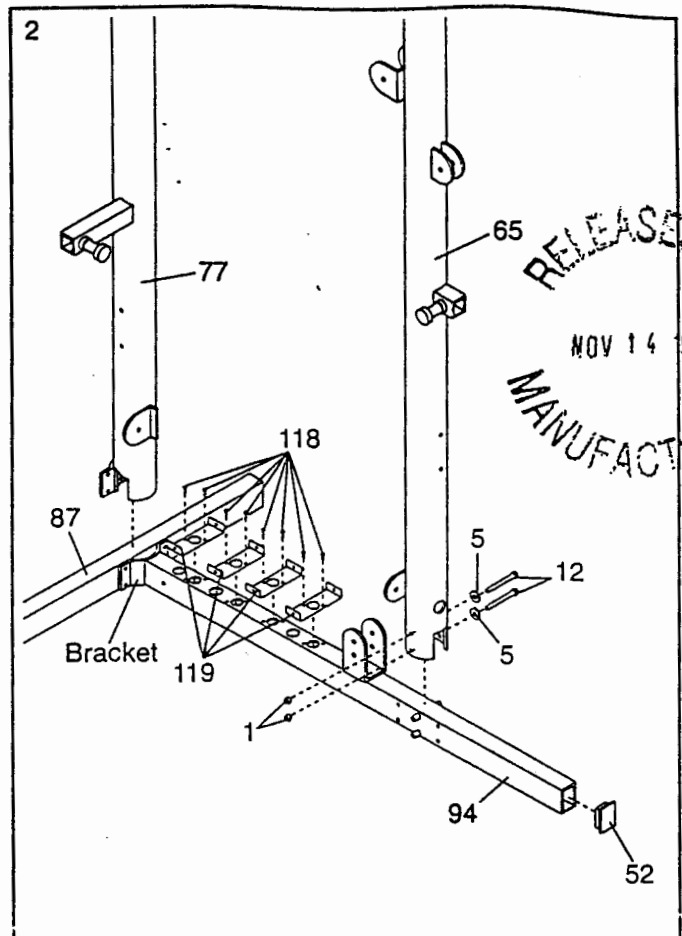


- Align the holes in the bracket on the Base (94) with the holes in the Press Frame (87).

Turn the Front and Rear Uprights (65, 77) and the Top Frame (not shown) right side up. Slide the Rear Upright onto the Press Frame (87) and slide the Front Upright onto the Base (94) as shown. Attach the Front Upright to the Base with two $\frac{3}{8}$ " x $4\frac{3}{4}$ " Bolts (12), two $\frac{3}{8}$ " Washers (5), and two $\frac{3}{8}$ " Nylon Locknuts (1). The Bolts and Washers must be on the side shown. Tighten the Nylon Locknuts.

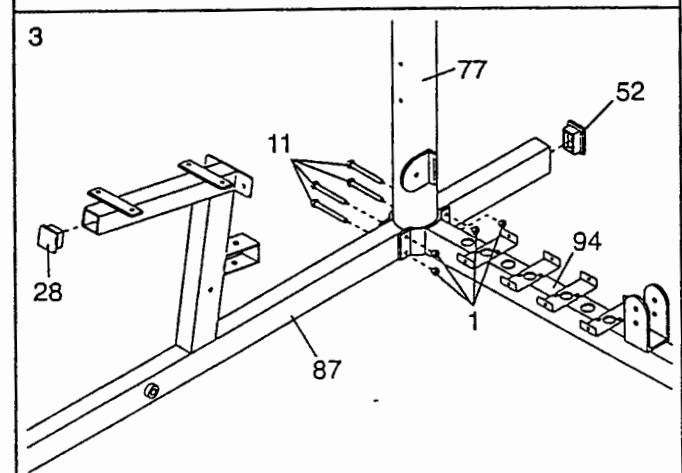
Press a 2" x 3" Inner Cap (52) into the end of the Base (94).

Attach four Lower Shield Brackets (119) to the Base (94) with eight $\frac{1}{2}$ " Self-tapping Screws (118). The Brackets must be oriented as shown. Note: The Self-tapping Screws will require some effort to thread into place.



- Attach the Rear Upright (77) and the Base (94) to the Press Frame (87) with four $\frac{3}{8}$ " x 3" Bolts (11) and four $\frac{3}{8}$ " Nylon Locknuts (1) as shown. Do not tighten the Nylon Locknuts yet.

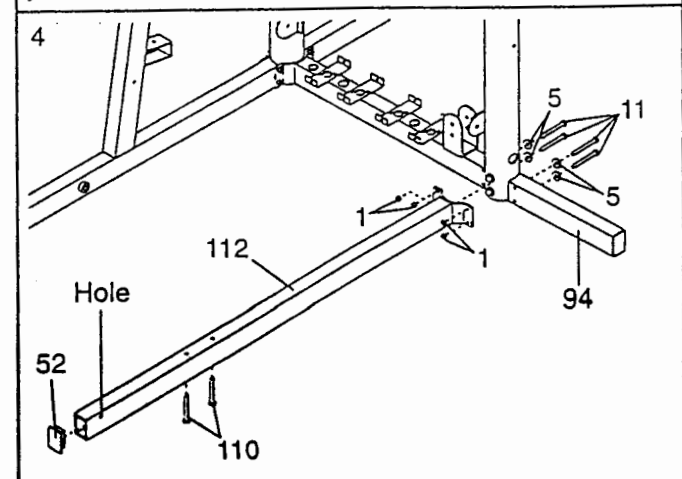
Press a 2" Square Inner Cap (28) into the Press Frame (87). Press a 2" x 3" Inner Cap (52) into the end of the Press Frame.



- Press a 2" x 3" Inner Cap (52) into the end of the Stabilizer (112). Be sure that the Stabilizer is turned so the indicated hole is up.

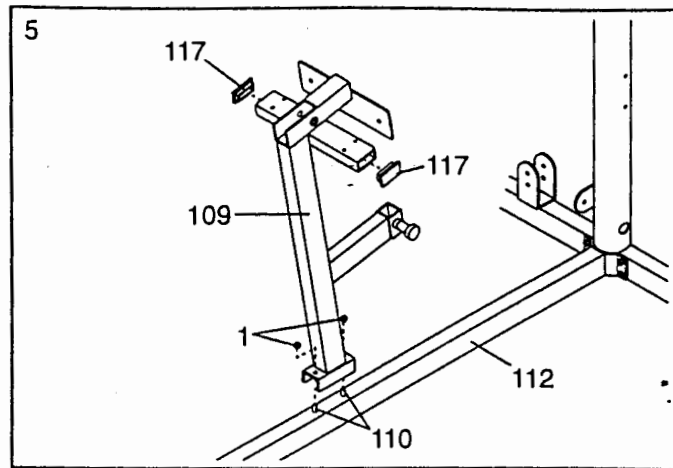
Insert two $\frac{3}{8}$ " x $3\frac{3}{4}$ " Carriage Bolts (110) up through the holes in the Stabilizer (112).

Attach the Stabilizer (112) to the Base (94) with four $\frac{3}{8}$ " x 3" Bolts (11), four $\frac{3}{8}$ " Washers (5), and four $\frac{3}{8}$ " Nylon Locknuts (1). Do not tighten the Nylon Locknuts yet.



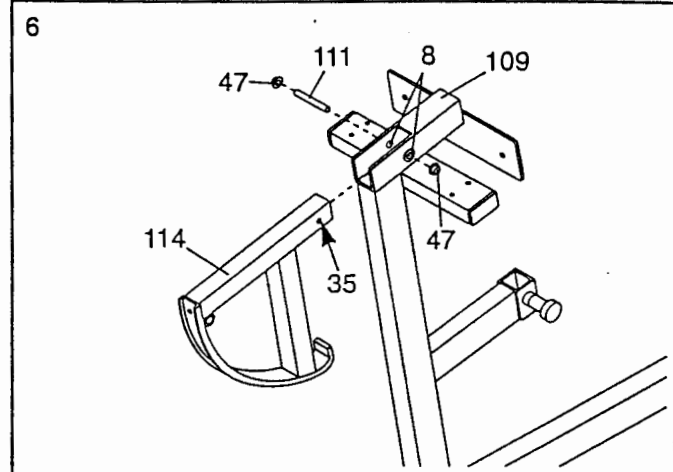
- Attach the Curl Frame (109) to the two 3/8" x 3 3/4" Carriage Bolts (110) in the Stabilizer (112) with two 3/8" Nylon Locknuts (1). The Curl Frame must be oriented as shown.

Press a 1" x 3" Inner Cap (117) into each side of the Curl Frame (109).



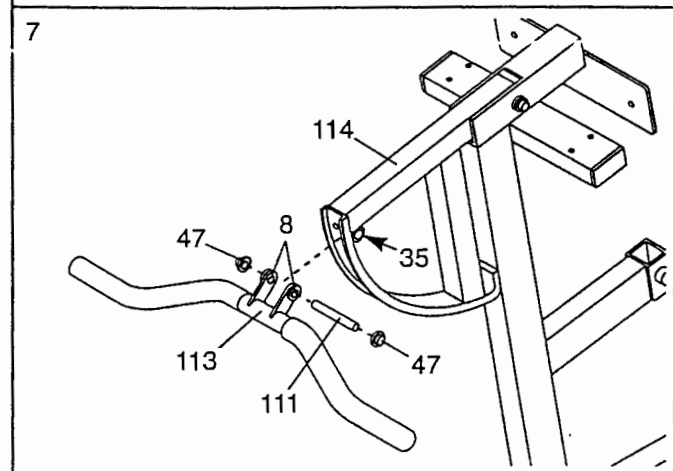
- Be sure that the pre-attached 1/2" x 1.7" Bushing (35) is in the indicated hole in the Curl Lever (114). Be sure that there are two pre-attached 1/2" x 1/4" Bushings (8) in the Curl Frame (109).

Tap a 1/2" Hat Cap (47) onto one end of a 1/2" x 3" Axle (111). Lubricate the Axle. Align the holes in the Curl Lever (114) with the holes in the Curl Frame (109). Be sure that the Curl Lever is oriented as shown. Tap the Axle through the holes in the Curl Frame and the Curl Lever. Tap another 1/2" Hat Cap (47) onto the other end of the Axle.



- Be sure that the pre-attached 1/2" x 1.7" Bushing (35) is in the indicated hole in the Curl Lever (114). Be sure that there are two pre-attached 1/2" x 1/4" Bushings (8) in the Curl Bar (113).

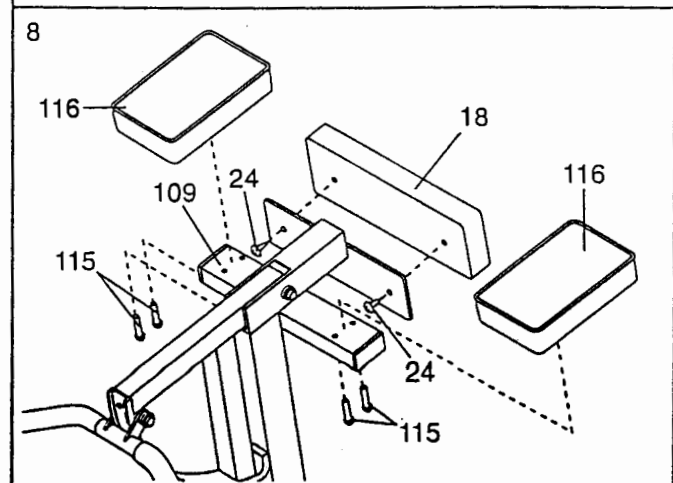
Tap a 1/2" Hat Cap (47) onto one end of a 1/2" x 3" Axle (111). Lubricate the Axle. Align the holes in the Curl Bar (113) with the holes in the Curl Lever (114). Tap the Axle through the holes in the Curl Bar and the Curl Lever. Tap another 1/2" Hat Cap (47) onto the other end of the Axle.



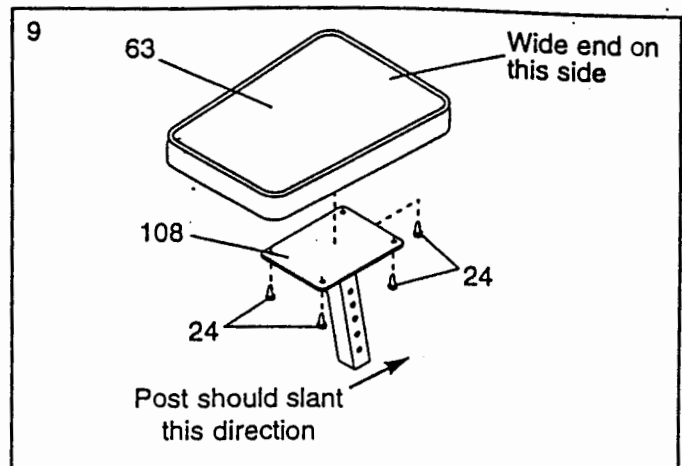
- Locate and open the parts bag labeled "IMAGE 5.2 Steps 8-16."

Attach the Chest Pad (18) to the Curl Frame (109) with two 1/4" x 3/4" Screws (24).

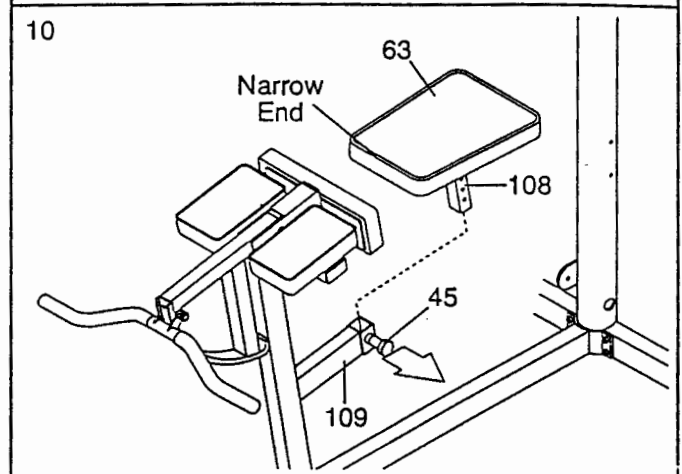
Attach an Arm Pad (116) to each side of the Curl Frame (109) with two 1/4" x 1 1/2" Screws (115).



9. Attach a Seat (63) to the Seat Bracket (108) with four 1/4" x 3/4" Screws (24). **Note: The post on the Seat Bracket is slanted. The Seat should be turned so that the wide end of the Seat is on the same side that the post slants toward.**



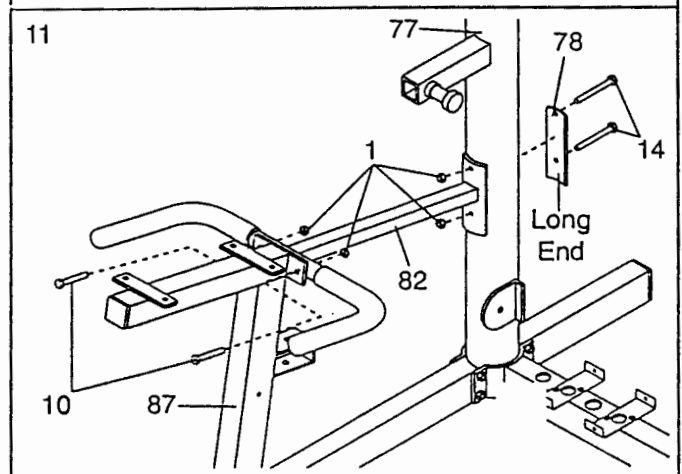
10. Turn the indicated Lock Knob (45) counter-clockwise until it turns freely. Pull the Lock Knob and hold it. Insert the tube on the Seat Bracket (108) into the tube on the Curl Frame (109). The narrow end of the Seat (63) should face the Curl Frame. Move the Seat Bracket so that the Seat is in the desired position. Release the Lock Knob. Move the Seat Bracket up and down slightly until the Lock Knob locks into place. Turn the Lock Knob clockwise until it is firmly tightened.



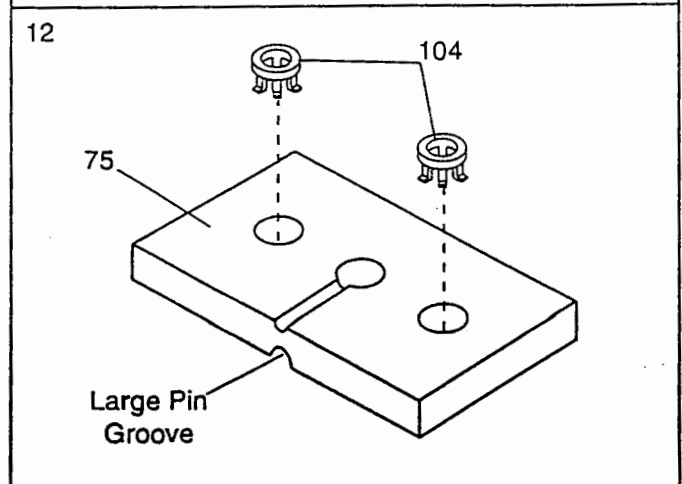
11. Attach the Press Frame Handle (82) to the Rear Upright (77) with two 3/8" x 5" Bolts (14), a Support Bracket (78), and two 3/8" Nylon Locknuts (1). **Note: This is a tight fit. The long end of the Support Bracket must be facing down as shown. Do not tighten the Nylon Locknuts yet.**

Attach the other end of the Press Frame Handle (82) to the Press Frame (87) with two 3/8" x 1 3/4" Bolts (10) and two 3/8" Nylon Locknuts (1).

Tighten the eighteen 3/8" Nylon Locknuts (1) used in steps 1-4 and in step 11.



12. Press two Weight Inserts (104) into the top of each of the thirty-eight Weights (75). Be sure that each Weight is oriented so that the large pin groove is on the bottom.



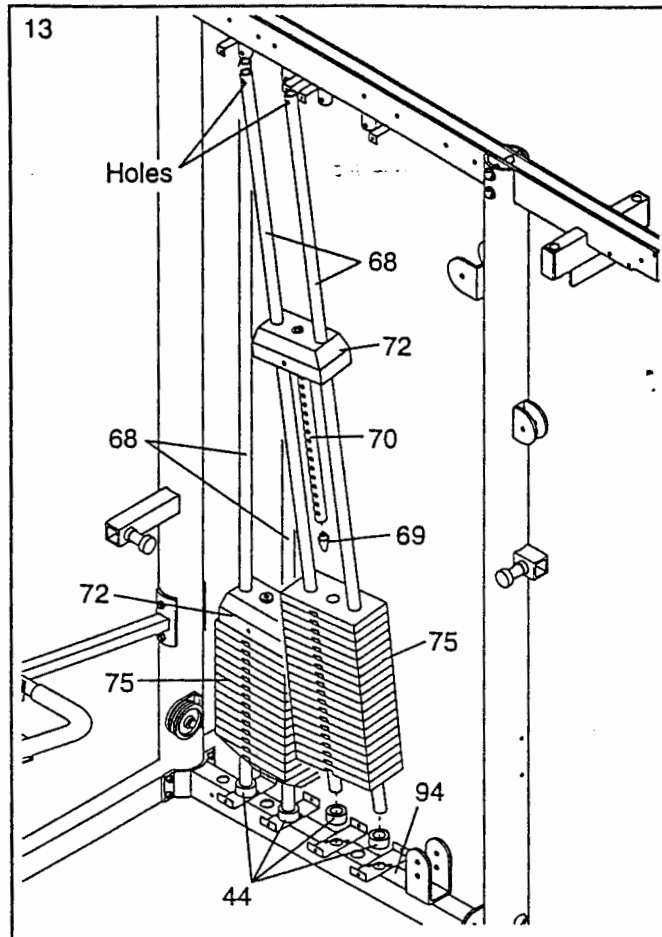
RELEASED TO
NOV 14 1996
MANUFACTURING

13. Insert the four Weight Guides (68) into the indicated holes in the Base (94). Be sure that the Weight Guides are oriented so the indicated holes are at the top. Slide a Weight Bumper (44) onto each Weight Guide.

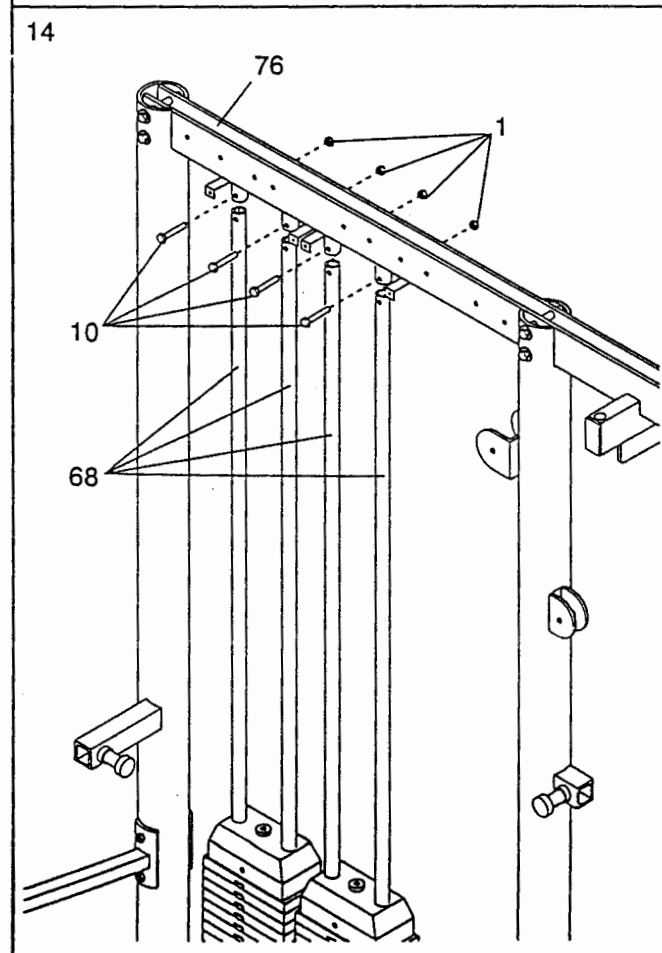
Slide nineteen Weights (75) onto one set of Weight Guides (68). Slide the remaining nineteen Weights onto the other set of Weight Guides. Be sure that the Weights are oriented so that the large pin grooves are on the bottom, and are on the side shown.

Press a Weight Tube Bumper (69) into the end of each Weight Tube (70).

Slide a Top Weight Cover (72), and a Top Weight (inside the Top Weight Cover) onto one set of Weight Guides (68). Slide the other Top Weight Cover and Top Weight onto the other set of Weight Guides.



14. Attach the Weight Guides (68) to the Top Frame (76) with four 3/8" x 1 3/4" Bolts (10) and four 3/8" Nylon Locknuts (1).



15. Press a 1 3/4" Square Inner Cap (58) into each end of the Left Butterfly Arm (59) and into each end of the Right Butterfly Arm (60).

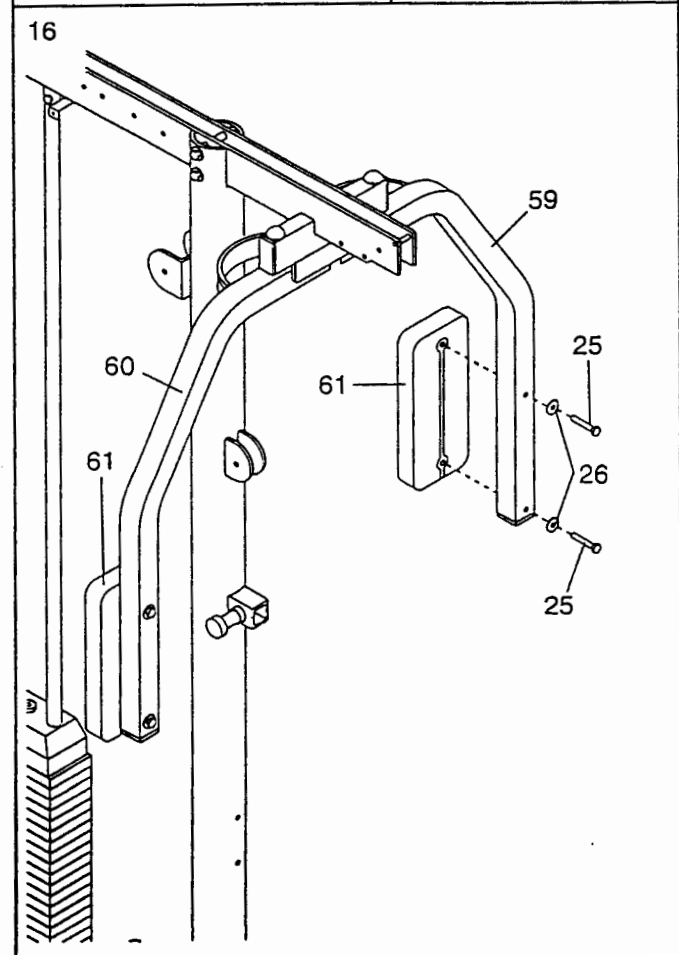
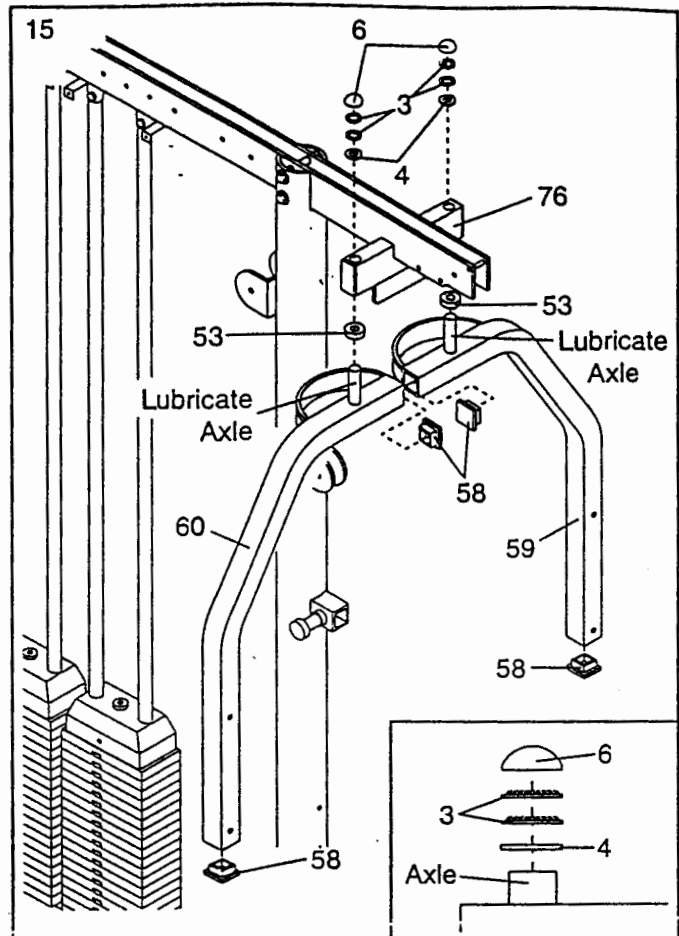
IMPORTANT NOTE: Before assembling the 3/4" Dome Caps (6) and 3/4" Retainers (3), used in this assembly step, be sure that you thoroughly understand the assembly step. The Dome Caps and Retainers can be assembled only once. If they must be removed, you will need to order new Dome Caps and/or Retainers.

Slide a Weld Cover (53) onto the axle of the Left Butterfly Arm (59). Be sure that the Weld Cover is turned so the open side is facing the weld on the Left Butterfly Arm. Lubricate the axle. Slide the axle into the indicated hole in the Top Frame (76). Slide a 1 1/2" x 3/4" Washer (4) onto the axle. Press two 3/4" Retainers (3) onto the axle, one at a time. The teeth on the Retainers must be pointed away from the Washer, as shown in the inset drawing. Tap a 3/4" Dome Cap (6) onto the axle.

Attach the Right Butterfly Arm (60) in the same manner.

16. Attach a Butterfly Arm Pad (61) to the Left Butterfly Arm (59) with two 1/4" x 2 1/4" Screws (25) and two 1/4" Washers (26).

Attach a Butterfly Arm Pad (61) to the Right Butterfly Arm (60) in the same manner.



RELEASED TO
NOV 14 1996
MANUFACTURING

17. Locate and open the parts bag labeled "IMAGE 5.2 Steps 17-27."

IMPORTANT NOTE: Before assembling the 1/2" Dome Caps (7) and 1/2" Retainers (2), used in assembly steps 17 and 18, be sure that you thoroughly understand the assembly step. The Dome Caps and Retainers can be assembled only once. If they must be removed, you will need to order new Dome Caps and/or Retainers.

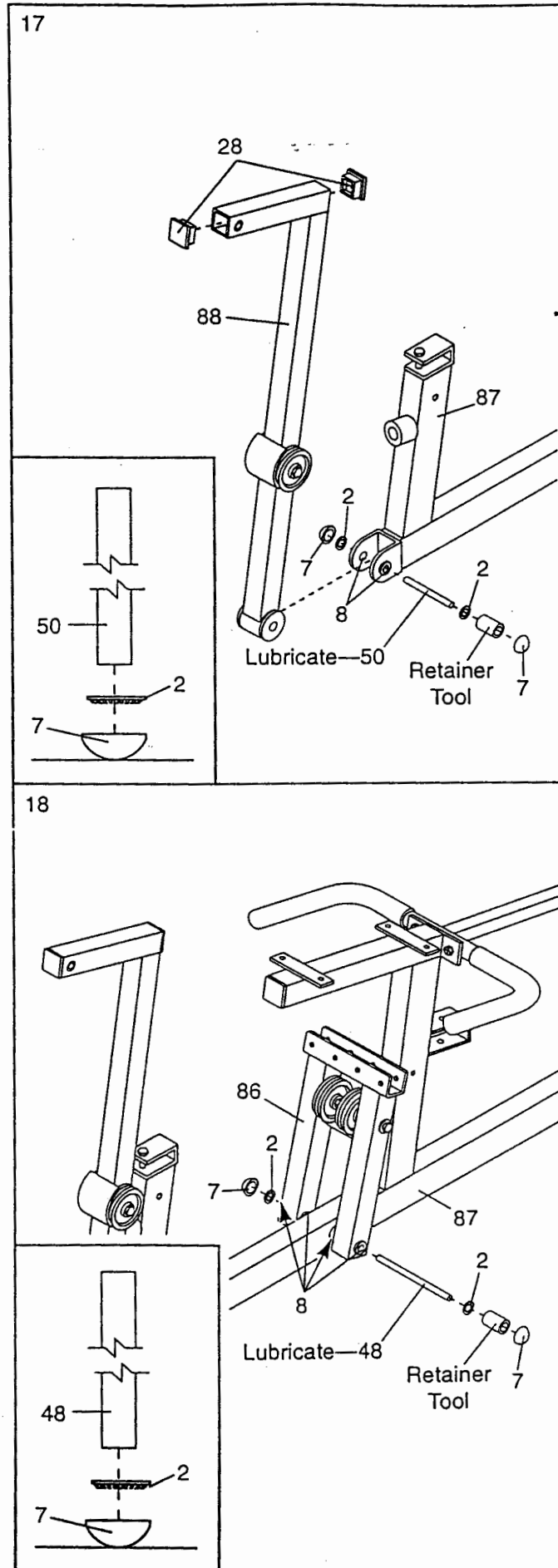
Press two 2" Square Inner Caps (28) into the Leg Press Arm (88). Be sure that there are two pre-attached 1/2" x 1/4" Bushings (8) in the indicated holes in the Press Frame (87).

See the inset drawing. Set a 1/2" Dome Cap (7) on the floor with the open side facing up. Center a 1/2" Retainer (2) over hole in the Dome Cap. The teeth on the Retainer must be pointed toward the Dome Cap, as shown in the inset drawing. Tap the 1/2" x 4 5/8" Axle (50) into the Dome Cap.

Lubricate the 1/2" x 4 5/8" Axle (50). Align the hole in the lower end of the Leg Press Arm with the holes in the Press Frame. Tap the Axle through the holes in the Press Frame (87) and Leg Press Arm (88). Using the included Retainer Tool, tap a 1/2" Retainer (2) onto the Axle. The teeth on the Retainer must be pointed toward the Retainer Tool. Tap a 1/2" Dome Cap (7) onto the Axle.

18. See the inset drawing. Set a 1/2" Dome Cap (7) on the floor with the open side facing up. Center a 1/2" Retainer (2) over hole in the Dome Cap. The teeth on the Retainer must be pointed toward the Dome Cap, as shown in the inset drawing. Tap the 1/2" x 8 7/8" Axle (48) into the Dome Cap.

Lubricate the 1/2" x 8 7/8" Axle (48). Be sure that there are four pre-attached 1/2" x 1/4" Bushings (8) in the Moment Arm (86). Align the holes in the lower end of the Moment Arm with the indicated hole in the Press Frame (87). Tap the Axle through the holes in the Press Frame (87) and Leg Press Arm (88). Using the included Retainer Tool, tap a 1/2" Retainer (2) onto the Axle. The teeth on the Retainer must be pointed toward the Retainer Tool. Tap a 1/2" Dome Cap (7) onto the Axle.



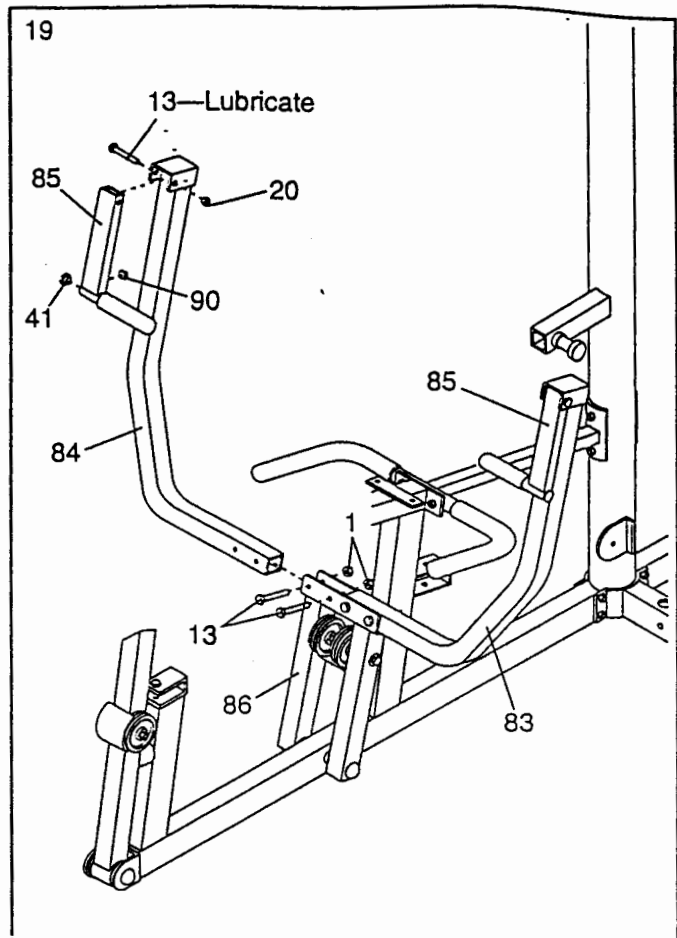
19. Attach the Right Arm (84) to the Moment Arm (86) with two 3/8" x 2 1/2" Bolts (13) and two 3/8" Nylon Locknuts (1).

Attach the Left Arm (83) to the Moment Arm (86) in the same manner.

Lubricate a 3/8" x 2 1/2" Bolt (13). Attach a Handle (85) to the Right Arm (84) with the 3/8" x 2 1/2" Bolt and a 3/8" Nylon Jam Nut (20). Press a 1" Round Inner Cap (41) into the Handle. Attach a Square Bumper (90) to the back of the Handle.

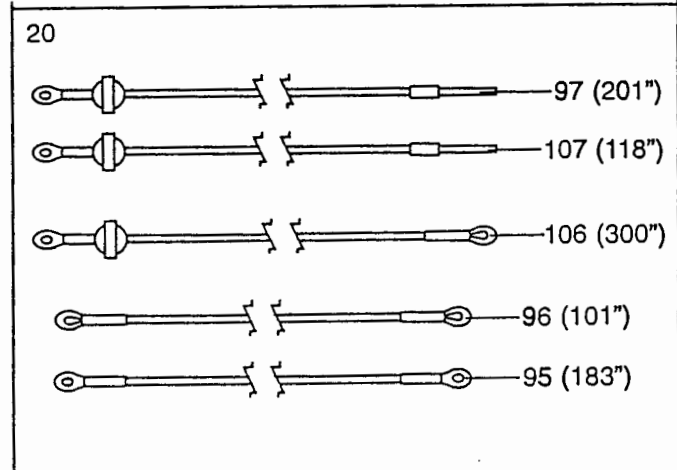
Attach a Handle (85) to the Left Arm (83) in the same manner.

RELEASED TO
NOV 14 1996
MANUFACTURING

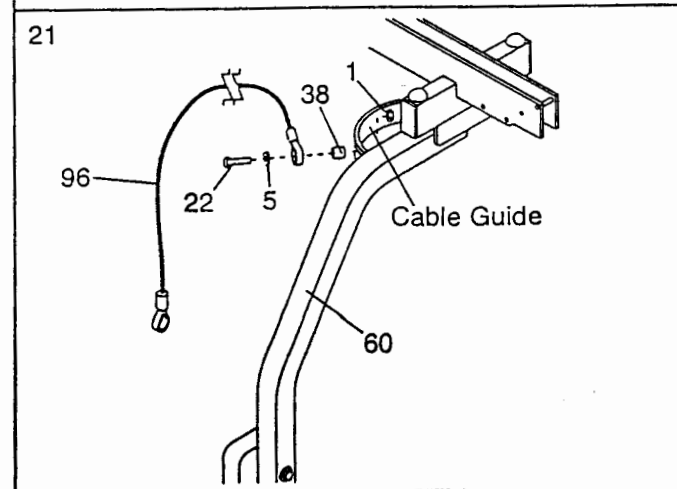


20. Fully unwind the five Cables. Identify the five Cables by comparing the lengths and ends of the Cables. The approximate length of each Cable is listed (in inches) after the key number in the drawing.

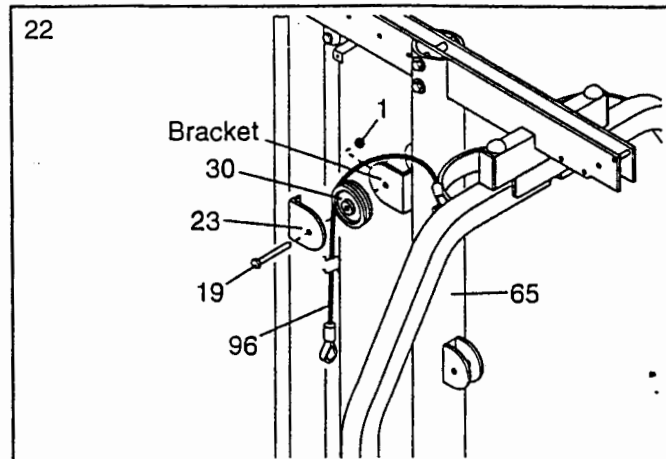
Note: Assembly steps 20-36 and 43-61 show how to assemble the cables. Refer to the CABLE DIAGRAMS on pages 30 and 31 during assembly to make sure that you route the cables correctly.



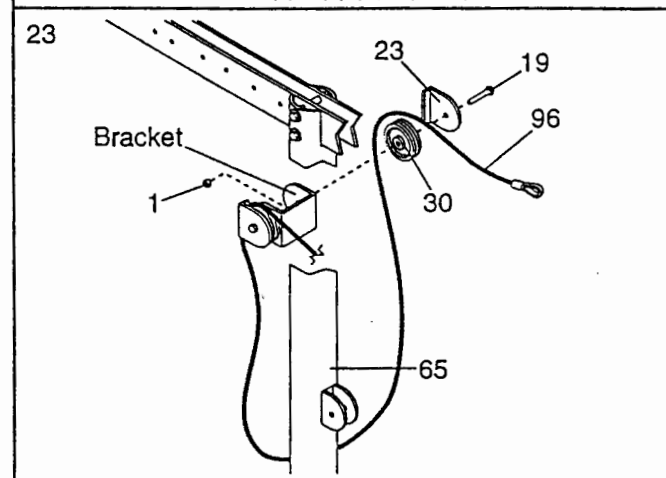
21. Find the Butterfly Cable (96)—this is the shortest Cable. Attach the Butterfly Cable to the Right Butterfly Arm (60) with a 3/8" x 1 1/4" Bolt (22), a 3/8" Washer (5), a 1/2" x 3/8" Bushing (38), and a 3/8" Nylon Locknut (1). Be sure that the Bushing is inside the loop at the end of the Cable. The Cable must be oriented so that it is in line with the cable guide.



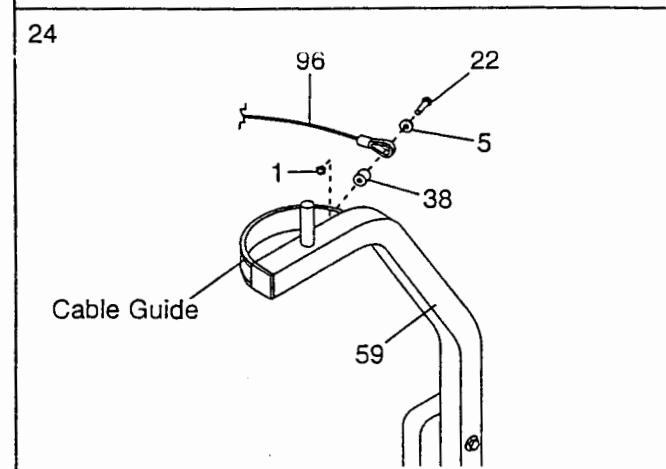
22. Wrap the Butterfly Cable (96) around a 3 1/2" Pulley (30) as shown. Attach the Pulley and a Pulley Cover (23) to the bracket on the Front Upright (65) with a 3/8" x 2" Bolt (19) and a 3/8" Nylon Locknut (1). The Pulley Cover must be oriented as shown and be positioned to hold the Cable in the groove of the Pulley.



23. Wrap the Butterfly Cable (96) around a 3 1/2" Pulley (30) as shown. Attach the Pulley and a Pulley Cover (23) to the other side of the bracket on the Front Upright (65) with a 3/8" x 2" Bolt (19) and a 3/8" Nylon Locknut (1). The Pulley Cover must be oriented as shown and be positioned to hold the Cable in the groove of the Pulley. The slack in the Cable should be between the Pulleys as shown.

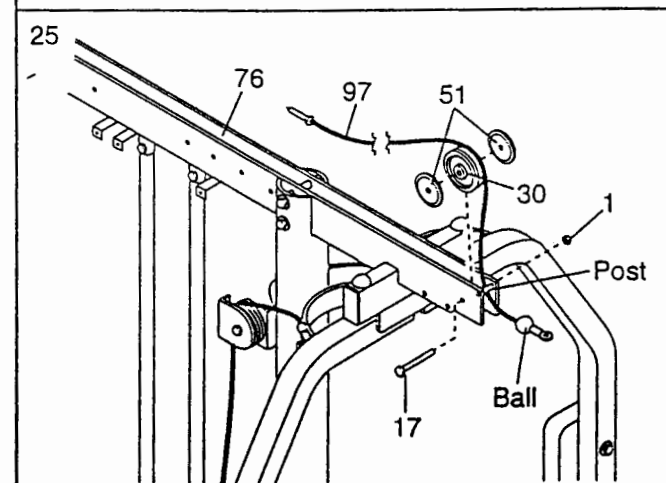


24. Attach the end of the Butterfly Cable (96) to the Left Butterfly Arm (59) with a 3/8" x 1 1/4" Bolt (22), a 3/8" Washer (5), a 1/2" x 3/8" Bushing (38), and a 3/8" Nylon Locknut (1). Be sure that the Bushing is inside the loop at the end of the Cable. The Cable must be oriented so that it is in line with the cable guide.



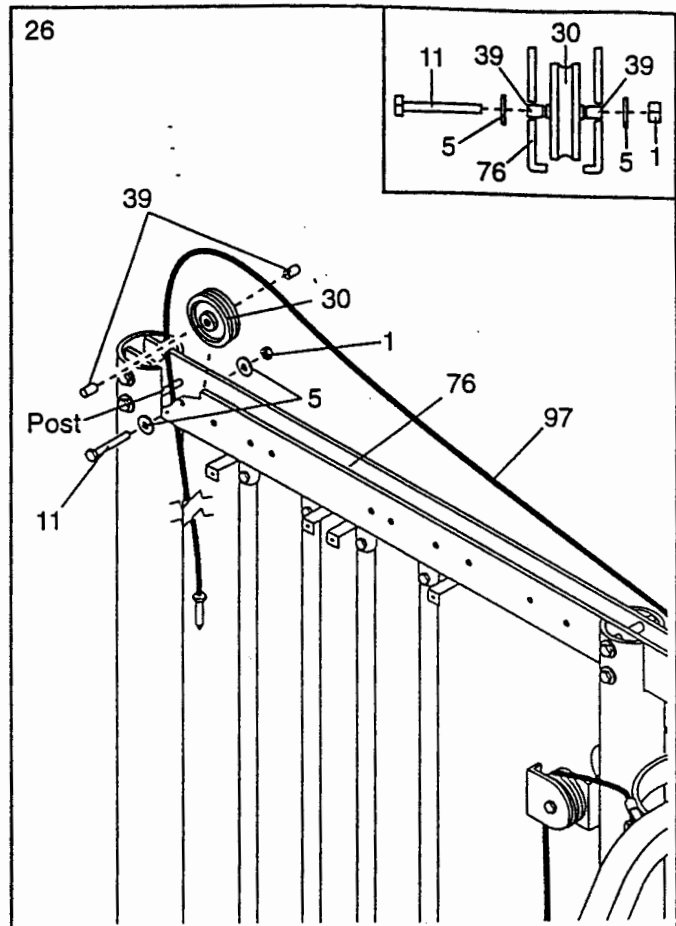
25. Find the Lat Cable (97)—this is the longer of the two Cables with a threaded end. Feed the Lat Cable under the indicated post on the Top Frame (76). The end of the Cable with the ball must be on the indicated side of the post.

Wrap the Lat Cable (97) around a 3 1/2" Pulley (30). Attach the Pulley and two Wheel Spacers (51) inside the Top Frame (76) with a 3/8" x 2 3/4" Bolt (17) and a 3/8" Nylon Locknut (1).



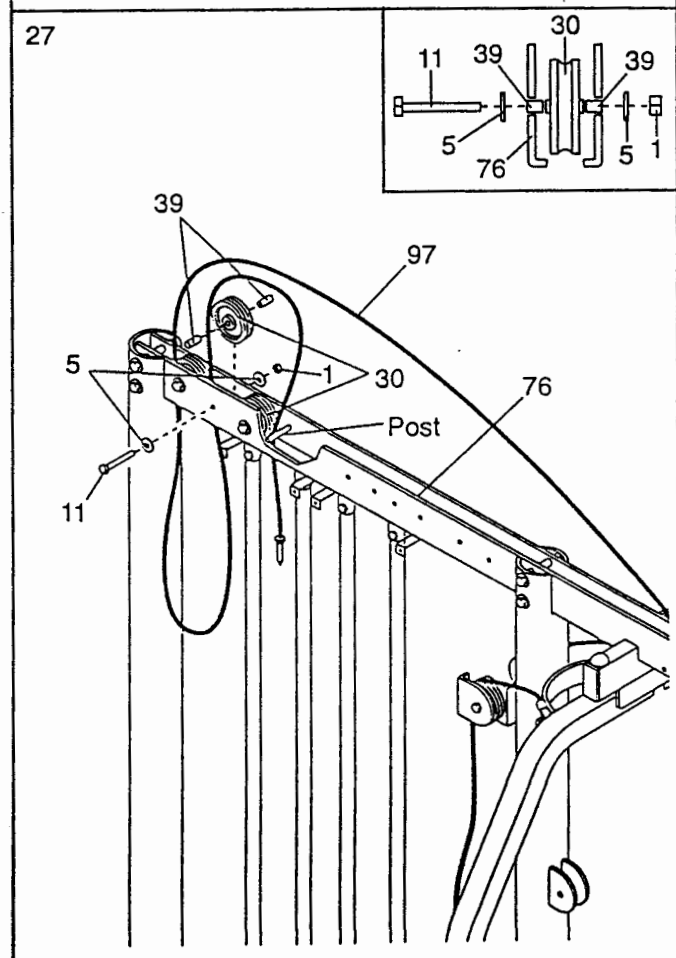
26. Wrap the Lat Cable (97) around a 3 1/2" Pulley (30). Attach the Pulley and two 5/8" x 9/16" Bushings (39) inside the Top Frame (76) with a 3/8" x 3" Bolt (11), two 3/8" Washers (5), and a 3/8" Nylon Locknut (1). Be sure that the Pulley and the Bushings are oriented as shown in the inset drawing. The Cable and the Pulley should be positioned so that the post inside the Top Frame holds the Cable in the groove of the Pulley.

RELEASED TO
NOV 14 1996
MANUFACTURING



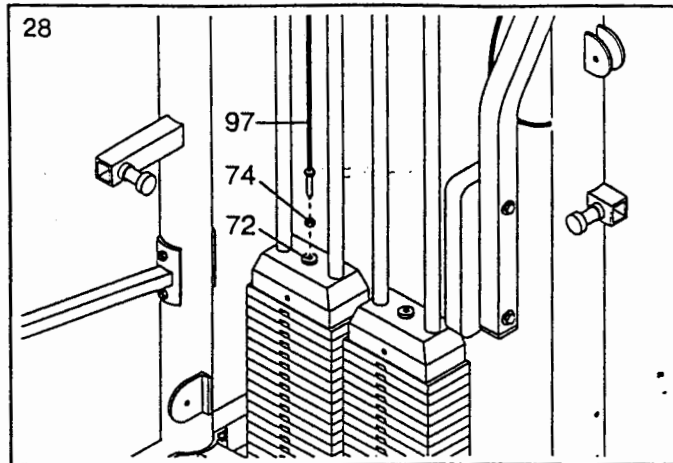
27. Feed the Lat Cable (97) up through the Top Frame (76). Wrap the Cable around a 3 1/2" Pulley (30). Attach the Pulley and two 5/8" x 9/16" Bushings (39) inside the Top Frame (76) with a 3/8" x 3" Bolt (11), two 3/8" Washers (5), and a 3/8" Nylon Locknut (1). Be sure that the Pulley and the Bushings are oriented as shown in the inset drawing.

Wrap the Lat Cable (97) around another 3 1/2" Pulley (30). Feed the Cable back down through the Top Frame (76). Attach the Pulley and two 5/8" x 9/16" Bushings (39) inside the Top Frame with a 3/8" x 3" Bolt (11), two 3/8" Washers (5), and a 3/8" Nylon Locknut (1). The Cable and the Pulley should be positioned so that the post inside the Top Frame holds the Cable in the groove of the Pulley.

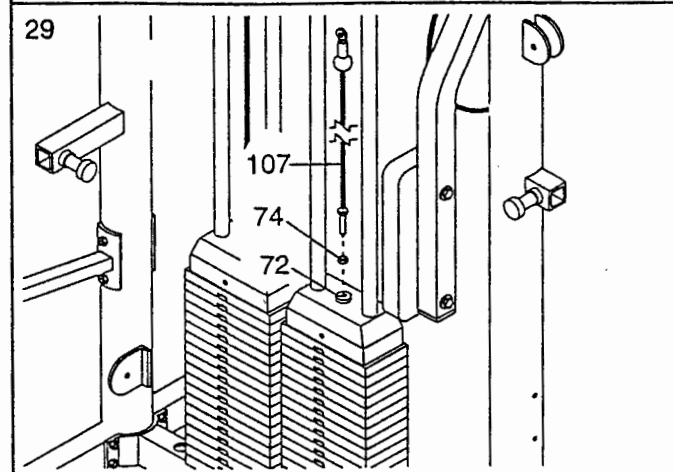


28. Locate and open the parts bag labeled "IMAGE 5.2 Steps 28-48."

Thread a 1/2" Nut (74) about one quarter of the way onto the threaded end of the Lat Cable (97). Thread the end of the Cable into the indicated Top Weight Cover (72), until the Nut touches the Top Weight Cover. Finger tighten the Nut against the Top Weight Cover.

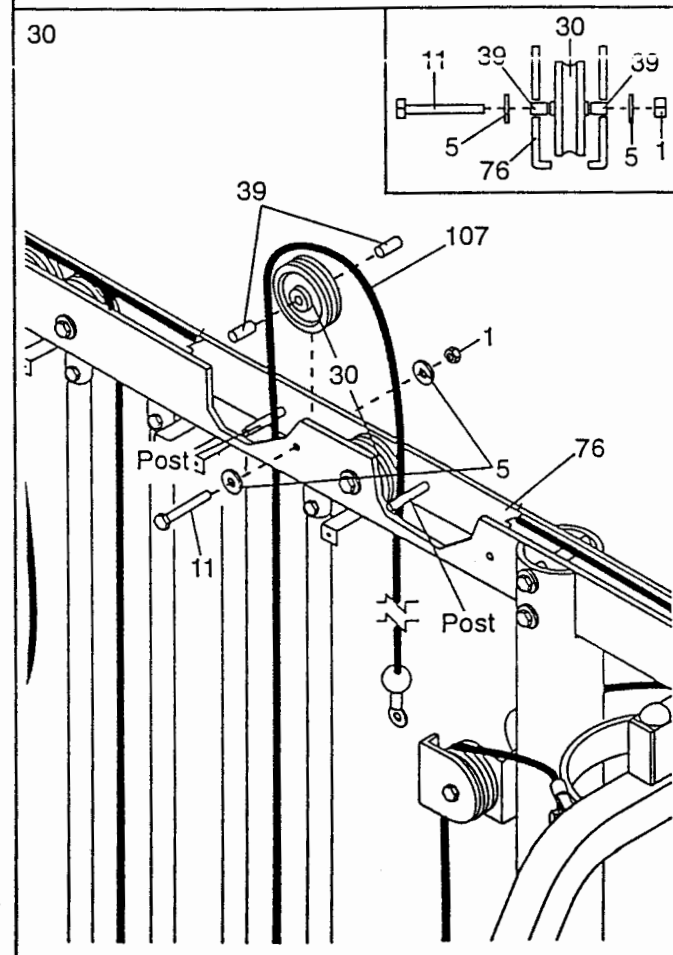


29. Find the Ab Cable (107)—this is the only remaining Cable with a threaded end. Thread a 1/2" Nut (74) about one quarter of the way onto the threaded end of the Cable. Thread the end of the Cable into the other Top Weight Cover (72), until the Nut touches the Top Weight Cover. Finger tighten the Nut against the Top Weight Cover.

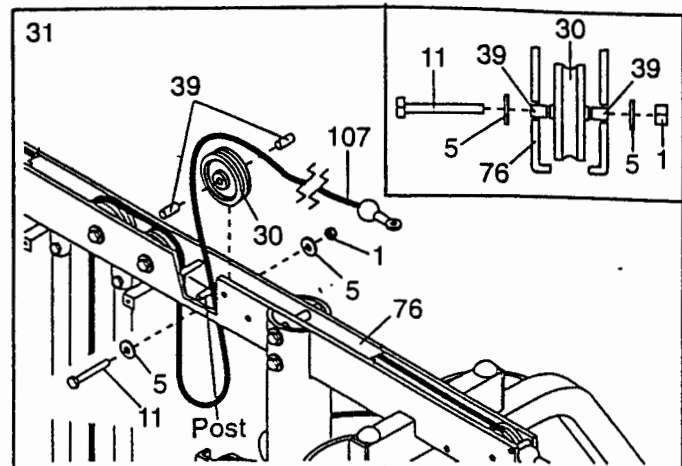


30. Feed the Ab Cable (107) up through the Top Frame (76). Wrap the Cable around a 3 1/2" Pulley (30). Attach the Pulley and two 5/8" x 9/16" Bushings (39) inside the Top Frame (76) with a 3/8" x 3" Bolt (11), two 3/8" Washers (5), and a 3/8" Nylon Locknut (1). Be sure that the Pulley and the Bushings are oriented as shown in the inset drawing. The Cable and the Pulley should be positioned so that the post inside the Top Frame holds the Cable in the groove of the Pulley.

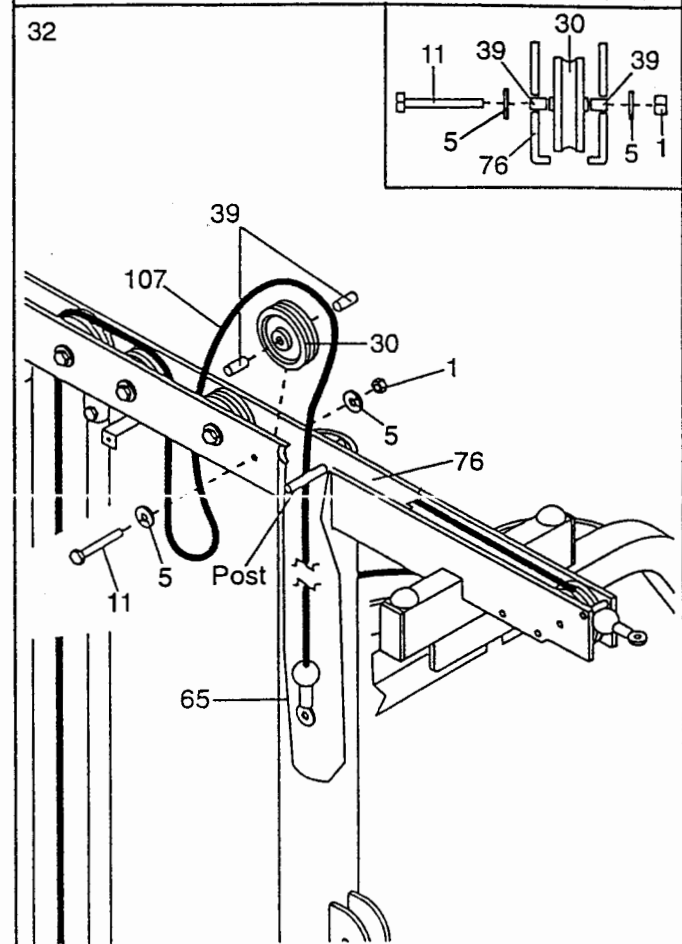
Wrap the Ab Cable (107) around another 3 1/2" Pulley (30). Feed the Cable down through the hole in the Top Frame (76). Attach the Pulley and two 5/8" x 9/16" Bushings (39) inside the Top Frame with a 3/8" x 3" Bolt (11), two 3/8" Washers (5), and a 3/8" Nylon Locknut (1). Be sure that the Pulley and the Bushings are oriented as shown in the inset drawing. The Cable and the Pulley should be positioned so that the post inside the Top Frame holds the Cable in the groove of the Pulley.



31. Feed the Ab Cable (107) up through the Top Frame (76). Wrap the Cable around a 3 1/2" Pulley (30). Attach the Pulley and two 5/8" x 9/16" Bushings (39) inside the Top Frame (76) with a 3/8" x 3" Bolt (11), two 3/8" Washers (5), and a 3/8" Nylon Locknut (1). Be sure that the Pulley and the Bushings are oriented as shown in the inset drawing. The Cable and the Pulley should be positioned so that the post inside the Top Frame holds the Cable in the groove of the Pulley.



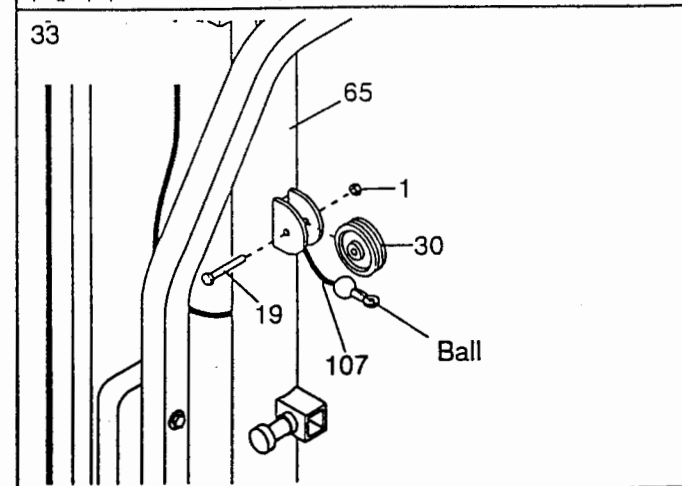
32. Wrap the Ab Cable (107) around a 3 1/2" Pulley (30). Feed the Cable down through the hole in the Top Frame (76) and into the Front Upright (65). Attach the Pulley and two 5/8" x 9/16" Bushings (39) inside the Top Frame with a 3/8" x 3" Bolt (11), two 3/8" Washers (5), and a 3/8" Nylon Locknut (1). Be sure that the Pulley and the Bushings are oriented as shown in the inset drawing. The Cable and the Pulley should be positioned so that the post inside the Top Frame holds the Cable in the groove of the Pulley.



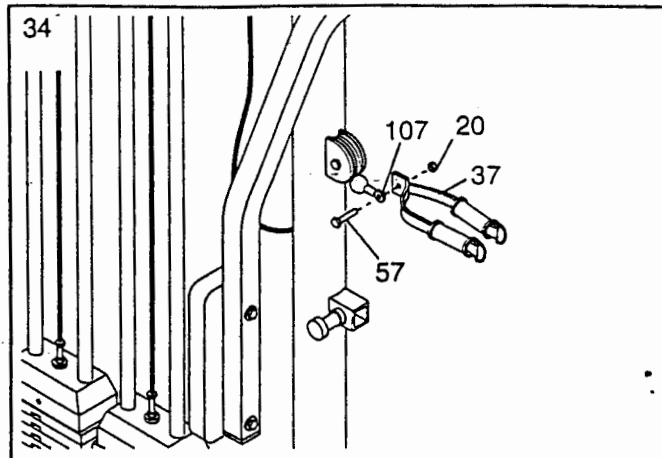
Feed any slack in the Ab Cable (107) into the Front Upright (65).

RELEASED TO
NOV 14 1996
MANUFACTURING

33. Pull the Ab Cable (107) out of the indicated hole in the Front Upright (65) with a screwdriver. Attach a 3 1/2" Pulley (30) to the Front Upright with a 3/8" x 2" Bolt (19) and a 3/8" Nylon Locknut (1). The Cable and the Pulley should be positioned so that the post in the Front Upright holds the Cable in the groove of the Pulley. The ball must be on the indicated side of the Pulley.



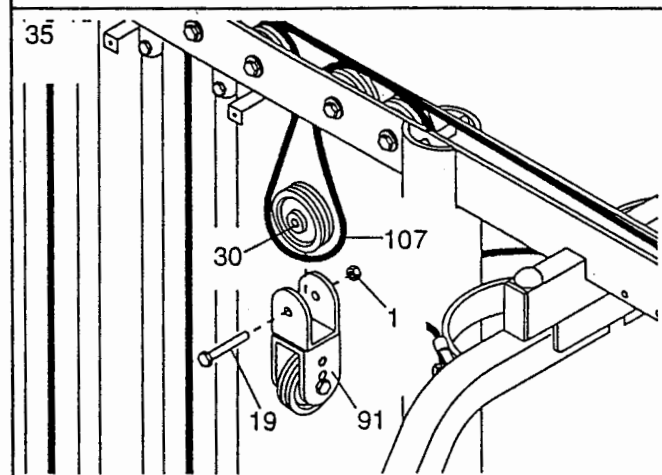
34. Attach the Ab Strap (37) to the Ab Cable (107) with a 3/8" x 3/4" Bolt (57) and a 3/8" Nylon Jam Nut (20).



35. **Note: The Pulley (30) used in this step was pre-attached for shipping purposes.**

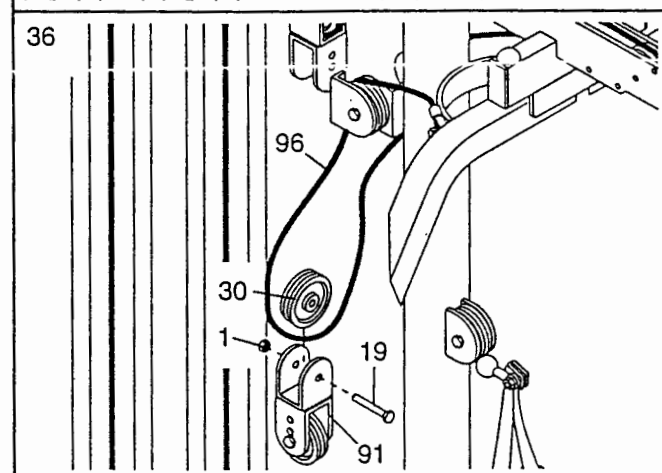
Pull the slack in the Ab Cable (107) down through the Top Frame in the indicated location.

Remove the 3/8" x 2" Bolt (19) and the 3/8" Nylon Locknut (1) attaching the 3 1/2" Pulley (30) to the end of the "U"-Bracket (91) with only one set of holes. Wrap the Ab Cable (107) around the Pulley. Re-attach the Pulley to the "U"-Bracket with the Bolt and the Nylon Locknut.

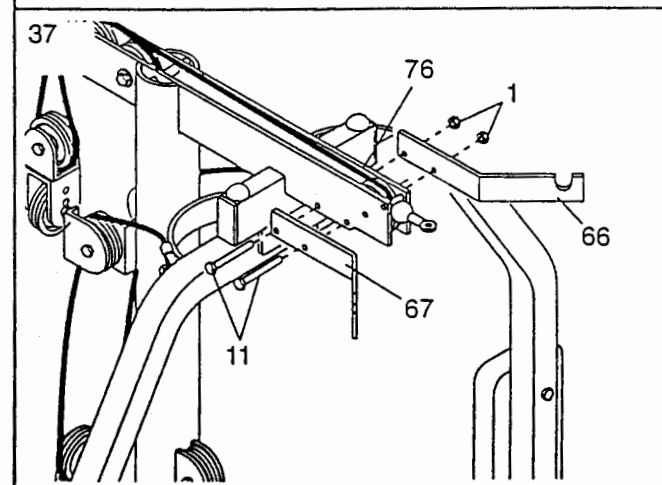


36. **Note: The Pulley (30) used in this step was pre-attached for shipping purposes.**

Remove the 3/8" x 2" Bolt (19) and the 3/8" Nylon Locknut (1) attaching the 3 1/2" Pulley (30) to the end of the "U"-Bracket (91) with only one set of holes. Wrap the Butterfly Cable (96) around the Pulley. Re-attach the Pulley to the "U"-Bracket with the Bolt and the Nylon Locknut.



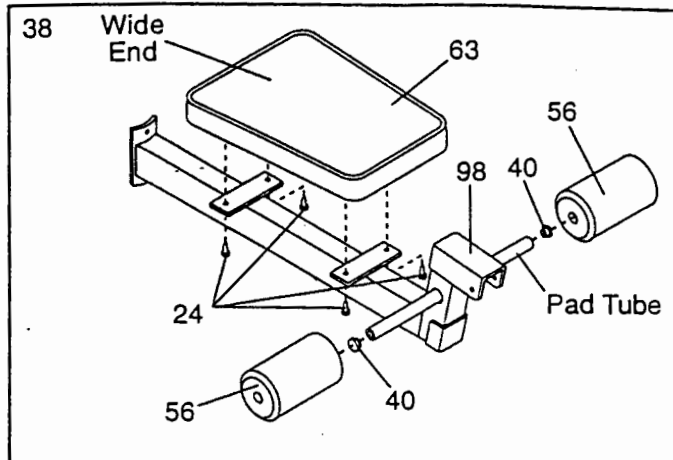
37. Attach the Left and Right Support Plates (66, 67) to the Top Frame (76) with two 3/8" x 3" Bolts (11) and two 3/8" Nylon Locknuts (1).



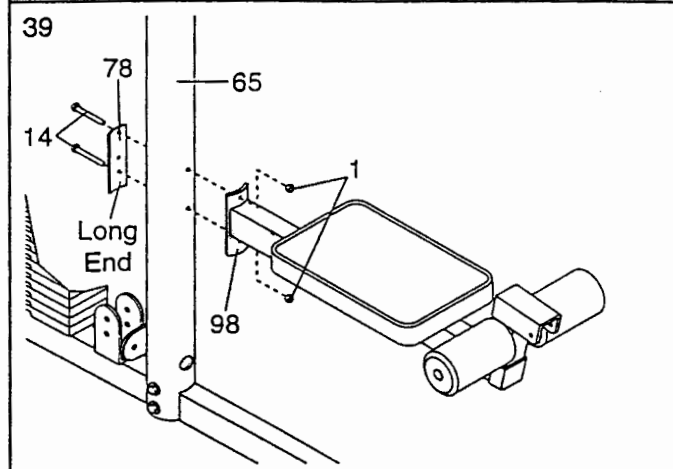
38. Press a 3/4" Round Inner Cap (40) into each end of the pad tube on the Seat Frame (98).

Slide a Foam Pad (56) onto each side of the pad tube on the Seat Frame (98).

Attach the Seat (63) to the Seat Frame (98) with four 1/4" x 3/4" Screws (24). The wide end of the Seat must be on the side shown.

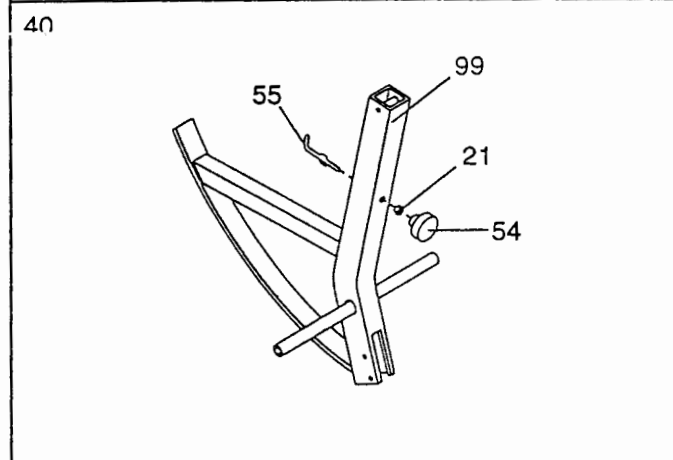


39. Attach the Seat Frame (98) to the Front Upright (65) with two 3/8" x 5" Bolts (14), a Support Bracket (78), and two 3/8" Nylon Locknuts (1). **Note: The long end of the Support Bracket must be facing down as shown.**



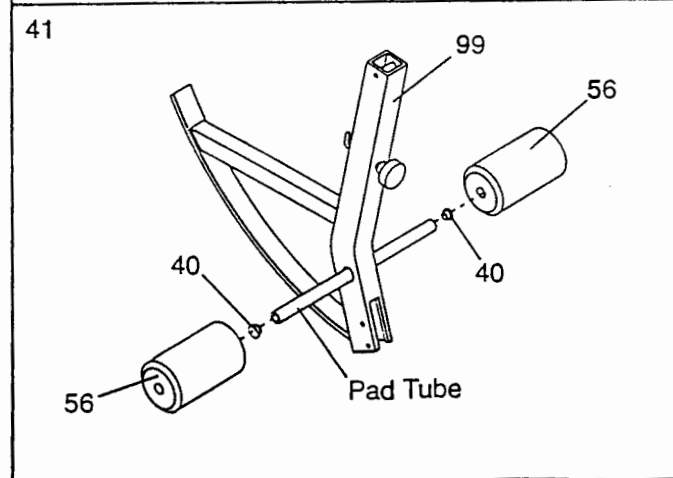
40. Attach the Locking Pin (55) to the Leg Lever (99) with a 3/8" Nut (21). The Locking Pin must be inserted from the indicated side of the Leg Lever. Do not completely tighten the Nut. The Locking Pin must be able to rotate.

Thread the 3/8" Knob (54) onto the Locking Pin (55). Use a wrench to hold the 3/8" Nut (21) secure. Tighten the Knob against the Nut.



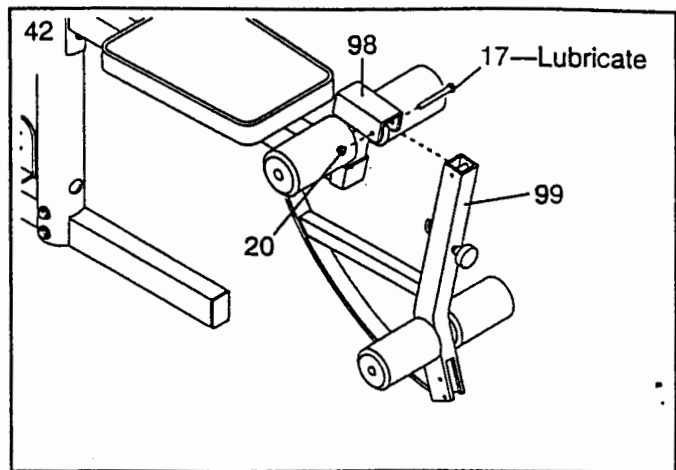
41. Press a 3/4" Round Inner Cap (40) into each end of the pad tube on the Leg Lever (99).

Slide a Foam Pad (56) onto each side of the pad tube on the Leg Lever (99).



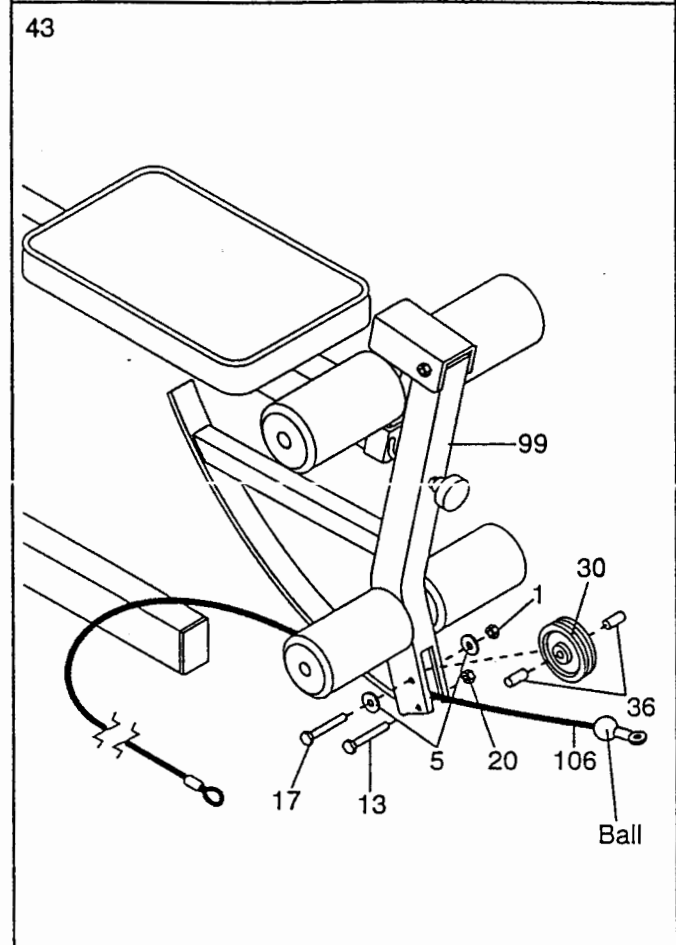
RELEASED TO
NOV 14 1996
MANUFACTURING

42. Lubricate a 3/8" x 2 3/4" Bolt (17). Attach the Leg Lever (99) to the Seat Frame (98) with the 3/8" x 2 3/4" Bolt and a 3/8" Nylon Jam Nut (20). **Do not overtighten the Nylon Jam Nut; the Leg Lever must be able to move freely.**



43. Attach a 3 1/2" Pulley (30) to the indicated hole in the Leg Lever (99) with a 3/8" x 2 3/4" Bolt (17), two 3/8" Washers (5), two 5/8" x 1/2" Bushings (36), and a 3/8" Nylon Locknut (1).

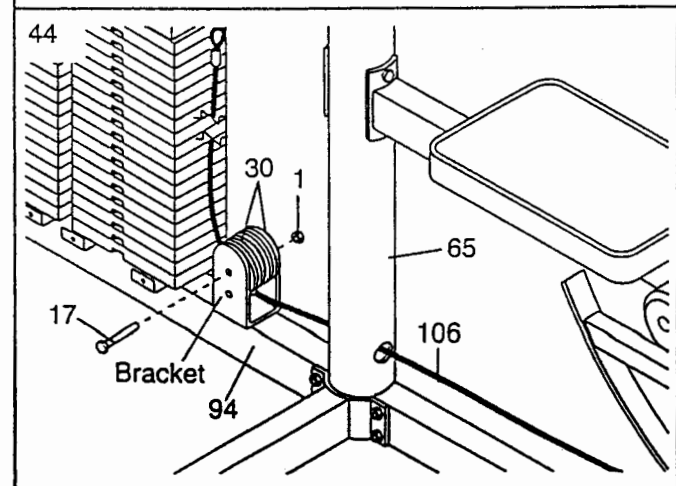
Find the Curl Cable (106)—this is the longest of the remaining Cables. Route the Curl Cable under the 3 1/2" Pulley (30). Attach a 3/8" x 2 1/2" Bolt (13) to the lower hole in the Leg Lever (99) with a 3/8" Nylon Jam Nut (20). **Do not overtighten the Nylon Jam Nut.** The Bolt should hold the Cable securely in the groove of the Pulley. **The ball on the Cable must be on the indicated side of the Bolt.**



44. Attach two 3 1/2" Pulleys (30) to the bracket on the Base (94) with a 3/8" x 2 3/4" Bolt (17) and a 3/8" Nylon Locknut (1).

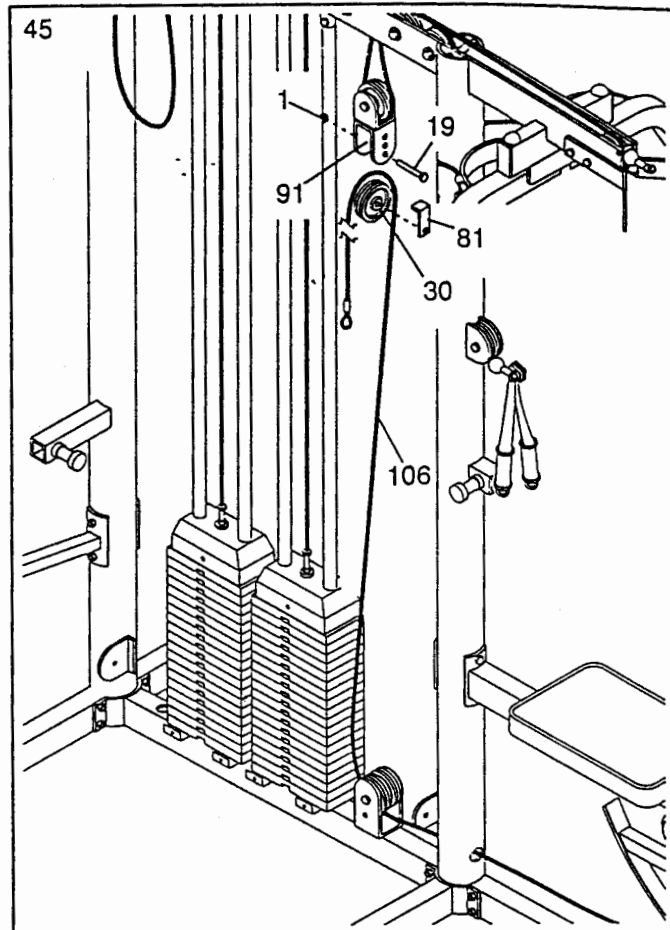
Route the Curl Cable (106) through the hole in the Front Upright (65).

Route the Curl Cable (106) under the two 3 1/2" Pulleys (30) attached to the indicated bracket on the Base (94).



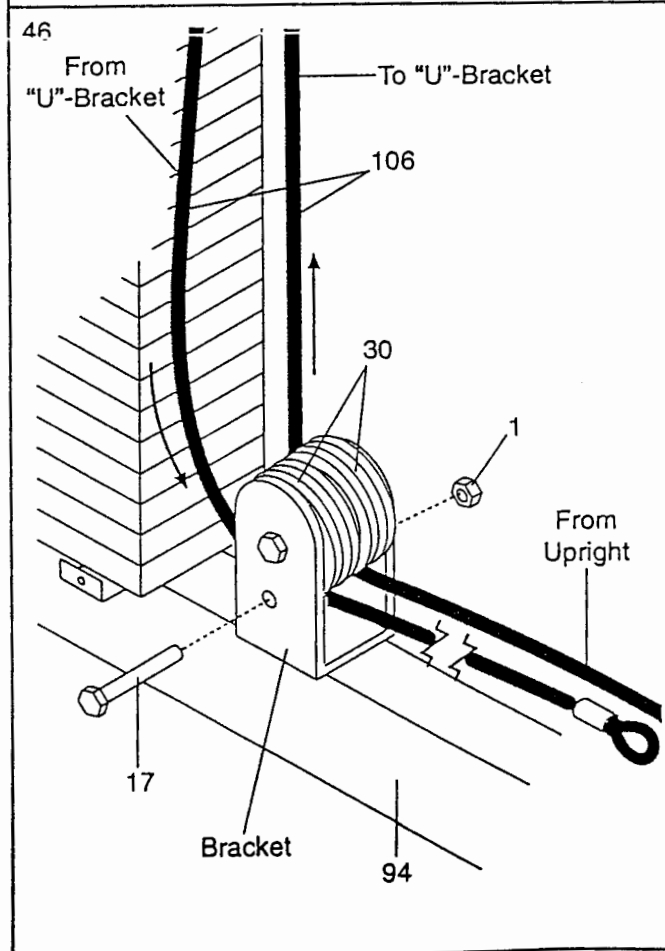
45. Note: The Pulley (30) used in this step was pre-attached for shipping purposes.

Remove the 3/8" x 2" Bolt (19) and the 3/8" Nylon Locknut (1) attaching the lower 3 1/2" Pulley (30) and the "L"-Bracket (81) to the indicated "U"-Bracket (91). Wrap the Curl Cable (106) around the Pulley. Re-attach the Pulley and the "L"-Bracket to the lowest set of holes in the "U"-Bracket with the Bolt and the Nylon Locknut. It is very important that the Cable be routed around the Pulley from the direction shown.



46. Route the Curl Cable (106) back down and through the bracket on the Base (94). Be sure that the Cable is routed around both of the 3 1/2" Pulleys (30) as shown.

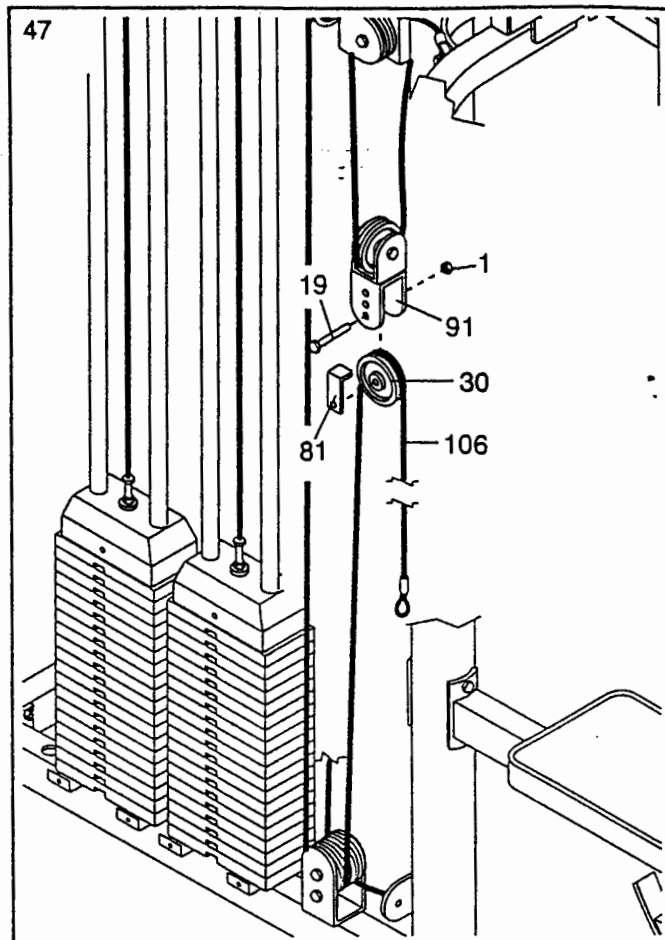
Attach a 3/8" x 2 3/4" Bolt (17) to the bracket on the Base (94) with a Nylon Locknut (1). The Bolt should hold the Cable securely in the groove of each Pulley.



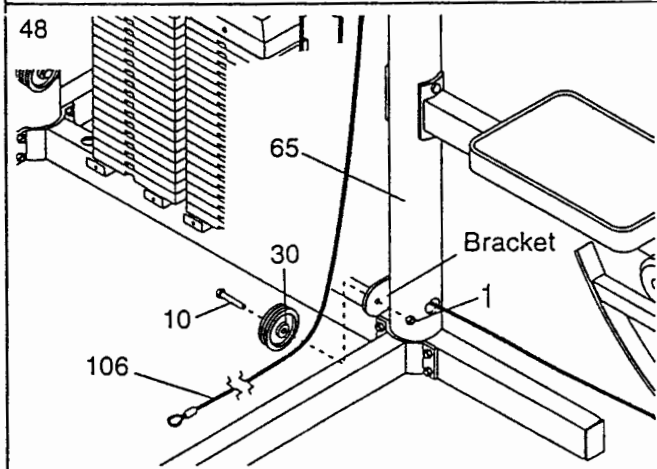
RELEASED TO
NOV 14 1996
MANUFACTURING

47. **Note: The Pulley (30) used in this step was pre-attached for shipping purposes.**

Remove the 3/8" x 2" Bolt (19) and the 3/8" Nylon Locknut (1) attaching the lower 3 1/2" Pulley (30) and the "L"-Bracket (81) to the indicated "U"-Bracket (91). Wrap the Curl Cable (106) around the Pulley. Re-attach the Pulley and the "L"-Bracket to the lowest set of holes in the "U"-Bracket with the Bolt and the Nylon Locknut. It is very important that the Cable be routed around the Pulley from the direction shown.

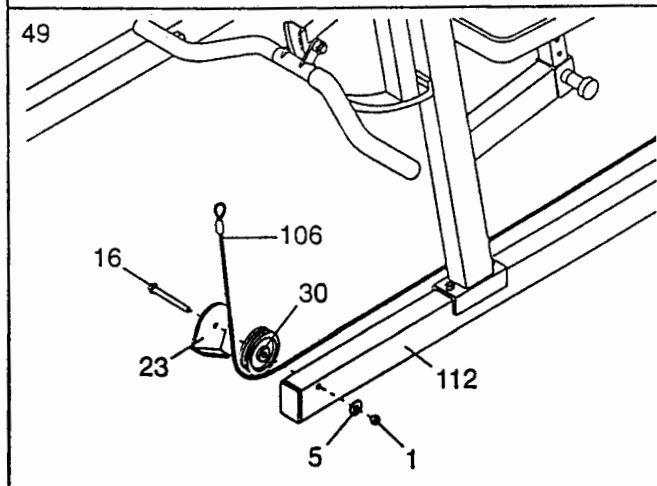


48. Wrap the Curl Cable (106) around a 3 1/2" Pulley (30). Attach the Pulley to the bracket on the Front Upright (65) with a 3/8" x 1 3/4" Bolt (10) and a Nylon Locknut (1).

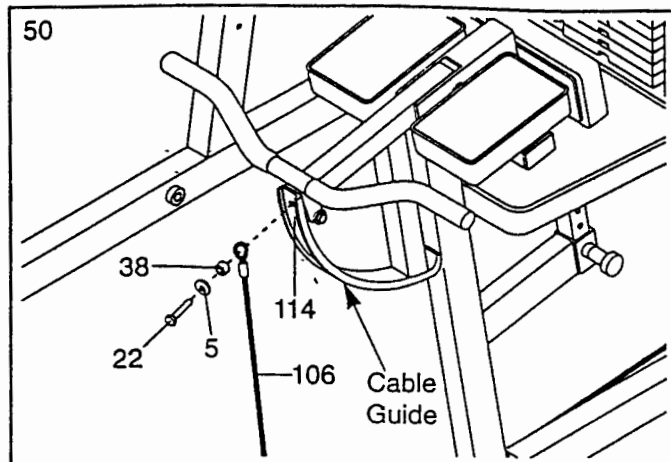


49. Locate and open the parts bag labeled "IMAGE 5.2 Steps 49-67."

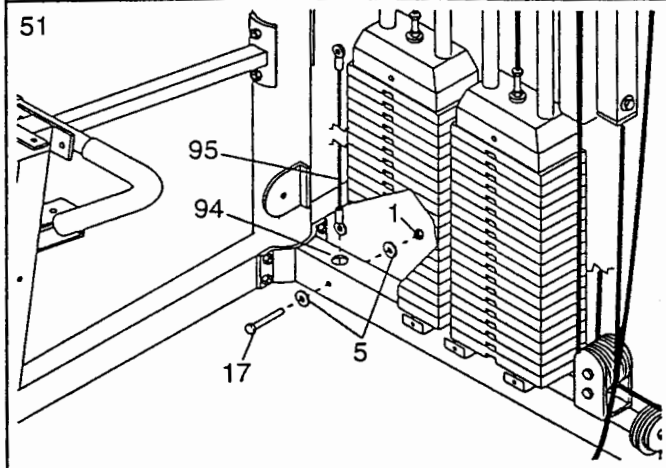
Wrap the Curl Cable (106) around a 3 1/2" Pulley (30). Attach the Pulley and a Pulley Cover (23) to the Stabilizer (112) with a 3/8" x 3 3/4" Bolt (16), a 3/8" Washer (5) and a 3/8" Nylon Locknut (1). The Pulley Cover must be oriented as shown and be positioned to hold the Cable in the groove of the Pulley.



50. Attach the end of the Curl Cable (106) to the Curl Lever (114) with a 3/8" x 1 1/4" Bolt (22), a 3/8" Washer (5), and a 1/2" x 3/8" Bushing (38). Be sure that the Bushing is inside the loop at the end of the Cable. The Cable must be oriented so that it is in line with the cable guide.



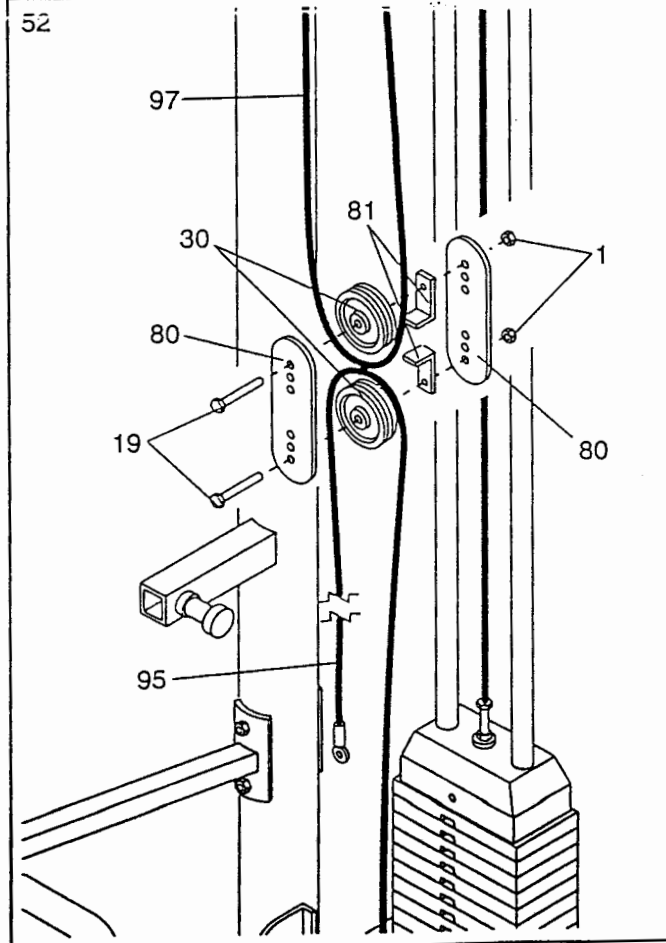
51. Find the Press Cable (95)—this is the last Cable. Insert the end of the Press Cable into the indicated hole in the Base (94). Attach the end of the Press Cable to the Base with a 3/8" x 2 3/4" Bolt (17), two 3/8" Washers (5), and a 3/8" Nylon Locknut (1).



52. Note: The Pulleys (30) used in this step were pre-attached for shipping purposes.

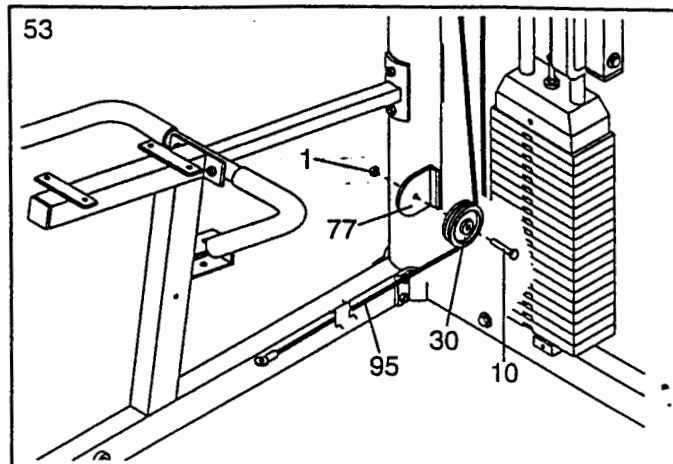
Remove the 3/8" x 2" Bolt (19) and the 3/8" Nylon Locknut (1) attaching one of the 3 1/2" Pulleys (30) to the "I"-Plates (80). Wrap the Lat Cable (97) around the Pulley. Re-attach the Pulley and the "L"-Bracket (81) to the "I"-Plates with the Bolt and the Nylon Locknut. Be sure that the "L"-Bracket is oriented as shown, and that it holds the Cable securely in place. Be sure that the Pulley is attached to the indicated holes in the "I"-Plates.

Remove the other 3/8" x 2" Bolt (19) and 3/8" Nylon Locknut (1) attaching the other 3 1/2" Pulley (30) to the "I"-Plates (80). Wrap the Press Cable (95) around the Pulley. Re-attach the Pulley and the "L"-Bracket (81) to the "I"-Plates with the Bolt and the Nylon Locknut. Be sure that the "L"-Bracket is oriented as shown, and that it holds the Cable securely in place. Be sure that the Pulley is attached to the indicated holes in the "I"-Plates.



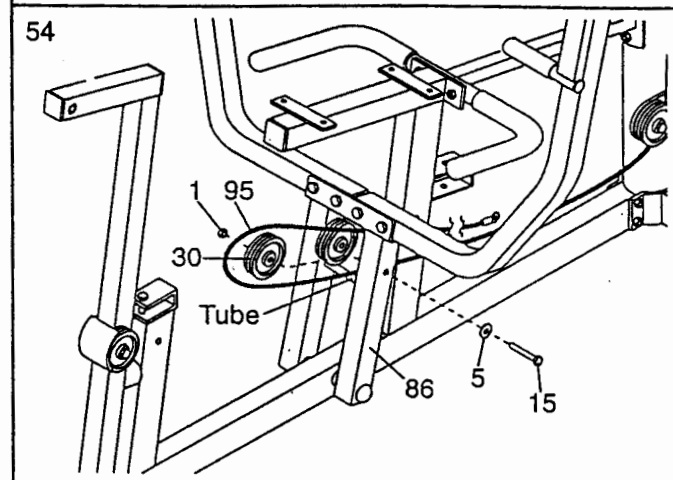
RELEASED TO
NOV 14 1996
MANUFACTURING

53. Wrap the Press Cable (95) around a 3 1/2" Pulley (30). Attach the Pulley to the bracket on the Rear Upright (77) with a 3/8" x 1 3/4" Bolt (10) and a 3/8" Nylon Locknut (1).

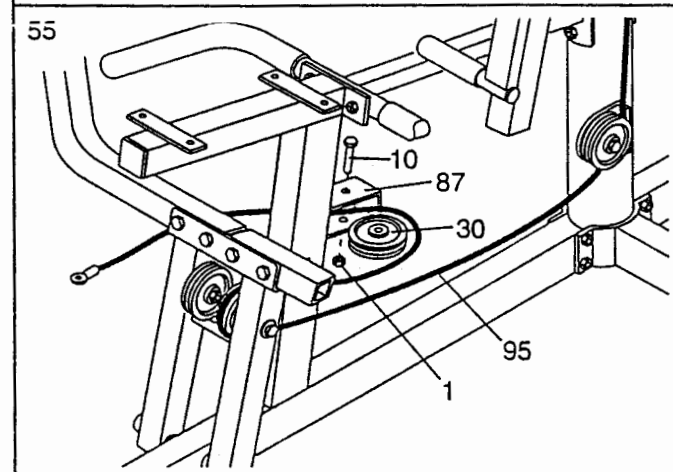


54. **Note: The Pulley (30) used in this step was pre-attached for shipping purposes.**

Remove the 3/8" x 3 1/2" Bolt (15), the 3/8" Washer (5), and the 3/8" Nylon Locknut (1) attaching the indicated 3 1/2" Pulley (30) to the Moment Arm (86). Wrap the Press Cable (95) around the Pulley as shown. Re-attach the Pulley to the Moment Arm with the Bolt, Washer, and Nylon Locknut. **Be sure that the Cable is routed under and then over the Pulley as shown; the Cable must be between the Pulley and the tube on the Moment Arm.**

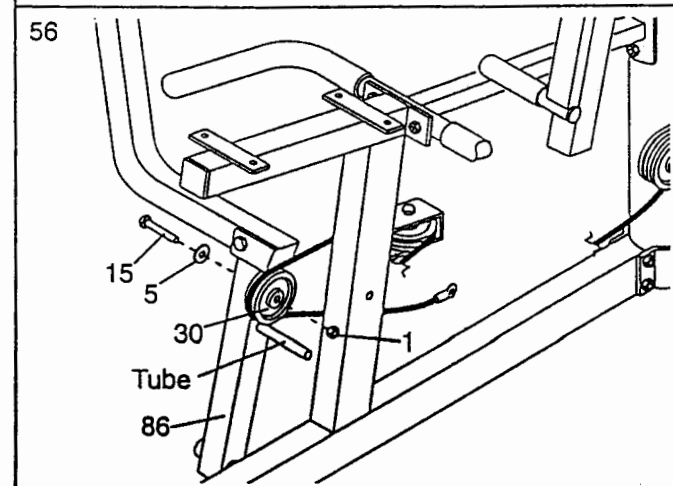


55. Wrap the Press Cable (95) around a 3 1/2" Pulley (30) as shown. Attach the Pulley to the indicated bracket on the Press Frame (87) with a 3/8" x 1 3/4" Bolt (10) and a 3/8" Nylon Locknut (1). **Be sure that the Cable is routed around the Pulley as shown.**



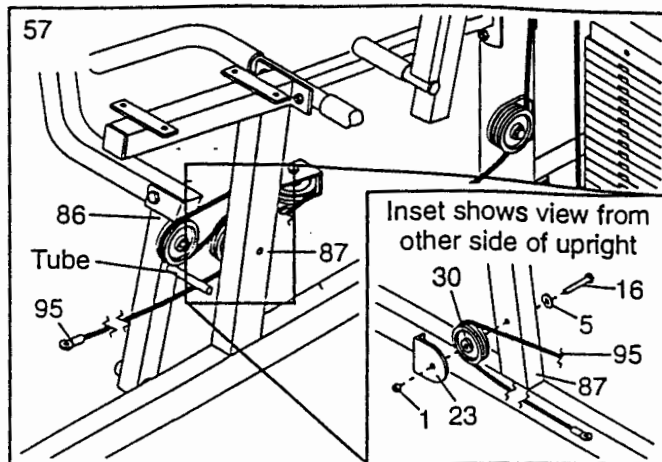
56. **Note: The Pulley (30) used in this step was pre-attached for shipping purposes.**

Remove the 3/8" x 3 1/2" Bolt (15), the 3/8" Washer (5), and the 3/8" Nylon Locknut (1) attaching the indicated 3 1/2" Pulley (30) to the Moment Arm (86). Wrap the Press Cable (95) around the Pulley as shown. Re-attach the Pulley to the Moment Arm with the Bolt, Washer, and Nylon Locknut. **Be sure that the Cable is routed over and then under the Pulley as shown; the Cable must be between the Pulley and the tube on the Moment Arm.**



57. See the inset drawing. Wrap the Press Cable (95) around a 3 1/2" Pulley (30) as shown. Attach the Pulley and a Pulley Cover (23) to the Press Frame (87) in the indicated location with a 3/8" x 3 3/4" Bolt (16), a 3/8" Washer (5), and a 3/8" Nylon Locknut (1). The Pulley Cover must be oriented as shown and be positioned to hold the Cable in the groove of the Pulley. Be sure that the Cable is routed over and then under the Pulley as shown.

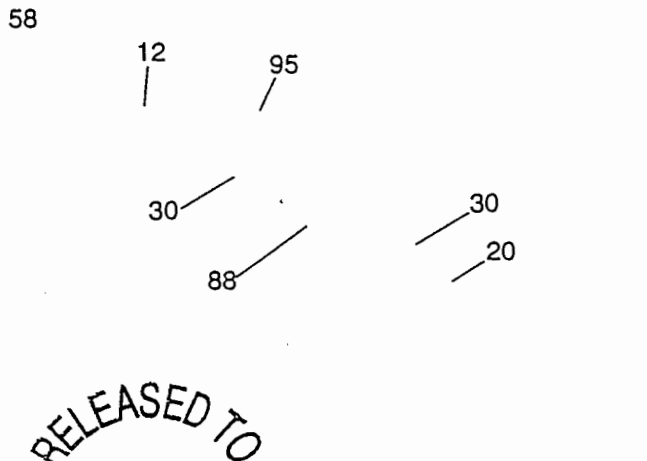
Route the Press Cable (95) under the tube on the Moment Arm (86) as shown.



58. Note: The Pulleys (30) used in this step were pre-attached for shipping purposes.

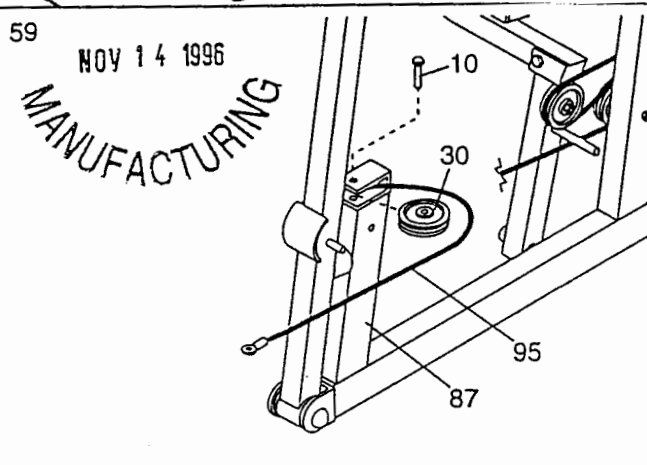
Remove the 3/8" x 4 3/4" Bolt (12), the 3/8" Nylon Jam Nut (20), and the two 3 1/2" Pulleys (30) from the Leg Press Arm (88). Wrap the Press Cable (95) around one of the Pulleys as shown. Re-attach the Pulley to indicated side of the Press Frame with the Bolt. Be sure that the Cable is routed under and then over the Pulley as shown.

The other 3 1/2" Pulley (30) and the 3/8" Nylon Jam Nut (20) will be re-attached in step 60.



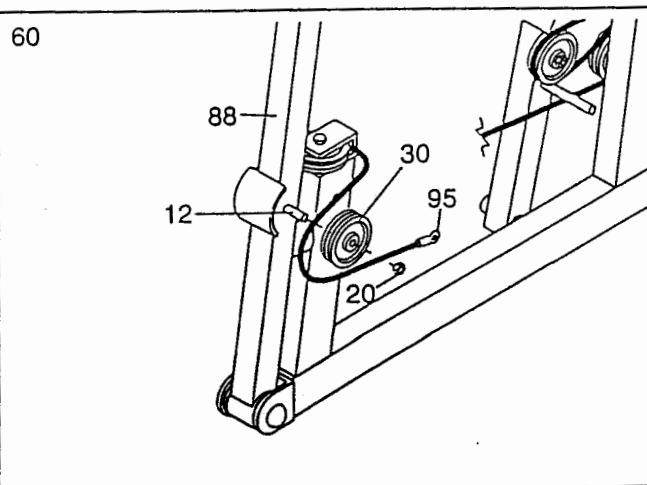
59. Note: The 3/8" x 1 3/4" Bolt (10) used in this step was pre-attached for shipping purposes.

Remove the 3/8" x 1 3/4" Bolt (10) from the Press Frame (87). Wrap the Press Cable (95) around a 3 1/2" Pulley (30) as shown. Attach the Pulley to the bracket with the Bolt. Be sure that the Cable is routed around the Pulley as shown.

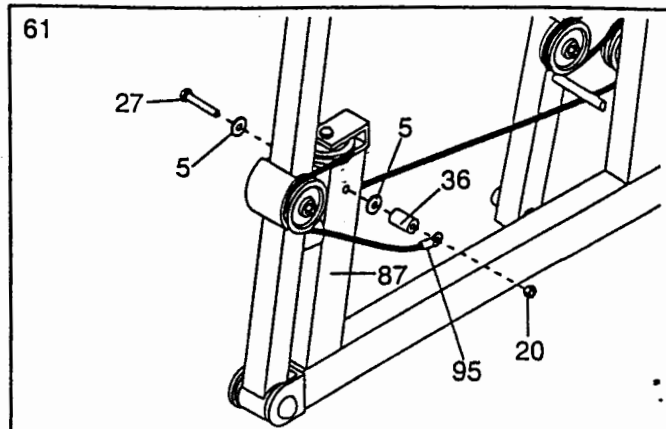


60. Note: The Pulley (30) and the Nylon Locknut (20) used in this step were removed in step 58.

Wrap the Press Cable (95) around the 3 1/2" Pulley (30) that was removed in step 58. Slide the Pulley onto the 3/8" x 4 3/4" Bolt (12) in the Leg Press Arm (88). Re-attach the 3/8" Nylon Jam Nut (20) to the Bolt. Be sure that the Cable is routed over and then under the Pulley as shown.

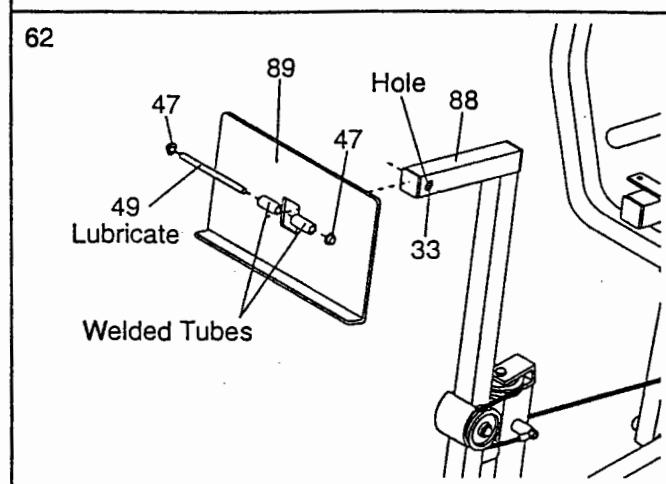


61. Attach the end of the Press Cable (95) to the Press Frame (87) with the 3/8" x 3 1/4" Bolt (27), two 3/8" Washers (5), a 5/8" x 1/2" Bushing (36), and a 3/8" Nylon Jam Nut (20). **Do not overtighten the Nylon Jam Nut; the end of the Cable must be able to pivot.**

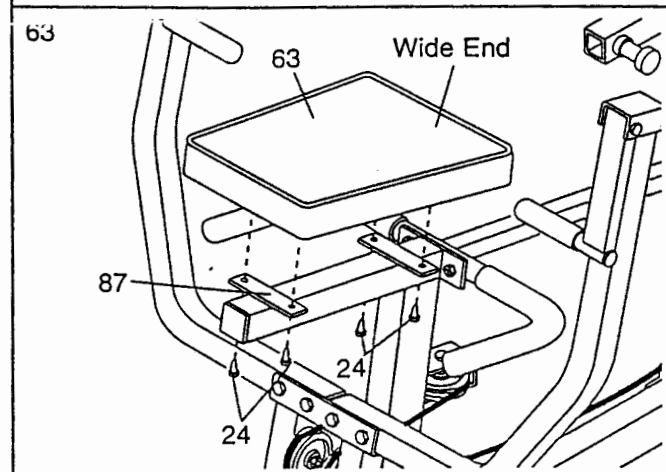


62. Be sure that the pre-attached 1/2" x 2 1/4" Bushing (33) is in the indicated hole in the Leg Press Arm (88).

Tap a 1/2" Hat Cap (47) onto one end of the 1/2" x 7 3/8" Axle (49). Lubricate the Axle. Align the welded tubes on the Press Plate (89) with the indicated hole in the Leg Press Arm (88). **Be sure that the Press Plate is oriented as shown.** Tap the Axle through the holes in the Press Plate and the Leg Press Arm. Tap another 1/2" Hat Cap (47) onto the other end of the Axle.

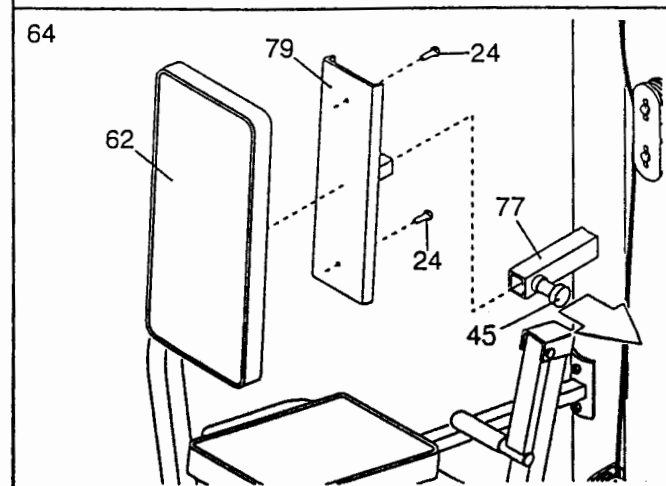


63. Attach the Seat (63) to the Press Frame (87) with four 1/4" x 3/4" Screws (24). **The wide end of the Seat must be on the side shown.**



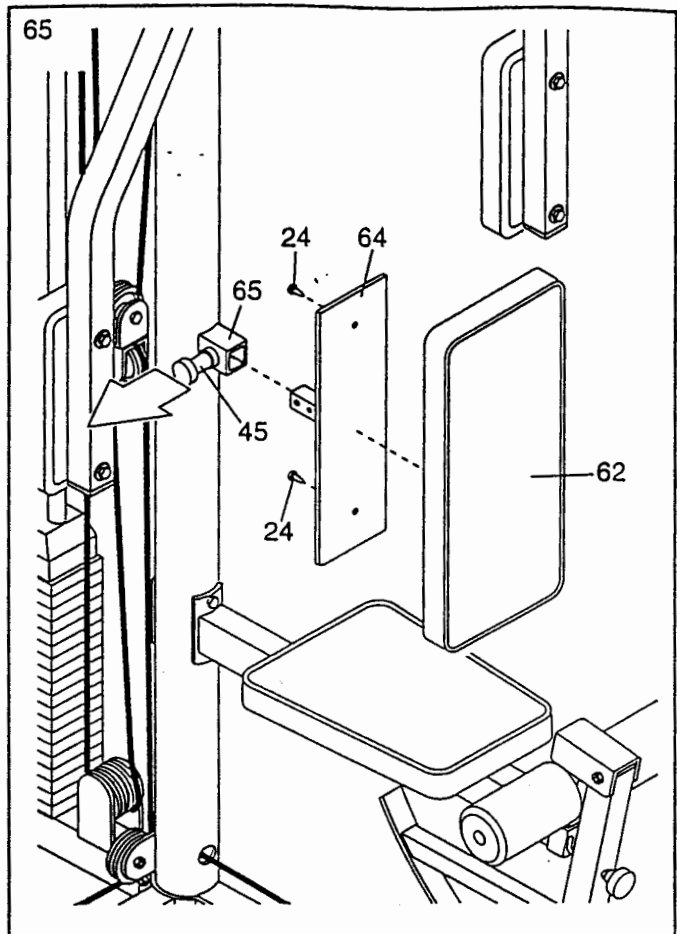
64. Attach a Backrest (62) to the Press Seat Bracket (79) with two 1/4" x 3/4" Screws (24).

Turn the indicated Lock Knob (45) counter-clockwise until it turns freely. Pull the Lock Knob and hold it. Insert the tube on the Press Seat Bracket (79) into the tube on the Rear Upright (77). Move the Press Seat Bracket so that the Backrest (62) is in the desired position. Release the Lock Knob. **Move the Press Seat Bracket back and forth slightly until the Lock Knob locks into place.** Turn the Lock Knob clockwise until it is firmly tightened.

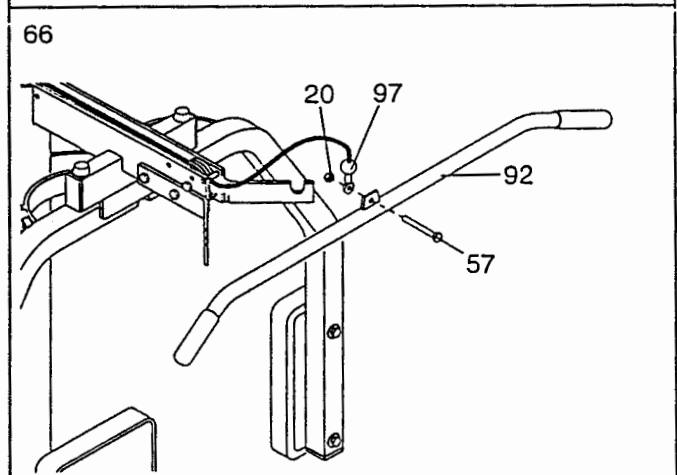


65. Attach a Backrest (62) to the Backrest Plate (64) with two 1/4" x 3/4" Screws (24).

Turn the indicated Lock Knob (45) counter-clockwise until it turns freely. Pull the Lock Knob and hold it. Insert the tube on the Backrest Plate (64) into the tube on the Front Upright (65). Move the Backrest Plate so that the Backrest (62) is in the desired position. Release the Lock Knob. Move the Backrest Plate back and forth slightly until the Lock Knob locks into place. Turn the Lock Knob clockwise until it is firmly tightened.



66. Attach the Lat Bar (92) to the Lat Cable (97) with a 3/8" x 3/4" Bolt (57) and a 3/8" Nylon Jam Nut (20).

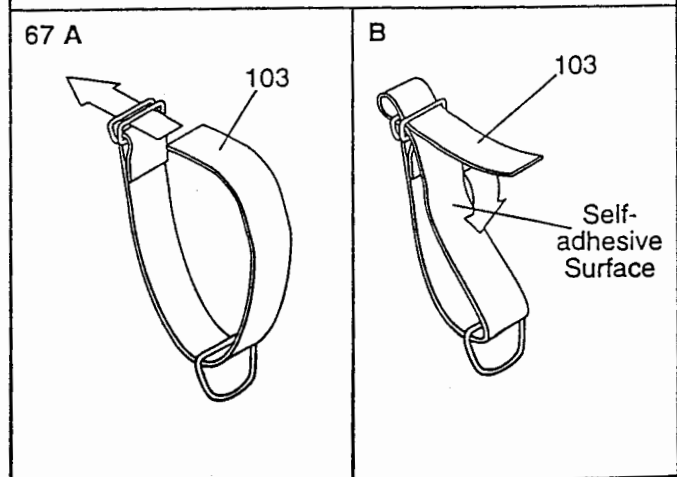


67. See drawing A. Feed the indicated end of the Nylon Strap (103) through both buckles on the other end of the Strap.

See drawing B. Feed the end of the Nylon Strap (103) back through the indicated buckle. Pull the Strap tight. Press the end of the Strap firmly against the self-adhesive surface.

To adjust the size, loosen the buckles and slide the Nylon Strap (103) to the desired size. Pull the Strap tight again.

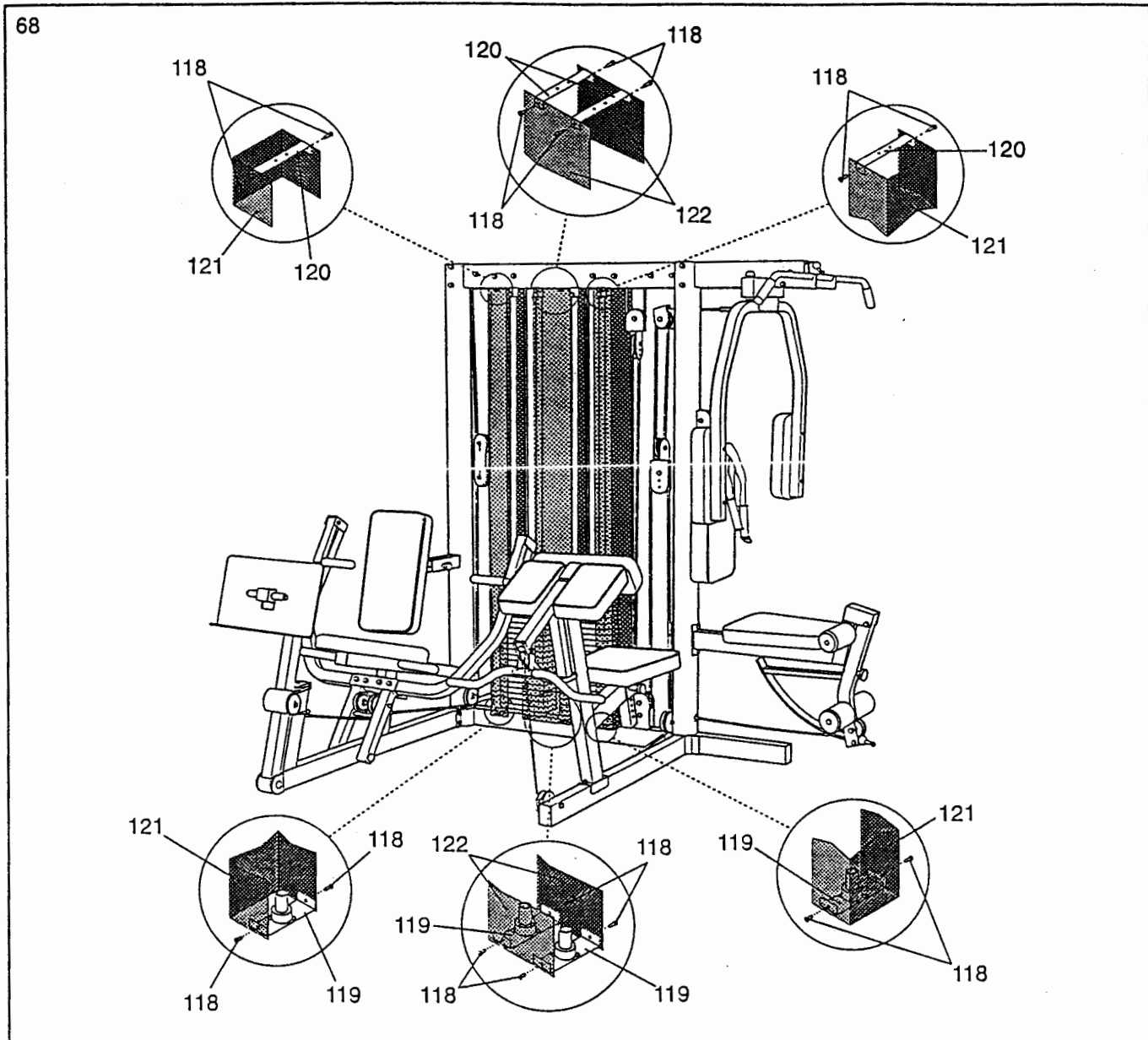
RELEASED TO
NOV 14 1996
MANUFACTURING



68. Center both Mid Shields (122) on the indicated Upper Shield Brackets (120). Align the holes in the Brackets with two of the holes in the Shields. Attach the Shields to the Brackets with four 1/2" Self-tapping Screws (118). Attach both Mid Shields to the Lower Shield Brackets (119) in the same manner. **Note: The Self-tapping Screws will require some effort to thread into place.**

Attach one End Shield (121) to one of the remaining Upper Shield Brackets (120) with two 1/2" Self-tapping Screws (118). Be sure that there is approximately a 3" gap between the End Shield and the Mid Shield (122). Attach that End Shield to the Lower Shield Bracket (119) with two 1/2" Self-tapping Screws (118). **Note: The Self-tapping Screws will require some effort to thread into place.**

Attach the remaining End Shield (121) to the remaining Upper Shield Bracket (120) and Lower Shield Bracket (119) in the same manner.



69. Make sure that all parts are correctly assembled and tightened. The use of the remaining parts will be explained in HOW TO ADJUST THE IMAGE® 5.2, beginning on page 26 of this manual.

Before using the IMAGE 5.2, pull the end of each cable a few times to make sure that the cables move smoothly. If the cables bind, correct the problem before using the IMAGE 5.2. See the CABLE DIAGRAMS on pages 30 and 31 of this manual to make sure that the cables are properly routed. **IMPORTANT: If the cables have been incorrectly routed, they will be damaged when heavy weight is used.**

HOW TO ADJUST THE IMAGE® 5.2

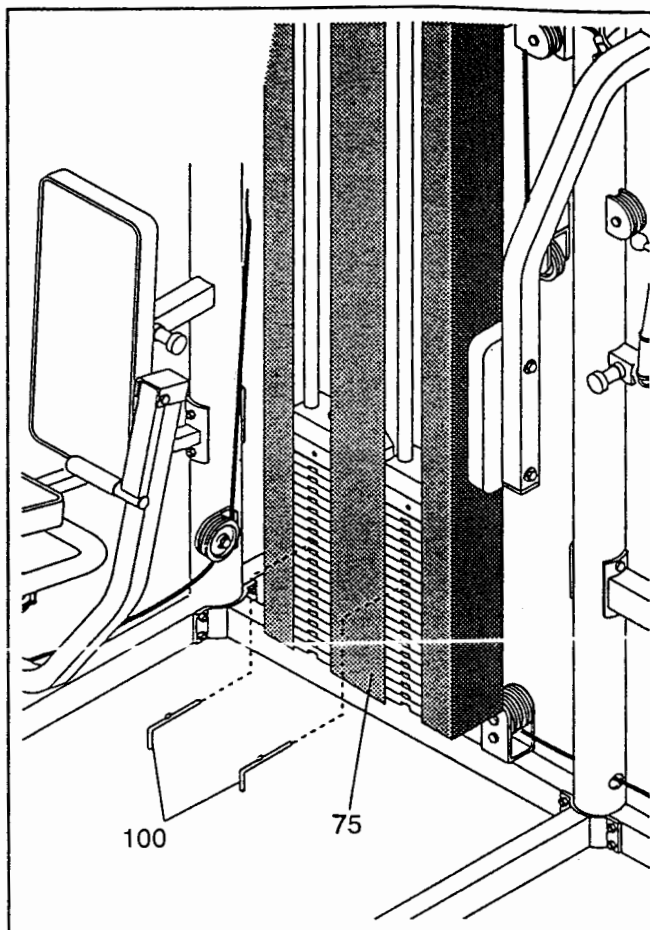
The instructions below describe how each part of the IMAGE 5.2 can be adjusted. Refer to the exercise guide accompanying this manual to see how the IMAGE 5.2 should be set up for each exercise. **IMPORTANT:** When attaching the lat bar or nylon strap, make sure that the attachments are in the correct starting position for the exercise to be performed. If there is any slack in the cables or chain as an exercise is performed, the effectiveness of the exercise will be reduced.

CHANGING THE WEIGHT SETTING

To change the weight setting of either weight stack, insert a Weight Pin (100) under the desired Weight (75). Be sure to insert the Weight Pin until the bent end of the Weight Pin is touching the Weights, and turn the bent end downward. The weight setting of either weight stack can be changed from 10 pounds to 200 pounds, in increments of 10 pounds.

Note: Due to the cables and pulleys, the amount of resistance at each exercise station may vary from the weight setting. Refer to the accompanying WEIGHT RESISTANCE CHART to find the approximate amount of resistance at each weight station.

RELEASED TO
NOV 14 1996
MANUFACTURING

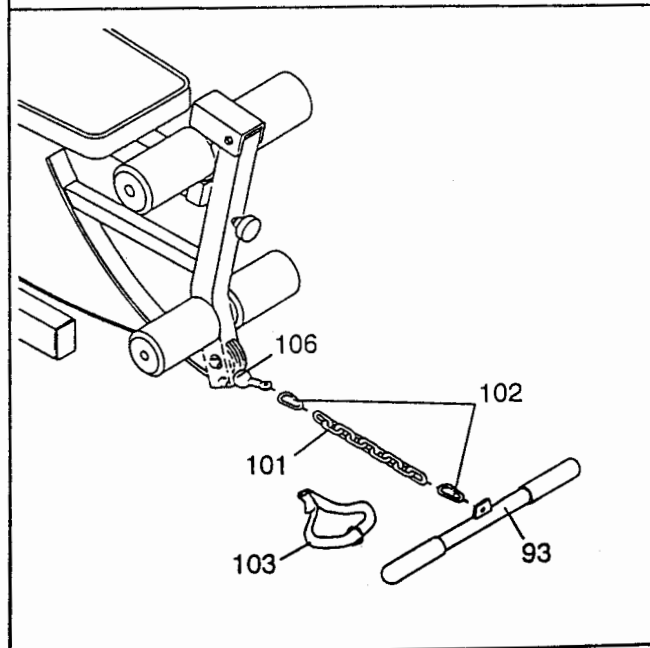


ATTACHING THE ROW BAR OR NYLON STRAP TO THE LOW PULLEY STATION

Note: Before you use the low pulley station, the leg lever must be locked (see LOCKING THE LEG LEVER on page 28).

Attach the Row Bar (93) to the Curl Cable (106) with a Cable Clip (102). For some exercises, the Chain (101) should be attached between the Row Bar and the Curl Cable with two Cable Clips. Adjust the length of the Chain between the Row Bar and the Curl Cable so the Row Bar is in the correct starting position for the exercise to be performed.

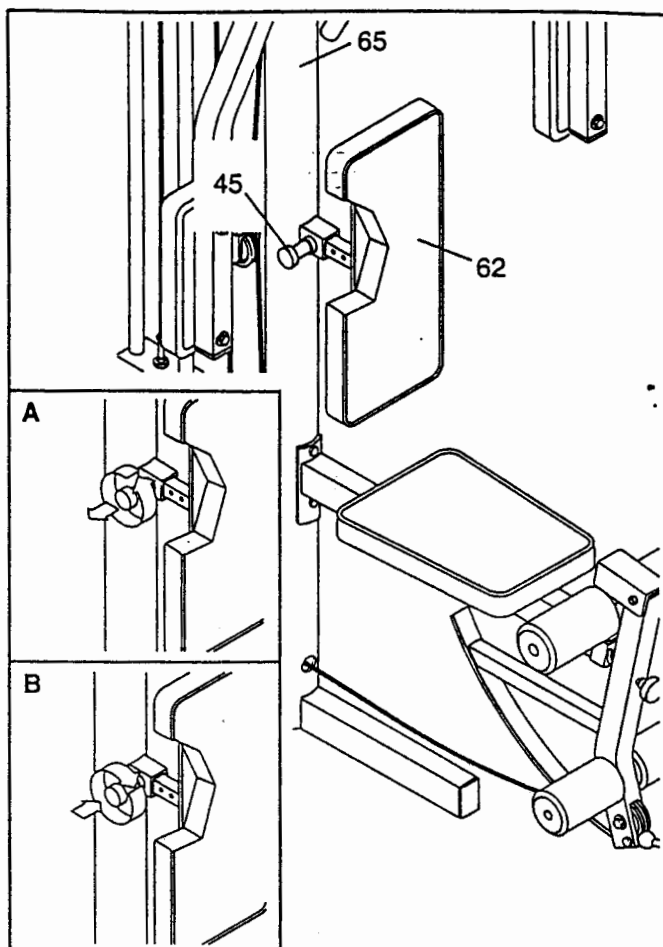
The Nylon Strap (103) can be attached in the same manner.



ADJUSTING THE BACKRESTS

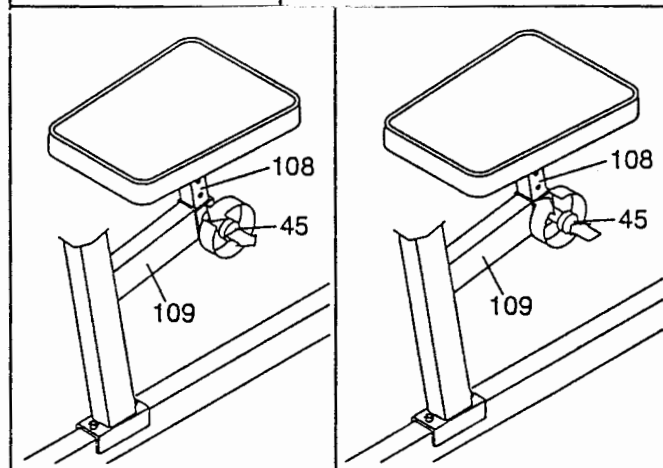
To adjust the Backrest (62) on the Front Upright (65), turn the Lock Knob (45) counterclockwise until it turns freely (see drawing A). Pull the Lock Knob and hold it. Move the Backrest to the desired position. Release the Lock Knob. **Move the Backrest back and forth slightly until the Lock Knob locks into place.** Turn the Lock Knob clockwise until it is firmly tightened (see drawing B).

The other Backrest (62) on the Rear Upright (not shown) can be adjusted in the same manner.



ADJUSTING THE CURL STATION SEAT

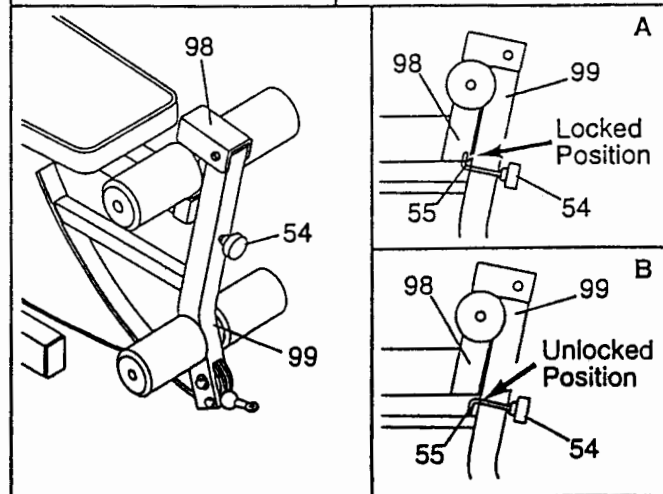
To adjust the Seat Bracket (108) on the Curl Frame (109), turn the Lock Knob (45) counterclockwise until it turns freely (see the drawing on the left). Pull the Lock Knob and hold it. Move the Seat Bracket to the desired position. Release the Lock Knob. Move the Seat Bracket up and down slightly until the Lock Knob locks into place. Turn the Lock Knob clockwise until it is firmly tightened (see the drawing on the right).



LOCKING THE LEG LEVER

See drawing A. For some exercises, the Leg Lever (99) must be locked in place. To lock the Leg Lever, first hold the Leg Lever against the Seat Frame (98). Turn the 3/8" Knob (54) so that the bent end of the Locking Pin (55) locks into place inside the Seat Frame. Note the position of the Locking Pin in drawing A.

See the lower inset drawing. To unlock the Leg Lever (99), turn the 3/8" Knob (54) so that the bent end of the Locking Pin (55) is not in the Seat Frame (98). Note the position of the Locking Pin in drawing B.



TROUBLE-SHOOTING AND MAINTENANCE

Inspect and tighten all parts each time you use the home gym system. Replace any worn parts immediately. The home gym system can be cleaned using a damp cloth and mild non-abrasive detergent. Do not use solvents.

TIGHTENING THE CABLES

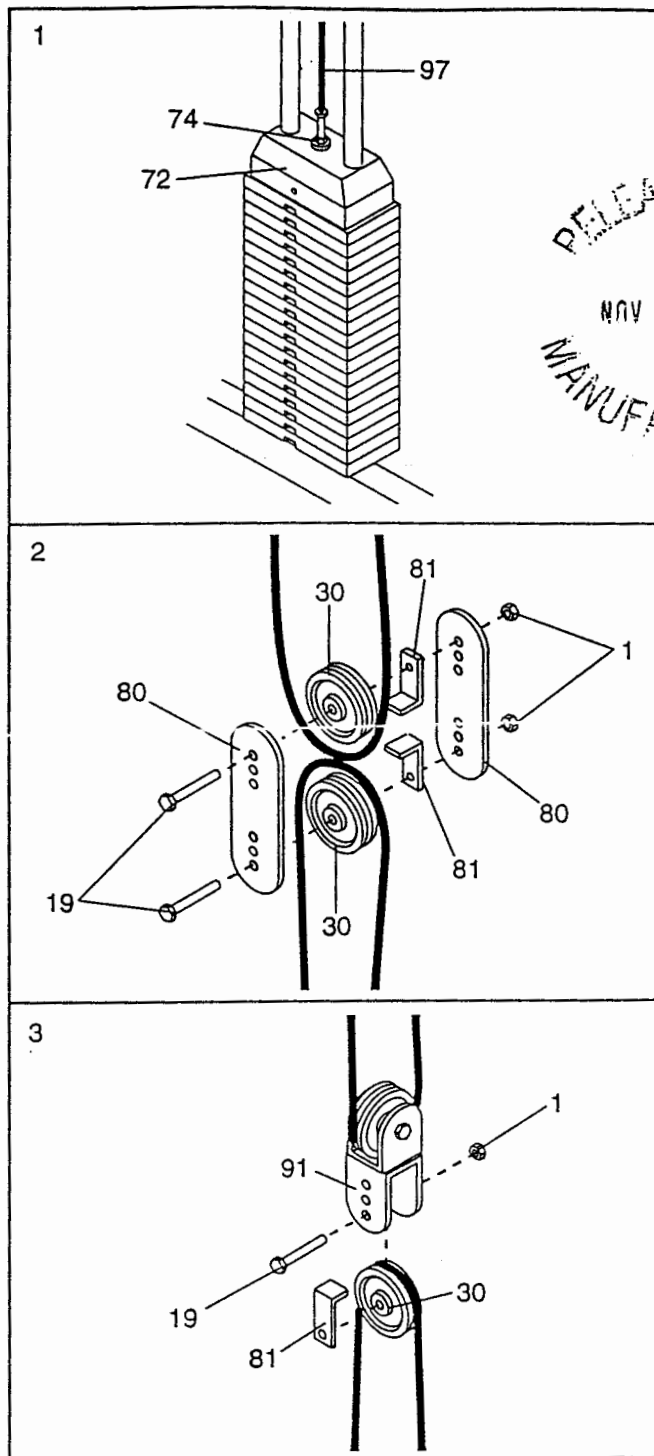
Woven cable, the type of cable used on the home gym system, can stretch slightly when it is first used. If there is too much slack in the cables, they should be tightened. Locate the threaded end of the Lat Cable (97) in the Top Weight Cover (72). Loosen the 1/2" Nut (74). Thread the end of the Cable further into the Top Weight Cover, until there is no slack in the cables. Finger tighten the 1/2" Nut against the Top Weight Cover.

Slack can also be removed by moving one or both of the 3 1/2" Pulleys (30) to a different set of holes in the "I"-Plates (80).

To move one of the 3 1/2" Pulleys (30), remove the 3/8" Nylon Locknut (1) and the 3/8" x 2" Bolt (19) from the Pulley, the "L"-Bracket (81), and both "I"-Plates (80). Re-attach the Pulley and the "L"-Bracket using the next hole in the "I"-Plates. Be sure that the "L"-Bracket is in the proper position and that the Cable and Pulley move smoothly.

Additional slack can be removed by moving one or both of the lower 3 1/2" Pulleys (30) attached to the "U"-Brackets (91).

To move one of the 3 1/2" Pulleys (30), remove the 3/8" Nylon Locknut (1), the 3/8" x 2" Bolt (19), the Pulley, and the "L"-Bracket (81), from the "U"-Bracket (91). Using the Bolt and Nylon Locknut, re-attach the Pulley and the "L"-Bracket to the next hole in the "U"-Bracket. Be sure that the "L"-Bracket is in the proper position and that the Cable and Pulley move smoothly.



RELEASED TO
NOV 14 1996
MANUFACTURING

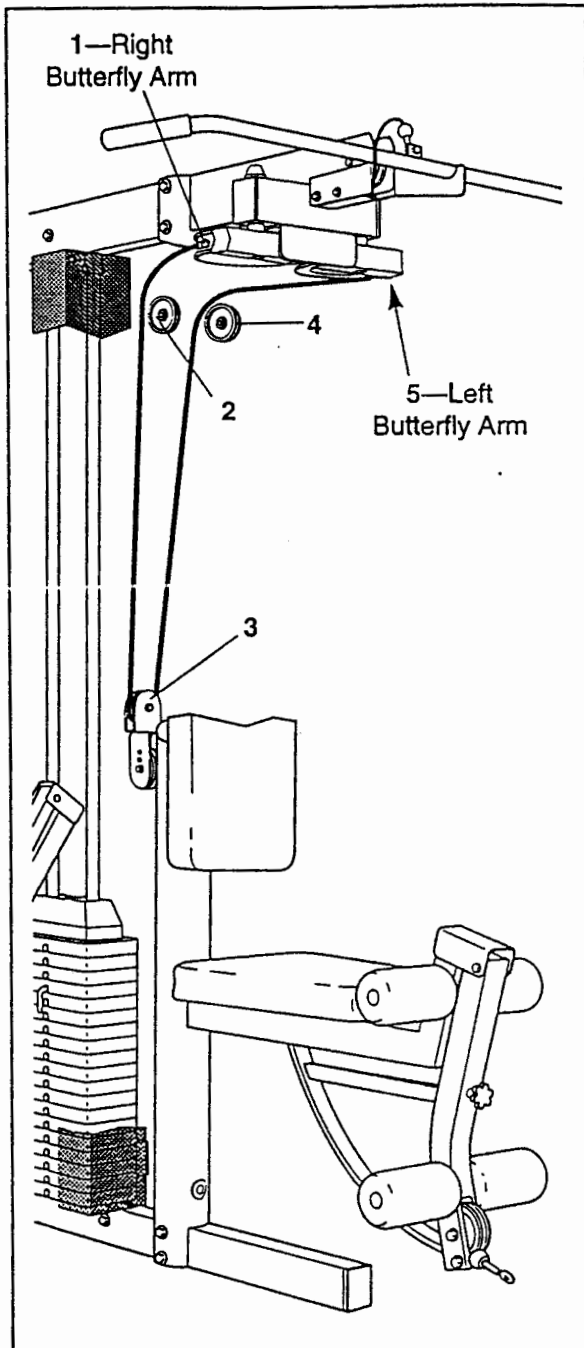
Note: If a cable tends to slip off the pulleys often, the cable may have become twisted. Remove the cable and re-install it.

If the cables need to be replaced, see ORDERING REPLACEMENT PARTS on the back cover of this manual.

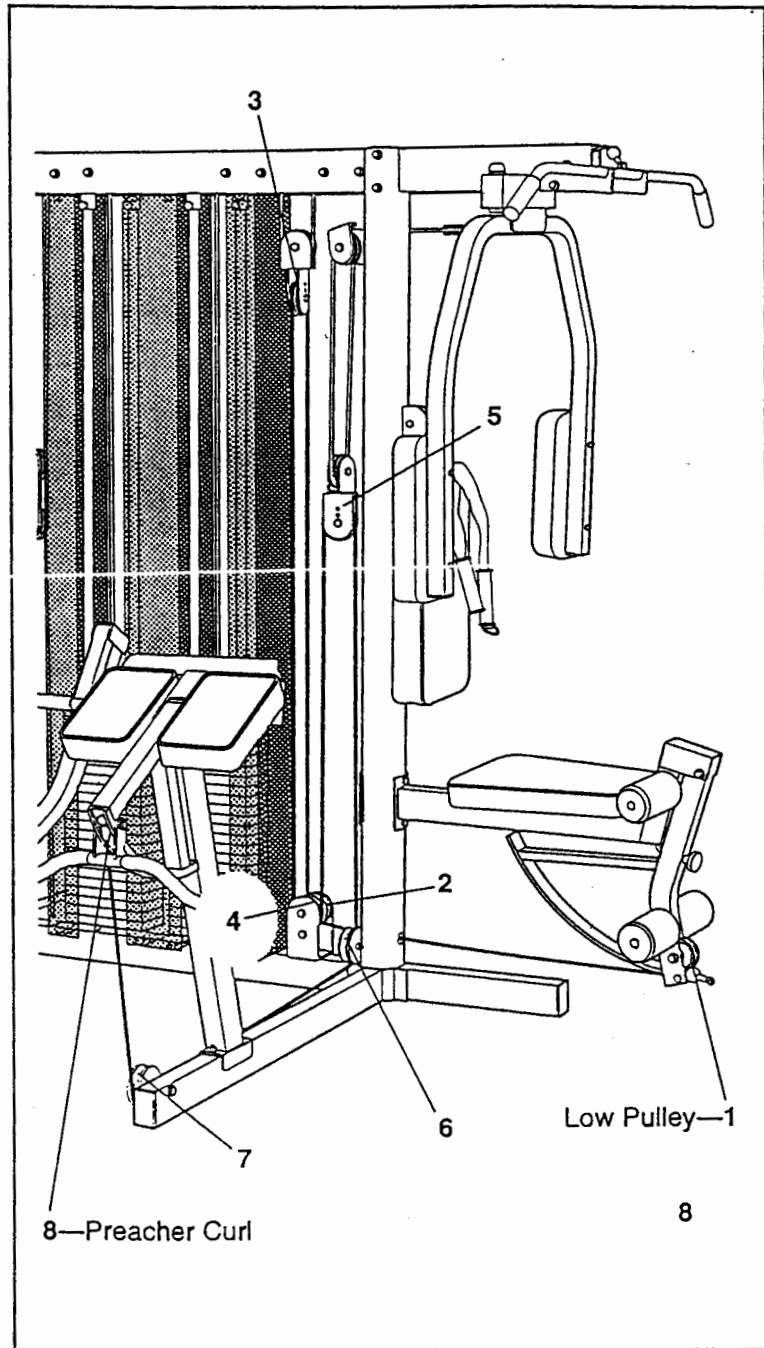
CABLE DIAGRAMS

The cable diagrams on this page and the next page show the proper routing of the Butterfly Cable (96), the Curl Cable (106), the Lat Cable (97), the Press Cable (95), and the Ab Cable (107). Use the diagrams to be sure that the Cables have been assembled correctly. The starting and ending points of each Cable have been labeled. The numbers show the proper route for each Cable. **IMPORTANT:** If the Cables have not been correctly routed, the IMAGE 5.2 will not function properly and damage may occur.

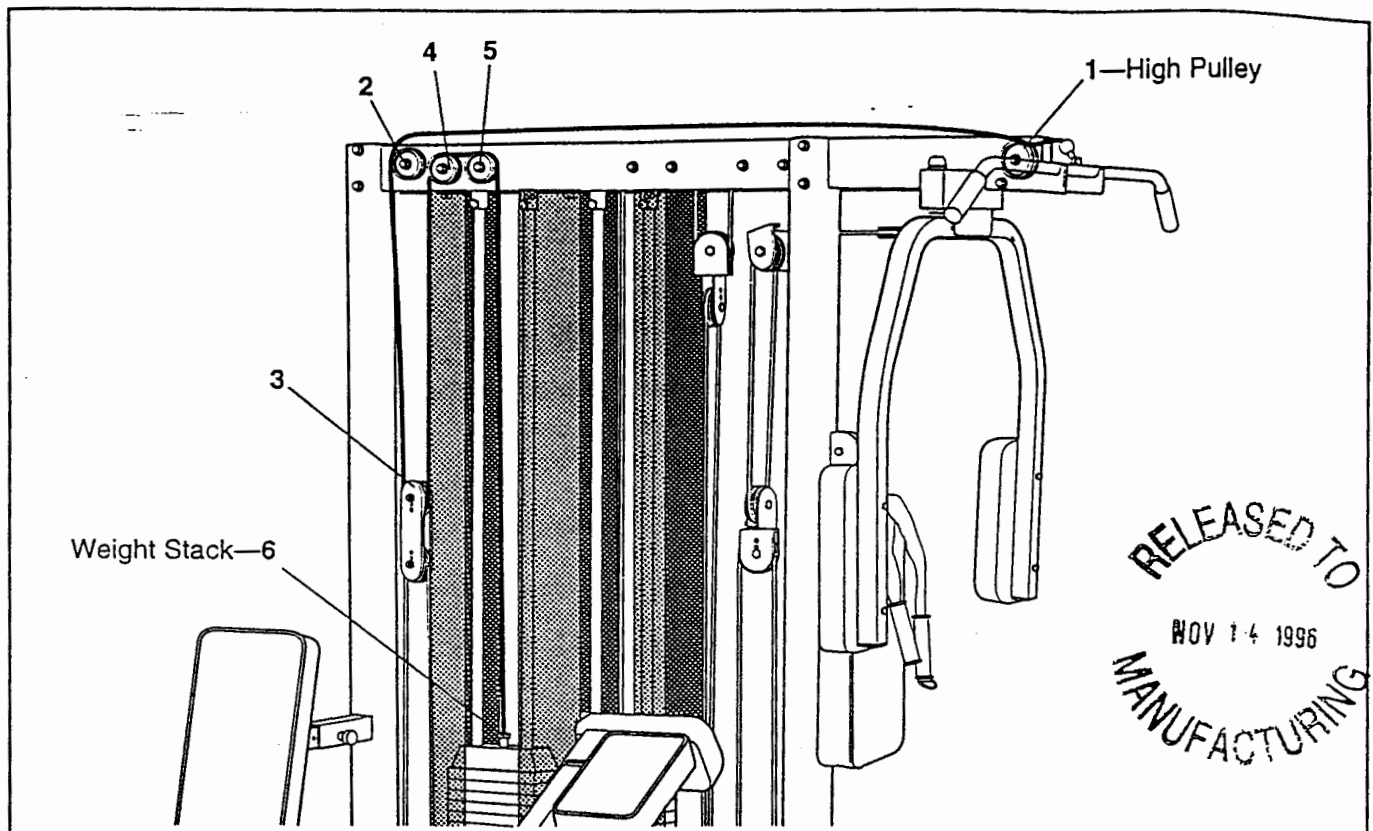
Butterfly Cable (96)



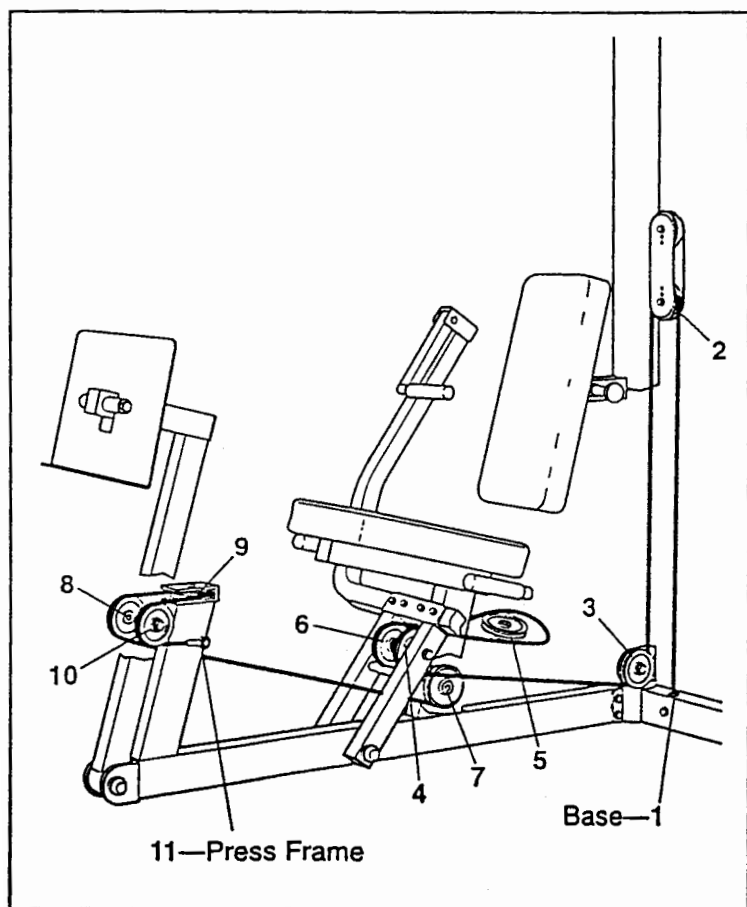
Curl Cable (106)



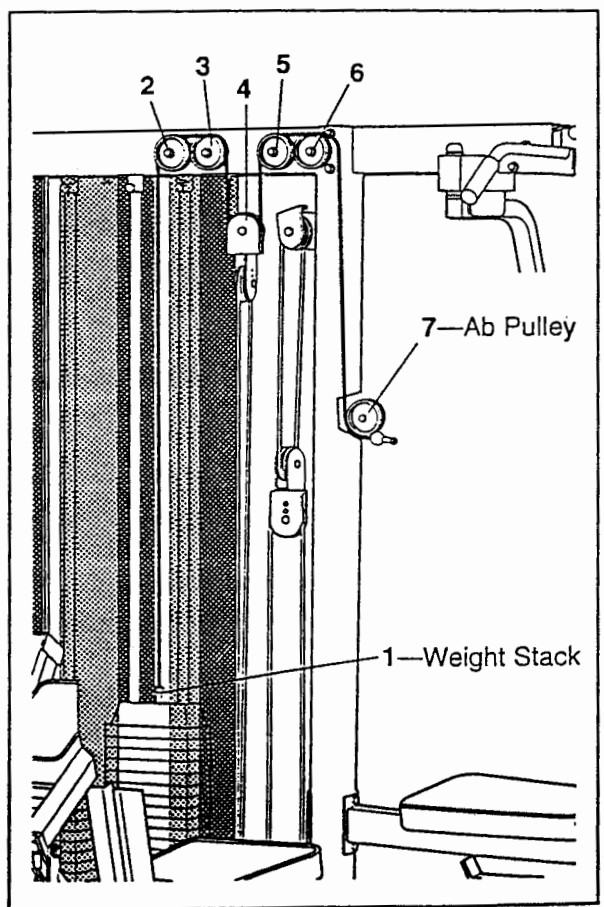
Lat Cable (97)



Press Cable (95)



Ab Cable (107)



ORDERING REPLACEMENT PARTS

To order replacement parts, simply call our Customer Service Department toll-free at 1-800-999-3756, Monday through Friday, 6 a.m. until 6 p.m. Mountain Time (excluding holidays). To help us assist you, please be prepared to give the following information:

- The MODEL NUMBER of the product (IMSY52161).
- The NAME of the product (IMAGE® 5.2 Home Gym System).
- The SERIAL NUMBER of the product (see the front cover of this manual).
- The KEY NUMBER and DESCRIPTION of the part(s) (see the PART LIST/EXPLODED DRAWING attached to the center of this manual).

IMAGE is a registered trademark of ICON Health & Fitness, Inc.

LIMITED WARRANTY

ICON Health & Fitness, Inc. (ICON), warrants this product to be free from defects in workmanship and material, under normal use and service conditions, for a period of ninety (90) days from the date of purchase. This warranty extends only to the original purchaser. ICON's obligation under this warranty is limited to replacing or repairing, at ICON's option, the product at one of its authorized service centers. All products for which warranty claim is made must be received by ICON at one of its authorized service centers with all freight and other transportation charges prepaid, accompanied by sufficient proof of purchase. All returns must be pre-authorized by ICON. This warranty does not extend to any product or damage to a product caused by or attributable to freight damage, abuse, misuse, improper or abnormal usage or repairs not provided by an ICON authorized service center, products used for commercial or rental purposes, or products used as store display models. No other warranty beyond that specifically set forth above is authorized by ICON.

ICON is not responsible or liable for indirect, special or consequential damages arising out of or in connection with the use or performance of the product or damages with respect to any economic loss, loss of property, loss of revenues or profits, loss of enjoyment or use, costs of removal, installation or other consequential damages of whatsoever nature. Some states do not allow the exclusion or limitation of incidental or consequential damages. Accordingly, the above limitation may not apply to you.

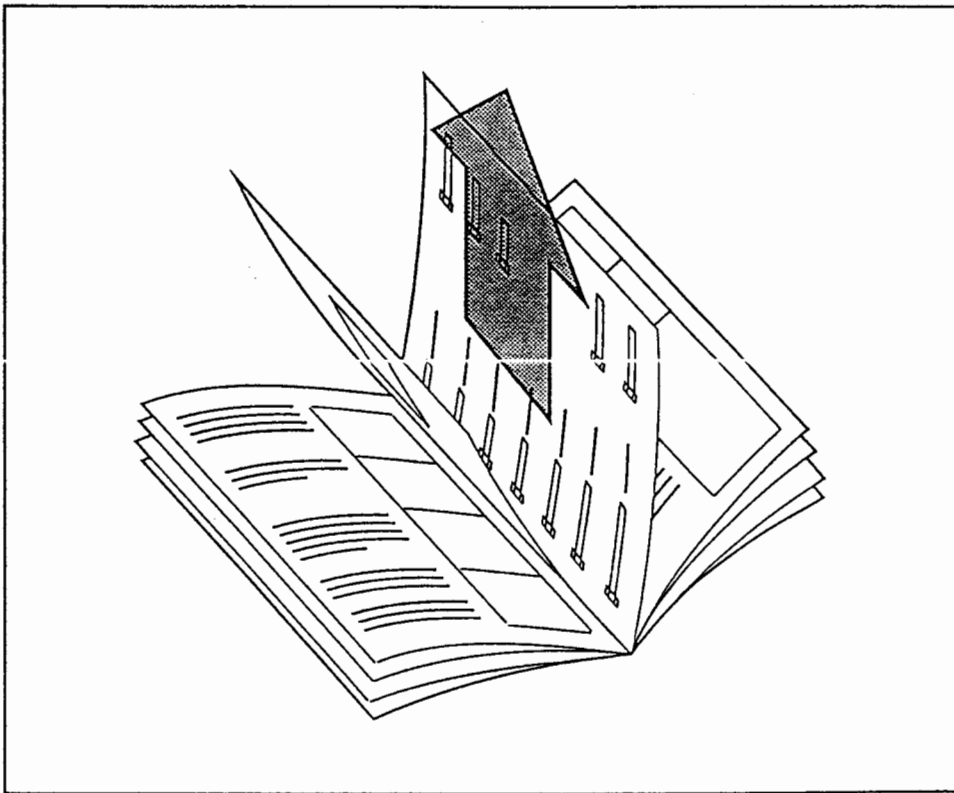
The warranty extended hereunder is in lieu of any and all other warranties and any implied warranties of merchantability or fitness for a particular purpose is limited in its scope and duration to the terms set forth herein. Some states do not allow limitations on how long an implied warranty lasts. Accordingly, the above limitation may not apply to you.

This warranty gives you specific legal rights. You may also have other rights which vary from state to state.

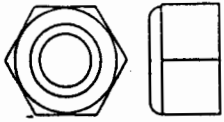
ICON HEALTH & FITNESS, INC., 1500 S. 1000 W., LOGAN, UT 84321-9813

REMOVE THIS PART IDENTIFICATION CHART FROM THE MANUAL

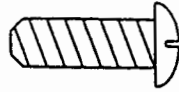
This chart is provided to help you identify the small parts used in assembly. Important: Some parts may have been pre-assembled for shipping purposes. If you cannot find a part in the parts bags, check to see if it has been pre-assembled. The number in parenthesis below each part refers to the key number of the part. The second number refers to the quantity needed for assembly.



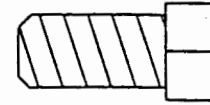
RELEASED TO
NOV 14 1996
MANUFACTURING



3/8" Nylon Locknut (1)-61



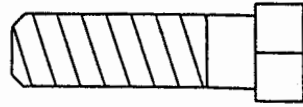
1/4" x 3/4" Screw (24)-18



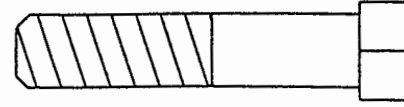
3/8" x 3/4" Hex Bolt (57)-2



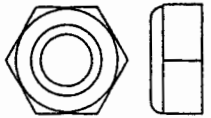
3/8" Nut (21)-1



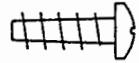
3/8" x 1 1/4" Bolt (22)-3



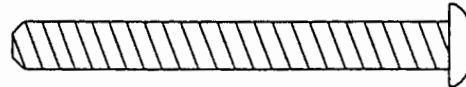
3/8" x 1 3/4" Bolt (10)-10



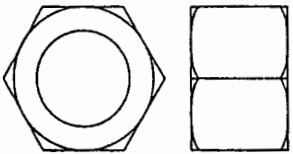
3/8" Nylon Jam Nut (20)-8



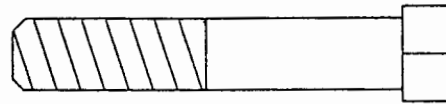
1/2" Tap Screw (118)-32



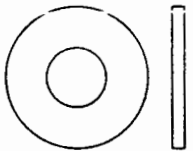
1/4" x 2 1/4" Screw (25)-4



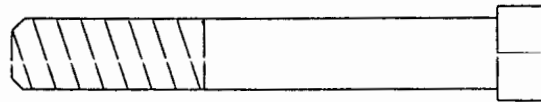
1/2" Nut (74)-2



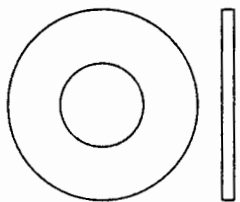
3/8" x 2" Bolt (19)-9



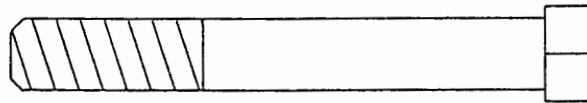
1/4" Washer (26)-4



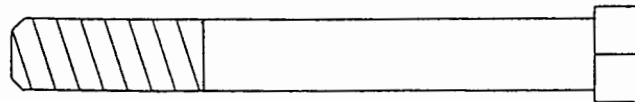
3/8" x 2 1/2" Bolt (13)-7



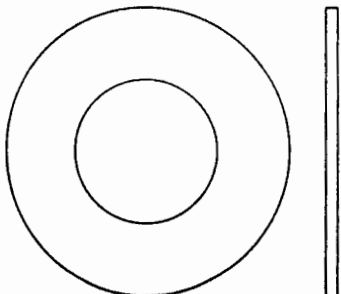
3/8" Washer (5)-41



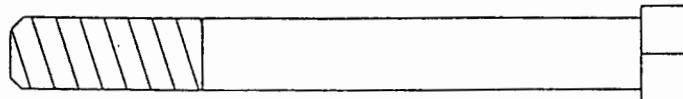
3/8" x 2 3/4" Bolt (17)-6



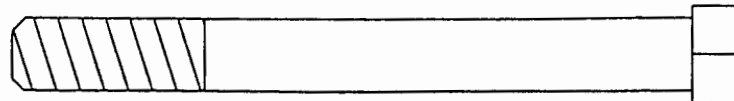
3/8" x 3" Bolt (11)-17



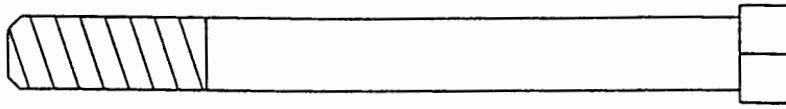
1 1/2" x 3/4" Washer (4)-2



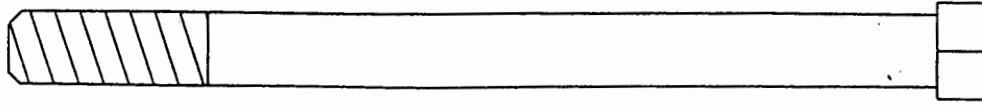
3/8" x 3 1/4" Bolt (27)-1



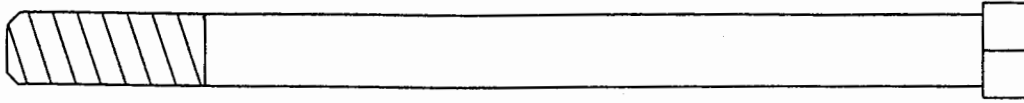
3/8" x 3 1/2" Bolt (15)-2



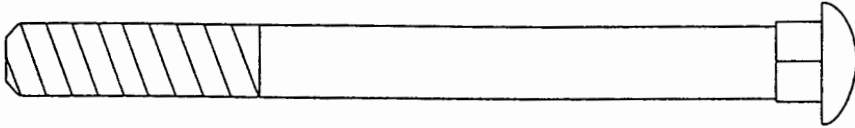
3/8" x 3 3/4" Bolt (16)-2



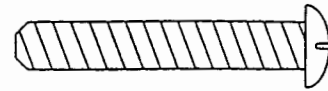
3/8" x 4 3/4" Bolt (12)-7



3/8" x 5" Bolt (14)-4



3/8" x 3 3/4" Carriage Bolt (110)-2



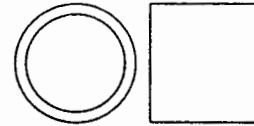
1/4" x 1 1/2" Screw (115)-4



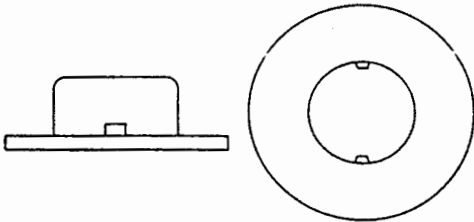
1/2" x 3/8" Spacer (38)-3



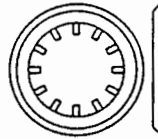
5/8" x 1/2" Bushing (36)-3



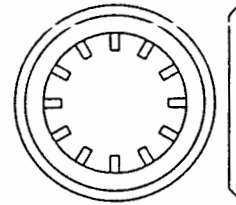
5/8" x 9/16" Bushing (39)-14



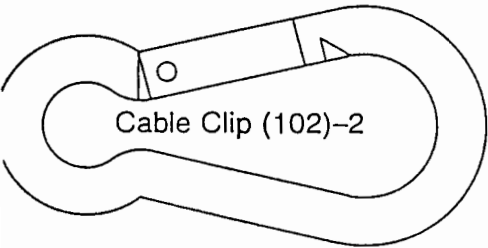
1/2" Hat Cap (47)-6



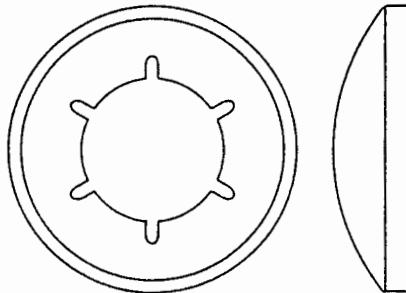
1/2" Retainer (2)-4



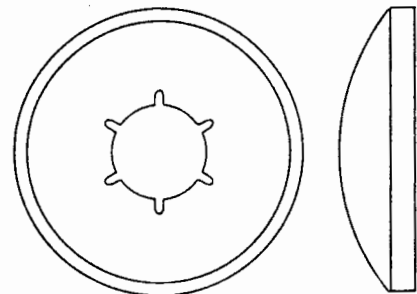
3/4" Retainer (3)-4



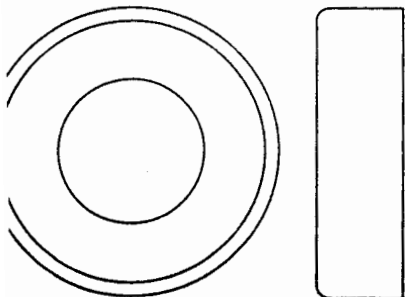
Cable Clip (102)-2



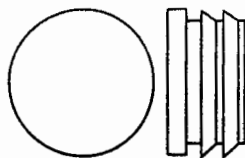
3/4" Dome Cap (6)-2



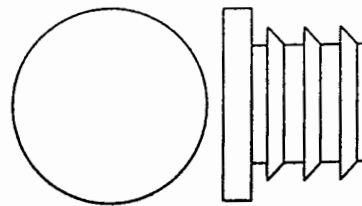
1/2" Dome Cap (7)-4



Weld Cover (53)-2

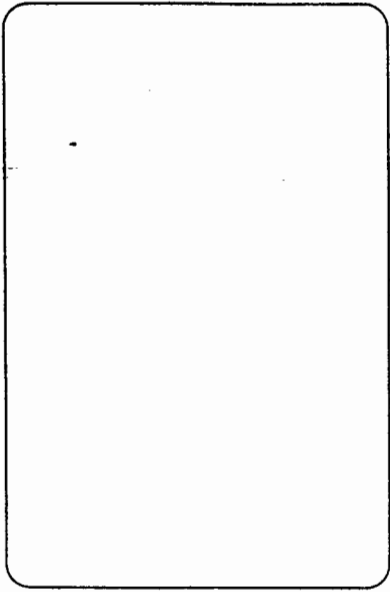


3/4" Round Inner Cap (40)-4

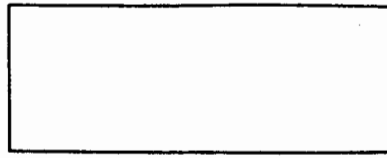
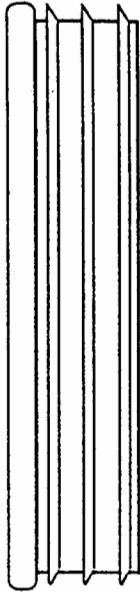


1" Round Inner Cap (41)-2

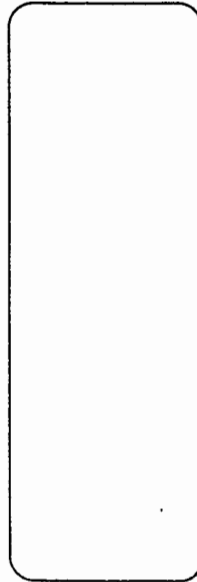
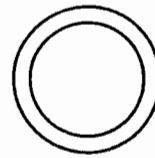
BASED TO
NOV 14 1996
MANUFACTURING



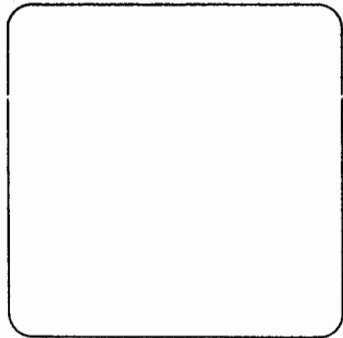
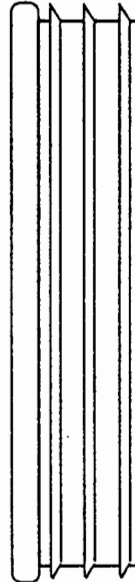
2" x 3" Inner Cap (52)-3



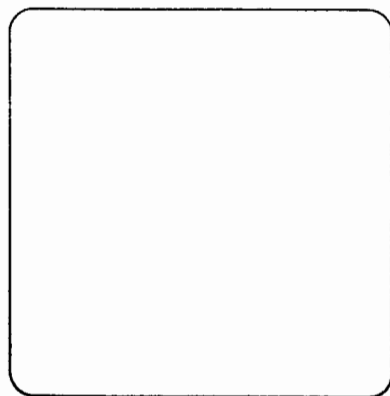
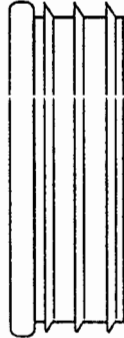
Retainer Tool-1



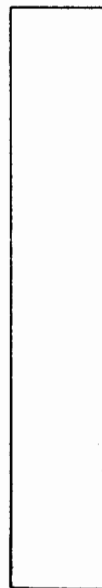
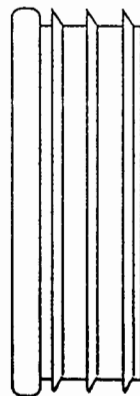
1" x 3" Inner Cap (117)-2



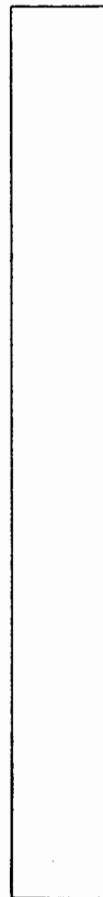
1 3/4" Square Inner Cap (58)-4



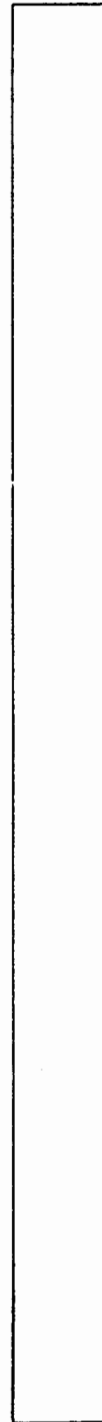
2" Square Inner Cap (28)-3



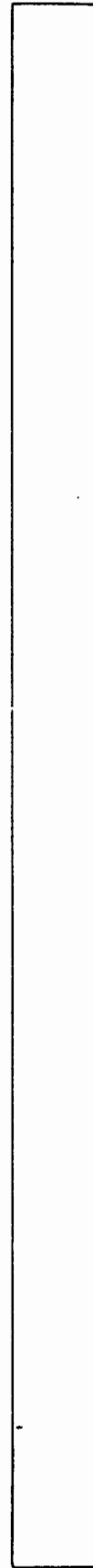
1/2" x 3" Axle (111)-2



1/2" x 4 5/8" Axle (50)-1



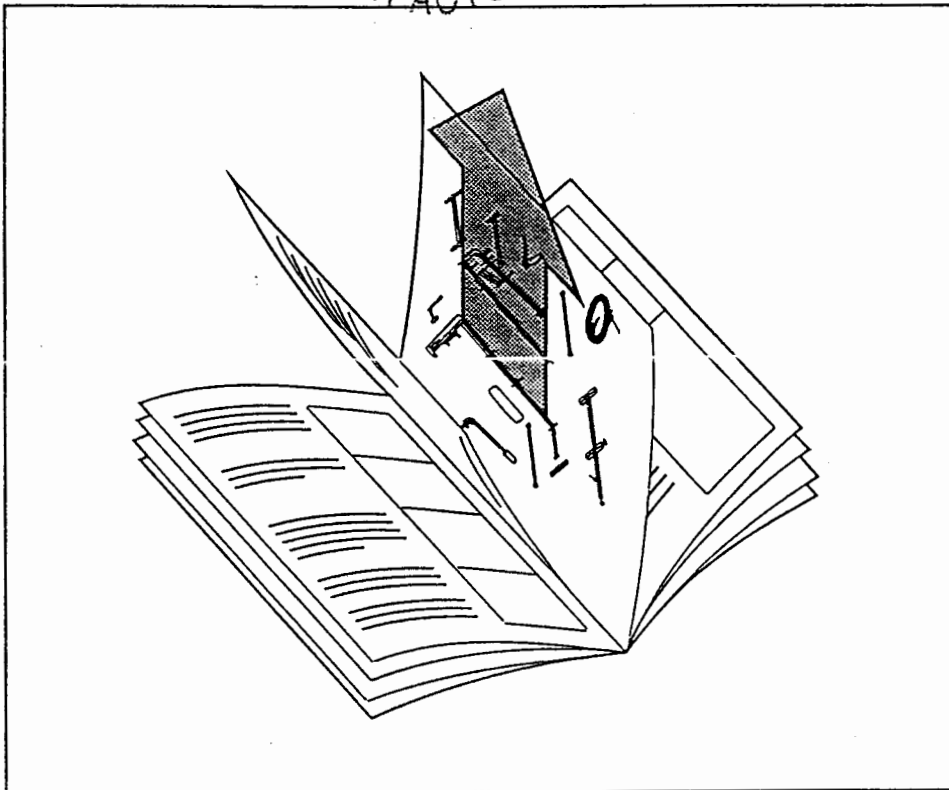
1/2" x 7 3/8" Axle (49)-1



1/2" x 8 7/8" Axle (48)-1

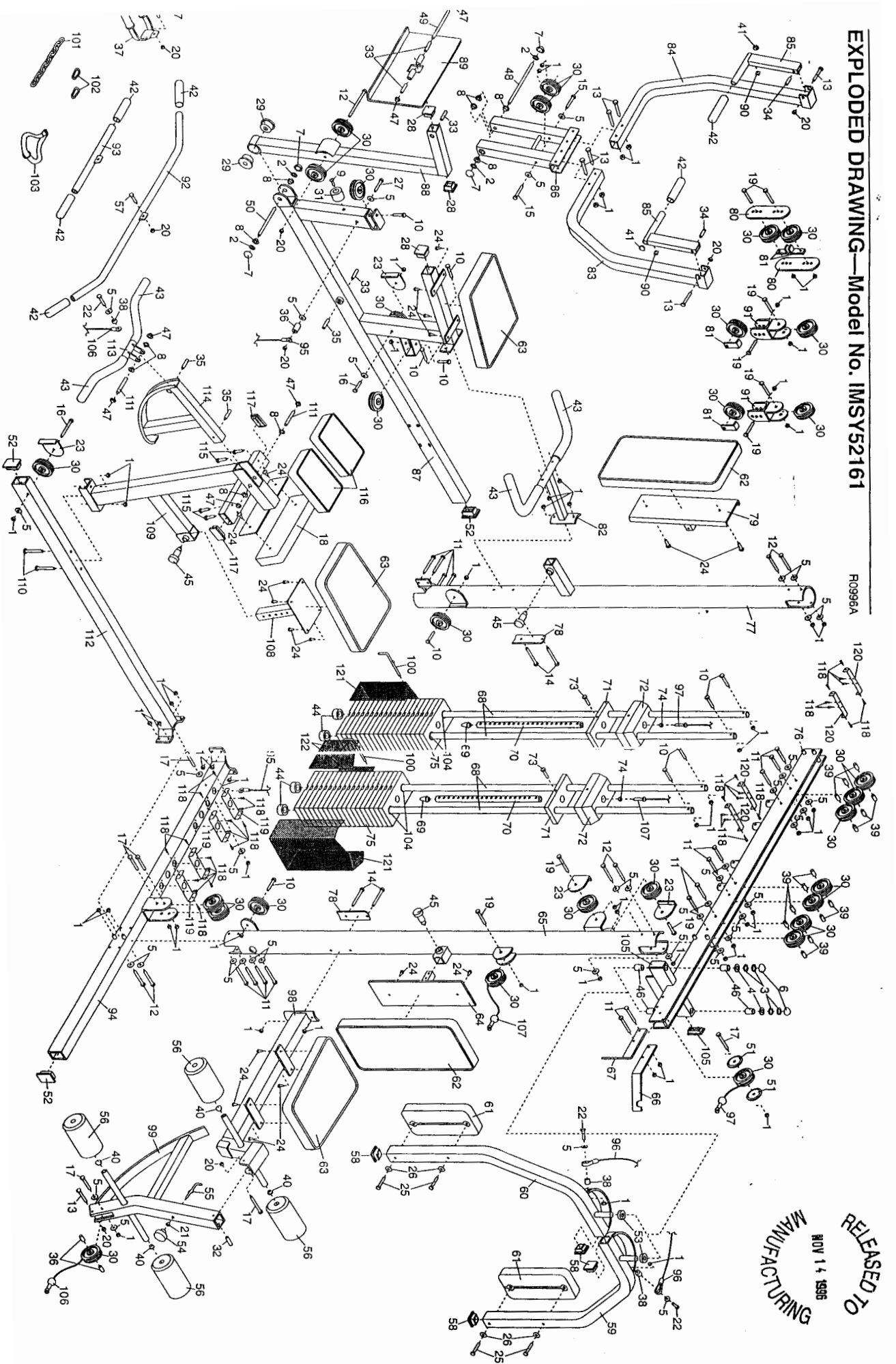
**REMOVE THIS PART LIST/EXPLODED
DRAWING FROM THE MANUAL**

RELEASED TO
NOV 14 1996
MANUFACTURING



EXPLODED DRAWING—Model No. IMSY52161

R0996A



RELEASED TO
NOV 14 1995
MANUFACTURING

PART LIST—Model No. IMSY52161

R0996A

Key No.	Qty.	Description	Key No.	Qty.	Description	Key No.	Qty.	Description
1	62	3/8" Nylon Locknut	51	2	Wheel Spacer	101	1	Chain
2	4	1/2" Retainer	52	3	2" x 3" Inner Cap	102	2	Cable Clip
3	4	3/4" Retainer	53	2	Weld Cover	103	1	Nylon Strap
4	2	1 1/2" x 3/4" Washer	54	1	3/8" Knob	104	76	Weight Insert
5	41	3/8" Washer	55	1	Locking Pin	105	2	2" x 3" Inner Cap
6	2	3/4" Dome Cap	56	4	Foam Pad			(12 Gauge)
7	4	1/2" Dome Cap	57	2	3/8" x 3/4" Bolt	106	1	Curl Cable
8	10	1/2" x 1/4" Bushing	58	4	1 3/4" Square Inner Cap	107	1	Ab Cable
9	1	#8 x 3/4" Screw	59	1	Left Butterfly Arm	108	1	Seat Bracket
10	10	3/8" x 1 3/4" Bolt	60	1	Right Butterfly Arm	109	1	Curl Frame
11	18	3/8" x 3" Bolt	61	2	Butterfly Arm Pad	110	2	3/8" x 3 3/4" Crg. Bolt
12	7	3/8" x 4 3/4" Bolt	62	2	Backrest	111	2	1/2" x 3" Axle
13	7	3/8" x 2 1/2" Bolt	63	3	Seat	112	1	Stabilizer
14	4	3/8" x 5" Bolt	64	1	Backrest Plate	113	1	Curl Bar
15	2	3/8" x 3 1/2" Bolt	65	1	Front Upright	114	1	Curl Lever
16	2	3/8" x 3 3/4" Bolt	66	1	Left Support Plate	115	4	1/4" x 1 1/2" Screw
17	6	3/8" x 2 3/4" Bolt	67	1	Right Support Plate	116	2	Arm Pad
18	1	Chest Pad	68	4	Weight Guide	117	2	1" x 3" Inner Cap
19	9	3/8" x 2" Bolt	69	2	Weight Tube Bumper	118	32	1/2" Self-tapping Screw
20	8	3/8" Nylon Jam Nut	70	2	Weight Tube	119	4	Lower Shield Bracket
21	1	3/8" Nut	71	2	Top Weight	120	4	Upper Shield Bracket
22	3	3/8" x 1 1/4" Bolt	72	2	Top Weight Cover	121	2	End Shield
23	4	Pulley Cover	73	2	3/8" x 1 1/2" Allen Bolt	122	2	Mid Shield
24	18	1/4" x 3/4" Screw	74	2	1/2" Nut	#	1	Retainer Tool
25	4	1/4" x 2 1/4" Screw	75	38	Weight	#	1	User's Manual
26	4	1/4" Washer	76	1	Top Frame	#	1	Exercise Guide
27	1	3/8" x 3 1/4" Bolt	77	1	Rear Upright			
28	3	2" Square Inner Cap	78	2	Support Bracket			
29	2	Inner Bushing	79	1	Press Seat Bracket			
30	30	3 1/2" Pulley	80	2	"I"-Plate			
31	1	1" x 3/4" Bumper	81	4	"L"-Bracket			
32	1	5/8" x 2" Bushing	82	1	Press Frame Handle			
33	4	1/2" x 2 1/4" Bushing	83	1	Left Arm			
34	2	5/8" x 1 3/4" Bushing	84	1	Right Arm			
35	3	1/2" x 1.7" Bushing	85	2	Handle			
36	3	5/8" x 1/2" Bushing	86	1	Moment Arm			
37	1	Ab Strap	87	1	Press Frame			
38	3	1/2" x 3/8" Bushing	88	1	Leg Press Arm			
39	14	5/8" x 9/16" Bushing	89	1	Press Plate			
40	4	3/4" Round Inner Cap	90	2	Square Bumper			
41	2	1" Round Inner Cap	91	2	"U"-Bracket			
42	6	Hand Grip 1" x 6"	92	1	Lat Bar			
43	4	Hand Grip 1" x 10"	93	1	Row Bar			
44	4	Weight Bumper	94	1	Base			
45	3	Lock Knob	95	1	Press Cable			
46	4	3/4" x 1 3/4" Spacer	96	1	Butterfly Cable			
47	6	1/2" Hat Cap	97	1	Lat Cable			
48	1	1/2" x 8 7/8" Axle	98	1	Seat Frame			
49	1	1/2" x 7 3/8" Axle	99	1	Leg Lever			
50	1	1/2" x 4 5/8" Axle	100	2	Weight Pin			

Note: "#" indicates a non-illustrated part. Specifications are subject to change without notice.