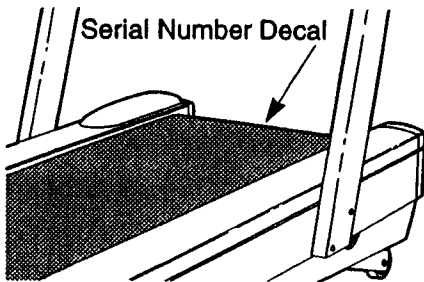


# IMAGE<sup>®</sup> 10.6

Model No. IMTL10650

Serial No. \_\_\_\_\_



## QUESTIONS?

As a manufacturer, we are committed to providing you complete customer satisfaction. If you have questions, or find there are missing or damaged parts, we will guarantee you complete satisfaction through direct assistance from our factory. TO AVOID UNNECESSARY DELAYS, PLEASE CALL DIRECT TO OUR TOLL-FREE CUSTOMER HOT LINE. The trained technicians on our Customer Hot Line will provide immediate assistance, free of charge to you.

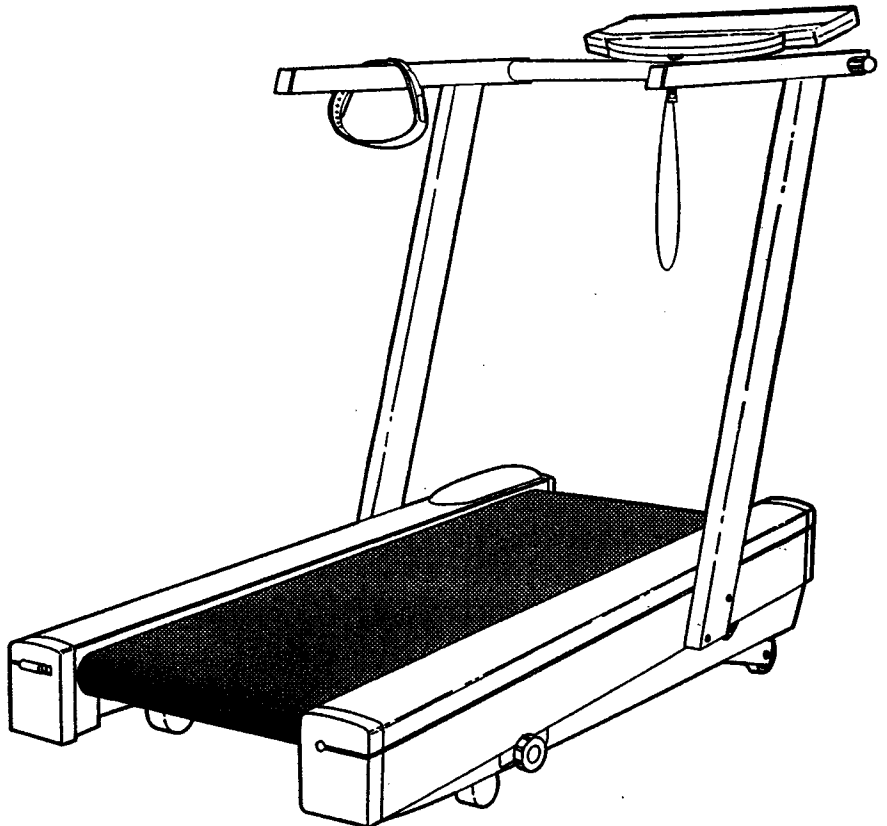
CUSTOMER HOT LINE:

**1-800-999-3756**

Mon.-Fri., 6 a.m.-6 p.m. MST

## ▲ CAUTION:

Read all precautions and instructions in this manual before using this equipment. Save this manual for future reference.



## OWNER'S MANUAL

# IMAGE<sup>®</sup> 10.6

---

## TABLE OF CONTENTS

IMPORTANT PRECAUTIONS .....	3
BEFORE YOU BEGIN .....	4
ASSEMBLY .....	5
HOW TO USE THE PULSE SENSOR .....	7
OPERATION AND ADJUSTMENT .....	8
MANUAL MODE OPERATION .....	10
HOW TO CONTROL THE SPEED .....	10
HOW TO CONTROL THE INCLINE .....	10
HOW TO USE THE FAT CALORIE MONITOR .....	11
PROGRAM MODE OPERATION .....	11
HOW TO USE A PRESET WORKOUT PROGRAM .....	11
HOW TO USE THE PULSE MODE .....	12
HOW TO USE THE FAT BURN AND FAT BURN PLUS PROGRAMS .....	14
HOW TO USE THE FITNESS TEST PROGRAM .....	14
HOW TO CREATE CUSTOM WORKOUT PROGRAMS .....	15
HOW TO USE A CUSTOM WORKOUT PROGRAM .....	16
TROUBLE-SHOOTING AND STORAGE .....	18
CONDITIONING GUIDELINES .....	20
ORDERING REPLACEMENT PARTS .....	Back Cover
WARRANTY .....	Back Cover

Note: There is an EXPLODED DRAWING and PART LIST attached to the center of this manual. Save the EXPLODED DRAWING and PART LIST for future reference.

# IMPORTANT PRECAUTIONS

**⚠ WARNING:** To reduce the risk of burns, fire, electric shock or injury to persons, read the following important precautions and information before operating the treadmill.

1. Position the treadmill on a level surface, with at least 8 feet of clearance behind the treadmill. Do not place the treadmill near water, outdoors or on a surface that blocks any air openings.
2. Do not use the treadmill where aerosol products are used or where oxygen is administered.
3. When connecting the power cord (see HOW TO PLUG IN THE POWER CORD on page 8), plug the power cord directly into a grounded circuit capable of carrying 12 or more amps. No other appliance should be on the same circuit. Keep the power cord away from heated surfaces. If an extension cord is needed, use only a 14-gauge general-purpose cord of five feet or less in length with a three-wire conductor.
4. Never move the walking belt while the power is turned off. Do not operate the treadmill if the power cord or plug is damaged, or if the treadmill is not working properly. (See BEFORE YOU BEGIN on page 4 if the treadmill is not working properly.)
5. Wear appropriate exercise clothing when using the treadmill; do not wear loose clothing that could become caught in the treadmill. *Always wear athletic shoes; never use the treadmill with bare feet, wearing only stockings or in sandals.* Athletic support clothes are recommended for both men and women.
6. Never start the treadmill while you are standing on the walking belt. Always hold the handrail while exercising on the treadmill.
7. The pulse sensor is not a medical device. Various factors, including the user's movement while exercising, may affect the accuracy of heart rate readings. The sensor is intended only as an exercise aid in determining heart rate trends in general.
8. The treadmill should not be used by persons weighing more than 250 pounds. Never allow more than one person on the treadmill at a time.
9. Keep small children away from the treadmill at all times.
10. Never leave the treadmill unattended while it is running. Always remove the safety key when the treadmill is not in use.
11. Never insert any object into any opening.
12. The treadmill is capable of high speeds. Adjust the speed in small increments to avoid sudden jumps in speed.
13. Use the treadmill only as described in this manual.
14. Always unplug the power cord before performing the maintenance and adjustment procedures described in this manual. Never remove the safety cover unless instructed to do so by an authorized service representative. Servicing other than the procedures in this manual should be performed by an authorized service representative only.

**⚠ WARNING:** Before beginning this or any exercise program, consult your physician. This is especially important for persons over the age of 35 or persons with pre-existing health problems. Read all instructions before using. ICON assumes no responsibility for personal injury or property damage sustained by or through the use of this product.

## SAVE THESE INSTRUCTIONS

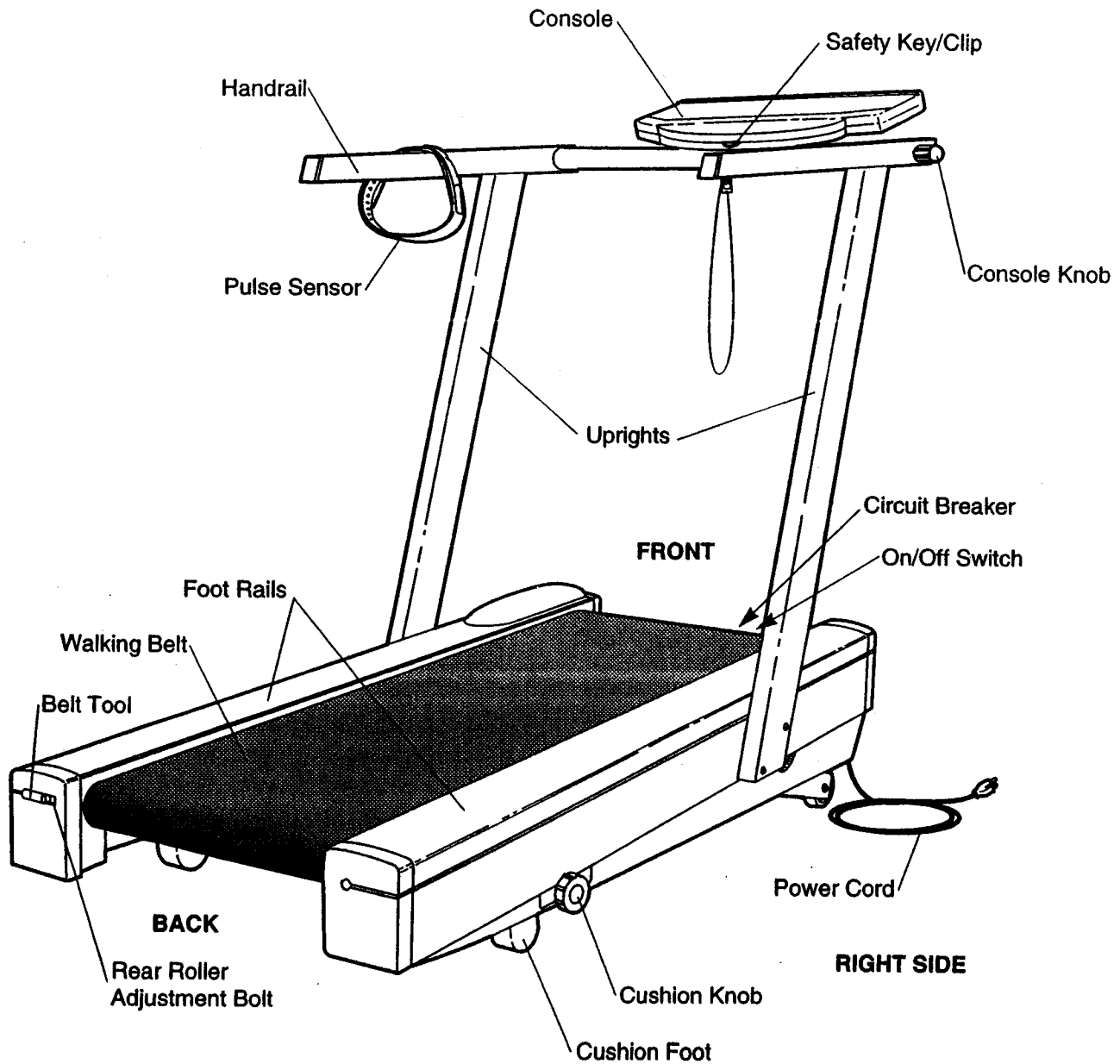
# BEFORE YOU BEGIN

Thank you for selecting the IMAGE® 10.6 treadmill. The sophisticated IMAGE 10.6 treadmill blends state-of-the-art technology with innovative design to let you enjoy a motivating and effective form of exercise in the convenience and privacy of your home.

**For your benefit, read this manual carefully before using the treadmill.** If you have additional questions, please call our Customer Service Department toll-free at 1-800-999-3756, Monday through Friday, 6 a.m. until 6 p.m. Mountain Time (excluding holidays). To

help us assist you, please note the product model number and serial number before calling. The model number of the treadmill is IMTL10650. The serial number can be found on a decal attached to the treadmill (see the front cover of this manual for the location of the decal).

Before reading further, please review the drawing below and familiarize yourself with the parts that are labeled.



# ASSEMBLY

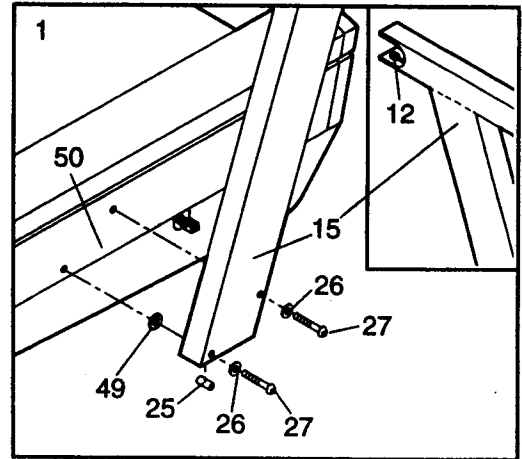
**Assembly requires the assistance of a second person.** Set the treadmill in a cleared area and remove all packing materials. Do not dispose of the packing materials until assembly is completed.

**THE INCLUDED 7/32" ALLEN WRENCH  IS NEEDED FOR ASSEMBLY.**

1. Find the Right Upright (15), which contains the Upright Wire Harness (12) (see the inset drawing). Hold an Upright Spacer (25) inside the lower end of the Right Upright. Insert a 3/8" x 3 1/2" Bolt (27), with one of the four Upright Washers (26), into the lower hole in the Right Upright, and through the Upright Spacer. Slide a Star Washer (49) onto the Bolt. **Finger tighten** the Bolt into the indicated hole in the Frame (50).

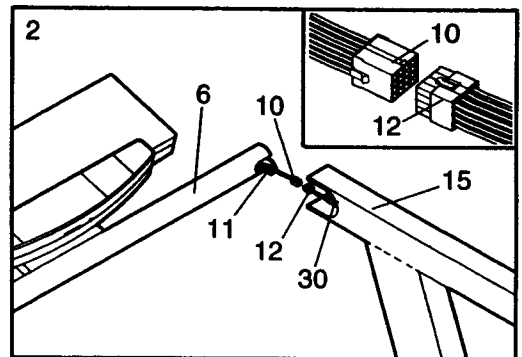
Insert a 3/8" x 3 1/2" Bolt (27), with an Upright Washer (26), through the other hole in the lower end of the Right Upright (15). **Finger tighten** the Bolt into the Frame (50).

Attach the Left Upright (not shown) in the same manner.

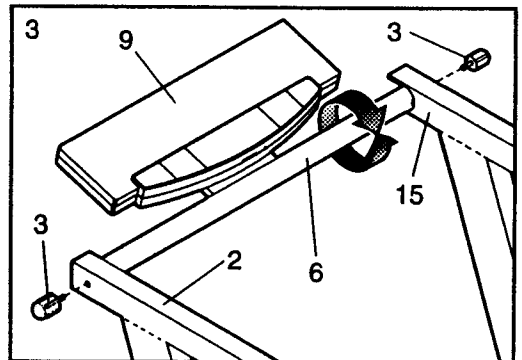


2. Hold the right end of the Console Crossbar (6) near the Right Upright (15). Connect the Console Wire Harness (10) to the Upright Wire Harness (12). The small latch on the Console Wire Harness should snap onto the Upright Wire Harness (see the inset drawing). If the Wire Harnesses do not fit together easily, turn them; do not force the Wire Harnesses together.

Adjust the 24" Cable Loom (11) and the 6" Cable Loom (30) so that the ends of the Wire Harnesses (10, 12) are covered. Insert the Cable Looms into the Right Upright (15). **Be careful not to damage the Wire Harnesses.**

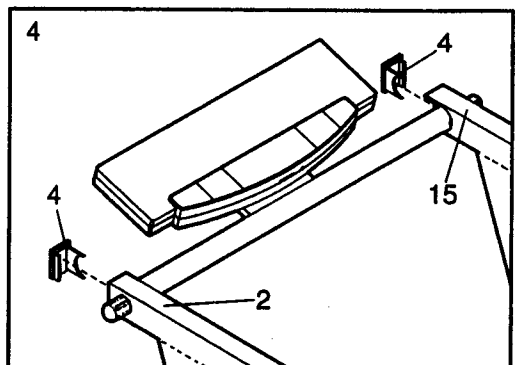


3. Slide the ends of the Console Crossbar (6) into the Right and Left Uprights (15, 2) as shown. Insert a Console Knob (3) into each Upright, and thread the Console Knobs into the ends of the Console Crossbar. Rotate the Console (9) to the desired angle, and tighten the Console Knobs.



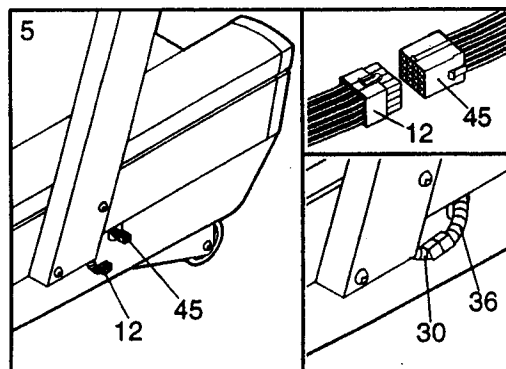
4. Tap an Upright Endcap (4) into each of the Uprights (15, 2).

**See assembly step 1.** Using the included 7/32" allen wrench, tighten the four 3/8" x 3 1/2" Bolts (27).



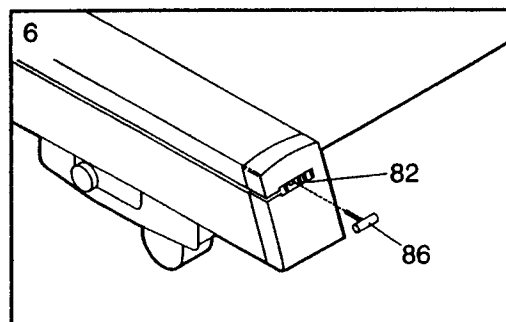
5. Plug the lower end of the Upright Wire Harness (12) into the 20" Wire Harness (45). The small latch on the Upright Wire Harness should snap onto the 20" Wire Harness (see the upper inset drawing). If the Wire Harnesses do not fit together easily, turn them; do not force the Wire Harnesses together.

Slide the ends of the 6" Cable Loom (30) and the 12" Cable Loom (36) against the ends of the Wire Harnesses (12, 45) (see the lower inset drawing). **Be careful not to damage the Wire Harnesses.**



6. Press the Belt Tool (86) into the opening in the Left Rear Endcap (82). The use of the Belt Tool is explained on page 19.

Make sure that all parts are tightened before using the treadmill. The use of all remaining parts will be explained in other sections of this manual. **Note: Cover the floor under the treadmill for protection.**



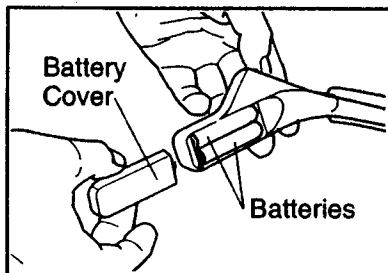
# HOW TO USE THE PULSE SENSOR

The IMAGE 10.6 treadmill features a state-of-the-art cordless pulse sensor. The pulse sensor is specially designed for greater accuracy, comfort and durability. **Please read the following instructions before using the pulse sensor.**

## HOW TO INSTALL BATTERIES

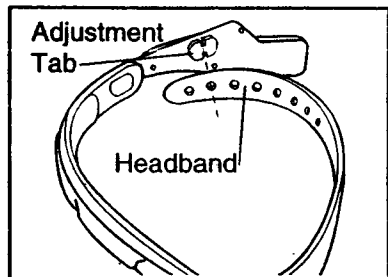
The pulse sensor requires **two "AAA" batteries.**

Alkaline batteries are recommended. Slide off the battery cover. Note the markings inside the battery compartment showing which direction the batteries must be turned. Insert two "AAA" batteries. Close the battery cover.



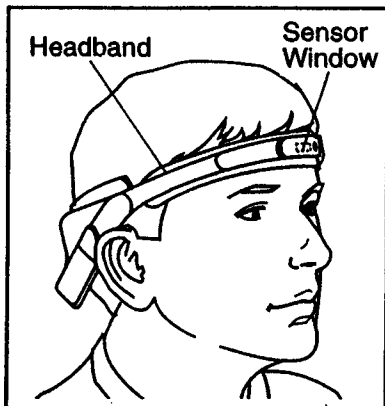
## HOW TO ADJUST THE HEADBAND

For the pulse sensor to function properly, the headband must fit snugly around your head, without being uncomfortable. Adjust the headband by inserting the adjustment tab through the appropriate hole in the headband.



## HOW TO PUT ON THE PULSE SENSOR

Rub your forehead to stimulate circulation. Put on the headband as shown at the right, with the sensor window centered on your forehead. The small button next to the sensor window must be



depressed. Make sure that there is no hair in front of the pulse sensor or between the sensor window and your forehead.

## HOW TO OBTAIN ACCURATE PULSE READINGS

The instructions on page 10 explain how the pulse sensor is used with the console (see HOW TO USE THE PULSE DISPLAY). For the best results, remember the following important guidelines:

- Before putting on the headband, rub your forehead to stimulate circulation.
- Make sure that the headband is properly adjusted; if the headband is too loose or too tight, your pulse may not be detected.
- The headband must be worn properly, with the sensor window centered on your forehead. The small button next to the sensor window must be depressed. Make sure that there is no hair in front of the pulse sensor or between the sensor window and your forehead. Make-up applied to the forehead may also interfere with pulse readings.

Note: If the pulse sensor does not detect your pulse when the sensor window is centered on your forehead, try positioning the sensor window above your right or left eyebrow. Depending on the shape of your forehead, your pulse may be detected more easily from a slightly different position.

- Avoid turning your head more than 30° away from the console, or the console may not pick up the signal from the pulse sensor.
- The sensor window should be cleaned weekly when the treadmill is used regularly. Moisten a cotton swab with water, and carefully wipe the sensor window.
- Because your pulse constantly changes, the pulse sensor will sample and average your pulse every few seconds. When you first put on the pulse sensor, it may take up to ten seconds before an accurate pulse is shown.
- If the pulse sensor does not function properly, check the batteries (see HOW TO INSTALL BATTERIES on this page).

## HOW TO CLEAN THE PULSE SENSOR

To clean the pulse sensor, first remove the headband. Wipe the pulse sensor clean with a damp cloth; **never immerse the pulse sensor in water.**

To clean the headband, hand wash it in mild detergent and gently wring it out.

# OPERATION AND ADJUSTMENT

## THE MAINTENANCE-FREE WALKING BELT

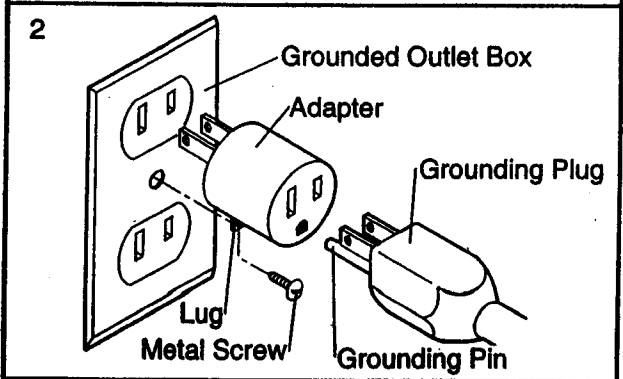
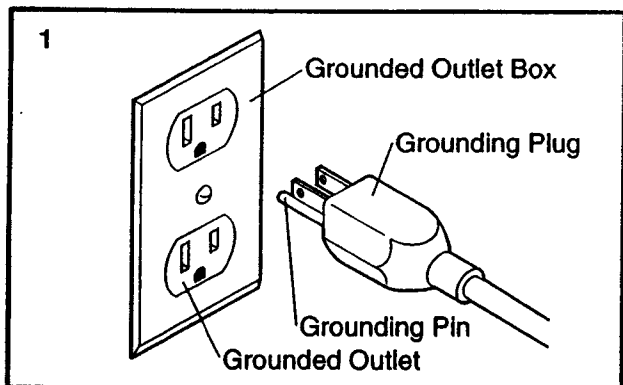
The treadmill features a maintenance-free walking belt. **Never apply silicone spray or other substances to the walking belt or the walking platform; such substances will deteriorate the walking belt and cause excessive wear.**

## HOW TO PLUG IN THE POWER CORD

**This product must be grounded.** If it should malfunction or break down, grounding provides a path of least resistance for electric current to reduce the risk of electric shock. This product is equipped with a cord having an equipment-grounding conductor and a grounding plug. **Plug the power cord into an appropriate outlet that is properly installed and grounded in accordance with all local codes and ordinances.**

**⚠ DANGER:** Improper connection of the equipment-grounding conductor can result in a risk of electric shock. Check with a qualified electrician or serviceman if you are in doubt as to whether the product is properly grounded. Do not modify the plug provided with the product—if it **w!!!** not fit the outlet, have a proper outlet installed by a qualified electrician.

This product is for use on a nominal 120-volt circuit, and has a grounding plug that looks like the plug illustrated in drawing 1 below.

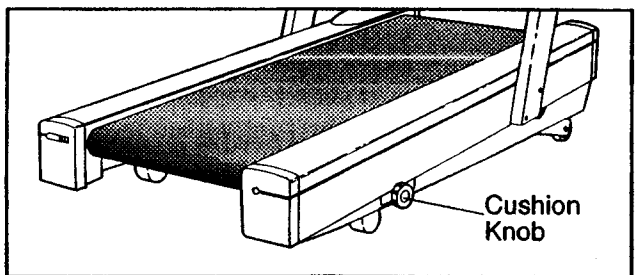


A temporary adapter that looks like the adapter illustrated in drawing 2 may be used to connect this plug to a 2-pole receptacle as shown in drawing 2 if a properly grounded outlet is not available. The temporary adapter should be used only until a properly grounded outlet (drawing 1) can be installed by a qualified electrician. The green-colored rigid ear, lug, or the like extending from the adapter must be connected to a permanent ground such as a properly grounded outlet box cover. Whenever the adapter is used it must be held in place by a metal screw.

**Some 2-pole receptacle outlet box covers are not grounded. Contact a qualified electrician to determine if the outlet box cover is grounded before using an adapter.**

## HOW TO ADJUST THE CUSHION LEVEL

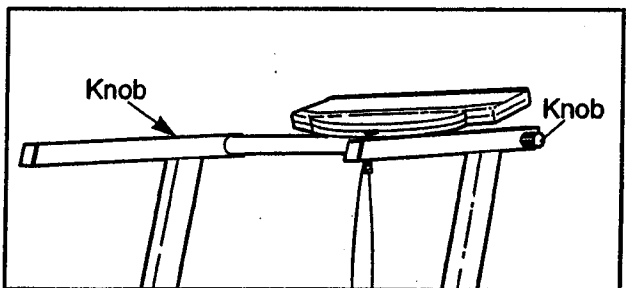
The rear legs of the treadmill are designed to cushion the impact as you walk or run on the treadmill. The legs can be adjusted for a firmer or softer cushion level using the knob on the right side of the treadmill (see the drawing below).



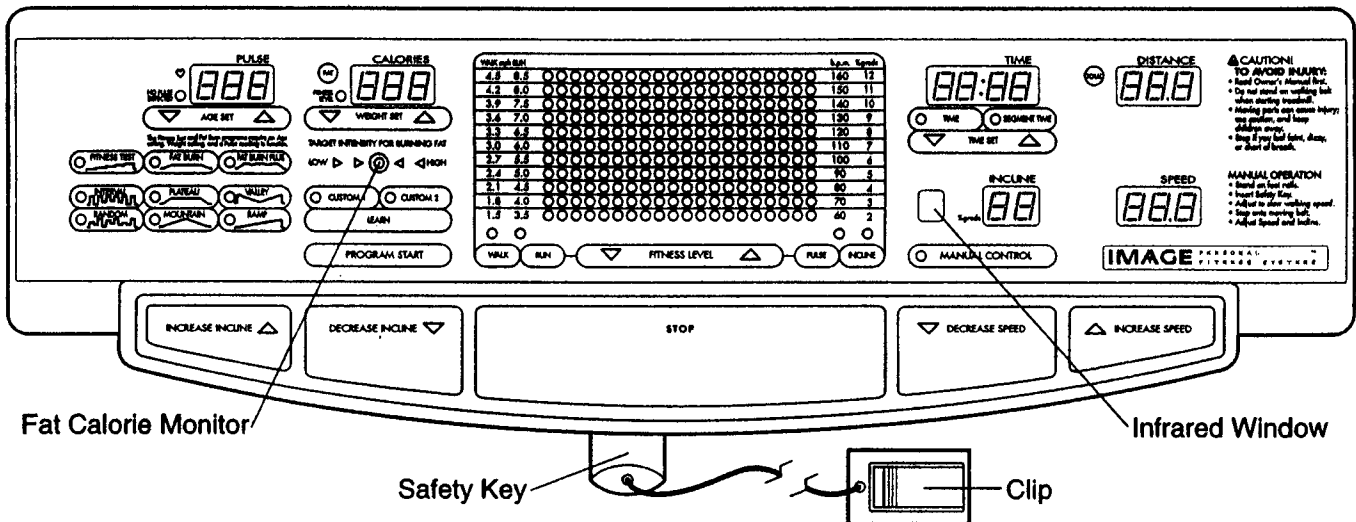
For a firmer cushion level, turn the knob clockwise; for a softer cushion level, turn the knob counterclockwise. Note: The faster you run on the treadmill, the firmer the cushion level should be. If the cushion level is too soft, the treadmill will bounce excessively.

## HOW TO ADJUST THE ANGLE OF THE CONSOLE

The angle of the console can be adjusted, if desired. Loosen the knob on each end of the console cross-bar. Rotate the console to the desired angle, and retighten the knobs.



## DIAGRAM OF THE CONSOLE



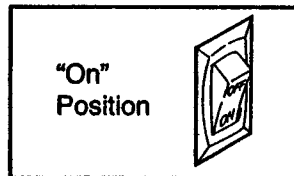
## THE FEATURES OF THE CONSOLE

The treadmill console offers an impressive array of features to make your workouts more effective and enjoyable. In the manual mode, the speed and incline of the treadmill can be changed with a touch of a button. As you exercise, six displays will provide continuous exercise feedback. If your goal is to burn fat, the built-in Fat Calorie Monitor will show you when your exercise intensity is too low, too high, or perfect for burning fat. In the program mode, the console offers six preset workout programs and two special fat burning programs, each designed to guide you through a different type of workout. In addition, there is a unique **FITNESS TEST** program that measures your relative fitness level. You can even create your own workout programs, and save them in the console's memory.

**Carefully read these instructions before operating the console.** Note: If there is a thin sheet of clear plastic on the face of the console, peel it off.

### HOW TO TURN ON THE POWER

If the safety key is in the console, remove it. Make sure that the on/off switch located near the power cord is in the "on" position.



Plug in the power cord (see **HOW TO PLUG IN THE POWER CORD** on page 8). All displays and indicators will flash three times. Note: If the safety key is in the console when the power cord is plugged in, the letters "PO" will flash in the SPEED display. If this occurs, remove the safety key.

Stand on the foot rails of the treadmill. Find the clip attached to the safety key, and slide the clip onto the waistband of your clothing. Insert the safety key into

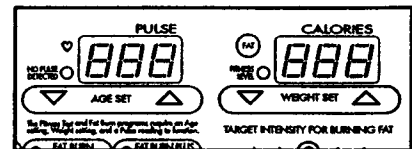
the console. The **NO PULSE DETECTED** indicator, the **MANUAL CONTROL** indicator, the **TIME** indicator, and the six displays will light. The **PULSE** display will flash the letters "AGE" three times, and the **CALORIES** display will flash the letters "LbS" (pounds) three times.

**⚠ WARNING:** Stand on the foot rails when turning on the power or starting the walking belt. Always wear the clip while using the treadmill.

### HOW TO ENTER YOUR AGE AND WEIGHT

For some of the console's features to function properly, your age and weight must be entered into the console. If you have not entered your age and weight, follow the instructions below.

Press one of the **AGE SET** buttons. The letters "AGE" will flash in the **PULSE** display. Press the **AGE SET** buttons again to enter your age. The first time one of the buttons is pressed, the current age setting will be shown. The age setting will then change by 1 year each time one of the buttons is pressed. If one of the buttons is held down, the age setting will change in increments of 5 years.



After you have entered your age, press the **WEIGHT SET** buttons to enter your weight. The first time one of the buttons is pressed, the current weight setting will be shown in the **CALORIES** display. The weight setting will then change by 1 pound each time one of the buttons is pressed. If one of the buttons is held down, the weight setting will change in increments of 5 pounds.

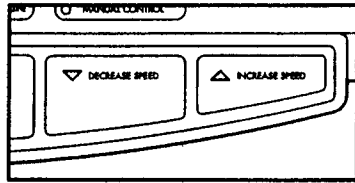
*Once you have entered your age and weight, they will be saved in the console's memory, even if the power cord is unplugged.*

# MANUAL MODE OPERATION

## HOW TO CONTROL THE SPEED

When the power is turned on, the console will be in the manual mode. For your safety, the walking belt will be stationary.

The speed range of the treadmill is 0.5 to 10 miles per hour. The speed is controlled with the INCREASE



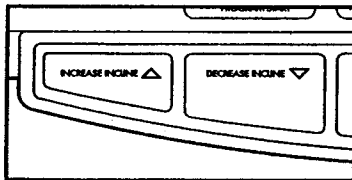
SPEED and DECREASE SPEED buttons. Each time one of the buttons is pressed, the speed will change by 0.1 mph. The buttons can be held down to change the speed rapidly.

**WARNING:** After the SPEED buttons are pressed, it will take a moment for the walking belt to reach the selected speed setting. Adjust the speed in small increments until you are familiar with the treadmill.

Press the INCREASE SPEED button until the walking belt is moving at slow speed. Hold the handrails, step carefully onto the walking belt and begin exercising. Change the speed of the walking belt as desired by pressing the INCREASE SPEED and DECREASE SPEED buttons. To stop the walking belt, press the STOP button.

## HOW TO CONTROL THE INCLINE

The incline range of the treadmill is 1% to 12%. The incline is controlled with the INCREASE INCLINE and



DECREASE INCLINE buttons. Each time one of the buttons is pressed, the incline will change by 0.5%. The buttons can be held down to change the incline rapidly.

Note: After the INCLINE buttons are pressed, it will take a few seconds for the treadmill to reach the selected incline setting. Because the INCLINE display has two digits, the display will show 10% when the incline is set at either 10% or 10.5%, and 11% when the incline is set at either 11% or 11.5%.

## HOW TO USE THE PULSE DISPLAY

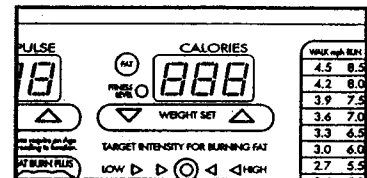
Put on the pulse sensor (see HOW TO USE THE PULSE SENSOR on page 7). After a few seconds, the

heart-shaped indicator beside the PULSE display will flash each time your heart beats, the NO PULSE DETECTED indicator will darken, and your pulse will be shown. Note: Because your pulse constantly changes, the pulse sensor will sample and average your pulse every few seconds. It may take up to ten seconds before an accurate pulse is shown. If your pulse is not shown, see HOW TO OBTAIN ACCURATE PULSE READINGS on page 7.

## HOW TO USE THE CALORIES DISPLAY

For the CALORIES display to be accurate, your age and weight must be entered into the console. If you have not entered your age and weight, see HOW TO ENTER YOUR AGE AND WEIGHT on page 9. The CALORIES display will show the approximate number of calories you have burned.

To find the number of fat calories you have burned (see BURNING FAT on page 20), press the FAT button beside the CALORIES display. The approximate number of fat calories you have burned will be shown for three seconds.

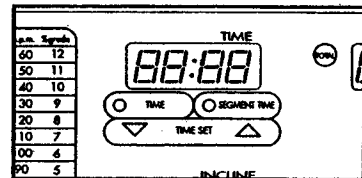


## HOW TO USE THE TIME DISPLAY

The TIME display will show how long the walking belt has been moving.

If desired, a time goal can be set. First, stop the walking belt. Press the TIME SET buttons to set the length of time that you plan

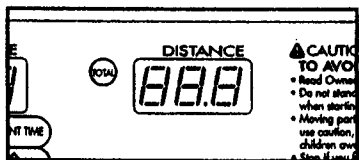
to exercise. Each time one of the buttons is pressed, the time goal will change by 10 seconds. If one of the buttons is held down, the time goal will change in increments of 1 minute. As you exercise, the time will be counted down. When no time remains, the walking belt will slow to a stop. Note: The purpose of the SEGMENT TIME button will be explained later. If the FITNESS TEST program is selected, the TIME display will be reset to zero. The display will be reset again when the program is completed.



## HOW TO USE THE DISTANCE DISPLAY

The DISTANCE display will show the distance that you have walked or run, in miles. Note: If the FITNESS TEST program is selected, the DISTANCE display will be reset to zero. The display will be reset again when the program is completed.

The console also keeps track of the total number of miles accumulated since the treadmill was purchased. To find this number, press the TOTAL button beside the DISTANCE display. The total number of miles will be shown for three seconds. Note: When the total exceeds 999 miles, the DISTANCE display will be reset to zero.

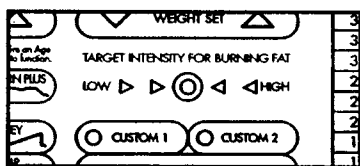


### HOW TO USE THE FAT CALORIE MONITOR

If you want to burn fat, the built-in Fat Calorie Monitor is designed to help you reach your goal. As you exercise, your body can burn either *fat calories* or *carbohydrate calories*, depending on the intensity of your exercise (see BURNING FAT on page 20). The Fat Calorie Monitor will show you when your exercise intensity is too low, too high, or perfect for burning fat.

For the Fat Calorie Monitor to be accurate, your age and weight must be entered into the console. If you have not entered your age and weight, see HOW TO ENTER YOUR AGE AND WEIGHT on page 9. In addition, the pulse sensor must be worn (see HOW TO USE THE PULSE DISPLAY on page 10).

As you exercise, one of the five indicators above the CUSTOM 1 and CUSTOM 2 buttons will light.



The two red indicators on the left indicate that your intensity is too low for burning fat effectively. The two red indicators on the right indicate that your intensity is too high for burning fat effectively. When your intensity is perfect for burning fat, the green indicator in the center will light. Adjust the speed or incline of the treadmill so that the green indicator remains lit. *Note: After adjusting the speed or incline, wait for about one minute before adjusting the speed or incline again. This will allow time for your pulse to respond to the new speed or incline setting.*

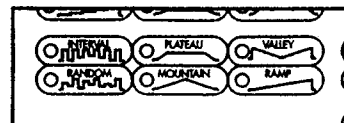
## PROGRAM MODE OPERATION

When the console is in the program mode, you can choose any of six preset workout programs, each designed to guide you through a different type of workout. If your goal is to burn fat, two additional programs are included just for you—the FAT BURN and FAT BURN PLUS programs. Or, you can select the unique FITNESS TEST program, and measure your relative fitness level. You can even create your own custom workout programs, and save them in the console's memory.

### HOW TO USE A PRESET WORKOUT PROGRAM

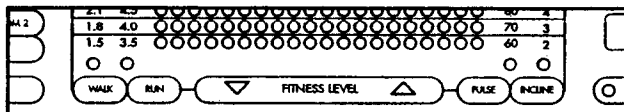
#### 1. Select one of the preset workout programs

Press the INTERVAL, PLATEAU, VALLEY, RANDOM, MOUNTAIN, or RAMP button.



The indicator on the button you press will light. Note: If the walking belt is moving, it will slow to a stop.

#### 2. Select one of the modes (WALK, RUN, INCLINE, WALK/INCLINE, or RUN/INCLINE)



When a preset workout program is selected, the WALK and INCLINE indicators will light. When both the WALK and INCLINE modes are selected, the console will automatically control the *speed and incline* of the treadmill during the program, and the speed range will be 1.5 to 4.5 mph. If you want the speed range to be 3.5 to 8.5 mph, press the RUN button. The WALK indicator will darken, and the RUN indicator will light.

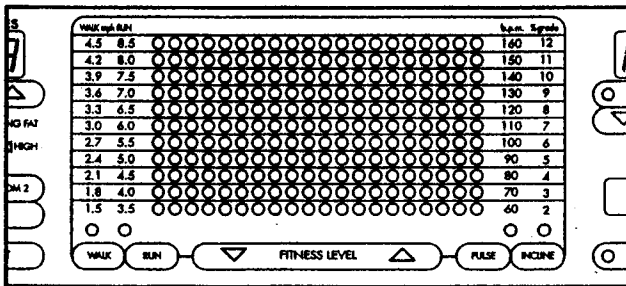
If you want the console to automatically control *only the speed* of the treadmill during the program, press the INCLINE button. The INCLINE indicator will darken. (The incline can then be controlled manually during the program with the INCREASE INCLINE and DECREASE INCLINE buttons).

If you want the console to automatically control *only the incline* of the treadmill during the program, press the INCLINE button and then press the RUN button. The INCLINE indicator will light, and the RUN indicator will darken. (The speed can then be controlled manually during the program with the INCREASE SPEED and DECREASE SPEED buttons).

*Note: To select the PULSE mode, see HOW TO USE THE PULSE MODE on page 12.*

### 3. The program settings

Each program is divided into twenty equal time periods, called segments. One speed setting and/or one incline setting (depending on which mode[s] you selected) are programmed for each segment. The speed and/or incline settings of the program you have selected are shown in the columns of indicators in the center of the console. The setting(s) of the first segment are shown in the far left column, and the setting(s) of the twentieth segment are shown in the far right column



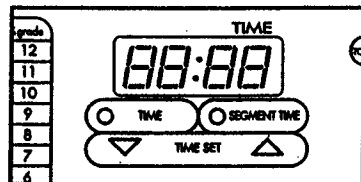
If you selected the WALK or RUN mode, red indicators will show the speed setting of each segment. If you selected the INCLINE mode, green indicators will show the incline setting of each segment. If you selected the WALK and INCLINE modes or the RUN and INCLINE modes, both red and green indicators will be lit.

### 4. Adjust the difficulty level of the program

If desired, the difficulty level of the program can be adjusted with the FITNESS LEVEL buttons (see the drawing above). Each time the FITNESS LEVEL increase button is pressed, the speed and/or incline settings of all segments will increase. Each time the FITNESS LEVEL decrease button is pressed, the speed and/or incline settings of all segments will decrease. Note: The difficulty level of the program can be increased only until the highest indicator in any of the columns is lit, and decreased only until the lowest indicator in any of the columns is lit.

### 5. Set the program time

The program is set to last for 20 minutes, as shown in the TIME display. The length of time can be changed, if desired, with the

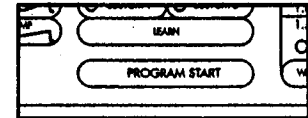


TIME SET buttons. Each time one of the buttons is pressed, the length of time will change by 20 seconds. If one of the buttons is held down, the length of time will change in increments of 1 minute. The program can be set to last for a minimum of 5 minutes, up to a maximum of 80 minutes. (If the SEGMENT TIME but-

ton is pressed, the TIME display will show how many seconds *each of the twenty segments* will last.)

### 6. Start the program

Stand on the foot rails of the treadmill and press the PROGRAM START button. The first column of indicators will



begin to flash, and the treadmill will automatically adjust to the speed and/or incline setting(s) of the first segment. Carefully step onto the walking belt and begin exercising. Note: If you selected the INCLINE mode, the walking belt will begin to move at 1.0 mph. The speed can then be controlled during the program with the INCREASE SPEED and DECREASE SPEED buttons. If you selected the WALK or RUN mode, the incline can be controlled with the INCREASE INCLINE and DECREASE INCLINE buttons.

The time remaining in the program will be shown in the TIME display. (If the SEGMENT TIME button is pressed, the number of seconds remaining in the first segment will be shown). During the last three seconds of the first segment, the TIME display will flash three times. When the first segment is completed, the second column of indicators will begin to flash, and the treadmill will automatically adjust to the speed and/or incline setting(s) of the second segment. The program will continue in this manner until the twentieth column is flashing and no time remains. The walking belt will then slow to a stop.

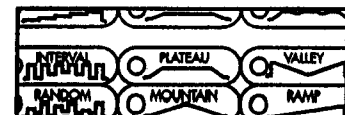
Note: During the program, the difficulty level of the program can be adjusted with the FITNESS LEVEL buttons. The length of time that the program will last can be changed with the TIME SET buttons. The program can be stopped at any time with the STOP button. The console will then be in the same state as if the program had been completed.

### HOW TO USE THE PULSE MODE

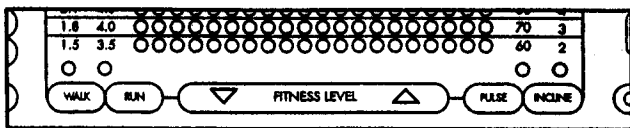
**WARNING:** If you have heart problems, or if you are over 60 years of age and have been inactive, *do not use the PULSE mode*. If you are taking medication regularly, consult your physician to find whether the medication will affect your exercise heart rate before using the PULSE mode. Follow the steps below to use the PULSE mode.

#### 1. Select the PLATEAU program

Press the PLATEAU button. The indicator on the button will light. Note: If the walking belt is moving, it will slow to a stop.

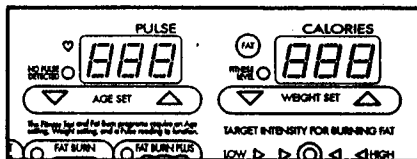


## 2. Select the PULSE mode



Press the PULSE button. The PULSE indicator will light, and the WALK, RUN and INCLINE indicators will darken.

When the PULSE mode is selected, the letters "AGE" will flash in the PULSE display, and the letters "Lbs" will flash in the CALORIES display.



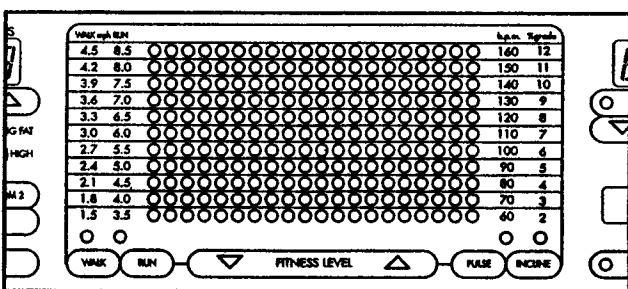
If you have not entered your age and weight into the console, see HOW TO ENTER YOUR AGE AND WEIGHT on page 9. If you have already entered your age and weight, simply press one of the AGE SET buttons, and then press one of the WEIGHT SET buttons.

## 3. Put on the pulse sensor

See HOW TO USE THE PULSE DISPLAY on page 10.

## 4. The program settings

Each program is divided into twenty equal time periods, called segments. One pulse setting is programmed for each segment. The pulse settings of the program you have selected are shown in the columns of indicators in the center of the console. Red indicators will show the pulse setting of each segment.



## 5. Adjust the difficulty level of the program

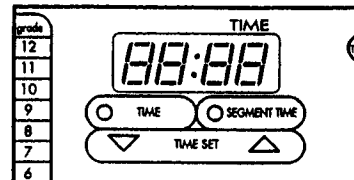
If desired, the difficulty level of the program can be adjusted with the FITNESS LEVEL buttons (see the drawing above). Each time the FITNESS LEVEL increase button is pressed, the pulse settings of all segments will increase. Each time the FITNESS LEVEL decrease button is pressed, the pulse settings of all segments will decrease. Note: The difficulty level of the program can be increased only until the highest indicator in any of the columns is lit, and decreased

only until the lowest indicator in any of the columns is lit. In addition, there may be a limit to how far the difficulty level can be adjusted depending on your age.

**WARNING:** Do not increase the pulse settings more than 30 beats per minute.

## 6. Set the program time

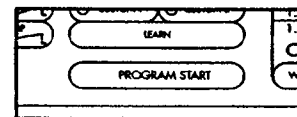
The program is set to last for 20 minutes, as shown in the TIME display. The program can be set to last for different length



of time, if desired, with the TIME SET buttons. Each time one of the buttons is pressed, the length of time will change by 20 seconds. If one of the buttons is held down, the length of time will change in increments of 1 minute. The program can be set to last for a minimum of 20 minutes, up to a maximum of 80 minutes. (If the SEGMENT TIME button is pressed, the TIME display will show how many seconds each of the twenty segments will last.)

## 7. Start the program

Stand on the foot rails of the treadmill and press the PROGRAM START button. The first column of indicators will



begin to flash. When the walking belt begins to move, carefully step onto the walking belt and begin exercising. The console will automatically change the speed and/or incline of the treadmill at any time to keep your pulse near the setting of the first segment. The SPEED or INCLINE display will flash three times to warn you each time the speed or incline is about to change.

The time remaining in the program will be shown in the TIME display. (If the SEGMENT TIME button is pressed, the number of seconds remaining in the current segment will be shown). During the last three seconds of the first segment, the TIME display will flash three times. When the first segment is completed, the second column of indicators will begin to flash. The console will then change the speed and/or incline of the treadmill at any time to keep your pulse near the setting of the second segment. The program will continue in this manner until the twentieth column is flashing, and no time remains. The walking belt will then slow to a stop.

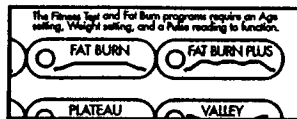
Note: During the program, the difficulty level of the program can be adjusted with the FITNESS LEVEL buttons. The speed of the treadmill can be changed with the INCREASE SPEED and DECREASE SPEED buttons. The incline of the treadmill can be changed

with the INCREASE INCLINE and DECREASE INCLINE buttons. However, if you increase the speed, the incline will automatically decrease; if you decrease the speed, the incline will automatically increase. The console will always attempt to keep your pulse near the setting of the current segment. If your pulse is not detected for one minute, the speed of the treadmill will automatically decrease by half. If your pulse is not detected for a second minute, the speed will decrease by half again. If your pulse is not detected for three minutes, the walking belt will slow to a stop. The program can be stopped at any time with the STOP button. The console will then be in the same state as if the program had been completed.

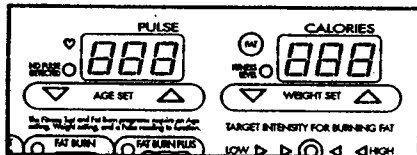
## HOW TO USE THE FAT BURN AND FAT BURN PLUS PROGRAMS

### 1. Select the FAT BURN or FAT BURN PLUS program

Press the FAT BURN or FAT BURN PLUS button. The indicator on the button you press will light. Note: If the walking belt is moving, it will slow to a stop.



When the FAT BURN or FAT BURN PLUS button is



pressed, the letters "AGE" will flash in the PULSE display, and the letters "LbS" will flash in the CALORIES display. If you have not entered your age and weight into the console, see HOW TO ENTER YOUR AGE AND WEIGHT on page 9. If you have already entered your age and weight, simply press one of the AGE SET buttons, and then press one of the WEIGHT SET buttons.

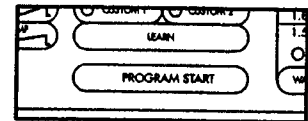
When the FAT BURN or FAT BURN PLUS program is selected, the WALK and INCLINE indicators will light. During these programs, the console will automatically control the speed and incline of the treadmill, and the speed range will be 1.5 to 4.5 mph. The RUN and PULSE modes cannot be selected.

Each program is divided into twenty equal time periods, called segments. One speed setting and one incline setting are programmed for each segment. The speed and incline settings of the program you have selected are shown in the columns of indicators in the center of the console. Red indicators will show the speed setting of each segment, and green indicators will show the incline setting of each segment. The speed and incline settings are optimal for maximum fat burning. The difficulty level of the program cannot be changed with the FITNESS LEVEL buttons.

The FAT BURN program is set to last for 40 minutes, as shown in the TIME display. (If the SEGMENT TIME button is pressed, the TIME display will show that each segment is set to last for 120 seconds.) The FAT BURN PLUS program is set to last for 60 minutes. (Each segment is set to last for 180 seconds.) The time settings of these programs cannot be changed.

### 2. Start the program

Stand on the foot rails of the treadmill and press the PROGRAM START button. The



first column of indicators will begin to flash, and the treadmill will automatically adjust to the speed and incline setting of the first segment. Carefully step onto the walking belt and begin exercising.

The time remaining in the program will be shown in the TIME display. (If the SEGMENT TIME button is pressed, the number of seconds remaining in the first segment will be shown). During the last three seconds of the first segment, the TIME display will flash three times. When the first segment is completed, the second column of indicators will begin to flash, and the treadmill will automatically adjust to the speed and incline settings of the second segment. The program will continue in this manner until the twentieth column is flashing and no time remains. The walking belt will then slow to a stop.

Note: The program can be stopped at any time with the STOP button. The console will then be in the same state as if the program had been completed.

## HOW TO USE THE FITNESS TEST PROGRAM

The FITNESS TEST program is designed to measure your relative fitness level. For the best results, take the FITNESS TEST at a time when your energy level is high. The FITNESS TEST should not be taken after you have already exercised during the day.

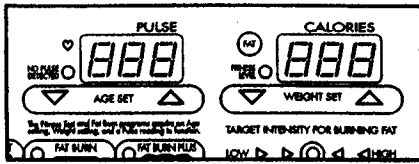
The FITNESS TEST consists of seven 3-minute segments, and is followed by a 1-minute cool-down period. The console will automatically control the speed and incline of the treadmill during the FITNESS TEST. The speed and incline settings cannot be adjusted.

### 1. Select the FITNESS TEST program

Press the FITNESS TEST button. The indicator on the button will light. Note: If the walking belt is moving, it will slow to a stop.



When the **FITNESS TEST** button is pressed, the letters "AGE" will



flash in the PULSE display, and the letters "LbS" will flash in the CALORIES display. For the **FITNESS TEST** to operate properly, your age and weight must be entered into the console. If you have not entered your age and weight, see **HOW TO ENTER YOUR AGE AND WEIGHT** on page 9. If you have already entered your age and weight, simply press one of the **AGE SET** buttons, and then press one of the **WEIGHT SET** buttons. Note: If the **PROGRAM START** button is pressed before you have entered your age and weight, the words "SET AGE AND WEIGHT" will move across the center of the console.

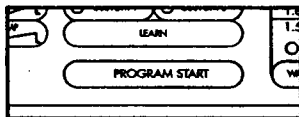
The **CALORIES**, **TIME** and **DISTANCE** displays will be reset to zero.

## 2. Put on the pulse sensor

See **HOW TO USE THE PULSE DISPLAY** on page 10. Note: If the **PROGRAM START** button is pressed before your pulse is shown, the letters "PLS" will flash in the PULSE display, and the words "ADJUST PULSE SENSOR" will move across the center of the console.

## 3. Start the FITNESS TEST program

Stand on the foot rails of the treadmill and press the **PROGRAM START** button. The **CALORIES** display will



show "L 1," indicating that the first segment of the **FITNESS TEST** has begun. The incline of the treadmill will automatically adjust to 2.0%, and the walking belt will begin to move at 1.5 mph. Step onto the walking belt and begin exercising.

When the **TIME** display reaches 3 minutes, the **CALORIES** display will show "L 2," indicating that the second segment has begun. The incline will increase to 3%, and the speed will increase to 2.0 mph. The **FITNESS TEST** will continue in this manner until your pulse reaches 70% of your maximum heart rate, and the current segment is completed. *The FITNESS TEST will then be completed, regardless of how many segments remain.*

When the **FITNESS TEST** is completed, the letter "C" will be shown in the **CALORIES** display, indicating that the cool-down period has begun. The words "COOL DOWN" will move across the center of the console, and the **TIME** display will count down 1 minute.

When the cool-down period is completed, the walking belt will slow to a stop and the words "FITNESS TEST COMPLETE" will move across the center of the console. The **FITNESS LEVEL** indicator will light, and your fitness level will be shown in the **CALORIES** display. There are ten fitness levels—fitness level 10 (FL10) is the highest fitness level. *Remember, the Fitness Test is intended only to indicate your relative fitness level.*

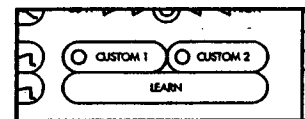
Note: If at any time during the program your pulse is not detected, the letters "PLS" will flash in the PULSE display, and the words "ADJUST PULSE SENSOR" will move across the center of the console. If your pulse is not detected during the last thirty seconds of any segment, the walking belt will slow to a stop and the words "PULSE SIGNAL LOST" will move across the center of the console. The **FITNESS LEVEL** indicator will light, and the **CALORIES** display will show an estimated fitness level. The **FITNESS TEST** can be stopped at any time by pressing the **STOP** button. The words "FITNESS TEST HALTED" will move across the center of the console, and the **CALORIES** display will show an estimated fitness level. The console will then be in the **MANUAL CONTROL** mode.

## HOW TO CREATE CUSTOM WORKOUT PROGRAMS

When the console is in the program mode, you can create custom workout programs, and save them in the console's memory for future workouts. Two different custom programs can be saved at the same time, and the custom programs can be changed as many times as desired. Follow the instructions below to create a custom program.

### 1. Select one of the custom workout programs

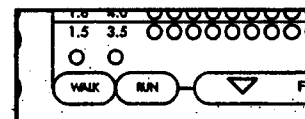
Press the **CUSTOM 1** or **CUSTOM 2** button. (One custom program can be created using each button.) The indicator on the button you press will light.



Note: If the walking belt is moving, it will slow to a stop.

### 2. Select the WALK or RUN mode

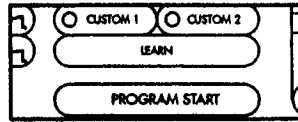
When a custom program is selected, the **WALK** and **INCLINE** indicators will light. The console will automatically control the speed and incline of the treadmill during the program, and the speed range will be 1.5 to 4.5 mph.



If you want the speed range to be 3.5 to 8.5 mph, press the **RUN** button. The **WALK** indicator will darken, and the **RUN** indicator will light. *Note: No other modes can be selected. If you press the PULSE button, the PLATEAU program will be selected.*

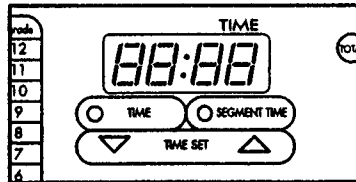
### 3. Press the LEARN button

When the learn button is pressed, the indicator on the CUSTOM 1 or CUSTOM 2 button will begin to flash.



### 4. Set the program time

Press the TIME SET buttons to set the length of time that you want the program to last. Each time one of the buttons



is pressed, the length of time shown in the TIME display will change by 20 seconds. If one of the buttons is held down, the length of time will change in increments of 1 minute. The program can be set to last for a minimum of 5 minutes, up to a maximum of 80 minutes. (If the SEGMENT TIME button is pressed, the TIME display will show how many seconds *each of the twenty segments* will last.)

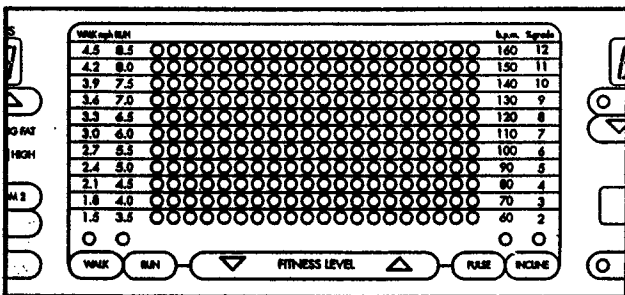
### 5. Start the program

Stand on the foot rails of the treadmill and press the PROGRAM START button. When the walking belt begins to move, carefully step onto the walking belt and begin exercising.



### 6. Program speed and incline settings

Each program is divided into twenty equal time periods, called segments. One speed setting and one incline setting can be programmed for each segment. The speed and incline settings will be shown in the columns of indicators in the center of the console.



The settings of the first segment will be shown in the far left column, and the settings of the twentieth segment will be shown in the far right column. Red indicators will show the speed setting of each segment, and green indicators will show the incline setting of each segment.

The first column of indicators will be flashing. Program the desired speed setting for the first segment with the INCREASE SPEED and DECREASE SPEED buttons. (Note: If you selected the WALK mode, the speed setting will change in increments of 0.3 mph; if you selected the RUN mode, the speed setting will change in increments of 0.5 mph.) Select the desired incline setting for the first segment with the INCREASE INCLINE and DECREASE INCLINE buttons.

The time remaining in the program will be shown in the TIME display. (If the SEGMENT TIME button is pressed, the number of seconds remaining in the first segment will be shown). During the last three seconds of the first segment, the TIME display will flash three times. When the first segment is completed, the current speed and incline settings will be saved in memory.

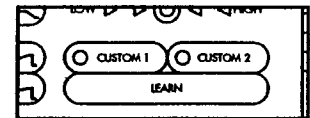
When the first segment is completed, the second column of indicators will begin to flash. Program a speed setting and an incline setting for the second segment as described above. When the second segment is completed, the current speed and incline settings will be saved in memory. The program will continue in this manner until the twentieth segment is flashing and no time remains. The walking belt will then slow to a stop.

After the program is completed, one speed setting and one incline setting will be programmed for each of the twenty segments. The speed and incline settings will be saved in the console's memory. To use the program for future workouts, follow the instructions below.

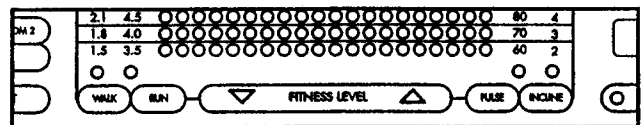
## HOW TO USE A CUSTOM WORKOUT PROGRAM

### 1. Select one of the custom workout programs

Press the CUSTOM 1 or CUSTOM 2 button. The indicator on the button you press will light. Note: If the walking belt is moving, it will slow to a stop.



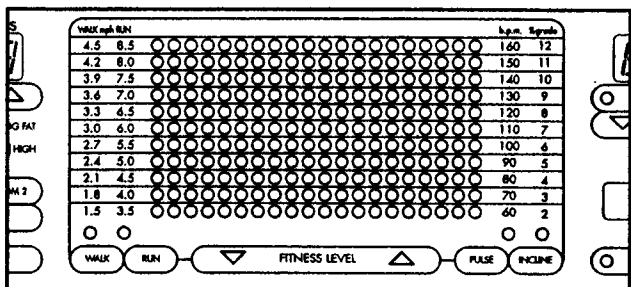
### 2. Select the WALK or RUN mode



When a custom program is selected, the WALK and INCLINE indicators will light. The console will automatically control the *speed and incline* of the treadmill during the program, and the speed range will be 1.5 to 4.5 mph. If you want the speed range to be 3.5 to 8.5 mph, press the RUN button. The WALK indicator will darken, and the RUN indicator will light. *Note: No other modes can be selected. If you press the PULSE button, the PLATEAU program will be selected.*

### 3. The program settings

The speed and incline settings of the program you have selected will be shown in the columns of indicators in the center of the console. Red indicators will show the speed setting of each segment, and green indicators will show the incline setting of each segment.



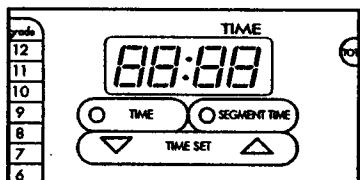
### 4. Adjust the difficulty level of the program

If desired, the difficulty level of the program can be adjusted with the FITNESS LEVEL buttons (see the drawing above). Each time the FITNESS LEVEL increase button is pressed, the speed and incline settings of all segments will increase. Each time the FITNESS LEVEL decrease button is pressed, the speed and incline settings of all segments will decrease.

Note: The difficulty level of the program can be increased only until the highest indicator in one of the columns is lit, and decreased only until the lowest indicator in one of the columns is lit.

### 5. Adjust the program time

The length of time the program will last can be adjusted, if desired, with the TIME SET buttons. Each time one of the buttons is pressed, the length of time will change by 20 seconds. If one of the buttons is held down, the length of time will change in increments of 1 minute. The program can be set to last for a minimum of 5 minutes, up to a maximum of 80 minutes. (If the SEGMENT TIME button is pressed, the TIME display will show how many seconds *each of the twenty segments* will last.)



### 6. Start the program

Stand on the foot rails of the treadmill and press the PROGRAM START button. The first column of indicators will begin to flash, and the treadmill will automatically adjust to the speed and incline settings of the first segment. Step onto the walking belt and begin exercising.



The time remaining in the program will be shown in the TIME display. (If the SEGMENT TIME button is pressed, the number of seconds remaining in the first segment will be shown). During the last three seconds of the first segment, the TIME display will flash three times. When the first segment is completed, the second column of indicators will begin to flash, and the treadmill will automatically adjust to the speed and incline settings of the second segment. The program will continue in this manner until the twentieth column is flashing and no time remains. The walking belt will then slow to a stop.

Note: During the program, the difficulty level of the program can be adjusted with the FITNESS LEVEL buttons. The length of time that the program will last can be changed with the TIME SET buttons. The program can be stopped at any time with the STOP button. The console will then be in the same state as if the program had been completed.

Note: Although the difficulty level of the program can be adjusted, only the original speed and incline settings will be saved in memory. If you desire to change the original speed and incline settings, see HOW TO CREATE CUSTOM WORKOUT PROGRAMS on page 15.

### HOW TO TURN OFF THE POWER

To turn off the power, remove the safety key from the console. *Store the safety key in a secure location.*

### HOW TO SELECT THE INFORMATION MODE

The console features an information mode that keeps track of trip time and distance, as well as the total time and distance accumulated.

To select the information mode, hold down the STOP button while inserting the safety key into the console. The indicator on the SEGMENT TIME button will light, and the trip time and distance will be shown in the TIME and DISTANCE displays. (Note: If the distance exceeds 999 miles, the thousands digits will be shown in the SPEED display.) If desired, the trip time and distance can be reset to zero by pressing the TIME SET decrease button.

To view the total time and distance, press the TIME button. The total time and distance will then be shown. The total time and distance cannot be reset.

Note: The PULSE display will show the letter "I," indicating that the console is set for an infrared (cordless) pulse sensor. Do not press the AGE SET decrease button, or the setting will change to the letter "C," for a corded pulse sensor. The setting can be changed back by pressing the button again.

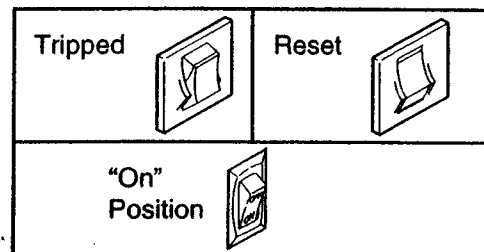
To exit the information mode, remove the safety key.

# TROUBLE-SHOOTING AND STORAGE

Most treadmill problems can be solved by following the steps below. Find the symptom that applies, and follow the steps listed. If further assistance is needed, call our Customer Service Department toll-free at 1-800-999-3756, Monday through Friday, 6 a.m. until 6 p.m. Mountain Time (excluding holidays).

## 1. SYMPTOM: THE POWER DOES NOT TURN ON

- Make sure that the power cord is plugged into a properly grounded outlet. (See HOW TO PLUG IN THE POWER CORD on page 8.) If an extension cord is needed, use only a 14-gauge general-purpose cord of five feet or less in length.
- After the power cord has been plugged in, make sure that the safety key is fully inserted into the console. Various indicators on the console should light. (See HOW TO TURN ON THE POWER on page 9.)
- Check the circuit breaker located on the treadmill near the power cord. If the switch protrudes as shown, the circuit breaker has tripped. To reset the circuit breaker, wait for five minutes and then press the switch back in.
- Check the on/off switch located at the front of the treadmill near the power cord. The switch must be in the "on" position.



## 2. SYMPTOM: THE POWER TURNS OFF DURING USE

- Check the circuit breaker located on the treadmill near the power cord. If the circuit breaker has tripped (see the drawing above), wait for five minutes and then press the switch back in.
- Make sure that the power cord is plugged in.
- Remove the safety key from the console. Reinsert the safety key fully into the console. Various indicators on the console should light.
- Check to make sure the on/off switch is in the "on" position. (See 1. d. above.)
- If the treadmill still will not run, please call our Customer Service Department.

## 3. SYMPTOM: AN ERROR CODE ("E1," "E2," "E3," OR "E4") APPEARS ON THE CONSOLE

- If error code "E1" appears in the INCLINE display, a malfunction may have occurred in the incline system. Remove the safety key, wait for ten seconds, and then reinsert the safety key. If the error code appears again, call our Customer Service Department. Do not operate the treadmill until the problem is corrected.
- Error code "E2" may appear in the SPEED display if the INCREASE SPEED or PROGRAM START button is pressed and no movement of the walking belt is detected within seven seconds. Remove the safety key, wait for ten seconds, and then reinsert the safety key. Make sure that you stand on the side rails of the treadmill each time you start the walking belt. If the error code appears again, call our Customer Service Department. Do not operate the treadmill until the problem is corrected.
- Error code "E3" may appear in the SPEED display if the speed of the walking belt surges above the selected speed setting. Remove the safety key, wait for ten seconds, and then reinsert the safety key. If the error code appears again, call our Customer Service Department. Do not operate the treadmill until the problem is corrected.
- Error code "E4" may appear in the SPEED display if the walking belt is moving at a slow speed, and there is excessive stress on the motor. Remove the safety key, wait for ten seconds, and then reinsert the safety key. If you weigh over 200 pounds, it may be helpful to increase the incline of the treadmill. If the error code appears again, call our Customer Service Department. Do not operate the treadmill until the problem is corrected.

#### 4. SYMPTOM: THE PULSE SENSOR DOES NOT FUNCTION PROPERLY

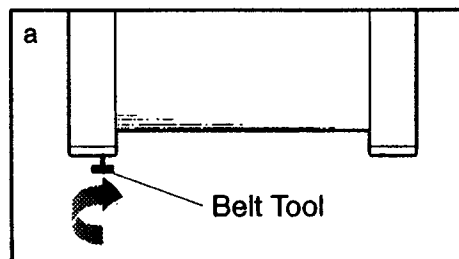
a. See HOW TO USE THE PULSE SENSOR on page 7.

#### 5. SYMPTOM: THE WALKING BELT SLOWS WHEN WALKED ON

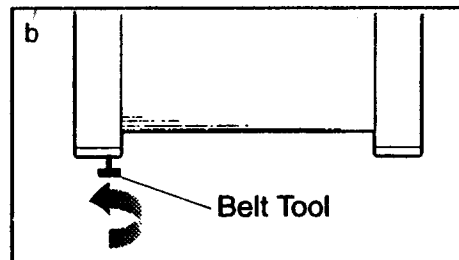
- a. If an extension cord is needed, use only a 14-gauge general-purpose cord of five feet or less in length.
- b. If the walking belt still slows when walked on, please call our Customer Service Department.

#### 6. SYMPTOM: THE WALKING BELT IS OFF-CENTER WHEN WALKED ON

a. If the walking belt has shifted to the left, first remove the safety key and **UNPLUG THE POWER CORD**. Using the belt tool, turn the rear roller adjustment bolt clockwise 1/4 of a turn. Plug in the power cord, insert the safety key and run the treadmill for a few minutes. Repeat until the walking belt is centered.



b. If the walking belt has shifted to the right, first remove the safety key and **UNPLUG THE POWER CORD**. Using the belt tool, turn the rear roller adjustment bolt counterclockwise 1/4 of a turn. Plug in the power cord, insert the safety key and run the treadmill for a few minutes. Repeat until the walking belt is centered.

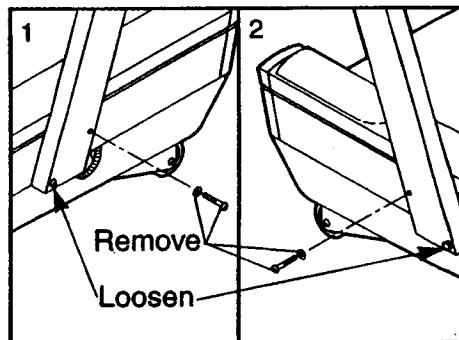


#### STORAGE

Unplug the power cord when the treadmill is not in use.

Remove the indicated bolt and washer from the lower end of each upright. Loosen the other bolt in each upright. Carefully lay the console on the treadmill. Keep the bolts and washers in a secure location.

It is recommended that the treadmill be covered during extended periods of storage.



# CONDITIONING GUIDELINES

The following guidelines will help you to plan your exercise program. Remember—these guidelines are general in nature. For more detailed information about exercise, obtain a reputable book or consult your physician.

**▲ WARNING:** Before beginning this or any exercise program, consult your physician. This is especially important for individuals over the age of 35 or individuals with pre-existing health problems.

## EXERCISE INTENSITY

Whether you want to burn fat or to strengthen your cardiovascular system, you can tailor your exercise to your specific goals. The key to achieving the desired results is to exercise with the proper intensity.

### Burning Fat

To burn fat effectively, you must exercise at a relatively low intensity level for a sustained period of time. During the first few minutes of exercise, your body uses easily accessible *carbohydrate calories* for energy. Only after the first few minutes of exercise does your body begin to use stored *fat calories* for energy.

If your goal is to burn fat, the console's built-in Fat Calorie Monitor will help you to maintain the proper intensity level. As you exercise, the Fat Calorie Monitor will show you when your exercise intensity is too low, too high, or perfect for burning fat. (See HOW TO USE THE FAT CALORIE MONITOR on page 11.)

### Cardiovascular Exercise

If your goal is to strengthen your cardiovascular system, your exercise must be "aerobic." Aerobic exercise is activity that requires large amounts of oxygen for prolonged periods of time. Aerobic exercise increases the demand on the heart to pump blood to the muscles, and on the lungs to oxygenate the blood. The proper intensity level for aerobic exercise can be found by using your pulse as a guide. As you exercise, your pulse should be kept at a level between 70% and 85% of your maximum possible heart rate. This is known as your training zone. You can find your training zone in the table at the top of this page. Training zones are listed according to age and physical condition.

During the first few months of your exercise program, keep your pulse near the low end of your training zone as you exercise. After a few months of regular exercise, your pulse can be gradually increased until it is near the middle of your training zone as you exercise.

Age	Unconditioned Training Zone (Beats/Min.)	Conditioned Training Zone (Beats/Min.)
20	138-167	133-162
25	136-166	132-160
30	135-164	130-158
35	134-162	129-156
40	132-161	127-155
45	131-159	125-153
50	129-156	124-150
55	127-155	122-149
60	126-153	121-147
65	125-151	119-145
70	123-150	118-144
75	122-147	117-142
80	120-146	115-140
85	118-144	114-139

You can measure your pulse using the pulse sensor. Exercise for about four minutes, and then measure your pulse immediately. If your pulse is too high, decrease the intensity of your exercise. If your pulse is too low, increase the intensity of your exercise.

**▲ WARNING:** The pulse sensor is not a medical device. Various factors, including your movement during exercise, may affect the accuracy of heart rate readings. The sensor is intended only as an exercise aid in determining heart rate trends in general.

## WORKOUT GUIDELINES

When exercising, wear loose-fitting, comfortable clothing. Do not wear clothing that could become caught in the treadmill. Always wear athletic shoes for foot protection.

Each workout should include three basic parts: (1) a warm-up, (2) training zone exercise, and (3) a cool-down.

### Warming Up

Warming up prepares the body for exercise by increasing circulation, delivering more oxygen to the muscles and raising the body temperature. Begin each workout with 5 to 10 minutes of stretching and light exercise to warm up (see SUGGESTED STRETCHES on page 21).

## Training Zone Exercise

After warming up, increase the intensity of your exercise until your pulse is in your training zone for 20 to 60 minutes. (During the first few weeks of your exercise program, do not keep your pulse in your training zone for longer than 20 minutes.) Breathe regularly and deeply as you exercise—never hold your breath.

## Cooling Down

Finish each workout with 5 to 10 minutes of stretching

to cool down. This will increase the flexibility of your muscles and will help to prevent post-exercise problems.

## Exercise Frequency

To maintain or improve your condition, complete three workouts each week, with at least one day of rest between workouts. After a few months, you may complete up to five workouts each week if desired.

*The key to success is to make exercise a regular and enjoyable part of your everyday life.*

## SUGGESTED STRETCHES

The correct form for several basic stretches is shown in the drawings below. Move slowly as you stretch—never bounce.

### 1. Toe Touch Stretch

Stand with your knees bent slightly and slowly bend forward from your hips. Allow your back and shoulders to relax as you reach down toward your toes as far as possible. Hold for 15 counts, then relax. Repeat 3 times. Stretches: Hamstrings, back of knees and back.

### 2. Hamstring Stretch

Sit with one leg extended. Bring the sole of the opposite foot toward you and rest it against the inner thigh of your extended leg. Reach toward your toes as far as possible. Hold for 15 counts, then relax. Repeat 3 times for both legs. Stretches: Hamstrings, lower back and groin.

### 3. Calf/Achilles Stretch

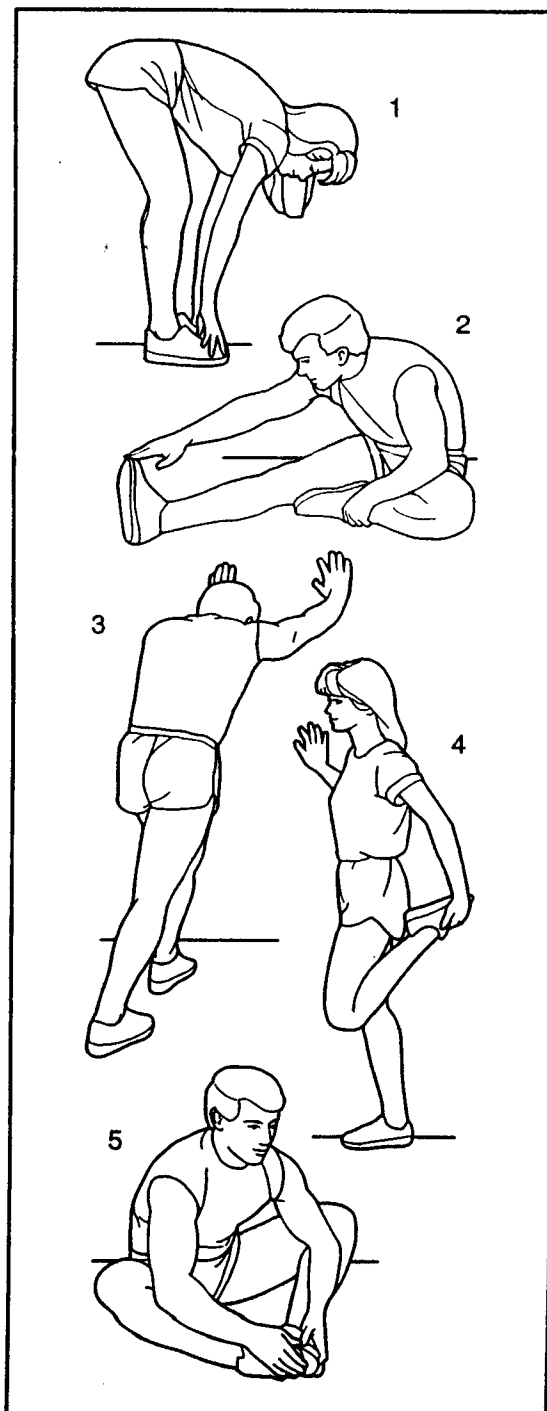
With one leg in front of the other, reach forward and place your hands against a wall. Keep your back leg straight and your back foot flat on the floor. Bend your front leg, lean forward and move your hips toward the wall. Hold for 15 counts, then relax. Repeat 3 times for both legs. To cause further stretching of the achilles tendons, bend your back leg as well. Stretches: Calves, achilles tendons and ankles.

### 4. Quadriceps Stretch

With one hand against a wall for balance, reach back and grasp one foot with your other hand. Bring your heel as close to your buttocks as possible. Hold for 15 counts, then relax. Repeat 3 times for both legs. Stretches: Quadriceps and hip muscles.

### 5. Inner Thigh Stretch

Sit with the soles of your feet together and your knees outward. Pull your feet toward your groin area as far as possible. Hold for 15 counts, then relax. Repeat 3 times. Stretches: Quadriceps and hip muscles.



**NOTES**

---



# NOTES

---

# ORDERING REPLACEMENT PARTS

To order replacement parts, call our Customer Service Department toll-free at **1-800-999-3756**, Monday through Friday, 6 a.m. until 6 p.m. Mountain Time (excluding holidays). When ordering parts, please be prepared to give the following information:

- The **MODEL NUMBER** of the product (IMTL10650).
- The **NAME** of the product (IMAGE® 10.6 treadmill).
- The **SERIAL NUMBER** of the product (see the front cover of this manual).
- The **KEY NUMBER** of the part(s) (see the **EXPLODED DRAWING** and **PART LIST** attached to the center of this manual).
- The **DESCRIPTION** of the part(s) (see the **EXPLODED DRAWING** and **PART LIST** attached to the center of this manual).

If possible, place the treadmill near your telephone for easy reference when calling.

## LIMITED WARRANTY

ICON Health & Fitness, Inc. ("ICON"), warrants this product to be free from defects in workmanship and material, under normal use and service conditions, for a period of two (2) years from the date of purchase, excepting the pulse sensor which is covered by a 90 day limited warranty. This warranty extends only to the original purchaser. ICON's obligation under this warranty is limited to replacing or repairing, at ICON's option, the product at one of its authorized service centers. All products for which warranty claim is made must be received by ICON at one of its authorized service centers with all freight and other transportation charges prepaid, accompanied by sufficient proof of purchase. All returns must be pre-authorized by ICON. This warranty does not extend to any product or damage to a product caused by or attributable to freight damage, abuse, misuse, improper or abnormal usage or repairs not provided by an ICON authorized service center or for products used for commercial or rental purposes. No other warranty beyond that specifically set forth above is authorized by ICON.

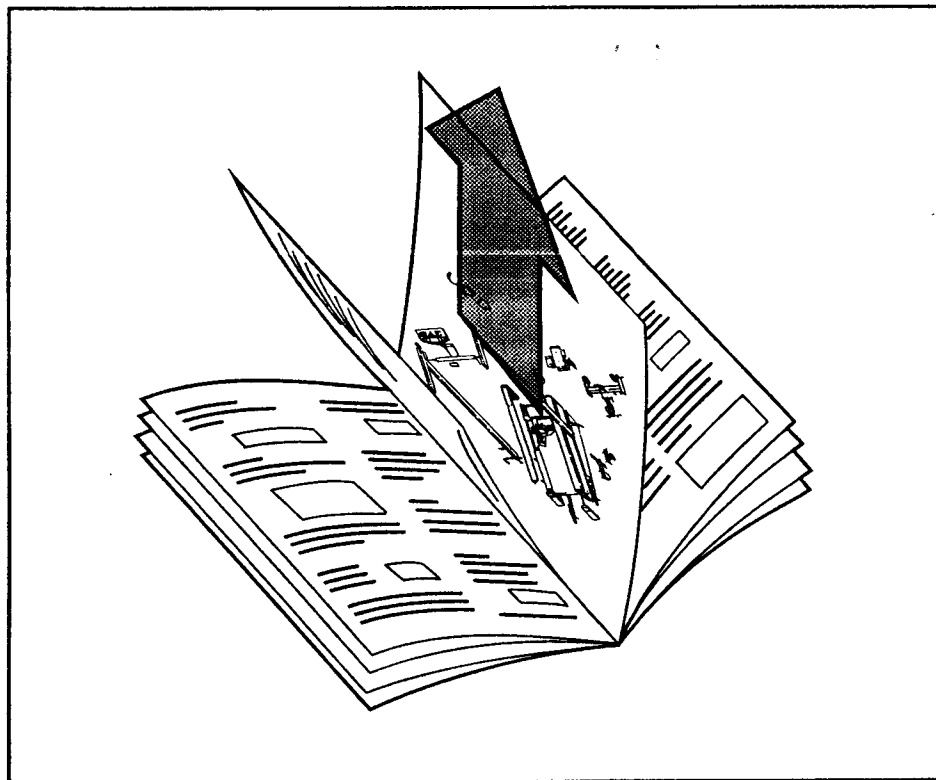
ICON IS NOT RESPONSIBLE OR LIABLE FOR INDIRECT, SPECIAL OR CONSEQUENTIAL DAMAGES ARISING OUT OF OR IN CONNECTION WITH THE USE OR PERFORMANCE OF THE PRODUCT OR OTHER DAMAGES WITH RESPECT TO ANY ECONOMIC LOSS, LOSS OF PROPERTY, LOSS OF REVENUES OR PROFITS, LOSS OF ENJOYMENT OR USE, COSTS OF REMOVAL, INSTALLATION OR OTHER CONSEQUENTIAL DAMAGES OF WHATSOEVER NATURE. SOME STATES DO NOT ALLOW THE EXCLUSION OR LIMITATION OF INCIDENTAL OR CONSEQUENTIAL DAMAGES. ACCORDINGLY, THE ABOVE LIMITATION MAY NOT APPLY TO YOU.

THE WARRANTY EXTENDED HEREUNDER IS IN LIEU OF ANY AND ALL OTHER WARRANTIES AND ANY IMPLIED WARRANTIES OF MERCHANTABILITY OR FITNESS FOR A PARTICULAR PURPOSE IS LIMITED IN ITS SCOPE AND DURATION TO THE TERMS SET FORTH HEREIN. SOME STATES DO NOT ALLOW LIMITATIONS ON HOW LONG AN IMPLIED WARRANTY LASTS. ACCORDINGLY, THE ABOVE LIMITATION MAY NOT APPLY TO YOU.

This warranty gives you specific legal rights. You may also have other rights which vary from state to state.

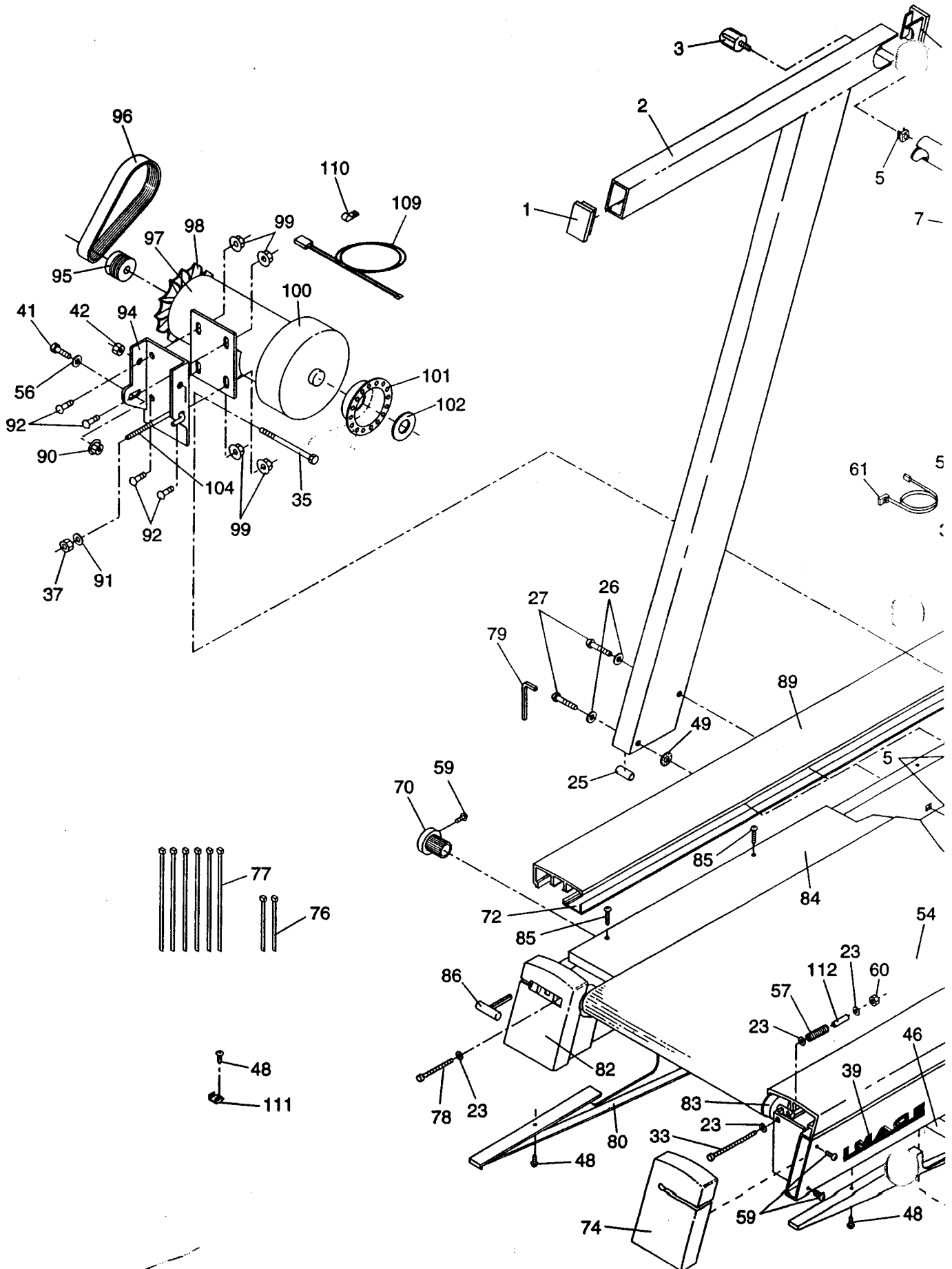
**ICON HEALTH & FITNESS, INC., 1500 S. 1000 W., LOGAN, UT 84321-9813**

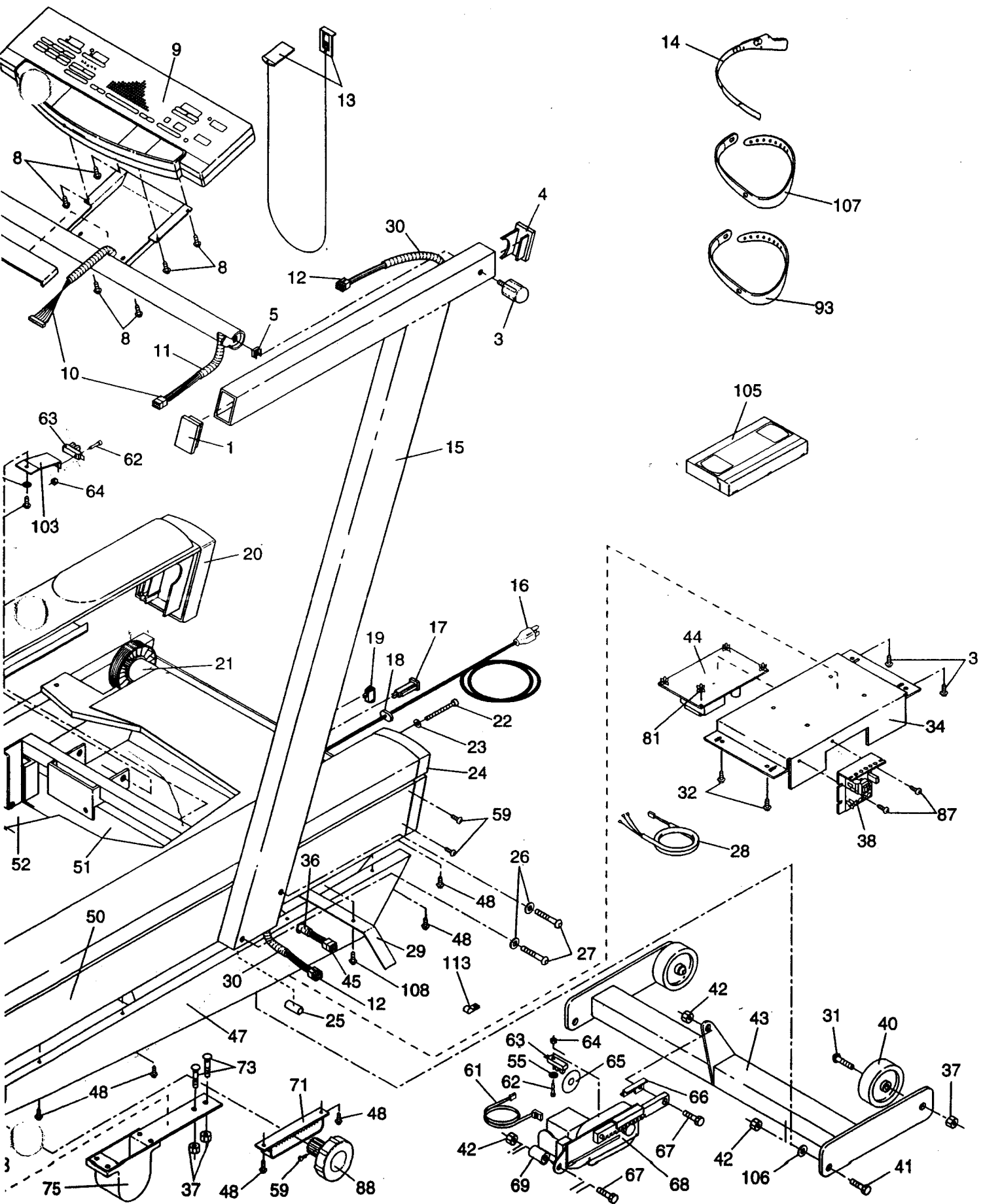
**REMOVE THIS PART LIST/EXPLODED  
DRAWING FROM THE MANUAL!**



# EXPLODED DRAWING—Model No. IMTL10650

R595A





# PART LIST—Model No. IMTL10650

R595A

Key No.	Qty.	Description	Key No.	Qty.	Description
1	2	Endcap	64	2	Small Nut
2	1	Left Upright	65	1	Incline Optic Switch
3	2	Console Knob	66	1	Incline Motor Bracket
4	2	Upright Endcap	67	2	Incline Motor Bolt
5	6	Cage Nut	68	1	Incline Motor
6	1	Console Crossbar	69	1	Incline Motor Spacer
7	1	Wire Cover	70	1	Bar Endcap
8	12	Console Screw	71	2	Cushion Foot Insert
9	1	Console	72	2	Foot Rail Bracket
10	1	Console Wire Harness	73	4	Cushion Foot Bolt
11	1	24" Cable Loom	74	1	Right Rear Endcap
12	1	Upright Wire Harness	75	2	Cushion Foot
13	1	Safety Key/Clip	76	2	4" Cable Tie
14	1	Pulse Sensor	77	6	8" Cable Tie
15	1	Right Upright	78	1	Left Rear Belt Tension Bolt
16	1	Power Cord	79	1	7/32" Allen Wrench
17	1	Circuit Breaker	80	1	Left Skirt
18	1	Grommet	81	4	Plastic Stand-Off
19	1	On/Off Switch	82	1	Left Rear Endcap
20	1	Left Front Endcap	83	1	Rear Roller
21	1	Front Roller/Pulley	84	1	Walking Platform
22	1	Front Roller Adj. Bolt	85	8	Platform Screw
23	5	Roller Adj. Washer	86	1	Belt Tool
24	1	Right Front Endcap	87	2	Controller Screw
25	2	Upright Spacer	88	1	Cushion Knob
26	4	Upright Washer	89	1	Left Foot Rail
27	4	3/8" x 3 1/2" Bolt	90	1	Motor Tension Nut
28	1	Power Board-Controller Wire	91	1	Motor Tension Washer
29	1	Belt Guide	92	4	Motor Bolt
30	2	6" Cable Loom	93	1	Blue Headband
31	2	Wheel Bolt	94	1	Motor Bracket
32	5	Screw	95	1	Motor Pulley
33	1	Right Rear Belt Tension Bolt	96	1	Motor Belt
34	1	Electronics Bracket	97	1	Motor
35	1	Motor Swivel Bolt	98	1	Motor Fan
36	1	12" Cable Loom	99	4	Motor Nut
37	7	Wheel Nut/Cushion Foot Nut	100	1	Flywheel
38	1	Controller	101	1	Speed Optic Disk
39	1	Logo	102	1	Foam Pad
40	2	Front Wheel	103	1	Optic Switch Bracket
41	3	Leg Bolt/Motor Tension Bolt	104	1	J-Bolt
42	5	Leg/Motor Tension Nut	105	1	Video Tape
43	1	Incline Leg	106	2	Nylon Washer
44	1	Power Board	107	1	Red Headband
45	1	20" Wire Harness	108	3	Belt Guide Screw
46	2	Rod Sleeve	109	1	Thermal Switch
47	1	Right Skirt	110	1	Strain Relief
48	27	Skirt Screw/Cover Screw	111	1	Tie Holder Clamp
49	2	Star Washer	112	1	Harness Strain Relief
50	1	Frame	113	1	Spacer Sleeve
51	1	Front Safety Cover	#	1	20" Black Wire, 2 Female
52	1	Rear Safety Cover	#	1	9" Black Wire, Male/Female
53	1	Right Foot Rail	#	1	4" Black Wire, 2 Female
54	1	Walking Belt	#	1	14" White Wire, Male/Female
55	2	Optic Switch Washer	#	1	8" White Wire, 2 Female
56	1	Motor Tension Washer	#	1	8" Blue Wire, 2 Female
57	1	Belt Tension Spring	#	1	8" Blue Wire, Male/Female
58	1	Cushion Foot Rod	#	1	8" Green Ground Wire
59	10	Endcap Screw/Knob Screw	#	1	8" Red Wire, Male/Female
60	1	Spring Nut	#	1	Battery
61	2	Optic Switch Wire Harness	#	1	Owner's Manual
62	2	Small Bolt			
63	2	Optic Switch			

Note: "#" indicates a non-illustrated part.