

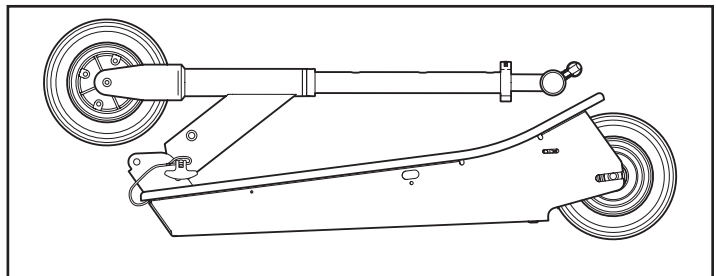
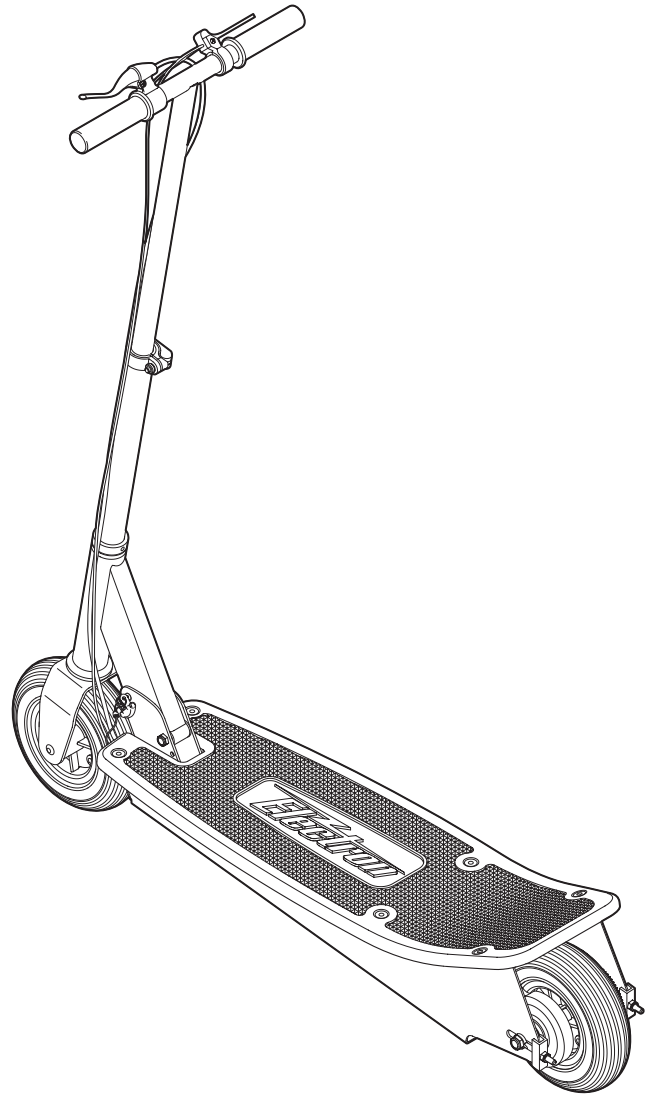
Model No. MTSC11701

Table of Contents

Important Precautions	2
Before You Begin	3
How to Set Up and Fold the Scooter	4
How to Operate the Scooter	5
Part List	6
How to Order Replacement Parts	6
Exploded Drawing	7
Maintenance and Troubleshooting	Back Cover

Electron®

User's Manual



CAUTION

Read all warnings and instructions in this manual before using the scooter. Keep this manual for future reference.

Important Precautions

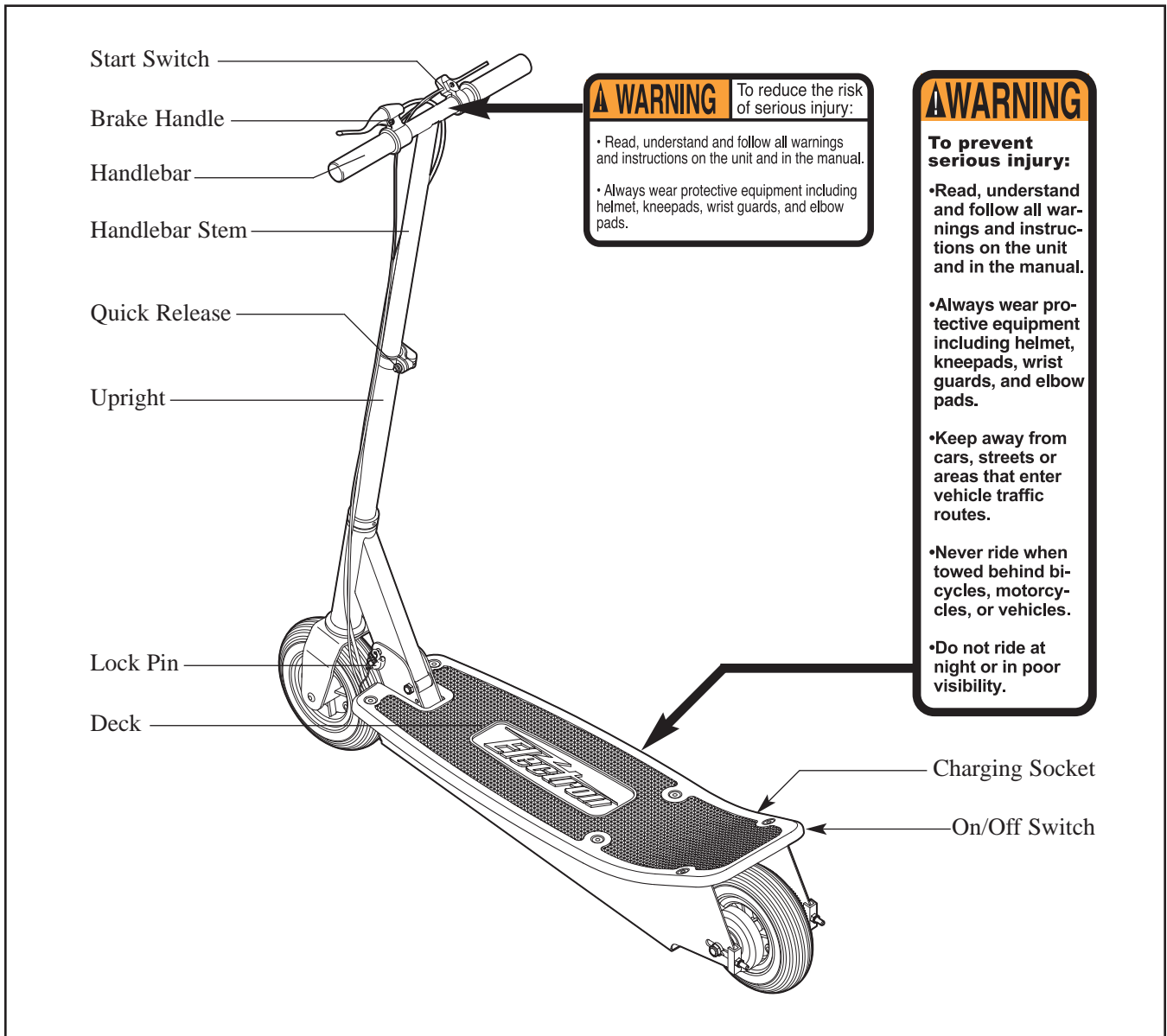
⚠ WARNING: To reduce the risk of serious injury, read these warnings before using the scooter.

1. Read, understand, and follow all warnings and instructions on the scooter and in this manual. Save this manual for future reference.
2. It is the owner's responsibility to ensure that all users of the scooter are adequately informed of, and follow, all warnings and instructions.
3. Inspect the scooter and tighten or replace any loose or missing parts before each use. In addition, make sure the lock pin is fully inserted, the wheels rotate freely, the wheel bolts are tight, the drive belt is properly tensioned, and the brake is properly adjusted and working. Keep the tires properly inflated. Do not use the scooter if the tires are underinflated; this can cause loss of control and can damage the motor or batteries.
4. Always wear protective equipment, including a helmet, knee pads, wrist guards, elbow pads, and closed-toed shoes, when using the scooter.
5. Keep children away from the scooter at all times. Always move the on/off switch to the off position when the scooter is not in use. Always store the scooter in a protected area where unauthorized use is prevented.
6. The scooter should not be used by children under the age of eight. A responsible adult must always supervise young riders.
7. Never ride the scooter on streets, roadways, or driveways that enter vehicle traffic routes. Always comply with all local laws and regulations.
8. The scooter is not recommended for riders weighing more than 200 pounds. To prevent serious injury or damage to the scooter, do not exceed this maximum user weight limit.
9. Never ride the scooter on wet or uneven surfaces or when visibility is poor.
10. Never tow another person or vehicle behind the scooter. Never allow the scooter to be towed behind a bicycle, motorcycle, or vehicle.
11. Never place hands near moving parts when the power is on. Make sure the on/off switch is in the off position before performing any of the maintenance or troubleshooting procedures described in this manual.
12. Do not ride the scooter on unpaved surfaces. Do not leave the scooter in dusty, wet, or rainy areas. Keep the batteries and electronics dry and protected from dirt and contaminants. Charge the scooter only in a dry, well-ventilated area and follow all instructions.
13. Use only the supplied charger to charge the scooter. Do not use the charger or the scooter if any wires or electric components become damaged or frayed. Use only components or parts supplied by the manufacturer for all repairs and replacements.
14. Never remove the four locknuts holding the rims together without first deflating the tires.

Before You Begin

Thank you for selecting the new ELECTRON® motorized scooter. The ELECTRON scooter combines quiet electric power with a sturdy, compact design to provide you with hours of enjoyment. And when you're not using the ELECTRON scooter, it can be folded for easy storage or transport. **For your safety and benefit, carefully read all of the warnings and instructions in this manual before using the ELECTRON scooter.**

Before reading further, please take a moment to familiarize yourself with the parts of the scooter that are labeled in the drawing below.



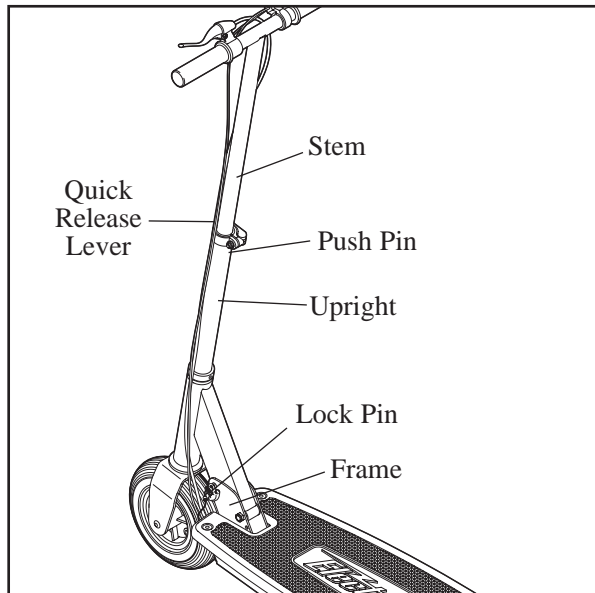
The warning decals shown above have been placed on the scooter. If a decal is missing or illegible, please call our Customer Service Department toll-free at 1-800-999-3756, Monday through Friday, 6 a.m. until 6 p.m. Mountain Time, to order a free replacement decal. Apply the replacement decal in the location shown.

How to Set Up and Fold the Scooter

SETUP

The scooter is shipped in the compact storage position. Follow the steps below to set up the scooter for use.

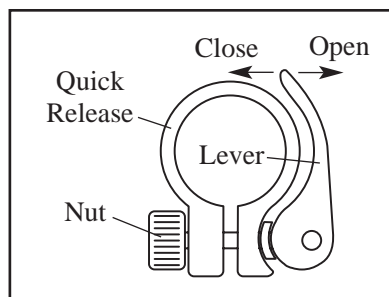
1. Pull the lock pin out of the frame. Raise the upright until it is in a nearly vertical position. Reinsert the lock pin fully into the frame.



2. Open the quick release lever. Press the push pin on the stem of the handlebar and slide the stem up until the push pin is visible in one of the three holes in the upright. The handlebar should be at the height of the user's waist. Close the quick release lever so it is tight against the upright.

Note: If the quick release doesn't hold the stem tightly, the quick release should be adjusted. Open the quick release lever. Turn the

adjustment nut clockwise one half turn while keeping the lever from turning. Close the lever. Repeat this procedure until the stem is held tightly.



If the quick release cannot be closed, turn the adjustment nut counterclockwise one quarter turn while keeping the lever from turning. Close the lever. Repeat this procedure until the quick release closes and the stem is held tightly.

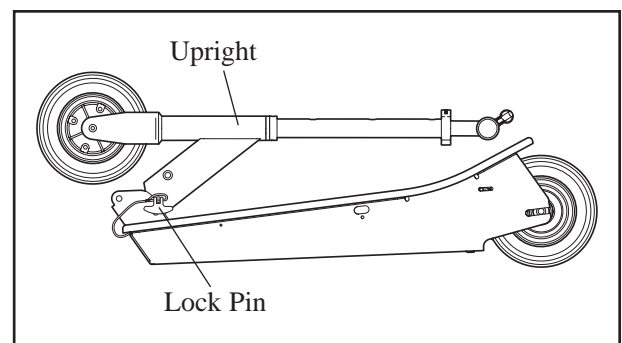
Before using the scooter, make sure that the scooter is set up as described and that all parts are securely tightened.

The batteries must be charged before the scooter can be used. Refer to page 5 for battery charging instructions.

FOLDING

When the scooter is not in use, it can be folded to the storage position for compact storage or transport. Follow the steps below to fold the scooter.

1. Make sure the on/off switch on the right side of the scooter is in the off position. **The on/off switch should always be in the off position when the scooter is not in use.**
2. Open the quick release lever. Press the push pin on the stem and slide the stem into the upright. Close the quick release lever.
3. Pull the lock pin out of the frame. Pivot the upright down to the horizontal position. Reinsert the lock pin fully into the frame.

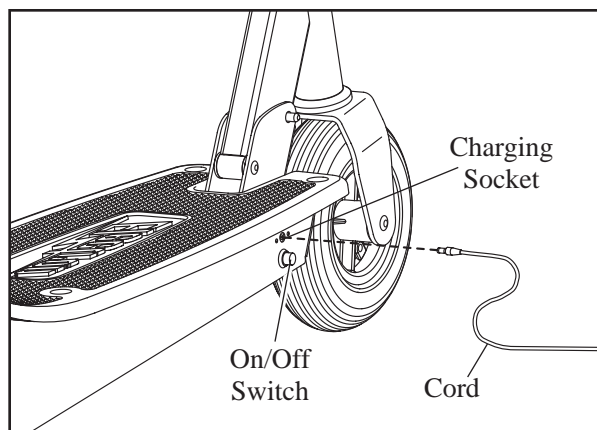


How to Operate the Scooter

CHARGING THE BATTERIES

The scooter's sealed lead-acid batteries should be charged and stored at temperatures between 50°F and 100°F (10°C and 38°C). If the temperature is warmer, the batteries will discharge more rapidly. If the temperature is cooler, the scooter should be moved to a warmer area while the batteries are being charged. Follow the steps below to charge the batteries.

1. **Make sure the on/off switch on the right side of the scooter is in the off position.** Note: If the on/off switch is in the on position and the start switch is pulled while the batteries are being charged, the battery charger will switch off for a short period of time.



2. Locate the charging socket near the on/off switch. Identify the cord on the battery charger that fits into the charging socket and plug the cord into the charging socket. Plug the other cord on the battery charger into a 110-volt outlet.
3. Allow the batteries to charge for about five to eight hours. After the batteries are charged, unplug the battery charger from the 110-volt outlet **first** and then unplug the battery charger from the charging socket on the scooter.

For maximum battery life, avoid leaving the on/off switch in the on position when the scooter is not in use. Avoid draining the batteries. It is recommended that the batteries be charged after each use. The batteries should be charged at least once each month, even if the scooter is not used.

If the batteries need to be replaced, refer to HOW TO ORDER REPLACEMENT PARTS on page 6. Recycle batteries according to federal and state laws.

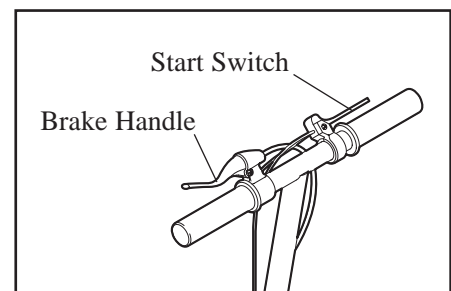
THE ON/OFF SWITCH

The on/off switch on the right side of the scooter is the main power switch (see the drawing at the left). Moving the switch to the “on” position will turn on the power. Moving the switch to the “off” position will turn off the power. **When the scooter is not in use, the on/off switch should always be in the off position.**

When you are ready to use the scooter, move the on/off switch to the on position.

STARTING AND STOPPING THE SCOOTER

With the on/off switch in the on position, the scooter can be started with the start switch on the right side of the handlebar. To start the scooter,



hold the handlebars securely, step onto the deck with one foot while using your other foot to maintain balance, and pull the start switch with your right index finger. (To preserve the battery charge longer, you may wish to push with your foot as you start the scooter.) The scooter will immediately begin to move. When the start switch is released, the motor will stop. Note: To prevent damage to the motor, do not repeatedly pull and release the start switch in an attempt to move the scooter at a slower speed.

To stop the scooter, pull the brake handle on the left side of the handlebar. Note: Any time the brake handle is pulled, the motor will stop, even if the start switch is being pulled at the same time.

Use the scooter only on paved, smooth, level surfaces.

Avoid using the scooter on grades steeper than 5% for extended periods. The scooter is rated for a 200-pound user on a hard, level surface with a surrounding temperature of 50°F; the batteries' charge will be used faster by heavier riders. Make sure the tires are inflated to the pressure listed on the sides of the tires.

Key No.	Qty.	Description	Key No.	Qty.	Description
1	1	Frame	38	3	M5 Washer
2	1	Fork/Upright	39	1	Spacer
3	1	Neck	40	1	Cable Bracket
4	1	Handlebar	41	4	M5 Nylon Locknut
5	2	Hand Grip	42	2	Front Wheel Spacer
6	1	Deck	43	3	Wheel Bearing
7	1	Push Pin	44	1	Front Axle
8	1	Quick Release	45	6	M8 x 23.5mm Bolt
9	1	Upright Clamp	46	10	M8 Nylon Locknut
10	1	M6 x 39.5mm Screw	47	4	M8 x 14mm Bolt
11	1	Upper Neck Bushing	48	1	Charging Socket
12	1	Lower Neck Bushing	49	1	On/Off Switch
13	1	Lock Pin	50	1	Cable Clamp
14	1	Pivot Bolt	51	2	#6 x 12.7mm Screw
15	2	Pivot Bushing	52	4	Board Fastener
16	2	M6 Flat Washer	53	1	Battery Charger
17	1	Rear Wheel Assembly	54	1	Front Wheel Assembly
18	1	Brake Handle/Speed Control	55	2	M5 x 16mm Bolt
19	1	Brake Cable	56	1	M4 x 12mm Button Screw
20	1	Battery Bracket	57	2	#6 Flat Washer
21	2	Battery	58	1	Brake Disc Spacer
22	1	Motor	59	1	Brake Disc Bearing
23	1	Motor Bracket	60	2	M10 Nylon Locknut
24	1	Motor Brace	61	1	M8 28mm Bolt
25	1	Control Board	62	1	M8 Nut
26	1	Belt	63	1	Wire Tie
27	1	Brake	64	1	M3 x 6mm Screw
28	1	Brake Disc	65	1	M4 x 7mm Screw
29	1	Brake Flange	66	2	#6 Nylon Locknut
30	1	Rear Axle	67	2	Thrust Washer
31	2	Adjustment Bracket	68	1	Thrust Bearing
32	2	M6 Nylon Locknut	69	1	Upright Bushing
33	2	Eye Bolt	70	1	Stem Bushing
34	3	M6 x 9.5mm Button Screw	71	1	M4 x 14mm Screw
35	1	M10 Washer	72	2	M10 Nut
36	1	Gear Spacer	#	1	User's Manual
37	1	M5 x 36mm Bolt			

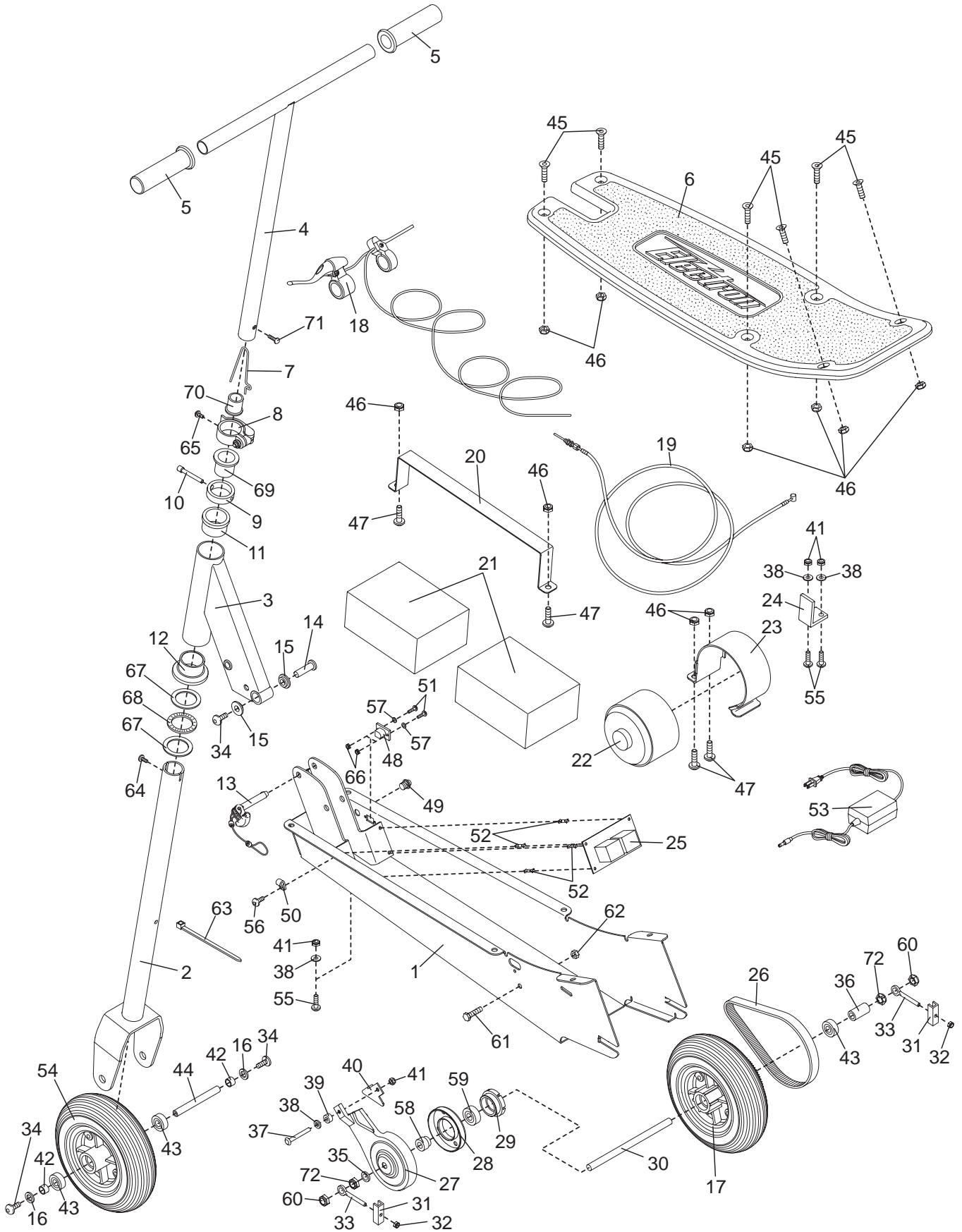
Note: “#” indicates a non-illustrated part. Specifications are subject to change without notice.

How to Order Replacement Parts

To order replacement parts, call toll-free 1-800-999-3756, Monday through Friday, 6 a.m. until 6 p.m. Mountain Time (excluding holidays). When ordering parts, please mention the model number of the scooter (MTSC11701) and the number and description of the needed parts.

Exploded Drawing—Model No. MTSC11701

R0102A



Maintenance and Troubleshooting

Regularly check the scooter and make sure all parts are properly tightened. If the scooter does not function properly, follow the steps below. If assistance is needed, call our Customer Service Department toll-free at 1-800-999-3756. **IMPORTANT: Move the on/off switch to the off position before performing any of the steps below.**

Symptom 1—The motor does not start when the start switch is pulled.

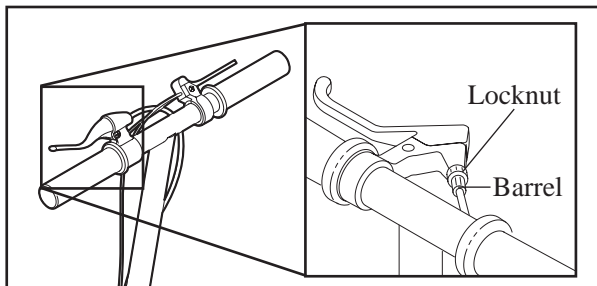
1. Make sure the on/off switch is in the on position.
2. Make sure the batteries are charged.
3. Make sure the brake handle is not being pulled.
4. To protect the motor, the PTC resistor has tripped; allow the scooter to cool down.

Symptom 2—The batteries discharge quickly.

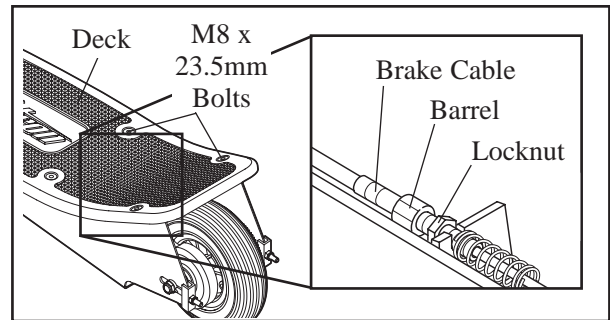
1. Make sure the tires are inflated to the pressure listed on the sides of the tires.
2. Use the scooter on level, smooth surfaces. Avoid using the scooter on grades steeper than 5%.
3. Charge and store the batteries at temperatures between 50°F and 100°F (10°C and 38°C).
4. If the batteries still discharge quickly, new batteries may be needed. Refer to page 6 for instructions.

Symptom 3—The brake is too loose or too tight.

1. Locate the locknut and adjustment barrel on the brake handle. Turn the locknut counterclockwise to loosen it. Next, turn the adjustment barrel counterclockwise to tighten the brake or clockwise to loosen it. Then, turn the locknut clockwise to retighten it. Repeat until the hand brake is properly adjusted.

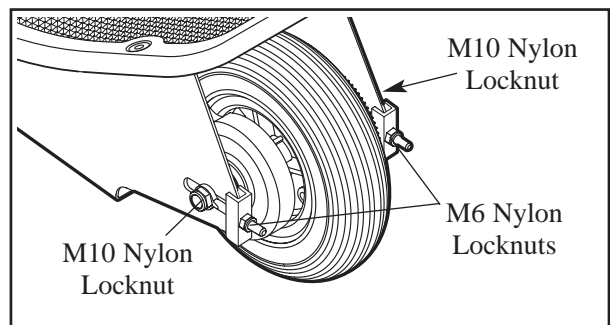


If the hand brake requires further adjustment, the lower end of the brake cable can be adjusted. Remove the six M8 x 23.5mm bolts from the deck, lift off the deck, and locate the adjustment barrel and locknut near the lower end of the brake cable. Using a small open-end wrench, loosen the locknut. Next, turn the adjustment barrel counterclockwise to tighten the brake or clockwise to loosen it. Then, retighten the locknut. Repeat until the hand brake is properly adjusted. When the hand brake is properly adjusted, reattach the deck with the six bolts.



Symptom 4—The drive belt slips.

1. Locate the M10 nylon locknuts and the M6 nylon locknuts near the rear wheel. Loosen the M10 nylon locknuts. To tighten the drive belt, turn both M6 nylon locknuts clockwise. **Make sure the rear wheel is straight** and retighten the M10 nylon locknuts. Repeat this procedure until the drive belt no longer slips.



Symptom 5—The quick release is too loose or too tight.

1. If the quick release doesn't hold the stem tightly, or if the quick release cannot be closed, refer to step 2 on page 4 for adjustment instructions.