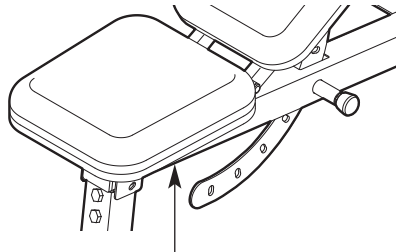


NordicTrack® E125

Model No. NTBE1076.0

Serial No. _____

Write the serial number in the space above for future reference.



Serial Number Decal

USER'S MANUAL

QUESTIONS?

As a manufacturer, we are committed to providing complete customer satisfaction. If you have questions, or if parts are missing, **PLEASE DO NOT CONTACT THE STORE; please contact Customer Care.**

IMPORTANT: You must note the product model number and serial number (see the drawing above) before contacting us:

CALL TOLL-FREE:

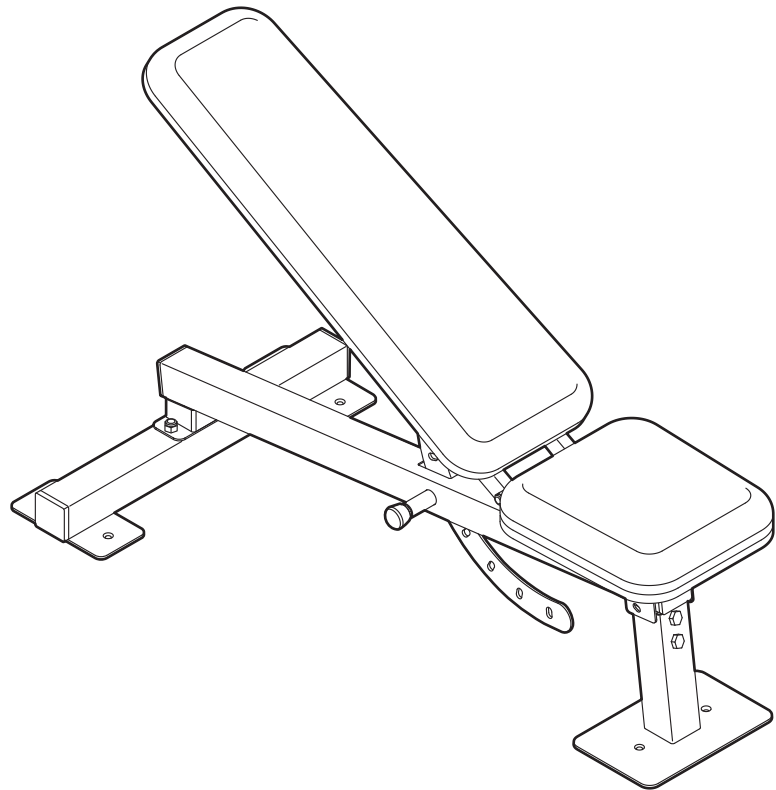
1-888-825-2588

Mon.–Fri. 6 a.m.–6 p.m. MST

Sat. 8 a.m.–4 p.m. MST

ON THE WEB:

www.nordictrackservice.com



CAUTION

Read all precautions and instructions in this manual before using this equipment. Save this manual for future reference.



Visit our website at

www.nordictrack.com

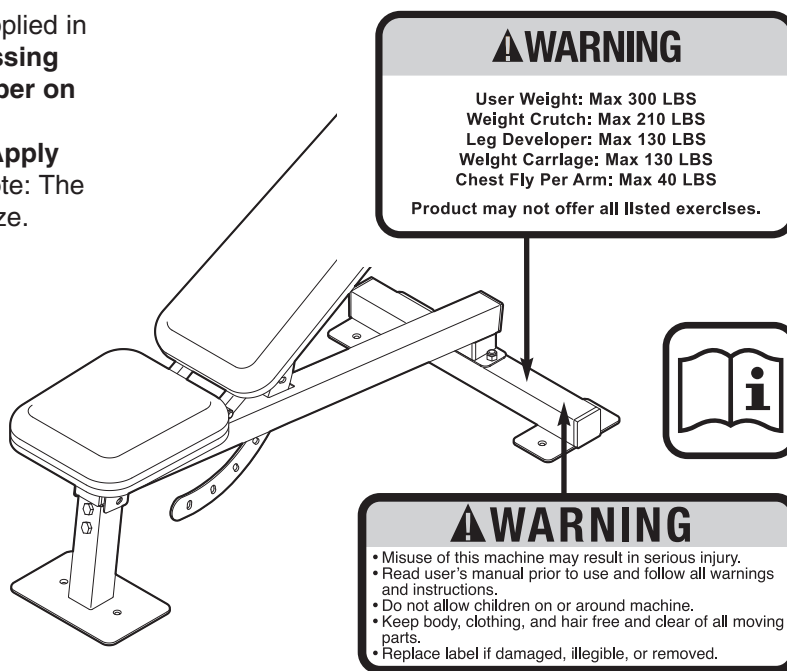
new products, prizes,
fitness tips, and much more!

TABLE OF CONTENTS

WARNING DECAL PLACEMENT	2
IMPORTANT PRECAUTIONS	3
BEFORE YOU BEGIN	4
PART IDENTIFICATION CHART	5
ASSEMBLY	6
ADJUSTMENT	10
EXERCISE GUIDELINES	11
PART LIST	14
EXPLODED DRAWING	15
ORDERING REPLACEMENT PARTS	Back Cover
LIMITED WARRANTY	Back Cover

WARNING DECAL PLACEMENT

The decals shown here have been applied in the locations shown. **If a decal is missing or illegible, call the telephone number on the front cover of this manual and request a free replacement decal. Apply the decal in the location shown.** Note: The decals may not be shown at actual size.



IMPORTANT PRECAUTIONS

⚠️ WARNING: To reduce the risk of serious injury, read all important precautions and instructions in this manual and all warnings on the weight bench before using the weight bench. ICON assumes no responsibility for personal injury or property damage sustained by or through the use of the weight bench.

1. Before beginning any exercise program, consult your physician. This is especially important for persons over the age of 35 or persons with pre-existing health problems.
2. Read all instructions in this manual and all warnings on the weight bench before using the weight bench. Use the weight bench only as described in this manual.
3. It is the responsibility of the owner to ensure that all users of the weight bench are adequately informed of all precautions.
4. The weight bench is intended for home use only. Do not use the weight bench in any commercial, rental, or institutional setting.
5. Keep the weight bench indoors, away from moisture and dust. Place the weight bench on a level surface, with a mat beneath it to protect the floor or carpet. Make sure that there is enough clearance around the weight bench to mount, dismount, and use the weight bench.
6. Keep children under age 12 and pets away from the weight bench at all times.
7. Inspect and properly tighten all parts regularly. Replace any worn parts immediately.
8. Always make sure that the adjustment knob is fully engaged before you use the backrest.
9. Wear appropriate clothes while exercising. Always wear athletic shoes for foot protection while exercising.
10. The weight bench is designed to support a maximum user weight of 300 lbs. (136 kg) and a maximum total weight of 510 lbs. (231 kg). Do not use the weight bench with more than 210 lbs. (95 kg) of weight. Note: The weight bench does not include weights.
11. If you feel pain or dizziness at any time while exercising, stop immediately and begin cooling down.

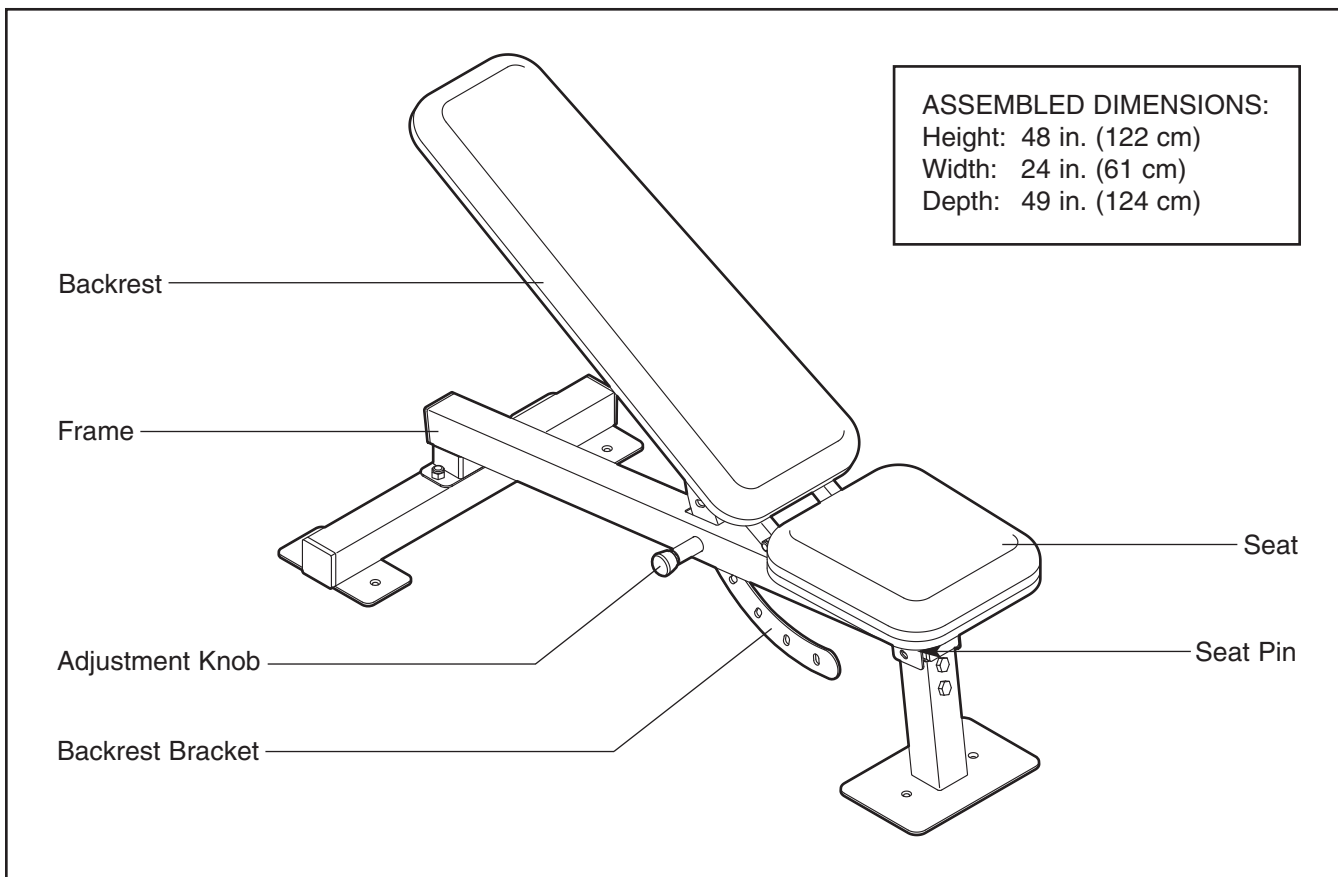
BEFORE YOU BEGIN

Thank you for selecting the versatile NordicTrack® E125 weight bench. The weight bench is designed to be used with your own weights to develop the major muscles of your upper body.

For your benefit, read this manual carefully before using the weight bench. If you have questions after reading this manual, please see the front cover of this

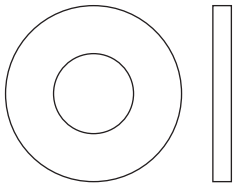
manual. To help us assist you, note the product model number and serial number before contacting us. The model number and the location of the serial number decal are shown on the front cover of this manual.

Before reading further, please review the drawing below and familiarize yourself with the parts that are labeled.

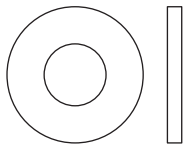


PART IDENTIFICATION CHART

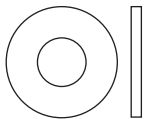
See the drawings below to identify small parts used in assembly. The number in parentheses by each drawing is the key number of the part, from the PART LIST near the end of this manual. **Note: Some small parts may have been preattached. If a part is not in the hardware kit, check to see if it has been preattached.**



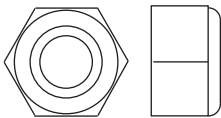
M10 Washer (10)



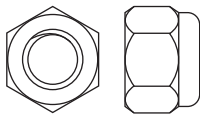
M8 Washer (27)



M6 Washer (3)



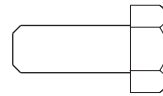
M10 Nylon Locknut (12)



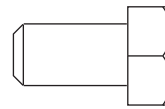
M8 Nylon Locknut (28)



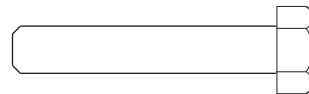
M4 x 15mm Screw (20)



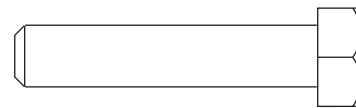
M6 x 15mm Screw (21)



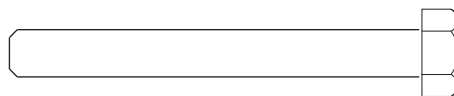
M8 x 15mm Screw (19)



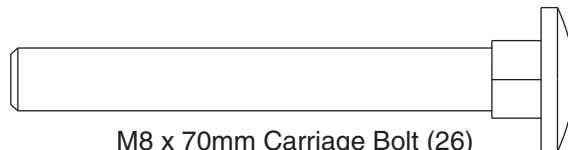
M6 x 35mm Screw (22)



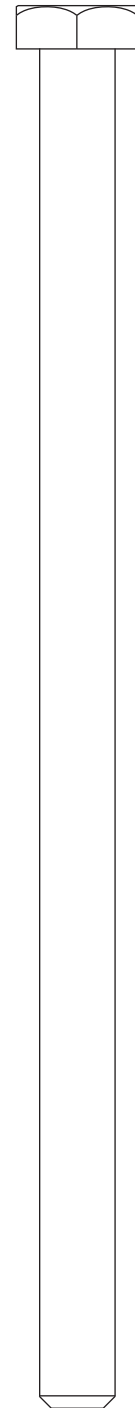
M8 x 40mm Bolt (25)



M6 x 55mm Screw (24)



M8 x 70mm Carriage Bolt (26)



M10 x 180mm Bolt (23)

ASSEMBLY

Make Assembly Easier

Everything in this manual is designed to ensure that the weight bench can be assembled successfully by almost anyone. By setting aside plenty of time, assembly will go smoothly

Before beginning assembly, carefully read the following information and instructions:

- Assembly requires two persons.
- Because of its size, the weight bench should be assembled in the location where it will be used. Make sure that there is enough clearance to walk around the weight bench as you assemble it.
- Place all parts in a cleared area and remove the packing materials. Do not dispose of the packing materials until assembly is completed.

- For help identifying small parts, use the PART IDENTIFICATION CHART on page 5.
- As you assemble the weight bench, make sure all parts are oriented as shown in the drawings.
- Tighten all parts as you assemble them, unless instructed to do otherwise.
- Assembly requires the following tools (not included):

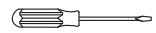
two adjustable wrenches



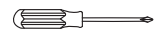
one rubber mallet



one standard screwdriver



one Phillips screwdriver



Assembly may be more convenient if you have a socket set, a set of open-end or closed-end wrenches, or a set of ratchet wrenches.

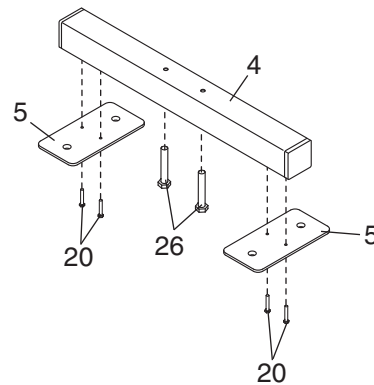
1.

Before beginning assembly, make sure that you have read and understand the information in the box above.

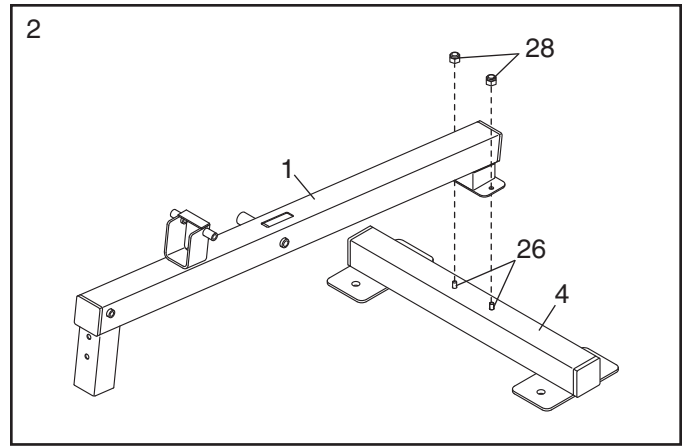
Attach the two Rear Stabilizers (5) to the Base (4) with four M4 x 15mm Screws (20).

Insert two M8 x 70mm Carriage Bolts (26) up through the Base (4). **Note: It may be helpful to place a piece of tape over the Carriage Bolts to hold them in place.**

1

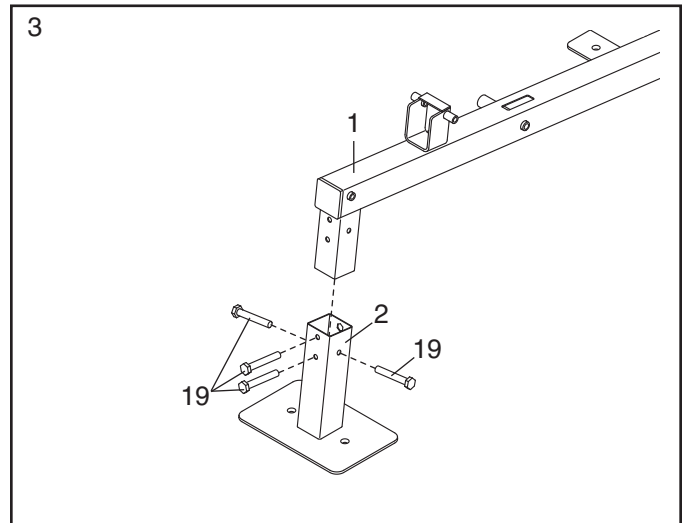


- Attach the Frame (1) to the Base (4) with the two M8 x 70mm Carriage Bolts (26) and two M8 Nylon Locknuts (28). **Do not tighten the Nylon Locknuts yet.**



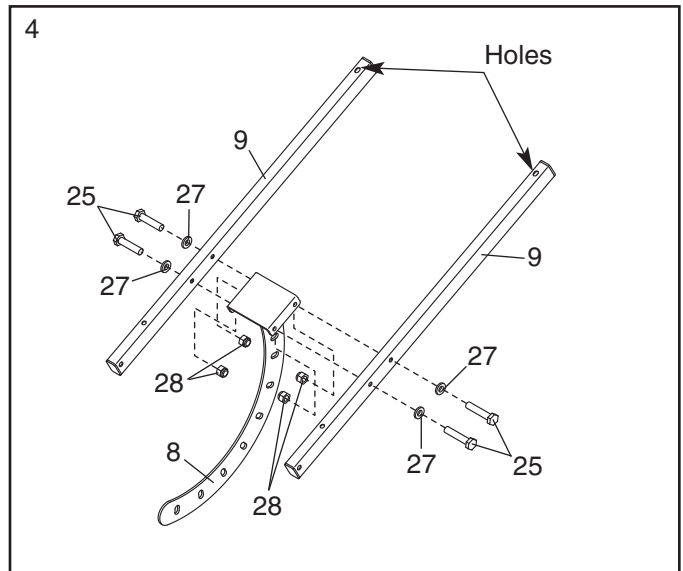
- Attach the Front Leg (2) to the Frame (1) with four M8 x 15mm Screws (19).

See step 2. Tighten the M8 Nylon Locknuts (28).

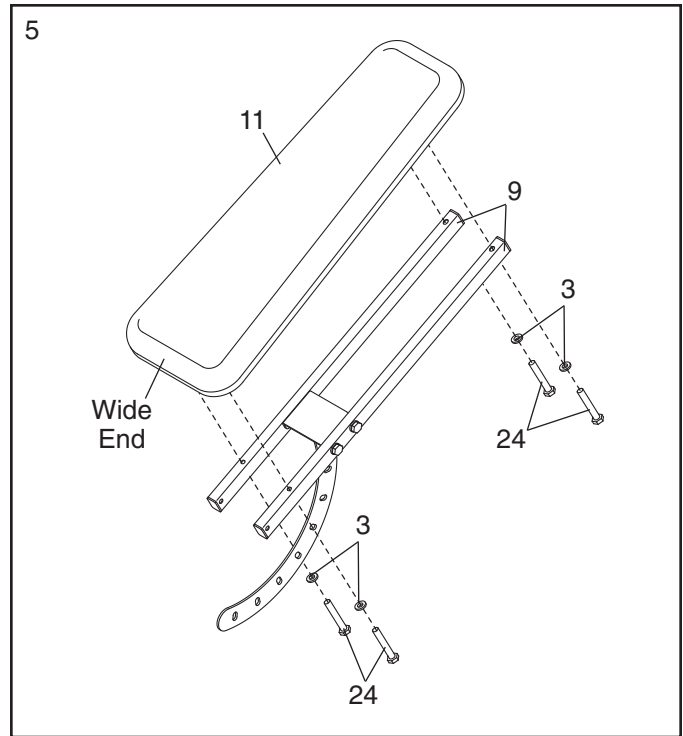


- Orient the Backrest Tubes (9) so that the indicated holes are in the positions shown.

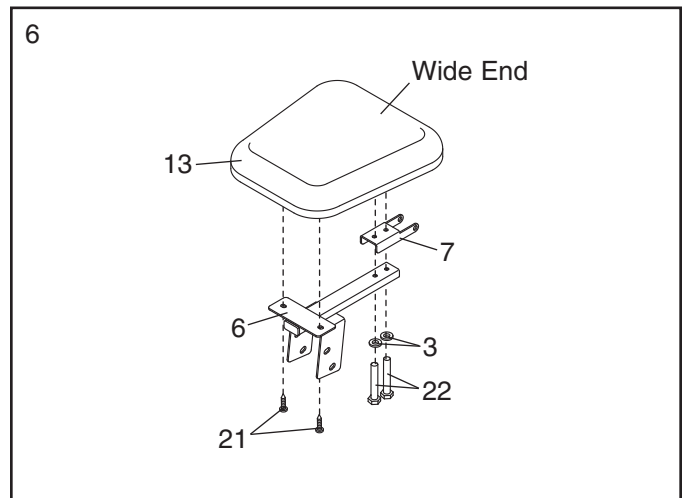
Attach the Backrest Bracket (8) to the Backrest Tubes (9) with four M8 x 40mm Bolts (25), four M8 Washers (27), and four M8 Nylon Locknuts (28). **Do not tighten the Nylon Locknuts yet.**



5. Attach the Backrest (11) to the Backrest Tubes (9) with four M6 x 55mm Screws (24) and four M6 Washers (3). **Do not tighten the Screws yet.**



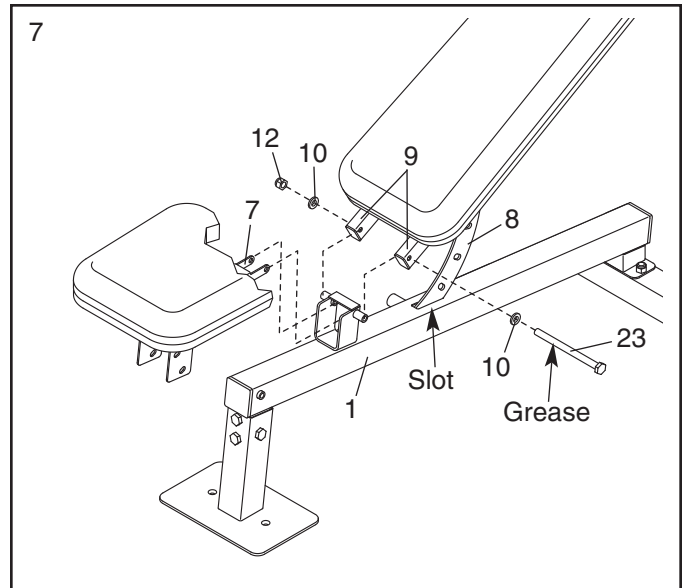
6. Attach the Seat (13) and the Seat Plate (7) to the Seat Frame (6) with two M6 x 15mm Screws (21), two M6 x 35mm Screws (22), and two M6 Washers (3).



7. Insert the Backrest Bracket (8) into the slot in the Frame (1) as shown. Next, grease an M10 x 180mm Bolt (23). Attach the Seat Plate (7) and the Backrest Tubes (9) to the Frame with the Bolt, two M10 Washers (10), and an M10 Nylon Locknut (12). **Do not overtighten the Nylon Locknut; the Seat Bracket and the Backrest Tubes must pivot easily.**

See step 4. Tighten the M8 Nylon Locknuts (28).

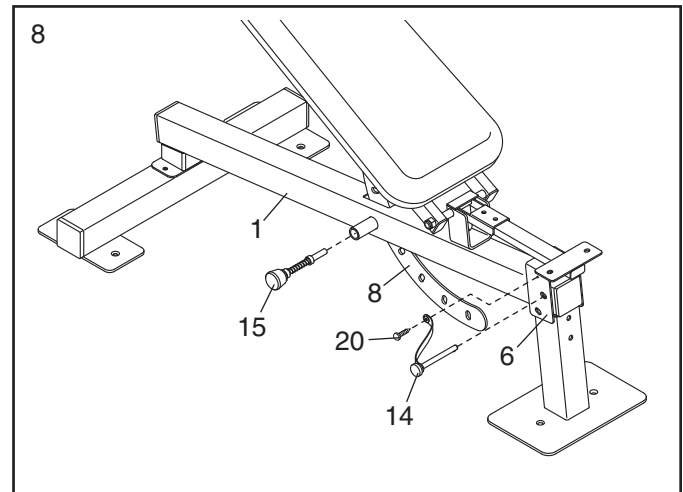
See step 5. Tighten the M6 x 55mm Screws (24).



8. Note: For clarity, the seat is not shown in this step.

Tighten the Adjustment Knob (15) into the Frame (1); **make sure that the Adjustment Knob is engaged in a hole in the Backrest Bracket (8).**

Attach the Seat Pin (14) to the Seat Frame (6) with an M4 x 15mm Screw (20). Then, insert the Seat Pin into a hole in the Seat Frame and the Frame (1).



9. Make sure that all parts are properly tightened before you use the weight bench. The use of the remaining parts will be explained in ADJUSTMENT, beginning on page 10.

ADJUSTMENT

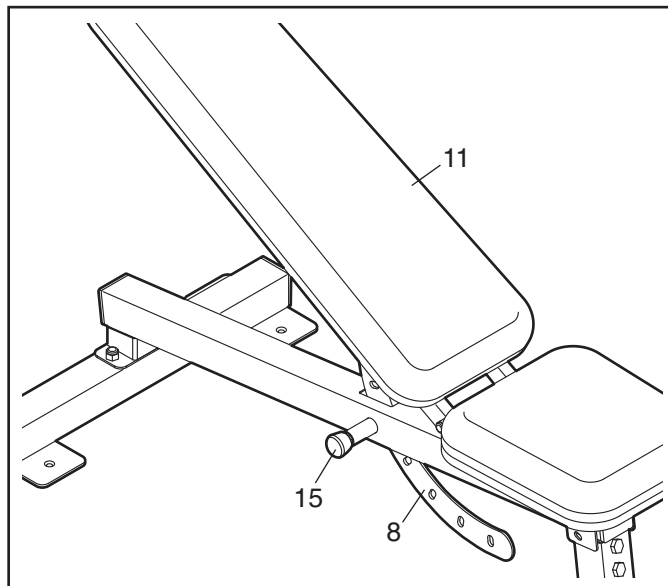
This section explains how to adjust the weight bench. See the EXERCISE GUIDELINES on page 11 for important information about how to get the most benefit from your exercise program. Also, refer to the accompanying exercise guide to see the correct form for several exercises.

Make sure all parts are properly tightened each time you use the weight bench. Replace any worn parts immediately. The weight bench can be cleaned with a damp cloth and a mild, non-abrasive detergent; **do not use solvents.**

ADJUSTING THE BACKREST

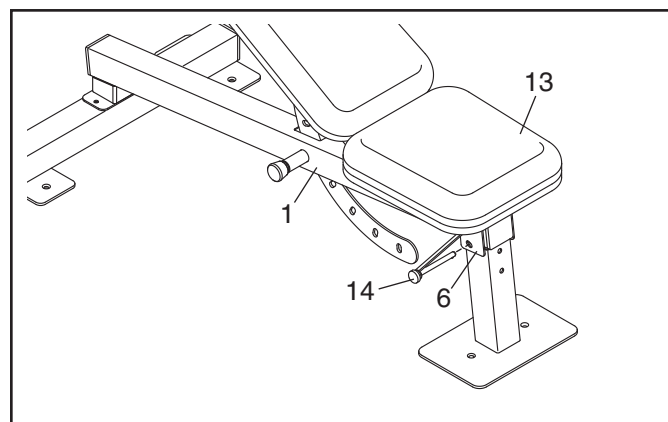
To adjust the position of the Backrest (11), first pull the Adjustment Knob (15). Then, raise or lower the Backrest to the desired position, and reengage the Adjustment Knob into the Backrest Bracket (8).

Make sure that the Adjustment Knob is inserted into one of the holes in the Backrest Bracket.



ADJUSTING THE SEAT

To adjust the Seat (13), first remove the Seat Pin (14). Then, raise or lower the Seat to the desired position, and reengage the Seat Pin into the Seat Frame (6) and the Frame (1).



EXERCISE GUIDELINES

THE FOUR BASIC TYPES OF WORKOUTS

Muscle Building

To increase the size and strength of your muscles, push them close to their maximum capacity. Your muscles will continually adapt and grow as you progressively increase the intensity of your exercise. You can adjust the intensity level of an individual exercise in two ways:

- by changing the amount of resistance used
- by changing the number of repetitions or sets performed. (A “repetition” is one complete cycle of an exercise, such as one sit-up. A “set” is a series of repetitions.)

The proper amount of resistance for each exercise depends upon the individual user. You must gauge your limits and select the amount of resistance that is right for you. Begin with 3 sets of 8 repetitions for each exercise you perform. Rest for 3 minutes after each set. When you can complete 3 sets of 12 repetitions without difficulty, increase the amount of resistance.

Toning

You can tone your muscles by pushing them to a moderate percentage of their capacity. Select a moderate amount of resistance and increase the number of repetitions in each set. Complete as many sets of 15 to 20 repetitions as possible without discomfort. Rest for 1 minute after each set. Work your muscles by completing more sets rather than by using high amounts of resistance.

Weight Loss

To lose weight, use a low amount of resistance and increase the number of repetitions in each set. Exercise for 20 to 30 minutes, resting for a maximum of 30 seconds between sets.

Cross Training

Cross training is an efficient way to get a complete and well-balanced fitness program. An example of a balanced program follows:

- Plan strength training workouts on Monday, Wednesday, and Friday.
- Plan 20 to 30 minutes of aerobic exercise, such as running on a treadmill or riding on an elliptical exerciser or exercise cycle, on Tuesday and Thursday.
- Rest from both strength training and aerobic exercise for at least one full day each week to give your body time to regenerate.

The combination of strength training and aerobic exercise will reshape and strengthen your body, plus develop your heart and lungs.

PERSONALIZING YOUR EXERCISE PROGRAM

Determining the appropriate length of time for each workout, and the numbers of repetitions and sets to complete, is an individual matter. Avoid overdoing it during the first few months of your exercise program. Progress at your own pace and be sensitive to your body’s signals. If you experience pain or dizziness while exercising, stop immediately and cool down. Find out what is wrong before continuing. Remember that adequate rest and a proper diet are important factors in any exercise program.

WARMING UP

Begin each workout with 5 to 10 minutes of stretching and light exercise to warm up. Warming up prepares your body for more strenuous exercise by increasing circulation, raising your body temperature and delivering more oxygen to your muscles.

WORKING OUT

Each workout should include 6 to 10 different exercises. Select exercises for every major muscle group, emphasizing areas that you want to develop most. To give balance and variety to your workouts, vary the exercises from workout to workout.

Schedule your workouts for the time of day when your energy level is the highest. Each workout should be followed by at least one day of rest. Once you find the schedule that is right for you, stick with it.

EXERCISE FORM

Maintaining proper form is an essential part of an effective exercise program. This requires moving through the full range of motion for each exercise, and moving only the appropriate parts of the body. Exercising in an uncontrolled manner will leave you feeling exhausted. On the exercise guide accompanying this manual you will find photographs showing the correct form for several exercises, and a list of the muscles affected. See the muscle chart on the next page to find the names of the muscles.

Perform the repetitions in each set smoothly and without pausing. The exertion stage of each repetition should last about half as long as the return stage. Proper breathing is important; exhale during the exertion stage of each repetition and inhale during the return stroke. Never hold your breath.

Rest for a short period of time after each set as follows:

- Rest for three minutes after each set for a muscle-building workout.
- Rest for one minute after each set for a toning workout.
- Rest for 30 seconds after each set for a weight loss workout.

Plan to spend the first couple of weeks familiarizing yourself with the equipment and learning the proper form for each exercise.

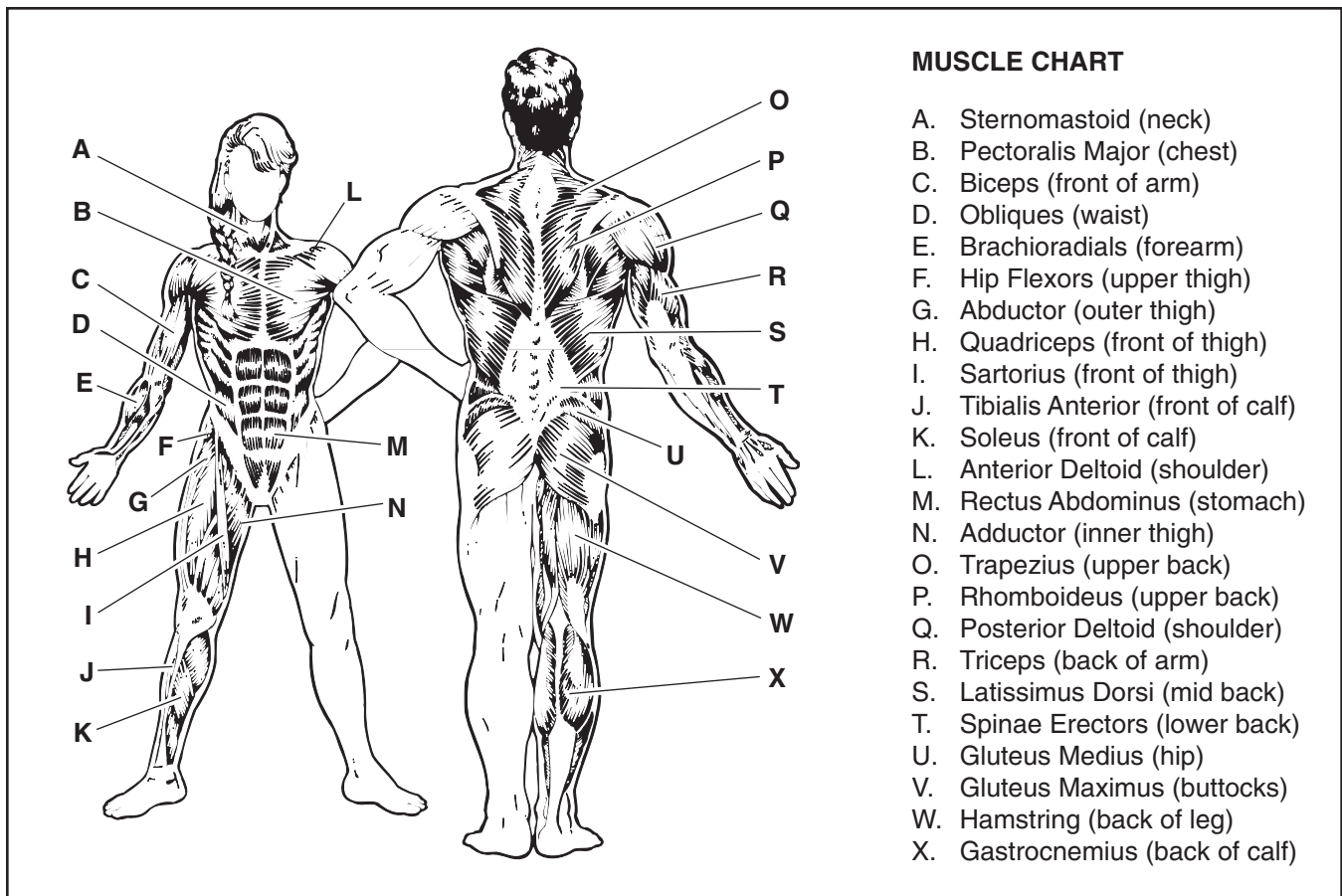
COOLING DOWN

End each workout with 5 to 10 minutes of stretching. Include stretches for both your arms and legs. Move

slowly as you stretch and do not bounce. Ease into each stretch gradually and go only as far as you can without strain. Stretching at the end of each workout is an effective way to increase flexibility.

STAYING MOTIVATED

For motivation, keep a record of each workout. List the date, the exercises performed, the resistance used, and the numbers of sets and repetitions completed. Record your weight and key body measurements at the end of every month. Remember, the key to achieving the greatest results is to make exercise a regular and enjoyable part of your everyday life.



MONDAY Date: _____ / ____ / ____	EXERCISE	WEIGHT	SETS	REPS

TUESDAY **AEROBIC EXERCISE**
 Date: _____ / ____ / ____

WEDNESDAY Date: _____ / ____ / ____	EXERCISE	WEIGHT	SETS	REPS

THURSDAY **AEROBIC EXERCISE**
 Date: _____ / ____ / ____

FRIDAY Date: _____ / ____ / ____	EXERCISE	WEIGHT	SETS	REPS

Make photocopies of this page for scheduling and recording your workouts.

PART LIST—Model No. NTBE1076.0

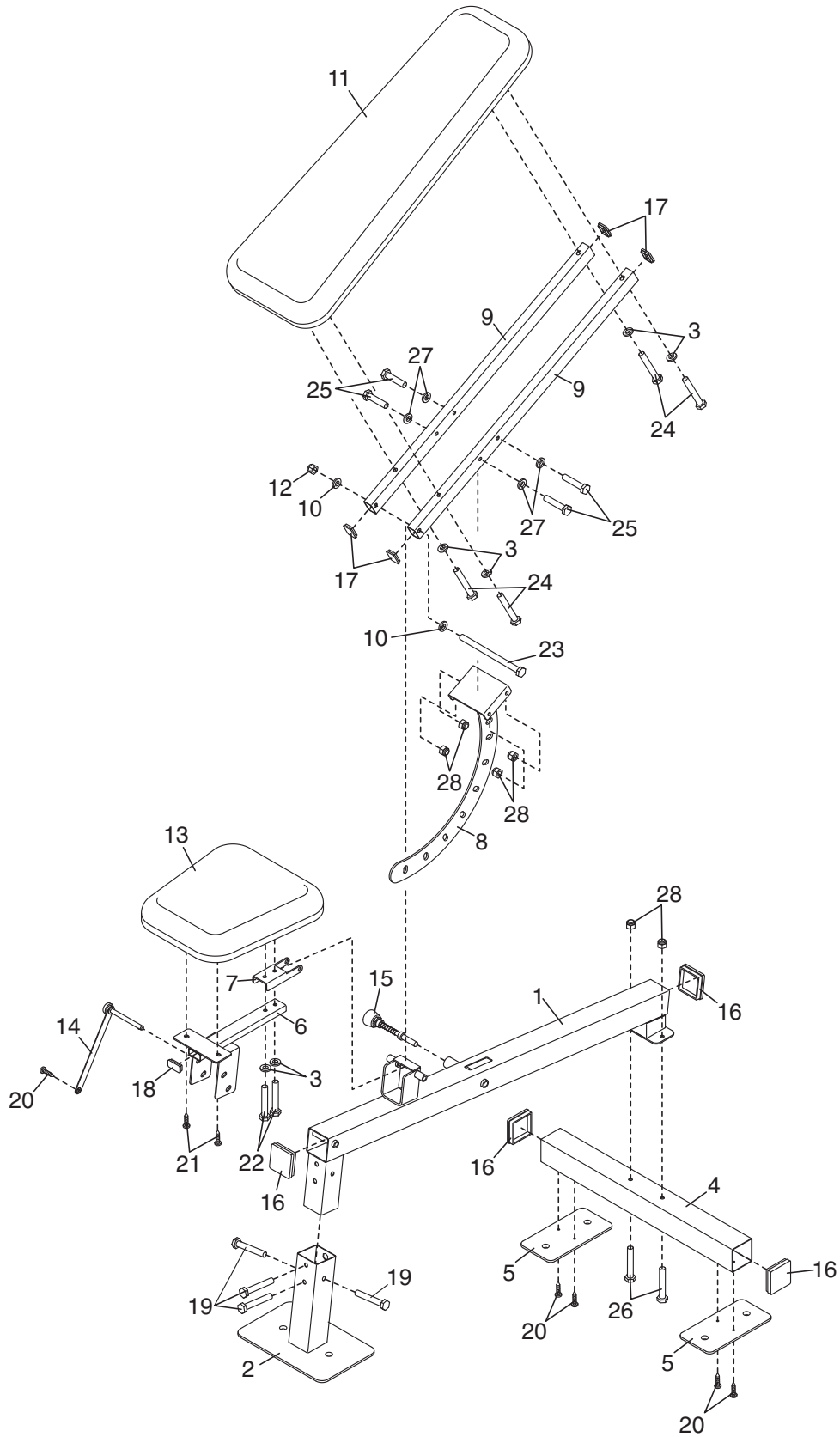
R1207A

Key No.	Qty.	Description	Key No.	Qty.	Description
1	1	Frame	17	4	40mm x 25mm Cap
2	1	Front Leg	18	1	40mm x 20mm Cap
3	6	M6 Washer	19	4	M8 x 15mm Screw
4	1	Base	20	5	M4 x 15mm Screw
5	2	Rear Stabilizer	21	2	M6 x 15mm Screw
6	1	Seat Frame	22	2	M6 x 35mm Screw
7	1	Seat Plate	23	1	M10 x 180mm Bolt
8	1	Backrest Bracket	24	4	M6 x 55mm Screw
9	2	Backrest Tube	25	4	M8 x 40mm Bolt
10	2	M10 Washer	26	2	M8 x 70mm Carriage Bolt
11	1	Backrest	27	4	M8 Washer
12	1	M10 Nylon Locknut	28	6	M8 Nylon Locknut
13	1	Seat	*	—	User's Manual
14	1	Seat Pin	*	—	Exercise Guide
15	1	Adjustment Knob	*	—	Grease Packet
16	4	60mm Square Cap	*	—	Hex Key

Note: Specifications are subject to change without notice. See the back cover of this manual for information about ordering replacement parts. *These parts are not illustrated.

EXPLODED DRAWING—Model No. NTBE1076.0

R1207A



ORDERING REPLACEMENT PARTS

To order replacement parts, please see the front cover of this manual. To help us assist you, be prepared to provide the following information when contacting us:

- the model number and serial number of the product (see the front cover of the manual)
- the name of the product (see the front cover of this manual)
- the key number and description of the part(s) (see the PART LIST and the EXPLODED DRAWING near the end of this manual)

LIMITED WARRANTY

ICON Health & Fitness, Inc. (ICON) warrants this product to be free from defects in workmanship and material, under normal use and service conditions, for a period of ninety (90) days from the date of purchase. This warranty extends only to the original purchaser. ICON's obligation under this warranty is limited to replacing or repairing, at ICON's option, the product through one of its authorized service centers. All repairs for which warranty claims are made must be preauthorized by ICON. If the product is shipped to a service center, freight charges to and from the service center will be the customer's responsibility. For in-home service, the customer will be responsible for a minimal trip charge. This warranty does not extend to any product or damage to a product caused by or attributable to freight damage, abuse, misuse, improper or abnormal usage or repairs not provided by an ICON authorized service center; products used for commercial or rental purposes; or products used as store display models. No other warranty beyond that specifically set forth above is authorized by ICON.

ICON is not responsible or liable for indirect, special or consequential damages arising out of or in connection with the use or performance of the product or damages with respect to any economic loss, loss of property, loss of revenues or profits, loss of enjoyment or use, costs of removal or installation or other consequential damages of whatsoever nature. Some states do not allow the exclusion or limitation of incidental or consequential damages. Accordingly, the above limitation may not apply to you.

The warranty extended hereunder is in lieu of any and all other warranties and any implied warranties of merchantability or fitness for a particular purpose is limited in its scope and duration to the terms set forth herein. Some states do not allow limitations on how long an implied warranty lasts. Accordingly, the above limitation may not apply to you.

This warranty gives you specific legal rights. You may also have other rights which vary from state to state.

ICON HEALTH & FITNESS, INC., 1500 S. 1000 W., LOGAN, UT 84321-9813