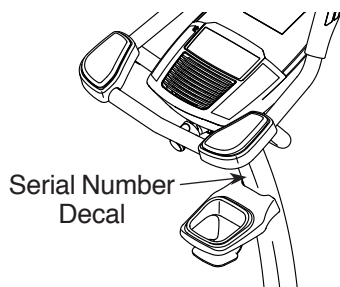


# NordicTrack® U 60

**Model No. NTEVEX78915.1**

**Serial No.** \_\_\_\_\_

Write the serial number in the space above for reference.



## USER'S MANUAL

### CUSTOMER SERVICE

#### UNITED KINGDOM

**Call:** 0330 123 1045

**From Ireland:** 053 92 36102

**Website:** [iconsupport.eu](http://iconsupport.eu)

**E-mail:** [csuk@iconeurope.com](mailto:csuk@iconeurope.com)

**Write:**

ICON Health & Fitness, Ltd.

Unit 4, Westgate Court

Silkwood Park

OSSETT

WF5 9TT

UNITED KINGDOM

#### AUSTRALIA

**Call:** 1800 993 770

**E-mail:** [australiacc@iconfitness.com](mailto:australiacc@iconfitness.com)

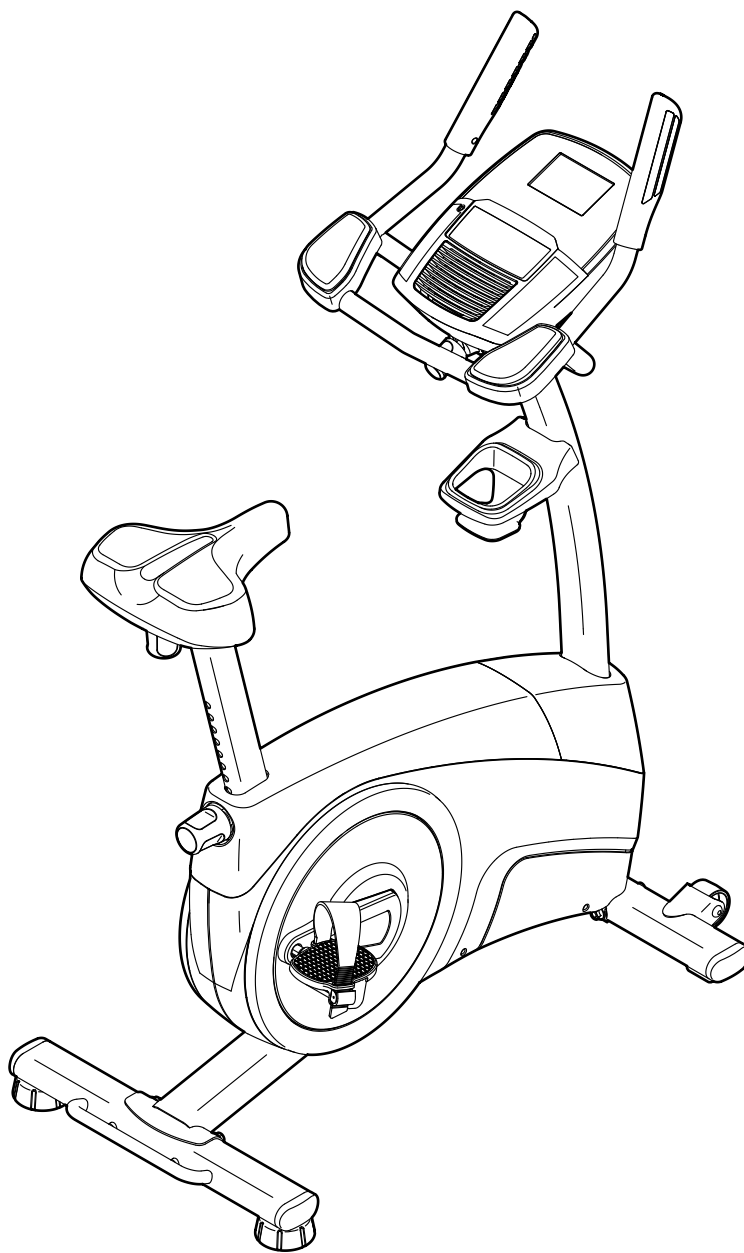
**Write:**

ICON Health & Fitness

PO Box 635

WINSTON HILLS NSW 2153

AUSTRALIA



### CAUTION

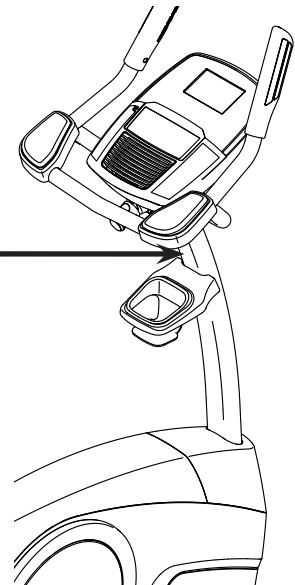
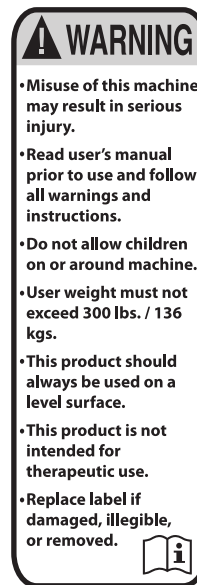
Read all precautions and instructions in this manual before using this equipment. Keep this manual for future reference.

# TABLE OF CONTENTS

WARNING DECAL PLACEMENT .....	2
IMPORTANT PRECAUTIONS .....	3
BEFORE YOU BEGIN .....	4
PART IDENTIFICATION CHART .....	5
ASSEMBLY .....	6
HOW TO USE THE EXERCISE BIKE .....	12
MAINTENANCE AND TROUBLESHOOTING .....	22
EXERCISE GUIDELINES .....	24
PART LIST .....	25
EXPLODED DRAWING .....	26
ORDERING REPLACEMENT PARTS .....	Back Cover
RECYCLING INFORMATION .....	Back Cover

## WARNING DECAL PLACEMENT

This drawing shows the location(s) of the warning decal(s). **If a decal is missing or illegible, see the front cover of this manual and request a free replacement decal. Apply the decal in the location shown.** Note: The decal(s) may not be shown at actual size.



---

# IMPORTANT PRECAUTIONS

**⚠ WARNING:** To reduce the risk of serious injury, read all important precautions and instructions in this manual and all warnings on your exercise bike before using your exercise bike. ICON assumes no responsibility for personal injury or property damage sustained by or through the use of this product.

1. It is the responsibility of the owner to ensure that all users of the exercise bike are adequately informed of all precautions.
2. Before beginning any exercise program, consult your physician. This is especially important for persons over age 35 or persons with pre-existing health problems.
3. The exercise bike is not intended for use by persons with reduced physical, sensory, or mental capabilities or lack of experience and knowledge, unless they are given supervision or instruction about use of the exercise bike by someone responsible for their safety.
4. Use the exercise bike only as described in this manual.
5. The exercise bike is intended for home use only. Do not use the exercise bike in a commercial, rental, or institutional setting.
6. Keep the exercise bike indoors, away from moisture and dust. Do not put the exercise bike in a garage or covered patio, or near water.
7. Place the exercise bike on a level surface with at least 2 ft. (0.6 m) of clearance around the exercise bike. To protect the floor or carpet from damage, place a mat under the exercise bike.
8. Inspect and properly tighten all parts each time the exercise bike is used. Replace any worn parts immediately.
9. Keep children under age 13 and pets away from the exercise bike at all times.
10. Wear appropriate clothes while exercising; do not wear loose clothes that could become caught on the exercise bike. Always wear athletic shoes for foot protection.
11. The exercise bike should not be used by persons weighing more than 300 lbs. (136 kg).
12. Be careful when mounting and dismounting the exercise bike.
13. The heart rate monitor is not a medical device. Various factors, including the user's movement, may affect the accuracy of heart rate readings. The heart rate monitor is intended only as an exercise aid in determining heart rate trends in general.
14. Always keep your back straight while using the exercise bike; do not arch your back.
15. Over exercising may result in serious injury or death. If you feel faint, if you become short of breath, or if you experience pain while exercising, stop immediately and cool down.

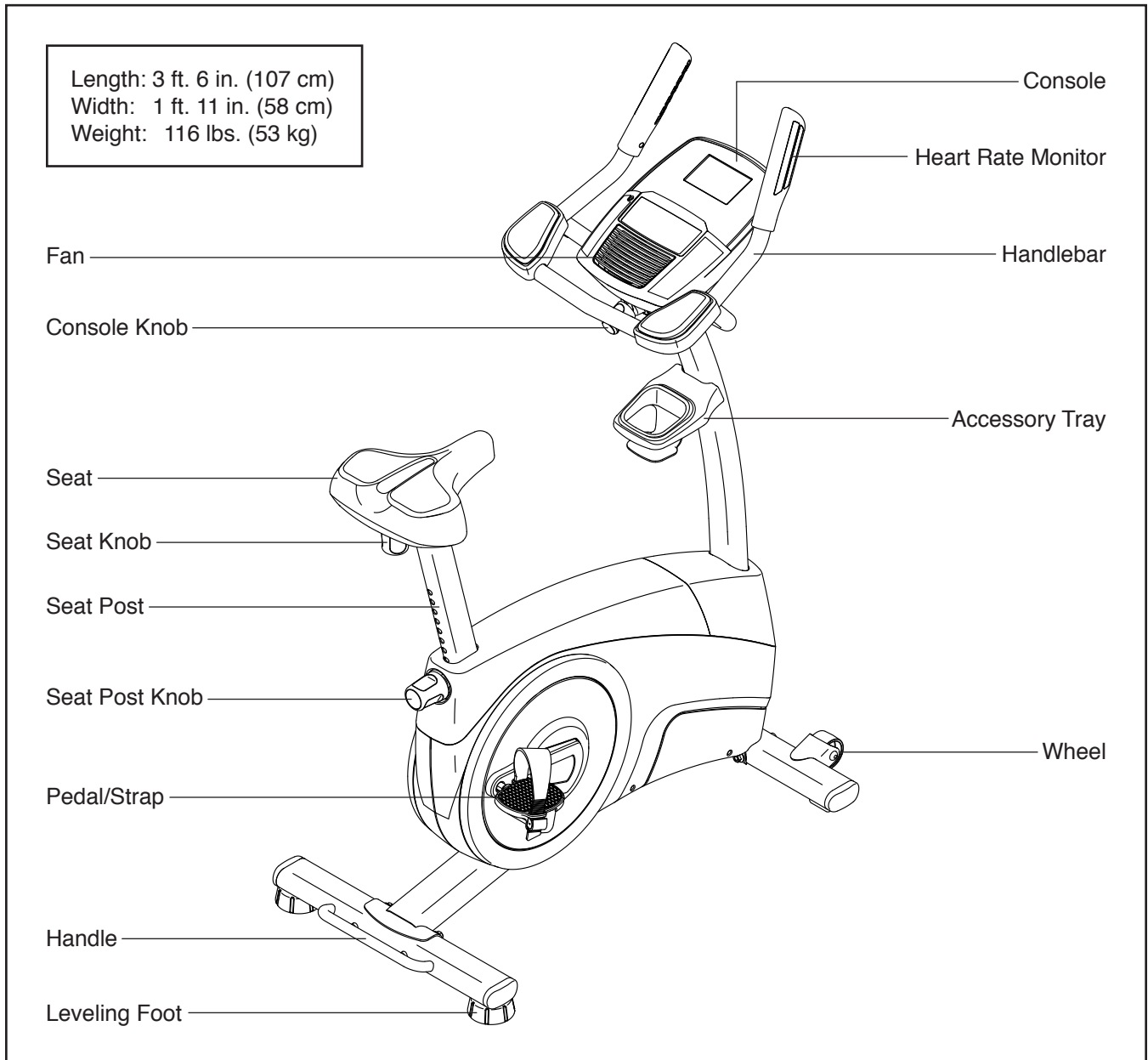
# BEFORE YOU BEGIN

Thank you for selecting the revolutionary NORDICTRACK® U 60 exercise bike. Cycling is one of the most effective exercises for increasing cardiovascular fitness, building endurance, and toning the entire body. The U 60 exercise bike provides an impressive selection of features designed to make your workouts at home more effective and enjoyable.

**For your benefit, read this manual carefully before you use the exercise bike.** If you have questions after

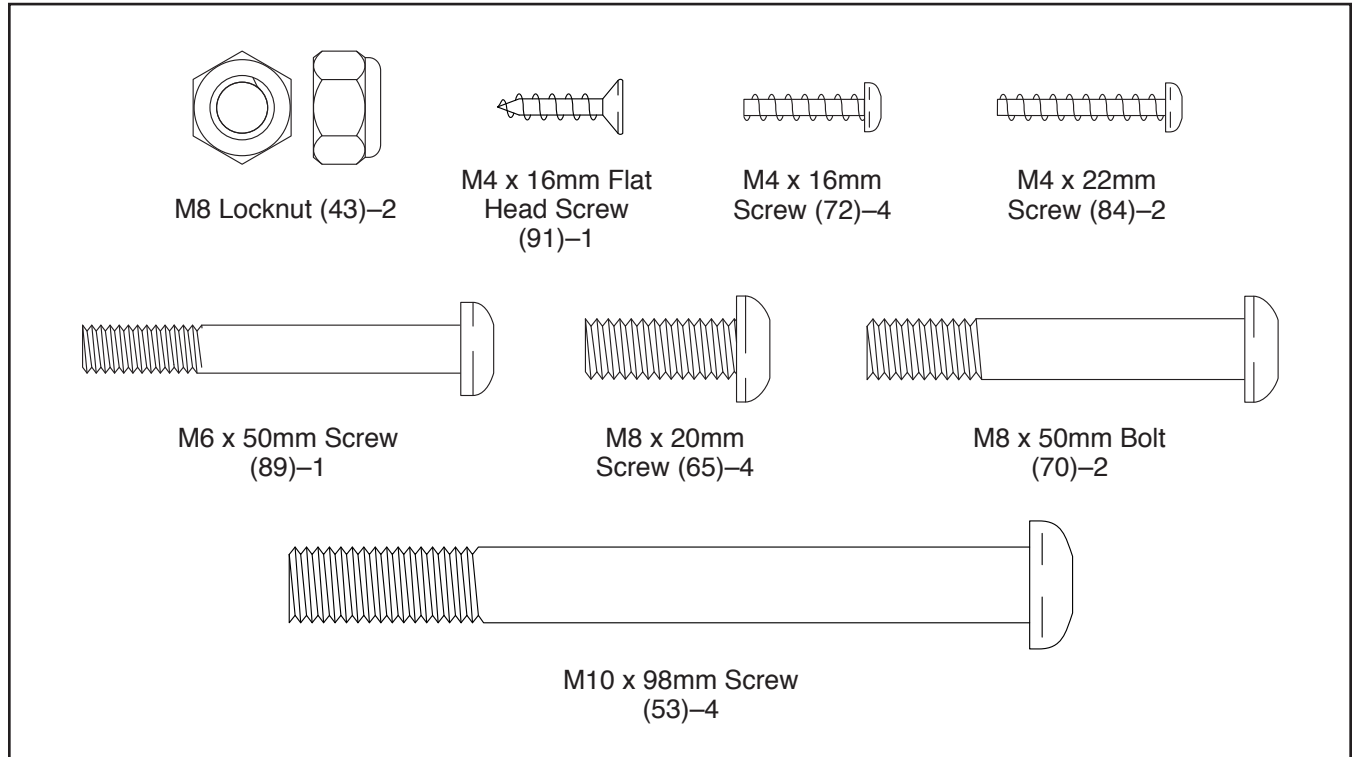
reading this manual, please see the front cover of this manual. To help us assist you, note the product model number and serial number before contacting us. The model number and the location of the serial number decal are shown on the front cover of this manual.

Before reading further, please familiarize yourself with the parts that are labeled in the drawing below.



# PART IDENTIFICATION CHART

Use the drawings below to identify the small parts needed for assembly. The number in parentheses below each drawing is the key number of the part, from the PART LIST near the end of this manual. The number following the key number is the quantity needed for assembly. **Note: If a part is not in the hardware kit, check to see whether it has been preassembled. Extra parts may be included.**

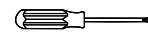


# ASSEMBLY

- Assembly requires two persons.
- Place all parts in a cleared area and remove the packing materials. Do not dispose of the packing materials until you finish all assembly steps.
- Left parts are marked “L” or “Left” and right parts are marked “R” or “Right.”
- To identify small parts, see page 5.

- In addition to the included tool(s), assembly requires the following tools:

one Phillips screwdriver



one adjustable wrench



Assembly may be easier if you have a set of wrenches. To avoid damaging parts, do not use power tools.

1. **To register your product and activate your warranty in the UK**, go to [iconsupport.eu](http://iconsupport.eu). If you do not have internet access, call Customer Service (see the front cover of this manual).

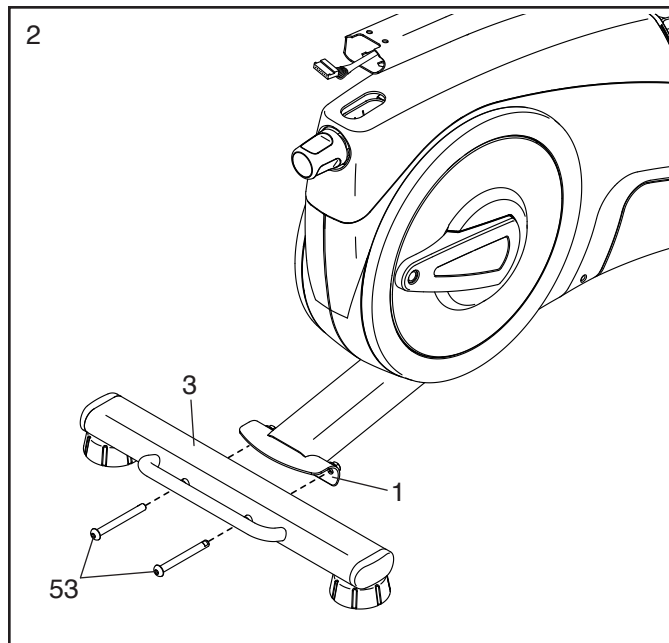
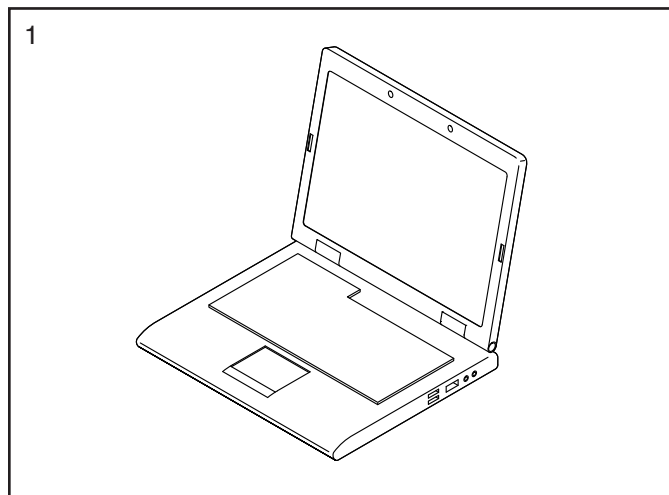
**To register your product and activate your warranty in Australia**, email or post the following information to the email address or postal address on the front cover of this manual.

- your receipt (make sure to keep a copy)
- your name, address, and telephone number
- the model number, serial number, and name of your product (see the front cover of this manual)

2. Set a sturdy piece of packing material under the rear of the Frame (1).

Attach the Rear Stabilizer (3) to the Frame (1) with two M10 x 98mm Screws (53).

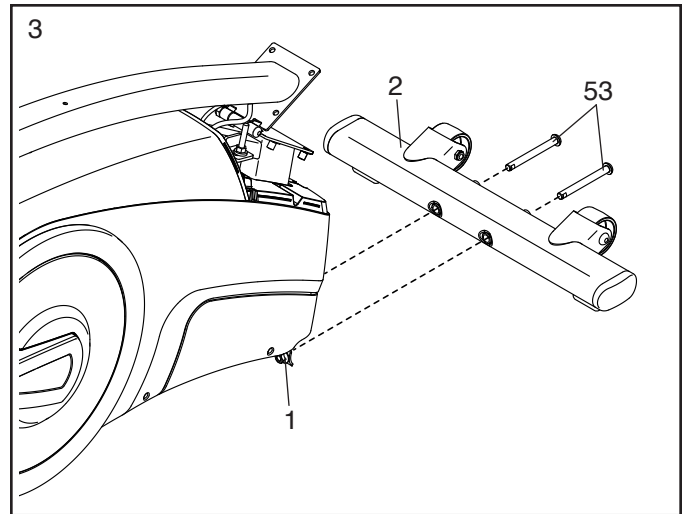
Then, remove the packing material.



3. Set a sturdy piece of packing material under the front of the Frame (1).

Attach the Front Stabilizer (2) to the Frame (1) with two M10 x 98mm Screws (53).

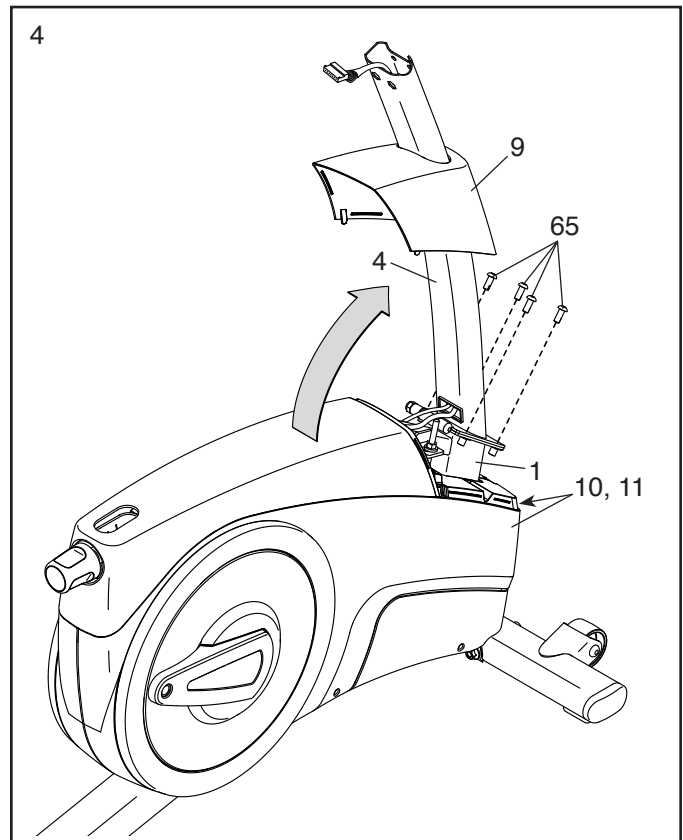
Then, remove the packing material.



4. Raise the Upright (4) to the vertical position. **Have a second person hold the Upright until you complete this step.**

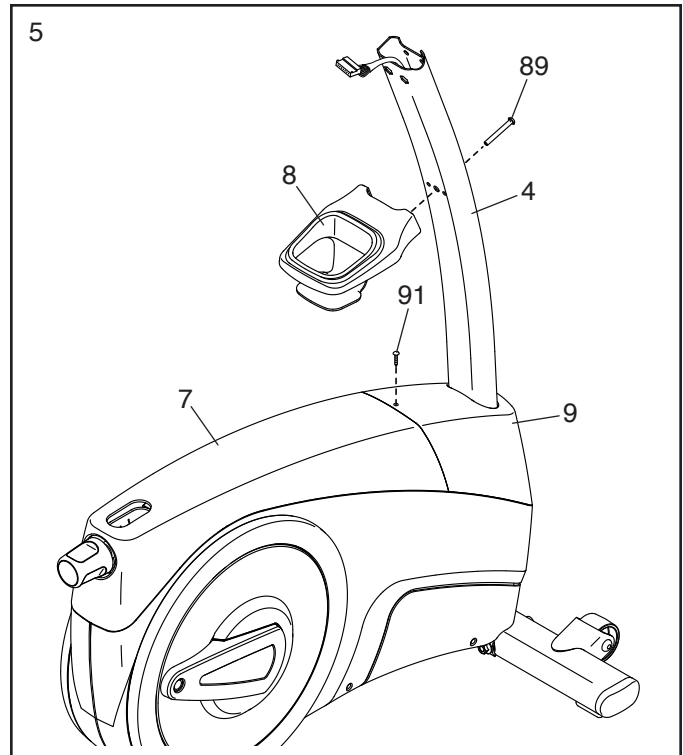
Attach the Upright (4) to the Frame (1) with four M8 x 20mm Screws (65); **start all the Screws, and then tighten them.**

Next, orient the Front Shield Cover (9) as shown, and slide it downward onto the Upright (4). Then, press the Front Shield Cover onto the Right and Left Shields (10, 11).



5. Attach the Front Shield Cover (9) to the Rear Shield Cover (7) with an M4 x 16mm Flat Head Screw (91).

Then, attach the Accessory Tray (8) to the Upright (4) with an M6 x 50mm Screw (89).

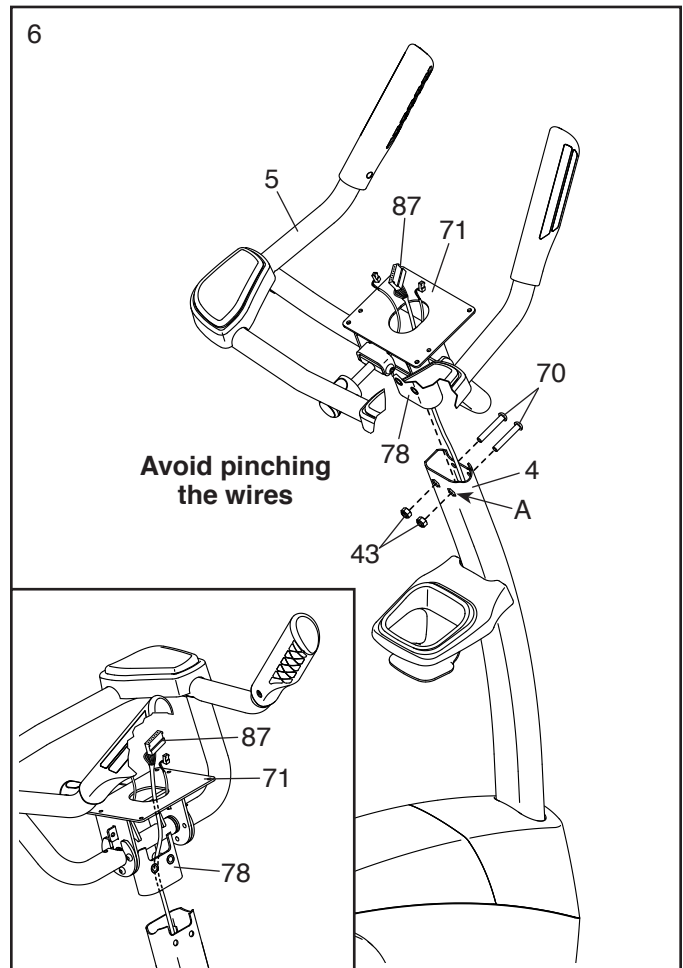


6. Have a second person hold the Handlebar (5) near the Upright (4).

**See the inset drawing.** Route the Upper Wire (87) through the Pivot Post (78) and the Pivot Bracket (71) as shown.

**Tip: Avoid pinching the wires.** Insert the Pivot Post (78) into the Upright (4).

Attach the Pivot Post (78) with two M8 x 50mm Bolts (70) and two M8 Locknuts (43); **make sure that the Locknuts are in the hexagonal holes (A).**

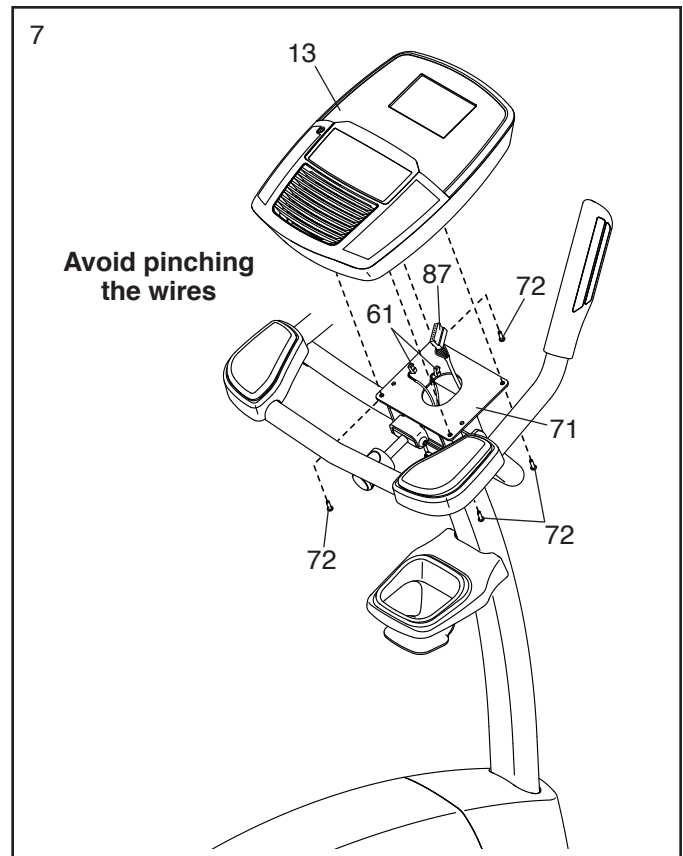


7. While a second person holds the Console (13) near the Pivot Bracket (71), plug the Upper Wire (87) and the two Pulse Wires (61) into the receptacles on the Console.

**IMPORTANT: The connectors on the Wires (61, 87) should slide easily into the receptacles and snap into place. If a connector does not slide easily, turn the connector and try again. If you do not insert the connectors properly, the Console (13) may become damaged when you use the exercise bike.**

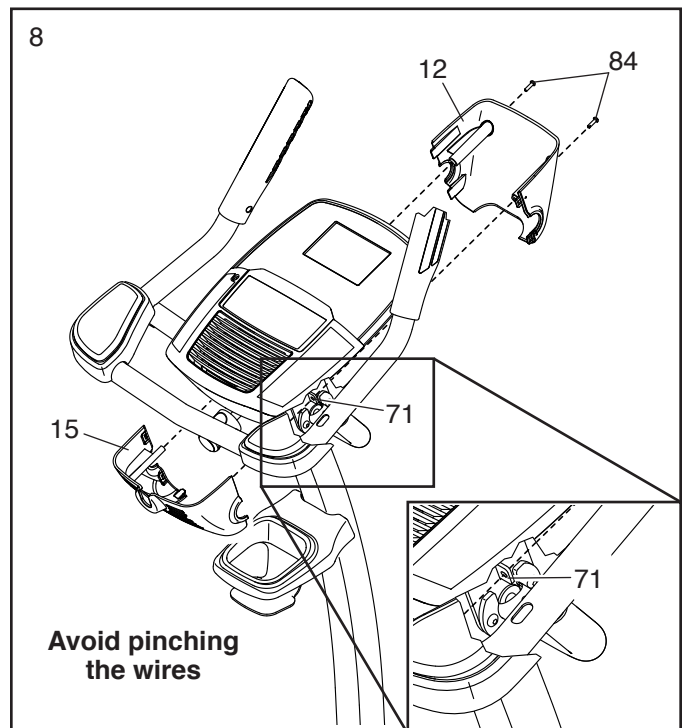
Insert the excess wire into the Pivot Bracket (71).

**Tip: Avoid pinching the wires.** Attach the Console (13) to the Pivot Bracket (71) with four M4 x 16mm Screws (72); **start all the Screws, and then tighten them.**



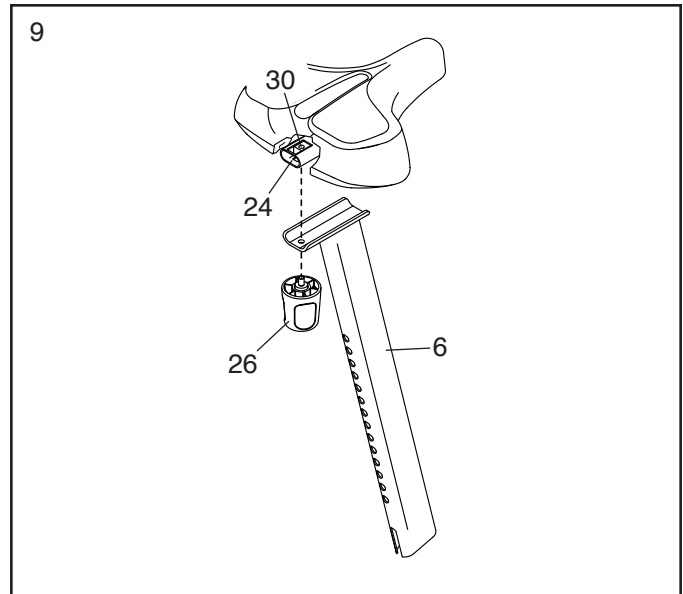
8. **Tip: Avoid pinching the wires.** Press the Front Pivot Cover (12) and the Rear Pivot Cover (15) together around the Pivot Bracket (71).

Attach the Front and Rear Pivot Covers (12, 15) to the Pivot Bracket (71) with two M4 x 22mm Screws (84).

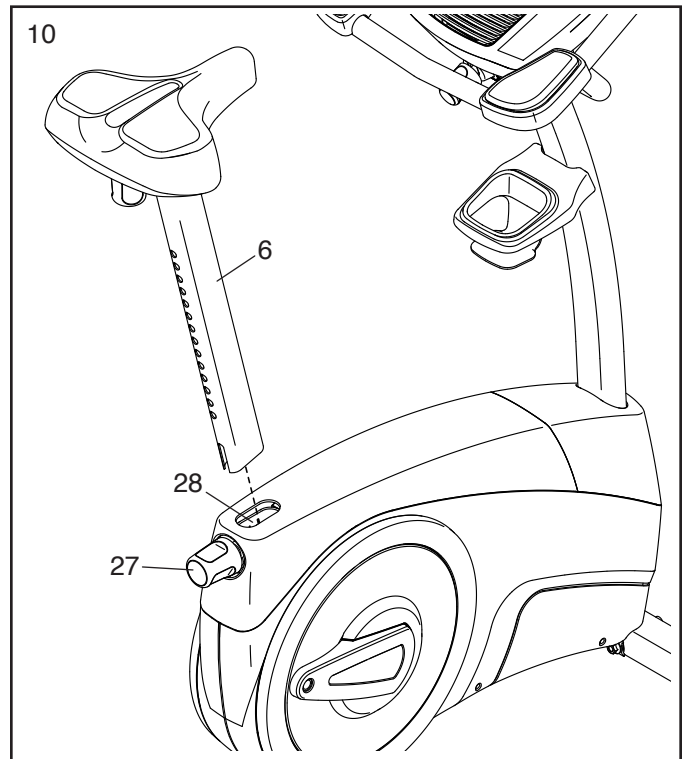


9. Remove the Seat Knob (26) from the Seat Bracket (30) inside the Seat Carriage (24).

Next, hold the Seat Carriage (24) on the Seat Post (6). Insert the Seat Knob (26) upward into the Seat Post, and tighten the Seat Knob into the Seat Bracket (30) inside the Seat Carriage.



10. Loosen the Seat Post Knob (27), pull it outward, insert the Seat Post (6) into the Seat Post Sleeve (28), and then release the Seat Post Knob. **Move the Seat Post upward or downward slightly to make sure that the Seat Post Knob is engaged in one of the adjustment holes in the Seat Post.** Then, tighten the Seat Post Knob.

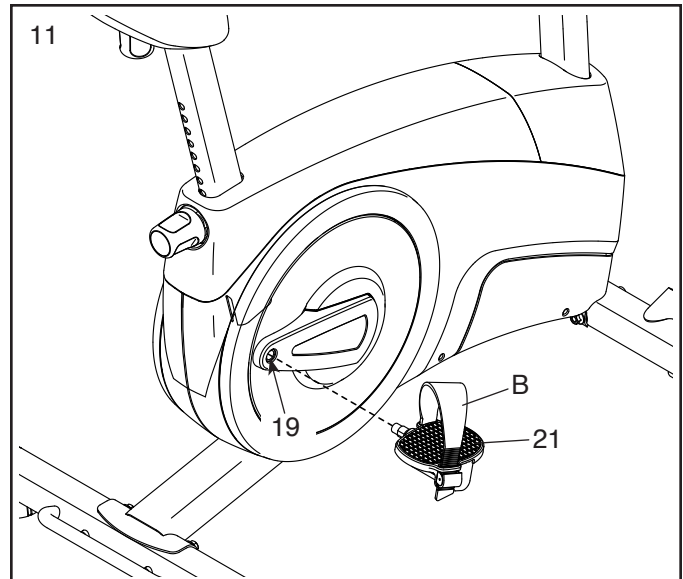


11. Identify the Right Pedal (21).

Using an adjustable wrench, **firmly tighten** the Right Pedal (21) **clockwise** into the Right Crank Arm (19).

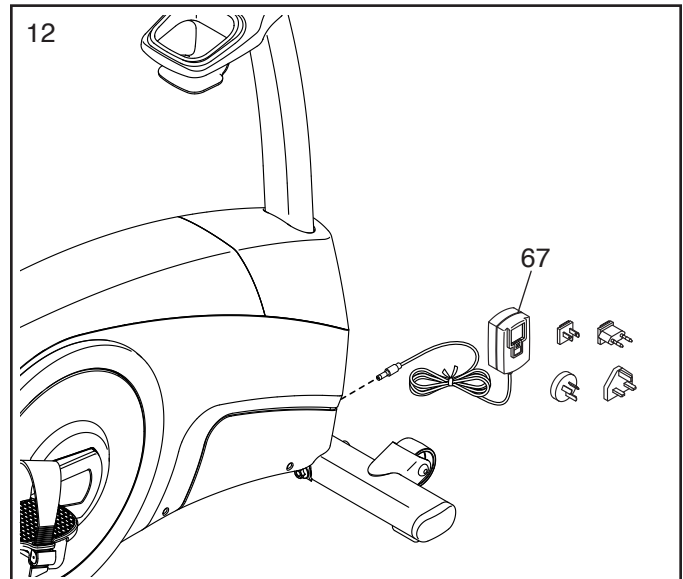
**Firmly tighten the Left Pedal (not shown) counterclockwise into the Left Crank Arm (not shown). IMPORTANT: You must turn the Left Pedal counterclockwise to attach it.**

Then, attach the right pedal strap (B) to the Right Pedal (21) as shown. **Attach the left pedal strap in the same way.**



12. Plug the Power Adapter (67) into the receptacle on the frame of the exercise bike.

Note: To plug the Power Adapter (67) into an outlet, see HOW TO PLUG IN THE POWER ADAPTER on page 12.



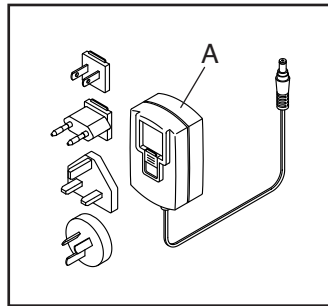
13. **After the exercise bike is assembled, inspect it to make sure that it is assembled correctly and that it functions properly. Make sure that all parts are properly tightened before you use the exercise bike.** Extra parts may be included. Place a mat under the exercise bike to protect the floor or carpet.

# HOW TO USE THE EXERCISE BIKE

## HOW TO PLUG IN THE POWER ADAPTER

**IMPORTANT:** If the exercise bike has been exposed to cold temperatures, allow it to warm to room temperature before you plug in the power adapter (A). If you do not do this, you may damage the console displays or other electronic components.

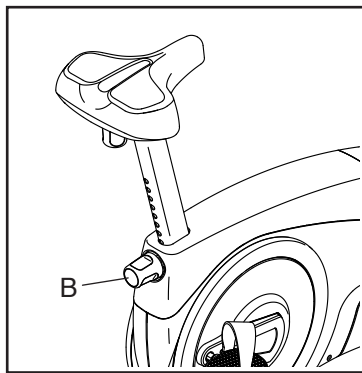
Plug the power adapter (A) into the receptacle on the frame of the exercise bike. Insert the appropriate plug adapter into the power adapter if necessary. Then, plug the power adapter into an appropriate outlet that is properly installed in accordance with all local codes and ordinances.



## HOW TO ADJUST THE HEIGHT OF THE SEAT

For effective exercise, the seat should be at the proper height. As you pedal, there should be a slight bend in your knees when the pedals are in the lowest position.

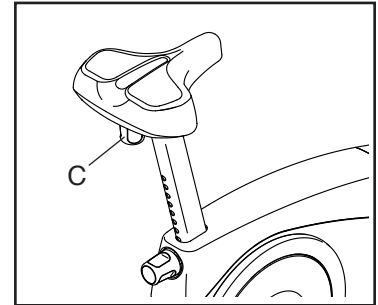
To adjust the seat, first turn the seat post knob (B) counterclockwise several turns to loosen it. Next, pull the knob, slide the seat post upward or downward to the desired position, and then release the knob.



**Move the seat post up or down slightly to make sure that the knob is engaged in one of the adjustment holes in the seat post.** Then, turn the knob clockwise to tighten it.

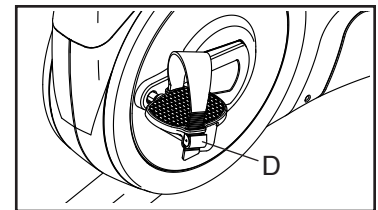
## HOW TO ADJUST THE LATERAL POSITION OF THE SEAT

To adjust the lateral position of the seat, first loosen the seat knob (C) a few turns. Then, move the seat forward or backward to the desired position, and firmly tighten the seat knob.



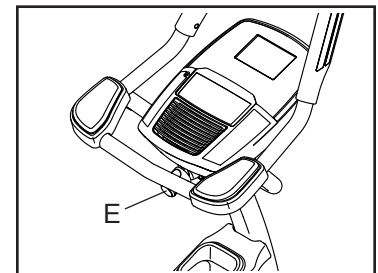
## HOW TO ADJUST THE PEDAL STRAPS

To tighten a pedal strap, pull downward on the end of the strap. To loosen a strap, press the tab (D) and pull upward on the strap.



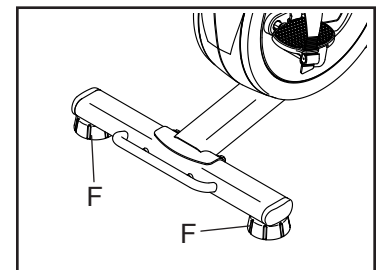
## HOW TO ADJUST THE CONSOLE

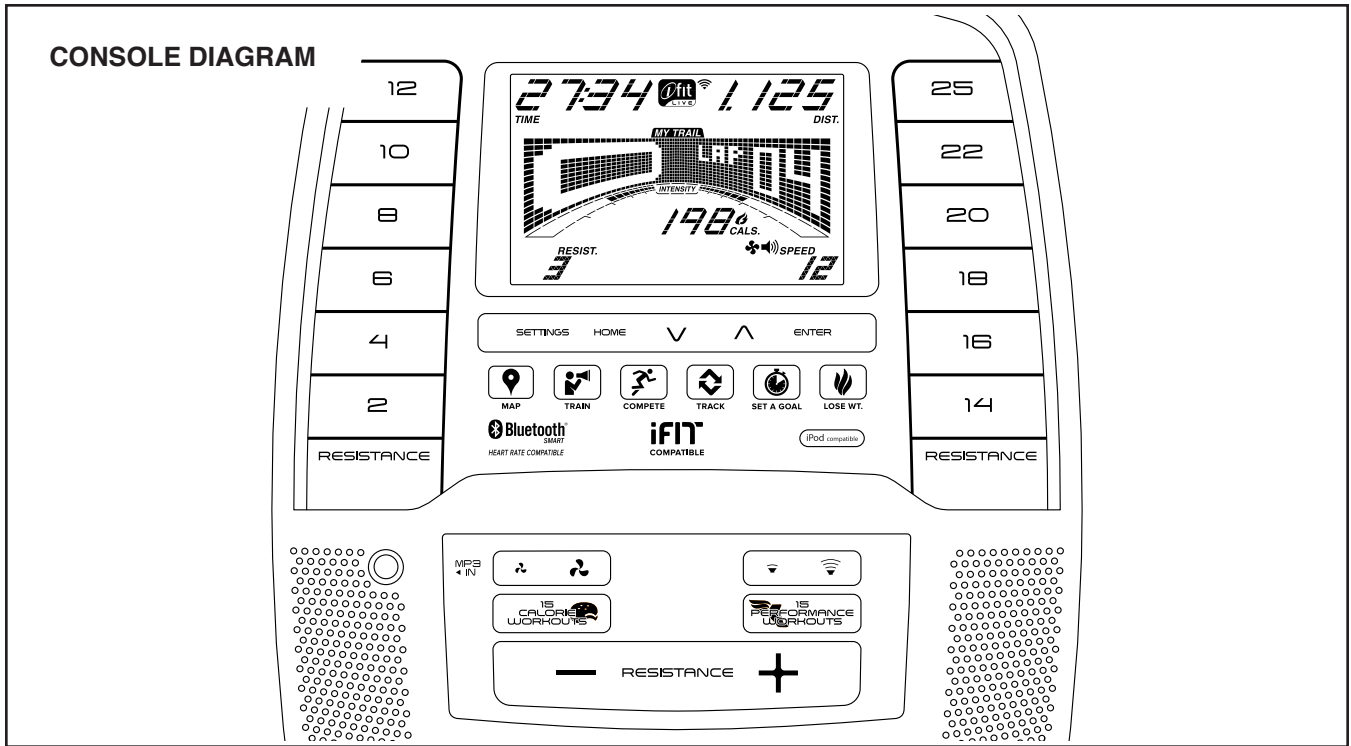
The console can be adjusted to several angles. To adjust the console, turn the console knob (E) until the console is at the desired angle.



## HOW TO LEVEL THE EXERCISE BIKE

If the exercise bike rocks slightly on your floor during use, turn one or both of the leveling feet (F) beneath the rear stabilizer until the rocking motion is eliminated.





**MAKE YOUR FITNESS GOALS A REALITY WITH IFIT.COM**

With your new iFit-compatible fitness equipment, you can use an array of features on iFit.com to make your fitness goals a reality:



Exercise anywhere in the world with customizable Google Maps.



Download training workouts designed to help you reach your personal goals.



Measure your progress by competing against other users in the iFit community.



Upload your workout results to the iFit cloud and track your accomplishments.



Set calorie, time, or distance goals for your workouts.



Choose and download sets of weight-loss workouts

**Go to iFit.com to learn more.**

## FEATURES OF THE CONSOLE

The advanced console offers an array of features designed to make your workouts more effective and enjoyable.

When you use the manual mode of the console, you can change the resistance of the pedals with the touch of a button.

While you exercise, the console will display continuous exercise feedback. You can even measure your heart rate using the handgrip heart rate monitor or **an optional chest heart rate monitor (see page 20 for more information)**.

The console also offers a selection of onboard workouts. Each workout automatically changes the resistance of the pedals as it guides you through an effective workout. You can also set a calorie, distance, or time goal.

The console also features an iFit mode that enables the console to communicate with your wireless network through an optional iFit module. With the iFit mode, you can download personalized workouts, create your own workouts, track your workout results, race against other iFit users, and access many other features. **To purchase an iFit module at any time, go to [iFit.com](http://iFit.com) or call the telephone number on the front cover of this manual.**

You can even connect your personal audio player to the console sound system and listen to your favorite music or audio books while you exercise.

**To use the manual mode**, see this page. **To use an onboard workout**, see page 17. **To use a set-a-goal workout**, see page 18. **To use an iFit workout**, see page 19. **To use the sound system**, see page 20. **To change console settings**, see page 21.

Note: If there is a sheet of plastic on the display, remove the plastic.

## HOW TO USE THE MANUAL MODE

### 1. Begin pedaling or press any button on the console to turn on the console.

When you turn on the console, the display will turn on. The console will then be ready for use.

### 2. Select the manual mode.

Press the Home button or press either the Calorie Workouts button or the Performance Workouts button repeatedly to select the manual mode.

If a wireless iFit module is not inserted into the console and connected to iFit, the manual mode will be selected automatically.

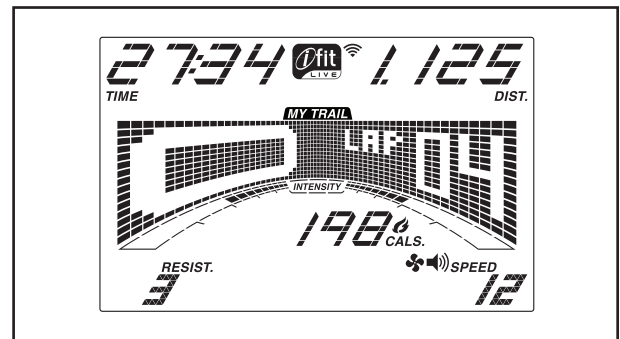
### 3. Change the resistance of the pedals as desired.

As you pedal, change the resistance of the pedals by pressing the Resistance increase and decrease buttons.

Note: After you press a button, it will take a moment for the pedals to reach the selected resistance level.

### 4. Follow your progress with the display.

The display can show the following workout information:



**Calories (Cals.)**—This display mode will show the approximate number of calories you have burned.

**Calories per Hour (Cals./Hr)**—This display mode will show the approximate number of calories you are burning per hour.

**Distance (Dist.)**—This display mode will show the distance that you have pedaled in miles or kilometers.

**Pulse**—This display mode will show your heart rate when you use the handgrip heart rate monitor or the optional chest heart rate monitor (see step 5).

**Resistance (Resist.)**—This display mode will show the resistance level of the pedals for a few seconds each time the resistance level changes.

**Speed**—This display mode will show your pedaling speed in miles per hour or kilometers per hour.

**Time**—When the manual mode is selected, this display mode will show the elapsed time. When an onboard workout is selected, this display mode will show the time remaining in the workout.

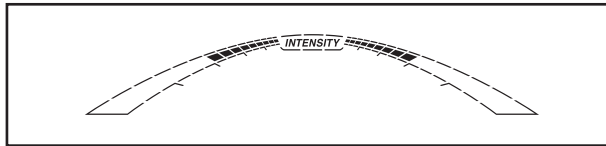
The matrix offers several display tabs. Press the increase and decrease buttons next to the Enter button until the desired tab is shown.

**Speed**—This tab will show a profile of the speed settings of the workout. A new segment will appear at the end of each minute.

**My Trail**—This tab will show a track that represents 1/4 mile (400 m). As you exercise, the flashing rectangle will show your progress. The My Trail tab will also show the number of laps you complete.

**Calorie**—This tab will show the approximate amount of calories you have burned. The height of each segment represents the amount of calories burned during that segment.

As you exercise, the workout intensity level bar will indicate the approximate intensity level of your exercise.



Press the Home button to exit the workout and return to the default menu (see HOW TO CHANGE CONSOLE SETTINGS on page 21 to set the default menu). If necessary, press the Home button again.

When a wireless iFit module is connected, the wireless symbol at the top of the display will show the strength of your wireless signal. Four arcs indicate full signal strength.



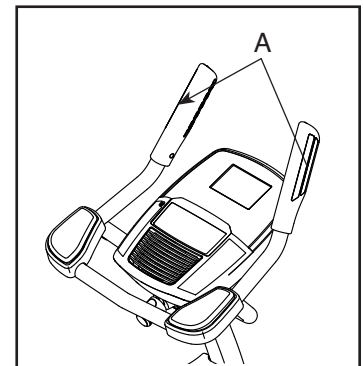
Change the volume level of the console by pressing the volume increase and decrease buttons.

## 5. Measure your heart rate if desired.

You can measure your heart rate using either the handgrip heart rate monitor or an optional chest heart rate monitor (see page 20 for information about the optional chest heart rate monitor). Note: The console is compatible with BLUETOOTH® Smart heart rate monitors.

**Note: If you use both heart rate monitors at the same time, the console will not display your heart rate accurately.**

**If there are sheets of plastic on the metal contacts (A) on the handgrip heart rate monitor, remove the plastic.** To measure your heart rate, hold the handgrip heart rate monitor with your palms resting against the contacts.



**Avoid moving your hands or gripping the contacts tightly.**

**6. Turn on the fan if desired.**

The fan has low and high speed settings. Press the fan increase and decrease buttons repeatedly to select a fan speed or to turn off the fan.



Note: If the pedals do not move for about thirty seconds, the fan will turn off automatically.

**7. When you are finished exercising, the console will turn off automatically.**

If the pedals do not move for several seconds, a tone will sound, the console will pause, and the time will flash in the display. To resume your workout, simply resume pedaling.

If the pedals do not move for several minutes and the buttons are not pressed, the console will turn off and the display will be reset.

Note: The console features a display demo mode, designed to be used if the exercise bike is displayed in a store. When the demo mode is turned on, the console will show a preset presentation. To turn off the demo mode, see HOW TO CHANGE CONSOLE SETTINGS on page 21.

## HOW TO USE AN ONBOARD WORKOUT

### 1. Begin pedaling or press any button on the console to turn on the console.

When you turn on the console, the display will turn on. The console will then be ready for use.

### 2. Select an onboard workout.

To select an onboard workout, press the Calorie Workouts button or the Performance Workouts button repeatedly until the desired workout appears in the display.

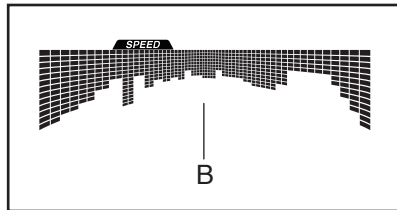
When you select an onboard workout, the display will show the duration of the workout and the name of the workout. A profile of the speed settings of the workout will appear in the matrix.

The maximum resistance level and the maximum speed for the workout will also appear in the display.

### 3. Begin pedaling to start the workout.

Each workout is divided into one-minute segments. One resistance level and one target speed is programmed for each segment. Note: The same resistance level and/or target speed may be programmed for consecutive segments.

During the workout, the profile (B) on the speed tab will show your progress. The flashing segment of the profile represents the current segment of the workout. The height of the flashing segment indicates the target speed for the current segment.



At the end of each segment of the workout, a series of tones will sound and the next segment of the profile will begin to flash. If a different resistance level and/or target speed is programmed for the next segment, the resistance level and/or target speed will appear in the display for a few seconds

to alert you. The resistance of the pedals will then change.

As you exercise, you will be prompted to keep your pedaling speed near the target speed for the current segment. **When an upward-pointing arrow appears in the display**, increase your pedaling speed. **When a downward-pointing arrow appears**, decrease your pedaling speed. **When no arrow appears**, maintain your current pedaling speed.

**IMPORTANT: The target speed is intended only to provide motivation. Your actual pedaling speed may be slower than the target speed. Make sure to pedal at a speed that is comfortable for you.**

If the resistance level for the current segment is too high or too low, you can manually override the setting by pressing the Resistance buttons. **IMPORTANT: When the current segment of the workout ends, the pedals will automatically adjust to the resistance level programmed for the next segment.**

The workout will continue in this way until the last segment ends. To stop the workout at any time, stop pedaling. The time will flash in the display. To resume the workout, simply resume pedaling.

### 4. Follow your progress with the display.

See step 4 on page 14.

### 5. Measure your heart rate if desired.

See step 5 on page 15.

### 6. Turn on the fan if desired.

See step 6 on page 16.

### 7. When you are finished exercising, the console will turn off automatically.

See step 7 on page 16.

## HOW TO USE A SET-A-GOAL WORKOUT

### 1. **Begin pedaling or press any button on the console to turn on the console.**

When you turn on the console, the display will turn on. The console will then be ready for use.

### 2. **Set a calorie, distance, or time goal.**

To set a calorie, distance, or time goal, first press the Set A Goal button.

Next, press the increase and decrease buttons next to the Enter button until the name of the desired goal appears in the display. Then, press the Enter button.

Then, press the increase and decrease buttons next to the Enter button to set the desired goal.

### 3. **Begin pedaling to start the workout.**

Each workout is divided into one-minute segments.

You can manually change the resistance of the pedals as desired during the workout by pressing the Resistance buttons.

**Note:** If you manually change the resistance level during a calorie goal workout, the length of the workout may adjust automatically to ensure that you meet your calorie goal.

**Note:** The calorie goal is an estimate of the number of calories that you will burn during the workout. The actual number of calories that you burn will depend on various factors such as your weight. In addition, if you manually change the resistance level during the workout, the number of calories you burn will be affected.

The workout will continue in this way until the calorie, distance, or time goal is reached. To pause the workout, stop pedaling. The time will pause in the display. To resume the workout, simply resume pedaling.

### 4. **Follow your progress with the display.**

As you exercise, the calories, time, or distance display will count down until the desired goal is reached.

See step 4 on page 14.

### 5. **Measure your heart rate if desired.**

See step 5 on page 15.

### 6. **Turn on the fan if desired.**

See step 6 on page 16.

### 7. **When you are finished exercising, the console will turn off automatically.**

See step 7 on page 16.

## HOW TO USE AN iFIT WORKOUT

You must have an iFit module to use an iFit workout. **To purchase an iFit module at any time, go to iFit.com or call the telephone number on the front cover of this manual.**

To use an iFit module, you must have the following:

- A computer with an internet connection and a USB port.
- Your own wireless network including an 802.11b/g/n router with SSID broadcast enabled (hidden networks are not supported).
- An iFit account. Open an internet browser, go to iFit.com, and follow the prompts on the website to sign up for your iFit account. If you have an activation code, select the code activation option.

To set up and configure your iFit module, follow the instructions in the user's manual that came with your iFit module. **Make sure that your iFit module is inserted in the console and that it is properly configured.**

To use an iFit workout, follow the instructions below.

### 1. Add workouts to your schedule on iFit.com.

Open an internet browser, go to iFit.com, and sign in to your iFit account.

Next, navigate to Menu > Library on the website. Browse the workout programs in the library and join the desired workouts.

Then, navigate to Menu > Schedule to view your schedule. All of the workouts that you have joined will appear on your schedule; you can arrange or delete the workouts on your schedule as desired.

Take time to explore the iFit.com website before you log out.

### 2. Begin pedaling or press any button on the console to turn on the console.

When you turn on the console, the display will turn on. The console will then be ready for use.

### 3. Select a user.

If more than one user is registered on your iFit account, you can switch users in the iFit main screen. Press the increase and decrease buttons next to the Enter button to select a user.

### 4. Select an iFit workout.

**IMPORTANT: Before iFit workouts will download, you must add them to your schedule on iFit.com (see step 1).**

**To download an iFit workout from iFit.com to the console,** press the Map, Train, or Lose Wt. button. The next workout of that type in your schedule will then download. Note: You may be able to access demo workouts through these buttons, even if you do not have an iFit module.

**To compete in a race or challenge that you have previously joined on iFit.com,** press the Compete button. **To view your workout history,** press the Track button. **To use a set-a-goal workout,** press the Set A Goal button (see page 18).

**For more information about iFit workouts, please see iFit.com.**

When you select an iFit workout, the display will show the name and estimated duration of the workout. The display will also show the approximate number of calories you will burn during the workout.

If the iFit workout is a race or challenge, the display will count down to the beginning of the race.

**5. Start the workout.**

See step 3 on page 17.

During some workouts, an audio coach will guide you through your workout. You can select a setting for the audio coach (see HOW TO CHANGE CONSOLE SETTINGS on page 21).

To stop the workout at any time, stop pedaling. The time will flash in the display. To resume the workout, simply resume pedaling.

**6. Follow your progress with the display.**

See step 4 on page 14.

The My Trail tab will show a map of the trail or it will show a track and the number of laps you complete.

During a race or challenge, the matrix will show your position in the race relative to other competitors.

**7. Measure your heart rate if desired.**

See step 5 on page 15.

**8. Turn on the fan if desired.**

See step 6 on page 16.

**9. When you are finished exercising, the console will turn off automatically.**

See step 7 on page 16.

**For more information about iFit features, go to [iFit.com](http://iFit.com).**

**IMPORTANT:** To satisfy exposure compliance requirements, the antenna and transmitter in the iFit module must be at least 8 in. (20 cm) from all persons and must not be near or connected to any other antenna or transmitter.

**HOW TO USE THE SOUND SYSTEM**

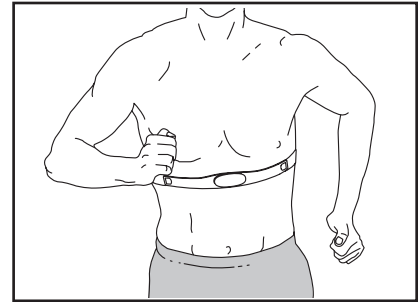
To play music or audio books through the console sound system while you exercise, plug a 3.5 mm male to 3.5 mm male audio cable (not included) into the jack on the console and into a jack on your personal audio player; **make sure that the audio cable is fully plugged in. Note: To purchase an audio cable, see your local electronics store.**

Next, press the play button on your personal audio player. Adjust the volume level using the volume increase and decrease buttons on the console or the volume control on your personal audio player.



**THE OPTIONAL CHEST HEART RATE MONITOR**

Whether your goal is to burn fat or to strengthen your cardiovascular system, the key to achieving the best results is to maintain the proper heart rate during your workouts.



The optional chest heart rate monitor will enable you to continuously monitor your heart rate while you exercise, helping you to reach your personal fitness goals. **To purchase a chest heart rate monitor, please see the front cover of this manual.**

Note: The console is compatible with all BLUETOOTH® Smart heart rate monitors.

## HOW TO CHANGE CONSOLE SETTINGS

### 1. Select the settings mode.

To select the settings mode, press the Settings button.

The display will show the total number of hours that the exercise bike has been used and the total distance (in miles or kilometers) that has been pedaled on the exercise bike.

If an iFit module is connected to the console, the display will show the words WIFI MODULE or USB MODULE.

If no module is connected, the display will show the words NO IFIT MODULE. If no module is connected, some of the settings options will not be available.

### 2. Navigate the settings mode.

While the settings mode is selected, the matrix of the display will display several optional screens. Press the decrease button next to the Enter button repeatedly to select the desired optional screen.

The lower section of the display will show instructions for the selected screen. **Make sure to follow the instructions shown in the lower part of the display.**

### 3. Change settings as desired.

**Units**—The currently selected unit of measurement will appear in the display. To change the unit of measurement, press the Enter button repeatedly.

To view distance in miles, select ENGLISH. To view distance in kilometers, select METRIC.

**Demo**—The console features a display demo mode, designed to be used if the exercise bike is displayed in a store. Press the Enter button repeatedly to turn the demo mode ON or OFF.

**Contrast Level**—The currently selected contrast level will appear in the display. Press the Resistance increase and decrease buttons to adjust the contrast level.

**Trainer Voice**—The currently selected setting for the audio coach will appear in the display. Press the Enter button repeatedly to turn the audio coach ON or OFF.

**Default Menu**—The default menu will appear when you press the Home button. Press the Enter button repeatedly to select the manual mode or the iFit menu as the default menu.

**Check Status**—The words CHECK WIFI STATUS or CHECK USB STATUS will appear in the display. Press the Enter button. After a few seconds, the status of the iFit module will appear in the display. To exit this display, press the Settings button.

**Send/Receive**—The words SEND/RECEIVE DATA will appear in the display. Press the Enter button. The console will then check for iFit workouts and firmware downloads.

### 4. Exit the settings mode.

Press the Settings button to exit the settings mode.

# MAINTENANCE AND TROUBLESHOOTING

## MAINTENANCE

Regular maintenance is important for optimal performance and to reduce wear. Inspect and properly tighten all parts each time the exercise bike is used. Replace any worn parts immediately.

To clean the exercise bike, use a damp cloth and a small amount of mild soap. **IMPORTANT: To avoid damage to the console, keep liquids away from the console and keep the console out of direct sunlight.**

## CONSOLE TROUBLESHOOTING

If lines appear in the console display, see HOW TO CHANGE CONSOLE SETTINGS on page 21 and adjust the contrast level of the display.

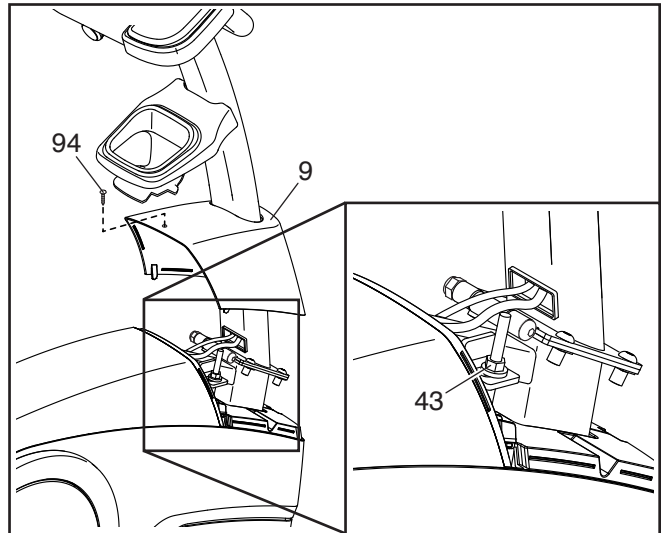
If the console does not display your heart rate when you use the handgrip heart rate monitor, see step 5 on page 15.

**If a replacement power adapter is needed, call the telephone number on the cover of this manual. IMPORTANT: To avoid damaging the console, use only a manufacturer-supplied regulated power adapter.**

## HOW TO ADJUST THE DRIVE BELT

If the pedals slip while you are pedaling, even while the resistance is adjusted to the highest setting, the drive belt may need to be adjusted. **Before you adjust the drive belt, unplug the power adapter.**

Next, remove the M4 x 16mm Flat Head Screw (94) from the Front Shield Cover (9). Then, using a standard screwdriver, release the Front Shield Cover and slide it out of the way.



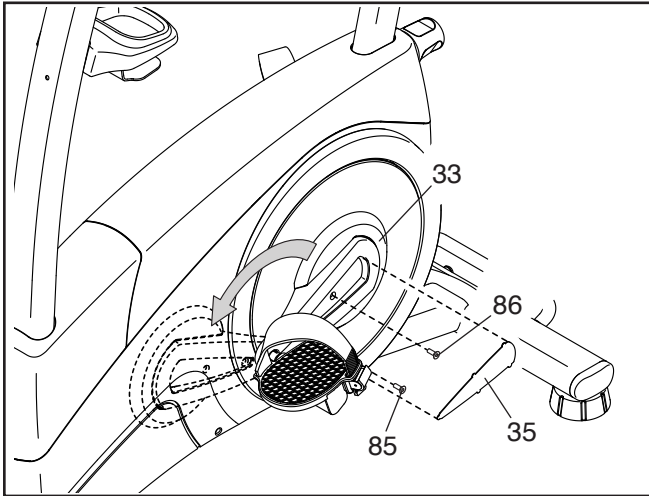
Next, tighten the indicated M8 Locknut (43) slightly to tighten the Drive Belt (not shown). Then, reattach the Front Shield Cover (9) and plug in the power adapter.

Repeat this process, if necessary, until the pedals no longer slip.

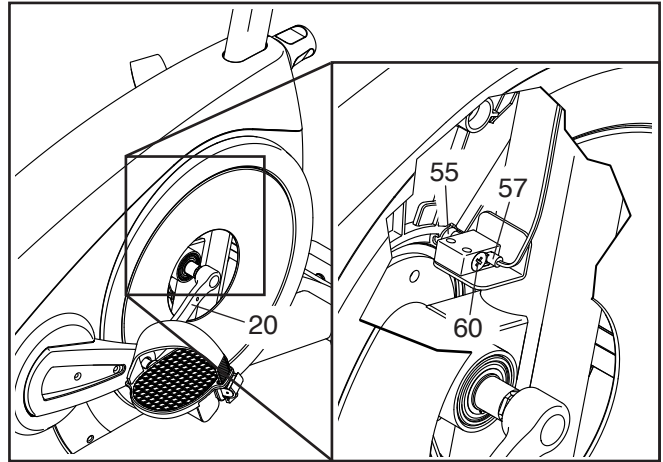
## HOW TO ADJUST THE REED SWITCH

If the console does not display correct feedback, the reed switch should be adjusted. **Before you adjust the reed switch, unplug the power adapter.**

Using a small standard screwdriver, carefully pry the left Cover Insert (35) off the left Crank Arm Cover (33). Next, remove the M5 x 12mm Screw (85) and the M5 x 21mm Screw (86). Then, rotate the left Crank Arm Cover out of the way.



Locate the Reed Switch (57). Rotate the Left Crank Arm (20) until a Magnet (55) is aligned with the Reed Switch. Next, loosen the M5 x 16mm Flat Head Screw (60), slide the Reed Switch slightly toward or away from the Magnet, and then retighten the Flat Head Screw.



Plug in the power adapter and rotate the Left Crank Arm (20) for a moment. Repeat these actions until the console displays correct feedback.

When the reed switch is correctly adjusted, reattach the parts that you removed.

# EXERCISE GUIDELINES

**⚠️ WARNING:** Before beginning this or any exercise program, consult your physician. This is especially important for persons over age 35 or persons with pre-existing health problems.

The heart rate monitor is not a medical device. Various factors may affect the accuracy of heart rate readings. The heart rate monitor is intended only as an exercise aid in determining heart rate trends in general.

These guidelines will help you to plan your exercise program. For detailed exercise information, obtain a reputable book or consult your physician. Remember, proper nutrition and adequate rest are essential for successful results.

## EXERCISE INTENSITY

Whether your goal is to burn fat or to strengthen your cardiovascular system, exercising at the proper intensity is the key to achieving results. You can use your heart rate as a guide to find the proper intensity level. The chart below shows recommended heart rates for fat burning and aerobic exercise.

165	155	145	140	130	125	115	❤️
145	138	130	125	118	110	103	❤️
125	120	115	110	105	95	90	❤️
<hr/>							
20	30	40	50	60	70	80	

To find the proper intensity level, find your age at the bottom of the chart (ages are rounded off to the nearest ten years). The three numbers listed above your age define your “training zone.” The lowest number is the heart rate for fat burning, the middle number is the heart rate for maximum fat burning, and the highest number is the heart rate for aerobic exercise.

**Burning Fat**—To burn fat effectively, you must exercise at a low intensity level for a sustained period of time. During the first few minutes of exercise, your body uses carbohydrate calories for energy. Only after the first few minutes of exercise does your body begin to use stored fat calories for energy. If your goal is to burn fat, adjust the intensity of your exercise until your heart rate is near the lowest number in your training zone. For maximum fat burning, exercise with your heart rate near the middle number in your training zone.

**Aerobic Exercise**—If your goal is to strengthen your cardiovascular system, you must perform aerobic exercise, which is activity that requires large amounts of oxygen for prolonged periods of time. For aerobic exercise, adjust the intensity of your exercise until your heart rate is near the highest number in your training zone.

## WORKOUT GUIDELINES

**Warming Up**—Start with 5 to 10 minutes of stretching and light exercise. A warm-up increases your body temperature, heart rate, and circulation in preparation for exercise.

**Training Zone Exercise**—Exercise for 20 to 30 minutes with your heart rate in your training zone. (During the first few weeks of your exercise program, do not keep your heart rate in your training zone for longer than 20 minutes.) Breathe regularly and deeply as you exercise; never hold your breath.

**Cooling Down**—Finish with 5 to 10 minutes of stretching. Stretching increases the flexibility of your muscles and helps to prevent post-exercise problems.

## EXERCISE FREQUENCY

To maintain or improve your condition, complete three workouts each week, with at least one day of rest between workouts. After a few months of regular exercise, you may complete up to five workouts each week, if desired. Remember, the key to success is to make exercise a regular and enjoyable part of your everyday life.

# PART LIST

Model No. NTEVEX78915.1 R0118A

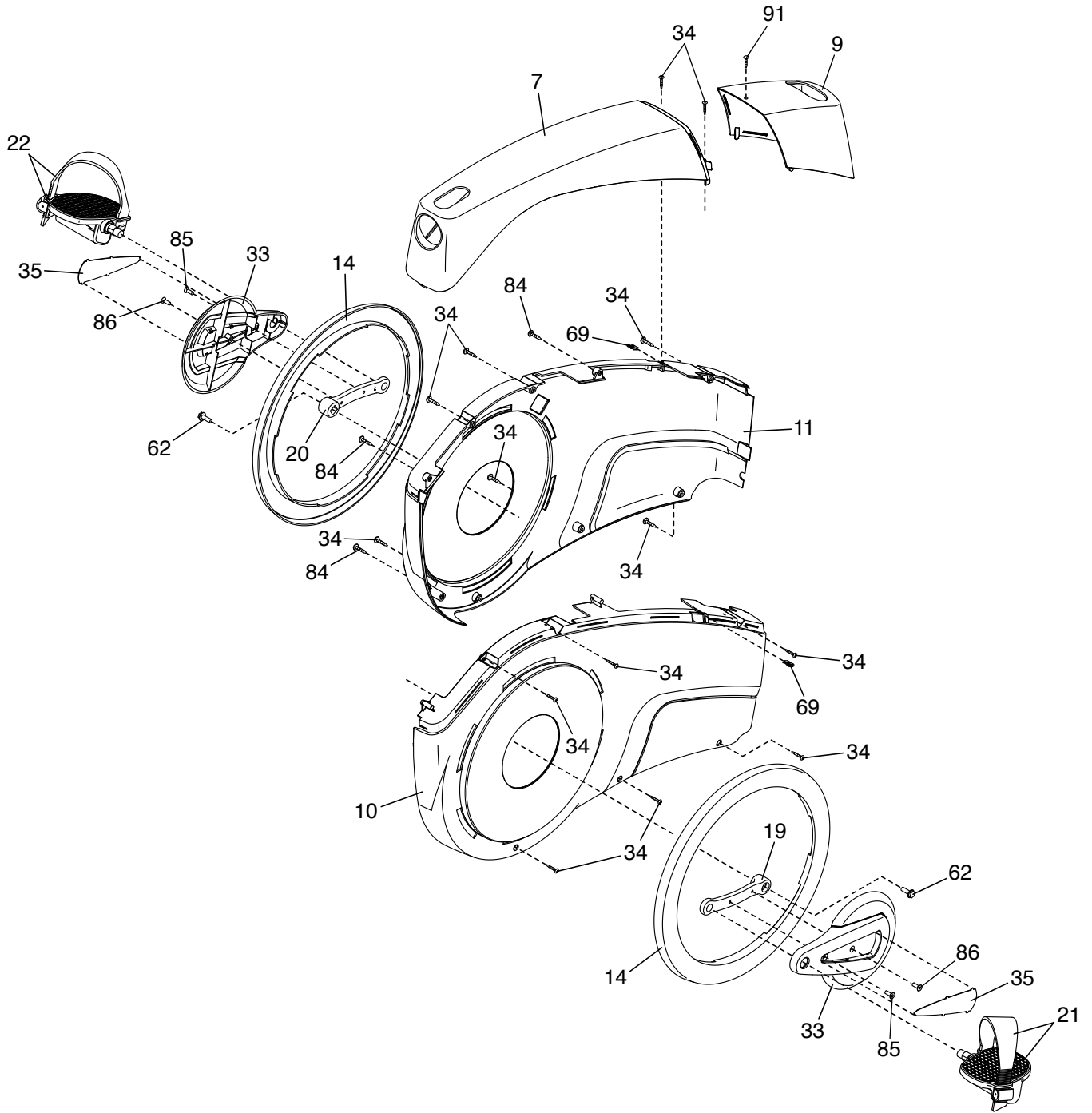
Key No.	Qty.	Description	Key No.	Qty.	Description
1	1	Frame	47	1	Resistance Motor
2	1	Front Stabilizer	48	1	M8 x 18mm Screw
3	1	Rear Stabilizer	49	5	Knob Nut
4	1	Upright	50	1	M8 x 76mm Bolt
5	1	Handlebar	51	1	J-bolt
6	1	Seat Post	52	4	#10 x 12mm Screw
7	1	Rear Shield Cover	53	4	M10 x 98mm Screw
8	1	Accessory Tray	54	1	Drive Belt
9	1	Front Shield Cover	55	2	Magnet
10	1	Right Shield	56	1	Clamp
11	1	Left Shield	57	1	Reed Switch/Wire
12	1	Front Pivot Cover	58	1	Lower Wire
13	1	Console	59	2	Stabilizer Foot
14	2	Shield Ring	60	1	M5 x 16mm Flat Head Screw
15	1	Rear Pivot Cover	61	2	Pulse Wire
16	1	Right Armrest	62	2	M8 Flange Screw
17	2	Wheel	63	6	M8 x 16mm Screw
18	2	M10 x 62mm Bolt	64	2	M8 Washer
19	1	Right Crank Arm	65	4	M8 x 20mm Screw
20	1	Left Crank Arm	66	2	M10 Jam Nut
21	1	Right Pedal/Strap	67	1	Power Adapter
22	1	Left Pedal/Strap	68	2	M4 x 19mm Screw
23	1	Seat	69	2	Clip Nut
24	1	Seat Carriage	70	2	M8 x 50mm Bolt
25	1	Small Snap Ring	71	1	Pivot Bracket
26	1	Seat Knob	72	7	M4 x 16mm Screw
27	1	Seat Post Knob	73	1	Left Pulse Grip
28	1	Seat Post Sleeve	74	1	Pivot Axle
29	1	Power Receptacle/Wire	75	1	Small Block
30	1	Seat Bracket	76	1	Large Block
31	1	Left Armrest	77	1	Console Knob
32	4	Stabilizer Cap	78	1	Pivot Post
33	2	Crank Arm Cover	79	2	Large Bushing
34	16	#8 x 16mm Screw	80	2	Small Bushing
35	2	Cover Insert	81	4	M8 x 15mm Shoulder Screw
36	2	Leveling Foot	82	1	J-bolt Washer
37	1	Right Pulse Grip	83	4	M4 x 32mm Screw
38	1	Pulley	84	9	M4 x 22mm Screw
39	1	Crank	85	2	M5 x 12mm Screw
40	2	Crank Bearing	86	2	M5 x 21mm Screw
41	2	Large Snap Ring	87	1	Upper Wire
42	1	Eddy Mechanism	88	1	Grommet
43	6	M8 Locknut	89	1	M6 x 50mm Screw
44	10	M8 x 12mm Screw	90	2	M5 x 16mm Screw
45	1	Idler	91	1	M4 x 16mm Flat Head Screw
46	4	M8 Split Washer	*	-	User's Manual

Note: Specifications are subject to change without notice. See the back cover of this manual for information about ordering replacement parts. \*These parts are not illustrated.



# EXPLODED DRAWING B

Model No. NTEVEX78915.1 R0118A



---

# ORDERING REPLACEMENT PARTS

To order replacement parts, please see the front cover of this manual. To help us assist you, be prepared to provide the following information when contacting us:

- the model number and serial number of the product (see the front cover of this manual)
- the name of the product (see the front cover of this manual)
- the key number and description of the replacement part(s) (see the PART LIST and the EXPLODED DRAWING near the end of this manual)

---

# RECYCLING INFORMATION

**This electronic product must not be disposed of in municipal waste. To preserve the environment, this product must be recycled after its useful life as required by law.**

Please use recycling facilities that are authorized to collect this type of waste in your area. In doing so, you will help to conserve natural resources and improve European standards of environmental protection. If you require more information about safe and correct disposal methods, please contact your local city office or the establishment where you purchased this product.

