

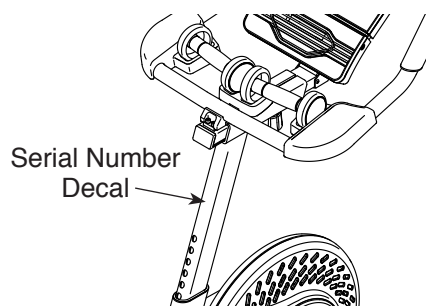
NordicTrack® GRAND TOUR

www.nordictrack.ca

Model No. NTEX71015C.0

Serial No. _____

Write the serial number in the space above for reference.



ACTIVATE YOUR WARRANTY

To register your product and activate your warranty today, go to www.iconservice.ca.

CUSTOMER SERVICE

Call toll-free 1-888-936-4266
Mon.–Fri. 7:30 a.m.–4:30 p.m. ET
(excluding holidays)

or email us at
customerservice@iconcanada.ca

Please do not contact the store.

⚠ CAUTION

Read all precautions and instructions in this manual before using this equipment. Keep this manual for future reference.

USER'S MANUAL

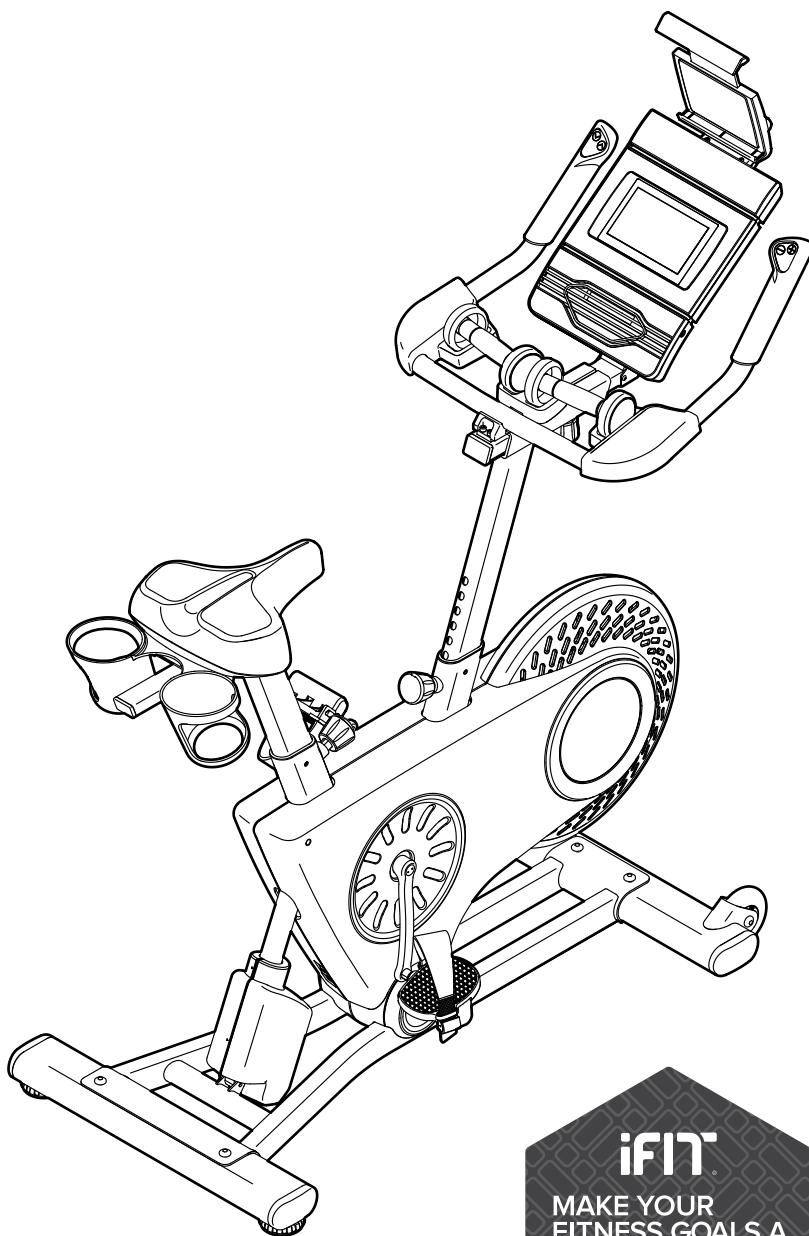
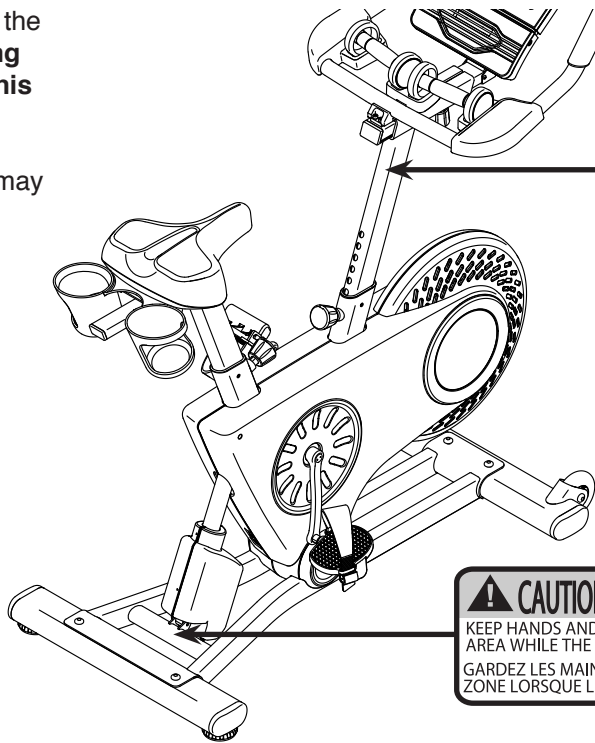


TABLE OF CONTENTS

WARNING DECAL PLACEMENT	2
IMPORTANT PRECAUTIONS	3
BEFORE YOU BEGIN	6
PART IDENTIFICATION CHART	7
ASSEMBLY	8
HOW TO USE THE EXERCISE BIKE	15
MAINTENANCE AND TROUBLESHOOTING	32
EXERCISE GUIDELINES	34
PART LIST	36
EXPLODED DRAWING	38
ORDERING REPLACEMENT PARTS	Back Cover
LIMITED WARRANTY	Back Cover

WARNING DECAL PLACEMENT

This drawing shows the location(s) of the warning decal(s). **If a decal is missing or illegible, see the front cover of this manual and request a free replacement decal. Apply the decal in the location shown.** Note: The decal(s) may not be shown at actual size.



⚠ WARNING

- Misuse of this machine may result in serious injury.
- Read user's manual prior to use and follow all warnings and instructions.
- Do not allow children on or around machine.
- User weight must not exceed 350 lbs. / 159 kgs.
- This product should always be used on a level surface.
- This product is not intended for therapeutic use.
- Replace label if damaged, illegible, or removed.

⚠ CAUTION / MISE EN GARDE

KEEP HANDS AND FEET AWAY FROM THIS AREA WHILE THE BIKE IS IN OPERATION.
 GARDEZ LES MAINS ET PIEDS LOIN DE CETTE ZONE LORSQUE LE VÉLO EST EN FONCTION

NORDICTRACK and IFIT are registered trademarks of ICON Health & Fitness, Inc. Google Maps is a trademarks of Google Inc. The BLUETOOTH® word mark and logos are registered trademarks of Bluetooth SIG, Inc. and are used under license. Wi-Fi is a registered trademark of Wi-Fi Alliance. WPA and WPA2 are trademarks of Wi-Fi Alliance.

IMPORTANT PRECAUTIONS

⚠️ WARNING: To reduce the risk of burns, fire, electric shock, or injury to persons, read all important precautions and instructions in this manual and all warnings on your exercise bike before using your exercise bike. ICON assumes no responsibility for personal injury or property damage sustained by or through the use of this product.

1. It is the responsibility of the owner to ensure that all users of the exercise bike are adequately informed of all precautions.
2. Before beginning any exercise program, consult your physician. This is especially important for persons over age 35 or persons with pre-existing health problems.
3. The exercise bike is not intended for use by persons with reduced physical, sensory, or mental capabilities or lack of experience and knowledge, unless they are given supervision or instruction about use of the exercise bike by someone responsible for their safety.
4. Use the exercise bike only as described in this manual.
5. The exercise bike is intended for home use only. Do not use the exercise bike in a commercial, rental, or institutional setting.
6. Keep the exercise bike indoors, away from moisture and dust. Do not put the exercise bike in a garage or covered patio, or near water.
7. Place the exercise bike on a level surface with at least 2 ft. (0.6 m) of clearance around the exercise bike. To protect the floor or carpet from damage, place a mat under the exercise bike.
8. Inspect and properly tighten all parts each time the exercise bike is used. Replace any worn parts immediately.
9. Keep children under age 13 and pets away from the exercise bike at all times.
10. When connecting the power cord, plug the power cord into a grounded circuit.
11. Do not modify the power cord or use an adapter to connect the power cord to an improper receptacle. Keep the power cord away from heated surfaces. Do not use an extension cord.
12. Do not operate the exercise bike if the power cord or plug is damaged, or if the exercise bike is not working properly.
13. **DANGER:** Always unplug the power cord and press the power switch to the off position when the exercise bike is not in use and before cleaning the exercise bike. Servicing other than the procedures in this manual should be performed by an authorized service representative only.
14. Wear appropriate clothes while exercising; do not wear loose clothes that could become caught on the exercise bike. Always wear athletic shoes for foot protection.
15. The exercise bike should not be used by persons weighing more than 350 lbs. (159 kg).
16. Be careful when mounting and dismounting the exercise bike.
17. Always keep your back straight while using the exercise bike; do not arch your back.
18. Over exercising may result in serious injury or death. If you feel faint, if you become short of breath, or if you experience pain while exercising, stop immediately and cool down.
19. This Class B digital apparatus complies with Canadian ICES-003.

SAVE THESE INSTRUCTIONS

MAKE YOUR FITNESS GOALS A **REALITY**

iFIT®

Congratulations on the purchase of your new iFit® compatible fitness equipment. You're just one click away from making your fitness goals a reality.

GO TO IFIT.COM TO GET STARTED

DO MORE THAN JUST WORK OUT

iFit® is the most powerful training tool available to help you accomplish all of your fitness goals. From weight loss and performance to personalized training programs, iFit® is the key to getting more out of everything you do. Some features require paid subscription.



LOSE WEIGHT

Stay on track and motivated with progressive weight loss programs with our trainers, including Jillian Michaels.



COMPETE WITH OTHERS

Push yourself to new limits with real-time virtual races.



PERSONALIZED EVENT TRAINING

5k, 10k, half or full marathon training will help you prepare for your event.



GO MOBILE

Track your workout anywhere you go with iFit® mobile apps.



MAP YOUR ROUTE

With Google Maps™, your fitness equipment will simulate the earth's terrain while displaying Street View during your workout.



SHARE YOUR PROGRESS

Inspire others, motivate yourself and share routes, workouts and more.

GO TO

IFIT.COM

OR CALL

1-888-936-4266

PROTECT

YOUR FITNESS EQUIPMENT
WITH AN EXTENDED SERVICE PLAN



Your new fitness equipment represents a significant investment in your health. Protect your investment now from unexpected mechanical or electrical failures for up to five years.

PLAN FEATURES

- Protection for one to five years
- Over 100 authorized repair centers
- Highly trained repair technicians
- A national toll-free repair hotline
- Simple repair claim procedure
- No claim forms
- Easy enrollment
- Fast, efficient repair anywhere in Canada
- In-home repairs covered
- Parts and labour covered
- Mechanical and electrical failures covered

To protect your fitness equipment today, please
call Customer Care at **1-888-936-4266**
Or, email us at customerservice@iconcanada.ca

 **ICON**TM
du/of Canada Inc.

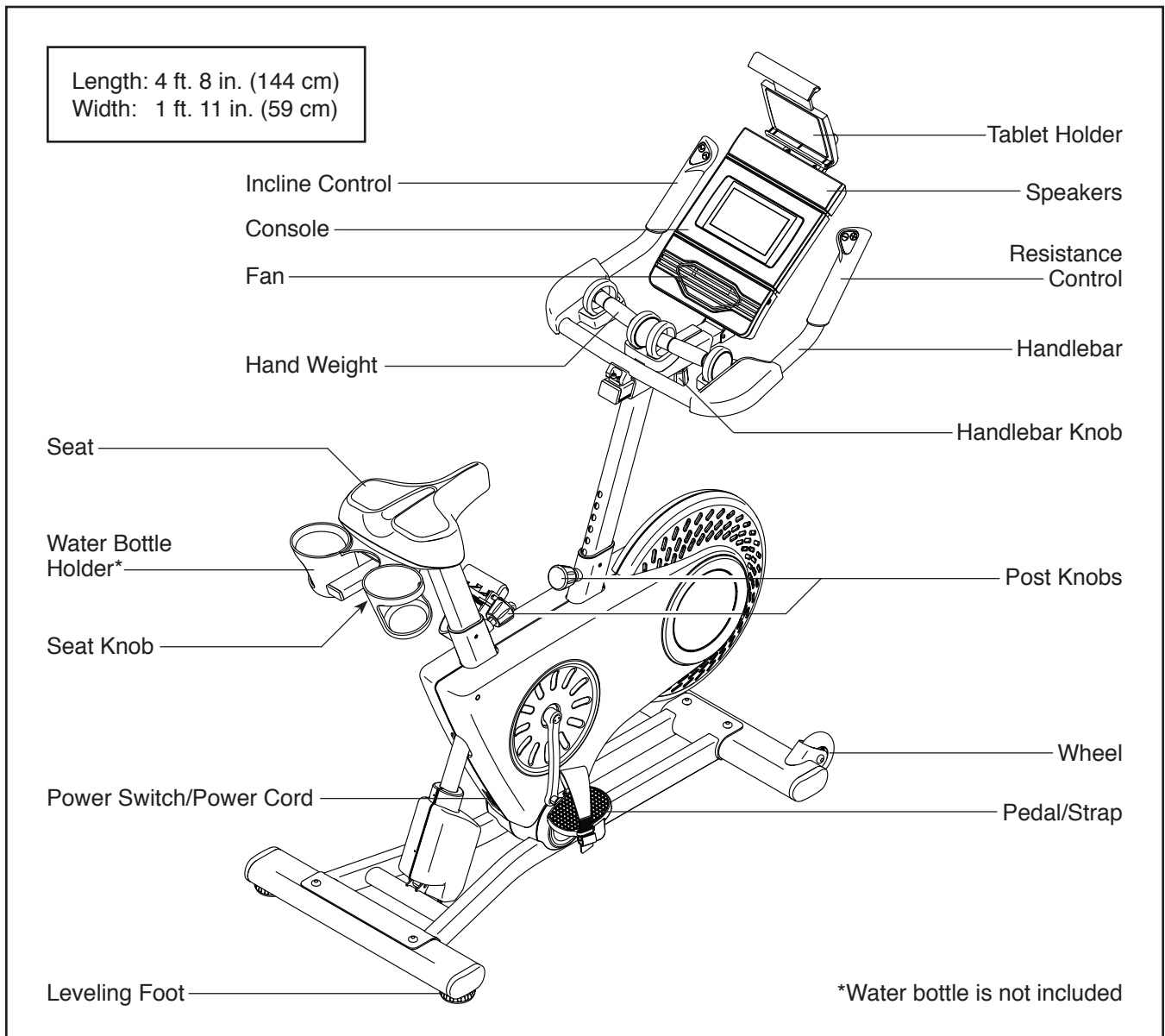
BEFORE YOU BEGIN

Congratulations for selecting the revolutionary NORDICTRACK® GRAND TOUR exercise bike. The GRAND TOUR exercise bike is unlike any ordinary exercise bike. With full adjustability, an advanced console, an incline system allows you to simulate actual terrain, and an array of other innovative features, the GRAND TOUR exercise bike is designed to let you enjoy the outdoor cycling experience indoors.

reading this manual, please see the front cover of this manual. To help us assist you, note the product model number and serial number before contacting us. The model number and the location of the serial number decal are shown on the front cover of this manual.

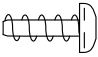

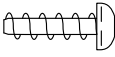

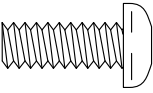
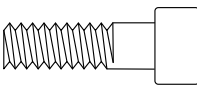
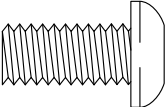
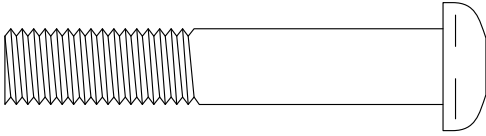
Before reading further, please familiarize yourself with the parts that are labeled in the drawing below.

For your benefit, read this manual carefully before you use the exercise bike. If you have questions after



PART IDENTIFICATION CHART

Use the drawings below to identify the small parts needed for assembly. The number in parentheses below each drawing is the key number of the part, from the PART LIST near the end of this manual. The number following the key number is the quantity needed for assembly. **Note: If a part is not in the hardware kit, check to see if it has been preassembled. Extra parts may be included.**

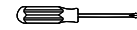
			
M4 x 10mm Screw (92)-4	M4 x 12mm Screw (93)-1	M4 x 16mm Screw (34)-4	#8 x 12mm Screw (82)-4
			
M6 x 16mm Screw (107)-3	M6 x 20mm Screw (103)-4	M8 x 16mm Screw (56)-4	
			
M10 x 58mm Screw (74)-4			

ASSEMBLY

- Assembly requires two persons.
- Place all parts in a cleared area and remove the packing materials. Do not dispose of the packing materials until you finish all assembly steps.
- Left parts are marked “L” or “Left” and right parts are marked “R” or “Right.”
- To identify small parts, see page 7.

- In addition to the included tool(s), assembly requires the following tools:

one Phillips screwdriver

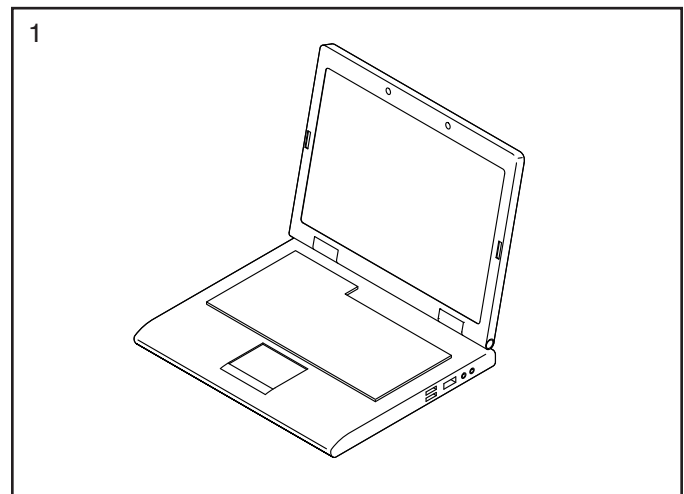


Assembly may be easier if you have your own set of wrenches. To avoid damaging parts, do not use power tools.

1. **Go to www.iconservice.ca/CustomerService/registration and register your product.**

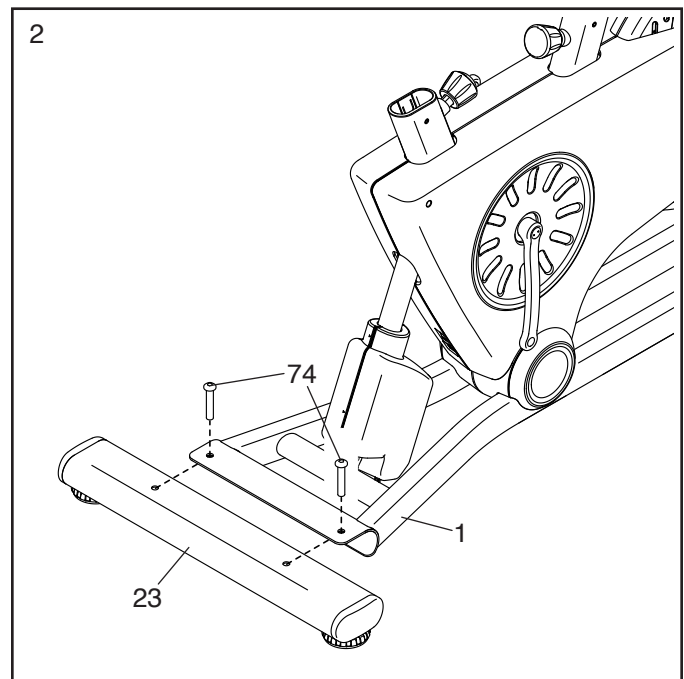
- activates your warranty
- saves you time if you ever need to contact Customer Service
- allows us to notify you of upgrades and offers

Note: If you do not have internet access, call Customer Service (see the front cover of this manual) and register your product.



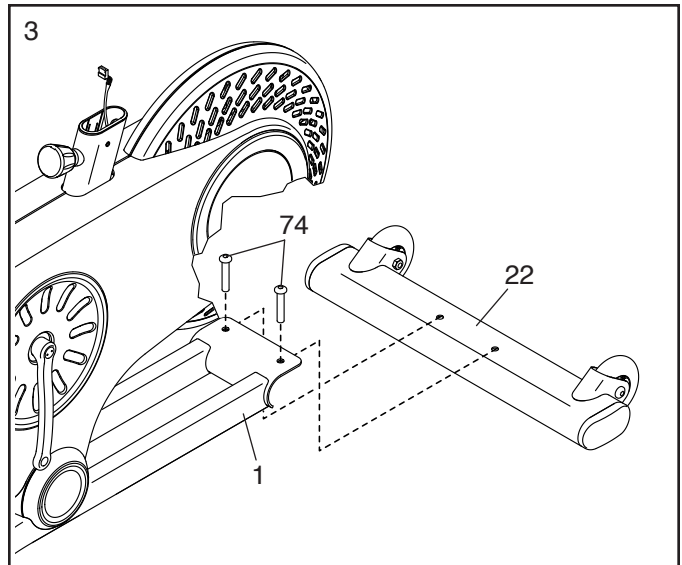
2. If there is a shipping support attached to the rear of the Base (1), remove the screws from the shipping support, and discard the screws and the shipping support.

Attach the Rear Stabilizer (23) to the Base (1) with two M10 x 58mm Screws (74).

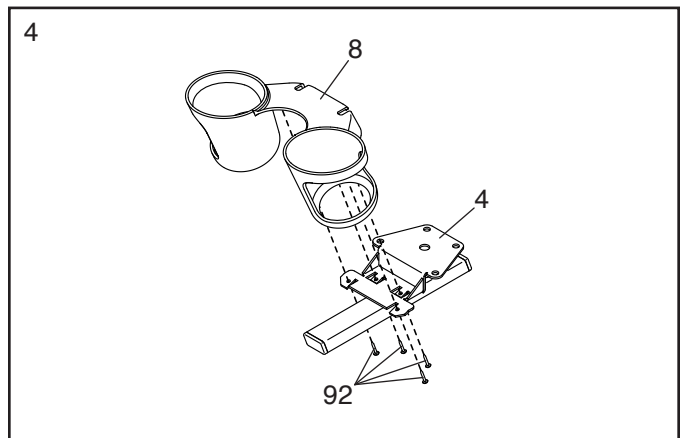


3. If there is a shipping support attached to the front of the Base (1), remove the screws from the shipping support, and discard the screws and the shipping support.

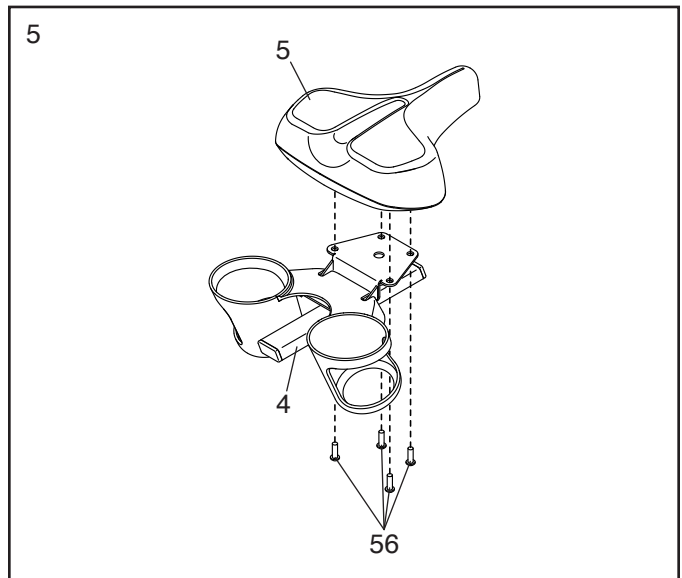
Attach the Front Stabilizer (22) to the Base (1) with two M10 x 58mm Screws (74).



4. Attach the Water Bottle Holder (8) to the Seat Carriage (4) with four M4 x 10mm Screws (92); **start all the Screws, and then tighten them.**

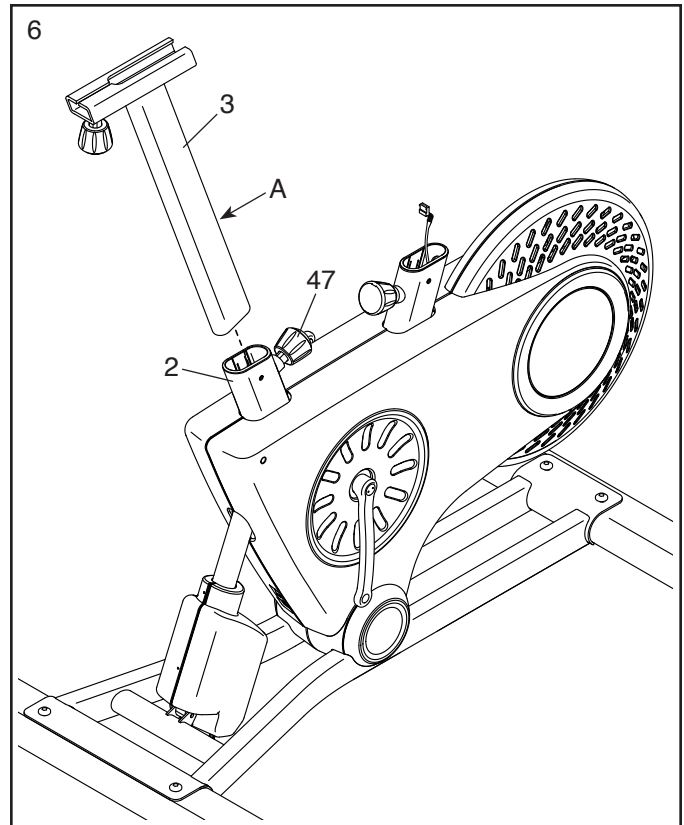


5. Attach the Seat (5) to the Seat Carriage (4) with four M8 x 16mm Screws (56); **start all the Screws, and then tighten them.**



6. Locate the Post Knob (47) on the rear of the Frame (2). Loosen and pull the Post Knob.

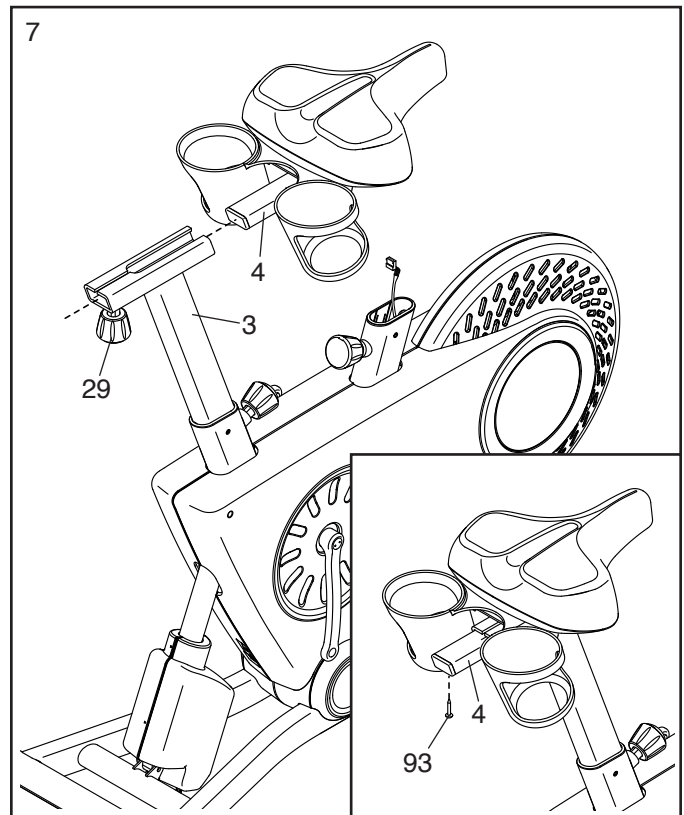
Next, insert the Seat Post (3) into the Frame (2), and release the Post Knob (47) into one of the adjustment holes (A) in the Seat Post. **Make sure that the Post Knob is in an adjustment hole.** Then, tighten the Post Knob.



7. Loosen and pull the Seat Knob (29).

Next, insert the Seat Carriage (4) into the Seat Post (3), and release the Seat Knob (29) into one of the adjustment holes in the Seat Carriage. **Make sure that the Seat Knob is in an adjustment hole.** Then, tighten the Seat Knob.

See the inset drawing. Tighten an M4 x 12mm Screw (93) into the underside of the Seat Carriage (4).

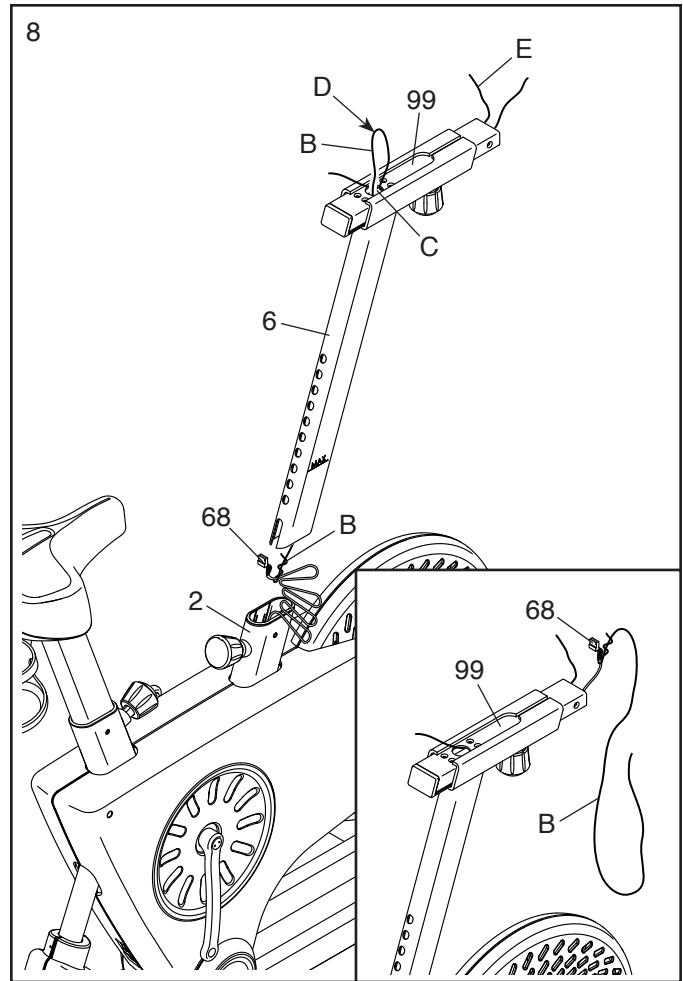


8. Have a second person hold the Handlebar Post (6) near the Frame (2).

Locate the long wire tie (B) in the Handlebar Post (6). Tie the lower end of the long wire tie to the Main Wire (68).

Next, locate the middle of the long wire tie (B) in the access hole (C) in the Handlebar Carriage (99). Pull the long wire tie upward in the indicated location (D) until the end of the Main Wire (68) is in the access hole.

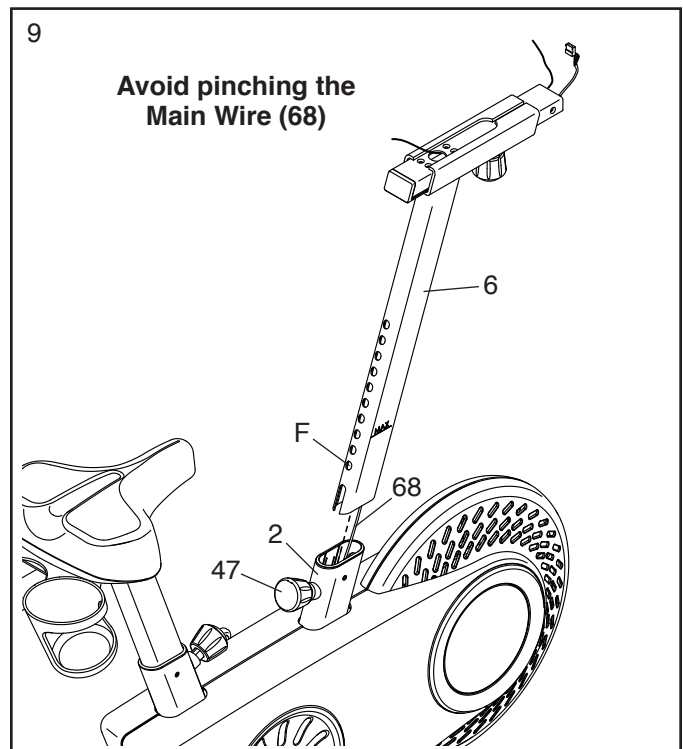
See the inset drawing. Next, pull the free end of the long wire tie (B) until the Main Wire (68) is routed through the Handlebar Carriage (99) as shown. Then, untie and discard the long wire tie; **do not remove the short wire tie (E).**



9. **Tip: Avoid pinching the Main Wire (68) during this step.**

Locate the Post Knob (47) near the front of the Frame (2). Loosen and pull the Post Knob.

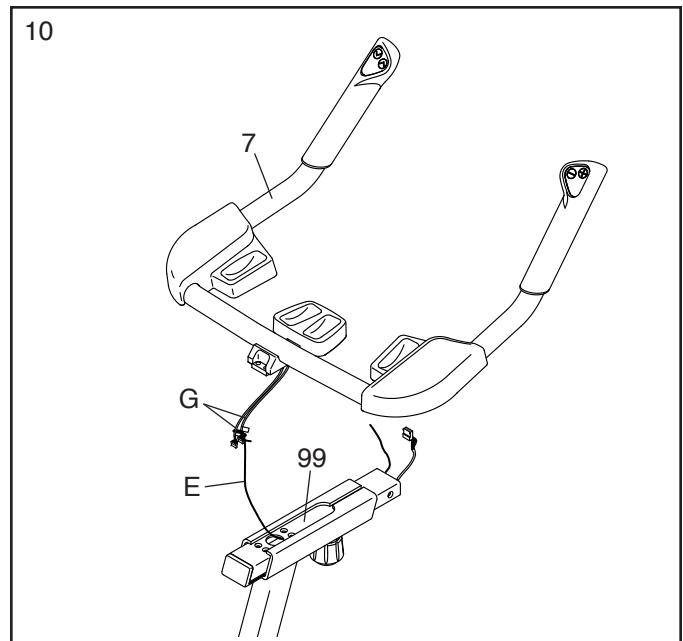
Next, insert the Handlebar Post (6) into the Frame (2), and release the Post Knob (47) into the **lowest** adjustment hole (F) in the Handlebar Post. Then, tighten the Post Knob. Note: After the exercise bike is assembled, you can adjust the Handlebar Post to the desired height.



10. Have a second person hold the Handlebar (7) near the Handlebar Carriage (99).

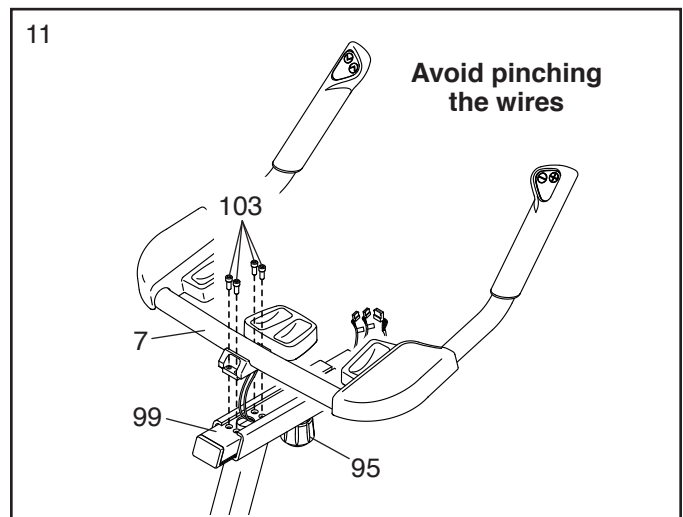
Locate the short wire tie (E) in the Handlebar Carriage (99). Tie the indicated end of the short wire tie to the two wires (G) on the Handlebar (7).

Next, pull the other end of the short wire tie (E) until the two wires (G) are routed through the Handlebar Carriage (99). Then, untie and discard the wire tie.



11. Loosen the Handlebar Knob (95). Next, slide the Handlebar Carriage (99) forward as far as possible. Then, tighten the Handlebar Knob.

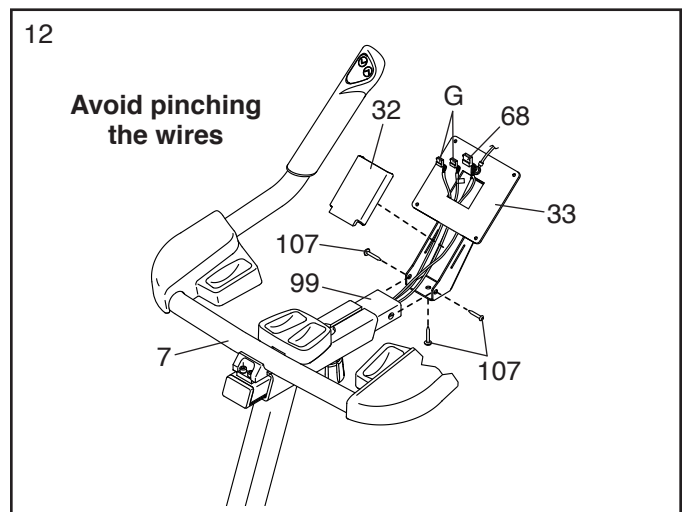
Tip: Avoid pinching the wires. Attach the Handlebar (7) to the Handlebar Carriage (99) with four M6 x 20mm Screws (103); **start all the Screws, and then tighten them.**



12. Hold the Console Bracket (33) near the Handlebar Carriage (99). Insert the Main Wire (68) and the two wires (G) from the Handlebar (7) upward through the Console Bracket.

Tip: Avoid pinching the wires. Attach the Console Bracket (33) to the Handlebar Carriage (99) with three M6 x 16mm Screws (107); **start all the Screws, and then tighten them.**

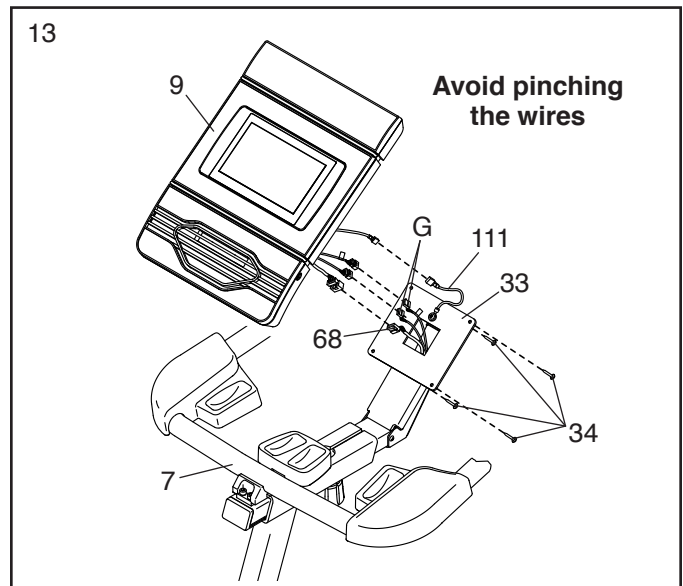
Then, press the Wire Cover (32) onto the Console Bracket (33).



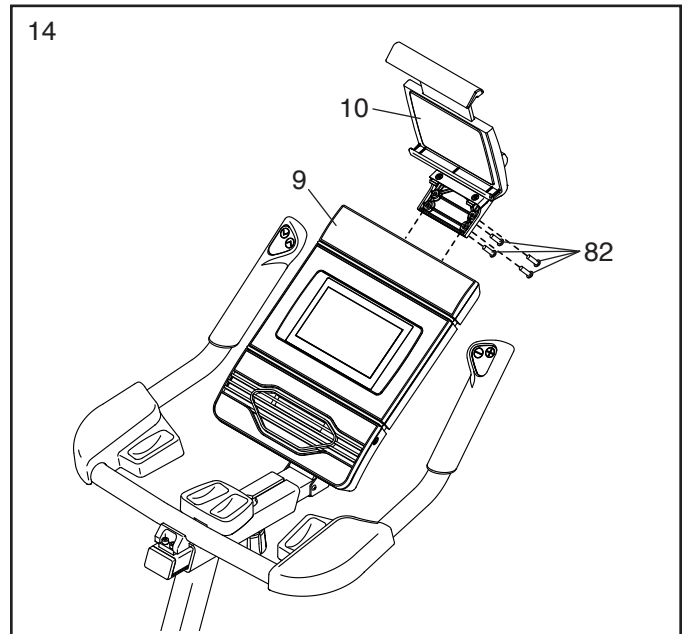
13. Have a second person hold the Console (9) near the Console Bracket (33).

Connect the console wires to the Main Wire (68), to the Ground Wire (111), and to the two wires (G) from the Handlebar (7); **make sure to connect the console wire that has an “R” tag to the wire that has an “R” tag.** Insert the excess wire into the Console Bracket (33).

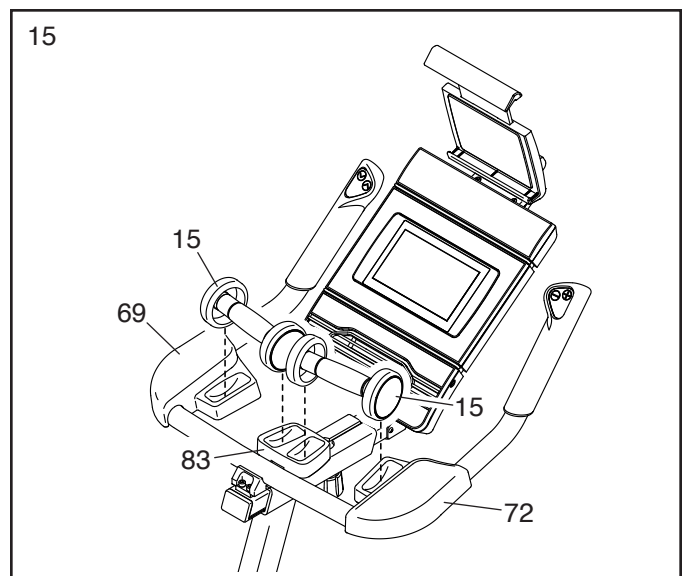
Tip: Avoid pinching the wires. Attach the Console (9) to the Console Bracket (33) with four M4 x 16mm Screws (34); **start all the Screws, and then tighten them.**



14. Attach the Tablet Holder (10) to the Console (9) with four #8 x 12mm Screws (82); **start all the Screws, and then tighten them.**



15. Set the two Hand Weights (15) on the Hand Weight Rest (83) and on the Armrests (69, 72).

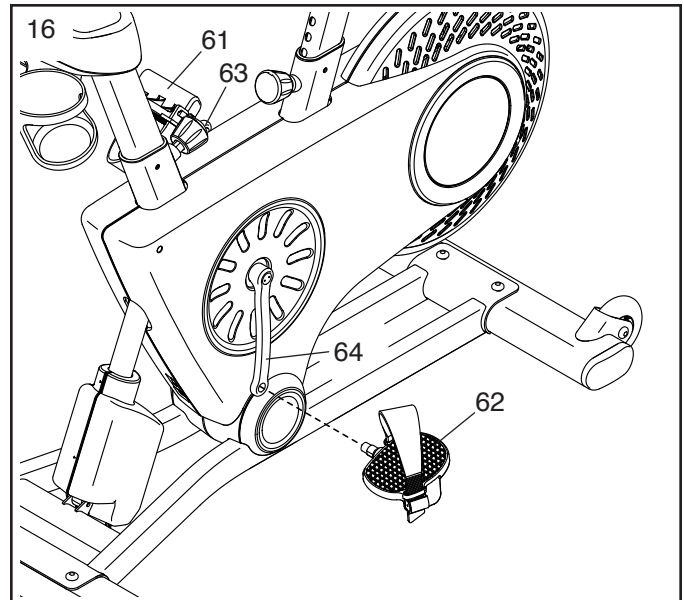


16. Identify the Right Pedal (62).

Using the included flat wrench tool, **firmly tighten** the Right Pedal (62) **clockwise** into the Right Crank Arm (64).

Firmly tighten the Left Pedal (61) counterclockwise into the Left Crank Arm (63). IMPORTANT: You must turn the Left Pedal counterclockwise to attach it.

To adjust the straps on the Pedals (61, 62), see HOW TO USE THE PEDAL STRAPS on page 16.



17. **After the exercise bike is assembled, inspect it to make sure that it is assembled correctly and that it functions properly. Make sure that all parts are properly tightened before you use the exercise bike.** Extra parts may be included. Place a mat beneath the exercise bike to protect the floor.

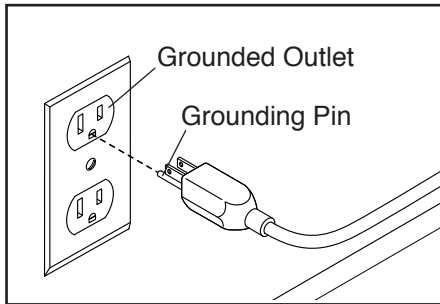
HOW TO USE THE EXERCISE BIKE

HOW TO PLUG IN THE POWER CORD

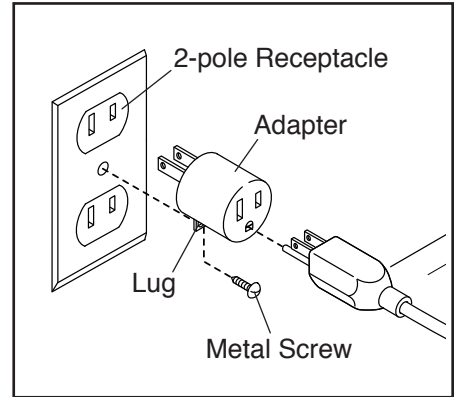
This product must be grounded. If it should malfunction or break down, grounding provides a path of least resistance for electric current to reduce the risk of electric shock. The power cord has a plug with a grounding pin.

⚠ DANGER: Improper connection of the power cord increases the risk of electric shock. Do not modify the plug; if it will not fit an outlet, have a proper outlet installed by a qualified electrician. If you are unsure whether the product is properly grounded, contact a qualified electrician.

Plug the power cord into an appropriate outlet that is properly installed and grounded in accordance with all local codes and ordinances. The outlet must be on a nominal 120-volt circuit.



A temporary adapter may be used to connect the power cord to a 2-pole receptacle as shown at the right if a properly grounded outlet is not available.



The lug or wire extending from the adapter must be connected with a metal screw to a permanent ground such as a properly grounded outlet box cover. **Some 2-pole receptacle outlet box covers are not grounded. Before using an adapter, contact a qualified electrician to determine whether the outlet box cover is grounded before using an adapter. The temporary adapter should be used only until a properly grounded outlet can be installed by a qualified electrician.**

HOW TO ADJUST THE EXERCISE BIKE

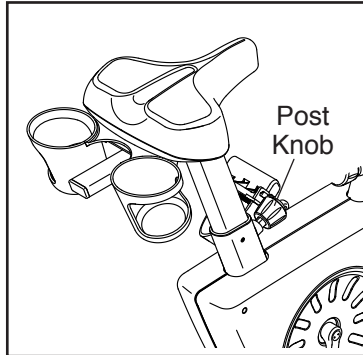
The exercise bike can be adjusted to promote correct form and to ensure proper training of the muscles.

Note: Make adjustments in small increments, and then pedal the exercise bike to test the adjustments.

How to Adjust the Seat Post

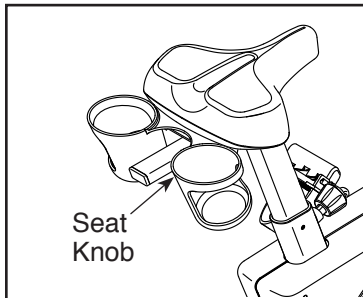
For effective training, the seat should be at the proper height. As you pedal, there should be a slight bend in your knees when the pedals are in the lowest position.

To adjust the height of the seat post, loosen and pull the post knob, move the seat post upward or downward, release the post knob into an adjustment hole in the seat post, and then tighten the post knob. **Move the seat post upward or downward slightly to make sure that the post knob is engaged in an adjustment hole.**



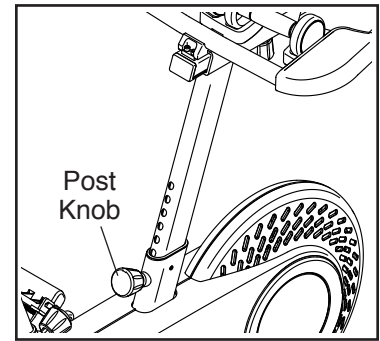
How to Adjust the Seat Carriage

To adjust the position of the seat carriage, loosen and pull the seat knob, move the seat carriage forward or backward, release the seat knob into an adjustment hole in the seat carriage, and then retighten the seat knob.



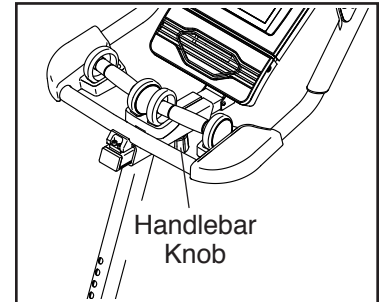
How to Adjust the Handlebar Post

To adjust the height of the handlebar post, loosen and pull the post knob, move the handlebar post upward or downward, release the post knob into an adjustment hole in the handlebar post, and then tighten the post knob. **Move the seat post upward or downward slightly to make sure that the post knob is engaged in an adjustment hole.**



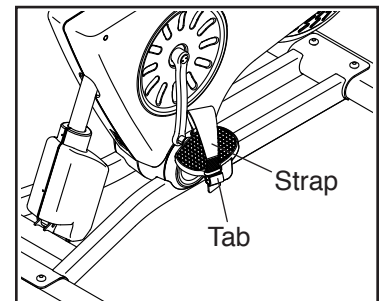
How to Adjust the Handlebar Carriage

To adjust the position of the handlebar carriage, loosen the handlebar knob, move the handlebar carriage forward or backward, and then retighten the handlebar knob.



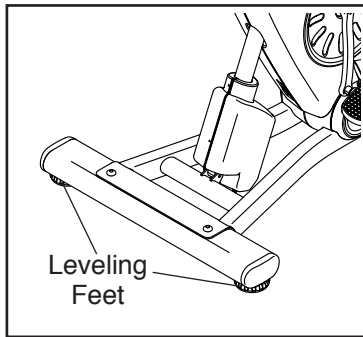
HOW TO USE THE PEDAL STRAPS

To tighten the straps, pull the ends of the straps downward. To loosen the straps, press the tabs on the pedals and pull the straps upward.



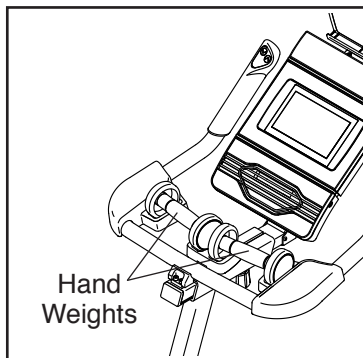
HOW TO LEVEL THE EXERCISE BIKE

If the exercise bike rocks slightly on your floor during use, turn one or both of the leveling feet beneath the rear stabilizer until the rocking motion is eliminated.



HOW TO USE THE HAND WEIGHTS

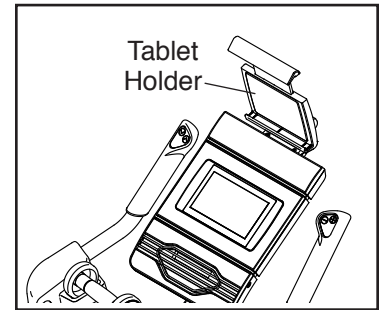
To add upper body exercise to your workouts, use the hand weights while you pedal. When you are not using the hand weights, store them on the hand weight rest.

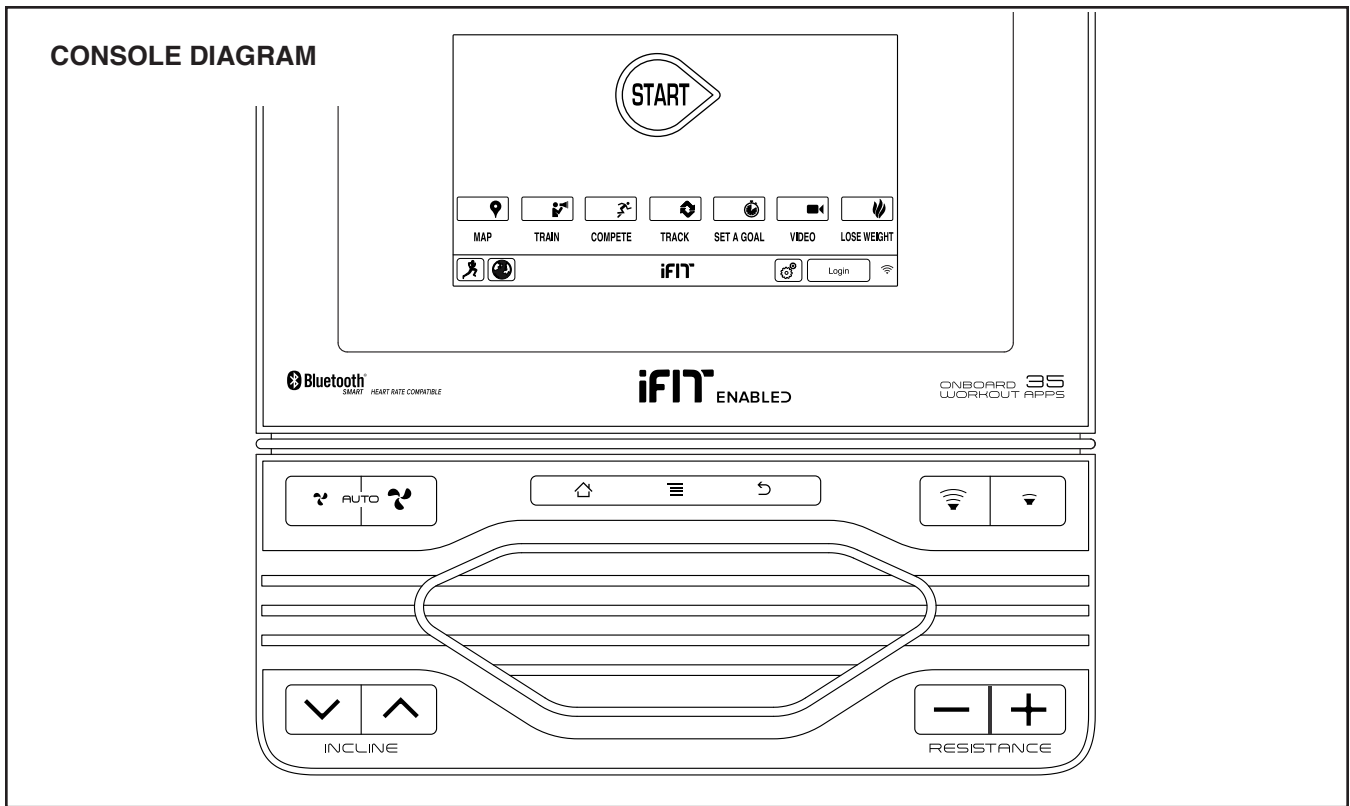


HOW TO USE THE TABLET HOLDER

IMPORTANT: The tablet holder is designed for use with most full-size tablets. Do not place any other electronic device or object in the tablet holder.

To insert a tablet into the tablet holder, set the bottom edge of the tablet in the tray. Then, pull the clip over the top edge of the tablet. **Make sure that the tablet is firmly secured in the tablet holder.** Rotate the tablet holder to the desired angle. Reverse these actions to remove the tablet from the tablet holder.





MAKE YOUR FITNESS GOALS A REALITY WITH IFIT.COM

With your new iFit-compatible fitness equipment, you can use an array of features on iFit.com to make your fitness goals a reality:



Train anywhere in the world with customizable Google Maps.



Download training workouts designed to help you reach your personal goals.



Measure your progress by competing against other users in the iFit community.



Upload your workout results to the iFit cloud and track your accomplishments.



Set calorie, time, distance, or watts goals for your workouts.



Watch high-definition videos with simulated workouts.



Choose and download sets of weight-loss workouts.

Go to iFit.com to learn more.

FEATURES OF THE CONSOLE

The advanced console offers an array of features designed to make your workouts more effective and enjoyable.

When you use the manual mode of the console, you can change the resistance of the pedals and the incline of the frame with the touch of a button.

While you exercise, the console will display continuous exercise feedback, including watts and pedaling cadence feedback.

During your workout, you can do intervals at any time to measure your performance over short periods of time. The console will record and display your results for each interval.

You can also measure your heart rate using an optional heart rate monitor. **See page 31 for information about purchasing an optional chest heart rate monitor.**

In addition, the console features a selection of onboard workouts and several iFit demo workouts. Each workout automatically controls the resistance of the pedals and the incline of the frame and prompts you to vary your pedaling speed as it guides you through an effective exercise session. You can also set a customized workout goal with the set-a-goal workout.

The console also features new iFit technology that enables the console to communicate with your wireless network. With iFit technology, you can download personalized workouts, create your own workouts, track your workout results, and access many other features. **See www.iFit.com for complete information.**

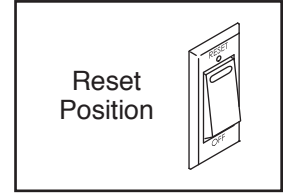
You can also browse the internet or listen to your favorite workout music or audio books with the console sound system while you exercise.

To turn on the power, see this page. **To learn how to use the touch screen**, see page 20. **To set up the console**, see page 20.

HOW TO TURN ON THE POWER

IMPORTANT: If the exercise bike has been exposed to cold temperatures, allow it to warm to room temperature before you turn on the power. If you do not do this, you may damage the console displays or other electrical components.

Plug in the power cord (see HOW TO PLUG IN THE POWER CORD on page 15). Next, locate the power switch on the frame near the power cord. Press the power switch to the reset position.



The display will then turn on and the console will be ready for use.

Note: When you turn on the power for the first time, the incline system may calibrate automatically. The exercise bike will move upward and downward as it calibrates. When the exercise bike stops moving, the incline system is calibrated.

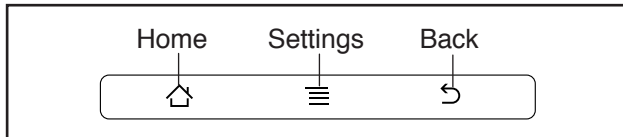
IMPORTANT: If the incline system does not calibrate automatically, see step 4 on page 29 and manually calibrate the incline system.

IMPORTANT: The console features a display demo mode, designed to be used if the exercise bike is displayed in a store. If the demo mode is turned on, the console will not turn off and the display will not be reset when you finish exercising. To turn off the demo mode, see step 7 on page 27.

HOW TO USE THE TOUCH SCREEN

The console features a tablet with a full-color touch screen. The following information will help you become familiar with the tablet's advanced technology:

- The console functions similarly to other tablets. You can slide or flick your finger against the screen to move certain images on the screen, such as the displays in a workout. However, you cannot zoom in and out by sliding your fingers on the screen.
- To type information into a text box, first touch the text box to view the keyboard. To use numbers or other characters on the keyboard, touch the ?123 button. To view more characters, touch the Alt button. Touch the Alt button again to return to the number keyboard. To return to the letter keyboard, touch the ABC button. To use a capital character, touch the button with an upward-facing arrow. To use multiple capital characters, touch the arrow button again. To return to the lowercase keyboard, touch the arrow button a third time. To clear the last character, touch the button with a backward-facing arrow and an X.
- Use these buttons on the console to navigate the tablet. Press the home button to return to the main menu. Press the settings button to access the settings menu (see page 27). Press the back button to return to the previous screen.



HOW TO SET UP THE CONSOLE

Before using the exercise bike for the first time, follow the steps below to set up the console.

1. Connect to a wireless network.

Note: To access the internet, download iFit workouts, and use some other features of the console, the console must be connected to a wireless network. See HOW TO USE THE WIRELESS NETWORK MODE on page 30 to connect the console to your wireless network.

2. Check for firmware updates.

First, see step 1 on page 27 and step 2 on page 29 and select the maintenance mode. Then, see step 3 on page 29 and check for firmware updates.

3. Calibrate the incline system.

First, see step 1 on page 27 and step 2 on page 29 and select the maintenance mode. Then, see step 4 on page 29 and calibrate the incline system of the exercise bike.

4. Create an iFit account.

On your computer, smartphone, tablet, or other internet-capable device, open an internet browser and go to www.iFit.com. Follow the prompts on the website to sign up for your iFit membership. If you have an activation code, select the code activation option.

The console is now ready for you to begin training. The following pages explain the various workouts and other features that the console offers.

To use the manual mode, see page 21. **To use an onboard workout**, see page 23. **To use a set-a-goal workout**, see page 24. **To use an iFit workout**, see page 25.

To use the equipment settings mode, see page 27. **To use the maintenance mode**, see page 29. **To use the wireless network mode**, see page 30. **To use the sound system**, see page 31. **To use the internet browser**, see page 31.

Note: If there is a sheet of plastic on the display, remove the plastic.

The console can display speed and distance in either miles or kilometers. To find which unit of measurement is selected, see step 14 on page 28. For simplicity, all instructions in this section refer to miles.

HOW TO USE THE MANUAL MODE

1. Touch the screen or begin pedaling to activate the console.

See HOW TO TURN ON THE POWER on page 19.

2. Select the main menu.

When you turn on the console, the main menu will appear on the screen after the console boots up.

Touch the home button at the bottom of the screen to return to the main menu at any time.

Touch the Start button to start a manual workout.

3. Change the resistance of the pedals as desired.

As you pedal, you can change the resistance of the pedals. To change the resistance level, press the Resistance increase and decrease buttons on the console or press the Resist increase and decrease buttons on the right handlebar.

Note: After you press a button, it will take a moment for the pedals to reach the selected resistance level.

4. Change the incline of the frame as desired.

As you pedal, you can change the incline of the frame. To change the incline level, press the Incline increase and decrease buttons on the console or press the Incline increase and decrease buttons on the left handlebar.

Note: After you press a button, it will take a moment for the frame to reach the selected incline level. You will hear the incline motor while the incline is changing. This is normal.

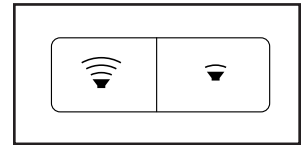
CAUTION: The exercise bike can move through a broad range of incline levels. Hold the handlebars and be prepared for the exercise bike to move when you change the incline.

5. Follow your progress.

The console offers several display modes. The display mode that you select will determine which workout information is shown.

To select the desired display mode, simply flick or slide the screen. You can also view additional workout information by touching the red boxes on the screen.

If desired, adjust the volume level by pressing the volume increase and decrease buttons on the console.



To pause the workout, stop pedaling or touch either the back button or the home button at the bottom of the screen. To continue the workout, touch the Resume button. To end the workout session, touch the End Workout button.

When you touch the End Workout button, a workout summary will appear on the screen. After you view the workout summary, touch the Finish button to return to the main menu. You may also be able to either save or publish your results using one of the options on the screen.

6. Do intervals if desired.

During a workout, you can use the interval screen to measure your performance for short periods of time. To select the interval screen, simply flick or slide the screen.

To begin an interval, touch the Start button. To end the current interval, touch the Lap button. You can add as many intervals as desired to your workout.

The console will record data for each interval that you can view at any time during your workout. The interval screen will show a list of the recorded intervals. Scroll the screen to view data for the desired interval.

7. Wear a heart rate monitor and measure your heart rate if desired.

You can wear an optional heart rate monitor to measure your heart rate. For more information about the optional heart rate monitor, see page 31. Note: The console is compatible with BLUETOOTH® Smart heart rate monitors.

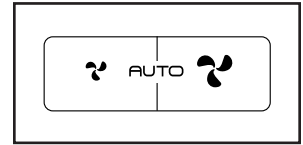
When your heartbeat is detected, your heart rate will be shown in the display on the screen.

8. Turn on the fan if desired.

The fan has several speed settings, including an auto mode.

While the auto mode is selected, the speed of

the fan will automatically increase or decrease as your pedaling speed and/or your power output in watts increases or decreases. Press the fan increase and decrease buttons repeatedly to select a fan speed or to turn off the fan.



Note: If the pedals are not moved for a while when the main menu is selected, the fan will turn off automatically.

9. When you are finished exercising, unplug the power cord.

When you are finished exercising, press the power switch to the off position and unplug the power cord. **IMPORTANT: If you do not do this, the electrical components of the exercise bike may wear prematurely.**

HOW TO USE AN ONBOARD WORKOUT

1. Touch the screen or begin pedaling to activate the console.

See HOW TO TURN ON THE POWER on page 19.

2. Select the main menu.

See step 2 on page 21.

3. Select an onboard workout.

To select an onboard workout, first touch the cyclist button at the bottom of the screen. The workouts menu will appear on the screen.

Select the desired workout category from the workouts menu and then select the desired workout. Note: It may be necessary to scroll the screen to view all the menu options.

The screen will show the name, the estimated duration, and the distance of the workout. The screen will also show the approximate number of calories you will burn during the workout and a map of the workout. Note: You may be able to select other variables for the workout on this screen.

4. Start the workout.

Touch the Start Workout button to start the workout.

The workout may have a warm-up segment. To skip the warm-up segment, touch the Skip button. To select warm-up segment options for the exercise bike, see step 15 on page 28.

Each workout is divided into segments. One resistance level, one incline level, and one target cadence (speed) are programmed for each segment.

During the workout, the profiles will show your progress. To view the profiles, flick or slide the screen.

During some workouts, the screen will show a map of the route and a marker indicating your progress. Touch the buttons on the screen to select the desired map options.

As you exercise, keep your pedaling speed near the target cadence for the current segment. The target zone meter will prompt you to increase, decrease, or maintain your pedaling speed. To view the target zone meter, flick or slide the screen. Note: The target cadence is displayed in revolutions per minute (rpm).

IMPORTANT: The target cadence is intended only to provide motivation. Your actual pedaling speed may be slower than the target cadence. Make sure to pedal at a speed that is comfortable for you.

If the resistance level and/or incline level for the current segment is too high or too low, you can manually override the setting by pressing the Resistance buttons or the Incline buttons. **If you press a Resistance button**, you can then manually control the resistance level (see step 3 on page 21). **If you press an Incline button**, you can then manually control the incline level (see step 4 on page 21). **To return to the programmed resistance and/or incline settings of the workout**, touch the Follow Workout button.

Note: The calorie goal is an estimate of the number of calories that you will burn during the workout. The actual number of calories that you burn will depend on various factors, such as your weight. In addition, if you manually change the resistance level or incline level during the workout, the number of calories you burn will be affected.

To pause the workout, touch either the back button or the home button at the bottom of the screen. To continue the workout, touch the Resume button. To end the workout, touch the End Workout button.

The workout will continue in this way until the last segment ends. A workout summary will appear on the screen. After you view the workout summary, touch the Finish button to return to the main menu. You may also be able to either save or publish your results using one of the options on the screen.

5. Follow your progress.

See step 5 on page 21.

6. Do intervals if desired.

See step 6 on page 22.

7. Wear a heart rate monitor and measure your heart rate if desired.

See step 7 on page 22.

8. Turn on the fan if desired.

See step 8 on page 22.

9. When you are finished exercising, unplug the power cord.

See step 9 on page 22.

HOW TO USE A SET-A-GOAL WORKOUT

1. Touch the screen or begin pedaling to activate the console.

See HOW TO TURN ON THE POWER on page 19.

2. Select the main menu.

See step 2 on page 21.

3. Select a set-a-goal workout.

To select a set-a-goal workout, touch the Set A Goal button on the screen.

To set a customized goal for your workout, touch the button for the desired goal. Then, touch the increase and decrease buttons on the screen to enter your goal and to select other variables for the workout. The screen will show the duration and distance of the workout, and the approximate number of calories you will burn during the workout.

4. Start the workout.

The workout may have a warm-up segment. To skip the warm-up segment, touch the Skip button. To select warm-up segment options for the exercise bike, see step 15 on page 28.

Touch the Start button to start the workout.

The workout will function in the same way as the manual mode (see page 21).

As you exercise, keep your pedaling speed near the target cadence for the current segment. The target zone meter will prompt you to increase, decrease, or maintain your pedaling speed. To view the target zone meter, flick or slide the screen. Note: The target cadence is displayed in revolutions per minute (rpm).

IMPORTANT: The target cadence is intended only to provide motivation. Your actual pedaling speed may be slower than the target cadence. Make sure to pedal at a speed that is comfortable for you.

If the resistance level and/or incline level for the current segment is too high or too low, you can manually override the setting by pressing the Resistance buttons or the Incline buttons. **If you press a Resistance button**, you can then manually control the resistance level (see step 3 on page 21). **If you press an Incline button**, you can then manually control the incline level (see step 4 on page 21). **To return to the programmed resistance and/or incline settings of the workout**, touch the Follow Workout button.

Note: The calorie goal is an estimate of the number of calories that you will burn during the workout. The actual number of calories that you burn will depend on various factors such as your weight. In addition, if you manually change the resistance level or the incline level during the workout, the number of calories you burn will be affected.

The workout will continue until you reach the goal that you set. A workout summary will appear on the screen. After you view the workout summary, touch the Finish button to return to the main menu. You may also be able to either save or publish your results using one of the options on the screen.

5. Follow your progress.

See step 5 on page 21.

6. Do intervals if desired.

See step 6 on page 22.

7. Wear a heart rate monitor and measure your heart rate if desired.

See step 7 on page 22.

8. Turn on the fan if desired.

See step 8 on page 22.

9. When you are finished exercising, unplug the power cord.

See step 9 on page 22.

HOW TO USE AN IFIT WORKOUT

To use an iFit workout, the console must be connected to a wireless network (see HOW TO USE THE WIRELESS NETWORK MODE on page 30). An iFit account is also required.

1. Add workouts to your schedule on iFit.com.

On your computer, smartphone, tablet, or other device, open an internet browser, go to www.iFit.com, and sign in to your iFit account.

Next, navigate to Menu > Library on the website. Browse the workout programs in the library and join the desired workouts.

Then, navigate to Menu > Schedule to view your schedule. All of the workouts that you have joined will appear on your schedule; you can arrange or delete the workouts on your schedule as desired.

Take time to explore the iFit.com website before you log out.

2. Begin pedaling or press any button on the console to turn on the console.

See HOW TO TURN ON THE POWER on page 19.

3. Select the main menu.

See step 2 on page 21.

4. Log in to your iFit account.

If you have not already done so, touch the Login button to log in to your iFit account. Enter your iFit.com username and password and touch the Login button.

To switch users within your iFit account, touch the user button at the bottom of the screen. If more than one user is associated with your iFit account, a list of users will appear. Touch the name of the desired user.

5. Select an iFit workout.

IMPORTANT: Before iFit workouts will download, you must add them to your schedule on iFit.com (see step 1).

To download an iFit workout from iFit.com to the console, touch the Map, Train, Video, or Lose Wt. button. The next workout of that type in your schedule will then download. Note: You may be able to access demo workouts through these buttons, even if you do not log in to your iFit account.

To compete in a race or challenge that you have previously joined on iFit.com, touch the Compete button. **To view your workout history,** touch the Track button. **To use a set-a-goal workout,** touch the Set A Goal button (see page 24).

For more information about iFit workouts, please see www.iFit.com.

When you select an iFit workout, the screen will show the name and estimated duration of the workout. The screen will also show the approximate number of calories you will burn during the workout.

If the iFit workout is a race or challenge, the display will count down to the beginning of the race.

6. Start the workout.

See step 4 on page 23. During some workouts, an audio coach will guide you through your workout.

Note: You can manually override the incline settings by pressing the Grade buttons. **To return to the programmed incline settings of the workout,** touch the Follow Workout button.

7. Follow your progress.

See step 5 on page 21. The screen may also show a map of the route and a marker indicating your progress. Touch the buttons on the screen to select the desired map options.

During a race or challenge, the screen will show your position in the race relative to other competitors.

8. Do intervals if desired.

See step 6 on page 22.

9. Wear a heart rate monitor and measure your heart rate if desired.

See step 7 on page 22.

10. Turn on the fan if desired.

See step 8 on page 22.

11. When you are finished exercising, unplug the power cord.

See step 9 on page 22.

For more information about iFit features, go to www.iFit.com.

HOW TO USE THE EQUIPMENT SETTINGS MODE

IMPORTANT: Some of the features described may not be enabled. Occasionally, a firmware update may cause your console to function slightly differently.

1. Select the settings main menu.

Turn on the console and select the main menu (see steps 1 and 2 on page 21). Then, touch the gears button at the bottom of the screen to select the settings main menu.

Note: You can also press the settings button on the console to access the settings main menu.

2. Select the equipment settings mode.

In the settings main menu, touch the Equipment Settings button.

Note: It may be necessary to scroll the screen to view all the menu options.

3. Enable or disable the auto relogin feature.

Enable this feature to have the console automatically log in to your iFit account when you turn on the power. Note: This feature is recommended for private owners of the exercise bike only.

To enable or disable the auto relogin feature, first touch the Auto Relogin button. Next, touch the Enable checkbox or the Disable checkbox. Then, touch the back button on the screen.

4. Enable or disable automatic console updates.

To enable or disable automatic console updates, first touch the Auto Update button. Next, touch the Enable checkbox or the Disable checkbox. Then, touch the back button on the screen.

Note: To select a time for automatic console updates, see step 13.

5. Enable or disable the internet browser.

To enable or disable the internet browser, first touch the Browser button. Next, touch the Enable checkbox or the Disable checkbox. Then, touch the back button on the screen.

6. Select a time for the cadence timeout.

The console features a cadence timeout feature; if no buttons are touched or pressed and the pedals do not move for a set amount of time, the console will prompt you to resume or end the workout.

To select the amount of time the console will wait before it prompts you to resume or end the workout, touch the Cadence Timeout button and select the desired time. Then, touch the back button on the screen.

7. Turn on or turn off the display demo mode.

The console features a display demo mode, designed to be used if the exercise bike is displayed in a store. While the demo mode is turned on, the screen will show a demo presentation.

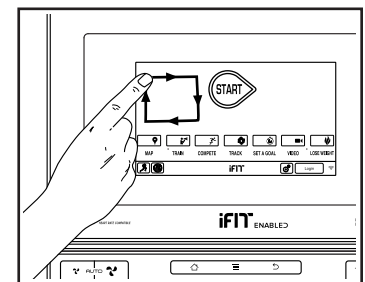
To turn on or turn off the display demo mode, first touch the Demo Mode button. Next, touch the On checkbox or the Off checkbox. Then, touch the back button on the screen.

8. Hide or display the gears button.

The console features an option to hide the gears button to prevent unauthorized users from accessing the settings main menu.

To hide or display the gears button, touch the Hide Settings button and select the desired checkbox. Then, follow the prompts on the screen.

IMPORTANT: To access the settings main menu when the gears button is hidden, draw a square clockwise on the screen.



9. Select a language.

To select a language, touch the Language button and select the desired language. Then, follow the prompts on the screen.

10. Enable or disable a passcode.

The console features a child safety passcode, designed to prevent unauthorized users from using the exercise bike.

To enable or disable a passcode, touch the Passcode button. To enable a passcode, touch the Enable checkbox. Then, enter a 4-digit passcode of your choice. Touch the Save button to use this passcode. Touch the Cancel button to return to the equipment settings mode and not use a passcode. To disable the passcode, touch the Disable checkbox. Then, touch the back button on the screen.

Note: If a passcode is enabled, the console will regularly ask for you to enter the passcode. The console will remain locked until the correct passcode is entered. **IMPORTANT: If you forget your passcode, enter the following master passcode to unlock the console: 1985.**

11. Enable or disable street view.

During some workouts, the screen may show a map. To enable or disable the street view feature of the maps, first touch the Street View button. Next, touch the Enable checkbox or the Disable checkbox. Then, touch the back button on the screen.

12. Select a time zone.

To select a time zone, touch the Timezone button and select the desired time zone. Then, touch the back button on the screen.

13. Select an update time.

To select a time for automatic console updates, touch the Update Time button and select the desired time. Then, touch the back button on the screen.

When you select an update time, you must also enable automatic console updates (see step 4).

IMPORTANT: You must still unplug the power cord after using your exercise bike. Set the update time for a time when you normally use your exercise bike and will be available to unplug the power cord after an update.

14. Select the unit of measurement.

Touch the US/Metric button to view the selected unit of measurement. Next, touch the checkbox for the desired unit of measurement. Then, touch the back button on the screen.

15. Select a warm-up segment option.

When you select a workout, there may be a warm-up segment before the workout begins. To select a time for the warm-up segment or to disable the warm-up segment, touch the Warm Up Time button and select the desired option. Then, touch the back button on the screen.

16. Exit the equipment settings mode.

To exit the equipment settings mode, touch the back button on the screen.

HOW TO USE THE MAINTENANCE MODE

IMPORTANT: Some of the features described may not be enabled. Occasionally, a firmware update may cause your console to function slightly differently.

1. Select the settings main menu.

See step 1 on page 27.

2. Select the maintenance mode.

In the settings main menu, touch the Maintenance button to enter the maintenance mode.

The maintenance mode main screen will show information about the console and the wireless network.

3. Update the console firmware.

For the best results, regularly check for firmware updates.

Touch the Firmware Update button to check for firmware updates using your wireless network. The update will begin automatically. Note: If there are no firmware updates available, touch the back button on the screen.

IMPORTANT: To avoid damaging the exercise bike, do not turn off the power while the firmware is being updated.

The screen will show the progress of the update. When the update is complete, the exercise bike will turn off and then turn back on. If it does not, press the power switch into the off position. Wait for several seconds, and then press the power switch into the reset position. Note: It may take a few minutes for the console to be ready for use.

Note: Occasionally, a firmware update may cause your console to function slightly differently. These updates are always designed to improve your training experience.

4. Calibrate the incline system of the exercise bike.

Touch the Calibrate Incline button. Then, touch the Begin button to calibrate the incline system.

The exercise bike will automatically rise to the maximum incline level, lower to the minimum incline level, and then return to the starting position. This will calibrate the incline system.

IMPORTANT: Keep pets, feet, and other objects away from the exercise bike while the incline system is calibrating.

When the incline system is calibrated, touch the back button on the screen.

5. View machine information.

Touch the Machine Info button to view information about your exercise bike. After you view the information, touch the back button on the screen.

6. Find keycodes.

This option is intended to be used by service technicians to identify whether a certain button is working correctly.

7. Exit the maintenance mode.

To exit the maintenance mode, touch the back button on the screen.

HOW TO USE THE WIRELESS NETWORK MODE

The console features a wireless network mode that allows you to set up a wireless network connection.

Note: You must have your own wireless network and an 802.11b/g router with SSID broadcast enabled (hidden networks are not supported).

1. Select the settings main menu.

See step 1 on page 27.

2. Select the wireless network mode.

In the settings main menu, touch the Network Setup button to enter the wireless network mode.

Note: You can also touch the wireless symbol button at the bottom of the screen to enter the wireless network mode.

3. Enable Wi-Fi.

Make sure that the Wi-Fi checkbox is marked with a green checkmark. If it is not, touch the Wi-Fi menu option once and wait for a few seconds. The console will search for available wireless networks.

4. Set up and manage a wireless network connection.

When Wi-Fi is enabled, the screen will show a list of available networks. Note: It may take several seconds for the list of wireless networks to appear.

Make sure that the checkbox on the Network notification menu option is marked with a green checkmark to have the console notify you when a wireless network is within range and available.

When a list of networks appears, touch the desired network. Note: You will need to know your network name (SSID). If your network has a password, you will also need to know the password.

An information box will ask if you want to connect to the wireless network. Touch the Connect button to connect to the network or touch the Cancel button to return to the list of networks. If the network has a password, touch the password entry box. A keyboard will appear on the screen. To view the password as you type it, touch the Show Password checkbox.

To use the keyboard, see HOW TO USE THE TOUCH SCREEN on page 20.

The Wi-Fi menu option will inform you when the console is connected to your wireless network.

To disconnect from a wireless network, select the wireless network and then touch the Forget button.

If you are having problems connecting to an encrypted network, make sure that your password is correct. Note: Passwords are case-sensitive.

Note: The iFit mode supports unsecured and secured (WEP, WPA™, and WPA2™) encryption. A broadband connection is recommended; performance depends on connection speed.

Note: If you have questions after following these instructions, go to support.iFit.com for assistance.

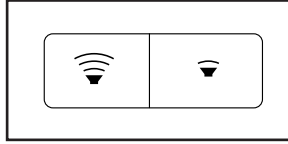
5. Exit the wireless network mode.

To exit the wireless network mode, touch the back button on the screen.

HOW TO USE THE SOUND SYSTEM

To play music or audio books through the console sound system while you exercise, plug a 3.5 mm male to 3.5 mm male audio cable (not included) into the jack on the console and into a jack on your personal audio player; **make sure that the audio cable is fully plugged in. Note: To purchase an audio cable, see your local electronics store.**

Next, press the play button on your personal audio player. Adjust the volume level using the Volume increase and decrease buttons on the console or the volume control on your personal audio player.



HOW TO USE THE INTERNET BROWSER

Note: To use the internet browser, you must have access to a wireless network including a wireless router (802.11b/g) with SSID broadcast enabled (hidden networks are not supported).

To open the internet browser, touch the globe button at the bottom of the screen. Then, select a website.

To navigate the internet browser, touch the Back, Refresh, and Forward buttons on the screen. To exit the internet browser, touch the Return button on the screen.

To use the keyboard, see HOW TO USE THE TOUCH SCREEN on page 20.

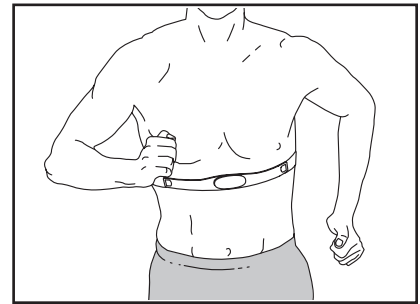
To enter a different web address in the URL bar, first, slide your finger down the screen to view the URL bar, if necessary. Then, touch the URL bar, use the keyboard to enter the address, and touch the Go button.

Note: While you are using the internet browser, the incline, gear, and volume buttons will still function, but other buttons will not function.

Note: If you have questions after following these instructions, go to support.iFit.com for assistance.

THE OPTIONAL HEART RATE MONITOR

Whether your goal is to burn fat or to strengthen your cardiovascular system, the key to achieving the best results is to maintain the proper heart rate during your workouts. The optional chest heart rate monitor will enable you to continuously monitor your heart rate while you exercise, helping you to reach your personal fitness goals. **To purchase a chest heart rate monitor, please see the front cover of this manual.**



Note: The console is compatible with all BLUETOOTH Smart heart rate monitors.

MAINTENANCE AND TROUBLESHOOTING

HOW TO MAINTAIN THE EXERCISE BIKE

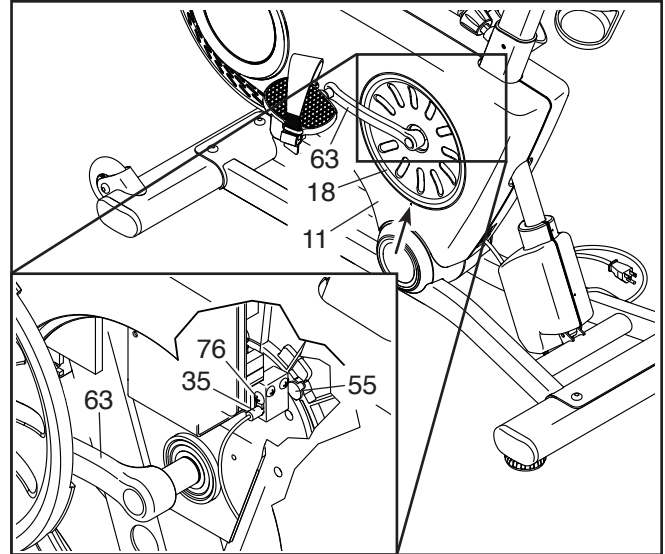
Regular maintenance is important for optimal performance and to reduce wear. Inspect and properly tighten all parts each time the exercise bike is used. Replace any worn parts immediately.

To clean the exercise bike, use a damp cloth and a small amount of mild detergent. **IMPORTANT: To avoid damage to the console, keep liquids away from the console and keep the console out of direct sunlight.**

HOW TO ADJUST THE REED SWITCH

If the console does not display accurate feedback, the reed switch should be adjusted. Before you adjust the reed switch, **unplug the power cord.**

See the drawing at the right. Insert a standard screwdriver under the left Shield Disc (18) in the location shown by the arrow, and gently pry the Shield Disc off the Left Shield (11). Then, carefully move the Shield Disc over the Left Crank Arm (63) and away from the opening in the Left Shield.



See the inset drawing above. Locate the Reed Switch (35). Turn the Left Crank Arm (63) until a Magnet (55) is aligned with the Reed Switch. Next, **slightly loosen** the M5 x 16mm Screw (76), slide the Reed Switch slightly closer to or away from the Magnet, and then retighten the Screw.

Then, plug in the power cord, and move the Left Crank Arm (63) back and forth so that the Magnet (55) passes the Reed Switch (35) repeatedly.

Repeat these actions until the console displays correct feedback. Then, reattach the left shield disc.

HOW TO ADJUST THE DRIVE BELT

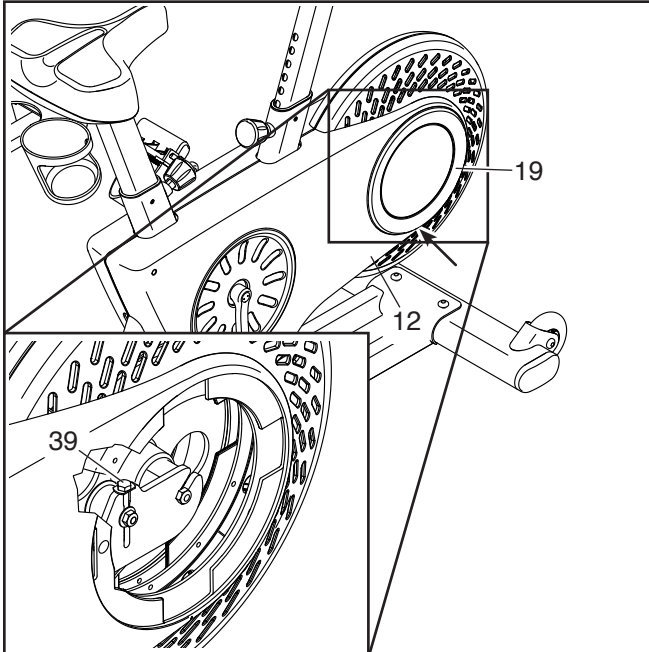
If the pedals slip while you are pedaling, the drive belt may need to be adjusted. Before you adjust the drive belt, **unplug the power cord**.

Next, insert a standard screwdriver under the Right Shield Ring (19) in the location shown by the arrow, and gently pry the Right Shield Ring off the Right Shield (12).

See the inset drawing at the left. Tighten the Idler Adjustment Screw (39) slightly.

Then, plug in the power cord, and pedal the exercise bike for a moment.

Repeat these actions until the pedals no longer slip. Then, reattach the right shield ring.



EXERCISE GUIDELINES

⚠️ WARNING: Before beginning this or any exercise program, consult your physician. This is especially important for persons over age 35 or persons with pre-existing health problems.

These guidelines will help you to plan your exercise program. For detailed exercise information, obtain a reputable book or consult your physician. Remember, proper nutrition and adequate rest are essential for successful results.

EXERCISE INTENSITY

Whether your goal is to burn fat or to strengthen your cardiovascular system, exercising at the proper intensity is the key to achieving results. You can use your heart rate as a guide to find the proper intensity level. The chart below shows recommended heart rates for fat burning and aerobic exercise.

165	155	145	140	130	125	115	♥️
145	138	130	125	118	110	103	♥️
125	120	115	110	105	95	90	♥️
<hr/>							
20	30	40	50	60	70	80	

To find the proper intensity level, find your age at the bottom of the chart (ages are rounded off to the nearest ten years). The three numbers listed above your age define your “training zone.” The lowest number is the heart rate for fat burning, the middle number is the heart rate for maximum fat burning, and the highest number is the heart rate for aerobic exercise.

Burning Fat—To burn fat effectively, you must exercise at a low intensity level for a sustained period of time. During the first few minutes of exercise, your body uses carbohydrate calories for energy. Only after the first few minutes of exercise does your body begin to use stored fat calories for energy. If your goal is to burn fat, adjust the intensity of your exercise until your heart rate is near the lowest number in your training zone. For maximum fat burning, exercise with your heart rate near the middle number in your training zone.

Aerobic Exercise—If your goal is to strengthen your cardiovascular system, you must perform aerobic exercise, which is activity that requires large amounts of oxygen for prolonged periods of time. For aerobic exercise, adjust the intensity of your exercise until your heart rate is near the highest number in your training zone.

HOW TO MEASURE YOUR HEART RATE

To measure your heart rate, exercise for at least four minutes. Then, stop exercising and place two fingers on your wrist as shown. Take a six-second heartbeat count, and multiply the result by 10 to find your heart rate. For example, if your six-second heartbeat count is 14, your heart rate is 140 beats per minute.



WORKOUT GUIDELINES

Warming Up—Start with 5 to 10 minutes of stretching and light exercise. A warm-up increases your body temperature, heart rate, and circulation in preparation for exercise.

Training Zone Exercise—Exercise for 20 to 30 minutes with your heart rate in your training zone. (During the first few weeks of your exercise program, do not keep your heart rate in your training zone for longer than 20 minutes.) Breathe regularly and deeply as you exercise; never hold your breath.

Cooling Down—Finish with 5 to 10 minutes of stretching. Stretching increases the flexibility of your muscles and helps to prevent post-exercise problems.

EXERCISE FREQUENCY

To maintain or improve your condition, complete three workouts each week, with at least one day of rest between workouts. After a few months of regular exercise, you may complete up to five workouts each week, if desired. Remember, the key to success is to make exercise a regular and enjoyable part of your everyday life.

SUGGESTED STRETCHES

The correct form for several basic stretches is shown at the right. Move slowly as you stretch; never bounce.

1. Toe Touch Stretch

Stand with your knees bent slightly and slowly bend forward from your hips. Allow your back and shoulders to relax as you reach down toward your toes as far as possible. Hold for 15 counts, then relax. Repeat 3 times. Stretches: Hamstrings, back of knees and back.

2. Hamstring Stretch

Sit with one leg extended. Bring the sole of the opposite foot toward you and rest it against the inner thigh of your extended leg. Reach toward your toes as far as possible. Hold for 15 counts, then relax. Repeat 3 times for each leg. Stretches: Hamstrings, lower back and groin.

3. Calf/Achilles Stretch

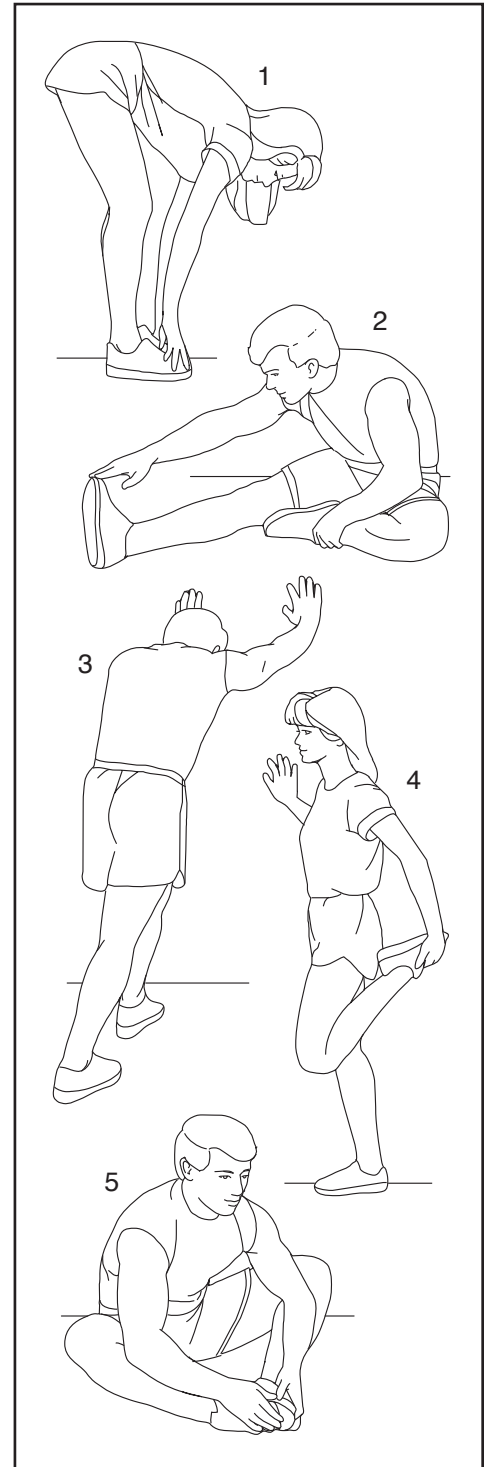
With one leg in front of the other, reach forward and place your hands against a wall. Keep your back leg straight and your back foot flat on the floor. Bend your front leg, lean forward and move your hips toward the wall. Hold for 15 counts, then relax. Repeat 3 times for each leg. To cause further stretching of the achilles tendons, bend your back leg as well. Stretches: Calves, achilles tendons and ankles.

4. Quadriceps Stretch

With one hand against a wall for balance, reach back and grasp one foot with your other hand. Bring your heel as close to your buttocks as possible. Hold for 15 counts, then relax. Repeat 3 times for each leg. Stretches: Quadriceps and hip muscles.

5. Inner Thigh Stretch

Sit with the soles of your feet together and your knees outward. Pull your feet toward your groin area as far as possible. Hold for 15 counts, then relax. Repeat 3 times. Stretches: Quadriceps and hip muscles.



PART LIST

Model No. NTEX71015C.0 R0117A

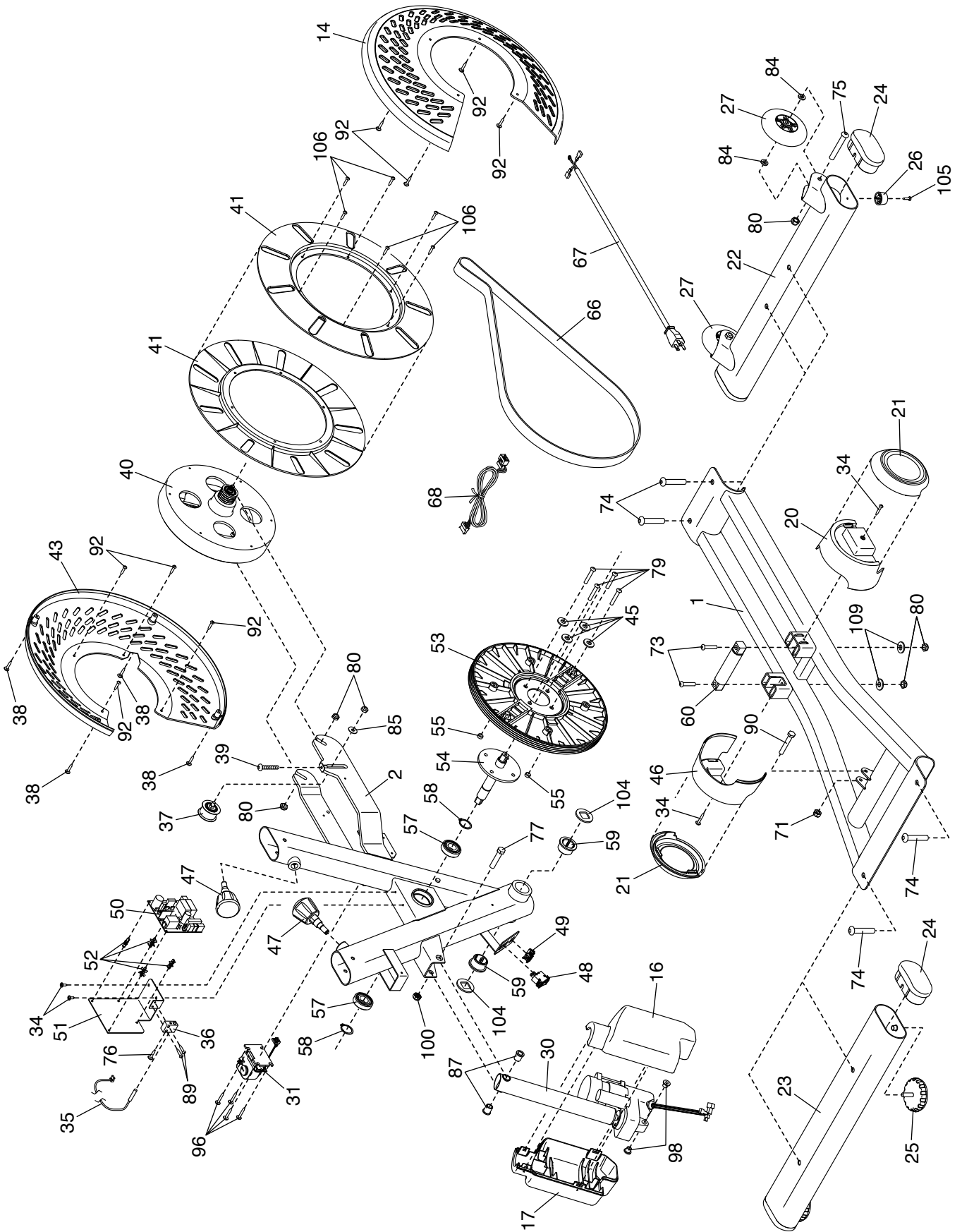
Key No.	Qty.	Description	Key No.	Qty.	Description
1	1	Base	51	1	Board Bracket
2	1	Frame	52	4	Standoff
3	1	Seat Post	53	1	Crank Pulley
4	1	Seat Carriage	54	1	Crank
5	1	Seat	55	2	Magnet
6	1	Handlebar Post	56	4	M8 x 16mm Screw
7	1	Handlebar	57	2	Bearing
8	1	Water Bottle Holder	58	2	Snap Ring
9	1	Console	59	2	Frame Bushing
10	1	Tablet Holder	60	1	Pivot Axle
11	1	Left Shield	61	1	Left Pedal/Strap
12	1	Right Shield	62	1	Right Pedal/Strap
13	2	Access Cover	63	1	Left Crank Arm
14	1	Right Mechanism Shield	64	1	Right Crank Arm
15	2	Hand Weight	65	2	Crank Arm Cap
16	1	Right Motor Cover	66	1	Drive Belt
17	1	Left Motor Cover	67	1	Power Cord
18	2	Shield Disc	68	1	Main Wire
19	1	Right Shield Ring	69	1	Left Armrest
20	1	Right Pivot Cover	70	1	Left Grip/Wire
21	2	Pivot Cap	71	1	M6 Locknut
22	1	Front Stabilizer	72	1	Right Armrest
23	1	Rear Stabilizer	73	2	M8 x 90mm Screw
24	4	Stabilizer Cap	74	4	M10 x 58mm Screw
25	2	Leveling Foot	75	2	M8 x 50mm Bolt
26	2	Foot	76	1	M5 x 16mm Screw
27	2	Wheel	77	1	M10 x 62mm Bolt
28	2	Seat Carriage Cap	78	2	5/16" x 19mm Flange Screw
29	1	Seat Knob	79	4	M8 x 12mm Screw
30	1	Lift Motor	80	7	M8 Locknut
31	1	Resistance Motor	81	1	Right Grip/Wire
32	1	Wire Cover	82	4	#8 x 12mm Screw
33	1	Console Bracket	83	1	Hand Weight Rest
34	17	M4 x 16mm Screw	84	4	Wheel Spacer
35	1	Reed Switch/Wire	85	1	M8 Washer
36	1	Clamp	86	2	#8 x 8mm Screw
37	1	Idler Pulley	87	2	Large Motor Bushing
38	4	M4 x 25mm Screw	88	4	M4 x 50mm Screw
39	1	Idler Adjustment Screw	89	2	M4 x 19mm Screw
40	1	Eddy Mechanism	90	1	M6 x 41mm Screw
41	2	Mechanism Ring	91	2	M4 x 8mm Screw
42	2	Post Bushing	92	12	M4 x 10mm Screw
43	1	Left Mechanism Shield	93	1	M4 x 12mm Screw
44	1	Left Shield Ring	94	4	M4 x 38mm Screw
45	4	M8 Split Washer	95	1	Handlebar Knob
46	1	Left Pivot Cover	96	4	M4 x 12mm Flange Screw
47	2	Post Knob	97	1	Brake Pad/Locks
48	1	Power Switch	98	2	Small Motor Bushing
49	1	Grommet	99	1	Handlebar Carriage
50	1	Control Board	100	1	M10 Locknut

Key No.	Qty.	Description	Key No.	Qty.	Description
101	4	M4 x 10mm Flange Screw	108	1	M4 x 45mm Screw
102	1	Handlebar Carriage Cap	109	2	M8 x 3mm Washer
103	4	M6 x 20mm Screw	110	1	M4 x 12mm Ground Screw
104	2	38mm Washer	111	1	Ground Wire
105	2	M4 x 16mm Flange Screw	*	–	Assembly Tool
106	6	#8 x 16mm Screw	*	–	User's Manual
107	3	M6 x 16mm Screw			

Note: Specifications are subject to change without notice. For information about ordering replacement parts, see the back cover of this manual. *These parts are not illustrated.

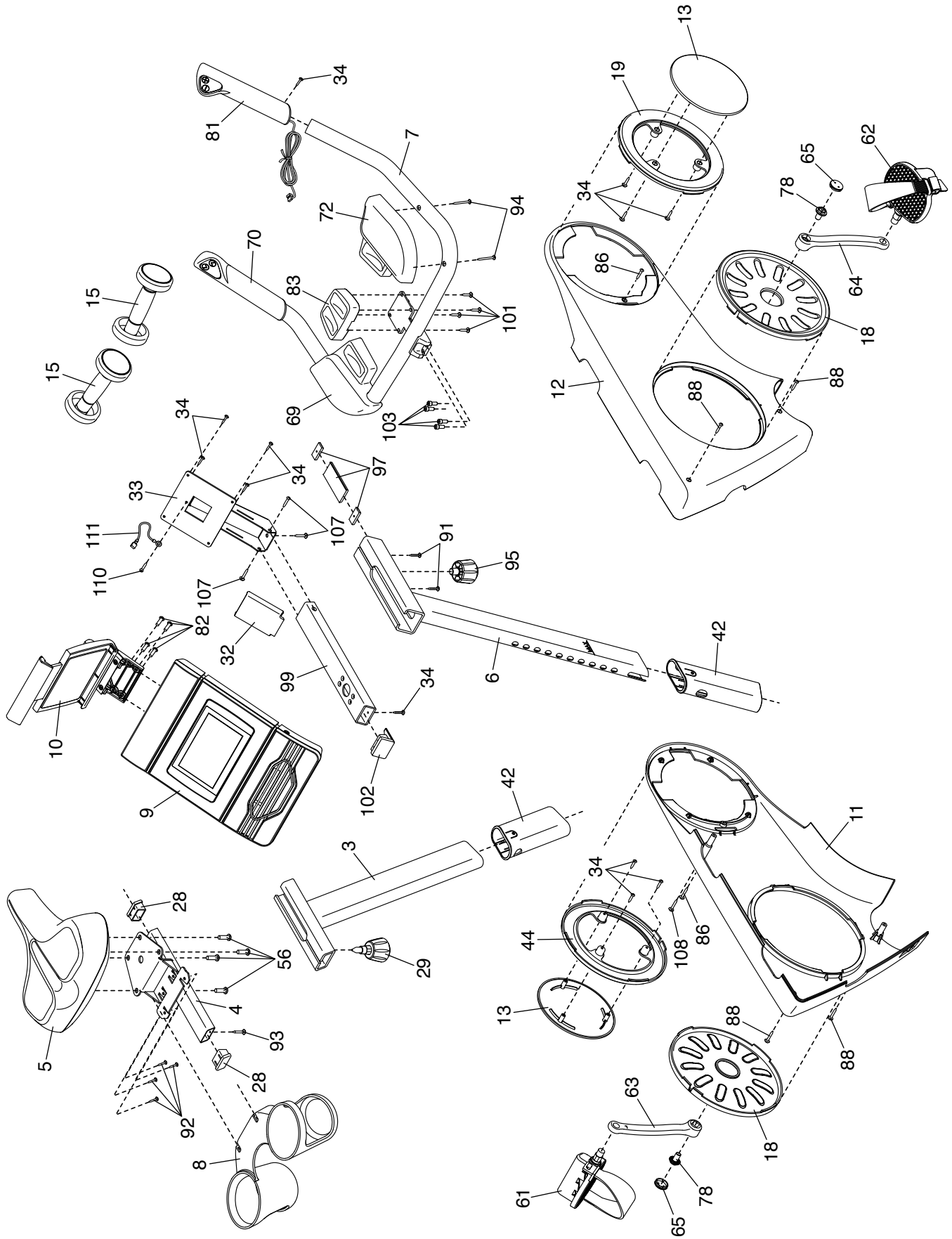
EXPLODED DRAWING A

Model No. NTEX71015C.0 R0117A



EXPLODED DRAWING B

Model No. NTEX71015C.0 R0117A



ORDERING REPLACEMENT PARTS

To order replacement parts, please see the front cover of this manual. To help us assist you, be prepared to provide the following information when contacting us:

- the model number and serial number of the product (see the front cover of this manual)
- the name of the product (see the front cover of this manual)
- the key number and description of the replacement part(s) (see the PART LIST and the EXPLODED DRAWING near the end of this manual)

LIMITED WARRANTY

IMPORTANT: To protect your fitness equipment with an extended service plan, see page 5.

ICON of Canada, Inc. (ICON) warrants this product to be free from defects in workmanship and material, under normal use and service conditions. The frame is warranted for the lifetime of the original purchaser (customer). Parts are warranted for three (3) years from the date of purchase. Labor is warranted for one (1) year from the date of purchase.

This warranty extends only to the original purchaser (customer) and is not transferrable. ICON's obligation under this warranty is limited to repairing or replacing, at ICON's option, the product through one of its authorized service providers. All repairs for which warranty claims are made must be preauthorized by ICON. If replacement parts are shipped while the product is under warranty, the customer will be responsible for a minimal handling charge. For in-home service, the customer may be responsible for a minimal trip charge. This warranty does not extend to freight damage to the product. This warranty will automatically be voided by the following conditions: (1) if the product is used as a store display model, (2) if all instructions and warnings in this manual are not followed, (3) if the product is abused or improperly or abnormally used, or (4) if the product is used for commercial or rental purposes. No other warranty beyond that specifically set forth above is authorized by ICON.

ICON is not responsible or liable for the following damages: (1) indirect, special, or consequential damages arising out of or in connection with the use or performance of the product; (2) damages with respect to any economic loss, loss of property, loss of revenues or profits, loss of enjoyment or use, or costs of removal or installation; or (3) other consequential damages of any kind. Some provinces do not allow the exclusion or limitation of incidental or consequential damages. Accordingly, the above limitation may not apply to the customer.

The warranty extended hereunder is in lieu of any and all other warranties, and any implied warranties of merchantability or fitness for a particular purpose are limited in their scope and duration to the terms set forth herein. Some provinces do not allow limitations on how long an implied warranty lasts. Accordingly, the above limitation may not apply to the customer. This warranty provides specific legal rights; the customer may have other rights that vary from province to province.

For warranty service, please call the telephone number on the front cover of this manual. Please be prepared to provide the model number and serial number of the product (see the front cover of this manual).

ICON of Canada, Inc., 900 de l'Industrie, St. Jérôme, QC J7Y 4B8