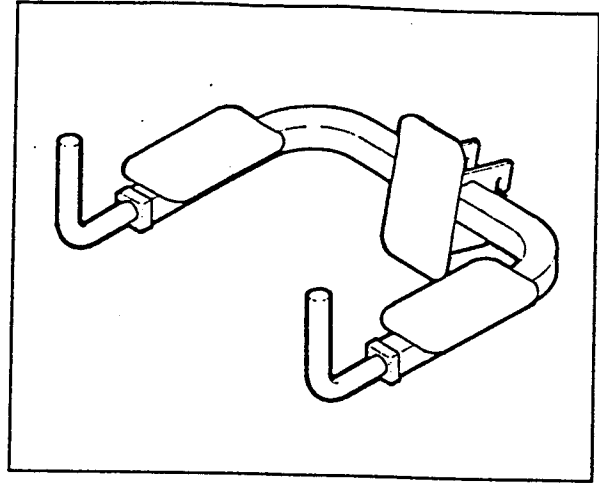


PRO·FORM®

Model No. PF200210

CONNEXION VKR™

Congratulations for purchasing the CONNEXION VKR for your system. Please read these instructions carefully before assembling the CONNEXION VKR. If you have additional questions, please call our Customer Service Department toll-free at 1-800-999-3756, Monday through Friday, 6 a.m. until 6 p.m. Mountain Time (excluding holidays). To help us assist you, please mention the product model number (PF200210) when calling.

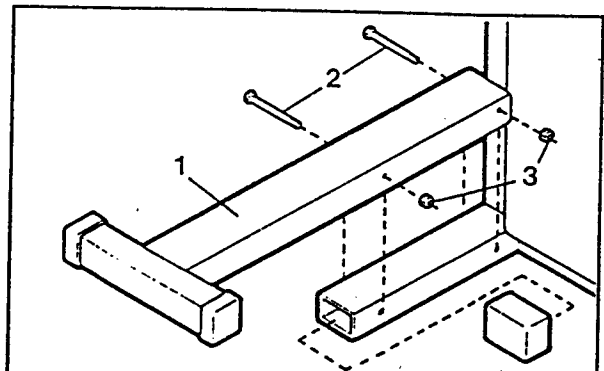


ASSEMBLY

Two persons are recommended in order to assemble the CONNEXION VKR. Remove all parts from the packing carton. Make sure that all parts are included before disposing of the packing materials. Assembly can be completed using two adjustable wrenches (not included).

Note: The CONNEXION VKR is designed to fit on a variety of systems. Your system may differ slightly from the system shown in the drawings below.

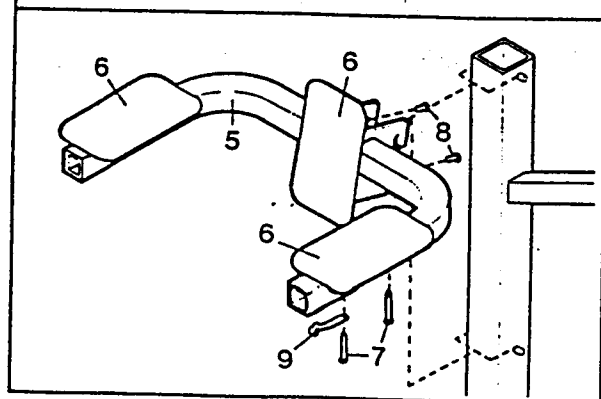
1. The CONNEXION VKR can be attached to either the right or left sides of your system. Remove the lower frame cap from the frame, on the side where you plan to attach the CONNEXION VKR. Slide the Extension (1) onto the frame. Align the holes in the Extension with the holes in the frame, and insert two Bolts (2) through the Extension and frame. It may be necessary to tilt the system slightly in order to align the holes. Tighten two Locknuts (3) onto the Bolts.



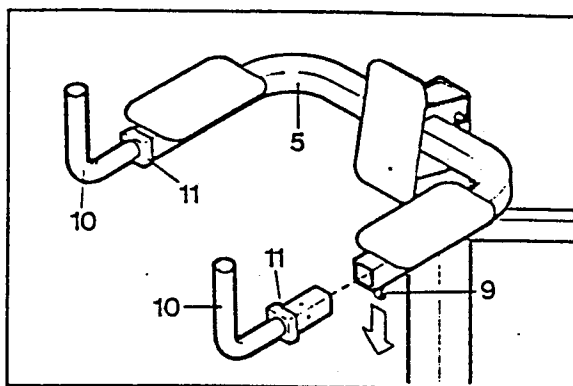
2. Attach a VKR Pad (6) to the center of the VKR Frame (5) with the two Short VKR Bolts (8).

Attach a VKR Pad (6) and a Locking Spring (9) to each side of the VKR Frame (5) with two Long VKR Bolts (7). Make sure the Locking Springs are turned as shown.

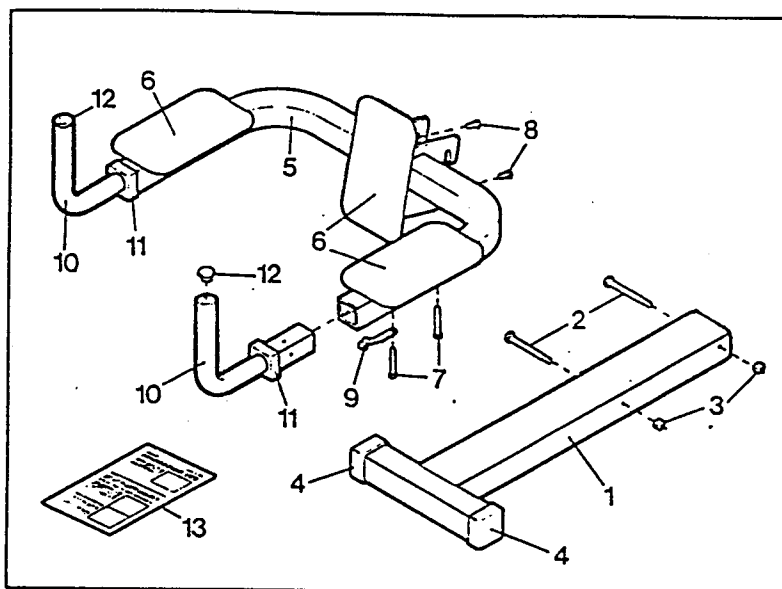
Hook the VKR Frame (5) onto either the upper or lower pins on the frame. Note: If your system has side shields covering the pins, the VKR Frame can be hooked onto the pins through slots in the side shields.



3. Pull down the Locking Springs (9), and insert the VKR Handles (10) into the ends of the VKR Frame (5). The VKR Handles can be inserted in any of four positions. Slide the Collars (11) onto the VKR Handles.



EXPLODED DRAWING AND PART LIST - Model No. PF200210



Key No.	Qty.	Description
1	1	Extension
2	2	Bolt
3	2	Nut
4	1	Extension Endcap
5	1	VKR Frame
6	3	VKR Pad
7	4	Long VKR Bolt
8	2	Short VKR Bolt
9	2	Locking Spring
10	2	VKR Handle
11	2	VKR Collar
12	2	Handle Endcap
13	1	Owner's Manual

ORDERING REPLACEMENT PARTS

To order replacement parts, call our Customer Service Department toll-free at 1-800-999-3756, Monday - Friday, 6 a.m. - 6 p.m. Mountain Time (excluding holidays). When ordering parts, please give the following information:

1. The MODEL NUMBER of the product (PF200210).
2. The NAME of the product (CONNEXION BODY LIFT).
3. The KEY NUMBER of the part(s) from the Part List.
4. The DESCRIPTION of the part(s) from the Part List.