

# PRO-FORM<sup>®</sup>

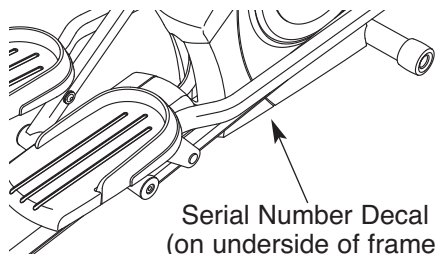
## 790 E

[www.proform.com](http://www.proform.com)

Model No. PFEL07909.2

Serial No. \_\_\_\_\_

Write the serial number in the space above for reference.



## USER'S MANUAL

### QUESTIONS?

If you have questions, or if parts are damaged or missing, **DO NOT CONTACT THE STORE**; please contact Customer Care.

**IMPORTANT:** Please register this product (see the limited warranty on the back cover of this manual) before contacting Customer Care.

CALL TOLL-FREE:

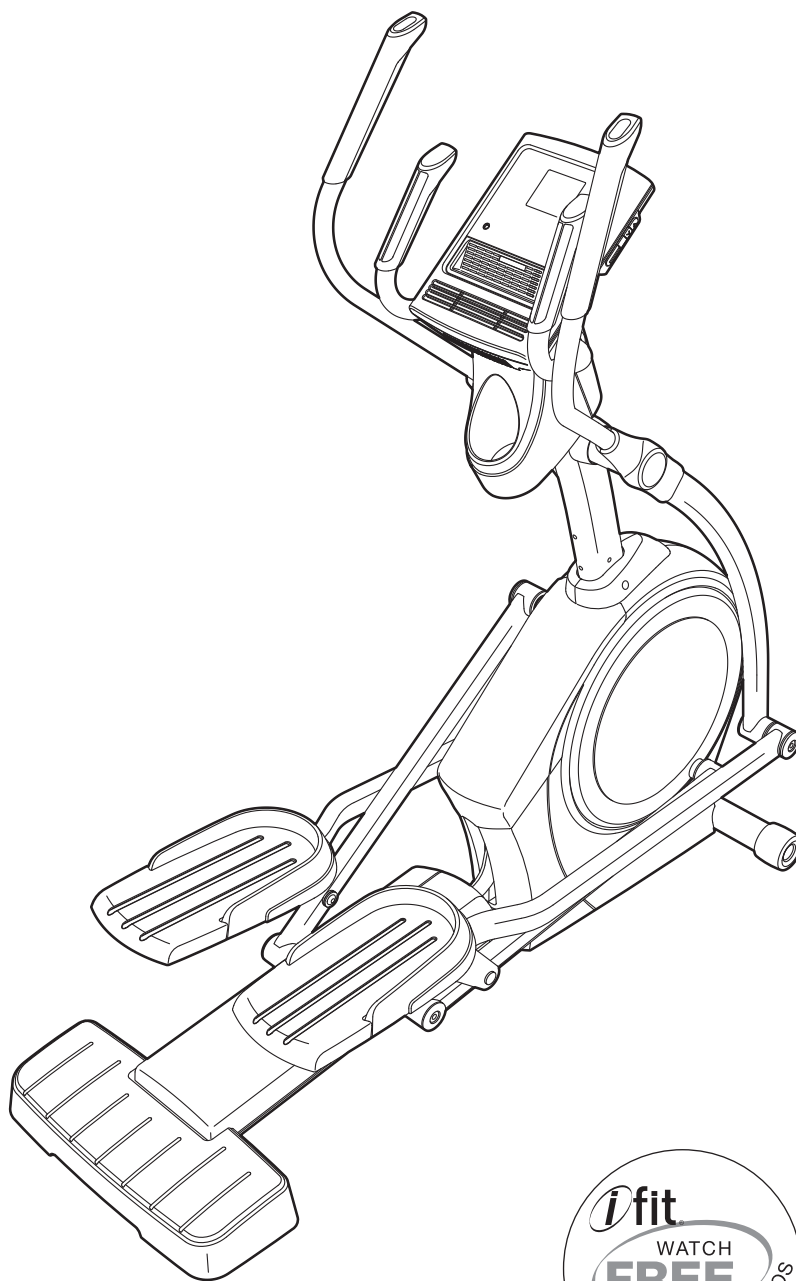
**1-888-533-1333**

Mon.–Fri. 6 a.m.–6 p.m. MT

Sat. 8 a.m.–4 p.m. MT

ON THE WEB:

[www.proformservice.com](http://www.proformservice.com)



### CAUTION

Read all precautions and instructions in this manual before using this equipment. Keep this manual for future reference.

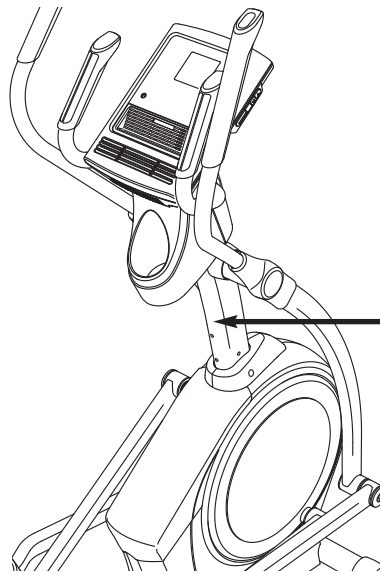


# TABLE OF CONTENTS

WARNING DECAL PLACEMENT .....	.2
IMPORTANT PRECAUTIONS .....	.3
BEFORE YOU BEGIN .....	.4
ASSEMBLY .....	.5
HOW TO USE THE ELLIPTICAL .....	.13
MAINTENANCE AND TROUBLESHOOTING .....	.20
EXERCISE GUIDELINES .....	.22
PART LIST .....	.23
EXPLODED DRAWING .....	.25
ORDERING REPLACEMENT PARTS .....	.Back Cover
LIMITED WARRANTY .....	.Back Cover


## WARNING DECAL PLACEMENT

This drawing shows the location(s) of the warning decal(s). **If a decal is missing or illegible, see the front cover of this manual and request a free replacement decal. Apply the decal in the location shown.** Note: The decal(s) may not be shown at actual size.



**WARNING**

- Misuse of this machine may result in serious injury.
- Read user's manual prior to use and follow all warnings and instructions.
- Do not allow children on or around machine.
- Pedals continue to spin when you stop pedaling.
- Spinning pedals can cause injury.
- Reduce pedal speed in a controlled manner.
- User weight must not exceed 325 pounds.
- Replace label if damaged, illegible, or removed.



# IMPORTANT PRECAUTIONS

**⚠️ WARNING:** To reduce the risk of serious injury, read all important precautions and instructions in this manual and all warnings on your elliptical before using your elliptical. ICON assumes no responsibility for personal injury or property damage sustained by or through the use of this product.

1. Before beginning any exercise program, consult your physician. This is especially important for persons over age 35 or persons with pre-existing health problems.
2. Use the elliptical only as described in this manual.
3. It is the responsibility of the owner to ensure that all users of the elliptical are adequately informed of all precautions.
4. The elliptical is intended for home use only. Do not use the elliptical in a commercial, rental, or institutional setting.
5. Keep the elliptical indoors, away from moisture and dust. Do not put the elliptical in a garage or covered patio, or near water.
6. Place the elliptical on a level surface, with at least 3 ft. (0.9 m) of clearance in the front and rear of the elliptical and 2 ft. (0.6 m) on each side. To protect the floor or carpet from damage, place a mat under the elliptical.
7. Inspect and properly tighten all parts regularly. Replace any worn parts immediately.
8. Keep children under age 12 and pets away from the elliptical at all times.
9. The elliptical should not be used by persons weighing more than 325 lbs. (147 kg).
10. Wear appropriate clothes while exercising; do not wear loose clothes that could become caught on the elliptical. Always wear athletic shoes for foot protection while exercising.
11. Hold the handlebars or the upper body arms when mounting, dismounting, or using the elliptical.
12. The pulse sensor is not a medical device. Various factors may affect the accuracy of heart rate readings. The pulse sensor is intended only as an exercise aid in determining heart rate trends in general.
13. The elliptical does not have a freewheel; the pedals will continue to move until the flywheel stops. Reduce your pedaling speed in a controlled way.
14. Keep your back straight while using the elliptical; do not arch your back.
15. Over exercising may result in serious injury or death. If you feel faint or if you experience pain while exercising, stop immediately and cool down.

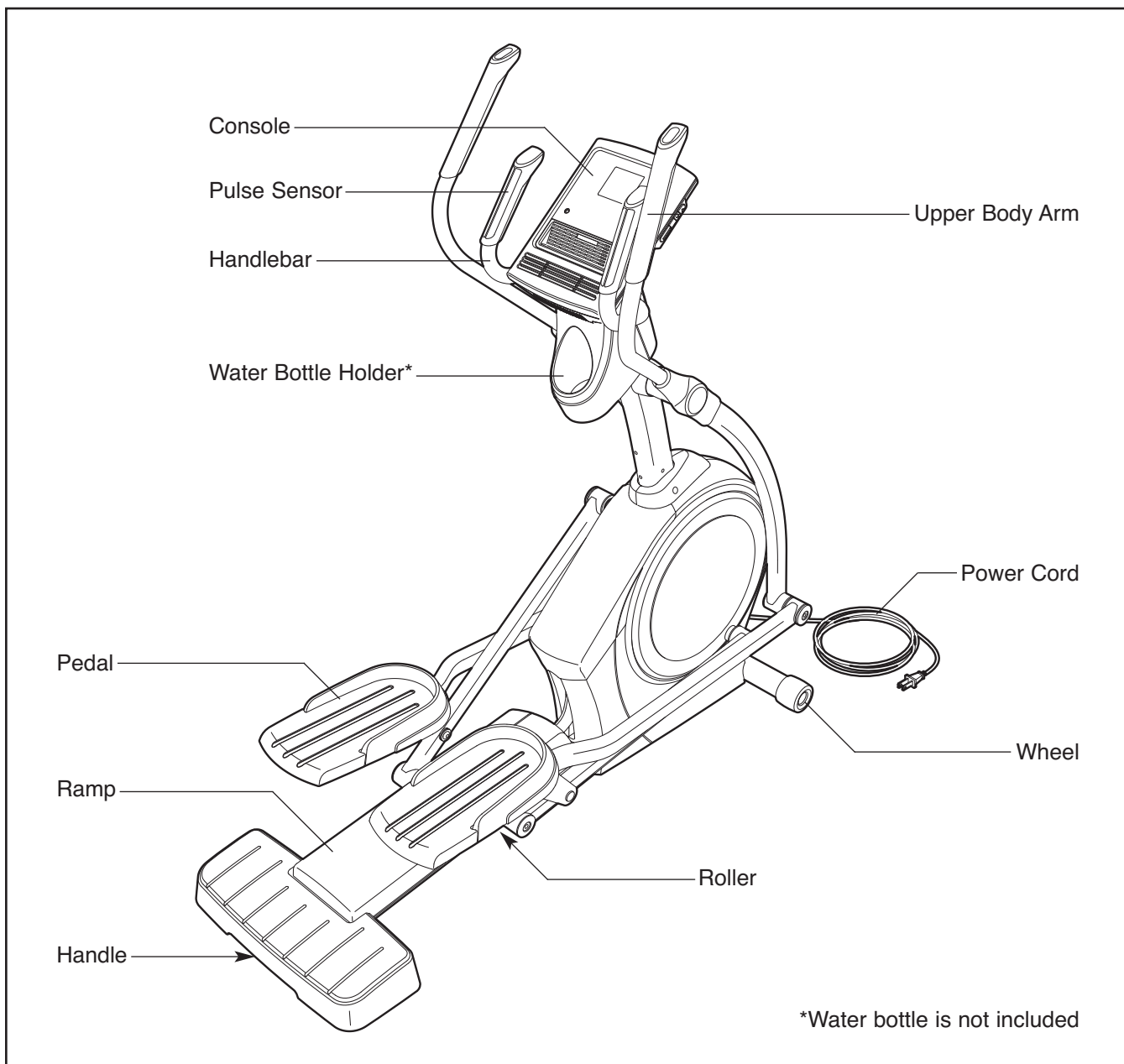
# BEFORE YOU BEGIN

Thank you for selecting the revolutionary PROFORM® 790 E elliptical. The 790 E elliptical provides an impressive selection of features designed to make your workouts at home more effective and enjoyable.

**For your benefit, read this manual carefully before you use the elliptical.** If you have questions after reading this manual, please see the front cover of this

manual. To help us assist you, note the product model number and serial number before contacting us. The model number and the location of the serial number decal are shown on the front cover of this manual.



Before reading further, please familiarize yourself with the parts that are labeled in the drawing below.



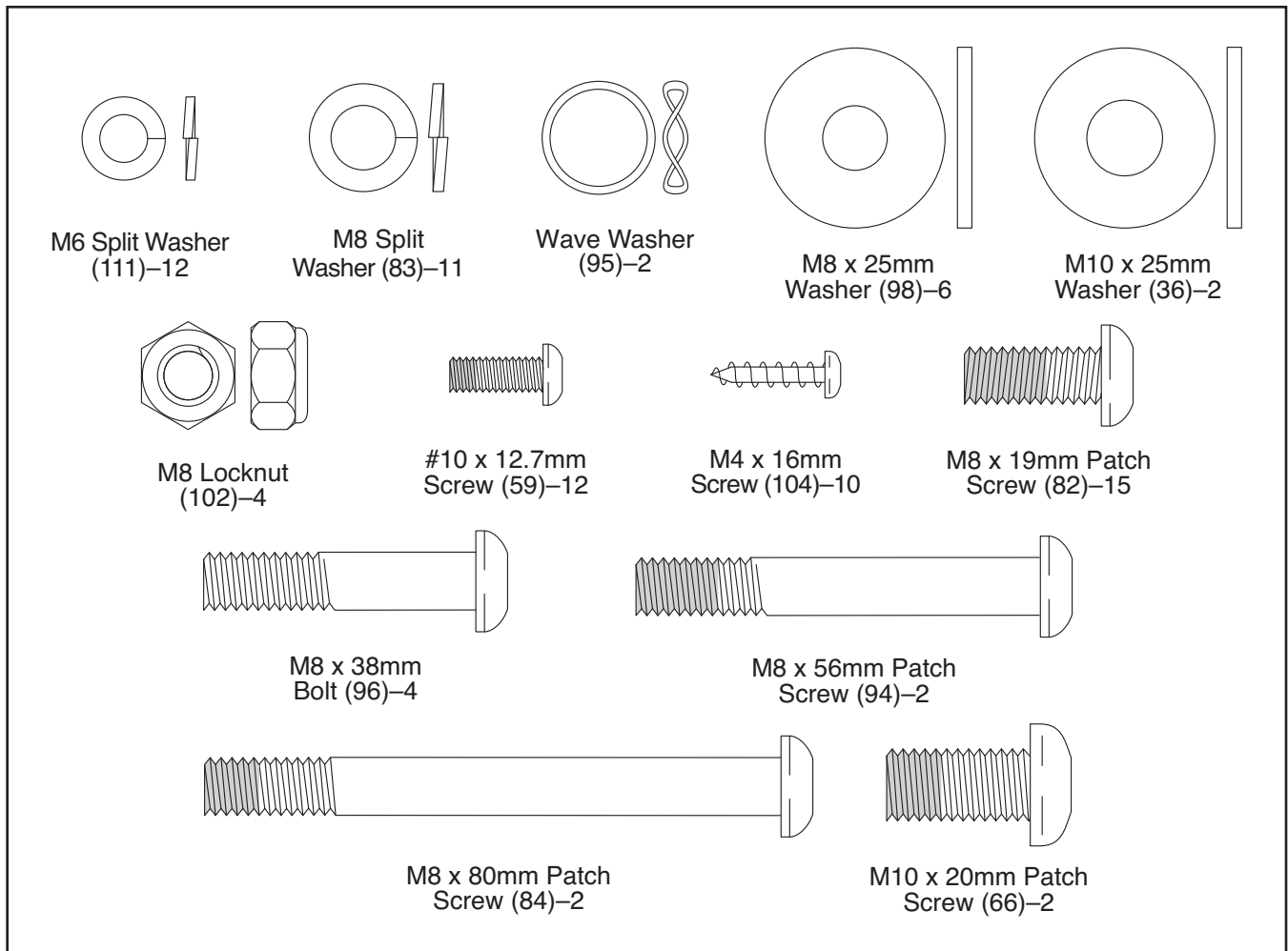
# ASSEMBLY

To hire an authorized service technician to assemble the elliptical, call 1-800-445-2480.

**Assembly requires two persons.** Place all parts of the elliptical in a cleared area and remove the packing materials. Do not dispose of the packing materials until assembly is completed.

In addition to the included tool(s), assembly requires a Phillips screwdriver , two adjustable wrenches , and a rubber mallet .

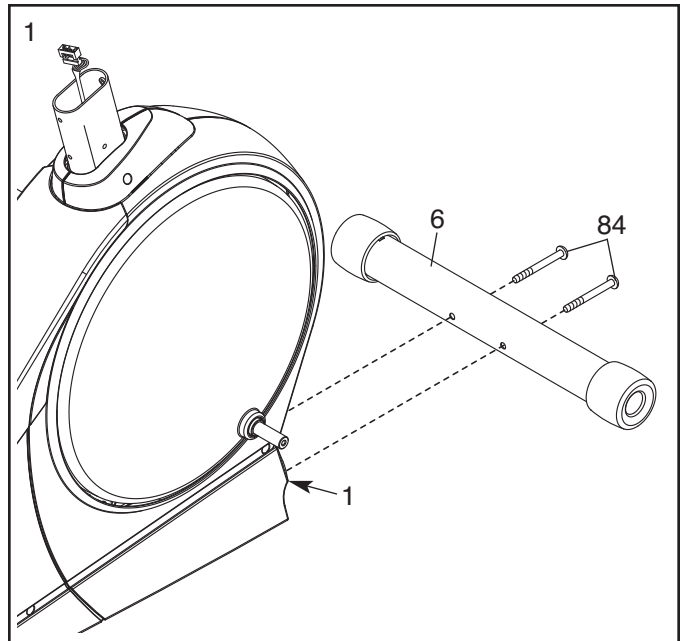
See the drawings below to identify the small parts needed for assembly. The number in parentheses below each drawing is the key number of the part, from the PART LIST near the end of this manual. The number following the key number is the quantity needed for assembly. **Note: If a part is not in the hardware kit, check to see if it has been preassembled. To avoid damaging parts, do not use power tools for assembly.**



1.

To make assembly easier, read the information on page 5 before you begin.

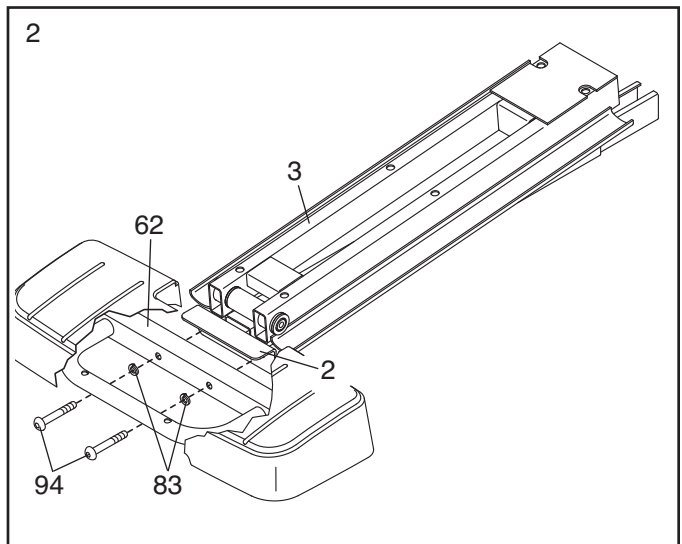
Attach the Front Stabilizer (6) to the Front Frame (1) with two M8 x 80mm Patch Screws (84).



2. Orient the Rear Stabilizer (62) and the Rear Frame (2) as shown.

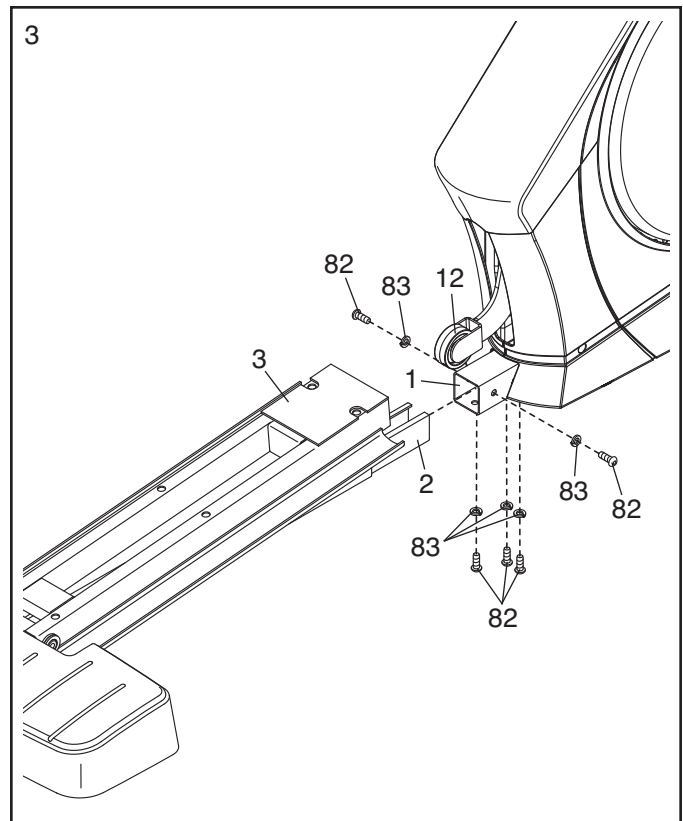
**Tip: If the Ramp Cover (see step 15) is attached to the Ramp (3), remove the Ramp Cover.**

Attach the Rear Stabilizer (62) to the Rear Frame (2) with two M8 x 56mm Patch Screws (94) and two M8 Split Washers (83).



3. Insert the Rear Frame (2) into the Front Frame (1); **make sure that the Ramp (3) is on the Lift Roller (12).**

Attach the Rear Frame (2) with five M8 x 19mm Patch Screws (82) and five M8 Split Washers (83).

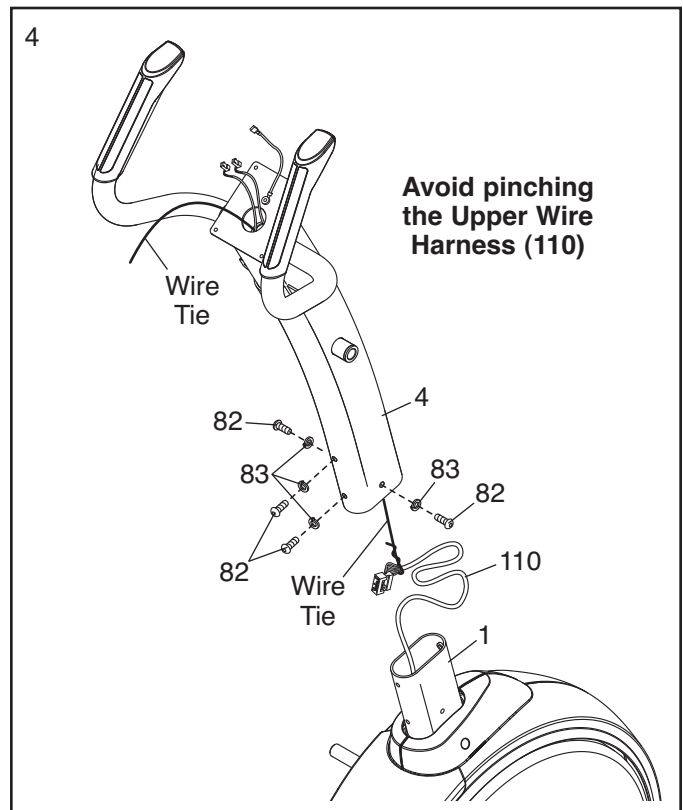


4. Have a second person orient the Upright (4) as shown and hold it near the Front Frame (1).

Locate the wire tie in the Upright (4). Tie the lower end of the wire tie to the Upper Wire Harness (110). Next, pull the upper end of the wire tie until the Upper Wire Harness is routed completely through the Upright. Then, untie and discard the wire tie.

**Tip: To prevent the Upper Wire Harness (110) from falling into the Upright (4), secure the Upper Wire Harness with a rubber band or tape.**

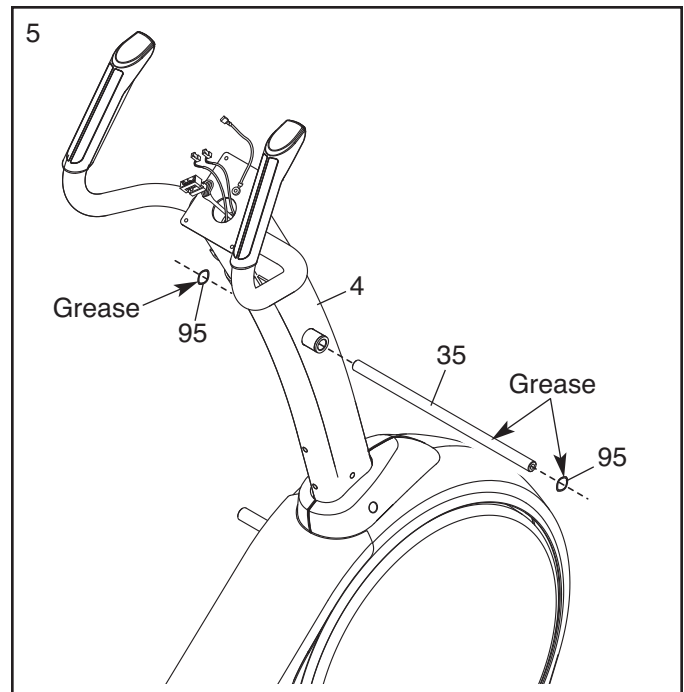
**Tip: Avoid pinching the Upper Wire Harness (110).** Slide the Upright (4) onto the Front Frame (1). Attach the Upright with four M8 x 19mm Patch Screws (82) and four M8 Split Washers (83); **do not tighten the Patch Screws yet.**



5. Apply a generous amount of grease to the Pivot Axle (35) and to two Wave Washers (95).

Insert the Pivot Axle (35) through the Upright (4) and then center it.

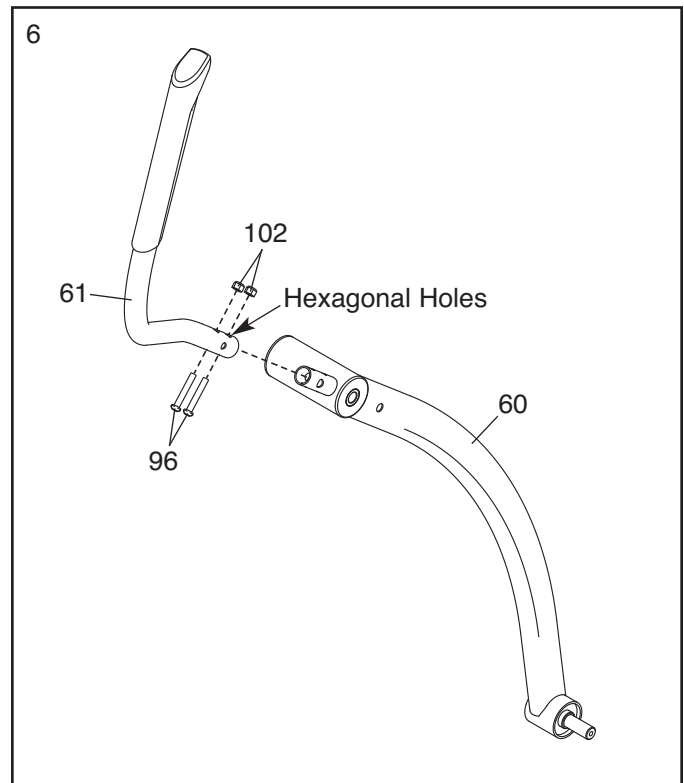
Slide a Wave Washer (95) onto each end of the Pivot Axle (35).



6. Identify the Right Upper Body Arm (61) and the Right Upper Body Leg (60), which are marked with "Right" stickers, and orient them as shown. **Make sure that the hexagonal holes are in the position shown.**

Slide the Right Upper Body Arm (61) onto the Right Upper Body Leg (60). Attach the Right Upper Body Arm with two M8 x 38mm Bolts (96) and two M8 Locknuts (102). **Make sure that the Locknuts are in the hexagonal holes.**

**Repeat this step for the Left Upper Body Arm (not shown) and the Left Upper Body Leg (not shown).**

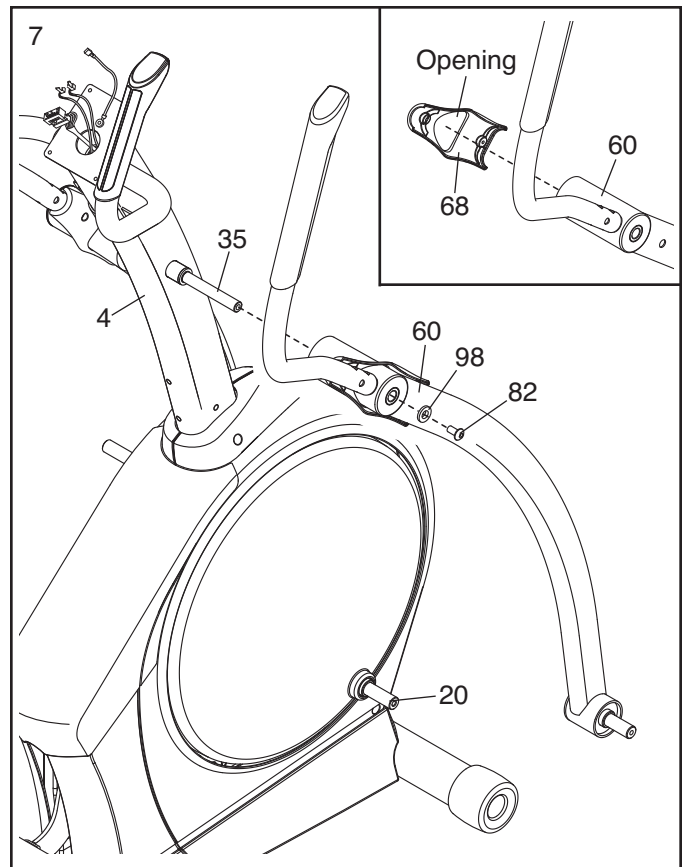


7. **See the inset drawing.** Slide an Inner Cover (68) onto the Right Upper Body Leg (60).

Next, slide the Right Upper Body Leg (60) onto the right end of the Pivot Axle (35); **make sure that the Right Upper Body Leg is in front of the right Crank Arm (20).**

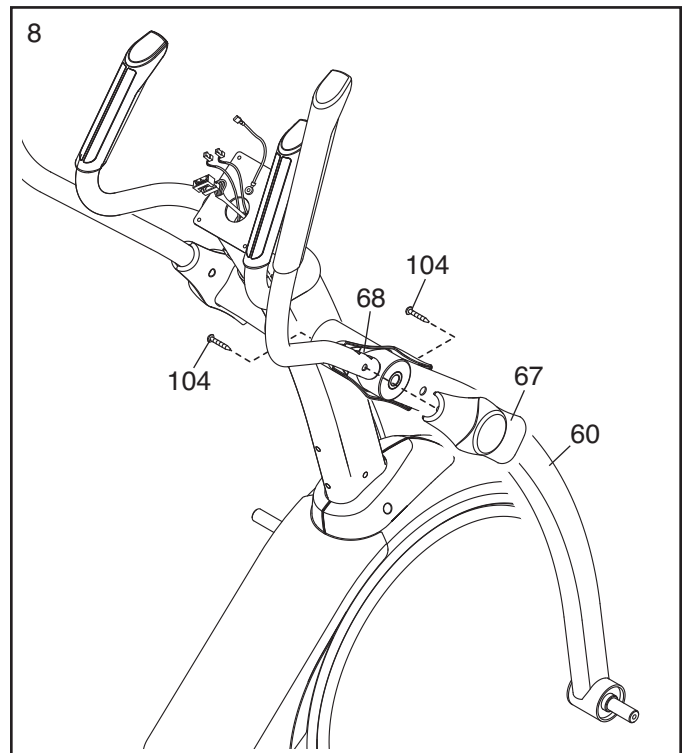
Attach the Right Upper Body Leg (60) with an M8 x 19mm Patch Screw (82) and an M8 x 25mm Washer (98).

**Repeat this step on the other side of the elliptical.**



8. Attach an Outer Cover (67) to the Inner Cover (68) on the Right Upper Body Leg (60) with two M4 x 16mm Screws (104).

**Repeat this step on the other side of the elliptical.**

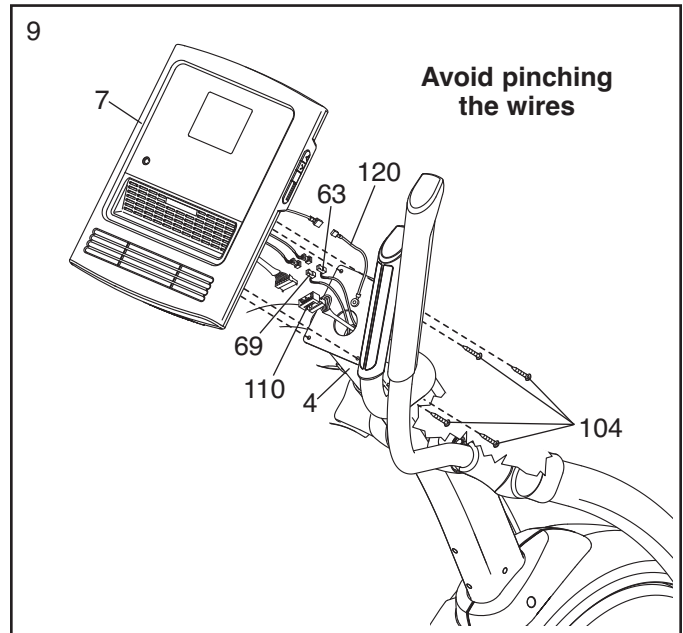


9. Have a second person hold the Console (7) near the Upright (4).

Connect the wires on the Console (7) to the Ground Wire (120), to the Pulse Wires (63, 69), and to the Upper Wire Harness (110).

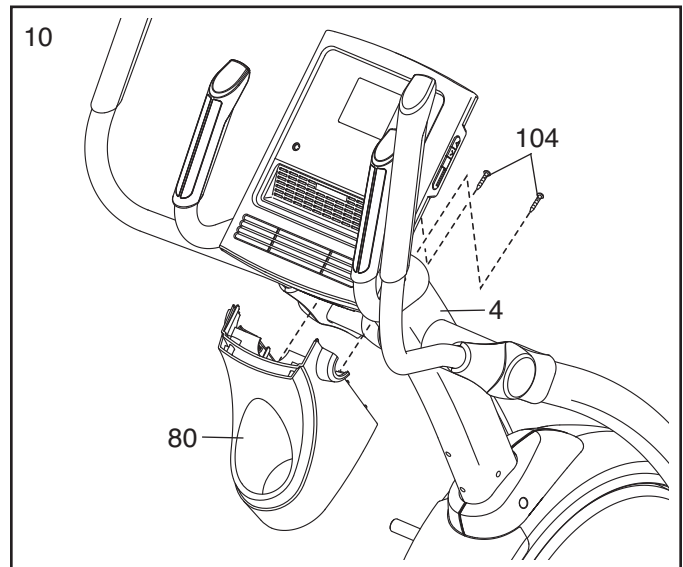
Insert the excess wires up into the Console (7) or down into the Upright (4).

**Tip: Avoid pinching the wires.** Attach the Console (7) to the Upright (4) with four M4 x 16mm Screws (104).



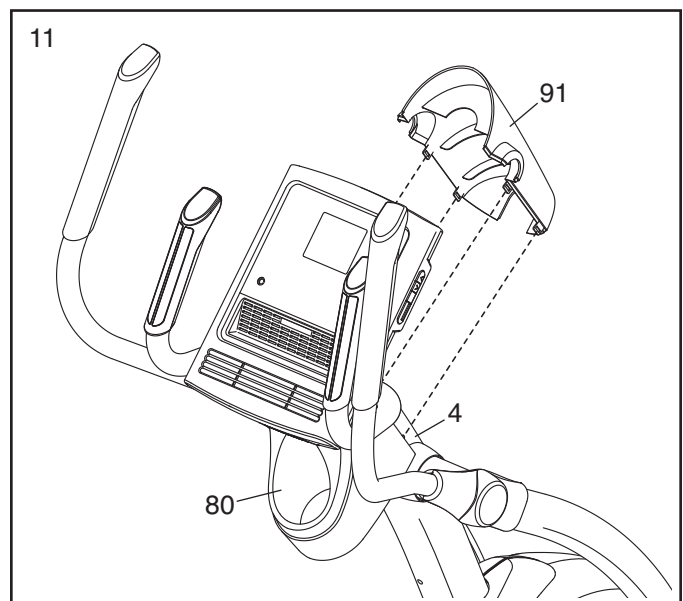
10. Orient the Rear Upright Cover (80) as shown.

Attach the Rear Upright Cover (80) to the Upright (4) with two M4 x 16mm Screws (104).



11. Orient the Front Upright Cover (91) as shown.

Attach the Front Upright Cover (91) around the Upright (4) by pressing the tabs on the Front Upright Cover into the Rear Upright Cover (80).



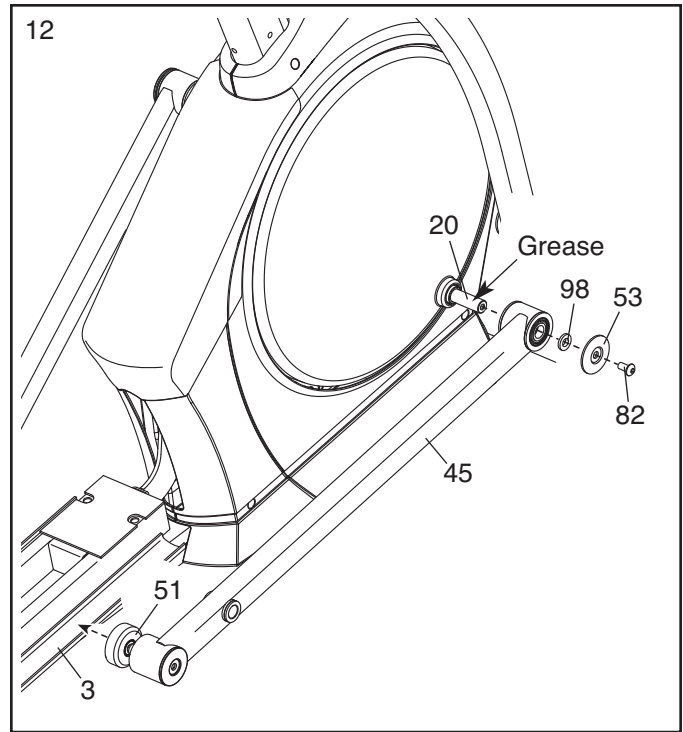
12. Apply a small amount of grease to the right Crank Arm (20).

Orient a Roller Arm (45) so that the Roller (51) is in the position shown.

Slide the Roller Arm (45) onto the right Crank Arm (20) while setting the Roller (51) on the Ramp (3).

Attach the Roller Arm (45) with an M8 x 19mm Patch Screw (82), an Axle Cover (53), and an M8 x 25mm Washer (98); **to avoid breaking the Axle Cover, do not overtighten the Patch Screw.**

**Repeat this step on the other side of the elliptical.**

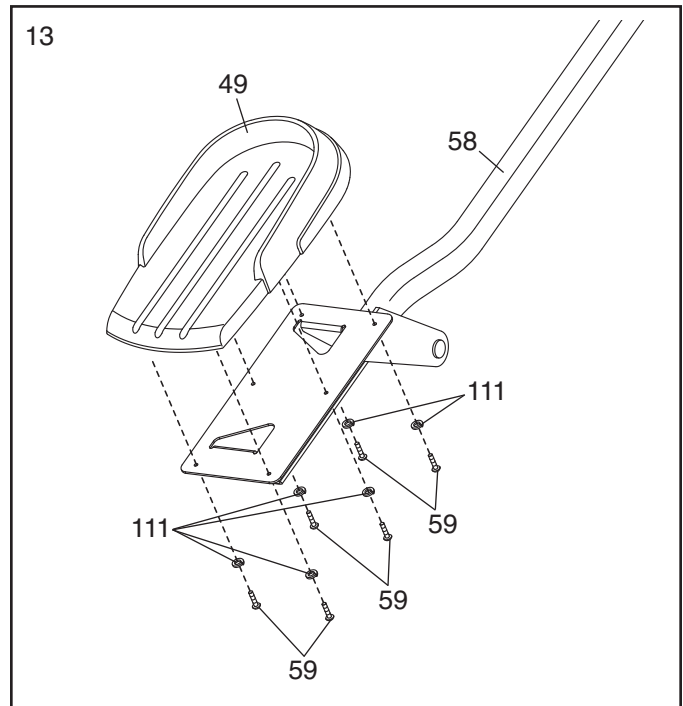


13. Identify the Right Pedal Arm (58), which is marked with a "Right" sticker, and orient it as shown.

Then, orient a Pedal (49) as shown.

Attach the Pedal (49) to the Right Pedal Arm (58) with six #10 x 12.7mm Screws (59) and six M6 Split Washers (111).

**Attach the other Pedal (not shown) to the Left Pedal Arm (not shown) in the same way.**



14. **See the upper drawing.** Apply a small amount of grease to the axle on the Right Upper Body Leg (60) and to the axle on the Right Pedal Arm (58).

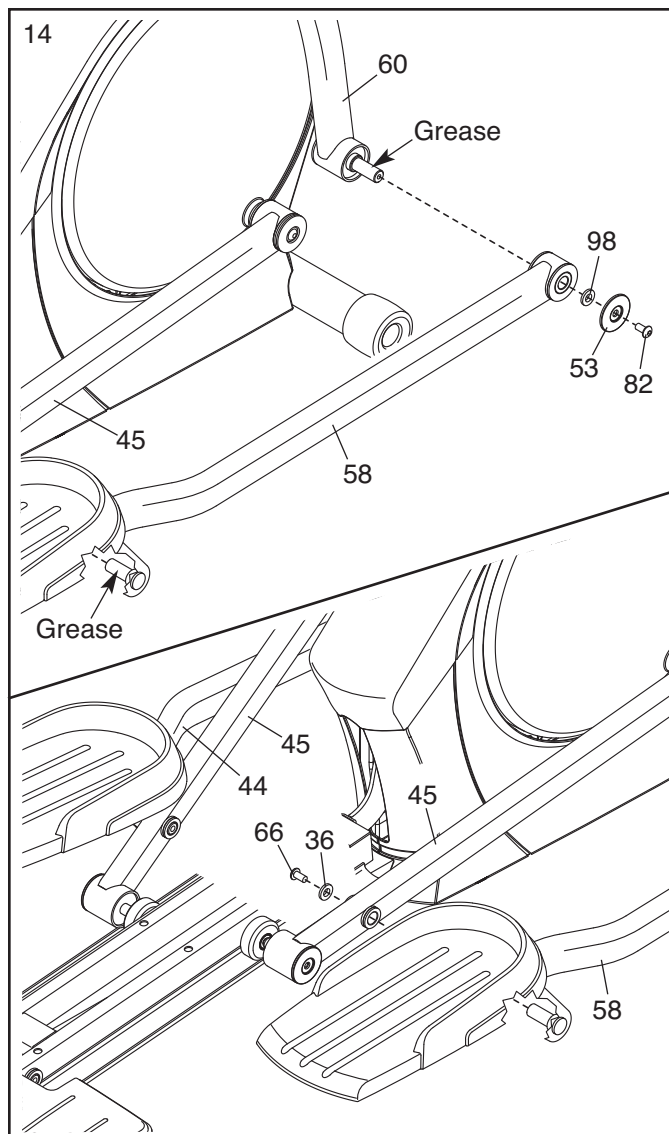
Orient the Right Pedal Arm (58) as shown. Slide the Right Pedal Arm onto the Right Upper Body Leg (60) and into the right Roller Arm (45) at the same time.

Attach the Right Pedal Arm (58) to the Right Upper Body Leg (60) with an M8 x 19mm Patch Screw (82), an Axle Cover (53), and an M8 x 25mm Washer (98); **to avoid breaking the Axle Cover, do not overtighten the Patch Screw.**

**See the lower drawing.** Attach the right Roller Arm (45) to the Right Pedal Arm (58) with an M10 x 20mm Patch Screw (66) and an M10 x 25mm Washer (36).

**Attach the Left Pedal Arm (44) to the Left Upper Body Leg (not shown) and the left Roller Arm (45) in the same way.**

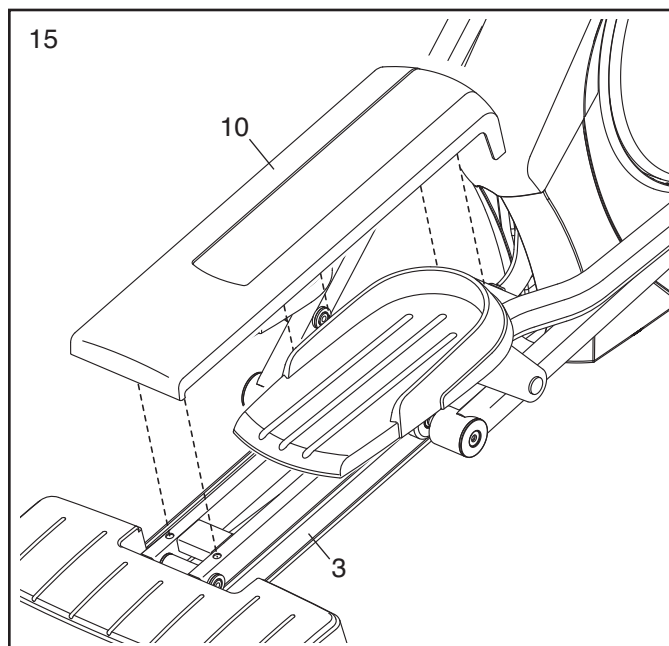
**See step 4.** Tighten the four M8 x 19mm Patch Screws (82).



15. Orient the Ramp Cover (10) as shown.

Align the mounts on the Ramp Cover (10) with the holes in the Ramp (3). Then, press the Ramp Cover (10) into the Ramp.

16. **Make sure that all parts are properly tightened before you use the elliptical.** Note: After assembly is completed, some extra parts may be left over. Place a mat beneath the elliptical to protect the floor.



# HOW TO USE THE ELLIPTICAL

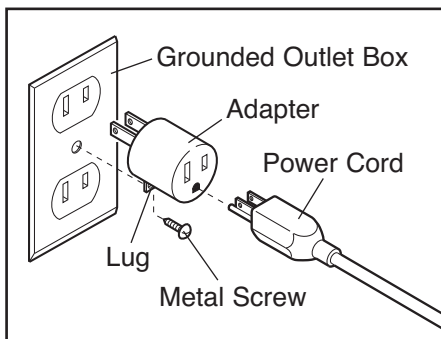
## HOW TO PLUG IN THE POWER CORD

**This product must be grounded.** If it should malfunction or break down, grounding provides a path of least resistance for electric current to reduce the risk of electric shock. This product is equipped with a cord having an equipment-grounding conductor and a grounding plug.

**Plug the power cord into an appropriate outlet that is properly installed and grounded in accordance with all local codes and ordinances. This product is for use on a nominal 120-volt circuit. IMPORTANT: The elliptical is not compatible with GFCI-equipped outlets.**

**⚠ DANGER:** Improper connection of the equipment-grounding conductor can result in an increased risk of electric shock. Check with a qualified electrician or serviceman if you are in doubt as to whether the product is properly grounded. Do not modify the plug provided with the product—if it will not fit the outlet, have a proper outlet installed by a qualified electrician.

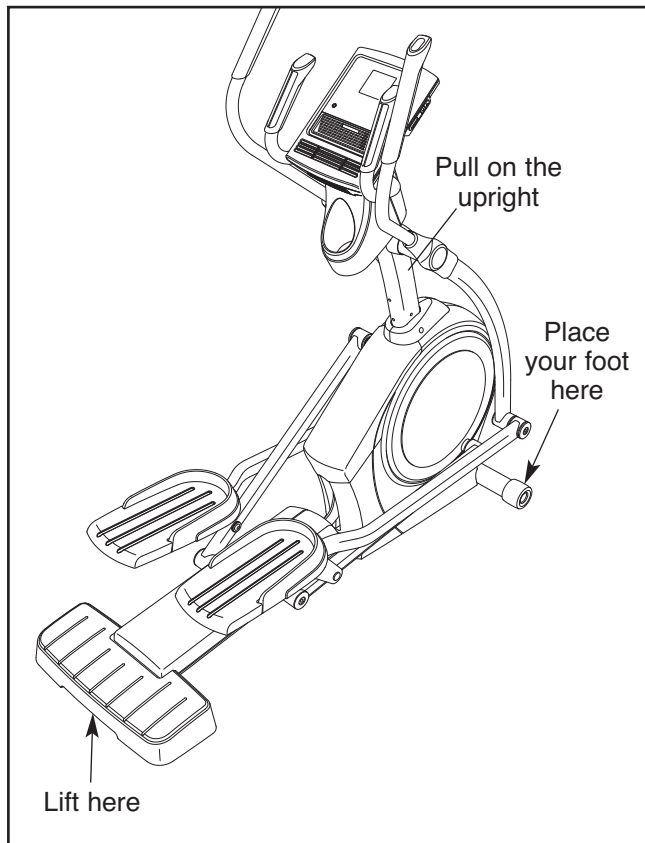
A temporary adapter may be used to connect the power cord to a 2-pole receptacle as shown at the right if a properly grounded outlet is not available. The temporary adapter should be used only until a properly grounded outlet can be installed by a qualified electrician.



The green-colored rigid ear, lug, or the like extending from the adapter must be connected to a permanent ground such as a properly grounded outlet box cover. Whenever the adapter is used, it must be held in place by a metal screw. **Some 2-pole receptacle outlet box covers are not grounded. Contact a qualified electrician to determine if the outlet box cover is grounded before using an adapter.**

## HOW TO MOVE THE ELLIPTICAL

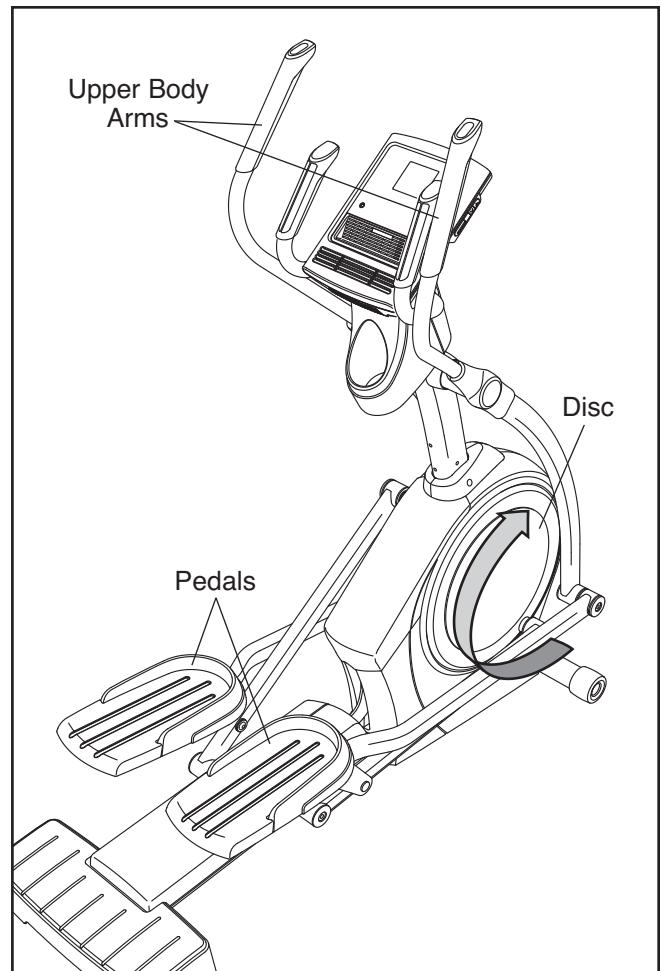
**Due to the size and weight of the elliptical exerciser, moving it requires two persons.** Stand in front of the elliptical, hold the upright, and place one foot against one of the front wheels. Pull on the upright and have a second person lift the handle at the rear until the elliptical will roll on the front wheels. Carefully move the elliptical to the desired location, and then lower it to the floor.

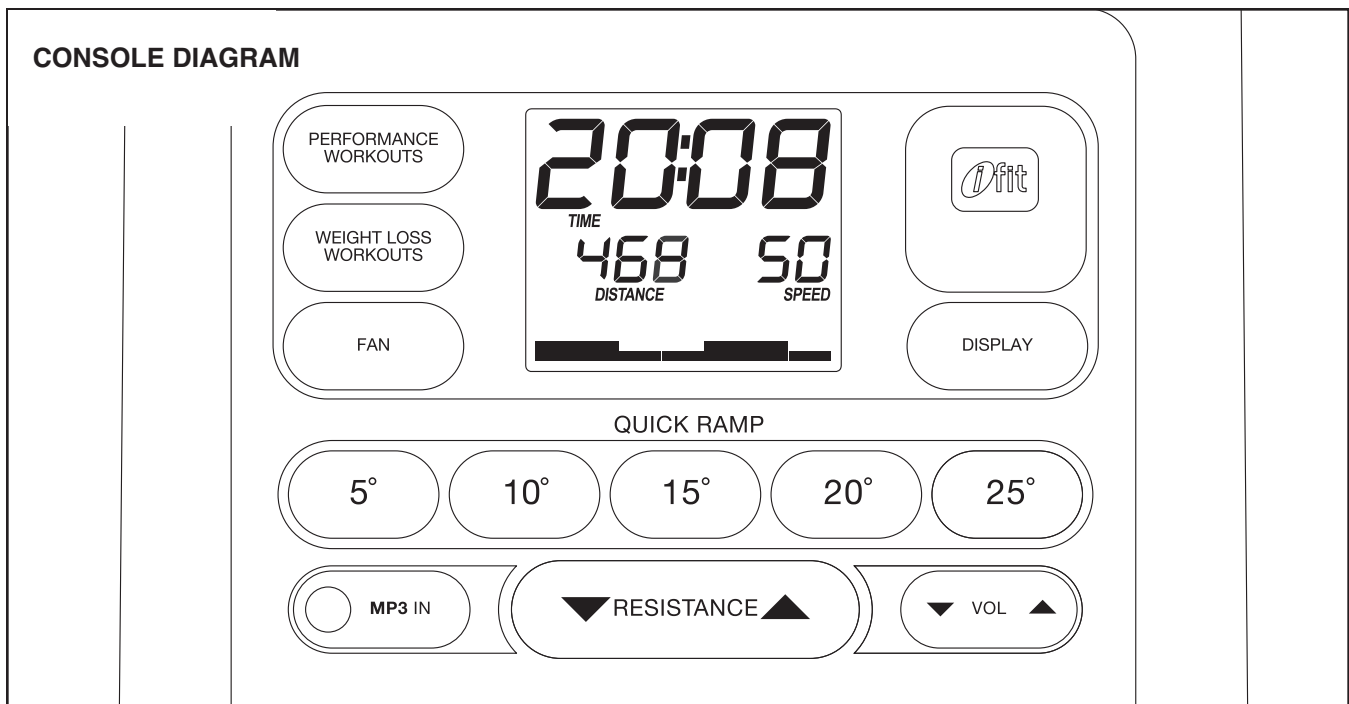


## HOW TO EXERCISE ON THE ELLIPTICAL

To mount the elliptical, hold the upper body arms and step onto the pedal that is in the lower position. Then, step onto the other pedal. Push the pedals until they begin to move with a continuous motion. **Note: The discs can turn in either direction. It is recommended that you turn the discs in the direction shown by the arrow; however, for variety, you can turn the discs in the opposite direction.**

To dismount the elliptical, wait until the pedals come to a complete stop. **Note: The elliptical does not have a free wheel; the pedals will continue to move until the flywheel stops.** When the pedals are stationary, step off the higher pedal first. Then, step off the lower pedal.





## FEATURES OF THE CONSOLE

The advanced console offers an array of features designed to make your workouts more effective and enjoyable.

When you use the manual mode of the console, you can change the resistance of the pedals and the incline of the ramp with the touch of a button. While you exercise, the console will display continuous exercise feedback. You can also measure your heart rate using the handgrip pulse sensor.

In addition, the console offers twenty-four preset workouts—six weight loss workouts and eighteen performance workouts. Each workout automatically changes the resistance of the pedals and prompts you to vary your pedaling pace as it guides you through an effective workout.

The console features the iFit interactive workout system, which enables the console to accept iFit cards containing workouts designed to help you achieve specific fitness goals.

For example, lose unwanted pounds with the 8-week Weight Loss workout. iFit workouts control the resistance of the pedals while the voice of a personal trainer coaches you through your workouts. iFit cards are available separately. **To purchase iFit cards, go to [www.iFit.com](http://www.iFit.com) or see the front cover of this manual. iFit cards are also available at select stores.**

You can even connect your MP3 player or CD player to the console sound system and listen to your favorite music or audio books while you exercise.

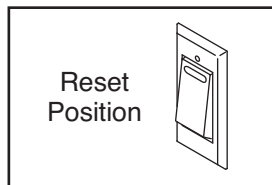
**To turn on the power**, see page 16. **To use the manual mode**, see page 16. **To use a preset workout**, see page 18. **To use an iFit workout**, see page 19. **To use the sound system**, see page 19. **To change console settings**, see page 19.

Note: If there is a sheet of clear plastic on the display, remove the plastic.

## HOW TO TURN ON THE POWER

**IMPORTANT:** If the elliptical has been exposed to cold temperatures, allow it to warm to room temperature before turning on the power. If you do not do this, you may damage the console displays or other electrical components.

Plug in the power cord (see HOW TO PLUG IN THE POWER CORD on page 13). Next, locate the power switch on the frame near the power cord. Make sure that the power switch is in the reset position.



The display will then light and the console will be ready for use.

**Note:** When you turn on the power for the first time, the ramp will calibrate automatically. The ramp will move upward and downward as it calibrates. When the ramp stops moving, the ramp is calibrated.

**IMPORTANT:** If the ramp does not calibrate automatically, see HOW TO CALIBRATE THE RAMP on page 20 and manually calibrate the ramp.

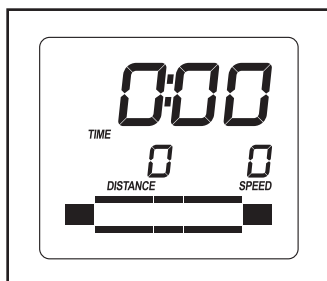
## HOW TO USE THE MANUAL MODE

1. **Begin pedaling or press any button on the console to turn on the console.**

See HOW TO TURN ON THE POWER above.

2. **Select the manual mode.**

Each time you turn on the console, the manual mode will be selected. If you have selected a workout, reselect the manual mode by pressing any of the Workouts buttons repeatedly until zeros appear in the display.



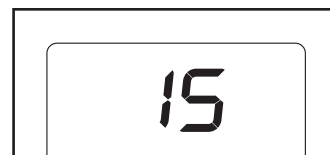
3. **Change the resistance of the pedals and the incline of the ramp as desired.**

As you pedal, change the resistance of the pedals by pressing the Resistance increase and decrease buttons.



**Note:** After you press the buttons, it will take a moment for the pedals to reach the selected resistance level.

To vary the motion of the pedals, you can change the incline of the ramp. To change the incline, press one of the numbered Quick Ramp buttons.



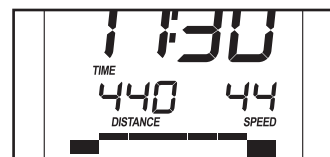
**Note:** After you press the button, it will take a moment for the ramp to reach the selected incline level.

4. **Follow your progress with the display.**

**The lower left display**—This display can show the elapsed time and the distance (total number of revolutions) that you have pedaled. **Note:** When a workout is selected, the display will show the time remaining in the workout instead of the elapsed time.



**The lower right display**—This display can show your pedaling speed (in revolutions per minute) and the approximate number of calories that you have burned.



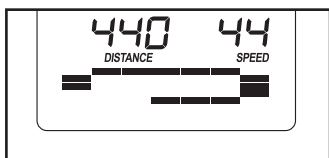
This display also shows your heart rate when you use the handgrip pulse sensor (see step 5 on page 17).

**The upper display**—This display can show the elapsed time, the distance that you have pedaled, your pedaling speed, and the approximate number of calories you have burned.



Press the Display button repeatedly until the upper display shows the information that you are most interested in viewing. Note: While information is shown in the upper display, the same information will not be shown in the lower left or lower right display.

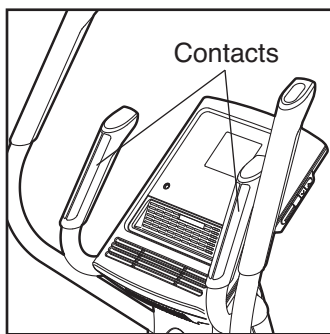
**The lower display**—This display will show a track representing 640 revolutions (1/4 mile or 400 meters). As you exercise, indicators will appear in succession around the track until the entire track appears. The track will then disappear and the indicators will again begin to appear in succession.



To change the volume level of the console, press the Vol increase and decrease buttons.

**5. Measure your heart rate if desired.**

**If there are sheets of clear plastic on the metal contacts on the handgrip pulse sensor, remove the plastic.** To measure your heart rate, hold the handgrip pulse sensor with your palms resting against the metal contacts. **Avoid moving your hands or gripping the contacts tightly.**



When your pulse is detected, a flashing heart symbol will appear in the display, and then your heart rate will



appear. For the most accurate heart rate reading, hold the contacts for at least 15 seconds. Note: If you continue to hold the handgrip pulse sensor, the display will show your heart rate for up to 30 seconds.

If the display does not show your heart rate, make sure that your hands are positioned as described. Be careful not to move your hands excessively or to squeeze the metal contacts tightly. For optimal performance, clean the metal contacts using a soft cloth; **never use alcohol, abrasives, or chemicals to clean the contacts.**

**6. Turn on the fan if desired.**

The fan has high and low speed settings. Press the Fan button repeatedly to select a fan speed or to turn off the fan.

Note: If the pedals do not move for about thirty seconds, the fan will turn off automatically.

**7. When you are finished exercising, unplug the power cord.**

If the pedals do not move for several seconds, a tone will sound and the console will pause.

If the pedals do not move for several minutes and the buttons are not pressed, the console will turn off and the display will be reset.

When you are finished exercising, switch the power switch to the off position and unplug the power cord. **IMPORTANT: If you do not do this, the electrical components on the elliptical may wear prematurely.**

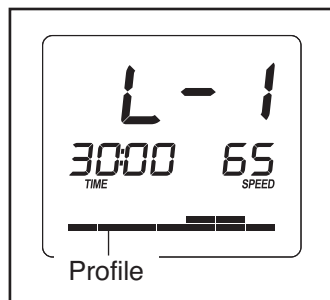
## HOW TO USE A PRESET WORKOUT

### 1. Begin pedaling or press any button on the console to turn on the console.

See HOW TO TURN ON THE POWER on page 16.

### 2. Select a preset workout.

To select a preset workout, press the Performance Workouts button or the Weight Loss Workouts button repeatedly until the name of the desired workout appears in the display.



The workout duration, the maximum speed, and a profile of the resistance levels will also appear in the display.

### 3. Begin pedaling to start the workout.

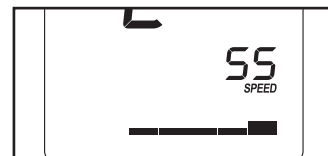
Each workout is divided into 20, 30 or 45 one-minute segments. One resistance level and one target speed is programmed for each segment. Note: The same resistance level and/or target speed may be programmed for consecutive segments.

The resistance level for the first segment will appear in the display and the target speed for the first segment will flash in the display for a few seconds.

During the workout, the workout profile will show your progress (see the drawing above). The flashing segment of the profile represents the current segment of the workout. The height of the flashing segment indicates the resistance level for the current segment.

At the end of each segment of the workout, a series of tones will sound and the next segment of the profile will begin to flash. If a different resistance level and/or target speed is programmed for the next segment, the resistance level and/or target speed will appear in the display for a few seconds to alert you. The resistance of the pedals will then change.

As you exercise, keep your pedaling speed near the target speed for the current segment. At the beginning of each segment, the target speed for the segment will flash in the display.



**IMPORTANT: The target speed is intended only to provide motivation. Your actual pedaling speed may be slower than the target speed. Make sure to pedal at a speed that is comfortable for you.**

If the resistance level for the current segment is too high or too low, you can manually override the setting by pressing the Resistance buttons.

**IMPORTANT: When the current segment of the workout ends, the pedals will automatically adjust to the resistance level programmed for the next segment.**

The workout will continue in this way until the last segment ends. To stop the workout at any time, stop pedaling. A tone will sound and the time will stop counting. To restart the workout, simply resume pedaling.

### 4. Follow your progress with the display.

See step 4 on pages 16 and 17.

### 5. Measure your heart rate if desired.

See step 5 on page 17.

### 6. Turn on the fan if desired.

See step 6 on page 17.

### 7. When you are finished exercising, unplug the power cord.

See step 7 on page 17.

## HOW TO USE AN iFIT WORKOUT

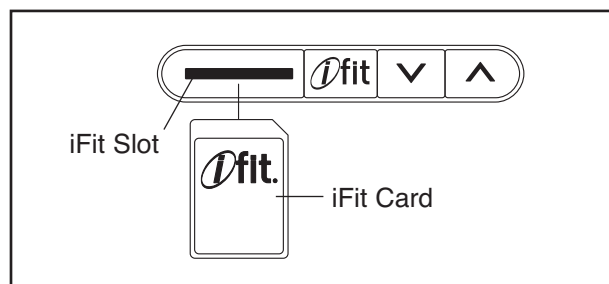
iFit cards are available separately. To purchase iFit cards, go to [www.iFit.com](http://www.iFit.com) or see the front cover of this manual. iFit cards are also available at select stores.

### 1. Begin pedaling or press any button on the console to turn on the console.

See HOW TO TURN ON THE POWER on page 16.

### 2. Insert an iFit card and select a workout.

To use an iFit workout, insert an iFit card into the iFit slot located on the side of the console; make sure that the iFit card is oriented so that the metal contacts are face down and are facing the slot. When the iFit card is properly inserted, the indicator next to the slot will turn on and text will appear in the display.



Next, select the desired workout on the iFit card by pressing the increase and decrease buttons next to the iFit slot.

A moment after you select a workout, the voice of a personal trainer will begin guiding you through your workout.

iFit workouts function in the same way as preset workouts. To use the workout, see steps 3 to 7 on page 18.

### 3. When you are finished exercising, remove the iFit card.

Remove the iFit card when you are finished exercising. Store the iFit card in a secure place.

## HOW TO USE THE SOUND SYSTEM

To play music or audio books through the console sound system while you exercise, plug the included audio cable into the jack on the console and into a jack on your MP3 player or CD player; **make sure that the audio cable is fully plugged in.**

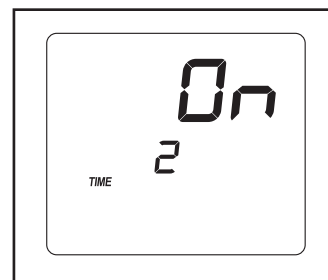
Next, press the play button on your MP3 player or CD player. Adjust the volume level using the volume control on your MP3 player or CD player.

## HOW TO CHANGE CONSOLE SETTINGS

The console features a user mode that allows you to select a backlight option for the console and to view console usage information.

To select the user mode, press and hold down the Display button for a few seconds until the user mode information appears in the display.

The console has three backlight options. The ON option keeps the backlight on while the console is on. The AUTO option keeps the backlight on only while you are pedaling. The OFF option turns the backlight off.



The upper display will show the currently selected backlight option. Press the Resistance increase button repeatedly to select the desired backlight option.

The lower left display will show the total number of hours that the console has been used since the elliptical was purchased.

Press the Display button to save the console settings and exit the user mode.

# MAINTENANCE AND TROUBLESHOOTING

Inspect and tighten all parts of the elliptical regularly. Replace any worn parts immediately.

To clean the elliptical, use a damp cloth and a small amount of mild soap. **IMPORTANT: To avoid damage to the console, keep liquids away from the console and keep the console out of direct sunlight.**

## CONSOLE TROUBLESHOOTING

If the console does not display your heart rate when you hold the handgrip pulse sensor, or if the displayed heart rate appears to be too high or too low, see step 5 on page 17.

## HOW TO CALIBRATE THE RAMP

If the ramp is not functioning properly, the ramp may need to be calibrated. To calibrate the ramp, press and hold the Resistance increase and decrease buttons for several seconds until the test mode appears in the display.

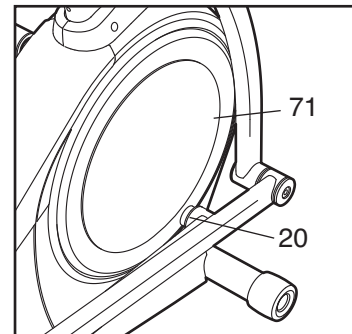
At the same time, press the Resistance increase and decrease buttons twice. Next, press the Vol increase or decrease button to calibrate the ramp. The ramp will move upward and downward as it calibrates.

When the ramp stops moving, the ramp is calibrated. Then, at the same time, press the Resistance increase and decrease buttons repeatedly to exit the calibration mode.

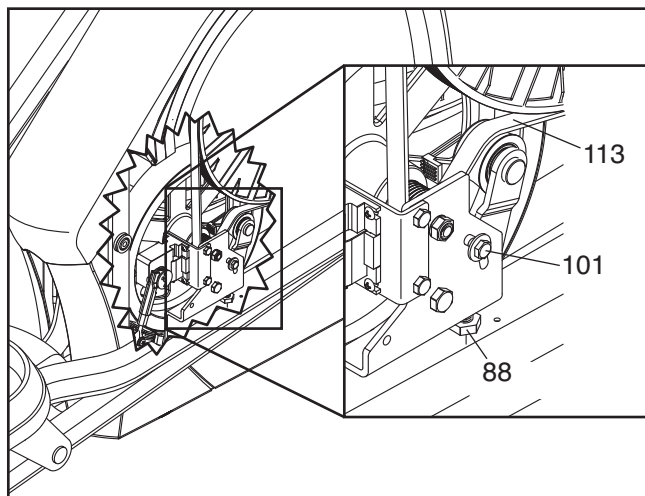
## HOW TO ADJUST THE DRIVE BELT

If the pedals slip while you are pedaling, even while the resistance is adjusted to the highest level, the drive belt may need to be adjusted.

To adjust the drive belt, first use a flat screwdriver to pry the right Disc (71) carefully away from the right Crank Arm (20). Then, carefully rotate the right Disc out of the way.



Locate and loosen the Idler Screw (101). Next, tighten the Belt Adjustment Screw (88) until the Drive Belt (113) is tight. Then, retighten the Idler Screw. Note: If necessary, see EXPLODED DRAWING A on page 25 and remove the M4 x 16mm Screws (104) and the Bottom Shield (77) from the underside of the elliptical.

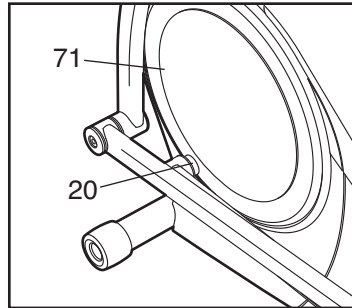


To reattach the right disc, first align the mounts on the disc with the holes in the right crank arm. Then, press the disc firmly into place.

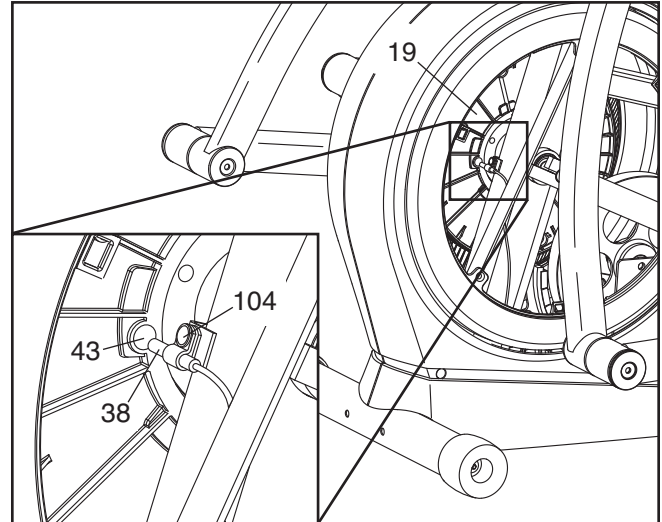
## HOW TO ADJUST THE REED SWITCH

If the console does not display correct feedback, the reed switch should be adjusted.

To adjust the reed switch, first use a flat screwdriver to pry the left Disc (71) carefully away from the left Crank Arm (20). Then, carefully rotate the left Disc out of the way.



Locate the Reed Switch (38). Rotate the Pulley (19) until a Magnet (43) is aligned with the Reed Switch. Next, loosen but do not remove the indicated M4 x 16mm Screw (104). Slide the Reed Switch slightly closer to or away from the Magnet. Then, retighten the Screw. Turn the Pulley for a moment. Repeat until the console displays correct feedback.



To reattach the left disc, first align the mounts on the disc with the holes in the right crank arm. Then, press the disc firmly into place.

# EXERCISE GUIDELINES

**⚠ WARNING:** Before beginning this or any exercise program, consult your physician. This is especially important for persons over age 35 or persons with pre-existing health problems.

The pulse sensor is not a medical device. Various factors may affect the accuracy of heart rate readings. The pulse sensor is intended only as an exercise aid in determining heart rate trends in general.

These guidelines will help you to plan your exercise program. For detailed exercise information, obtain a reputable book or consult your physician. Remember, proper nutrition and adequate rest are essential for successful results.

## EXERCISE INTENSITY

Whether your goal is to burn fat or to strengthen your cardiovascular system, exercising at the proper intensity is the key to achieving results. You can use your heart rate as a guide to find the proper intensity level. The chart below shows recommended heart rates for fat burning and aerobic exercise.

165	155	145	140	130	125	115	♥♥
145	138	130	125	118	110	103	♥
125	120	115	110	105	95	90	♥
<hr/>							
20	30	40	50	60	70	80	

To find the proper intensity level, find your age at the bottom of the chart (ages are rounded off to the nearest ten years). The three numbers listed above your age define your “training zone.” The lowest number is the heart rate for fat burning, the middle number is the heart rate for maximum fat burning, and the highest number is the heart rate for aerobic exercise.

**Burning Fat**—To burn fat effectively, you must exercise at a low intensity level for a sustained period of time. During the first few minutes of exercise, your body uses *carbohydrate calories* for energy. Only after the first few minutes of exercise does your body begin to use stored *fat calories* for energy. If your goal is to burn fat, adjust the intensity of your exercise until your heart rate is near the lowest number in your training zone. For maximum fat burning, exercise with your heart rate near the middle number in your training zone.

**Aerobic Exercise**—If your goal is to strengthen your cardiovascular system, you must perform aerobic exercise, which is activity that requires large amounts of oxygen for prolonged periods of time. For aerobic exercise, adjust the intensity of your exercise until your heart rate is near the highest number in your training zone.

## WORKOUT GUIDELINES

**Warming Up**—Start with 5 to 10 minutes of stretching and light exercise. A warm-up increases your body temperature, heart rate, and circulation in preparation for exercise.

**Training Zone Exercise**—Exercise for 20 to 30 minutes with your heart rate in your training zone. (During the first few weeks of your exercise program, do not keep your heart rate in your training zone for longer than 20 minutes.) Breathe regularly and deeply as you exercise—never hold your breath.

**Cooling Down**—Finish with 5 to 10 minutes of stretching. Stretching increases the flexibility of your muscles and helps to prevent post-exercise problems.

## EXERCISE FREQUENCY

To maintain or improve your condition, complete three workouts each week, with at least one day of rest between workouts. After a few months of regular exercise, you may complete up to five workouts each week, if desired. Remember, the key to success is to make exercise a regular and enjoyable part of your everyday life.

# PART LIST

Model No. PFEL07909.2 R0211A

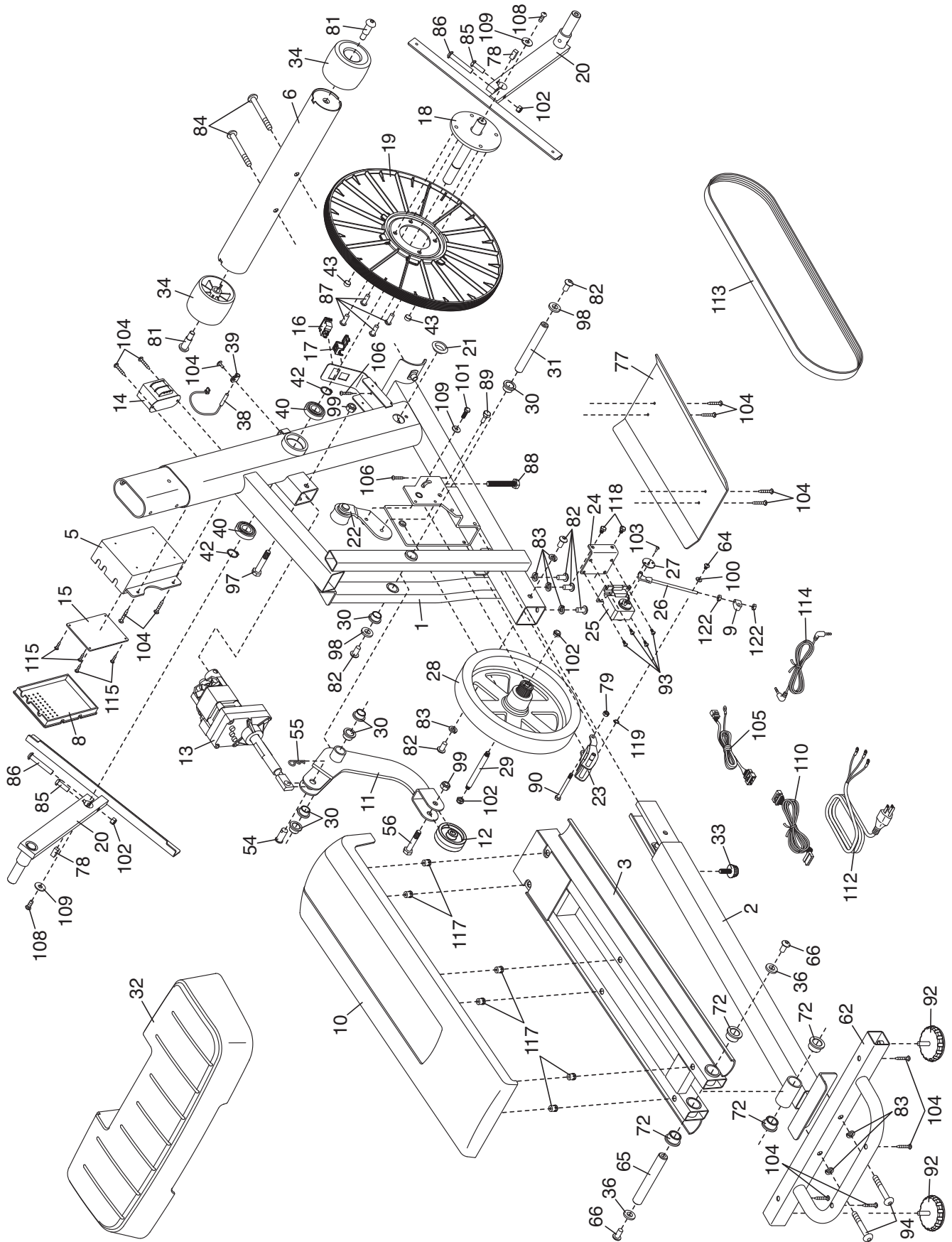
Key No.	Qty.	Description	Key No.	Qty.	Description
1	1	Front Frame	51	2	Roller
2	1	Rear Frame	52	2	Pedal Arm Cap
3	1	Ramp	53	8	Axle Cover
4	1	Upright	54	1	Clevis Pin
5	1	Control Box	55	1	Hairpin Cotter Pin
6	1	Front Stabilizer	56	1	M10 x 40mm Bolt
7	1	Console	57	4	Pedal Arm Bushing
8	1	Control Box Lid	58	1	Right Pedal Arm
9	1	Resistance Bracket	59	12	#10 x 12.7mm Screw
10	1	Ramp Cover	60	1	Right Upper Body Leg
11	1	Lift Bracket	61	1	Right Upper Body Arm
12	1	Lift Roller	62	1	Rear Stabilizer
13	1	Lift Motor	63	1	Right Pulse Sensor/Wire
14	1	Transformer	64	1	M5 x 7mm Screw
15	1	Control Board	65	1	Ramp Axle
16	1	Power Switch	66	4	M10 x 20mm Patch Screw
17	1	Power Cord Grommet	67	2	Outer Cover
18	1	Crank	68	2	Inner Cover
19	1	Pulley	69	1	Left Pulse Sensor/Wire
20	2	Crank Arm	70	2	Inner Pivot Bushing
21	1	Wiring Grommet	71	2	Disc
22	1	Idler	72	8	Ramp Bushing
23	1	C-magnet	73	1	Left Shield
24	1	Motor Bracket	74	1	Right Shield
25	1	Resistance Motor	75	1	Shield Cover
26	1	Resistance Arm	76	10	V-clip
27	1	Resistance Disc	77	1	Bottom Shield
28	1	Flywheel	78	2	Key
29	1	Flywheel Axle	79	1	M6 Locknut
30	8	Lift Bushing	80	1	Rear Upright Cover
31	1	Lift Axle	81	2	M10 Shoulder Screw
32	1	Stabilizer Cover	82	21	M8 x 19mm Patch Screw
33	1	Foot	83	11	M8 Split Washer
34	2	Wheel	84	2	M8 x 80mm Patch Screw
35	1	Pivot Axle	85	2	M4 x 14mm Hex Patch Screw
36	4	M10 x 25mm Washer	86	2	M8 x 55mm Hex Bolt
37	1	Water Bottle Holder	87	4	M8 x 13mm Screw
38	1	Reed Switch	88	1	Belt Adjustment Screw
39	1	Clamp	89	1	Pivot Screw
40	2	R12 Bearing	90	1	M6 x 65mm Bolt
41	1	Right Grip	91	1	Front Upright Cover
42	2	Large Snap Ring	92	2	Leveling Foot
43	2	Magnet	93	4	M4 x 12mm Screw
44	1	Left Pedal Arm	94	2	M8 x 56mm Patch Screw
45	2	Roller Arm	95	2	Wave Washer
46	1	Left Upper Body Leg	96	4	M8 x 38mm Bolt
47	1	Left Upper Body Arm	97	1	M10 x 51mm Bolt
48	1	Left Grip	98	8	M8 x 25mm Washer
49	2	Pedal	99	2	M10 Locknut
50	2	Disc Mount	100	1	M5 Washer

Key No.	Qty.	Description	Key No.	Qty.	Description
101	1	Idler Screw	114	1	Audio Cable
102	8	M8 Locknut	115	4	#6 x 9.5mm Screw
103	1	M3.5 x 12mm Flat Head Screw	116	2	Upper Bushing
104	35	M4 x 16mm Screw	117	6	Mount
105	1	Lower Wire Harness	118	2	Motor Bracket Screw
106	3	M4 x 16mm Bright Screw	119	3	Small Snap Ring
107	4	Roller Arm Bushing	120	1	Ground Wire
108	2	M6 x 13mm Screw	121	6	M6 x 25mm Flat Head Screw
109	3	M6 Washer	122	2	Adjustment Nut
110	1	Upper Wire Harness	*	–	Assembly Tool
111	12	M6 Split Washer	*	–	Grease Packet
112	1	Power Cord	*	–	User's Manual
113	1	Drive Belt			

Note: Specifications are subject to change without notice. For information about ordering replacement parts, see the back cover of this manual. \*These parts are not illustrated.

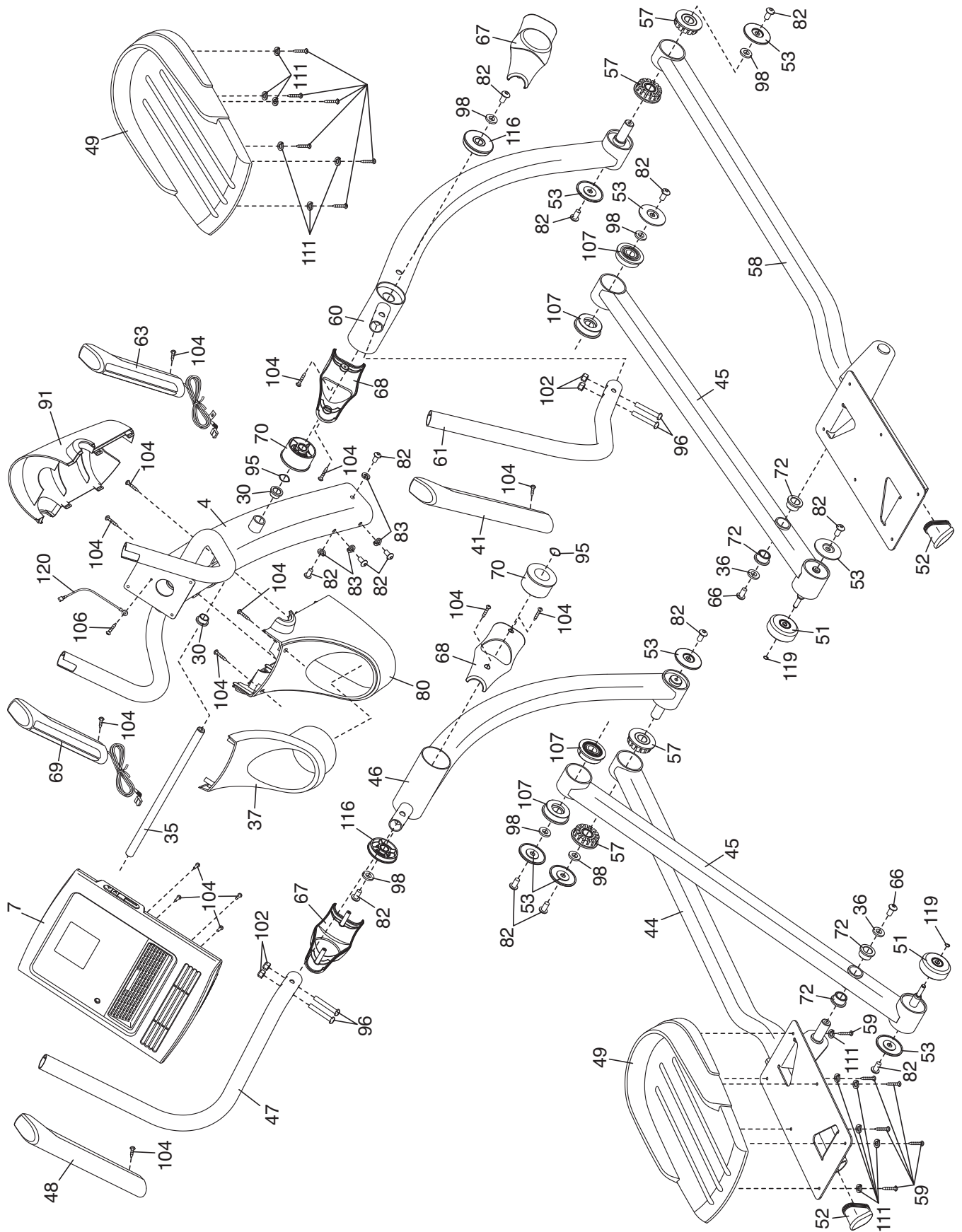
# EXPLODED DRAWING A

Model No. PFEL07909.2 R0211A



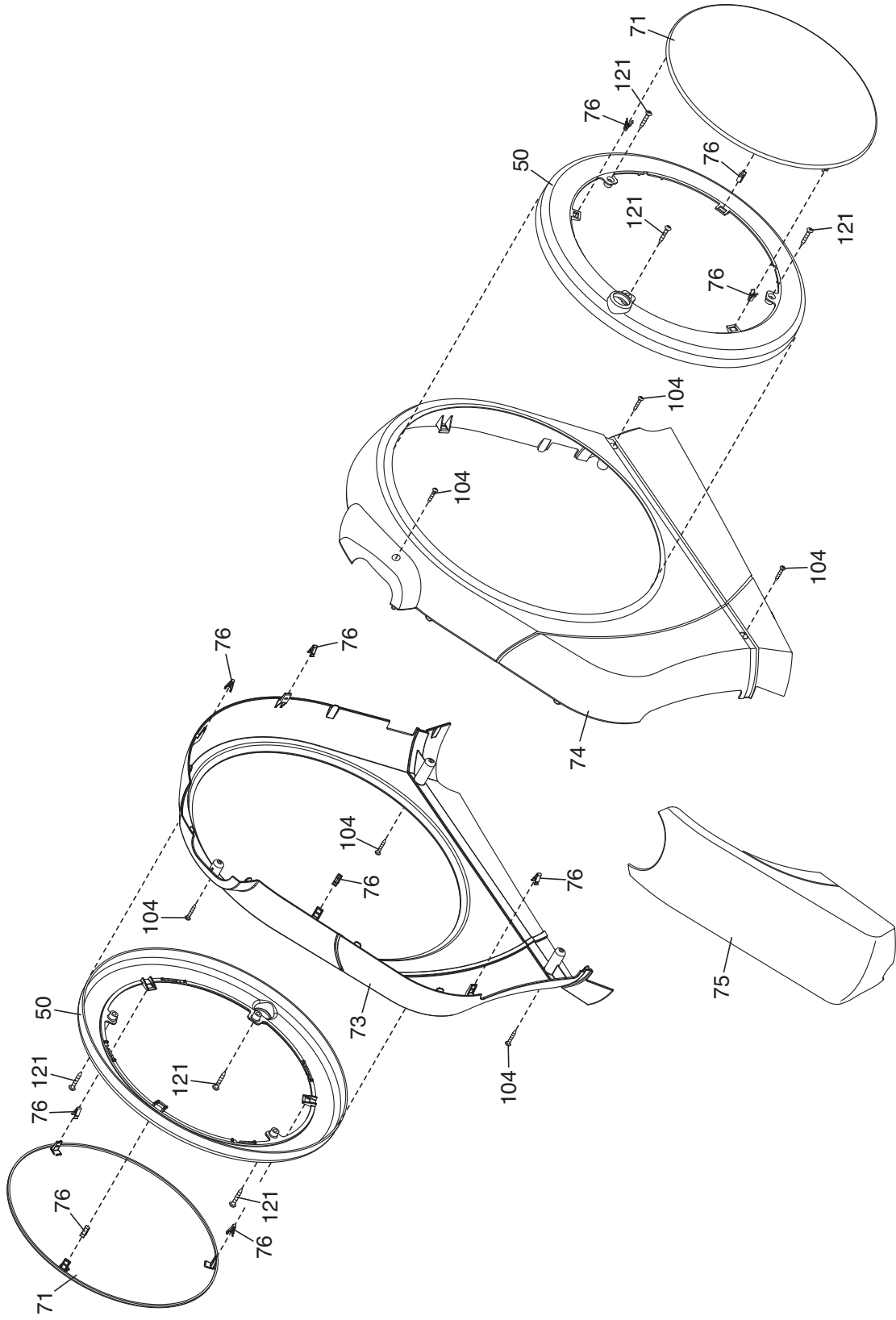
# EXPLODED DRAWING B

Model No. PFEL07909.2 R0211A



# EXPLODED DRAWING C

Model No. PFEL07909.2 R0211A



---

# ORDERING REPLACEMENT PARTS

To order replacement parts, please see the front cover of this manual. To help us assist you, be prepared to provide the following information when contacting us:

- the model number and serial number of the product (see the front cover of this manual)
- the name of the product (see the front cover of this manual)
- the key number and description of the replacement part(s) (see the PART LIST and the EXPLODED DRAWING near the end of this manual)

## LIMITED WARRANTY

**IMPORTANT: You must register this product within 30 days of the purchase date to avoid added fees for service needed under warranty. Go to [www.proformservice.com/registration](http://www.proformservice.com/registration).**

ICON Health & Fitness, Inc. (ICON) warrants this product to be free from defects in workmanship and material, under normal use and service conditions. The frame is warranted for a lifetime. Parts and labor are warranted for one (1) year from the date of purchase.

This warranty extends only to the original purchaser. ICON's obligation under this warranty is limited to repairing or replacing, at ICON's option, the product through one of its authorized service centers. All repairs for which warranty claims are made must be preauthorized by ICON. If the product is shipped to a service center, freight charges to and from the service center will be the customer's responsibility. For replacement parts shipped while the product is under warranty, the customer will be responsible for a minimal handling charge. For in-home service, the customer will be responsible for a minimal trip charge. This warranty does not extend to any damage to a product caused by or attributable to freight damage, abuse, misuse, improper or abnormal usage, or repairs not provided by an ICON authorized service center; to products used for commercial or rental purposes or as store display models; or to products transported or purchased outside the US. No other warranty beyond that specifically set forth above is authorized by ICON.

ICON is not responsible or liable for indirect, special, or consequential damages arising out of or in connection with the use or performance of the product; damages with respect to any economic loss, loss of property, loss of revenues or profits, loss of enjoyment or use, or costs of removal or installation; or other consequential damages of whatsoever nature. Some states do not allow the exclusion or limitation of incidental or consequential damages. Accordingly, the above limitation may not apply to you.

The warranty extended hereunder is in lieu of any and all other warranties, and any implied warranties of merchantability or fitness for a particular purpose are limited in their scope and duration to the terms set forth herein. Some states do not allow limitations on how long an implied warranty lasts. Accordingly, the above limitation may not apply to you.

This warranty gives you specific legal rights. You may also have other rights that vary from state to state.

**ICON Health & Fitness, Inc., 1500 S. 1000 W., Logan, UT 84321-9813**