

PRO-FORM[®]

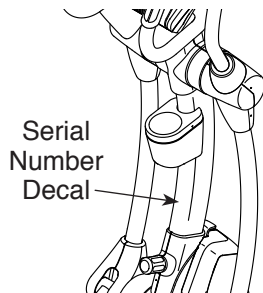
SMART STRIDER 8.0

www.proform.com

Model No. PFEL09716.0

Serial No. _____

Write the serial number in the space above for reference.



ACTIVATE YOUR WARRANTY

To register your product and activate your warranty today, go to www.proformservice.com/registration.

CUSTOMER CARE

For service at any time, go to www.proformservice.com.

Or call 1-888-533-1333
Mon.–Fri. 6 a.m.–6 p.m. MT
Sat. 8 a.m.–12 p.m. MT

Please do not contact the store.

⚠ CAUTION

Read all precautions and instructions in this manual before using this equipment. Keep this manual for future reference.

USER'S MANUAL

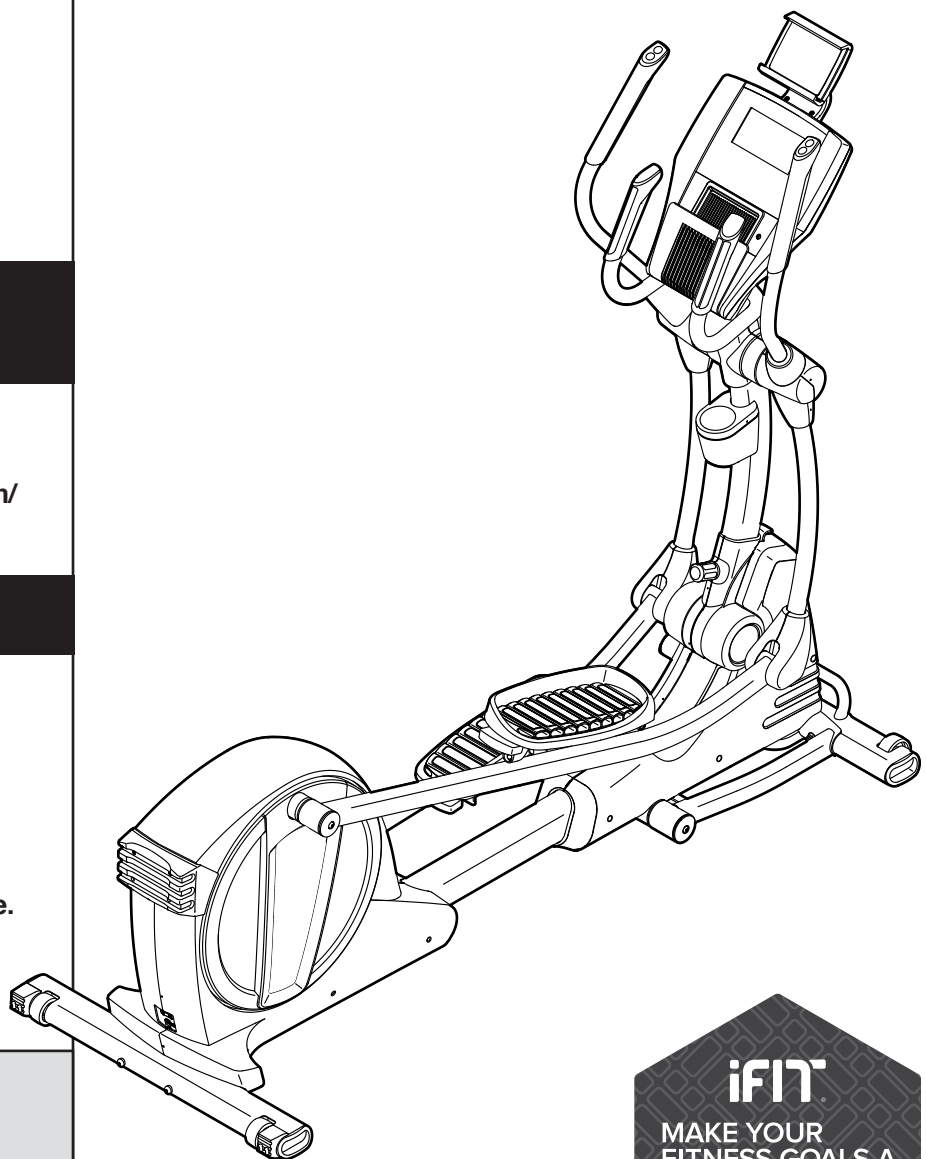


TABLE OF CONTENTS

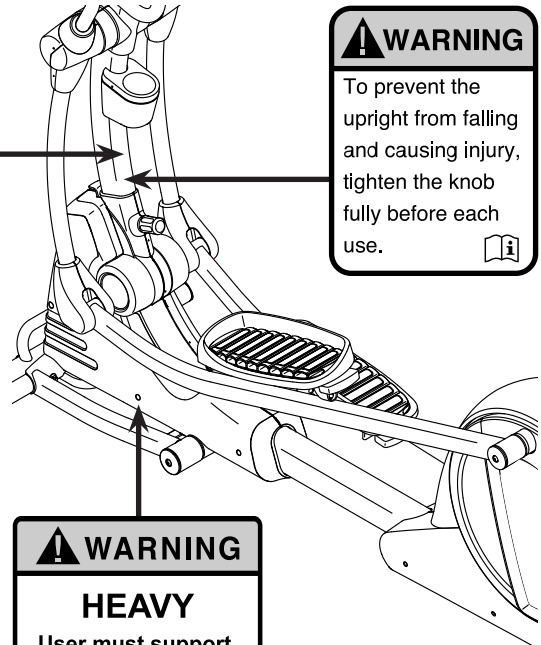
WARNING DECAL PLACEMENT	2
IMPORTANT PRECAUTIONS	3
BEFORE YOU BEGIN	7
ASSEMBLY	8
THE CHEST HEART RATE MONITOR	11
HOW TO USE THE ELLIPTICAL	12
FCC INFORMATION	27
MAINTENANCE AND TROUBLESHOOTING	28
EXERCISE GUIDELINES	30
PART LIST	31
EXPLODED DRAWING	33
ORDERING REPLACEMENT PARTS	Back Cover
LIMITED WARRANTY	Back Cover

WARNING DECAL PLACEMENT

This drawing shows the location(s) of the warning decal(s). **If a decal is missing or illegible, see the front cover of this manual and request a free replacement decal. Apply the decal in the location shown.**
 Note: The decal(s) may not be shown at actual size.

WARNING

- Misuse of this machine may result in serious injury.
- Read user's manual prior to use and follow all warnings and instructions.
- Do not allow children on or around machine.
- Pedals continue to spin when you stop pedaling.
- Spinning pedals can cause injury.
- Reduce pedal speed in a controlled manner.
- User weight must not exceed 325 lbs / 147 kgs.
- This product should always be used on a level surface.
- This product is not intended for therapeutic use.
- Replace label if damaged, illegible, or removed.



WARNING

HEAVY

User must support
 100 lbs / 45 kgs
 to lower this elliptical.

PROFORM and IFIT are registered trademarks of ICON Health & Fitness, Inc. Google Maps is a trademark of Google Inc. The BLUETOOTH® word mark and logos are registered trademarks of Bluetooth SIG, Inc. and are used under license. Wi-Fi is a registered trademark of Wi-Fi Alliance. WPA and WPA2 are trademarks of Wi-Fi Alliance.

IMPORTANT PRECAUTIONS

⚠️ WARNING: To reduce the risk of burns, fire, electric shock, or injury to persons, read all important precautions and instructions in this manual and all warnings on your elliptical before using your elliptical. ICON assumes no responsibility for personal injury or property damage sustained by or through the use of this product.

1. It is the responsibility of the owner to ensure that all users of the elliptical are adequately informed of all precautions.
2. Before beginning any exercise program, consult your physician. This is especially important for persons over age 35 or persons with pre-existing health problems.
3. The elliptical is not intended for use by persons with reduced physical, sensory, or mental capabilities or lack of experience and knowledge, unless they are given supervision or instruction about use of the elliptical by someone responsible for their safety.
4. Use the elliptical only as described in this manual.
5. The elliptical is intended for home use only. Do not use the elliptical in a commercial, rental, or institutional setting.
6. Keep the elliptical indoors, away from moisture and dust. Do not put the elliptical in a garage or covered patio, or near water.
7. Place the elliptical on a level surface, with at least 3 ft. (0.9 m) of clearance in the front and rear of the elliptical and 2 ft. (0.6 m) on each side. To protect the floor or carpet from damage, place a mat under the elliptical.
8. Inspect and properly tighten all parts each time the elliptical is used. Replace any worn parts immediately.
9. Keep children under age 13 and pets away from the elliptical at all times.
10. When connecting the power cord (see page 12), plug the power cord into a grounded circuit.
11. Do not modify the power cord or use an adapter to connect the power cord to an improper receptacle. Keep the power cord away from heated surfaces. Do not use an extension cord.
12. Do not operate the elliptical if the power cord or plug is damaged, or if the elliptical is not working properly.
13. **DANGER:** Always unplug the power cord and switch the power switch to the off position when the elliptical is not in use and before cleaning the elliptical. Servicing other than the procedures in this manual should be performed by an authorized service representative only.
14. Do not attempt to place the elliptical in the storage position until it is properly assembled and the upright is folded. You must be able to safely support 85 lbs. (39 kg) to place the elliptical in the storage position.
15. The elliptical should not be used by persons weighing more than 325 lbs. (147 kg).
16. Wear appropriate clothes while exercising; do not wear loose clothes that could become caught on the elliptical. Always wear athletic shoes for foot protection while exercising.
17. Hold the handlebars or the upper body arms when mounting, dismounting, or using the elliptical.

18. The heart rate monitor is not a medical device. Various factors may affect the accuracy of heart rate readings. The heart rate monitor is intended only as an exercise aid in determining heart rate trends in general.

19. The elliptical does not have a freewheel; the pedals will continue to move until the fly-wheel stops. Reduce your pedaling speed in a controlled way.

20. Keep your back straight while using the elliptical; do not arch your back.

21. Over exercising may result in serious injury or death. If you feel faint, if you become short of breath, or if you experience pain while exercising, stop immediately and cool down.

SAVE THESE INSTRUCTIONS

MAKE YOUR FITNESS GOALS A **REALITY**

iFIT®

Congratulations on the purchase of your new iFit® compatible fitness equipment. You're just one click away from making your fitness goals a reality.

GO TO IFIT.COM TO GET STARTED

DO MORE THAN JUST WORK OUT

iFit® is the most powerful training tool available to help you accomplish all of your fitness goals. From weight loss and performance to personalized training programs, iFit® is the key to getting more out of everything you do. Some features require paid subscription.



LOSE WEIGHT

Stay on track and motivated with progressive weight loss programs with our trainers, including Jillian Michaels.



COMPETE WITH OTHERS

Push yourself to new limits with real-time virtual races.



PERSONALIZED EVENT TRAINING

5k, 10k, half or full marathon training will help you prepare for your event.



GO MOBILE

Track your workout anywhere you go with iFit® mobile apps.



MAP YOUR ROUTE

With Google Maps™, your fitness equipment will simulate the earth's terrain while displaying Street View during your workout.



SHARE YOUR PROGRESS

Inspire others, motivate yourself and share routes, workouts and more.

GO TO

IFIT.COM

OR CALL

877-236-1009

PROTECT

YOUR FITNESS EQUIPMENT
WITH AN EXTENDED SERVICE PLAN



Your new fitness equipment is not an ordinary purchase; it is an investment in your health and well being for years to come.

As the leading provider of manufacturer's extended service plans, ICON strives to protect your equipment and your future.

Please review the following service plans and find one that best fits your needs.

PREVENTIVE MAINTENANCE SERVICE PLANS

Equipment Price	3-Year Plan	5-Year Plan
\$0.00 to \$1000.00	\$199.99	\$289.99
\$1001.00 to \$1500.00	\$259.99	\$379.99
\$1501.00 to \$2500.00	\$339.99	\$489.99
(Bikes/Systems Only) \$0.00 to \$2500.00	\$139.99	NA

Features:

- Includes an annual preventive maintenance and performance check at your convenience
- Unlimited in-home repairs; no shipping required
- Covers parts and labor on all manufacturer's defects, as well as wear and tear on parts
- Up to 5 years of coverage available

STANDARD SERVICE PLANS

Equipment Price	1-Year Plan	2-Year Plan	3-Year Plan
\$0.00 to \$300.00	\$29.99	\$39.99	\$59.99
\$301.00 to \$1000.00	\$89.99	\$119.99	\$149.99
\$1001.00 to \$2000.00	\$109.99	\$139.99	\$179.99
\$2001.00 to \$3000.00	\$179.99	\$209.99	\$239.99

Features:

- Unlimited in-home repairs; no shipping required
- Covers parts and labor on all manufacturer's defects, as well as wear and tear on parts
- Up to 3 years of coverage available

To protect your fitness equipment today, please
call Customer Care at **1-800-677-3838.**
Or, visit us online at **www.utserv.com.**



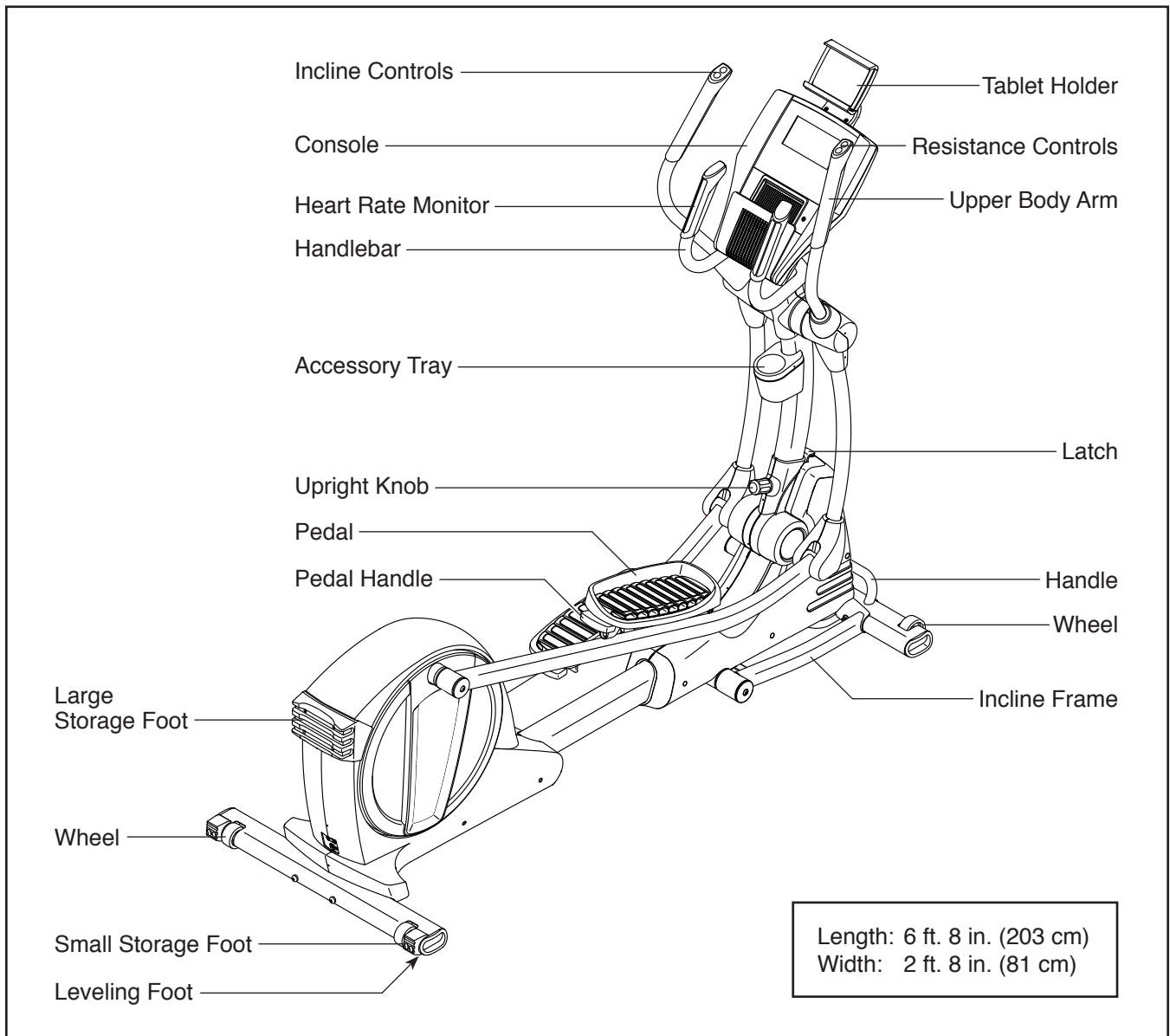
BEFORE YOU BEGIN

Thank you for selecting the revolutionary PROFORM® SMART STRIDER 8.0 elliptical. The SMART STRIDER 8.0 elliptical provides an impressive selection of features designed to make your workouts at home more effective and enjoyable.

For your benefit, read this manual carefully before you use the elliptical. If you have questions after

reading this manual, please see the front cover of this manual. To help us assist you, note the product model number and serial number before contacting us. The model number and the location of the serial number decal are shown on the front cover of this manual.

Before reading further, please familiarize yourself with the parts that are labeled in the drawing below.

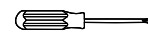


ASSEMBLY

- To hire an authorized service technician to assemble this product, call 1-800-445-2480.
- Assembly requires two persons.
- Place all parts in a cleared area and remove the packing materials. Do not dispose of the packing materials until you finish all assembly steps.

- In addition to the included tool(s), assembly requires the following tool(s):

one Phillips screwdriver

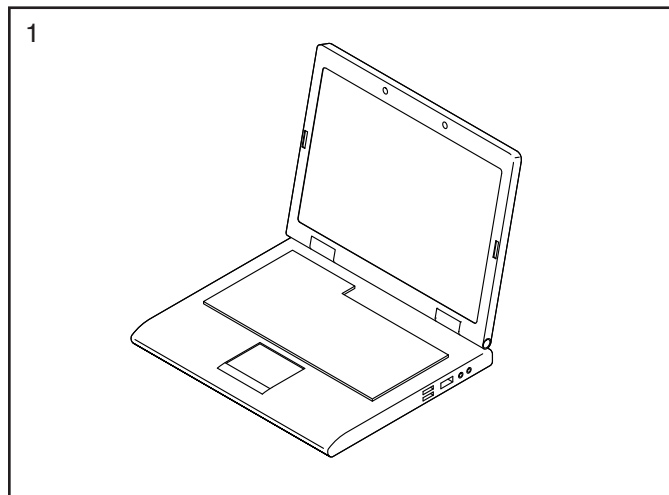


Assembly may be easier if you have a set of wrenches. To avoid damaging parts, do not use power tools.

1. Go to www.proformservice.com/registration on your computer and register your product.

- activates your warranty
- saves you time if you ever need to contact Customer Care
- allows us to notify you of upgrades and offers

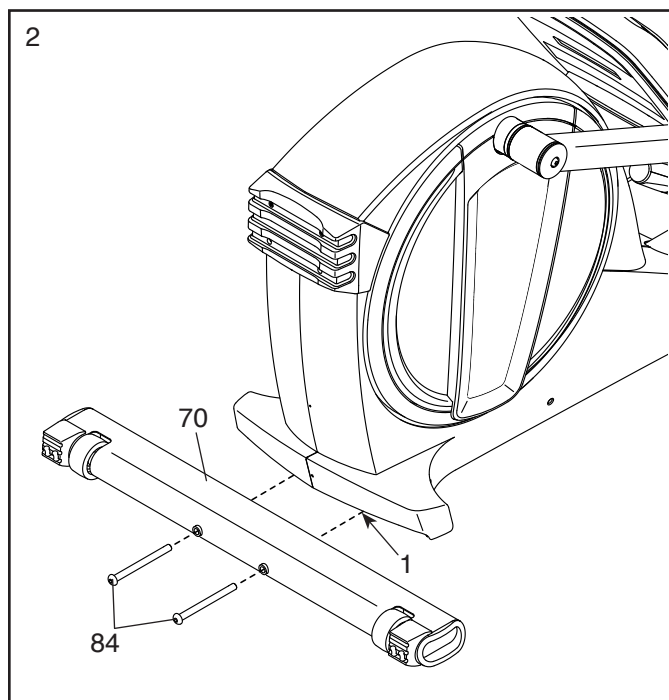
Note: If you do not have internet access, call Customer Care (see the front cover of this manual) and register your product.



2. If there are shipping supports (not shown) attached to the rear of the Frame (1), remove the screws from the shipping supports, and discard the screws and the shipping supports.

With the help of another person, place some packing inserts from the packing material under the rear of the Frame (1) so that the Frame is lifted off the floor. **Have another person hold the elliptical to prevent it from moving from side to side until this step is completed.**

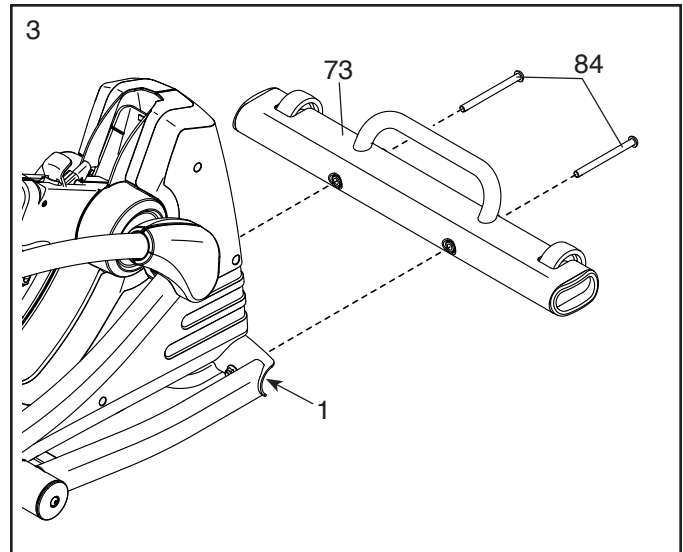
Attach the Rear Stabilizer (70) to the Frame (1) with two M10 x 120mm Screws (84). Then, remove the packing inserts and lower the Rear Stabilizer.



3. If there are shipping supports (not shown) attached to the front of the Frame (1), remove the screws from the shipping supports, and discard the screws and the shipping supports.

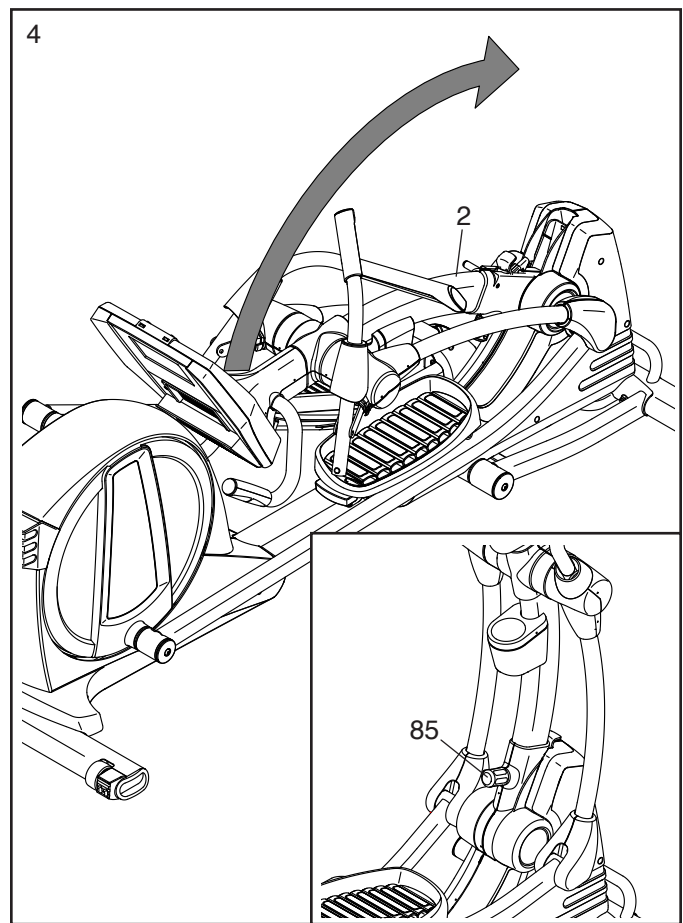
With the help of another person, place some packing inserts from the packing material under the Frame (1) so that the Frame is lifted off the floor. **Have another person hold the elliptical to prevent it from moving from side to side until this step is completed.**

Attach the Front Stabilizer (73) to the Frame (1) with two M10 x 120mm Screws (84). Then, remove the packing inserts and lower the Front Stabilizer.



4. With the help of a second person, raise the Upright (2) to the vertical position.

See the inset drawing. Tighten the Upright Knob (85).



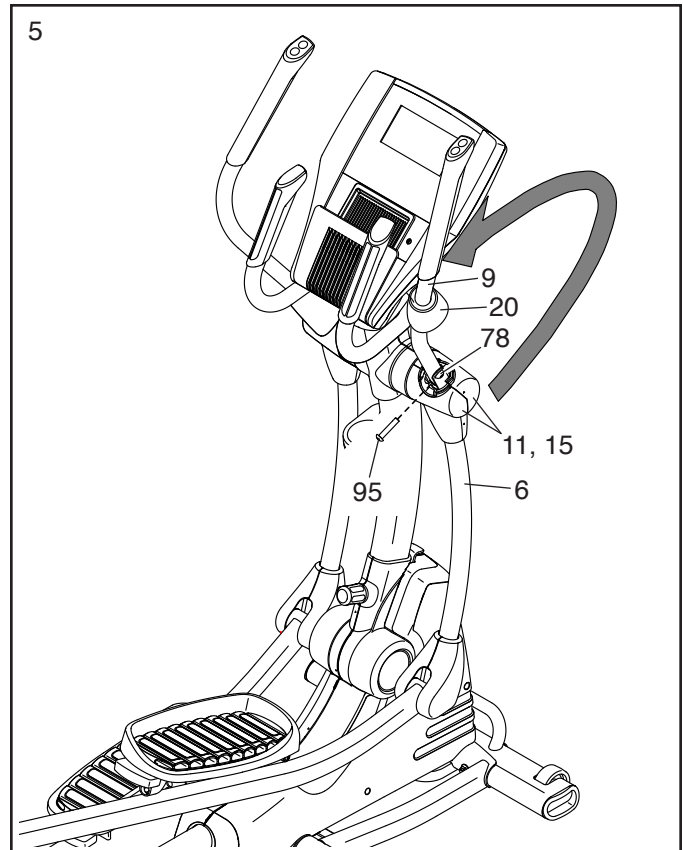
5. Rotate the Right Upper Body Arm (9) to the position shown.

Attach the Right Upper Body Arm (9) to the Right Upper Body Leg (6) with an M10 x 50mm Screw (95).

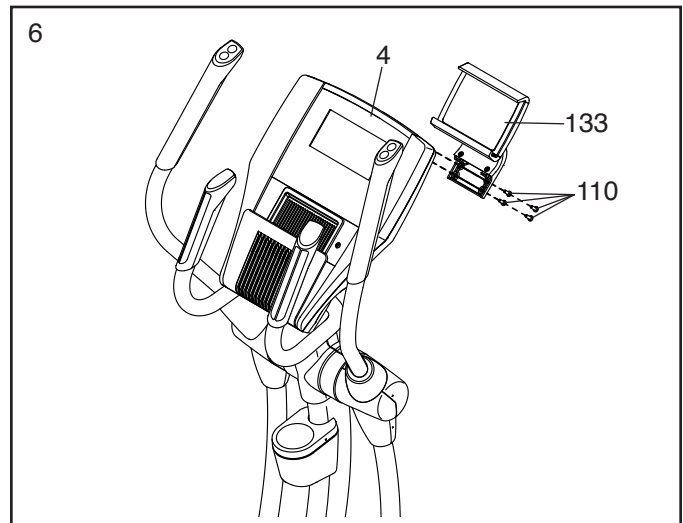
IMPORTANT: Tighten the indicated M10 x 45mm Hex Screw (78).

Then, press the Upper Body Arm Cover (20) downward and turn it so that it is flush with the Right Leg Front and Rear Covers (11, 15).

Repeat this step on the other side of the elliptical.



6. Attach the Tablet Holder (133) to the Console (4) with four Tablet Holder Screws (110); **start all the Screws, and then tighten them.**

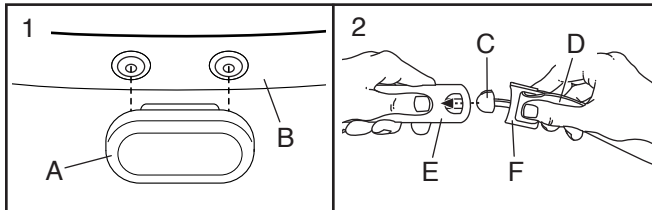


7. **Make sure that all parts of the elliptical are properly tightened.** Extra parts may be included. Place a mat beneath the elliptical to protect the floor.

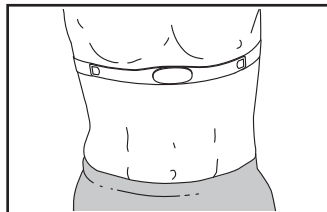
THE CHEST HEART RATE MONITOR

HOW TO PUT ON THE HEART RATE MONITOR

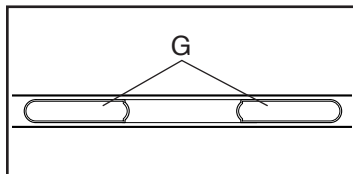
If the heart rate monitor looks like the one shown in drawing 1, press the transmitter (A) onto the snap fasteners on the chest strap (B). If the heart rate monitor looks like the one shown in drawing 2, insert the tab (C) on one end of the chest strap (D) into one end of the transmitter (E). Then, press the end of the transmitter under the buckle (F) on the chest strap; the tab should be flush with the transmitter.



Next, wrap the heart rate monitor around your chest in the location shown; the heart rate monitor must be under your clothes, tight against your skin. Make sure that the logo is right-side-up. Then, attach the other end of the chest strap. Adjust the length of the chest strap, if necessary.



Next, pull the transmitter and the chest strap away from your body a few inches and locate the two electrode areas (G). Using saliva or contact lens solution, wet the electrode areas. Then, return the transmitter and the chest strap to a position against your chest.



CARE AND MAINTENANCE

- Thoroughly dry the electrode areas with a soft towel after each use. Moisture may keep the heart rate monitor activated, shortening the life of the battery.
- Store the heart rate monitor in a warm, dry place. Do not store the heart rate monitor in a plastic bag or other container that may trap moisture.
- Do not expose the heart rate monitor to direct sunlight for extended periods of time, and do not expose it to temperatures above 122°F (50°C) or below 14°F (-10°C).
- Do not excessively bend or stretch the heart rate monitor when using or storing it.
- To clean the transmitter, use a damp cloth and a small amount of mild soap. Then, wipe the transmitter with a damp cloth and thoroughly dry it with a soft towel. Never use alcohol, abrasives, or chemicals to clean the transmitter. Hand wash and air dry the chest strap.

TROUBLESHOOTING

- If the heart rate monitor does not function when positioned as described at the left, move it slightly lower or higher on your chest.
- If heart rate readings are not displayed until you begin perspiring, re-wet the electrode areas.
- For the console to display heart rate readings, you must be within arm's length of the console.
- If there is a battery cover on the back of the transmitter, replace the battery with a new battery of the same type.
- The heart rate monitor is designed to work with people who have normal heart rhythms. Heart rate reading problems may be caused by medical conditions such as premature ventricular contractions (pvc's), tachycardia bursts, and arrhythmia.
- The operation of the heart rate monitor can be affected by magnetic interference from high power lines or other sources. If you suspect that magnetic interference is causing a problem, try relocating the fitness equipment.

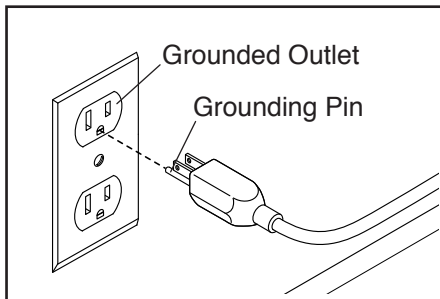
HOW TO USE THE ELLIPTICAL

HOW TO PLUG IN THE POWER CORD

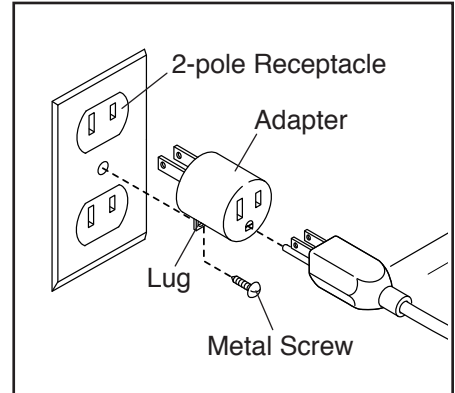
This product must be grounded. If it should malfunction or break down, grounding provides a path of least resistance for electric current to reduce the risk of electric shock. The power cord has a plug with a grounding pin.

⚠ DANGER: Improper connection of the power cord increases the risk of electric shock. Do not modify the plug; if it will not fit an outlet, have a proper outlet installed by a qualified electrician. If you are unsure whether the product is properly grounded, contact a qualified electrician.

Plug the power cord into an appropriate outlet that is properly installed and grounded in accordance with all local codes and ordinances. The outlet must be on a nominal 120-volt circuit.



A temporary adapter may be used to connect the power cord to a 2-pole receptacle as shown at the right if a properly grounded outlet is not available.

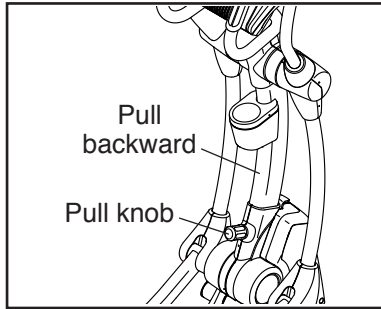


The lug or wire extending from the adapter must be connected with a metal screw to a permanent ground such as a properly grounded outlet box cover. **Some 2-pole receptacle outlet box covers are not grounded. Before using an adapter, contact a qualified electrician to determine whether the outlet box cover is grounded before using an adapter. The temporary adapter should be used only until a properly grounded outlet can be installed by a qualified electrician.**

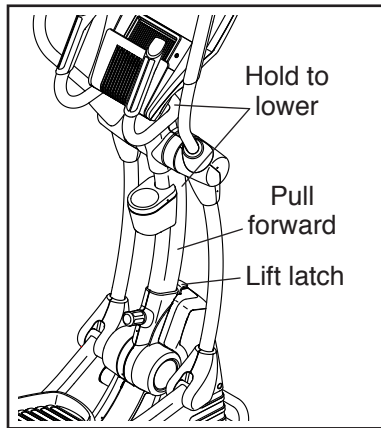
HOW TO MOVE THE ELLIPTICAL

Due to the size and weight of the elliptical, moving it requires two persons.

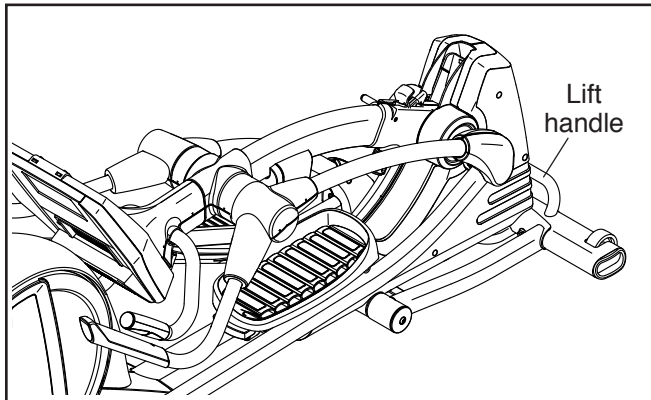
First, loosen the upright knob. Next, pull the upright knob, pull the upright backward until the latch stops the upright, and then release the upright knob.



Next, pull the upright forward slightly, lift the latch, and then lower the upright to the folded position. **Hold the upright in one of the indicated locations while you lower the upright; do not hold the upper body arms.**



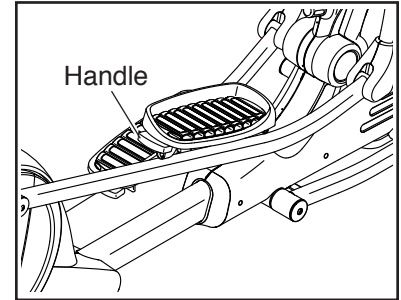
Next, hold the handle on the front stabilizer and lift the elliptical until it will roll on the wheels (not shown) on the rear stabilizer. Then, carefully move the elliptical to the desired location, and lower it to the floor.



When you are finished moving the elliptical, lift the upright to the vertical position and tighten the upright knob.

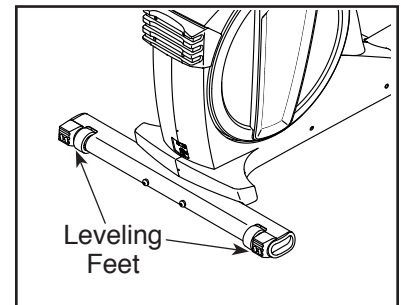
HOW TO ADJUST THE POSITIONS OF THE PEDALS

Each pedal can be adjusted to several positions. To adjust each pedal, simply pull the pedal handle outward, move the pedal to the desired position, and then release the pedal handle into an adjustment hole beneath the pedal. Make sure to adjust both pedals to the same position.



HOW TO LEVEL THE ELLIPTICAL

If the elliptical rocks slightly on your floor during use, turn one or both of the leveling feet beneath the rear stabilizer until the rocking motion is eliminated.

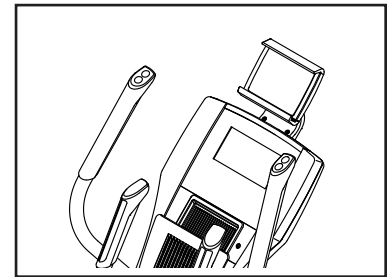


HOW TO USE THE TABLET HOLDER

IMPORTANT: The tablet holder is designed for use with most full-size tablets. Do not place any other electronic device or object in the tablet holder.

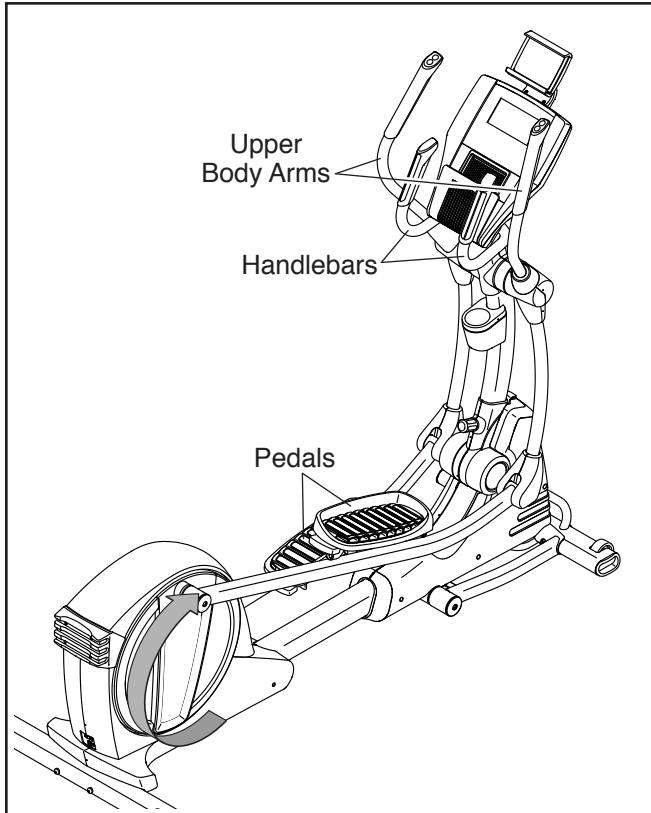
To insert a tablet into the tablet holder, set the bottom edge of the tablet in the tray. Then, pull the clip over the top edge of the tablet. **Make sure that the tablet is firmly**

secured in the tablet holder. Rotate the tablet holder to the desired angle. Reverse these actions to remove the tablet from the tablet holder.



HOW TO EXERCISE ON THE ELLIPTICAL

To mount the elliptical, hold the handlebars or the upper body arms and step onto the pedal that is in the lower position. Then, step onto the other pedal. Push the pedals until they begin to move with a continuous motion. **Note: The pedals can turn in either direction. It is recommended that you turn the pedals in the direction shown by the arrow; however, for variety, you can turn the pedals in the opposite direction.**



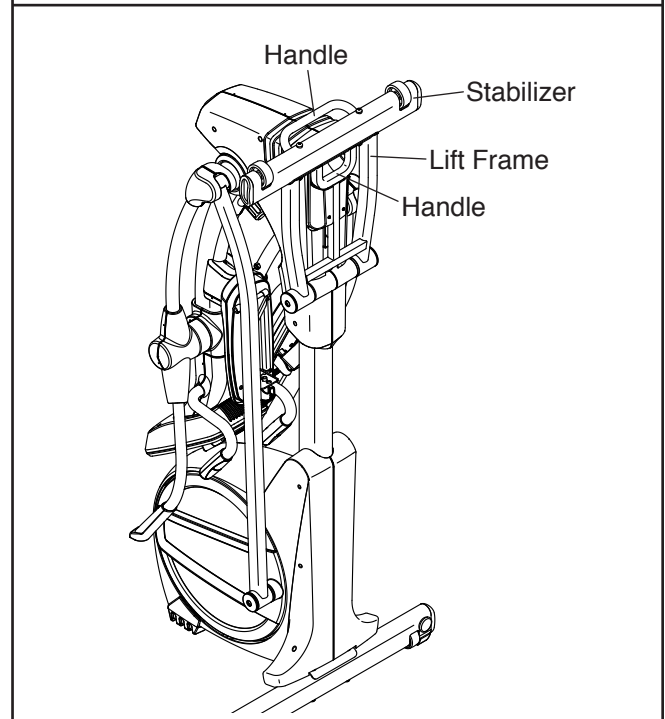
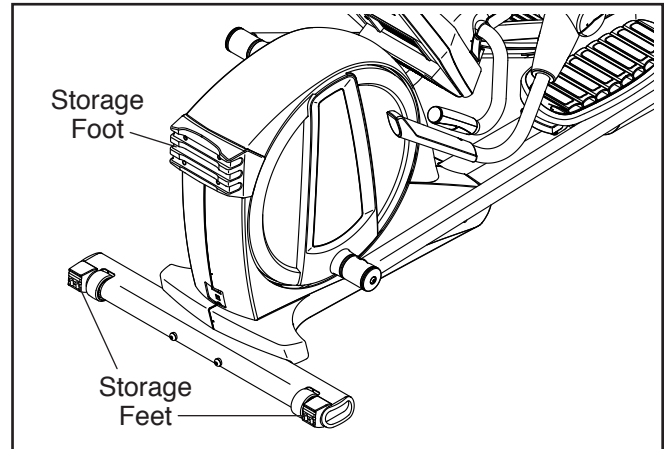
To dismount the elliptical, wait until the pedals come to a complete stop. **Note: The elliptical does not have a free wheel; the pedals will continue to move until the flywheel stops.** When the pedals are stationary, step off the higher pedal first. Then, step off the lower pedal.

HOW TO STORE THE ELLIPTICAL

Due to the size and weight of the elliptical, storing it requires two persons. **CAUTION: You must be able to safely lift 100 lbs. (45 kg) to lift, store, and lower the elliptical.**

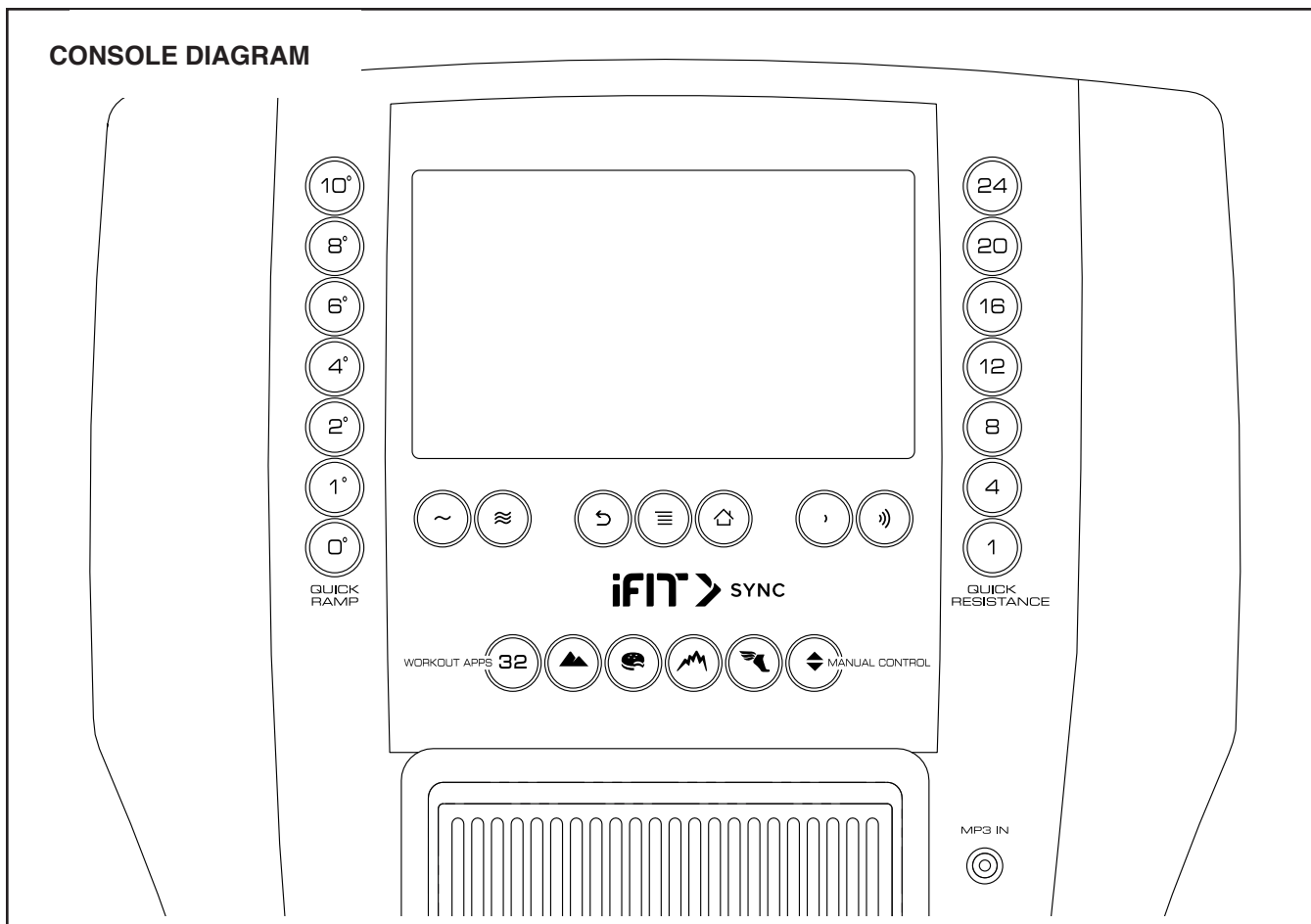
See HOW TO MOVE THE ELLIPTICAL on page 13 and lower the upright to the folded position.

Next, hold the handle (not shown) on the front stabilizer and lift the elliptical to the upright position so that it is resting on the small and large storage feet.



To lower the elliptical for use, first hold the handle on the lift frame with one hand and hold the front stabilizer with your other hand. Next, pull the frame towards you and lower it until you can reach the handle on the front stabilizer. Then, hold the handle on the front stabilizer with both hands and finish lowering the elliptical to the floor.

CONSOLE DIAGRAM



MAKE YOUR FITNESS GOALS A REALITY WITH IFIT.COM

With your new iFit-compatible fitness equipment, you can use an array of features on iFit.com to make your fitness goals a reality:



Exercise anywhere in the world with customizable Google Maps.



Download training workouts designed to help you reach your personal goals.



Measure your progress by competing against other users in the iFit community.



Upload your workout results to the iFit cloud and track your accomplishments.



Set calorie, time, or distance goals for your workouts.



Watch high-definition videos with simulated workouts.



Choose and download sets of weight-loss workouts.

Go to [iFit.com](https://www.ifit.com) to learn more.

FEATURES OF THE CONSOLE

The advanced console offers an array of features designed to make your workouts more effective and enjoyable.

The console features revolutionary iFit technology that enables the console to communicate with your wireless network. With iFit technology, you can download personalized workouts, create your own workouts, track your workout results, and access many other features. **See www.iFit.com for complete information.**

In addition, the console features a selection of onboard workouts and several iFit demo workouts. Each workout automatically controls the resistance of the pedals and the incline of the frame and prompts you to vary your pedaling speed as it guides you through an effective exercise session. You can also set a customized workout goal with the set-a-goal workout.

When you use the manual mode of the console, you can change the resistance of the pedals and the incline of the frame with the touch of a button.

While you exercise, the console will display continuous exercise feedback. You can even measure your heart rate using the handgrip heart rate monitor or the chest heart rate monitor.

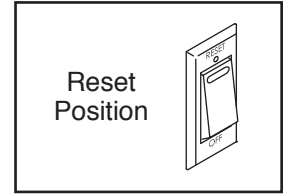
You can also browse the internet or listen to your favorite workout music or audio books with the console sound system while you exercise.

To turn on the power, see this page. **To learn how to use the touch screen**, see page 17. **To set up the console**, see page 17.

HOW TO TURN ON THE POWER

IMPORTANT: If the elliptical has been exposed to cold temperatures, allow it to warm to room temperature before you turn on the power. If you do not do this, you may damage the console displays or other electrical components.

Plug in the power cord (see HOW TO PLUG IN THE POWER CORD on page 12). Next, locate the power switch on the frame near the power cord. Press the power switch to the reset position.



The display will then turn on and the console will be ready for use.

Note: When you turn on the power for the first time, the incline system may calibrate automatically. The frame will move upward and downward as it calibrates. When the frame stops moving, the incline system is calibrated.

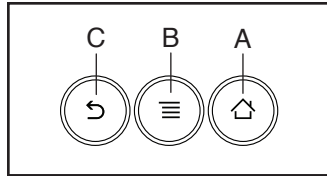
IMPORTANT: If the incline system does not calibrate automatically, see step 4 on page 25 and manually calibrate the incline system.

IMPORTANT: The console features a display demo mode, designed to be used if the elliptical is displayed in a store. If the demo mode is turned on, the console will show a preset presentation when you finish exercising. To turn off the demo mode, see step 6 on page 23.

HOW TO USE THE TOUCH SCREEN

The console features a tablet with a full-color touch screen. The following information will help you become familiar with the tablet's advanced technology:

- The console functions similarly to other tablets. You can slide or flick your finger against the screen to move certain images on the screen, such as the displays in a workout. However, you cannot zoom in and out by sliding your fingers on the screen.
- To type information into a text box, first touch the text box to view the keyboard. To use numbers or other characters on the keyboard, touch the ?123 button. To view more characters, touch the Alt button. Touch the Alt button again to return to the number keyboard. To return to the letter keyboard, touch the ABC button. To use a capital character, touch the button with an upward-facing arrow. To use multiple capital characters, touch the arrow button again. To return to the lowercase keyboard, touch the arrow button a third time. To clear the last character, touch the button with a backward-facing arrow and an X.
- Use these buttons on the console to navigate the tablet. Press the home button to return to the main menu. Press the center button to access the settings menu (see page 23). Press the back button to return to the previous screen.



HOW TO SET UP THE CONSOLE

Before using the elliptical for the first time, set up the console.

1. Connect to your wireless network.

Note: In order to access the internet, download iFit workouts, and use some other features of the console, you must be connected to a wireless network. See HOW TO USE THE WIRELESS NETWORK MODE on page 26 to connect the console to your wireless network.

2. Check for firmware updates.

First, see step 1 on page 23 and step 2 on page 25 and select the maintenance mode. Then, see step 3 on page 25 and check for firmware updates.

3. Calibrate the incline system.

See step 4 on page 25 and calibrate the incline system.

4. Create an iFit account.

Touch the globe button at the bottom of the screen and then touch the iFit button.

Note: For information about navigating in the browser, see page 27.

The internet browser will open to the iFit.com home page. Follow the prompts on the website to sign up for your iFit membership. If you have an activation code, select the code activation option.

The console is now ready for you to begin working out. The following pages explain the various workouts and other features that the console offers.

To use the manual mode, see page 18. **To use an onboard workout**, see page 19. **To use a set-a-goal workout**, see page 21. **To use an iFit workout**, see page 22.

To use the equipment settings mode, see page 23. **To use the maintenance mode**, see page 25. **To use the wireless network mode**, see page 26. **To use the sound system**, see page 27. **To use the internet browser**, see page 27.

Note: If there is a sheet of plastic on the screen, remove the plastic.

Note: The console can display speed and distance in either miles or kilometers. To find which unit of measurement is selected, see step 13 on page 24. For simplicity, all instructions in this section refer to miles.

HOW TO USE THE MANUAL MODE

1. Touch the screen or press any button on the console to turn on the console.

See HOW TO TURN ON THE POWER on page 16.

2. Select the main menu.

When you turn on the console, the main menu will appear on the screen after the console boots up.

Touch the home button at the bottom of the screen to return to the main menu at any time.

3. Change the resistance of the pedals and the incline of the frame as desired.

Press the Manual Control button, touch the Start button, or begin pedaling.

As you pedal, you can change the resistance of the pedals. To change the resistance, press one of the numbered Quick Resistance buttons on the console or press the Resist. increase and decrease buttons on the right upper body arm.

Note: After you press a button, it will take a moment for the pedals to reach the selected resistance level.

To vary the motion of the pedals, you can change the incline of the frame. To change the incline, press one of the numbered Quick Ramp increase and decrease buttons on the console or press the Ramp increase and decrease buttons on the left upper body arm.

Note: After you press a button, it will take a moment for the frame to reach the selected incline level.

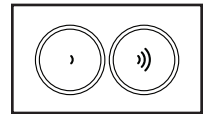
4. Follow your progress.

The console offers several display modes. The display mode that you select will determine which workout information is shown.

To select the desired display mode, simply flick or slide the screen. You can also view additional workout information by touching the red boxes on the screen.

If desired, keep your pedaling speed near the target cadence. The target zone meter will prompt you to increase, decrease, or maintain your pedaling speed. To view the target zone meter, flick or slide the screen. Note: The target cadence is displayed in revolutions per minute (rpm).

If desired, adjust the volume level by pressing the volume increase and decrease buttons on the console.



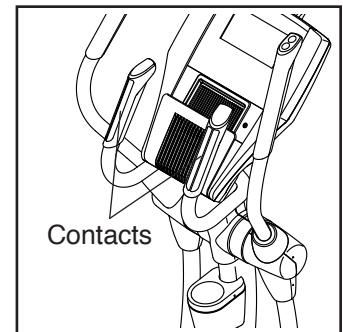
To pause the workout, touch one of the menu buttons on the screen. To continue the workout, touch the Resume button. To end the workout session, touch the End Workout button.

5. Measure your heart rate if desired.

To use the chest heart rate monitor, see page 11. To use the handgrip heart rate monitor, follow the instructions below. **IMPORTANT: If you use both heart rate monitors at the same time, the console will not display your heart rate accurately.**

Note: The console is compatible with BLUETOOTH® Smart heart rate monitors.

If there are sheets of plastic on the metal contacts on the handgrip heart rate monitor, remove the plastic. To measure your heart rate, hold the handgrip heart rate monitor with your palms resting against the contacts. **Avoid moving your hands or gripping the contacts tightly.**

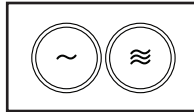


When your pulse is detected, your heart rate will be shown. For the most accurate heart rate reading, hold the contacts for at least 15 seconds.

If the display does not show your heart rate, make sure that your hands are positioned as described. Be careful not to move your hands excessively or to squeeze the contacts tightly. For optimal performance, clean the contacts using a soft cloth; **never use alcohol, abrasives, or chemicals to clean the contacts.**

6. Turn on the fan if desired.

The fan has several speed settings, including an auto mode. While the auto mode is selected, the speed of the fan will automatically increase or decrease as your pedaling speed and/or your power output in watts increases or decreases. Press the fan increase and decrease buttons repeatedly to select a fan speed or to turn off the fan.



Note: If the pedals are not moved for a while when the main menu is selected, the fan will turn off automatically.

7. When you are finished exercising, unplug the power cord.

When you are finished exercising, press the power switch to the off position and unplug the power cord. **IMPORTANT: If you do not do this, the electrical components of the elliptical may wear prematurely.**

HOW TO USE AN ONBOARD WORKOUT

1. Begin pedaling or press any button on the console to turn on the console.

See HOW TO TURN ON THE POWER on page 16.

2. Select the main menu.

See step 2 on page 18.

3. Select an onboard workout.

To select an onboard workout, touch the runner button at the bottom of the screen. The workouts menu will appear on the screen.

Select the desired workout category from the workouts menu and then select the desired workout. Note: It may be necessary to scroll the screen to view all the menu options.

Note: You can also press the desired Workout Apps button on the console to view the workouts menu.

The screen will show the name and duration of the workout. The screen will also show the approximate number of calories you will burn during the workout and a profile of the resistance and incline settings of the workout.

4. Start the workout.

Touch the Start Workout button to start the workout.

Each workout is divided into segments. One resistance level, one incline level, and one target cadence (speed) are programmed for each segment.

During the workout, the profiles will show your progress. To view the profiles, flick or slide the screen.

During some workouts, the screen will show a map of the route and a marker indicating your progress. Touch the buttons on the screen to select the desired map options.

As you exercise, keep your pedaling speed near the target cadence for the current segment. The target zone meter will prompt you to increase, decrease, or maintain your pedaling speed. To view the target zone meter, flick or slide the screen. Note: The target cadence is displayed in revolutions per minute (rpm).

IMPORTANT: The target cadence is intended only to provide motivation. Your actual pedaling speed may be slower than the target cadence. Make sure to pedal at a speed that is comfortable for you.

If the resistance level and/or incline level for the current segment is too high or too low, you can manually override the setting by pressing the Quick Resistance buttons or the Quick Ramp buttons. **If you press a Quick Resistance button**, you can then manually control the resistance (see step 3 on page 18). **If you press a Quick Ramp button**, you can then manually control the incline (see step 3 on page 18). **To return to the programmed resistance and/or incline settings of the workout**, touch the Follow Workout button.

Note: The calorie goal is an estimate of the number of calories that you will burn during the workout. The actual number of calories that you burn will depend on various factors, such as your weight. In addition, if you manually change the resistance or the incline of the frame during the workout, the number of calories you burn will be affected.

To pause the workout, touch either the back button or the home button at the bottom of the screen. To continue the workout, touch the Resume button. To end the workout, touch the End Workout button.

The workout will continue in this way until the last segment ends. A workout summary will appear on the screen. After you view the workout summary, touch the Finish button to return to the main menu. You may also be able to either save or publish your results using one of the options on the screen.

5. Follow your progress.

See step 4 on page 18.

6. Measure your heart rate if desired.

See step 5 on page 18.

7. Turn on the fan if desired.

See step 6 on page 19.

8. When you are finished exercising, unplug the power cord.

See step 7 on page 19.

HOW TO USE A SET-A-GOAL WORKOUT

1. Begin pedaling or press any button on the console to turn on the console.

See HOW TO TURN ON THE POWER on page 16.

2. Select the main menu.

See step 2 on page 18.

3. Select a set-a-goal workout.

To select a set-a-goal workout, touch the Set A Goal button on the screen.

To set a customized goal for your workout, touch the button for the desired goal. Then, touch the increase and decrease buttons on the screen to enter your goal and to select other variables for the workout. The screen will show the duration and distance of the workout, and the approximate number of calories you will burn during the workout.

4. Start the workout.

Touch the Start button to start the workout.

The workout will function in the same way as the manual mode (see page 18).

As you exercise, keep your pedaling speed near the target cadence for the current segment. The target zone meter will prompt you to increase, decrease, or maintain your pedaling speed. To view the target zone meter, flick or slide the screen. Note: The target cadence is displayed in revolutions per minute (rpm).

IMPORTANT: The target cadence is intended only to provide motivation. Your actual pedaling speed may be slower than the target cadence. Make sure to pedal at a speed that is comfortable for you.

If the resistance level and/or incline level for the current segment is too high or too low, you can

manually override the setting by pressing the Quick Resistance buttons or the Quick Ramp buttons. **If you press a Quick Resistance button**, you can then manually control the resistance (see step 3 on page 18). **If you press a Quick Ramp button**, you can then manually control the incline (see step 3 on page 18). **To return to the programmed resistance and/or incline settings of the workout**, touch the Follow Workout button.

Note: If you manually change the resistance level or the incline level during a calorie goal workout, the length of the workout will adjust automatically to ensure that you meet your calorie goal.

Note: The calorie goal is an estimate of the number of calories that you will burn during the workout. The actual number of calories that you burn will depend on various factors, such as your weight. In addition, if you manually change the resistance or the incline of the frame during the workout, the number of calories you burn will be affected.

The workout will continue until you reach the goal that you set. A workout summary will appear on the screen. After you view the workout summary, touch the Finish button to return to the main menu. You may also be able to either save or publish your results using one of the options on the screen.

5. Follow your progress.

See step 4 on page 18.

6. Measure your heart rate if desired.

See step 5 on page 18.

7. Turn on the fan if desired.

See step 6 on page 19.

8. When you are finished exercising, unplug the power cord.

See step 7 on page 19.

HOW TO USE AN IFIT WORKOUT

To use an iFit workout, the console must be connected to a wireless network (see HOW TO USE THE WIRELESS NETWORK MODE on page 26). An iFit account is also required.

1. Add workouts to your schedule on iFit.com.

On your computer, smartphone, tablet, or other device, open an internet browser, go to www.iFit.com, and sign in to your iFit account.

Next, navigate to Menu > Library on the website. Browse the workout programs in the library and join the desired workouts.

Then, navigate to Menu > Schedule to view your schedule. All of the workouts that you have joined will appear on your schedule; you can arrange or delete the workouts on your schedule as desired.

Take time to explore the iFit.com website before you log out.

2. Begin pedaling or press any button on the console to turn on the console.

See HOW TO TURN ON THE POWER on page 16.

3. Select the main menu.

See step 2 on page 18.

4. Log in to your iFit account.

If you have not already done so, touch the Login button to log in to your iFit account. Enter your iFit.com username and password and touch the Login button.

To switch users within your iFit account, touch the user button at the bottom of the screen. If more than one user is associated with your iFit account, a list of users will appear. Touch the name of the desired user.

5. Select an iFit workout.

IMPORTANT: Before iFit workouts will download, you must add them to your schedule on iFit.com (see step 1).

To download an iFit workout from iFit.com to the console, touch the Map, Train, Video, or Lose

Wt. button. The next workout of that type in your schedule will then download. Note: You may be able to access demo workouts through these buttons, even if you do not log in to your iFit account.

To compete in a race or challenge that you have previously joined on iFit.com, touch the Compete button. **To view your workout history**, touch the Track button. **To use a set-a-goal workout**, touch the Set A Goal button (see page 21).

For more information about iFit workouts, please see www.iFit.com.

When you select an iFit workout, the screen will show the name and estimated duration of the workout. The screen will also show the approximate number of calories you will burn during the workout.

If the iFit workout is a race or challenge, the display will count down to the beginning of the race.

6. Start the workout.

See step 4 on page 19. During some workouts, an audio coach will guide you through your workout.

7. Follow your progress.

See step 4 on page 18. The screen may also show a map of the route and a marker indicating your progress. Touch the buttons on the screen to select the desired map options.

During a race or challenge, the screen will show your position in the race relative to other competitors.

8. Measure your heart rate if desired.

See step 5 on page 18.

9. Turn on the fan if desired.

See step 6 on page 19.

10. When you are finished exercising, unplug the power cord.

See step 7 on page 19.

For more information about iFit features, go to www.iFit.com.

HOW TO USE THE EQUIPMENT SETTINGS MODE

IMPORTANT: Some of the features described may not be enabled. Occasionally, a firmware update may cause your console to function slightly differently.

1. Select the settings main menu.

Turn on the console and select the main menu (see steps 1 and 2 on page 18). Then, touch the gears button at the bottom of the screen to select the settings main menu.

Note: You can also press the center (settings) button on the console to select the settings main menu.

2. Select the equipment settings mode.

In the settings main menu, touch the Equipment Settings button.

Note: It may be necessary to scroll the screen to view all the menu options.

3. Enable or disable the auto relogin feature.

Enable this feature to have the console automatically log in to your iFit account when you turn on the power. Note: This feature is recommended for private owners of the elliptical only.

To enable or disable the auto relogin feature, first touch the Auto Relogin button. Next, touch the Enable checkbox or the Disable checkbox. Then, touch the back button on the screen.

4. Enable or disable automatic console updates.

To enable or disable automatic console updates, first touch the Auto Update button. Next, touch the Enable checkbox or the Disable checkbox. Then, touch the back button on the screen.

Note: To select a time for automatic console updates, see step 12.

5. Enable or disable the internet browser.

To enable or disable the internet browser, first touch the Browser button. Next, touch the Enable checkbox or the Disable checkbox. Then, touch the back button on the screen.

6. Turn on or turn off the display demo mode.

The console features a display demo mode, designed to be used if the elliptical is displayed in a store. While the demo mode is turned on, the screen will show a preset presentation when the elliptical is not in use.

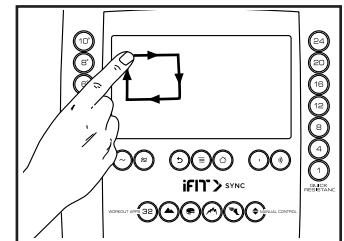
To turn on or turn off the display demo mode, first touch the Demo Mode button. Next, touch the On checkbox or the Off checkbox. Then, touch the back button on the screen.

7. Hide or display the gears button.

The console features an option to hide the gears button to prevent unauthorized users from accessing the settings main menu.

To hide or display the gears button, touch the Hide Settings button and select the desired checkbox. Then, follow the prompts on the screen.

IMPORTANT: To access the settings main menu when the gears button is hidden, draw a square clockwise on the screen.



8. Select a language.

To select a language, touch the Language button and select the desired language.

9. Enable or disable a passcode.

The console features a child safety passcode, designed to prevent unauthorized users from using the elliptical.

Touch the Passcode button. To enable a passcode, touch the Enable checkbox. Then, enter a 4-digit passcode of your choice. Touch Save to use this passcode. Touch Cancel to return to the equipment settings mode and not use a passcode. To disable the passcode, touch the Disable checkbox.

Note: If a passcode is enabled, the console will regularly ask for you to enter the passcode. The console will remain locked until the correct passcode is entered. **IMPORTANT: If you forget your passcode, enter the following master passcode to unlock the console: 1985.**

10. Enable or disable street view.

During some workouts, the screen may show a map. To enable or disable the street view feature of the maps, first touch the Street View button. Next, touch the Enable checkbox or the Disable checkbox. Then, touch the back button on the screen.

11. Select a time zone.

To select a time zone, touch the Timezone button and select the desired time zone. Then, touch the back button on the screen.

12. Select an update time.

To select a time for automatic console updates, touch the Update Time button and select the desired time. Then, touch the back button on the screen.

When you select an update time, you must also enable automatic console updates (see step 4).

IMPORTANT: You must still unplug the power cord after using your elliptical. Set the update time for a time when you normally use your elliptical and will be available to unplug the power cord after an update.

13. Select the unit of measurement.

Touch the US/Metric button to view the selected unit of measurement. Next, touch the checkbox for the desired unit of measurement. Then, touch the back button on the screen.

14. Exit the equipment settings mode.

To exit the equipment settings mode, press the back button on the console or touch the back button on the screen.

HOW TO USE THE MAINTENANCE MODE

IMPORTANT: Some of the features described may not be enabled. Occasionally, a firmware update may cause your console to function slightly differently.

1. Select the settings main menu.

See step 1 on page 23.

2. Select the maintenance mode.

In the settings main menu, touch the Maintenance button to enter the maintenance mode.

The maintenance mode main screen will show information about the console and the wireless network.

3. Update the console firmware.

For the best results, regularly check for firmware updates.

Touch the Firmware Update button to check for firmware updates using your wireless network. The update will begin automatically.

IMPORTANT: To avoid damaging the elliptical, do not turn off the power while the firmware is being updated.

The screen will show the progress of the update. When the update is complete, the elliptical will turn off and then turn back on. If it does not, press the power switch into the off position. Wait for several seconds, and then press the power switch into the reset position. Note: It may take a few minutes for the console to be ready for use.

Note: Occasionally, a firmware update may cause your console to function slightly differently. These updates are always designed to improve your exercise experience.

4. Calibrate the incline system.

Touch the Calibrate Incline button. Then, touch the Begin button to calibrate the incline system. The frame will automatically rise to the maximum incline level, lower to the minimum incline level, and then return to the starting position. This will calibrate the incline system. Press the Cancel button to return to the maintenance mode. When the incline is calibrated, touch the Finish button.

IMPORTANT: Keep pets, feet, and other objects away from the elliptical while the incline is calibrating.

5. View machine information.

Touch the Machine Info button to view information about your elliptical. After you view the information, touch the back button on the screen.

6. Find keycodes.

This option is intended to be used by service technicians to identify whether a certain button is working correctly.

7. Enter a custom IP address.

If your network does not automatically generate IP addresses, touch the Custom IP button to enter a custom IP address.

8. Reset the console to the factory default settings.

Touch the Factory Reset button and follow the instructions on the screen to reset the console to the factory default settings. **IMPORTANT: If you reset the console, you will lose all of your custom console settings.**

9. Exit the maintenance mode.

To exit the maintenance mode, press the back button on the console or touch the back button on the screen.

HOW TO USE THE WIRELESS NETWORK MODE

The console features a wireless network mode that allows you to set up a wireless network connection.

Note: You must have your own wireless network and an 802.11b/g/n router with SSID broadcast enabled (hidden networks are not supported).

1. Select the settings main menu.

See step 1 on page 23.

2. Select the wireless network mode.

In the settings main menu, touch the Network Setup button to enter the wireless network mode.

Note: You can also touch the wireless symbol to enter the wireless network mode.

3. Enable Wi-Fi.

Make sure that the Wi-Fi checkbox is marked with a green checkmark. If it is not, touch the Wi-Fi menu option once and wait for a few seconds. The console will search for available wireless networks.

4. Set up and manage a wireless network connection.

When Wi-Fi® is enabled, the screen will show a list of available networks. Note: It may take several seconds for the list of wireless networks to appear.

Make sure that the checkbox on the Network notification menu option is marked with a green checkmark to have the console notify you when a wireless network is within range and available.

When a list of networks appears, touch the desired network. Note: You will need to know your network

name (SSID). If your network has a password, you will also need to know the password.

An information box will ask if you want to connect to the wireless network. Touch the Connect button to connect to the network or touch the Cancel button to return to the list of networks. If the network has a password, touch the password entry box. A keyboard will appear on the screen. To view the password as you type it, touch the Show Password checkbox.

To use the keyboard, see HOW TO USE THE TOUCH SCREEN on page 17.

When the console is connected to your wireless network, the WiFi menu option at the top of the screen will display the word CONNECTED.

To disconnect from a wireless network, select the wireless network and then touch the Forget button.

If you are having problems connecting to an encrypted network, make sure that your password is correct. Note: Passwords are case-sensitive.

Note: The iFit mode supports unsecured and secured (WEP, WPA™, and WPA2™) encryption. A broadband connection is recommended; performance depends on connection speed.

Note: If you have questions after following these instructions, go to support.iFit.com for assistance.

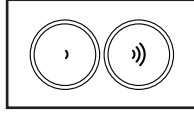
5. Exit the wireless network mode.

To exit the wireless network mode, press the back button on the console or touch the back button on the screen.

HOW TO USE THE SOUND SYSTEM

To play music or audio books through the console sound system while you exercise, plug a 3.5 mm male to 3.5 mm male audio cable (not included) into the jack on the console and into a jack on your personal audio player; **make sure that the audio cable is fully plugged in. Note: To purchase an audio cable, see your local electronics store.**

Next, press the play button on your personal audio player. Adjust the volume level using the volume increase and decrease buttons on the console or the volume control on your personal audio player.



HOW TO USE THE INTERNET BROWSER

Note: To use the internet browser, you must have access to a wireless network including a wireless router (802.11b/g/n) with SSID broadcast enabled (hidden networks are not supported).

To open the internet browser, touch the globe button at the bottom of the screen. Then, select a website.

To navigate the internet browser, touch the Back, Refresh, and Forward buttons on the screen. To exit the internet browser, touch the Return button on the screen.

To use the keyboard, see HOW TO USE THE TOUCH SCREEN on page 17.

To enter a different web address in the URL bar, first, slide your finger down the screen to view the URL bar, if necessary. Then, touch the URL bar, use the keyboard to enter the address, and touch the Go button.

Note: While you are using the internet browser, the resistance, incline, fan, and volume buttons will still function, but the workout buttons will not function.

Note: If you have questions after following these instructions, go to support.iFit.com for assistance.

FCC INFORMATION

This equipment has been tested and found to comply with the limits for a Class B digital device, pursuant to part 15 of the FCC Rules. These limits are designed to provide reasonable protection against harmful interference in a residential installation. This equipment generates, uses, and can radiate radio frequency energy and, if not installed and used in accordance with the instructions, may cause harmful interference to radio communications. However, there is no guarantee that interference will not occur in a particular installation. If this equipment does cause harmful interference to radio or television reception, which can be determined by turning the equipment off and on, try to correct the interference by one or more of the following measures:

- Reorient or relocate the receiving antenna.
- Increase the separation between the equipment and the receiver.
- Connect the equipment into an outlet on a circuit different from that to which the receiver is connected.
- Consult the dealer or an experienced radio/TV technician for help.

FCC CAUTION: To assure continued compliance, use only shielded interface cables when connecting to computer or peripheral devices. Changes or modifications not expressly approved by the party responsible for compliance could void the user's authority to operate this equipment.

IMPORTANT: To satisfy exposure compliance requirements, the antenna and transmitter in the console must be at least 8 in. (20 cm) from all persons and must not be near or connected to any other antenna or transmitter.

Note: The console contains FCC ID: OMC339918 and FCC ID: OMCIABR12.

MAINTENANCE AND TROUBLESHOOTING

MAINTENANCE

Regular maintenance is important for optimal performance and to reduce wear. Inspect and properly tighten all parts each time the elliptical is used. Replace any worn parts immediately.

To clean the elliptical, use a damp cloth and a small amount of mild soap. **IMPORTANT: To avoid damage to the console, keep liquids away from the console and keep the console out of direct sunlight.**

CONSOLE TROUBLESHOOTING

If the console does not turn on, make sure that the power cord is fully plugged in.

If the console does not display your heart rate when you hold the handgrip heart rate monitor, or if the displayed heart rate appears to be too high or too low, see step 5 on page 18.

If the console does not display your heart rate when you use the chest heart rate monitor, see TROUBLESHOOTING on page 11.

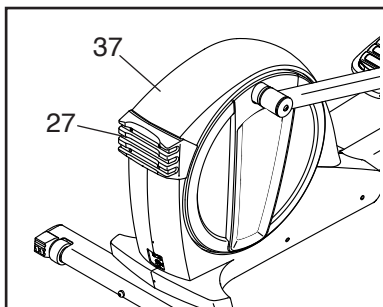
INCLINE SYSTEM TROUBLESHOOTING

If the frame does not move to the correct incline level, see step 4 on page 25 and calibrate the incline system.

HOW TO ADJUST THE REED SWITCH

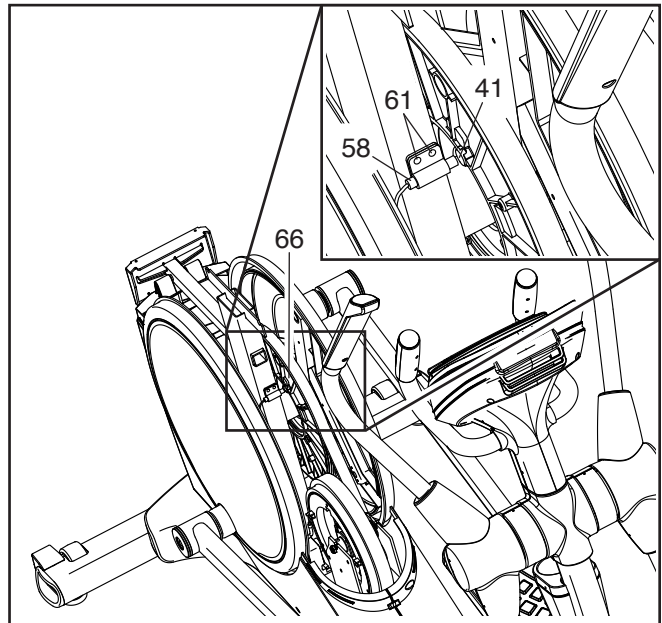
If the console does not display correct feedback, the reed switch should be adjusted. To adjust the reed switch, first **press the power switch to the off position and unplug the power cord.**

Next, remove the four M4 x 16mm Screws (not shown) from the Large Storage Foot (27), and then remove the Large Storage Foot. Then, remove the two



M4 x 16mm Screws (not shown) from the Top Shield (37), and use a standard screwdriver to pry the Top Shield upward off the elliptical.

Then, look into the access opening and locate the Reed Switch (58). Rotate the Pulley (66) until a Magnet (41) is aligned with the Reed Switch.



Slightly loosen the two indicated M4 x 16mm Screws (61). Slide the Reed Switch (58) slightly toward or away from the Magnet (41), and then retighten the Screws.

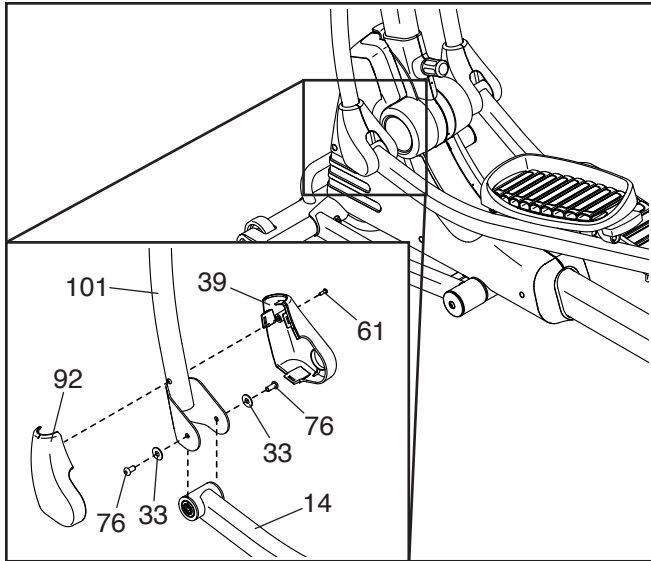
Next, plug in the power cord, press the power switch to the reset position, and rotate the pulley for a moment. Repeat these actions until the console displays correct feedback.

When the reed switch is correctly adjusted, press the power switch to the off position, unplug the power cord and reattach the top shield and the large storage foot. Then, plug in the power cord.

HOW TO ADJUST THE DRIVE BELT

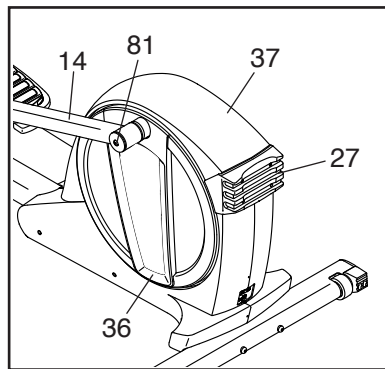
If the pedals slip while you are pedaling, even while the resistance is adjusted to the highest setting, the drive belt may need to be adjusted. To adjust the drive belt, first **press the power switch to the off position and unplug the power cord.**

Next, remove the indicated M4 x 16mm Screw (61), the Left Leg Inner Cover (39), and the Left Leg Outer Cover (92).



Then, remove the two M8 x 16mm Hex Screws (76) and the two M8 Washers (33) from the Left Upper Body Leg (101) and the Left Pedal Arm (14).

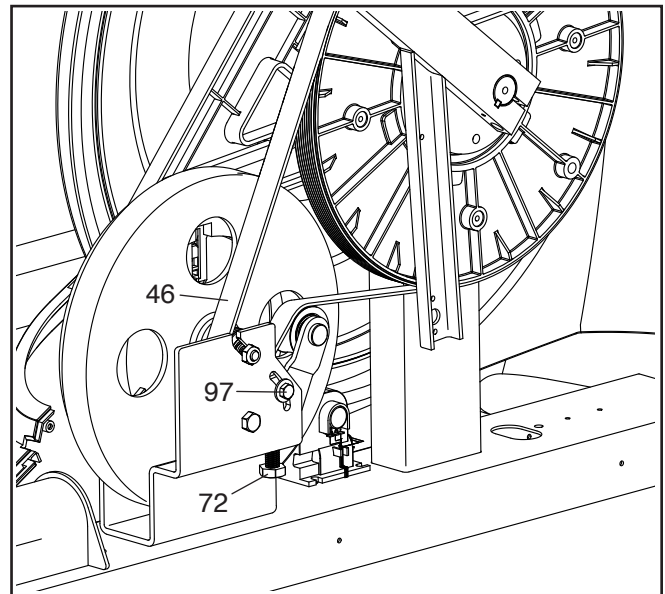
Next, remove the M8 x 14mm Shoulder Screw (81) from the Left Pedal Arm (14), and remove the Left Pedal Arm from the elliptical.



See the lower drawing at the left. Remove the four M4 x 16mm Screws (not shown) from the Large Storage Foot (27), and remove the Large Storage Foot. Next, remove the two M4 x 16mm Screws (not shown) from the Top Shield (37), and then use a standard screwdriver to pry the Top Shield upward off the elliptical. Then, pry the left Pedal Disc (36) off the elliptical.

See EXPLODED DRAWING C on page 35. Identify the Left and Right Shields (44, 45). Remove all of the M4 x 16mm Screws (61) and 3/16" x 1 1/2" Screws (64) from the Left and Right Shields. **Make sure to note which size Screws come from which holes.** Then, carefully remove the Left Shield.

Next, loosen the Idler Screw (97). Tighten the Idler Adjustment Screw (72) until the Drive Belt (46) is tight. Then, retighten the Idler Screw.



When you are finished, reattach all of the parts that you removed. Then, plug in the power cord.

EXERCISE GUIDELINES

⚠️ WARNING: Before beginning this or any exercise program, consult your physician. This is especially important for persons over age 35 or persons with pre-existing health problems.

The heart rate monitor is not a medical device. Various factors may affect the accuracy of heart rate readings. The heart rate monitor is intended only as an exercise aid in determining heart rate trends in general.

These guidelines will help you to plan your exercise program. For detailed exercise information, obtain a reputable book or consult your physician. Remember, proper nutrition and adequate rest are essential for successful results.

EXERCISE INTENSITY

Whether your goal is to burn fat or to strengthen your cardiovascular system, exercising at the proper intensity is the key to achieving results. You can use your heart rate as a guide to find the proper intensity level. The chart below shows recommended heart rates for fat burning and aerobic exercise.

165	155	145	140	130	125	115	♥
145	138	130	125	118	110	103	♥
125	120	115	110	105	95	90	♥
<hr/>							
20	30	40	50	60	70	80	

To find the proper intensity level, find your age at the bottom of the chart (ages are rounded off to the nearest ten years). The three numbers listed above your age define your “training zone.” The lowest number is the heart rate for fat burning, the middle number is the heart rate for maximum fat burning, and the highest number is the heart rate for aerobic exercise.

Burning Fat—To burn fat effectively, you must exercise at a low intensity level for a sustained period of time. During the first few minutes of exercise, your body uses carbohydrate calories for energy. Only after the first few minutes of exercise does your body begin to use stored fat calories for energy. If your goal is to burn fat, adjust the intensity of your exercise until your heart rate is near the lowest number in your training zone. For maximum fat burning, exercise with your heart rate near the middle number in your training zone.

Aerobic Exercise—If your goal is to strengthen your cardiovascular system, you must perform aerobic exercise, which is activity that requires large amounts of oxygen for prolonged periods of time. For aerobic exercise, adjust the intensity of your exercise until your heart rate is near the highest number in your training zone.

WORKOUT GUIDELINES

Warming Up—Start with 5 to 10 minutes of stretching and light exercise. A warm-up increases your body temperature, heart rate, and circulation in preparation for exercise.

Training Zone Exercise—Exercise for 20 to 30 minutes with your heart rate in your training zone. (During the first few weeks of your exercise program, do not keep your heart rate in your training zone for longer than 20 minutes.) Breathe regularly and deeply as you exercise; never hold your breath.

Cooling Down—Finish with 5 to 10 minutes of stretching. Stretching increases the flexibility of your muscles and helps to prevent post-exercise problems.

EXERCISE FREQUENCY

To maintain or improve your condition, complete three workouts each week, with at least one day of rest between workouts. After a few months of regular exercise, you may complete up to five workouts each week, if desired. Remember, the key to success is to make exercise a regular and enjoyable part of your everyday life.

PART LIST

Model No. PFEL09716.0 R1216A

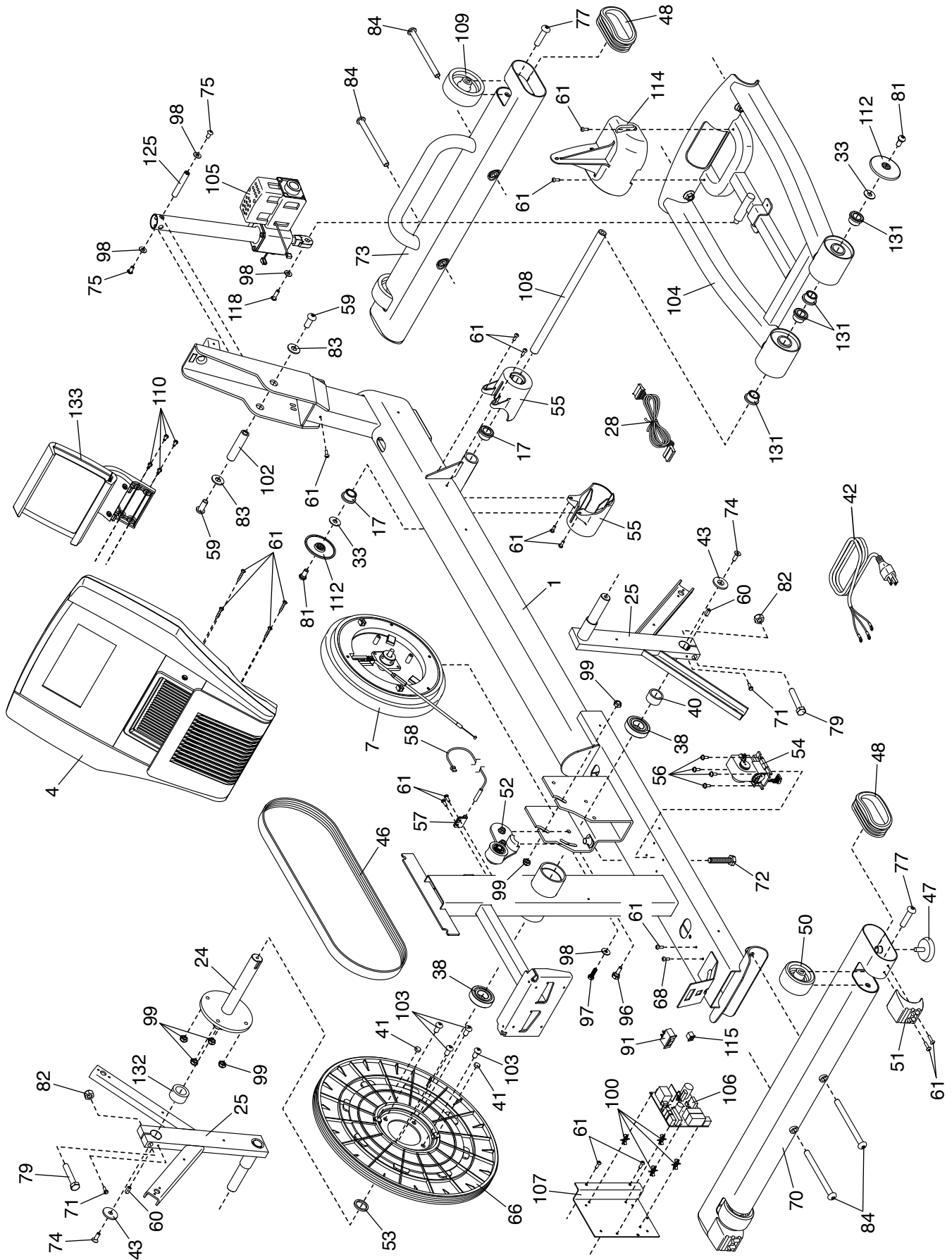
Key No.	Qty.	Description	Key No.	Qty.	Description
1	1	Frame	51	2	Small Storage Foot
2	1	Upright	52	1	Idler
3	1	Rear Upright Cover	53	1	Small Spacer
4	1	Console	54	1	Resistance Motor
5	1	Accessory Tray	55	2	Axle Cover
6	1	Right Upper Body Leg	56	4	M4 x 12mm Washer Head Screw
7	1	Eddy Mechanism	57	1	Clamp
8	1	Left Upper Body Arm	58	1	Reed Switch/Wire
9	1	Right Upper Body Arm	59	2	M10 x 20mm Hex Screw
10	2	Grip	60	2	Key
11	1	Right Leg Front Cover	61	75	M4 x 16mm Screw
12	1	Left Pedal	62	2	M4 x 30mm Screw
13	1	Right Pedal	63	2	Pulse Grip
14	1	Left Pedal Arm	64	6	3/16" x 1 1/2" Screw
15	1	Right Leg Rear Cover	65	7	3/16" x 3/4" Screw
16	1	Front Upright Cover	66	1	Pulley
17	6	Pivot Bushing	67	2	M4 x 15mm Screw
18	1	Left Leg Front Cover	68	1	M4 x 16mm Ground Screw
19	1	Left Leg Rear Cover	69	1	Pulse Wire
20	2	Upper Body Arm Cover	70	1	Rear Stabilizer
21	1	Tray Housing	71	2	M4 x 12mm Screw
22	1	Right Leg Outer Cover	72	1	Idler Adjustment Screw
23	4	Pedal Arm Bushing	73	1	Front Stabilizer
24	1	Crank	74	2	M6 x 12mm Flat Head Screw
25	2	Crank Arm	75	10	M6 x 12mm Screw
26	2	Pedal Disc Insert	76	6	M8 x 16mm Hex Screw
27	1	Large Storage Foot	77	4	M10 x 60mm Screw
28	1	Main Wire	78	2	M10 x 45mm Hex Screw
29	4	Pedal Arm Bearing	79	2	Crank Arm Bolt
30	2	Pedal Arm Cap	80	1	M6 x 25mm Shoulder Screw
31	2	Pedal Arm Axle	81	4	M8 x 14mm Shoulder Screw
32	1	Right Leg Inner Cover	82	2	Crank Arm Nut
33	10	M8 Washer	83	2	M10 Washer
34	1	Left Front Shield	84	4	M10 x 120mm Screw
35	1	Right Front Shield	85	1	Upright Knob
36	2	Pedal Disc	86	1	Right Upright Cover
37	1	Top Shield	87	1	Left Upright Cover
38	2	Frame Bearing	88	1	M5 x 5mm Screw
39	1	Left Leg Inner Cover	89	1	Latch Release
40	1	Large Spacer	90	1	Latch
41	2	Magnet	91	1	Power Switch
42	1	Power Cord	92	1	Left Leg Outer Cover
43	2	Crank Arm Washer	93	1	Front Console Cover
44	1	Left Shield	94	1	Rear Console Cover
45	1	Right Shield	95	2	M10 x 50mm Screw
46	1	Drive Belt	96	1	Pivot Screw
47	2	Leveling Foot	97	1	Idler Screw
48	4	Stabilizer Cap	98	8	M6 Washer
49	1	Right Pedal Arm	99	6	M8 Locknut
50	2	Small Wheel	100	4	Standoff

Key No.	Qty.	Description	Key No.	Qty.	Description
101	1	Left Upper Body Leg	119	1	Right Pedal Pad
102	1	Upright Axle	120	1	Left Pedal Pad
103	4	M8 x 20mm Hex Bolt	121	1	Right Pedal Handle
104	1	Lift Frame	122	1	Left Pedal Handle
105	1	Lift Motor	123	1	Right Pedal Plate
106	1	Control Board	124	1	Left Pedal Plate
107	1	Control Board Bracket	125	1	Lift Motor Axle
108	1	Lift Frame Axle	126	2	Spring
109	2	Large Wheel	127	2	M6 Acorn Nut
110	4	Tablet Holder Screw	128	2	Pin
111	1	Left Lift Motor Cover	129	2	Grip Control Wire
112	2	Incline Frame Cap	130	1	Heart Rate Monitor
113	14	Mount/Screw	131	4	Lift Frame Bushing
114	1	Lift Frame Cover	132	1	Crank Spacer
115	1	Grommet	133	1	Tablet Holder
116	2	M10 x 140mm Bolt	134	1	Right Lift Motor Cover
117	2	M10 Locknut	*	–	User's Manual
118	1	M6 x 16mm Screw	*	–	Assembly Tool

Note: Specifications are subject to change without notice. For information about ordering replacement parts, see the back cover of this manual. *These parts are not illustrated.

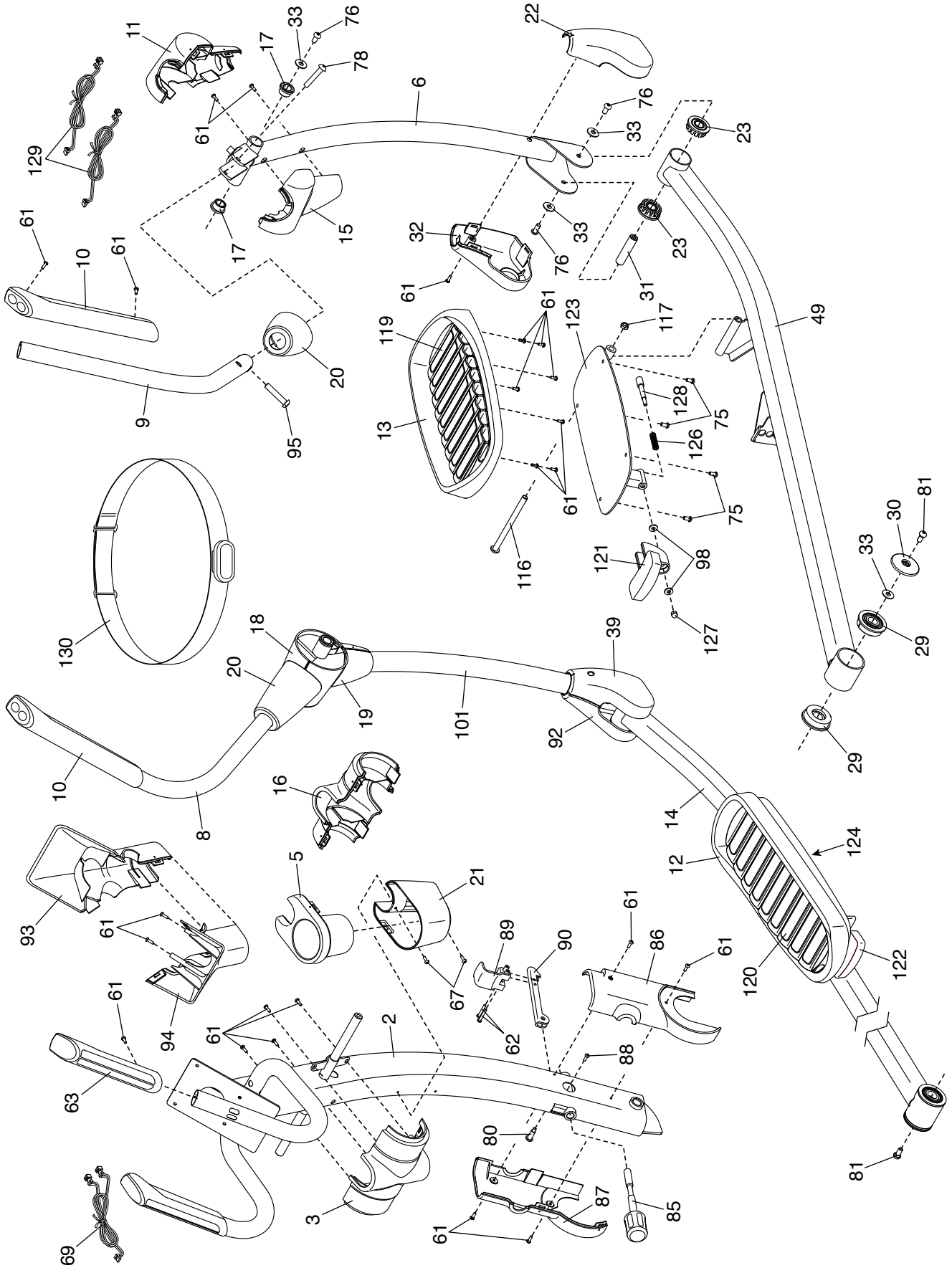
EXPLODED DRAWING A

Model No. PFEL09716.0 R1216A



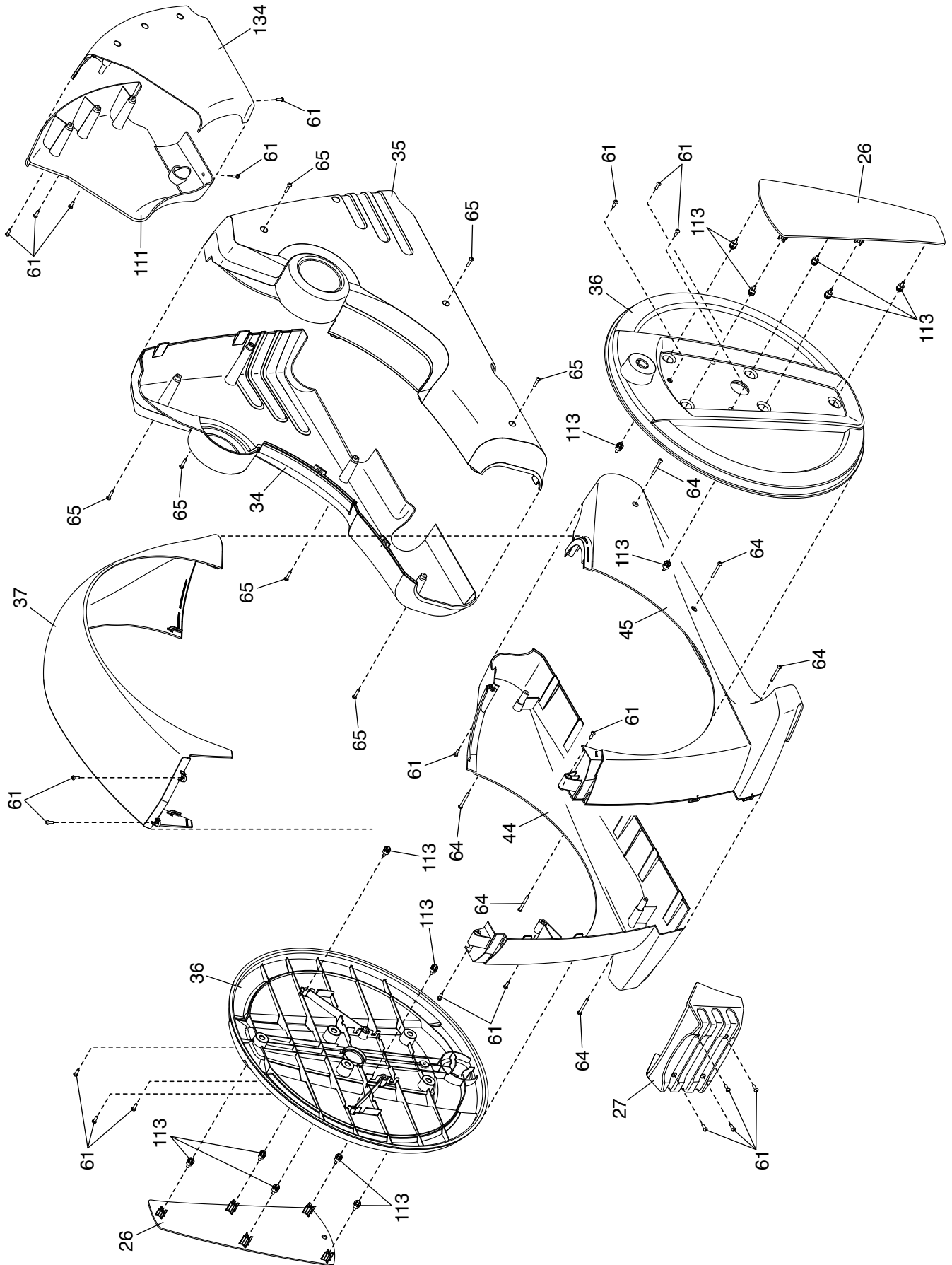
EXPLODED DRAWING B

Model No. PFEL09716.0 R1216A



EXPLODED DRAWING C

Model No. PFEL09716.0 R1216A



ORDERING REPLACEMENT PARTS

To order replacement parts, see the front cover of this manual. To help us assist you, please be prepared to provide the following information when contacting us:

- the model number and serial number of the product (see the front cover of this manual)
- the name of the product (see the front cover of this manual)
- the key number and description of the replacement part(s) (see the PART LIST and the EXPLODED DRAWING near the end of this manual)

LIMITED WARRANTY

IMPORTANT: To protect your fitness equipment with an extended service plan, see page 6.

ICON Health & Fitness, Inc. (ICON) warrants this product to be free from defects in workmanship and material, under normal use and service conditions. The frame is warranted for the lifetime of the original purchaser (customer). Parts are warranted for three (3) years from the date of purchase. Labor is warranted for one (1) year from the date of purchase.

This warranty extends only to the original purchaser (customer). ICON's obligation under this warranty is limited to repairing or replacing, at ICON's option, the product through one of its authorized service centers. All repairs for which warranty claims are made must be preauthorized by ICON. If the product is shipped to a service center, freight charges to and from the service center will be the customer's responsibility. If replacement parts are shipped while the product is under warranty, the customer will be responsible for a minimal handling charge. For in-home service, the customer will be responsible for a minimal trip charge. This warranty does not extend to freight damage to the product. This warranty will automatically be voided if the product is used as a store display model, if the product is purchased or transported outside the USA, if all instructions in this manual are not followed, if the product is abused or improperly or abnormally used, or if the product is used for commercial or rental purposes. No other warranty beyond that specifically set forth above is authorized by ICON.

ICON is not responsible or liable for indirect, special, or consequential damages arising out of or in connection with the use or performance of the product; damages with respect to any economic loss, loss of property, loss of revenues or profits, loss of enjoyment or use, or costs of removal or installation; or other consequential damages of any kind. Some states do not allow the exclusion or limitation of incidental or consequential damages. Accordingly, the above limitation may not apply to the customer.

The warranty extended hereunder is in lieu of any and all other warranties, and any implied warranties of merchantability or fitness for a particular purpose are limited in their scope and duration to the terms set forth herein. Some states do not allow limitations on how long an implied warranty lasts. Accordingly, the above limitation may not apply to the customer.

This warranty provides specific legal rights; the customer may have other rights that vary from state to state.

ICON Health & Fitness, Inc., 1500 S. 1000 W., Logan, UT 84321-9813