

# PRO-FORM<sup>®</sup>

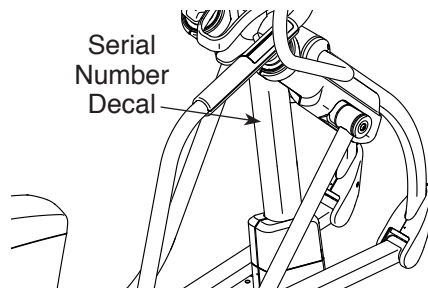
## 16.0 MME

www.proform.com

Model No. PFEL59915.0

Serial No. \_\_\_\_\_

Write the serial number in the space above for reference.



## USER'S MANUAL

### ACTIVATE YOUR WARRANTY

To register your product and activate your warranty today, go to [www.proformservice.com/registration](http://www.proformservice.com/registration).

### CUSTOMER CARE

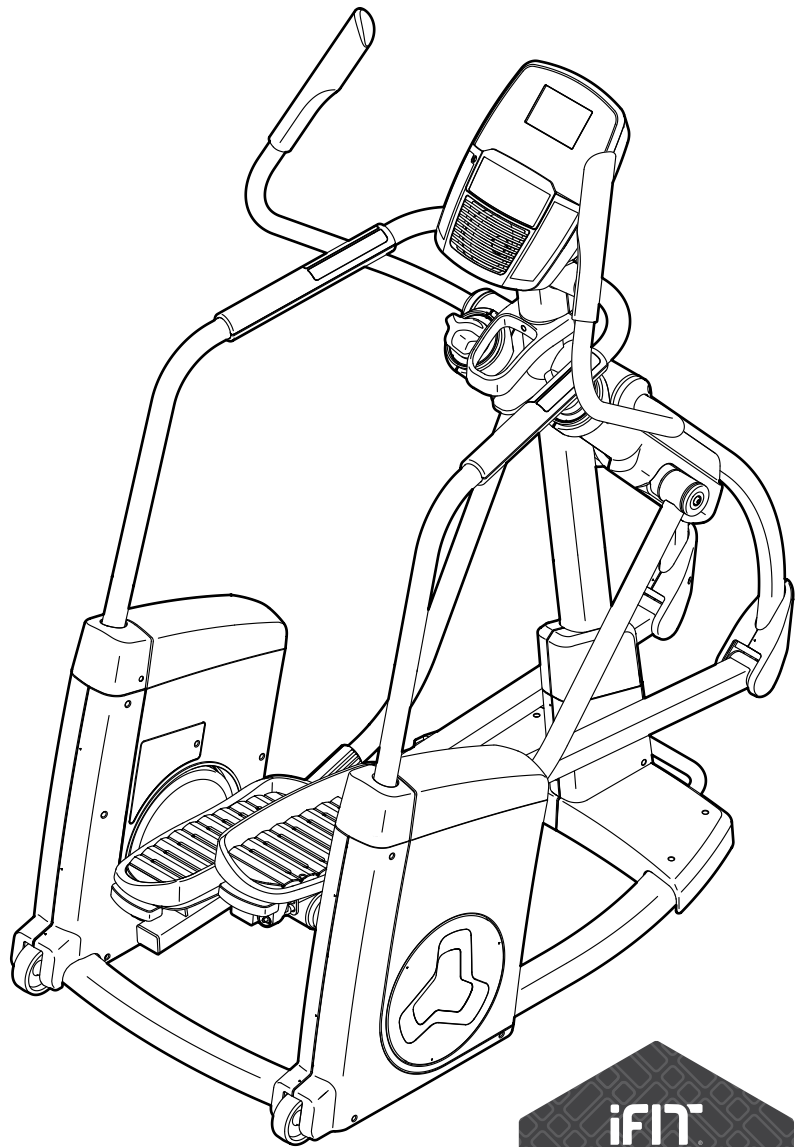
For service at any time, go to [www.proformservice.com](http://www.proformservice.com).

Or call 1-888-533-1333  
Mon.–Fri. 6 a.m.–6 p.m. MT  
Sat. 8 a.m.–12 p.m. MT

Please do not contact the store.

### ⚠ CAUTION

Read all precautions and instructions in this manual before using this equipment. Keep this manual for future reference.



# TABLE OF CONTENTS

WARNING DECAL PLACEMENT ..... 2

IMPORTANT PRECAUTIONS..... 3

BEFORE YOU BEGIN..... 6

PART IDENTIFICATION CHART..... 7

ASSEMBLY..... 8

HOW TO USE THE ELLIPTICAL..... 15

FCC INFORMATION..... 26

MAINTENANCE AND TROUBLESHOOTING..... 27

EXERCISE GUIDELINES..... 29

PART LIST..... 31

EXPLODED DRAWING..... 33

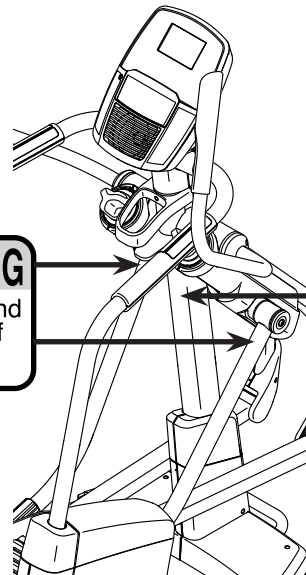
ORDERING REPLACEMENT PARTS ..... Back Cover

LIMITED WARRANTY..... Back Cover

## WARNING DECAL PLACEMENT


This drawing shows the location(s) of the warning decal(s). **If a decal is missing or illegible, see the front cover of this manual and request a free replacement decal. Apply the decal in the location shown.** Note: The decal(s) may not be shown at actual size.

**WARNING**  
Keep hands and fingers clear of this area.



**WARNING**

- Misuse of this machine may result in serious injury.
- Read user's manual prior to use and follow all warnings and instructions.
- Do not allow children on or around machine.
- Pedals continue to spin when you stop pedaling.
- Spinning pedals can cause injury.
- Reduce pedal speed in a controlled manner.
- User weight must not exceed 350 pounds.
- Replace label if damaged, illegible, or removed.



The BLUETOOTH® word mark and logos are registered trademarks of Bluetooth SIG, Inc. and are used under license. Google Maps is a trademark of Google Inc. IFIT is a registered trademark of ICON Health & Fitness, Inc. PROFORM is a registered trademark of ICON Health & Fitness, Inc.

# IMPORTANT PRECAUTIONS

**⚠️ WARNING:** To reduce the risk of serious injury, read all important precautions and instructions in this manual and all warnings on your elliptical before using your elliptical. ICON assumes no responsibility for personal injury or property damage sustained by or through the use of this product.

1. It is the responsibility of the owner to ensure that all users of the elliptical are adequately informed of all precautions.
2. Before beginning any exercise program, consult your physician. This is especially important for persons over age 35 or persons with pre-existing health problems.
3. The elliptical is not intended for use by persons with reduced physical, sensory, or mental capabilities or lack of experience and knowledge, unless they are given supervision or instruction about use of the elliptical by someone responsible for their safety.
4. Use the elliptical only as described in this manual.
5. The elliptical is intended for home use only. Do not use the elliptical in a commercial, rental, or institutional setting.
6. Keep the elliptical indoors, away from moisture and dust. Do not put the elliptical in a garage or covered patio, or near water.
7. Place the elliptical on a level surface, with at least 3 ft. (0.9 m) of clearance in the front and rear of the elliptical and 2 ft. (0.6 m) on each side. To protect the floor or carpet from damage, place a mat under the elliptical.
8. Inspect and properly tighten all parts each time the elliptical is used. Replace any worn parts immediately.
9. Keep children under age 13 and pets away from the elliptical at all times.
10. The elliptical should not be used by persons weighing more than 350 lbs. (159 kg).
11. Wear appropriate clothes while exercising; do not wear loose clothes that could become caught on the elliptical. Always wear athletic shoes for foot protection while exercising.
12. Hold the handlebars or the handrails when mounting, dismounting, or using the elliptical.
13. The heart rate monitor is not a medical device. Various factors may affect the accuracy of heart rate readings. The heart rate monitor is intended only as an exercise aid in determining heart rate trends in general.
14. The elliptical does not have a freewheel; the pedals will continue to move until the flywheel stops. Reduce your pedaling speed in a controlled way.
15. Keep your back straight while using the elliptical; do not arch your back.
16. Over exercising may result in serious injury or death. If you feel faint, if you become short of breath, or if you experience pain while exercising, stop immediately and cool down.

# MAKE YOUR FITNESS GOALS A **REALITY**

**iFIT**®

Congratulations on the purchase of your new iFit® compatible fitness equipment. You're just one click away from making your fitness goals a reality.

**GO TO IFIT.COM TO GET STARTED**

## **DO MORE THAN JUST WORK OUT**

iFit® is the most powerful training tool available to help you accomplish all of your fitness goals. From weight loss and performance to personalized training programs, iFit® is the key to getting more out of everything you do. Some features require paid subscription.



### **LOSE WEIGHT**

Stay on track and motivated with progressive weight loss programs with our trainers, including Jillian Michaels.



### **COMPETE WITH OTHERS**

Push yourself to new limits with real-time virtual races.



### **PERSONALIZED EVENT TRAINING**

5k, 10k, half or full marathon training will help you prepare for your event.



### **GO MOBILE**

Track your workout anywhere you go with iFit® mobile apps.



### **MAP YOUR ROUTE**

With Google Maps™, your fitness equipment will simulate the earth's terrain while displaying Street View during your workout.



### **SHARE YOUR PROGRESS**

Inspire others, motivate yourself and share routes, workouts and more.

GO TO

**IFIT.COM**

OR CALL

**877-236-1009**

# PROTECT

YOUR FITNESS EQUIPMENT  
WITH AN EXTENDED SERVICE PLAN



Your new fitness equipment is not an ordinary purchase; it is an investment in your health and well being for years to come.

As the leading provider of manufacturer's extended service plans, ICON strives to protect your equipment and your future.

Please review the following service plans and find one that best fits your needs.

## PREVENTIVE MAINTENANCE SERVICE PLANS

Equipment Price	3-Year Plan	5-Year Plan
\$0.00 to \$1000.00	\$199.99	\$289.99
\$1001.00 to \$1500.00	\$259.99	\$379.99
\$1501.00 to \$2500.00	\$339.99	\$489.99
(Bikes/Systems Only) \$0.00 to \$2500.00	\$139.99	NA

Features:

- Includes an annual preventive maintenance and performance check at your convenience
- Unlimited in-home repairs; no shipping required
- Covers parts and labor on all manufacturer's defects, as well as wear and tear on parts
- Up to 5 years of coverage available

## STANDARD SERVICE PLANS

Equipment Price	1-Year Plan	2-Year Plan	3-Year Plan
\$0.00 to \$300.00	\$29.99	\$39.99	\$59.99
\$301.00 to \$1000.00	\$89.99	\$119.99	\$149.99
\$1001.00 to \$2000.00	\$109.99	\$139.99	\$179.99
\$2001.00 to \$3000.00	\$179.99	\$209.99	\$239.99

Features:

- Unlimited in-home repairs; no shipping required
- Covers parts and labor on all manufacturer's defects, as well as wear and tear on parts
- Up to 3 years of coverage available

To protect your fitness equipment today, please  
call Customer Care at **1-800-677-3838.**  
Or, visit us online at **www.utserv.com.**



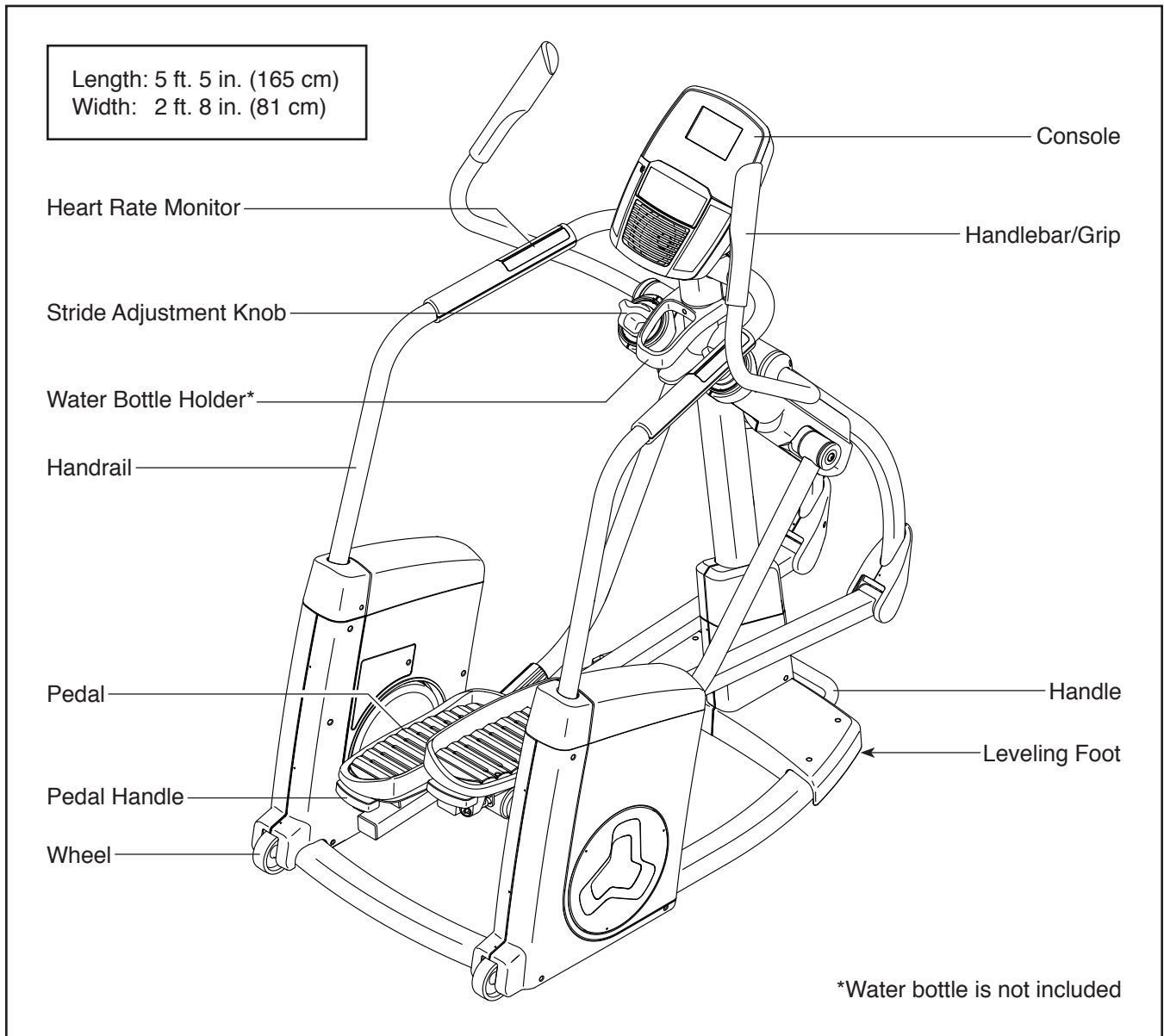
# BEFORE YOU BEGIN

Thank you for selecting the revolutionary PROFORM® 16.0 MME elliptical. The 16.0 MME elliptical provides an impressive selection of features designed to make your workouts at home more effective and enjoyable.

**For your benefit, read this manual carefully before you use the elliptical.** If you have questions after reading this manual, please see the front cover of this

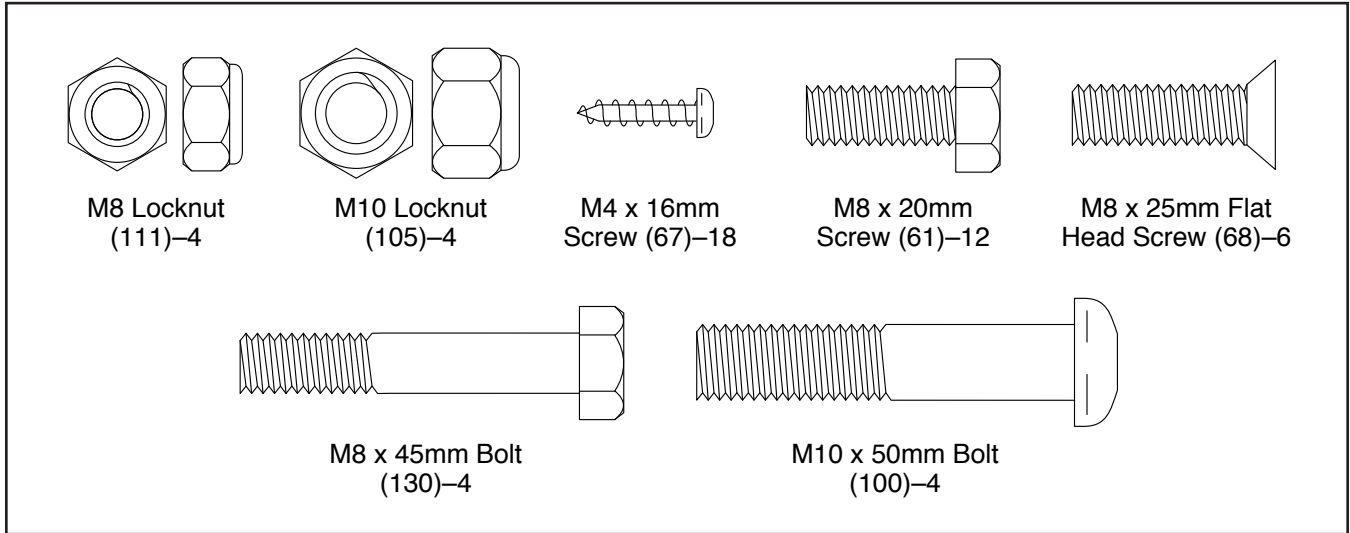
manual. To help us assist you, note the product model number and serial number before contacting us. The model number and the location of the serial number decal are shown on the front cover of this manual.

Before reading further, please familiarize yourself with the parts that are labeled in the drawing below.



# PART IDENTIFICATION CHART

Use the drawings below to identify the small parts needed for assembly. The number in parentheses below each drawing is the key number of the part, from the PART LIST near the end of this manual. The number following the key number is the quantity needed for assembly. **Note: If a part is not in the hardware kit, check to see if it has been preassembled. Extra parts may be included.**



# ASSEMBLY

- To hire an authorized service technician to assemble this product, call 1-800-445-2480. Assembly requires two persons.
- Place all parts in a cleared area and remove the packing materials. Do not dispose of the packing materials until you finish all assembly steps.
- Left parts are marked “L” or “Left” and right parts are marked “R” or “Right.”
- To identify small parts, see page 7.

- In addition to the included tool(s), assembly requires the following tools:

one Phillips screwdriver 

one rubber mallet 

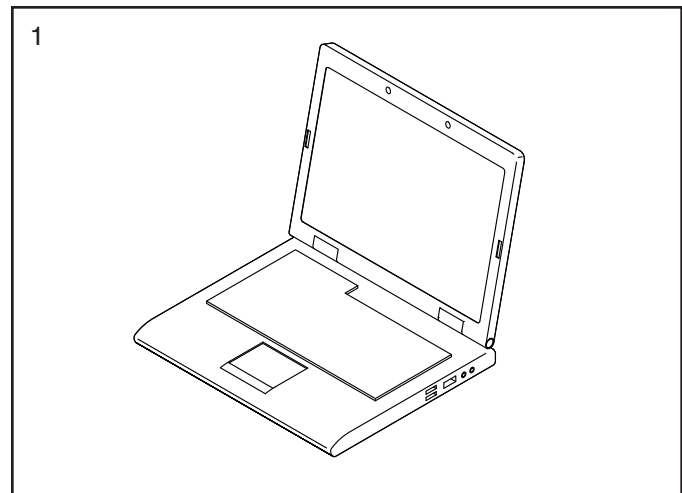
one adjustable wrench 

Assembly may be easier if you have a set of wrenches. To avoid damaging parts, do not use power tools.

1. **Go to [www.proformservice.com/registration](http://www.proformservice.com/registration) on your computer and register your product.**

- activates your warranty
- saves you time if you ever need to contact Customer Care
- allows us to notify you of upgrades and offers

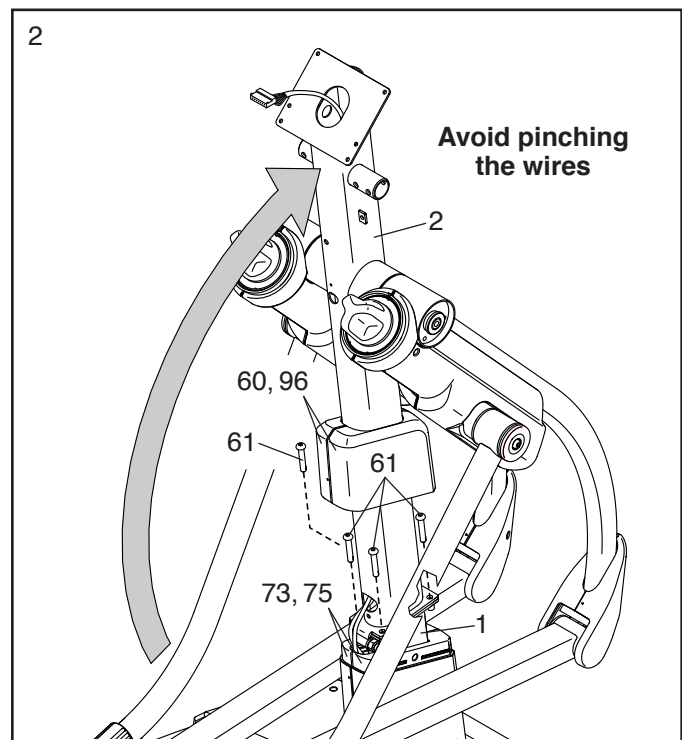
Note: If you do not have internet access, call Customer Care (see the front cover of this manual) and register your product.



2. Have a second person raise the Upright (2) and hold it in the position shown.

Slide the Right and Left Upright Covers (60, 96) upward as shown.

Secure the Upright (2) to the Frame (1) with four M8 x 20mm Screws (61); **do not tighten the Screws yet.**



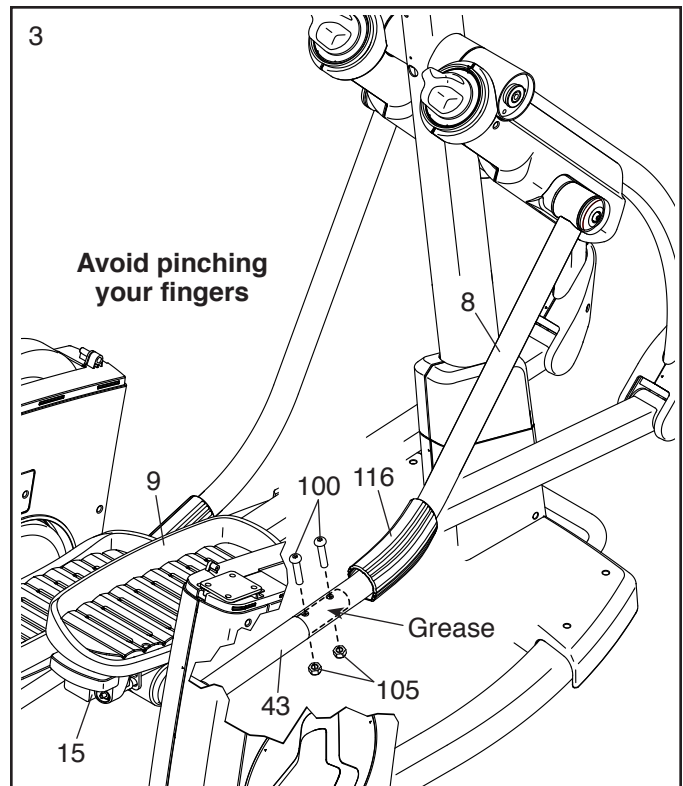
3. Have a second person lift the Right Pedal (9) and the Right Pedal Arm (15).

Using a plastic bag to keep your fingers clean, apply some of the included grease to the right Link Arm Bracket (43) in the location shown.

**Tip: Avoid pinching your fingers.** Slide the right Link Arm (8) onto the right Link Arm Bracket (43). Attach the right Link Arm with two M10 x 50mm Bolts (100) and two M10 Locknuts (105).

Then, slide the right Link Arm Cover (116) over the M10 x 50mm Bolts (100) and the M10 Locknuts (105).

**Repeat this step on the left side of the elliptical.**



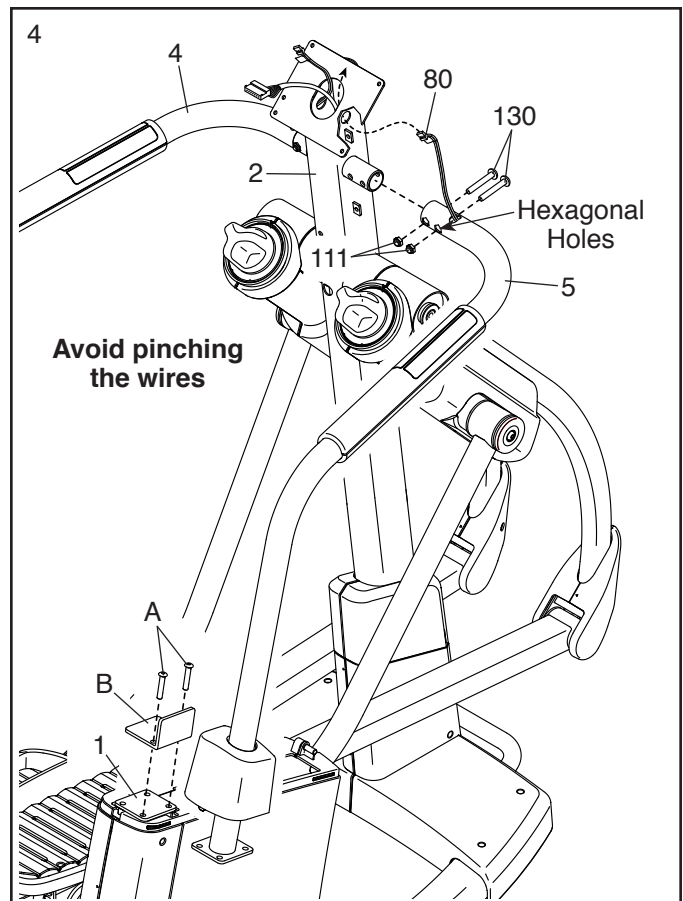
4. Remove the two screws (A) and the shipping bracket (B) from the right side of the Frame (1). Discard the screws and the shipping bracket.

**Tip: Avoid pinching the wires.** Slide the upper end of the Right Handrail (5) onto the right side of the Upright (2).

Attach the Right Handrail (5) with two M8 x 45mm Bolts (130) and two M8 Locknuts (111); **make sure that the Locknuts are inside the hexagonal holes, but do not tighten the Bolts yet.**

Then, insert the end of the Right Pulse Wire (80) into the hole in the right side of the Upright (2) and route it out of the top of the Upright.

**Repeat this step on the left side of the elliptical.**



5. Attach the lower end of the Right Handrail (5) to the Frame (1) with four M8 x 20mm Screws (61); **do not tighten the Screws yet.**

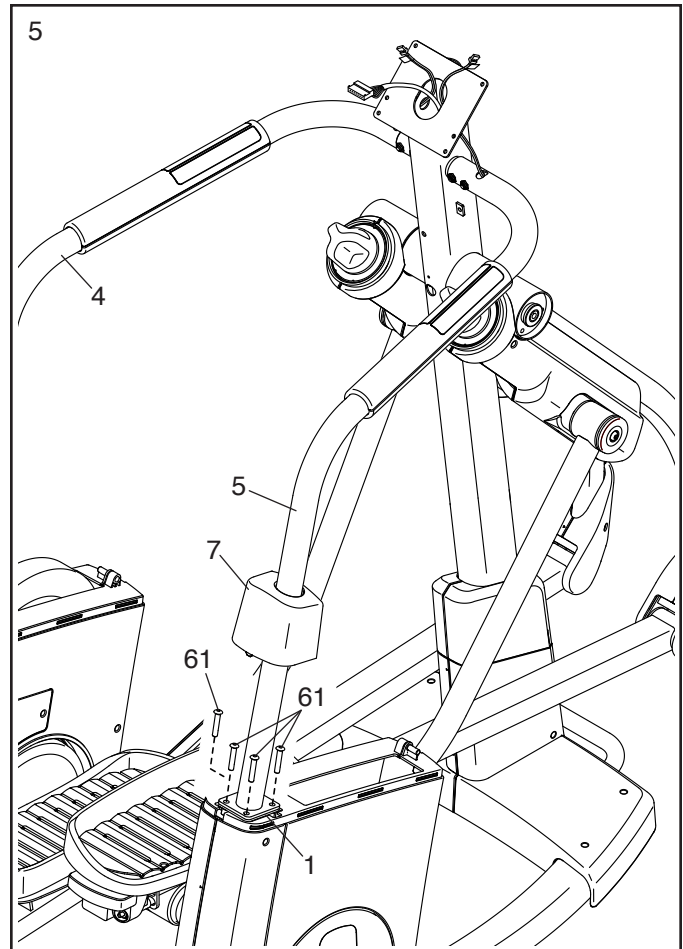
**Attach the lower end of the Left Handrail (4) in the same way.**

**See step 2.** Tighten the four M8 x 20mm Screws (61). Then, slide the Right and Left Upright Covers (60, 96) downward and press them onto the Right and Left Frame Post Covers (73, 75); **avoid pinching the wires.**

**See step 4.** Tighten the four M8 x 45mm Bolts (130).

**Then, tighten the eight M8 x 20mm Screws (61).**

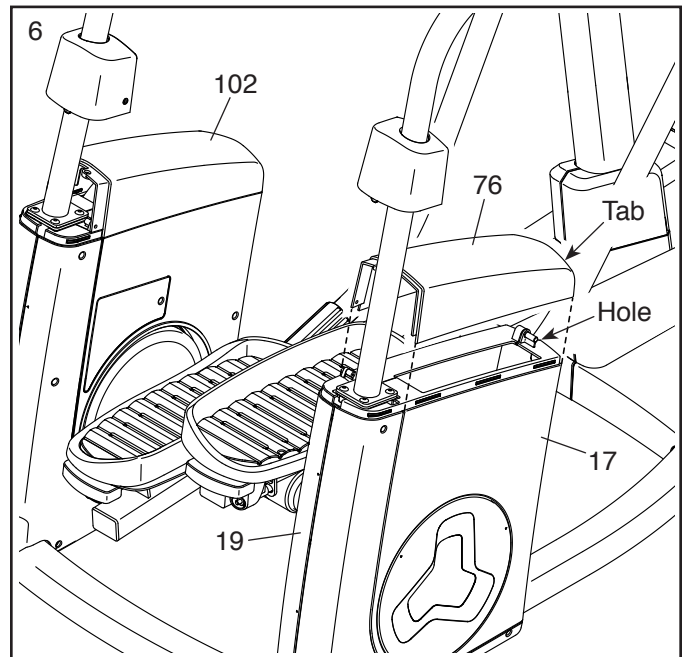
**Do not press the Right and Left Handrail Covers (7, not shown) into place yet.**



6. Align the tab on the Right Shield Cover (76) with the indicated hole in the Right Outer and Inner Shields (17, 19).

Press the Right Shield Cover (76) onto the Right Outer and Inner Shields (17, 19).

**Attach the Left Shield Cover (102) in the same way.**

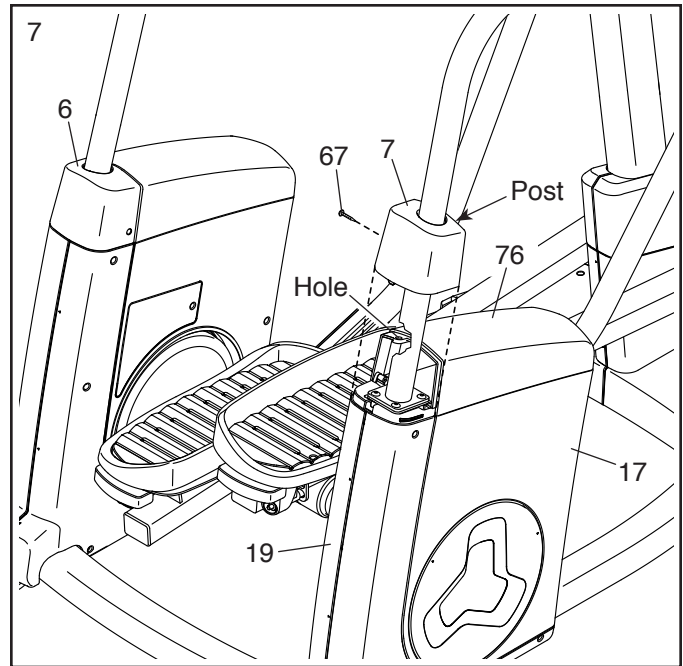


7. Align the plastic post inside the Right Handrail Cover (7) with the indicated hole in the Right Shield Cover (76).

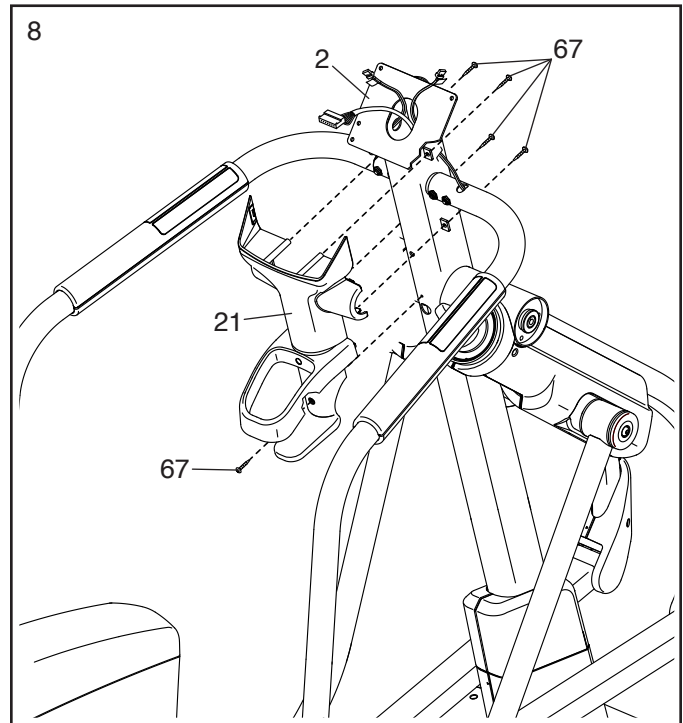
Press the Right Handrail Cover (7) onto the Right Shield Cover (76) and onto the Right Outer and Inner Shields (17, 19).

Attach the Right Handrail Cover (7) with an M4 x 16mm Screw (67).

**Attach the Left Handrail Cover (6) in the same way.**



8. Attach the Rear Upright Cover (21) to the Upright (2) with five M4 x 16mm Screws (67); **do not tighten the Screws yet.**

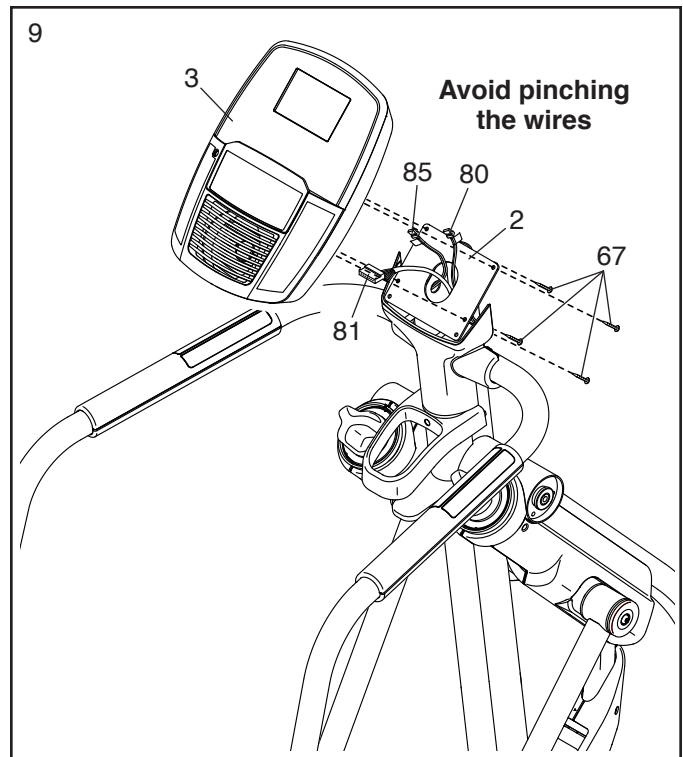


9. Have a second person hold the Console (3) near the Upright (2).

Plug the Upper Wire (81) into the large receptacle on the back of the Console (3). Next, plug the Right and Left Pulse Wires (80, 85) into the right and left receptacles. **The connectors on the Wires should slide easily into the receptacles and snap into place. If a connector does not slide easily, turn it and try again. If you do not insert the connectors properly, the Console may become damaged.**

Next, insert the excess wire into the Upright (2).

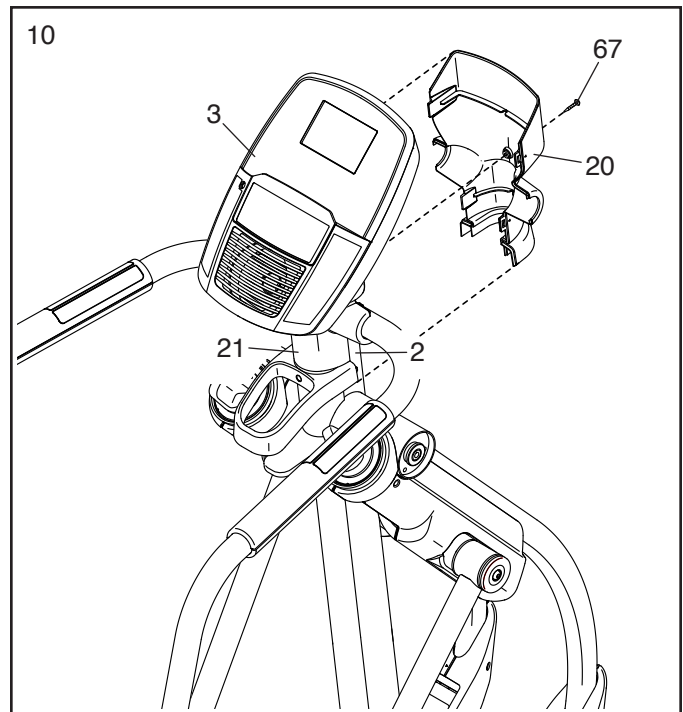
**Tip: Avoid pinching the wires.** Attach the Console (3) to the Upright (2) with four M4 x 16mm Screws (67); **start all the Screws, and then tighten them.**



10. Hold the Rear Upright Cover (21) against the Console (3).

**See step 8.** Tighten the five M4 x 16mm Screws (67).

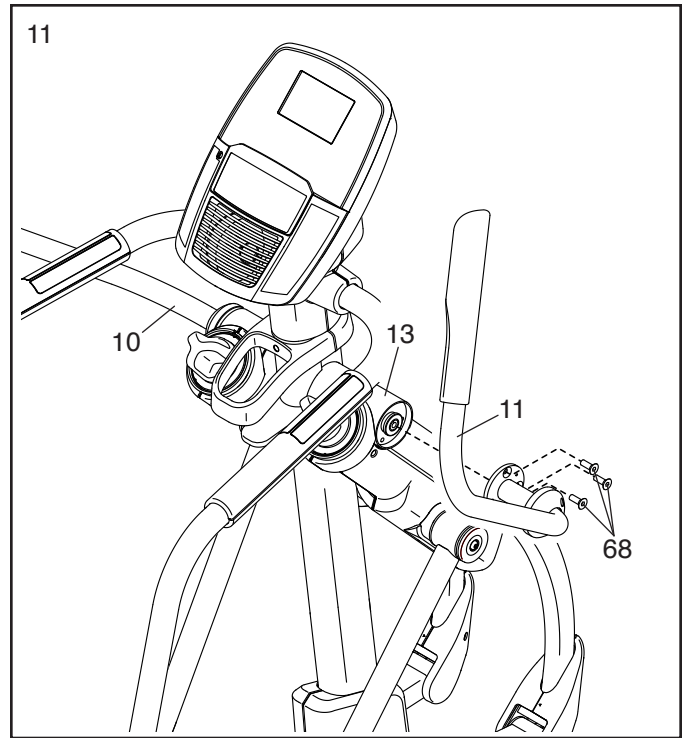
Press the tabs on the Front Upright Cover (20) into the Rear Upright Cover (21). Then, attach the Front Upright Cover to the Upright (2) with an M4 x 16mm Screw (67).



11. Identify the Right Handlebar (11).

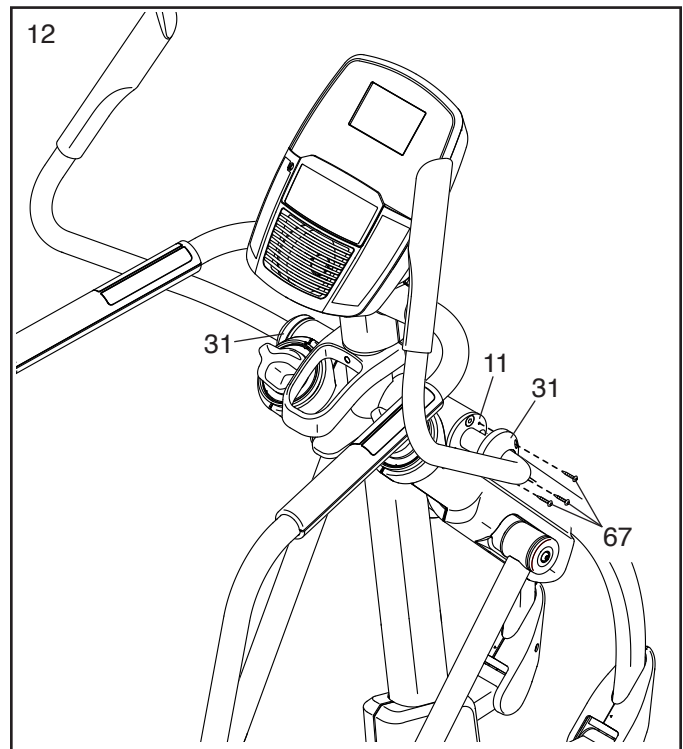
Attach the Right Handlebar (11) to the Right Handlebar Arm (13) with three M8 x 25mm Flat Head Screws (68).

**Attach the Left Handlebar (10) in the same way.**



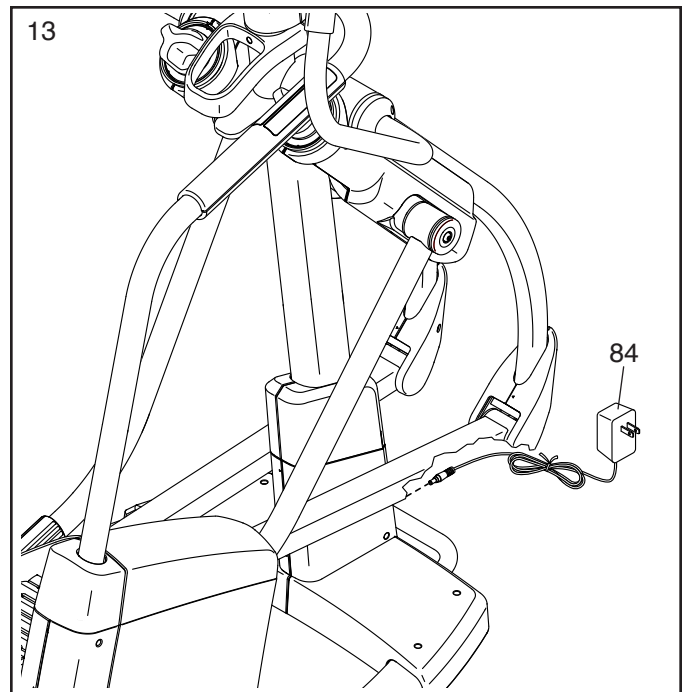
12. Attach the right Handlebar Cover (31) to the Right Handlebar (11) with three M4 x 16mm Screws (67).

**Attach the left Handlebar Cover (31) in the same way.**



13. Plug the Power Adapter (84) into the receptacle on the frame of the elliptical.

Note: To plug the Power Adapter (84) into an outlet, see HOW TO PLUG IN THE POWER ADAPTER on page 15.



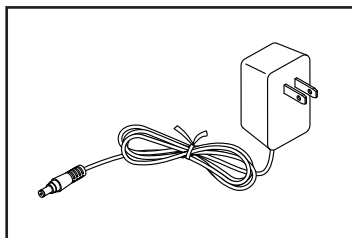
14. **Make sure that all parts are properly tightened before you use the elliptical.** Extra parts may be included. Place a mat beneath the elliptical to protect the floor.

# HOW TO USE THE ELLIPTICAL

## HOW TO PLUG IN THE POWER ADAPTER

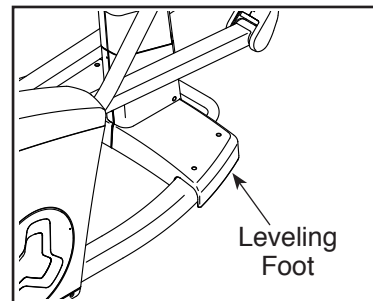
**IMPORTANT:** If the elliptical has been exposed to cold temperatures, allow it to warm to room temperature before you plug in the power adapter. If you do not do this, you may damage the console displays or other electronic components.

Plug the power adapter into the receptacle on the frame of the elliptical. Then, plug the power adapter into an appropriate outlet that is properly installed in accordance with all local codes and ordinances.



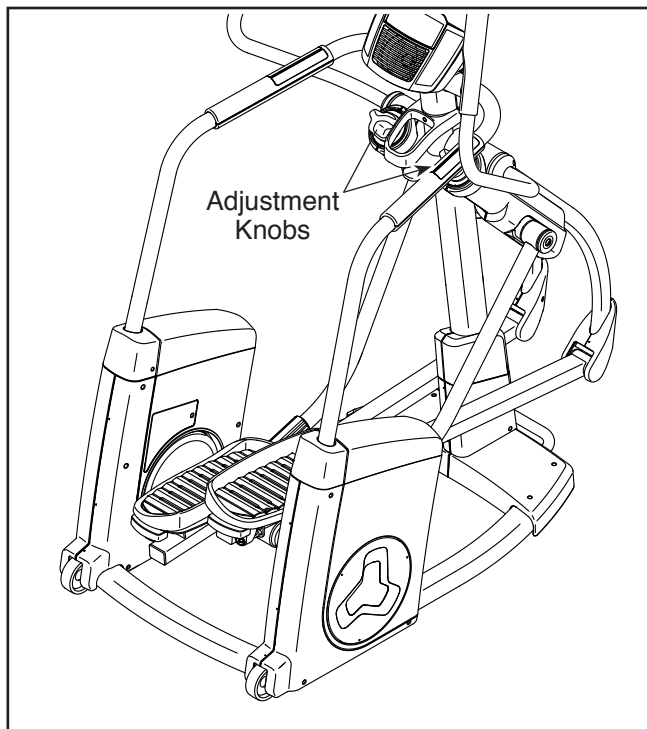
## HOW TO LEVEL THE ELLIPTICAL

If the elliptical rocks slightly on your floor during use, turn one or both of the leveling feet beneath the front of the frame until the rocking motion is eliminated.



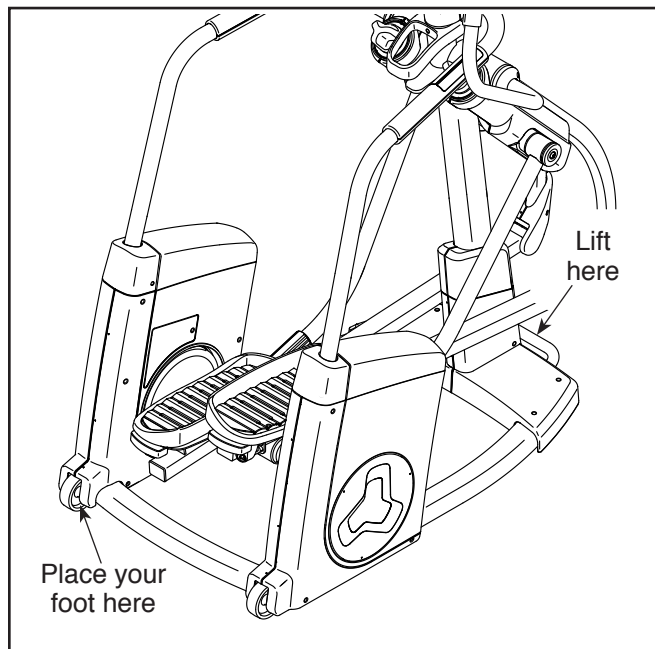
## HOW TO ADJUST THE STRIDE OF THE ELLIPTICAL

To adjust the stride of the elliptical, turn the adjustment knobs clockwise or counterclockwise. **Make sure that both adjustment knobs are at the same setting.**



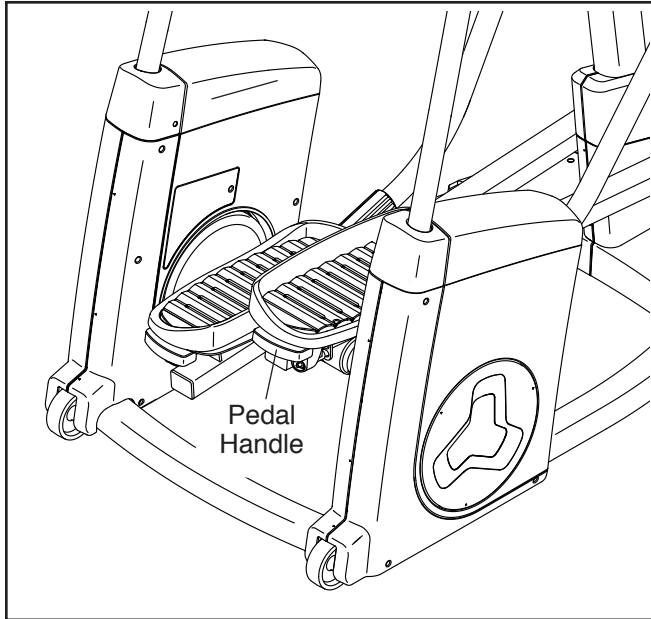
## HOW TO MOVE THE ELLIPTICAL

Due to the size and weight of the elliptical, moving it requires two persons. Have a second person place one foot against one of the wheels. Grip the handle and lift the frame until the elliptical will roll on the wheels. Carefully move the elliptical to the desired location, and then lower it to the floor.



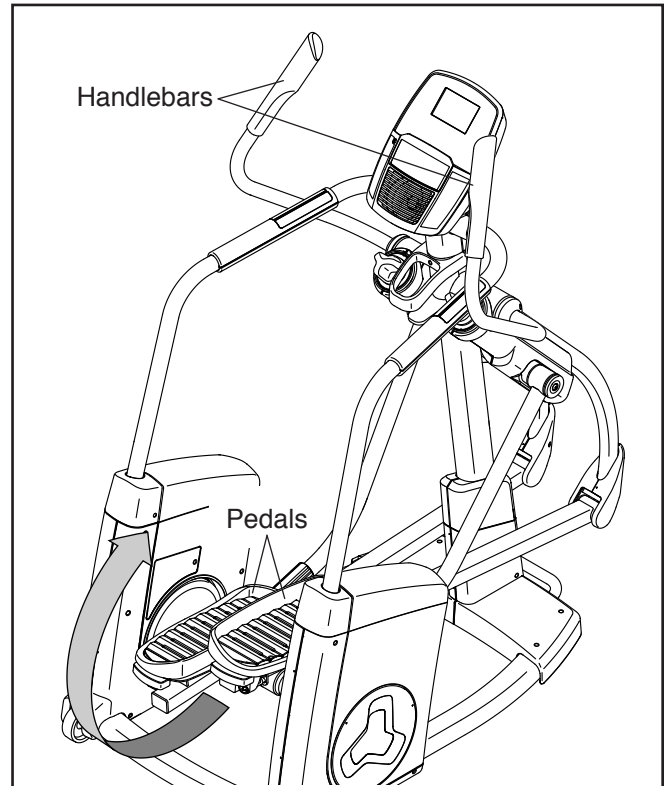
## HOW TO ADJUST THE POSITIONS OF THE PEDALS

Each pedal can be adjusted to several positions. To adjust each pedal, simply pull the pedal handle outward, move the pedal to the desired position, and then release the pedal handle into an adjustment hole beneath the pedal. **Make sure to adjust both pedals to the same position.**



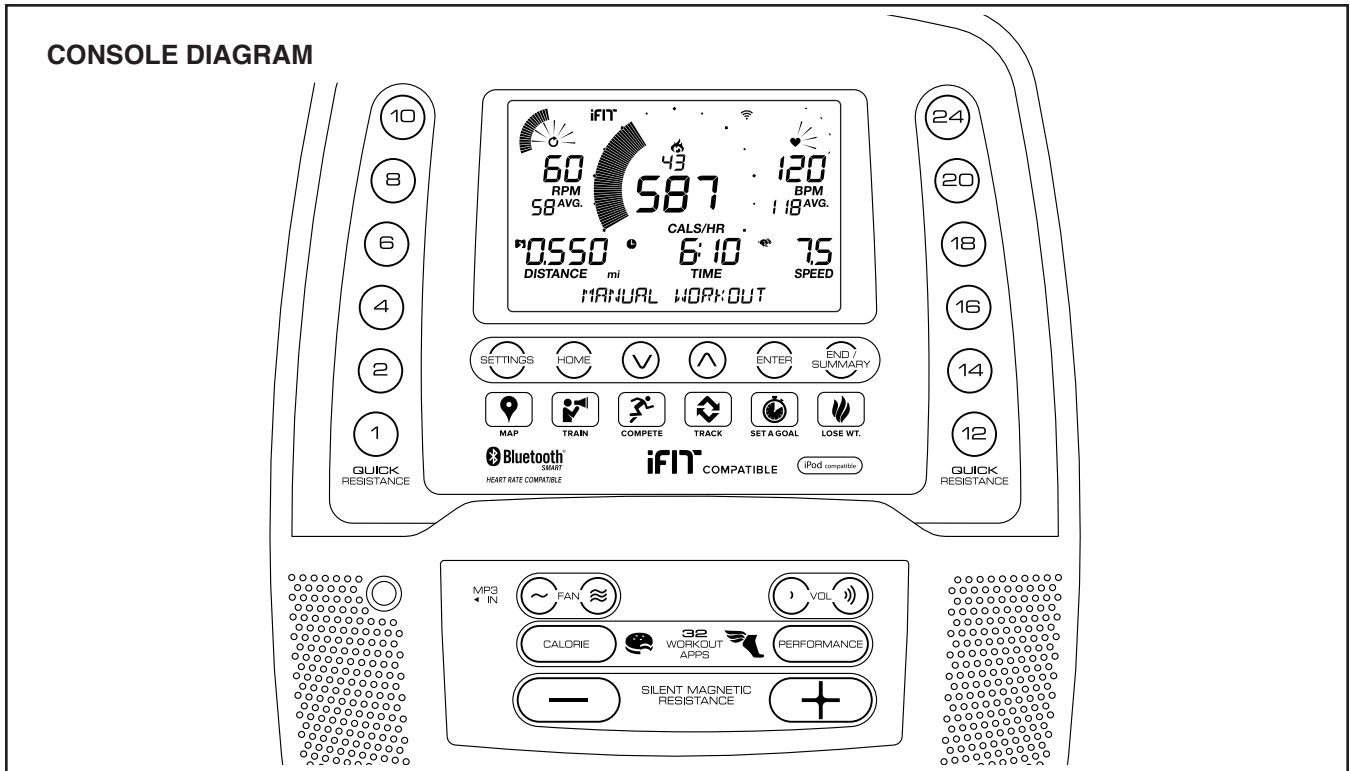
## HOW TO EXERCISE ON THE ELLIPTICAL

To mount the elliptical, hold the handlebars and step onto the pedal that is in the lower position. Then, step onto the other pedal. Push the pedals until they begin to move with a continuous motion. **Note: The pedals can turn in either direction. It is recommended that you turn the pedals in the direction shown by the arrow; however, for variety, you can turn the pedals in the opposite direction.**



To dismount the elliptical, wait until the pedals come to a complete stop. **Note: The elliptical does not have a free wheel; the pedals will continue to move until the flywheel stops.** When the pedals are stationary, step off the higher pedal first. Then, step off the lower pedal.

## CONSOLE DIAGRAM



### MAKE YOUR FITNESS GOALS A REALITY WITH IFIT.COM

With your new iFit-compatible fitness equipment, you can use an array of features on iFit.com to make your fitness goals a reality:



Exercise anywhere in the world with customizable Google Maps.



Download training workouts designed to help you reach your personal goals.



Measure your progress by competing against other users in the iFit community.



Upload your workout results to the iFit cloud and track your accomplishments.



Set calorie, time, or distance goals for your workouts.



Choose and download sets of weight-loss workouts.

**Go to [iFit.com](http://iFit.com) to learn more.**

## FEATURES OF THE CONSOLE

The advanced console offers an array of features designed to make your workouts more effective and enjoyable.

When you use the manual mode of the console, you can change the resistance of the pedals with the touch of a button.

While you exercise, the console will display continuous exercise feedback. You can also measure your heart rate using the handgrip heart rate monitor or an **optional chest heart rate monitor (see page 24 for more information)**.

The console also offers a selection of onboard workouts. Each workout automatically changes the resistance of the pedals as it guides you through an effective workout. You can also set a calorie, distance, or time goal.

The console also features an iFit mode that enables the console to communicate with your wireless network through an optional iFit module. With the iFit mode, you can download personalized workouts, create your own workouts, track your workout results, race against other iFit users, and access many other features. **To purchase an iFit module at any time, go to [www.iFit.com](http://www.iFit.com) or call the telephone number on the front cover of this manual.**

You can even connect your personal audio player to the console sound system and listen to your favorite music or audio books while you exercise.

**To use the manual mode**, see this page. **To use an onboard workout**, see page 21. **To use a set-a-goal workout**, see page 22. **To use an iFit workout**, see page 23. **To use the sound system**, see page 24. **To change console settings**, see page 25.

Note: If there is a sheet of plastic on the display, remove the plastic.

## HOW TO USE THE MANUAL MODE

1. **Begin pedaling or press any button on the console to turn on the console.**

When you turn on the console, the display will turn on. The console will then be ready for use.

2. **Select the manual mode.**

Press the Home button or press either the Calorie button or the Performance button repeatedly to select the manual mode.

If a wireless iFit module is not inserted into the console and connected to iFit, the manual mode will be selected automatically.

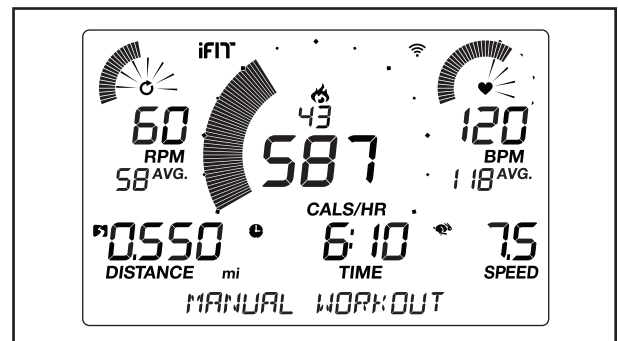
3. **Change the resistance of the pedals as desired.**

As you pedal, change the resistance of the pedals by pressing the Silent Magnetic Resistance increase and decrease buttons or by pressing one of the numbered Quick Resistance buttons.

Note: After you press a button, it will take a moment for the pedals to reach the selected resistance level.

4. **Follow your progress with the displays.**

The display can show the following workout information:



**Calories (flame icon)**—This display will show the approximate number of calories you have burned.

**Calories per Hour (Cals/Hr)**—This display will show the approximate number of calories you are burning per hour.

**Distance**—This display will show the distance that you have pedaled in miles (mi) or kilometers (km).

**Pulse (BPM)**—This display will show your heart rate in beats per minute (bpm) when you use the handgrip heart rate monitor or the optional chest heart rate monitor (see step 5).

**Pulse Average (BPM AVG)**—This display will show your average heart rate in beats per minute (bpm) when you use the handgrip heart rate monitor or the optional chest heart rate monitor (see step 5).

**Resistance**—This display will show the resistance level of the pedals for a few seconds each time the resistance level changes.

**RPM**—This display will show your pedaling speed in revolutions per minute (rpm).

**RPM Average (RPM AVG)**—This display will show your average pedaling speed in revolutions per minute (rpm).

**Speed**—This display will show your pedaling speed in miles per hour or kilometers per hour.

**Time**—When the manual mode is selected, this display will show the elapsed time. When an onboard workout is selected, this display will show the time remaining in the workout.

**Watts**—This display will show your approximate power output in watts.

**Average Watts (AVG.)**—This display will show your approximate average power output in watts for the workout.

Press the Home button to exit the workout and return to the default menu (see HOW TO CHANGE CONSOLE SETTINGS on page 25 to set the default menu). If necessary, press the Home button again.

Press the End/Summary button to end the workout and view a workout summary. The workout summary will appear in the displays for several seconds.



When a wireless iFit module is connected, the wireless symbol at the top of the display will show the strength of your wireless signal. Four arcs indicate full signal strength.

Change the volume level of the console by pressing the Vol increase and decrease buttons.

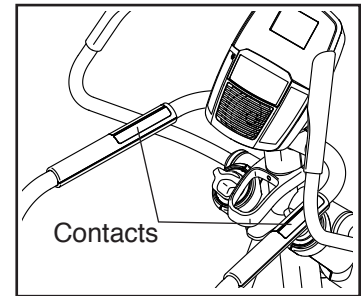


## 5. Measure your heart rate if desired.

You can measure your heart rate using either the handgrip heart rate monitor or an optional chest heart rate monitor (see page 24 for information about the optional chest heart rate monitor). Note: The console is compatible with BLUETOOTH® Smart heart rate monitors.

**Note: If you use both heart rate monitors at the same time, the console will not display your heart rate accurately.**

**If there are sheets of plastic on the metal contacts on the handgrip heart rate monitor, remove the plastic.** To measure your heart rate, hold the handgrip heart rate monitor with your palms resting against the contacts. **Avoid moving your hands or gripping the contacts tightly.**



**6. Turn on the fan if desired.**

The fan has low and high speed settings. Press the Fan increase and decrease buttons repeatedly to select a fan speed or to turn off the fan.



Note: If the pedals do not move for about thirty seconds, the fan will turn off automatically.

**7. When you are finished exercising, the console will turn off automatically.**

If the pedals do not move for several seconds, a tone will sound, the console will pause, and the time will flash in the display. To resume your workout, simply resume pedaling.

If the pedals do not move for several minutes and the buttons are not pressed, the console will turn off and the display will be reset.

Note: The console features a display demo mode, designed to be used if the elliptical is displayed in a store. When the demo mode is turned on, the console will show a preset presentation. To turn off the demo mode, see HOW TO CHANGE CONSOLE SETTINGS on page 25.

## HOW TO USE AN ONBOARD WORKOUT

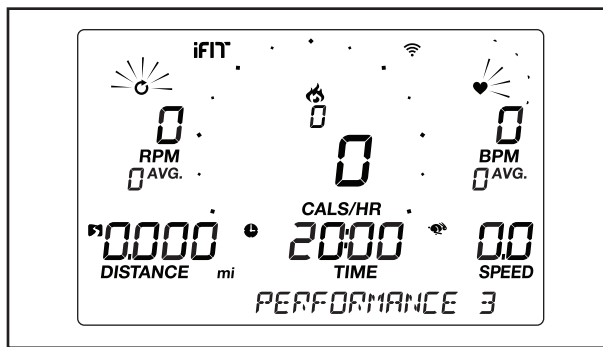
### 1. Begin pedaling or press any button on the console to turn on the console.

When you turn on the console, the display will turn on. The console will then be ready for use.

### 2. Select an onboard workout.

To select an onboard workout, press the Calorie button or the Performance button repeatedly until the desired workout appears in the display.

When you select an onboard workout, the display will show the duration of the workout and the name of the workout.



The the maximum speed and the maximum resistance level for the workout will also appear in the display.

### 3. Begin pedaling to start the workout.

Each workout is divided into one-minute segments. One resistance level and one target speed is programmed for each segment. Note: The same resistance level and/or target speed may be programmed for consecutive segments.

At the end of each segment of the workout, a series of tones will sound. If a different resistance level and/or target speed is programmed for the next segment, the resistance level and/or target

speed will appear in the display for a few seconds to alert you. The resistance of the pedals will then change.

As you exercise, keep your pedaling speed near the target speed for the current segment.

**IMPORTANT: The target speed is intended only to provide motivation. Your actual pedaling speed may be slower than the target speed. Make sure to pedal at a speed that is comfortable for you.**

If the resistance level for the current segment is too high or too low, you can manually override the setting by pressing the Resistance buttons.

**IMPORTANT: When the current segment of the workout ends, the pedals will automatically adjust to the resistance level programmed for the next segment.**

The workout will continue in this way until the last segment ends. To pause the workout at any time, stop pedaling. The time will flash in the display. To resume the workout, simply resume pedaling.

To end the workout, press the End/Summary button. A summary of the workout will appear in the displays for several seconds.

### 4. Follow your progress with the displays.

See step 4 on page 18.

### 5. Measure your heart rate if desired.

See step 5 on page 19.

### 6. Turn on the fan if desired.

See step 6 on page 20.

### 7. When you are finished exercising, the console will turn off automatically.

See step 7 on page 20.

## HOW TO USE A SET-A-GOAL WORKOUT

### 1. **Begin pedaling or press any button on the console to turn on the console.**

When you turn on the console, the display will turn on. The console will then be ready for use.

### 2. **Set a calorie, distance, or time goal.**

To set a calorie, distance, or time goal, first press the Set A Goal button.

Next, press the increase and decrease buttons next to the Enter button until the name of the desired goal appears in the display. Then, press the Enter button.

Then, press the increase and decrease buttons next to the Enter button to set the desired goal.

### 3. **Begin pedaling to start the workout.**

Each workout is divided into one-minute segments.

You can manually change the resistance of the pedals as desired during the workout by pressing the Resistance buttons.

Note: If you manually change the resistance level during a calorie goal workout, the length of the workout may adjust automatically to ensure that you meet your calorie goal.

**Note: The calorie goal is an estimate of the number of calories that you will burn during the workout. The actual number of calories that you burn will depend on various factors such as your weight. In addition, if you manually change the resistance level during the workout, the number of calories you burn will be affected.**

The workout will continue in this way until the calorie, distance, or time goal is reached. To pause the workout, stop pedaling. The time will pause in the display. To resume the workout, simply resume pedaling.

### 4. **Follow your progress with the displays.**

As you exercise, the calories, time, or distance display will count down until the desired goal is reached.

See step 4 on page 18.

### 5. **Measure your heart rate if desired.**

See step 5 on page 19.

### 6. **Turn on the fan if desired.**

See step 6 on page 20.

### 7. **When you are finished exercising, the console will turn off automatically.**

See step 7 on page 20.

## HOW TO USE AN IFIT WORKOUT

You must have an iFit module to use an iFit workout. **To purchase an iFit module at any time, go to [www.iFit.com](http://www.iFit.com) or call the telephone number on the front cover of this manual.**

To use an iFit module, you must have the following:

- A computer with an internet connection and a USB port.
- Your own wireless network including an 802.11b/g/n router with SSID broadcast enabled (hidden networks are not supported).
- An iFit account. Open an internet browser, go to [www.iFit.com](http://www.iFit.com), and follow the prompts on the website to sign up for your iFit account. If you have an activation code, select the code activation option.

To set up and configure your iFit module, follow the instructions in the user's manual that came with your iFit module. **Make sure that your iFit module is inserted in the console and that it is properly configured.**

To use an iFit workout, follow the instructions below.

### 1. Add workouts to your schedule on iFit.com.

Open an internet browser, go to [www.iFit.com](http://www.iFit.com), and sign in to your iFit account.

Next, navigate to Menu > Library on the website. Browse the workout programs in the library and join the desired workouts.

Then, navigate to Menu > Schedule to view your schedule. All of the workouts that you have joined will appear on your schedule; you can arrange or delete the workouts on your schedule as desired.

Take time to explore the iFit.com website before you log out.

### 2. Begin pedaling or press any button on the console to turn on the console.

When you turn on the console, the display will turn on. The console will then be ready for use.

### 3. Select a user.

If more than one user is registered on your iFit account, you can switch users in the iFit main screen. Press the increase and decrease buttons next to the Enter button to select a user.

### 4. Select an iFit workout.

**IMPORTANT: Before iFit workouts will download, you must add them to your schedule on iFit.com (see step 1).**

**To download an iFit workout from iFit.com to the console**, press the Map, Train, or Lose Wt. button. The next workout of that type in your schedule will then download. Note: You may be able to access demo workouts through these buttons, even if you do not have an iFit module.

**To compete in a race or challenge that you have previously joined on iFit.com**, press the Compete button. **To view your workout history**, press the Track button. **To use a set-a-goal workout**, press the Set A Goal button (see page 22).

**For more information about iFit workouts, please see [www.iFit.com](http://www.iFit.com).**

When you select an iFit workout, the display will show the name and estimated duration of the workout. The display will also show the approximate number of calories you will burn during the workout.

If the iFit workout is a race or challenge, the display will count down to the beginning of the race.

## 5. Start the workout.

See step 3 on page 21.

During some workouts, an audio coach will guide you through your workout. You can select a setting for the audio coach (see HOW TO CHANGE CONSOLE SETTINGS on page 25).

To stop the workout at any time, stop pedaling. The time will flash in the display. To resume the workout, simply resume pedaling.

## 6. Follow your progress with the displays.

See step 4 on page 18.

During a race or challenge, the display will show your progress in the race.

## 7. Measure your heart rate if desired.

See step 5 on page 19.

## 8. Turn on the fan if desired.

See step 6 on page 20.

## 9. When you are finished exercising, the console will turn off automatically.

See step 7 on page 20.

**For more information about iFit features, go to [www.iFit.com](http://www.iFit.com).**

**IMPORTANT:** To satisfy exposure compliance requirements, the antenna and transmitter in the iFit module must be at least 8 in. (20 cm) from all persons and must not be near or connected to any other antenna or transmitter.

## HOW TO USE THE SOUND SYSTEM

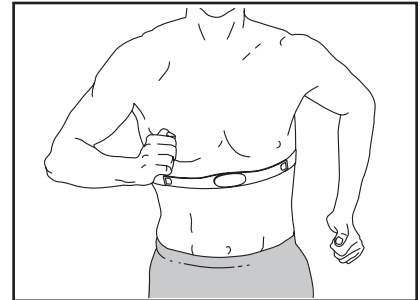
To play music or audio books through the console sound system while you exercise, plug a 3.5 mm male to 3.5 mm male audio cable (not included) into the jack on the console and into a jack on your personal audio player; **make sure that the audio cable is fully plugged in. Note: To purchase an audio cable, see your local electronics store.**

Next, press the play button on your personal audio player. Adjust the volume level using the Vol increase and decrease buttons on the console or the volume control on your personal audio player.



## THE OPTIONAL CHEST HEART RATE MONITOR

Whether your goal is to burn fat or to strengthen your cardiovascular system, the key to achieving the best results is to maintain the proper heart rate during your workouts.



The optional chest heart rate monitor will enable you to continuously monitor your heart rate while you exercise, helping you to reach your personal fitness goals. **To purchase a chest heart rate monitor, please see the front cover of this manual.**

Note: The console is compatible with all BLUETOOTH Smart heart rate monitors.

## HOW TO CHANGE CONSOLE SETTINGS

### 1. Select the settings mode.

To select the settings mode, press the Settings button.

The display will show the total number of hours that the elliptical has been used and the total distance (in miles or kilometers) that has been pedaled on the elliptical.

If an iFit module is not connected to the console, some of the settings options will not be available.

### 2. Navigate the settings mode.

While the settings mode is selected, the settings options will appear in the lower display. **Press the decrease button next to the Enter button repeatedly to select the desired settings option.**

The lower section of the display will show instructions for the selected settings option. **Make sure to follow the instructions shown in the lower part of the display.**

### 3. Change settings as desired.

**Units**—The currently selected unit of measurement will appear in the display. To change the unit of measurement, press the Enter button repeatedly.

To view distance in miles, select ENGLISH. To view distance in kilometers, select METRIC.

**Demo**—The console features a display demo mode, designed to be used if the elliptical is displayed in a store. Press the Enter button repeatedly to turn the demo mode ON or OFF.

**Contrast Level**—The currently selected contrast level will appear in the display. Press the Silent Magnetic Resistance increase and decrease buttons to adjust the contrast level.

**Trainer Voice**—The currently selected setting for the audio coach will appear in the display. Press the Enter button repeatedly to turn the audio coach ON or OFF.

**Default Menu**—The default menu will appear when you press the Home button. Press the Enter button repeatedly to select the manual mode or the iFit menu as the default menu.

**Check Status**—The words CHECK WIFI STATUS or CHECK USB STATUS will appear in the display. Press the Enter button. After a few seconds, the status of the iFit module will appear in the display. To exit this display, press the Settings button.

### 4. Exit the settings mode.

Press the Settings button to exit the settings mode.

---

## FCC INFORMATION

This equipment has been tested and found to comply with the limits for a Class B digital device, pursuant to part 15 of the FCC Rules. These limits are designed to provide reasonable protection against harmful interference in a residential installation. This equipment generates, uses, and can radiate radio frequency energy and, if not installed and used in accordance with the instructions, may cause harmful interference to radio communications. However, there is no guarantee that interference will not occur in a particular installation. If this equipment does cause harmful interference to radio or television reception, which can be determined by turning the equipment off and on, try to correct the interference by one or more of the following measures:

- Reorient or relocate the receiving antenna.
- Increase the separation between the equipment and the receiver.
- Connect the equipment into an outlet on a circuit different from that to which the receiver is connected.
- Consult the dealer or an experienced radio/TV technician for help.

**FCC CAUTION: To assure continued compliance, use only shielded interface cables when connecting to computer or peripheral devices. Changes or modifications not expressly approved by the party responsible for compliance could void the user's authority to operate this equipment.**

**IMPORTANT: To satisfy exposure compliance requirements, the antenna and transmitter in the console must be at least 8 in. (20 cm) from all persons and must not be near or connected to any other antenna or transmitter.**

**Note: The console contains FCC ID: OMCIABR12.**

# MAINTENANCE AND TROUBLESHOOTING

## MAINTENANCE

Regular maintenance is important for optimal performance and to reduce wear. Inspect and properly tighten all parts each time the elliptical is used. Replace any worn parts immediately.

To clean the elliptical, use a damp cloth and a small amount of mild soap. **IMPORTANT: To avoid damage to the console, keep liquids away from the console and keep the console out of direct sunlight.**

## CONSOLE TROUBLESHOOTING

If lines appear in the console display, see HOW TO CHANGE CONSOLE SETTINGS on page 25 and adjust the contrast level of the display.

If the console does not display your heart rate when you hold the handgrip heart rate monitor, or if the displayed heart rate appears to be too high or too low, see step 5 on page 19.

**If a replacement power adapter is needed, call the telephone number on the cover of this manual. IMPORTANT: To avoid damaging the console, use only a manufacturer-supplied regulated power adapter.**

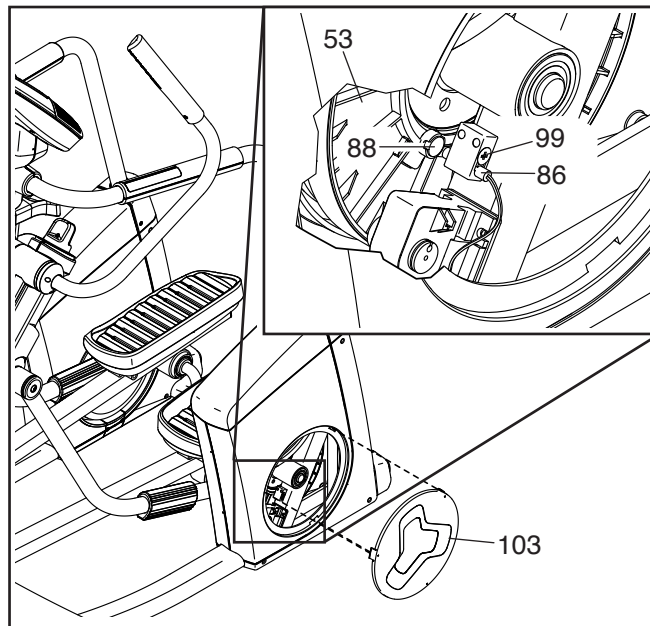
## HOW TO LEVEL THE ELLIPTICAL

If the elliptical rocks slightly on your floor during use, see HOW TO LEVEL THE ELLIPTICAL on page 15.

## HOW TO ADJUST THE REED SWITCH

If the console does not display correct feedback, the reed switch should be adjusted. Before you adjust the reed switch, **unplug the power adapter.**

Using a standard screwdriver, carefully pry off the Left Shield Disc (103).



Next, locate the Reed Switch (86). Move the pedals until one of the Magnets (88) on the Pulley (53) is aligned with the Reed Switch. Then, loosen the M5 x 16mm Flat Head Screw (99), slide the Reed Switch slightly toward or away from the Magnet, and retighten the Flat Head Screw.

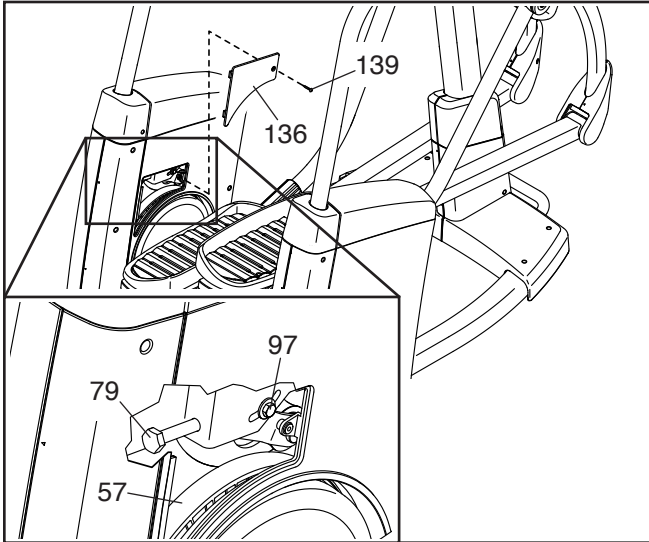
Plug in the power adapter and move the pedals forward and backward slightly so that the Magnet (88) passes the Reed Switch (86) repeatedly. Repeat these actions until the console displays correct feedback.

When the Reed Switch (86) is correctly adjusted, **unplug the power adapter.** Then, reattach the Left Shield Disc (103) and plug in the power adapter.

## HOW TO ADJUST THE DRIVE BELT

If the pedals slip while you are pedaling, even while the resistance is adjusted to the highest level, the drive belt may need to be adjusted. Before you adjust the drive belt, **unplug the power adapter**.

Remove the indicated M4 x 12mm Screw (139) and the Access Cover (136).



Next, loosen the Pivot Screw (97), tighten the Belt Adjustment Screw (79) until the Drive Belt (57) is tight, and then retighten the Pivot Screw.

When the Drive Belt (57) is tight, reattach the Access Cover (136). Then, plug in the power adapter.

# EXERCISE GUIDELINES

**⚠️ WARNING:** Before beginning this or any exercise program, consult your physician. This is especially important for persons over age 35 or persons with pre-existing health problems.

The heart rate monitor is not a medical device. Various factors may affect the accuracy of heart rate readings. The heart rate monitor is intended only as an exercise aid in determining heart rate trends in general.

These guidelines will help you to plan your exercise program. For detailed exercise information, obtain a reputable book or consult your physician. Remember, proper nutrition and adequate rest are essential for successful results.

## EXERCISE INTENSITY

Whether your goal is to burn fat or to strengthen your cardiovascular system, exercising at the proper intensity is the key to achieving results. You can use your heart rate as a guide to find the proper intensity level. The chart below shows recommended heart rates for fat burning and aerobic exercise.

165	155	145	140	130	125	115	♥
145	138	130	125	118	110	103	♥
125	120	115	110	105	95	90	♥
<hr/>							
20	30	40	50	60	70	80	

To find the proper intensity level, find your age at the bottom of the chart (ages are rounded off to the nearest ten years). The three numbers listed above your age define your “training zone.” The lowest number is the heart rate for fat burning, the middle number is the heart rate for maximum fat burning, and the highest number is the heart rate for aerobic exercise.

**Burning Fat**—To burn fat effectively, you must exercise at a low intensity level for a sustained period of time. During the first few minutes of exercise, your body uses carbohydrate calories for energy. Only after the first few minutes of exercise does your body begin to use stored fat calories for energy. If your goal is to burn fat, adjust the intensity of your exercise until your heart rate is near the lowest number in your training zone. For maximum fat burning, exercise with your heart rate near the middle number in your training zone.

**Aerobic Exercise**—If your goal is to strengthen your cardiovascular system, you must perform aerobic exercise, which is activity that requires large amounts of oxygen for prolonged periods of time. For aerobic exercise, adjust the intensity of your exercise until your heart rate is near the highest number in your training zone.

## WORKOUT GUIDELINES

**Warming Up**—Start with 5 to 10 minutes of stretching and light exercise. A warm-up increases your body temperature, heart rate, and circulation in preparation for exercise.

**Training Zone Exercise**—Exercise for 20 to 30 minutes with your heart rate in your training zone. (During the first few weeks of your exercise program, do not keep your heart rate in your training zone for longer than 20 minutes.) Breathe regularly and deeply as you exercise; never hold your breath.

**Cooling Down**—Finish with 5 to 10 minutes of stretching. Stretching increases the flexibility of your muscles and helps to prevent post-exercise problems.

## EXERCISE FREQUENCY

To maintain or improve your condition, complete three workouts each week, with at least one day of rest between workouts. After a few months of regular exercise, you may complete up to five workouts each week, if desired. Remember, the key to success is to make exercise a regular and enjoyable part of your everyday life.

## SUGGESTED STRETCHES

The correct form for several basic stretches is shown at the right. Move slowly as you stretch; never bounce.

### 1. Toe Touch Stretch

Stand with your knees bent slightly and slowly bend forward from your hips. Allow your back and shoulders to relax as you reach down toward your toes as far as possible. Hold for 15 counts, then relax. Repeat 3 times. Stretches: Hamstrings, back of knees and back.

### 2. Hamstring Stretch

Sit with one leg extended. Bring the sole of the opposite foot toward you and rest it against the inner thigh of your extended leg. Reach toward your toes as far as possible. Hold for 15 counts, then relax. Repeat 3 times for each leg. Stretches: Hamstrings, lower back and groin.

### 3. Calf/Achilles Stretch

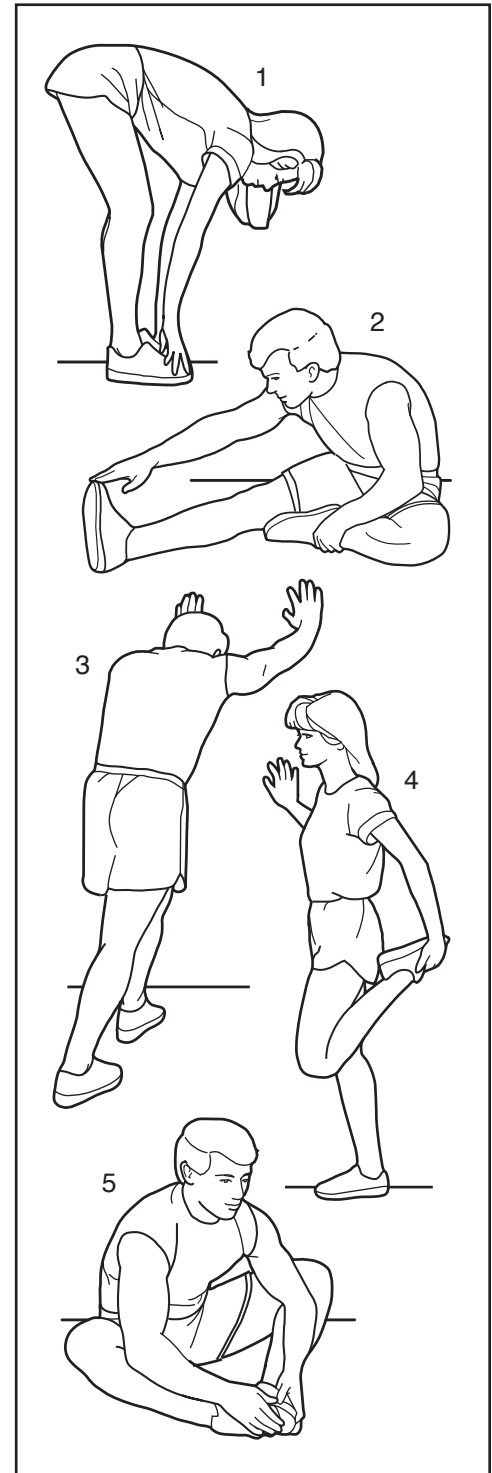
With one leg in front of the other, reach forward and place your hands against a wall. Keep your back leg straight and your back foot flat on the floor. Bend your front leg, lean forward and move your hips toward the wall. Hold for 15 counts, then relax. Repeat 3 times for each leg. To cause further stretching of the achilles tendons, bend your back leg as well. Stretches: Calves, achilles tendons and ankles.

### 4. Quadriceps Stretch

With one hand against a wall for balance, reach back and grasp one foot with your other hand. Bring your heel as close to your buttocks as possible. Hold for 15 counts, then relax. Repeat 3 times for each leg. Stretches: Quadriceps and hip muscles.

### 5. Inner Thigh Stretch

Sit with the soles of your feet together and your knees outward. Pull your feet toward your groin area as far as possible. Hold for 15 counts, then relax. Repeat 3 times. Stretches: Quadriceps and hip muscles.



# PART LIST

Model No. PFEL59915.0 R0516A

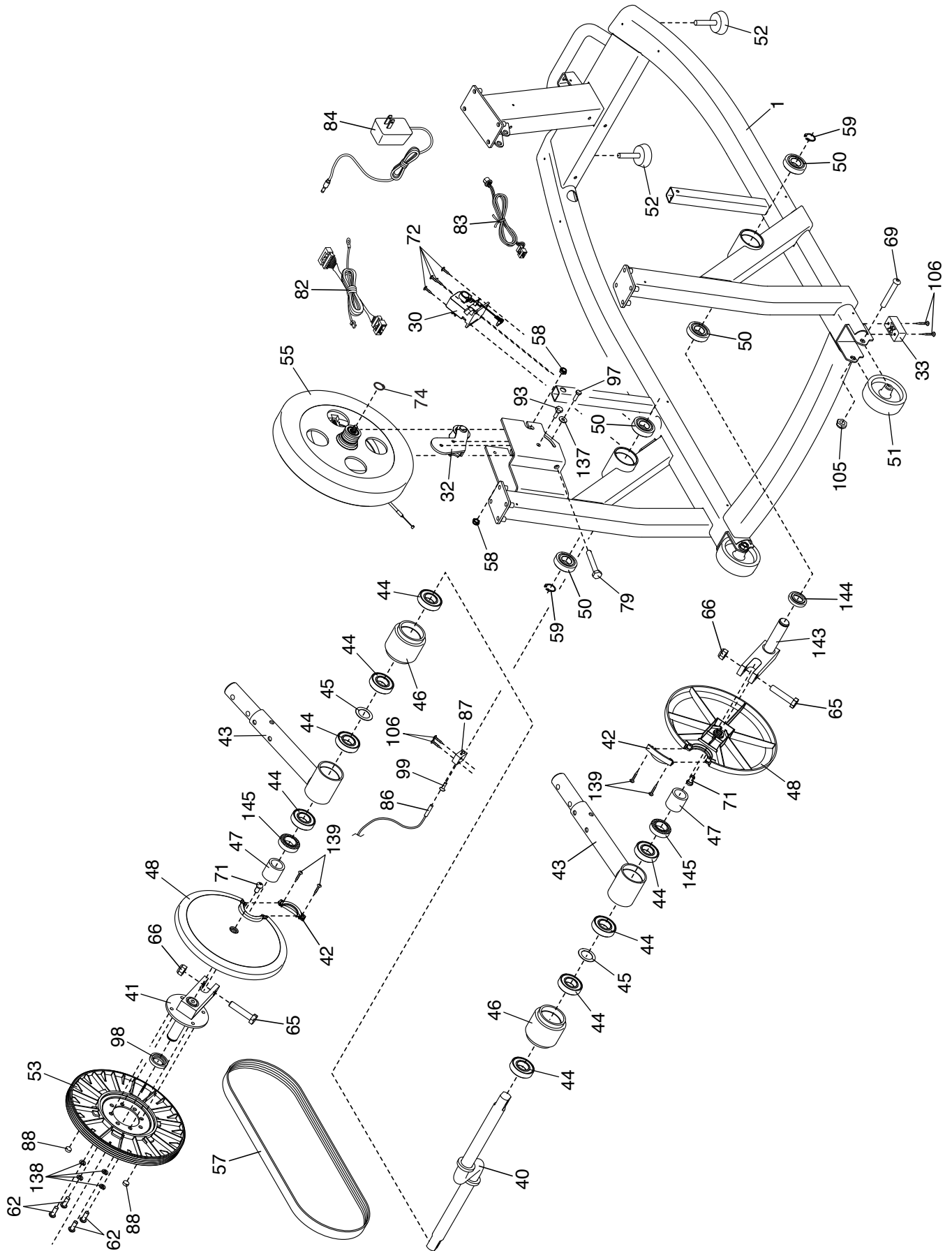
Key No.	Qty.	Description	Key No.	Qty.	Description
1	1	Frame	51	2	Wheel
2	1	Upright	52	2	Leveling Foot
3	1	Console	53	1	Pulley
4	1	Left Handrail	54	1	Right Frame Cover
5	1	Right Handrail	55	1	Eddy Mechanism
6	1	Left Handrail Cover	56	1	Left Frame Cover
7	1	Right Handrail Cover	57	1	Drive Belt
8	2	Link Arm	58	2	M8 Jam Nut
9	1	Right Pedal	59	2	Large Snap Ring
10	1	Left Handlebar	60	1	Right Upright Cover
11	1	Right Handlebar	61	12	M8 x 20mm Screw
12	1	Left Handlebar Arm	62	8	M8 x 16mm Screw
13	1	Right Handlebar Arm	63	1	Right Shield Disc
14	1	Left Pedal Arm	64	2	M10 Washer
15	1	Right Pedal Arm	65	2	M12 x 55mm Hex Bolt
16	1	Left Outer Shield	66	2	M12 Locknut
17	1	Right Outer Shield	67	60	M4 x 16mm Screw
18	1	Left Inner Shield	68	6	M8 x 25mm Flat Head Screw
19	1	Right Inner Shield	69	2	M10 x 65mm Screw
20	1	Front Upright Cover	70	4	M4 x 12mm Round Head Screw
21	1	Rear Upright Cover	71	4	M8 x 14mm Shoulder Screw
22	1	Left Outer Arm Cover	72	4	Resistance Motor Screw
23	1	Right Outer Arm Cover	73	1	Right Frame Post Cover
24	1	Left Inner Arm Cover	74	1	Small Snap Ring
25	1	Right Inner Arm Cover	75	1	Left Frame Post Cover
26	1	Water Bottle Holder	76	1	Right Shield Cover
27	1	Holder Cap	77	2	Pedal Insert
28	2	Adjustment Knob/Set Screw	78	8	M6 x 12mm Screw
29	1	Right Grip	79	1	Belt Adjustment Screw
30	1	Resistance Motor	80	1	Right Pulse Wire
31	2	Handlebar Cover	81	1	Upper Wire
32	1	Idler	82	1	Lower Wire
33	2	Frame Foot	83	1	Power Receptacle/Wire
34	4	Handlebar Arm Bushing	84	1	Power Adapter
35	4	Link Arm Bushing	85	1	Left Pulse Wire
36	2	Pedal Arm Cap	86	1	Reed Switch/Wire
37	4	Pedal Arm Bushing	87	1	Clamp
38	2	Spring	88	2	Magnet
39	2	Link Arm Cap	89	2	Upper Pulse Grip
40	1	Crank	90	2	Lower Pulse Grip
41	1	Left Crank Bracket	91	2	Medium Snap Ring
42	2	Crank Cover Insert	92	9	M4 x 38mm Screw
43	2	Link Arm Bracket	93	1	Idler Screw
44	8	Crank Bearing	94	12	M6 Washer
45	2	Thrust Washer	95	1	Left Pedal
46	2	Pedal Arm Roller	96	1	Left Upright Cover
47	2	Large Crank Spacer	97	1	Pivot Screw
48	2	Crank Cover	98	1	Left Crank Bracket Spacer
49	2	Adjustment Pin	99	1	M5 x 16mm Flat Head Screw
50	4	Frame Bearing	100	4	M10 x 50mm Bolt

Key No.	Qty.	Description	Key No.	Qty.	Description
101	2	M10 Split Washer	125	2	Sliding Block
102	1	Left Shield Cover	126	4	End Block Assembly
103	1	Left Shield Disc	127	2	Pedal Arm Axle
104	1	Left Shield Insert	128	8	M6 x 36mm Bolt
105	7	M10 Locknut	129	2	Adjustment Assembly
106	10	M4 x 19mm Screw	130	4	M8 x 45mm Bolt
107	1	Right Pedal Handle	131	4	Guide Rod
108	1	Left Pedal Handle	132	8	M6 x 45mm Screw
109	2	M6 Acorn Nut	133	2	M10 x 20mm Screw
110	2	Cover Clip	134	8	M6 Locknut
111	4	M8 Locknut	135	6	M8 Washer
112	2	M10 x 123mm Screw	136	1	Access Cover
113	1	Right Pedal Plate	137	1	M6 Large Washer
114	1	Left Pedal Plate	138	4	M8 Split Washer
115	1	Right Shield Insert	139	9	M4 x 12mm Screw
116	2	Link Arm Cover	140	6	M4 x 30mm Screw
117	1	M10 x 46mm Bolt	141	2	M4 x 25mm Screw
118	1	Left Grip	142	4	M4 x 48mm Screw
119	1	Right Outer Adjustment Cover	143	1	Right Crank Bracket
120	1	Right Inner Adjustment Cover	144	1	Right Crank Bracket Spacer
121	1	Left Outer Adjustment Cover	145	2	Small Crank Spacer
122	1	Left Inner Adjustment Cover	*	–	Assembly Tool
123	2	Link Arm Bracket	*	–	User's Manual
124	2	Link Arm Spacer	*	–	Grease Packet

Note: Specifications are subject to change without notice. For information about ordering replacement parts, see the back cover of this manual. \*These parts are not illustrated.

# EXPLODED DRAWING A

Model No. PFEL59915.0 R0516A







---

# ORDERING REPLACEMENT PARTS

To order replacement parts, please see the front cover of this manual. To help us assist you, be prepared to provide the following information when contacting us:

- the model number and serial number of the product (see the front cover of this manual)
- the name of the product (see the front cover of this manual)
- the key number and description of the replacement part(s) (see the PART LIST and the EXPLODED DRAWING near the end of this manual)

## LIMITED WARRANTY

**IMPORTANT: To protect your fitness equipment with an extended service plan, see page 5.**

ICON Health & Fitness, Inc. (ICON) warrants this product to be free from defects in workmanship and material, under normal use and service conditions. The frame is warranted for the lifetime of the original purchaser (customer). Parts are warranted for three (3) years from the date of purchase. Labor is warranted for one (1) year from the date of purchase.

This warranty extends only to the original purchaser (customer). ICON's obligation under this warranty is limited to repairing or replacing, at ICON's option, the product through one of its authorized service centers. All repairs for which warranty claims are made must be preauthorized by ICON. If the product is shipped to a service center, freight charges to and from the service center will be the customer's responsibility. If replacement parts are shipped while the product is under warranty, the customer will be responsible for a minimal handling charge. For in-home service, the customer will be responsible for a minimal trip charge. This warranty does not extend to freight damage to the product. This warranty will automatically be voided if the product is used as a store display model, if the product is purchased or transported outside the USA, if all instructions in this manual are not followed, if the product is abused or improperly or abnormally used, or if the product is used for commercial or rental purposes. No other warranty beyond that specifically set forth above is authorized by ICON.

ICON is not responsible or liable for indirect, special, or consequential damages arising out of or in connection with the use or performance of the product; damages with respect to any economic loss, loss of property, loss of revenues or profits, loss of enjoyment or use, or costs of removal or installation; or other consequential damages of any kind. Some states do not allow the exclusion or limitation of incidental or consequential damages. Accordingly, the above limitation may not apply to the customer.

The warranty extended hereunder is in lieu of any and all other warranties, and any implied warranties of merchantability or fitness for a particular purpose are limited in their scope and duration to the terms set forth herein. Some states do not allow limitations on how long an implied warranty lasts. Accordingly, the above limitation may not apply to the customer.

This warranty provides specific legal rights; the customer may have other rights that vary from state to state.

**ICON Health & Fitness, Inc., 1500 S. 1000 W., Logan, UT 84321-9813**