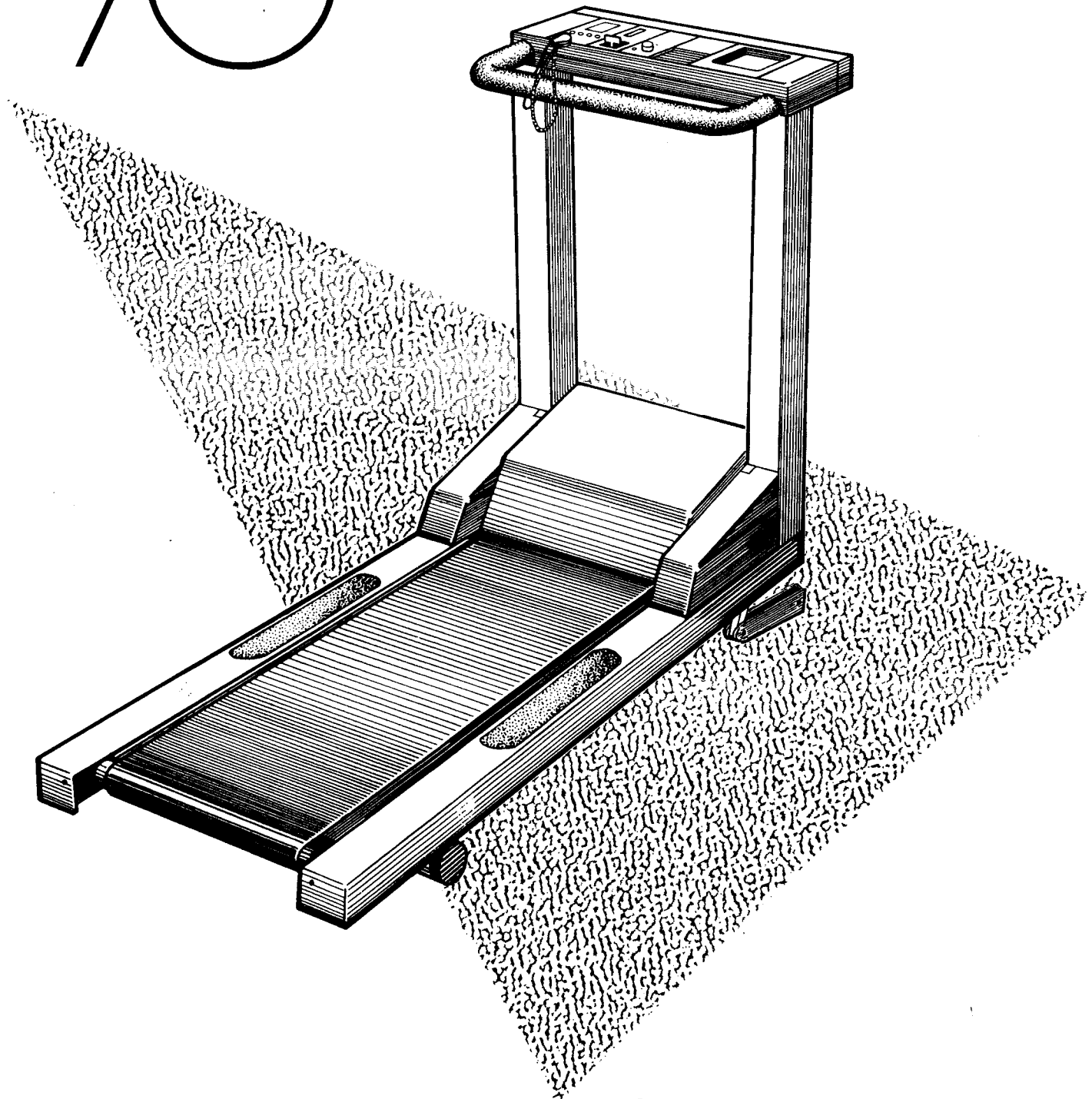


PRO-FORM

AUTO INCLINE

T70



OWNER'S MANUAL

PRO·FORM

T70

BEFORE YOU BEGIN

Thank you for purchasing a PRO FORM T70 Auto Incline treadmill. The PRO FORM T70 combines advanced technology with innovative design to let you enjoy one of the best forms of cardiovascular exercise at your convenience, in the privacy of your home.

For your benefit and safety, please read this manual carefully before initial use of the treadmill. If you have additional questions regarding assembly, parts, operation or the 90-day warranty, please call our **toll-free Customer Service line at 1-800-999-3756 (In Canada, 1-800-824-8949)** during regular business hours: Monday - Friday, 8 a.m. - 5 p.m. Mountain Standard Time.

In all communications regarding this product, please refer to the model number, found in the box below, and the serial number, found on the treadmill frame. Write the serial number in the box below for easy reference.

Model No. PFT 70 Serial No.
--

WARNING: Before beginning this or any exercise program consult your physician. This is especially important for individuals over the age of 35 or persons with pre-existing health problems. **Read all instructions before using. PRO FORM assumes no responsibility for personal injury or property damage sustained by or through the use of the PRO FORM treadmill.**

ASSEMBLY

For your convenience, your treadmill is shipped completely assembled. Simply place the treadmill in a clear area on the floor and remove all packing materials. Lift the handrails (12, 13) to the vertical position and tighten the two handrail locking knobs (21).

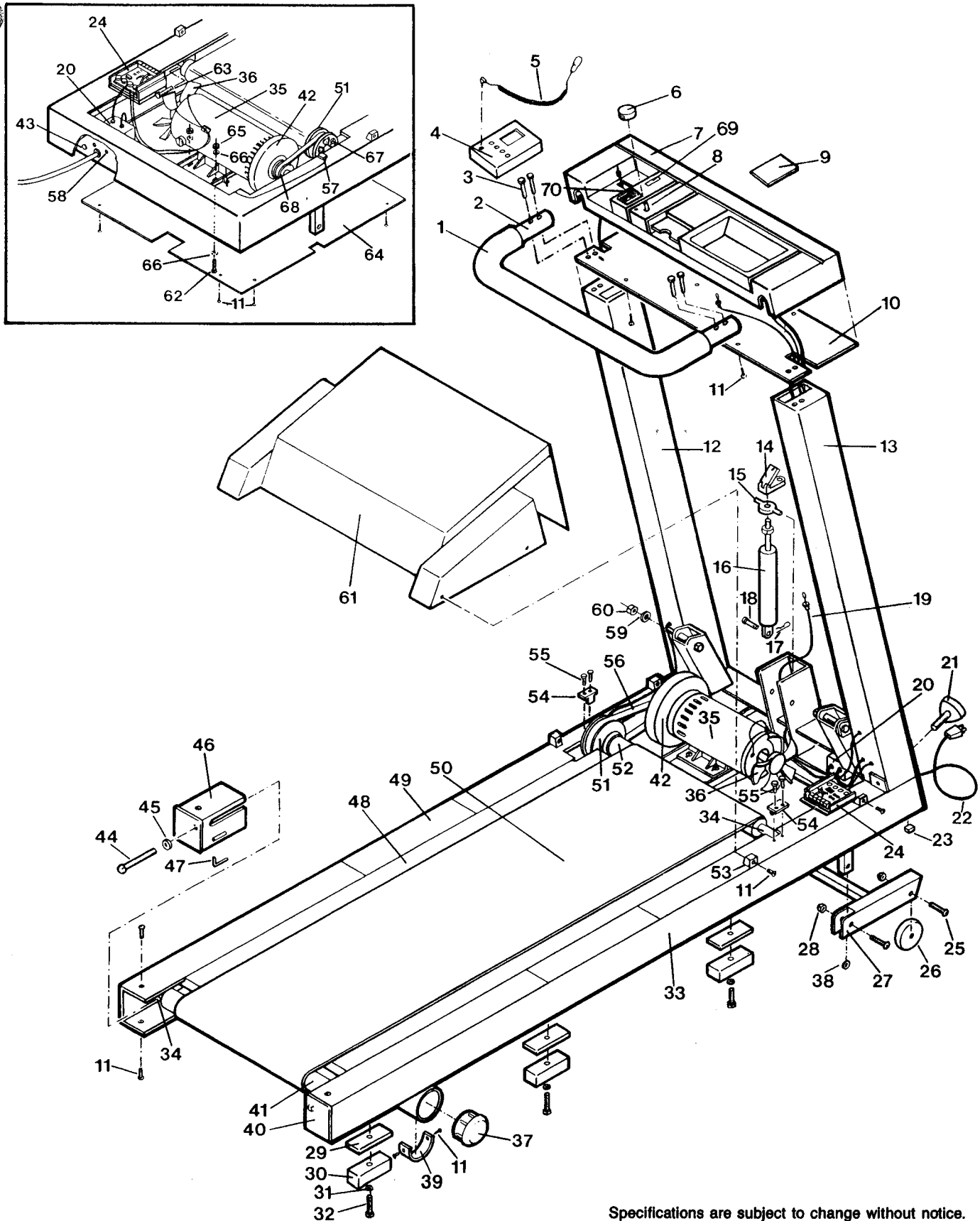
Check the underside of the electronic console (4) to be sure that the sensor wire (57) is plugged in. Be sure that all nuts and bolts are tightened securely before using the treadmill.

PART LIST - Model No. PFT70

Key No.	Qty.	Description	Key No.	Qty.	Description
1	1	Handrail Foam Grip	37	2	Leg End Cap
2	1	Handrail	38	2	Nylon Washer
3	4	Handrail Screw	39	2	Rubber Pad
4	1	Console	40	1	Right Belt Adjustment Bracket
5	1	Pulse Monitor Clip	41	1	Rear Roller
6	1	Speed Control Knob	42	1	Flywheel
7	1	Electronic Console Housing	43	1	Circuit Breaker
8	1	Potentiometer Assembly	44	2	Belt Adjustment Bolt
9	1	Safety Card	45	2	Washer
10	1	Housing Cover	46	1	Left Belt Adjustment Bracket
11	24	Screw	47	1	Allen Wrench
12	1	Left Handrail Post	48	1	Wood Platform
13	1	Right Handrail Post	49	2	Grip Tape
14	1	Lift Cylinder Release	50	1	Walking Belt
15	1	Shock Mount Eye Bracket	51	1	Roller Pulley
16	1	Lift Cylinder	52	1	Front Roller
17	1	Cotter Pin	53	4	Hood Mount Anchor
18	1	Cylinder Pin	54	2	Roller Lock
19	1	Incline Cable	55	4	Roller Lock Bolt
20	1	Connection Box	56	1	V-Belt
21	2	Handrail Locking Knob	57	1	Sensor Wire
22	1	Power Cord	58	2	Connection Box Screw
23	2	Rubber Bumper	59	4	Washer
24	1	Controller	60	2	Nut
25	4	Leg Bolt	61	1	Motor Hood
26	2	Wheel	62	4	Motor Mount Bolt
27	1	Incline Leg	63	1	Front Roller Bolt
28	4	Locknut	64	1	Safety Cover
29	6	Rubber Fitting	65	4	Motor Mount Nut
30	6	Wood Support	66	8	Motor Mount Washer
31	6	Support Washer	67	1	Magnet
32	6	Support Bolt	68	1	Motor Pulley
33	1	Frame	69	1	Incline Bubble Level
34	4	Roller Bushing	70	1	Incline Control
35	1	Motor		1	Owner's Manual
36	1	Fan		1	Electronics Console Guide

Replacement parts may be ordered by calling our Customer Service Department toll-free at **1-800-999-3756** (in Canada, **1-800-824-8949**) during regular business hours: Monday - Friday, 8 a.m. - 5 p.m. Mountain Standard Time. When ordering parts please use the product name, model number, serial number, part description and key number.

EXPLODED DRAWING - Model No. PFT70



Specifications are subject to change without notice.

OPERATION AND ADJUSTMENT

IMPORTANT SAFETY PRECAUTIONS

1. Do not operate the treadmill if the treadmill or power cord are damaged.
2. Never start the treadmill while you are standing on the walking belt.
3. Do not use the treadmill near water or outdoors.
4. Wear appropriate clothing when exercising on the treadmill. Do not wear flowing clothing that could become caught in the treadmill. Always wear running or aerobic shoes. Support clothes are also recommended for both men and women.
5. Keep small children away from the treadmill during operation.

TREADMILL OPERATION

1. Step onto the treadmill and place your feet on the Grip Tape on the sides of the Frame.
2. Insert the Safety Card into the On/Off Switch and press the Switch down to start the treadmill. (If the Safety Card becomes lost, a credit card can be used. The treadmill cannot be started unless a card is inserted.)
3. Turn the Speed Control counterclockwise until it stops, and then clockwise until the Walking Belt is moving at slow speed.
4. Holding the Handrail firmly, step onto the Walking Belt and begin walking.
5. Turn the Speed Control until the desired speed is reached. (Turning the Control clockwise increases the speed. Turning the Control counterclockwise decreases the speed.)
6. To turn the treadmill off, step onto the Grip Tape and press the On/Off Switch.

Instructions for the Electronic Console can be found in the Operation Guide accompanying this Owner's Manual.

INCLINE ADJUSTMENT

To increase or decrease the level of exercise difficulty, the angle of the treadmill can be adjusted with the Incline Control on the treadmill Console. *Do not adjust the incline while you are walking or running on the treadmill.* To raise the angle of the treadmill, stand with your feet on the sides of the Frame, towards the rear of the treadmill, and pull back the Incline Control. When the desired angle is reached, release the Incline Control. To lower the angle of the treadmill, stand towards the front of the treadmill and pull back the Incline Control until the desired angle is reached.

There is an Incline Indicator mounted above the Incline Control on the treadmill. When the bubble in the Indicator is at level 1 the treadmill is at the lowest incline. When the bubble is at level 5 the treadmill is at the highest incline.

WALKING BELT ADJUSTMENT

For smooth operation, and to prevent damage to the Walking Belt, always keep the Walking Belt centered. While the treadmill is running, check the spaces between the edges of the Walking Belt and the sides of the Frame. If the Belt is closer to one side than to the other, it should be adjusted as described below.

1. IF THE BELT HAS SHIFTED TO THE RIGHT SIDE: Turn the treadmill on at slow speed. Use the Allen Wrench included to turn the right-hand Adjustment Bolt clockwise and the left-hand Adjustment Bolt counterclockwise. (The Adjustment Bolts are located at the back end of the treadmill Frame.) Turn the Bolts 1/3 of a turn at a time until the Belt moves to the center.
2. IF THE BELT HAS SHIFTED TO THE LEFT SIDE: Use the Allen Wrench to turn the right-hand Adjustment Bolt counterclockwise and the left-hand Adjustment Bolt clockwise.

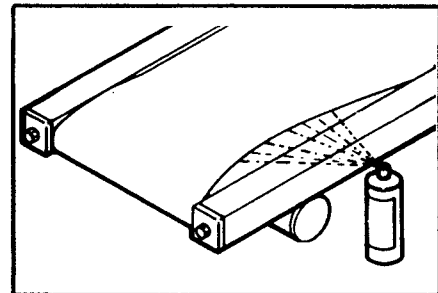
If the Walking Belt slips during operation, the tension on the Belt may need adjustment. Simply turn both Adjustment Bolts clockwise until the Belt no longer slips. Be careful to keep the Belt centered.

For convenience, the Allen Wrench can be attached to one of the Adjustment Brackets with the self-adhesive tab included.

MAINTENANCE AND STORAGE

The PRO FORM T70 is designed to be virtually maintenance-free. To insure continued smooth operation the following steps should be taken.

1. Use silicone lubricant spray under the Walking Belt before initial use, and whenever a decrease in performance is noticed.
2. Tighten all screws and bolts.
3. Clean exposed surfaces with a soft cloth and non-abrasive detergent.



This treadmill has a Circuit Breaker, located on the lower front end of the Frame, designed to prevent burnout of the Motor. If the Motor overheats, the small black button in the Circuit Breaker will protrude, and the treadmill will stop or will not start. To reset the Circuit Breaker, allow the Motor to cool and then push the button back in.

STORAGE

Your treadmill can be quickly converted to a compact storage position. Simply unscrew the locking knobs from the handrail posts and fold the handrail down onto the frame.

To move the treadmill, unplug the power cord and lift up the back end of the frame. The treadmill can be either pushed or pulled on the front wheels.

When not in use, keep the treadmill in a cool, dry place. Do not stack heavy objects on the treadmill. Remove the batteries from the electronic console when storing for long periods of time.

CONDITIONING GUIDELINES

The following guidelines will help you to plan and regulate your personal fitness program. Remember that adequate rest and good nutrition are also essential to the success of any fitness program. For more complete and detailed information consult your physician or obtain a book at your library.

EXERCISE INTENSITY

To maximize health benefits from exercising, your level of exertion must exceed mild demands while falling short of causing breathlessness and fatigue. The proper level of exertion can be determined using the heart rate as a guide. For effective aerobic exercise the heart rate must be maintained at a level between 70% and 85% of your maximum heart rate. This is your "Training Zone."

You can determine your Training Zone by consulting the table below. Training Zones are given for both conditioned and unconditioned persons. Use the column that is appropriate for you.

AGE	UNCONDITIONED TRAINING ZONE (BEATS/MIN)	CONDITIONED TRAINING ZONE (BEATS/MIN)	AGE	UNCONDITIONED TRAINING ZONE (BEATS/MIN)	CONDITIONED TRAINING ZONE (BEATS/MIN)
20	138-167	133-162	55	127-155	122-149
25	136-166	132-160	60	126-153	121-147
30	135-164	130-158	65	125-151	119-145
35	134-162	129-156	70	123-150	118-144
40	132-161	127-155	75	122-147	117-142
45	131-159	125-153	80	120-146	115-140
50	129-156	124-150	85	118-144	114-139

During the first few weeks of your exercise program you should keep your heart rate near the low end of your Training Zone. Over the course of a few months, gradually increase your heart rate until you reach the high end of your Training Zone. As your condition improves, a greater workload will be required in order to raise your heart rate to your Training Zone.

You can measure your heart rate and find the proper level of exercise intensity using the electronic console (see the ELECTRONIC CONSOLE OPERATION GUIDE). First, set the console for 4 minutes. Press the "START/STOP" key and exercise at a comfortable pace until the 4 minutes elapse. Immediately measure your heart rate using the PULSE function. If your heart rate is below your Training Zone increase your level of exertion. If your heart rate is too high, reduce your level of exertion.

EXERCISE FREQUENCY

Each workout should consist of a basic 5-step pattern.

1. At rest
2. Warm-up
3. Training Zone exercise
4. Cool-down
5. At rest

Warming up is an important part of your workout and should not be taken lightly. Warming up prepares the body for more strenuous exercise by increasing the circulation, delivering more oxygen to the muscles, and raising the body temperature. This can be done by stretching and light calisthenics for 5-10 minutes prior to exercising.

Begin exercising at a light pace for a few minutes. Then increase the intensity to raise your heart rate to your Training Zone for a period of 20-30 minutes.

Cooling down after vigorous exercise is important in aiding circulation and preventing soreness. 5-10 minutes of light exercise or stretching will allow the body to cool down.

EXERCISE FREQUENCY

To maintain or improve your condition you must work out 2-3 times per week following the pattern described above. A day of rest between workouts is recommended. After several months of exercise the number of workouts can be increased to 4-5 times per week. The key to a successful program is REGULAR EXERCISE.

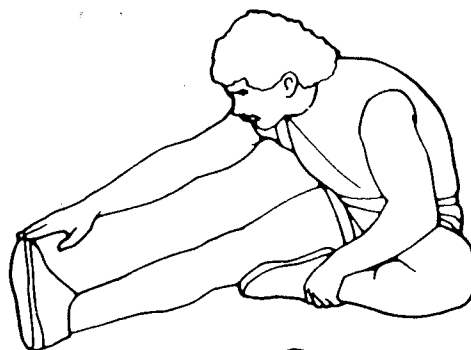
STRETCHING

The following stretches provide a good warm-up. Each position should be held for 15 counts and performed for three repetitions. Stretch slowly — don't bounce.

HAMSTRING STRETCH

Sit with one leg extended. Bring the sole of the opposite foot in, resting against the extended leg's inner thigh. Stretch toward your toe as far as possible. Hold for 15 counts, then relax. Repeat.

Stretches: Hamstrings, lower back and groin.



INNER THIGH STRETCH

Sit with the soles of your feet together and knees pointing outward. Pull your feet as close into the groin area as possible. Gently push your knees as close to the floor as possible. Hold for 15 counts. Repeat.

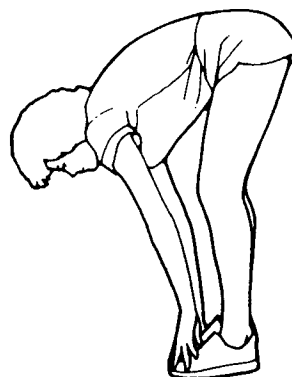
Stretches: Inner thigh muscles.



TOE TOUCHES

With knees slightly bent, slowly bend forward from the hips. Allow back and shoulders to relax as you stretch toward your toes. Go down as far as you can and hold for 15 counts. Repeat.

Stretches: Hamstrings, back of knees, back.



QUADRICEPS STRETCH

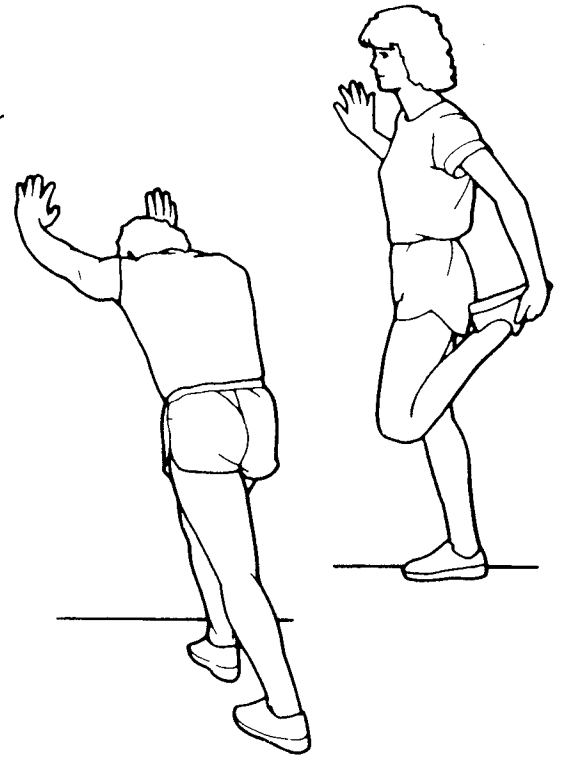
With one hand against a wall for balance, reach behind you and pull up your foot. Bring your heel as close to your buttocks as possible. Hold for 15 counts. Repeat.

Stretches: Quadriceps, hip muscles.

CALF/ACHILLES STRETCH

With one leg in front of the other and arms forward, lean against the wall. Keep your back leg straight and back foot flat on the floor; then bend the front leg and lean forward by moving your hips toward the wall. Hold, then repeat on the other side for 15 counts. To cause further stretching of the achilles tendons, slightly bend back leg as well.

Stretches: Calves, achilles tendons, and ankles.



FULL 90 DAY WARRANTY ON PARTS

For 90 days from the date of purchase, when proper assembly and maintenance procedures detailed in the Owner's Manual are followed, Pro Form will, free of charge, repair or replace any defective part, when this treadmill is used in a normal manner.

This warranty does not apply when the treadmill is used for commercial or rental purposes.

In the event that the treadmill needs to be returned for repair, the shipping costs will be assessed to the customer.

This warranty gives you specific legal rights, and you may also have other rights which vary from state to state.