

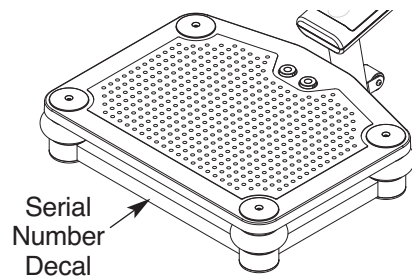
PRO-FORM[®]

ACTIVATOR[™] V3

www.proform.com

Model No. PFVB09988.0
Serial No. _____

Write the serial number in the space above for reference.



USER'S MANUAL

QUESTIONS?

If you have questions, or if parts are damaged or missing, **PLEASE DO NOT CONTACT THE STORE;** please contact Customer Care.

IMPORTANT: Please register this product (see the limited warranty on the back cover of this manual) before contacting Customer Care.

CALL TOLL-FREE:

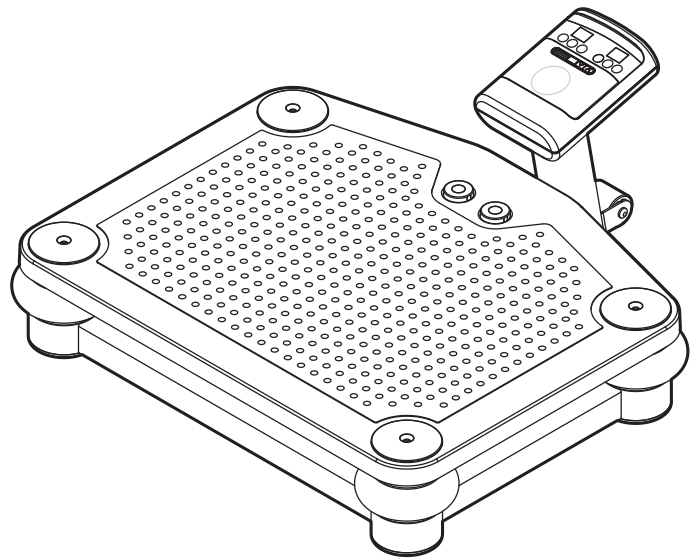
1-888-533-1333

Mon.-Fri. 6 a.m.-6 p.m. MT

Sat. 8 a.m.-4 p.m. MT

ON THE WEB:

www.proformservice.com



CAUTION

Read all precautions and instructions in this manual before using this equipment. Keep this manual for future reference.



TABLE OF CONTENTS

WARNING DECAL PLACEMENT 2

IMPORTANT PRECAUTIONS 3

BEFORE YOU BEGIN 5

ASSEMBLY 6

HOW TO USE THE VIBRATION PLATFORM 9

TROUBLESHOOTING 12

PART LIST 14

EXPLODED DRAWING 15

ORDERING REPLACEMENT PARTS Back Cover


LIMITED WARRANTY Back Cover

WARNING DECAL PLACEMENT

The warning decals shown here have been applied in the locations shown. **If a decal is missing or illegible, see the front cover of this manual and request a free replacement decal. Apply the decal in the location shown.** Note: The decals may not be shown at actual size.

⚠ WARNING

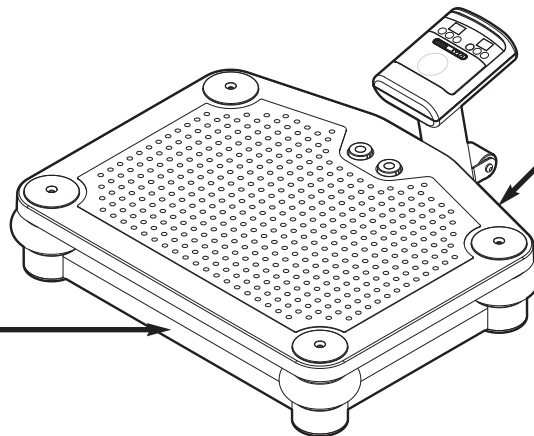
- Misuse of this machine may result in serious injury.
- Read user's manual prior to use and follow all warnings and instructions.
- Do not allow children on or around machine.
- Keep body, clothing, and hair free and clear of all moving parts.
- Replace label if damaged, illegible, or removed.



⚠ WARNING

User Weight: Max 300 LBS
 Weight Crutch: Max 310 LBS
 Leg Developer: Max 150 LBS
 Weight Carriage: Max 150 LBS
 Chest Fly Per Arm: Max 50 LBS

Product may not offer all listed exercises.



IMPORTANT PRECAUTIONS

⚠️ WARNING: To reduce the risk of serious injury, read all important precautions and instructions in this manual and all warnings on the vibration platform before using the vibration platform. ICON assumes no responsibility for personal injury or property damage sustained by or through the use of this product.

1. Before beginning any exercise program, consult your physician. This is especially important for persons over age 35 or persons with pre-existing health problems.
2. It is the responsibility of the owner to ensure that all users of the vibration platform are adequately informed of all precautions.
3. The vibration platform is intended for home use only. Do not use the vibration platform in a commercial, rental, or institutional setting.
4. Keep the vibration platform indoors, away from moisture and dust. Place the vibration platform on a level surface, with a mat beneath it to protect the floor or carpet. Do not place the vibration platform in a garage or covered patio, or near water.
5. Inspect and properly tighten all parts regularly. Replace any worn parts immediately.
6. Keep children under age 12 and pets away from the vibration platform at all times.
7. The vibration platform should not be used by persons weighing more than 300 lbs. (136 kg).
8. Never allow more than one person on the vibration platform at a time.
9. Keep your back straight while using the vibration platform; do not arch your back. When standing on the vibration platform, bend your knees slightly and balance your weight on the balls of your feet.
10. It is recommended that you use the vibration platform no more than 15 minutes per day and no more than 3 times per week.
11. Be careful when stepping down from the vibration platform; your muscles will feel different after you exercise on the vibration platform.
12. The following is a list of factors and conditions that may make exercising on the vibration platform inadvisable (this list is not exhaustive; it is intended only for reference). If one or more factors or conditions apply to you, consult your physician before using the vibration platform.
 - Knee or hip implant
 - Pacemaker
 - Recently placed screws, pins, bolts, or spirals
 - Acute hernia, discopathy, or spondylitis
 - Serious heart or vascular disease
 - Acute thrombosis
 - Tumor
 - Serious migraine
 - Epilepsy
 - Serious diabetes
 - Recent wound due to operation
 - Fresh inflammation
 - Pregnancy
13. Over exercising may result in serious injury or death. If you feel faint or if you experience pain while exercising, stop immediately and cool down.
14. When connecting the power cord (see page 9), plug the power cord into a surge suppressor (not included) and plug the surge suppressor into a grounded outlet capable of carrying 15 or more amps. No other appliance should be on the same circuit as the vibration platform. Do not use an extension cord.

15. Use only a single-outlet surge suppressor that meets all of the specifications described on page 9. To purchase a surge suppressor, see your local PROFORM dealer or call the telephone number on the front cover of this manual and order part number 146148, or see your local electronics store.

16. Keep the power cord away from heated surfaces.

17. Never leave the vibration platform unattended while it is running. Always unplug

the power cord and switch the reset/off circuit breaker to the off position when the vibration platform is not in use. (See the drawing on page 5 for the location of the circuit breaker.)

18. **DANGER:** Always unplug the power cord when the vibration platform is not in use and before cleaning the vibration platform. Servicing other than the procedures in this manual should be performed by an authorized service representative only.

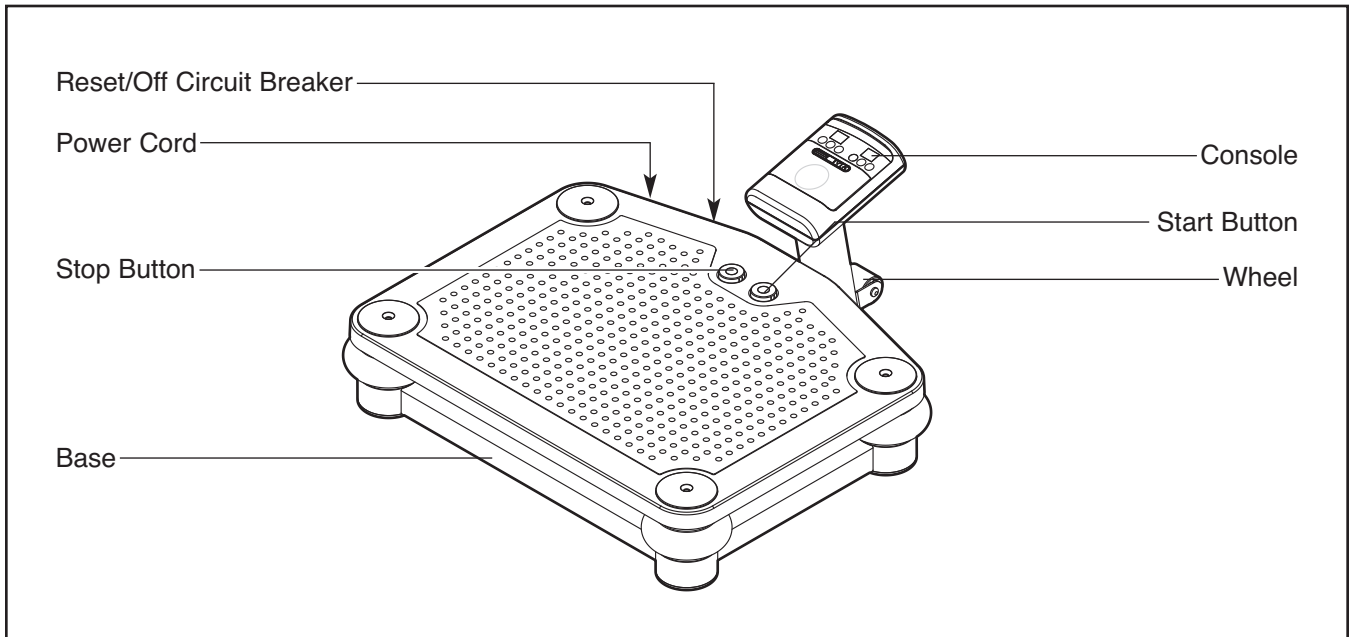
BEFORE YOU BEGIN

Thank you for selecting the revolutionary PROFORM® ACTIVATOR V3 vibration platform. The ACTIVATOR V3 vibration platform offers whole body vibration options designed to make your workouts effective and enjoyable.

For your benefit, read this manual carefully before you use the vibration platform. If you have questions after reading this manual, please see the front

cover of this manual. To help us assist you, note the product model number and serial number before contacting us. The model number and the location of the serial number decal are shown on the front cover of this manual.



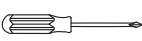
Before reading further, please familiarize yourself with the parts that are labeled in the drawing below.



ASSEMBLY

- To hire an authorized service technician to assemble the vibration platform in your home, call 1-800-445-2480.
- Assembly requires two persons.
- Because of its size and weight, assemble the vibration platform in the location where it will be used. Make sure that there is enough clearance to walk around the vibration platform as you assemble it.
- Place all parts in a cleared area and remove the packing materials. Do not dispose of the packing materials until you complete all assembly steps.

- The following tools (not included) may be required for assembly:

- one adjustable wrench 
- one rubber mallet 
- one Phillips screwdriver 

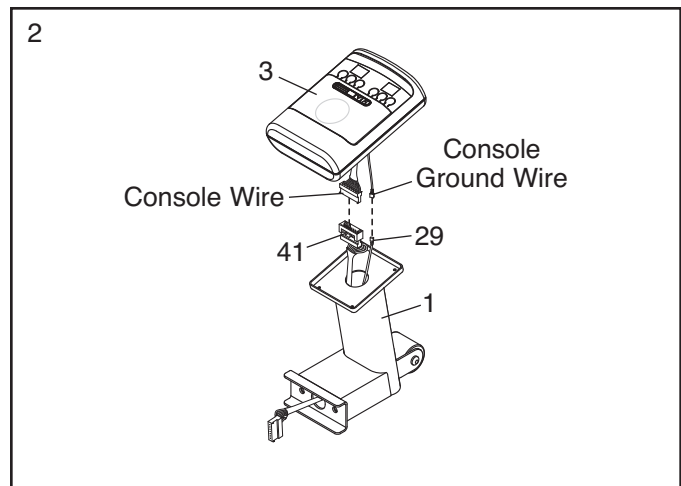
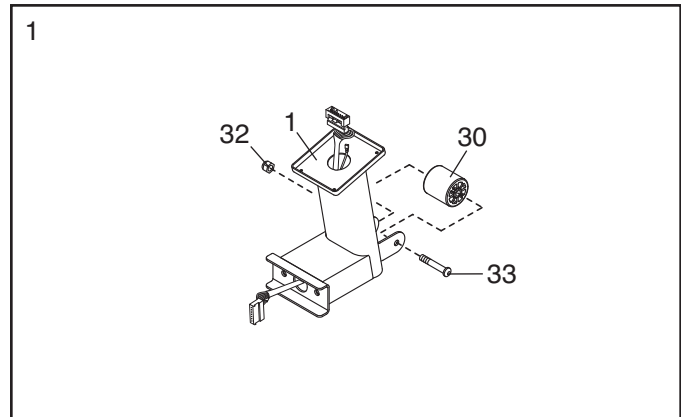
Assembly will be more convenient if you have a socket set, a set of open-end or closed-end wrenches, or a set of ratchet wrenches.

1. Before beginning assembly, make sure that you have read and understand the information in the box above.

Attach the Wheel (30) to the wheel bracket on the Upright (1) with an M10 x 76mm Bolt (33) and an M10 Locknut (32). **Do not overtighten the Locknut; the Wheel must rotate easily.**

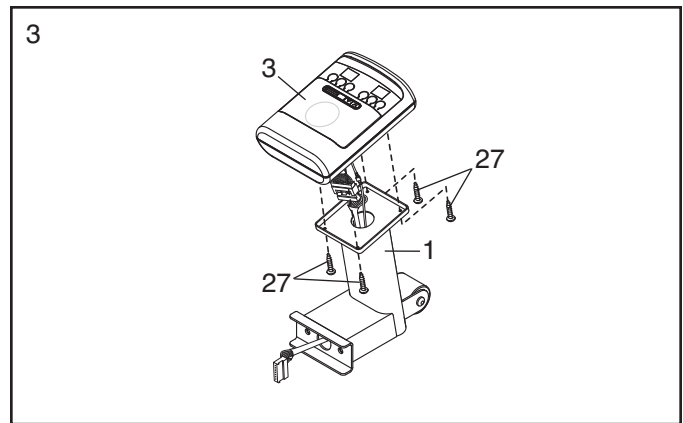
Note: If the Wheel (30) rattles when the vibration platform is in use, tighten the M10 Locknut (32) until the rattling stops.

2. Locate the Wire Harness (41) and the Ground Wire (29) inside the Upright (1). Connect the Wire Harness to the wire harness on the Console (3). Next, connect the Ground Wire to the ground wire on the Console. Then, insert the wires into the Upright.

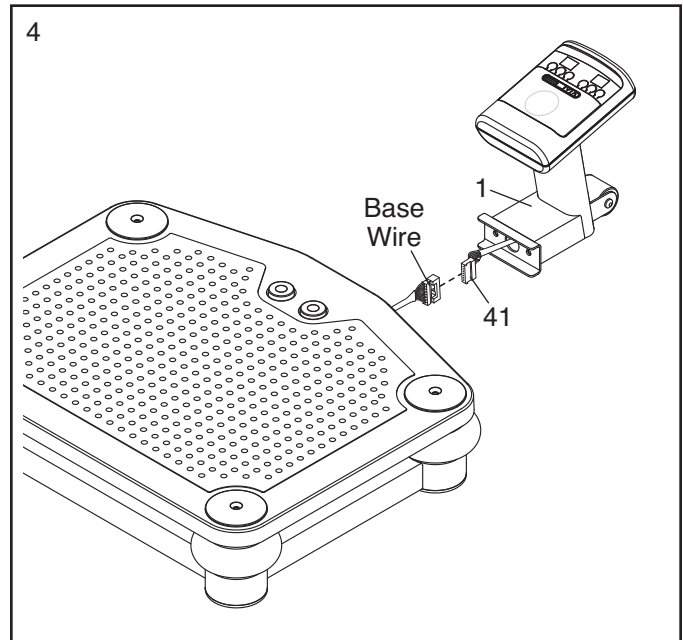


3. **Tip: Be careful not to pinch the wires during this step.**

Attach the Console (3) to the Upright (1) with four M4 x 16mm Self-tapping Screws (27).



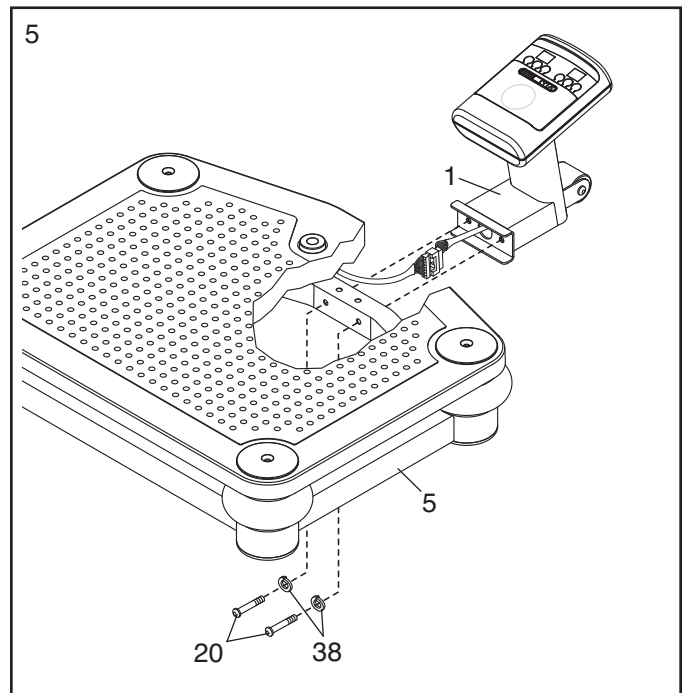
4. Locate the Wire Harness (41) inside the Upright (1). Connect the Wire Harness to the base wire as shown. Then, insert the wires into the Upright.



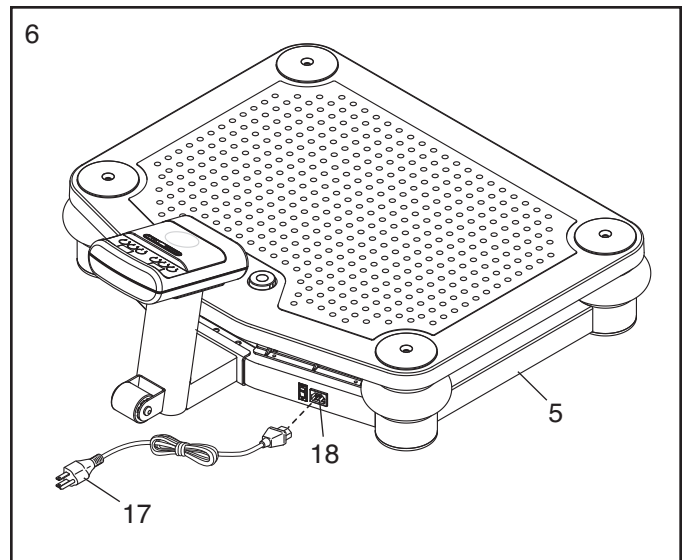
5. **Tip: Be careful not to pinch the wires during this step.**

With the help of a second person, carefully tip the Base (5) onto its side.

Attach the Upright (1) to the Base (5) with two M10 x 55mm Patch Screws (20) and two M10 Split Washers (38).



6. Plug the Power Cord (17) into the Receptacle (18) on the Base (5).



7. Make sure that all parts are properly tightened before you use the vibration platform.

HOW TO USE THE VIBRATION PLATFORM

HOW TO PLUG IN THE POWER CORD

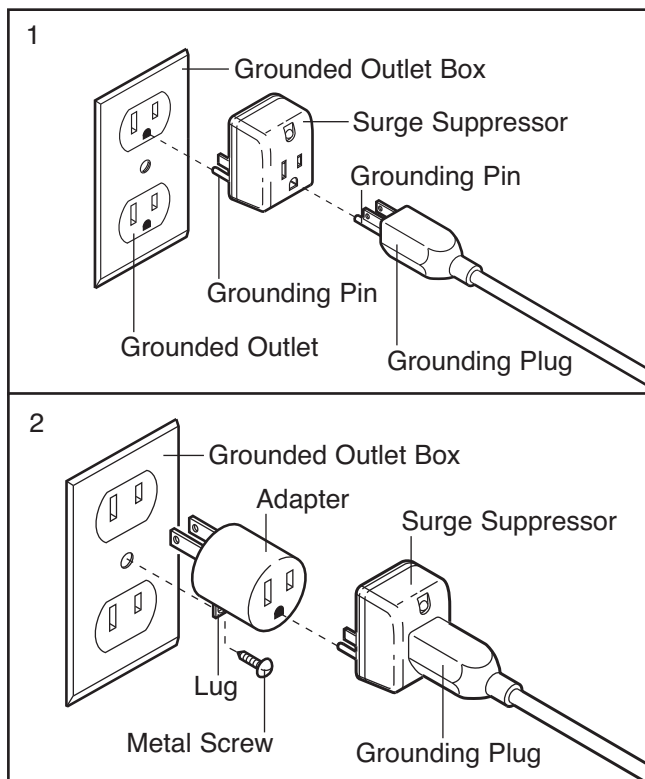
⚠ DANGER: Improper connection of the equipment-grounding conductor can result in an increased risk of electric shock. Check with a qualified electrician or serviceman if you are in doubt as to whether the product is properly grounded. Do not modify the plug provided with the product—if it will not fit the outlet, have a proper outlet installed by a qualified electrician.

Your vibration platform, like any other type of sophisticated electronic equipment, can be seriously damaged by sudden voltage changes in your home's power. Voltage surges, spikes, and noise interference can result from weather conditions or from other appliances being turned on or off. **To decrease the possibility of your vibration platform being damaged, always use a surge suppressor with your vibration platform (see drawing 1 at the right). To purchase a surge suppressor, see your local PRO-FORM store or call the telephone number on the front cover of this manual and order part number 146148, or see your local electronics store.**

Use only a single-outlet surge suppressor that is UL 1449 listed as a transient voltage surge suppressor (TVSS). The surge suppressor must have a UL suppressed voltage rating of 400 volts or less and a minimum surge dissipation of 450 joules. The surge suppressor must be electrically rated for 120 volts AC and 15 amps. There must be a monitoring light on the surge suppressor to indicate whether it is functioning properly.

This product must be grounded. If it should malfunction or break down, grounding provides a path of least resistance for electric current to reduce the risk of electric shock. This product is equipped with a cord having an equipment-grounding conductor and a grounding plug. **Plug the power cord into a surge suppressor, and plug the surge suppressor into an appropriate outlet that is properly installed and grounded in accordance with all local codes and ordinances. IMPORTANT: The vibration platform is not compatible with GFCI-equipped outlets.**

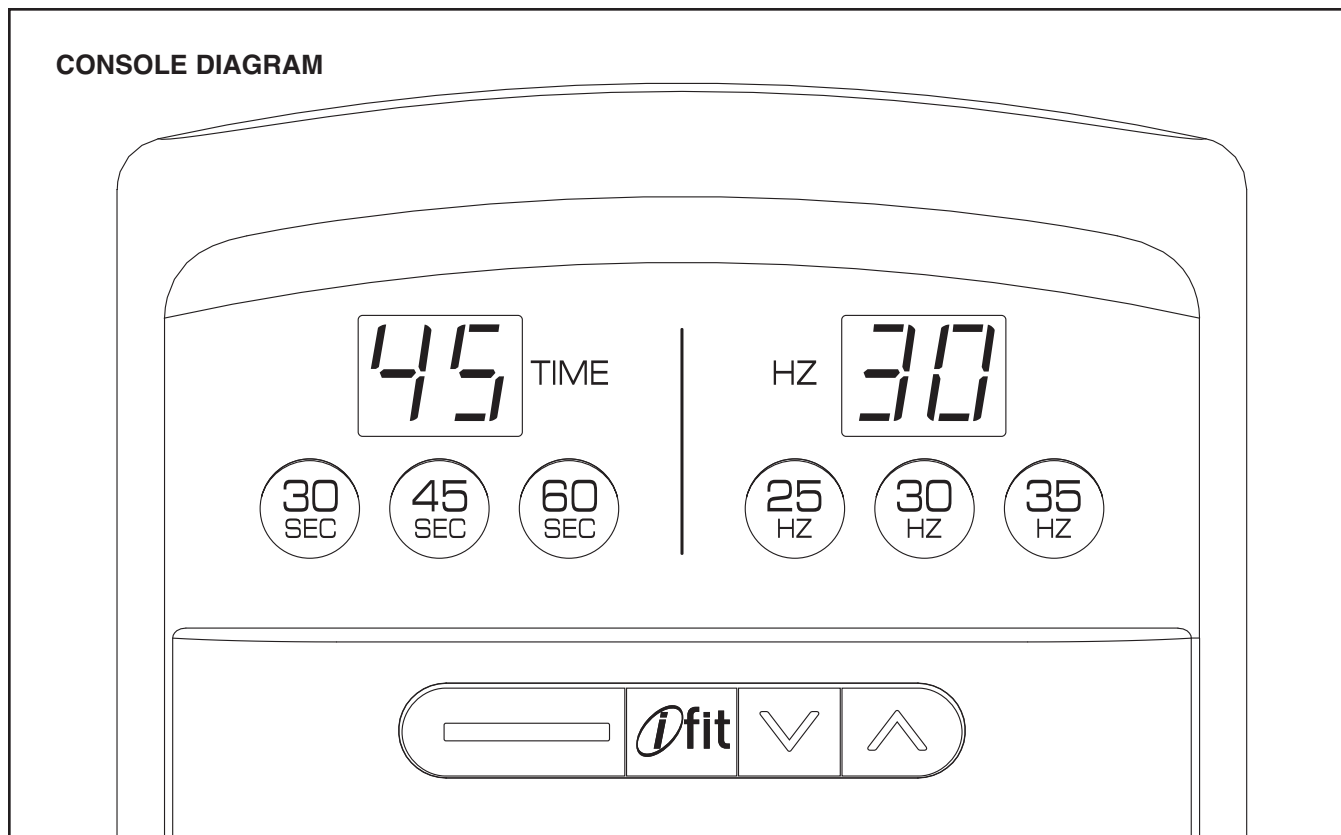
This product is for use on a nominal 120-volt circuit, and has a grounding plug that looks like the plug illustrated in drawing 1 below. A temporary adapter that looks like the adapter illustrated in drawing 2 may be used to connect the surge suppressor to a 2-pole receptacle as shown in drawing 2 if a properly grounded outlet is not available.



The temporary adapter should be used only until a properly grounded outlet (drawing 1) can be installed by a qualified electrician.

The green-colored rigid ear, lug, or the like extending from the adapter must be connected to a permanent ground such as a properly grounded outlet box cover. Whenever the adapter is used it must be held in place by a metal screw. **Some 2-pole receptacle outlet box covers are not grounded. Contact a qualified electrician to determine if the outlet box cover is grounded before using an adapter.**

CONSOLE DIAGRAM



CONSOLE FEATURES

The console offers a selection of features designed to make your workouts more effective and enjoyable. You can change the time and frequency of your vibration sessions with the touch of a button.

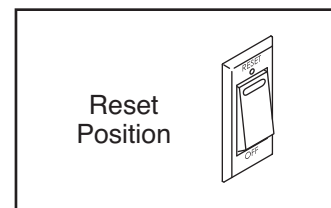
The console also features the new iFit interactive workout system. The iFit interactive workout system is compatible with iFit cards containing workout programs designed to help you achieve specific fitness goals. iFit programs control the time and frequency of the vibration platform while the voice of a personal trainer coaches you and motivates you through your workouts. iFit cards are available separately. **To purchase iFit cards, go to www.iFit.com or call the telephone number on the front cover of this manual. iFit cards are also available at select stores.**

HOW TO TURN ON THE POWER

IMPORTANT: If the vibration platform has been exposed to cold temperatures, allow it to warm to room temperature before turning on the power. If you do not do this, you may damage the console or other electronic components.

Plug the power cord into the receptacle on the base of the vibration platform (see assembly step 6 on page 8). Then, plug the power cord into a 120-volt outlet. Next,

locate the reset/off circuit breaker on the vibration platform near the power cord. Make sure that the circuit breaker is in the reset position.



EXERCISE FORM

See the accompanying exercise DVD to learn the correct form for several exercises that can be performed on the vibration platform. When standing on the vibration platform, bend your knees slightly and balance your weight on the balls of your feet.

HOW TO USE THE MANUAL MODE

1. Turn on the power.

See HOW TO TURN ON THE POWER on page 10.

2. Select the desired vibration time.

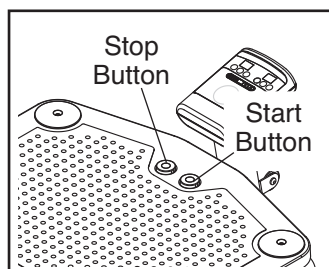
Press the desired time button to select a vibration time of 30, 45, or 60 seconds. The display will show which length of time you have selected.

3. Select the desired vibration frequency.

Press the desired frequency button to select a vibration frequency of 25, 30, or 35 hertz. The display will show which frequency you have selected.

4. Start a vibration session.

Press the start button on the platform to start a vibration session.



5. Stop or pause a vibration session.

Press the stop button (see the drawing above) on the platform to stop or pause a vibration session. Press the start button to continue the vibration session.

Note: When the session ends, a tone will sound to alert you, and the vibration platform will automatically stop.

6. Start additional vibration sessions as desired.

Repeat steps 2–5 for as many additional vibration sessions as desired. **IMPORTANT: It is recommended that you use the vibration platform for no more than 15 minutes per day and no more than 3 times per week.**

7. When you are finished, switch the reset/off switch to the off position and unplug the power cord.

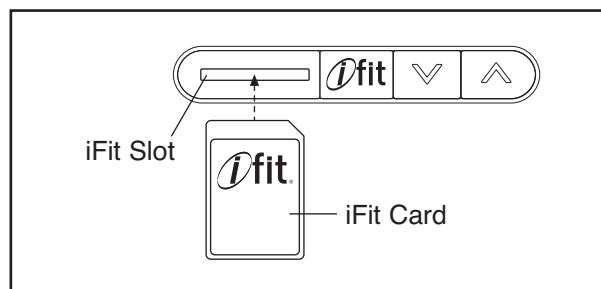
HOW TO USE AN IFIT PROGRAM

1. Turn on the power.

See HOW TO TURN ON THE POWER on page 10.

2. Insert an iFit card and select a program.

To use an iFit program, insert an iFit card into the iFit slot; make sure that the iFit card is oriented so the metal contacts are face down and are facing the slot. When the iFit card is properly inserted, the indicator next to the slot will light and the number of the iFit program will appear in the display.



Next, select the desired program on the iFit card by pressing the increase and decrease buttons next to the iFit slot.

A moment after you select a program, the voice of a personal trainer will begin guiding you through your workout.

3. When you are finished exercising, remove the iFit card.

Remove the iFit card when you are finished exercising. Store the iFit card in a secure place.

TROUBLESHOOTING

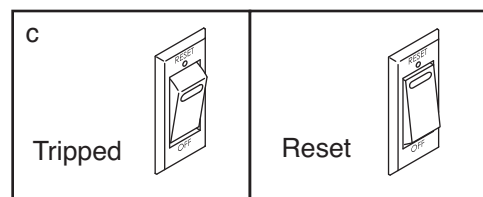
Inspect all parts of the vibration platform regularly. Replace any worn parts immediately. Outer surfaces of the vibration platform can be cleaned with a damp cloth and a mild, non-abrasive detergent; **do not use solvents to clean the vibration platform.**

Most vibration platform problems can be solved by following the simple steps below. Find the symptom that applies, and follow the steps listed. If further assistance is needed, call the telephone number on the front cover of this manual.

PROBLEM: The power does not turn on

SOLUTION: a. Make sure that the power cord is plugged into a surge suppressor, and that the surge suppressor is plugged into a properly grounded outlet (see page 9). Use only a single-outlet surge suppressor that meets all of the specifications described on page 9. **IMPORTANT: The vibration platform is not compatible with GFCI-equipped outlets.**

- b. Check the reset/off circuit breaker located on the vibration platform base near the power cord. If the switch protrudes as shown, the circuit breaker has tripped. To reset the circuit breaker, wait for five minutes and then press the switch back in.



PROBLEM: The power turns off during use

SOLUTION: a. Check the reset/off circuit breaker (see the drawing above). If the circuit breaker has tripped, wait for five minutes and then press the switch back in.

- b. Make sure that the power cord is plugged in. If the power cord is plugged in, unplug it, wait for five minutes, and then plug it back in.
- c. If the vibration platform still will not run, please see the front cover of this manual.

NOTES

PART LIST—Model No. PFVB09988.0

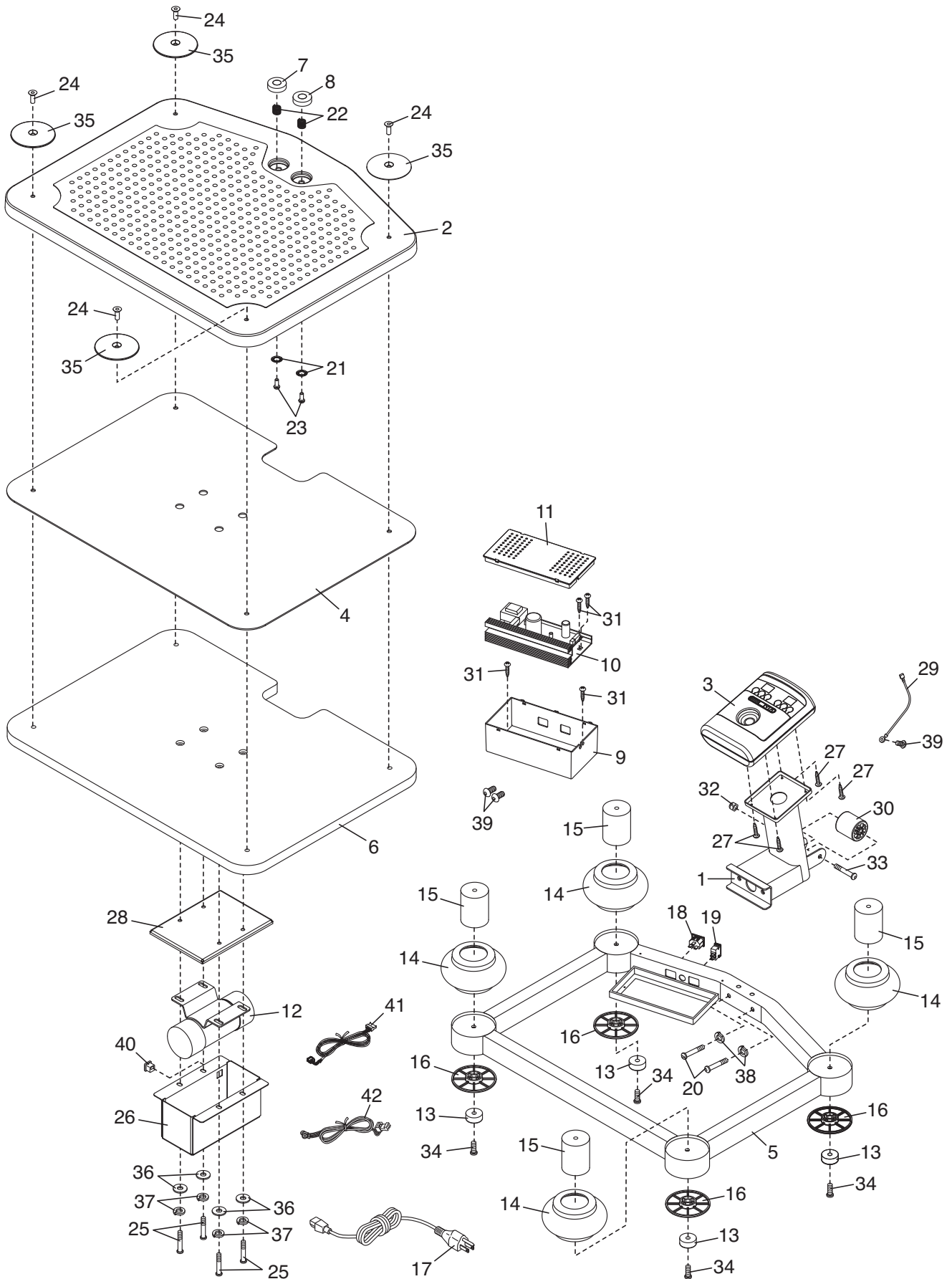
R1209A

Key No.	Qty.	Description	Key No.	Qty.	Description
1	1	Upright	24	4	M10 x 46mm Flat Head Screw
2	1	Platform Cover	25	4	M8 x 30mm Screw
3	1	Console	26	1	Motor Cover
4	1	Platform Plate	27	4	M4 x 16mm Self-tapping Screw
5	1	Base	28	1	Motor Mounting Bracket
6	1	Vibration Platform	29	1	Ground Wire
7	1	Stop Button	30	1	Wheel
8	1	Start Button	31	4	M4 x 8mm Screw
9	1	Controller Box	32	1	M10 Locknut
10	1	Controller	33	1	M10 x 76mm Bolt
11	1	Controller Cover	34	4	M10 x 35mm Screw
12	1	Motor	35	4	Frame Cover
13	4	Foot	36	4	M8 Washer
14	4	Shock Absorber Cover	37	4	M8 Split Washer
15	4	Shock Absorber	38	2	M10 Split Washer
16	4	Platform Cap	39	3	M4 x 12mm Screw
17	1	Power Cord	40	1	Grommet
18	1	Receptacle	41	1	Wire Harness
19	1	Reset/Off Circuit Breaker	42	1	Switch Wire Harness
20	2	M10 x 55mm Patch Screw	*	—	Wiring Tie
21	2	Star Washer	*	—	Assembly Tool
22	2	Spring	*	—	User's Manual
23	2	M8 x 16mm Screw	*	—	DVD

Note: Specifications are subject to change without notice. For information about ordering replacement parts, see the back cover of this manual. *These parts are not illustrated.

EXPLODED DRAWING—Model No. PFVB09988.0

R1209A



ORDERING REPLACEMENT PARTS

To order replacement parts, please see the front cover of this manual. To help us assist you, be prepared to provide the following information when contacting us:

- the model number and serial number of the product (see the front cover of this manual)
- the name of the product (see the front cover of this manual)
- the key number and description of the replacement part(s) (see the PART LIST and the EXPLODED DRAWING near the end of this manual)

LIMITED WARRANTY

IMPORTANT: You must register this product within 30 days of the purchase date to avoid added fees for service needed under warranty. Go to www.proformservice.com/registration.

ICON Health & Fitness, Inc. (ICON) warrants this product to be free from defects in workmanship and material, under normal use and service conditions. Parts and labor are warranted for one (1) year from the date of purchase.

This warranty extends only to the original purchaser. ICON's obligation under this warranty is limited to repairing or replacing, at ICON's option, the product through one of its authorized service centers. All repairs for which warranty claims are made must be preauthorized by ICON. If the product is shipped to a service center, freight charges to and from the service center will be the customer's responsibility. For replacement parts shipped while the product is under warranty, the customer will be responsible for a minimal handling charge. For in-home service, the customer will be responsible for a minimal trip charge. This warranty does not extend to any damage to a product caused by or attributable to freight damage, abuse, misuse, improper or abnormal usage, or repairs not provided by an ICON authorized service center; to products used for commercial or rental purposes or as store display models; or to products transported or purchased outside the US. No other warranty beyond that specifically set forth above is authorized by ICON.

ICON is not responsible or liable for indirect, special, or consequential damages arising out of or in connection with the use or performance of the product; damages with respect to any economic loss, loss of property, loss of revenues or profits, loss of enjoyment or use, or costs of removal or installation; or other consequential damages of whatsoever nature. Some states do not allow the exclusion or limitation of incidental or consequential damages. Accordingly, the above limitation may not apply to you.

The warranty extended hereunder is in lieu of any and all other warranties, and any implied warranties of merchantability or fitness for a particular purpose are limited in their scope and duration to the terms set forth herein. Some states do not allow limitations on how long an implied warranty lasts. Accordingly, the above limitation may not apply to you.

This warranty gives you specific legal rights. You may also have other rights that vary from state to state.

ICON Health & Fitness, Inc., 1500 S. 1000 W., Logan, UT 84321-9813