

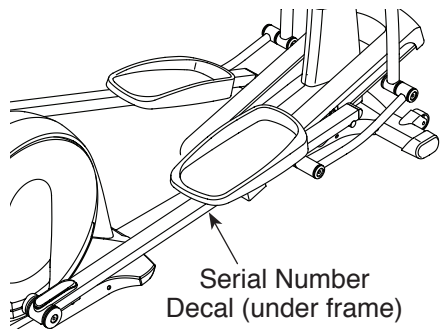
# Reebok® 710

[www.reebokfitness.com](http://www.reebokfitness.com)

Model No. RBEL07913.1

Serial No. \_\_\_\_\_

Write the serial number in the space above for reference.



## ACTIVATE YOUR WARRANTY

To register your product and activate your warranty today, go to [www.reebokservice.com/registration](http://www.reebokservice.com/registration).

## CUSTOMER CARE

For service at any time, go to [www.reebokservice.com](http://www.reebokservice.com).

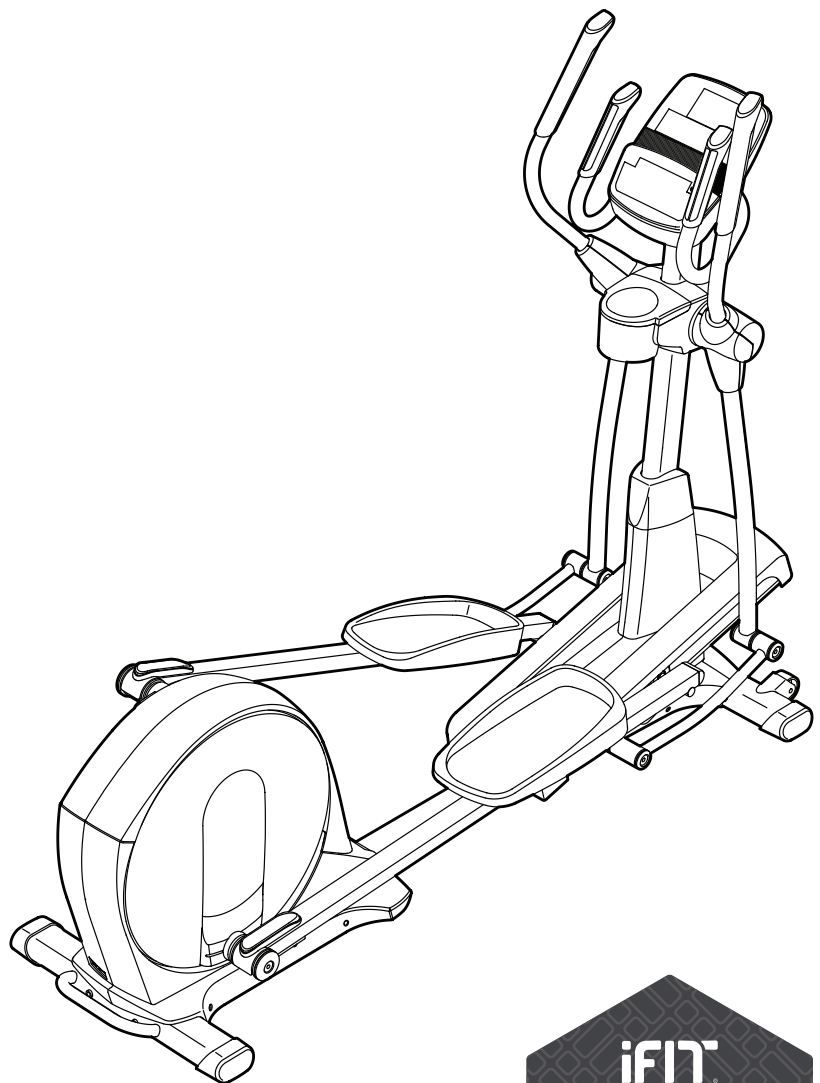
Or call 1-877-994-4999  
Mon.–Fri. 6 a.m.–6 p.m. MT  
Sat. 8 a.m.–12 p.m. MT

Please do not contact the store.

## ⚠ CAUTION

Read all precautions and instructions in this manual before using this equipment. Keep this manual for future reference.

## USER'S MANUAL



# TABLE OF CONTENTS


WARNING DECAL PLACEMENT .....	2
IMPORTANT PRECAUTIONS .....	3
BEFORE YOU BEGIN .....	6
PART IDENTIFICATION CHART .....	7
ASSEMBLY .....	8
HOW TO USE THE ELLIPTICAL .....	18
FCC INFORMATION .....	30
MAINTENANCE AND TROUBLESHOOTING .....	31
EXERCISE GUIDELINES .....	33
PART LIST .....	34
EXPLODED DRAWING .....	36
ORDERING REPLACEMENT PARTS .....	Back Cover
LIMITED WARRANTY .....	Back Cover

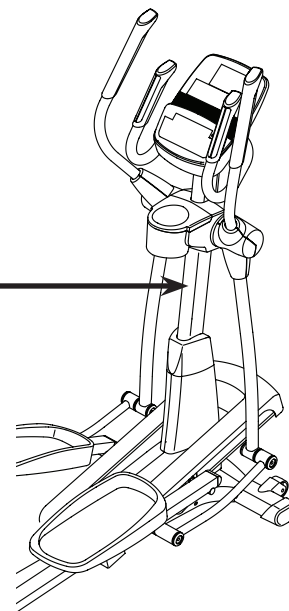
## WARNING DECAL PLACEMENT

This drawing shows the location(s) of the warning decal(s). **If a decal is missing or illegible, see the front cover of this manual and request a free replacement decal. Apply the decal in the location shown.** Note: The decal(s) may not be shown at actual size.

**⚠ WARNING**

- Misuse of this machine may result in serious injury.
- Read user's manual prior to use and follow all warnings and instructions.
- Do not allow children on or around machine.
- Pedals continue to spin when you stop pedaling.
- Spinning pedals can cause injury.
- Reduce pedal speed in a controlled manner.
- User weight must not exceed 300 lbs / 136 kgs.
- This product should always be used on a level surface.
- This product is not intended for therapeutic use.
- Replace label if damaged, illegible, or removed.





# IMPORTANT PRECAUTIONS

**⚠️ WARNING:** To reduce the risk of burns, fire, electric shock, or injury to persons, read all important precautions and instructions in this manual and all warnings on your elliptical before using your elliptical. ICON assumes no responsibility for personal injury or property damage sustained by or through the use of this product.

1. It is the responsibility of the owner to ensure that all users of the elliptical are adequately informed of all precautions.
2. Before beginning any exercise program, consult your physician. This is especially important for persons over age 35 or persons with pre-existing health problems.
3. Use the elliptical only as described in this manual.
4. The elliptical is intended for home use only. Do not use the elliptical in a commercial, rental, or institutional setting.
5. Keep the elliptical indoors, away from moisture and dust. Do not put the elliptical in a garage or covered patio, or near water.
6. Place the elliptical on a level surface, with at least 3 ft. (0.9 m) of clearance in the front and rear of the elliptical and 2 ft. (0.6 m) on each side. To protect the floor or carpet from damage, place a mat under the elliptical.
7. Inspect and properly tighten all parts regularly. Replace any worn parts immediately.
8. Keep children under age 12 and pets away from the elliptical at all times.
9. When connecting the power cord, plug the power cord into a grounded circuit. To avoid overloading the circuit, do not plug other electrical devices, except for low-power devices such as cell phone chargers, into an outlet on the same circuit.
10. Do not modify the power cord or use an adapter to connect the power cord to an improper receptacle. Keep the power cord away from heated surfaces. Do not use an extension cord.
11. Do not operate the elliptical if the power cord or plug is damaged, or if the elliptical is not working properly.
12. Always unplug the power cord and switch the power switch to the off position when the elliptical is not in use.
13. **DANGER:** Always unplug the power cord when the elliptical is not in use and before cleaning the elliptical. Servicing other than the procedures in this manual should be performed by an authorized service representative only.
14. The elliptical should not be used by persons weighing more than 300 lbs. (136 kg).
15. Wear appropriate clothes while exercising; do not wear loose clothes that could become caught on the elliptical. Always wear athletic shoes for foot protection while exercising.
16. Hold the handlebars or the upper body arms when mounting, dismounting, or using the elliptical.
17. The heart rate monitor is not a medical device. Various factors may affect the accuracy of heart rate readings. The heart rate monitor is intended only as an exercise aid in determining heart rate trends in general.
18. The elliptical does not have a freewheel; the pedals will continue to move until the flywheel stops. Reduce your pedaling speed in a controlled way.
19. Keep your back straight while using the elliptical; do not arch your back.
20. Over exercising may result in serious injury or death. If you feel faint or if you experience pain while exercising, stop immediately and cool down.

**SAVE THESE INSTRUCTIONS**

# MAKE YOUR FITNESS GOALS A **REALITY**

**iFIT**®

Congratulations on the purchase of your new iFit® compatible fitness equipment. You're just one click away from making your fitness goals a reality.

**GO TO IFIT.COM TO GET STARTED**

## **DO MORE THAN JUST WORK OUT**

iFit® is the most powerful training tool available to help you accomplish all of your fitness goals. From weight loss and performance to personalized training programs, iFit® is the key to getting more out of everything you do. Some features require paid subscription.



### **LOSE WEIGHT**

Stay on track and motivated with progressive weight loss programs with our trainers, including Jillian Michaels.



### **COMPETE WITH OTHERS**

Push yourself to new limits with real-time virtual races.



### **PERSONALIZED EVENT TRAINING**

5k, 10k, half or full marathon training will help you prepare for your event.



### **GO MOBILE**

Track your workout anywhere you go with iFit® mobile apps.



### **MAP YOUR ROUTE**

With Google Maps™, your fitness equipment will simulate the earth's terrain while displaying Street View during your workout.



### **SHARE YOUR PROGRESS**

Inspire others, motivate yourself and share routes, workouts and more.

GO TO

**IFIT.COM**

OR CALL

**877-236-1009**

# PROTECT

YOUR FITNESS EQUIPMENT  
WITH AN EXTENDED SERVICE PLAN



Your new fitness equipment is not an ordinary purchase; it is an investment in your health and well being for years to come.

As the leading provider of manufacturer's extended service plans, ICON strives to protect your equipment and your future.

Please review the following service plans and find one that best fits your needs.

## PREVENTIVE MAINTENANCE SERVICE PLANS

Equipment Price	3-Year Plan	5-Year Plan
\$0.00 to \$1000.00	\$199.99	\$289.99
\$1001.00 to \$1500.00	\$259.99	\$379.99
\$1501.00 to \$2500.00	\$339.99	\$489.99
(Bikes/Systems Only) \$0.00 to \$2500.00	\$139.99	NA

Features:

- Includes an annual preventive maintenance and performance check at your convenience
- Unlimited in-home repairs; no shipping required
- Covers parts and labor on all manufacturer's defects, as well as wear and tear on parts
- Up to 5 years of coverage available

## STANDARD SERVICE PLANS

Equipment Price	1-Year Plan	2-Year Plan	3-Year Plan
\$0.00 to \$300.00	\$29.99	\$39.99	\$59.99
\$301.00 to \$1000.00	\$89.99	\$119.99	\$149.99
\$1001.00 to \$2000.00	\$109.99	\$139.99	\$179.99
\$2001.00 to \$3000.00	\$179.99	\$209.99	\$239.99

Features:

- Unlimited in-home repairs; no shipping required
- Covers parts and labor on all manufacturer's defects, as well as wear and tear on parts
- Up to 3 years of coverage available

To protect your fitness equipment today, please  
call Customer Care at **1-800-677-3838.**  
Or, visit us online at **www.utserv.com.**



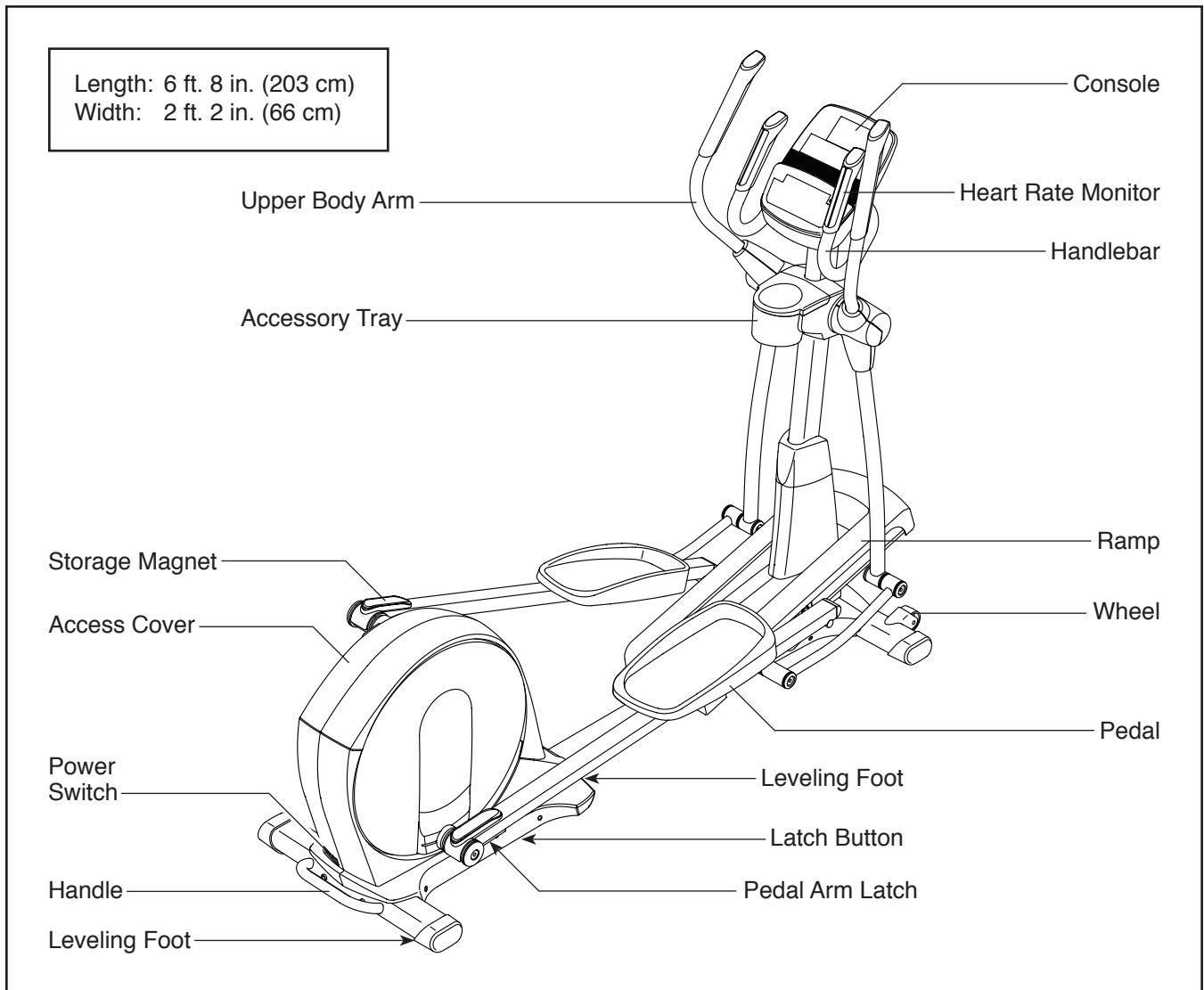
# BEFORE YOU BEGIN

Thank you for selecting the revolutionary REEBOK® 710 elliptical. The 710 elliptical provides an impressive selection of features designed to make your workouts at home more effective and enjoyable.

**For your benefit, read this manual carefully before you use the elliptical.** If you have questions after reading this manual, please see the front cover of this

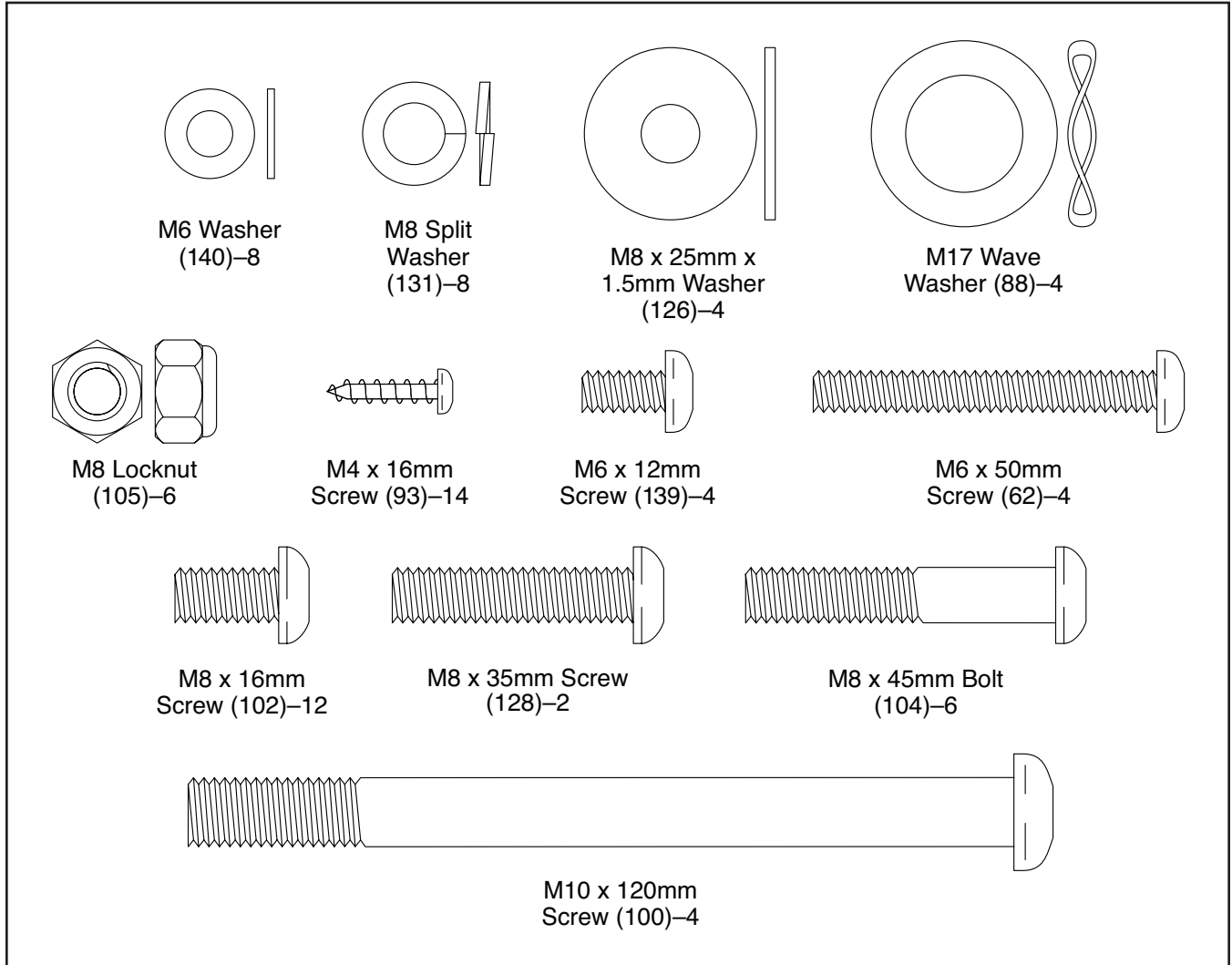
manual. To help us assist you, note the product model number and serial number before contacting us. The model number and the location of the serial number decal are shown on the front cover of this manual.

Before reading further, please familiarize yourself with the parts that are labeled in the drawing below.



# PART IDENTIFICATION CHART

Use the drawings below to identify the small parts needed for assembly. The number in parentheses below each drawing is the key number of the part, from the PART LIST near the end of this manual. The number following the key number is the quantity needed for assembly. **Note: If a part is not in the hardware kit, check to see if it has been preassembled. Extra parts may be included.**

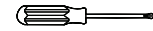


# ASSEMBLY

- To hire an authorized service technician to assemble this product, call 1-800-445-2480.
- Assembly requires two persons.
- Place all parts in a cleared area and remove the packing materials. Do not dispose of the packing materials until you finish all assembly steps.
- Left parts are marked “L” or “Left” and right parts are marked “R” or “Right.”

- To identify small parts, see page 7.
- In addition to the included tool(s), assembly requires the following tools:

one Phillips screwdriver



one rubber mallet

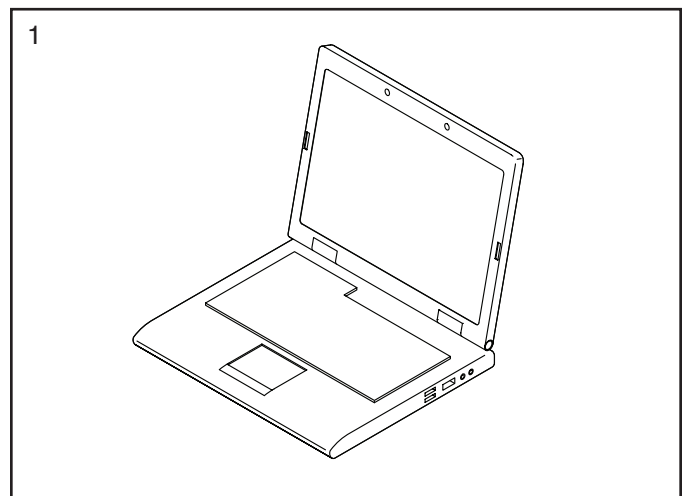


Assembly may be easier if you have your own set of wrenches. To avoid damaging parts, do not use power tools.

1. **Go to [www.reebokservice.com/registration](http://www.reebokservice.com/registration) on your computer and register your product.**

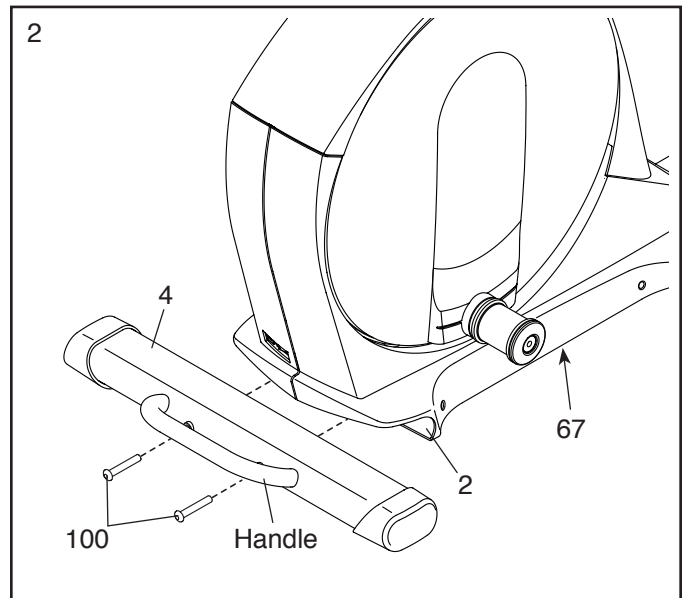
- activates your warranty
- saves you time if you ever need to contact Customer Care
- allows us to notify you of upgrades and offers

Note: If you do not have Internet access, call Customer Care (see the front cover of this manual) and register your product.



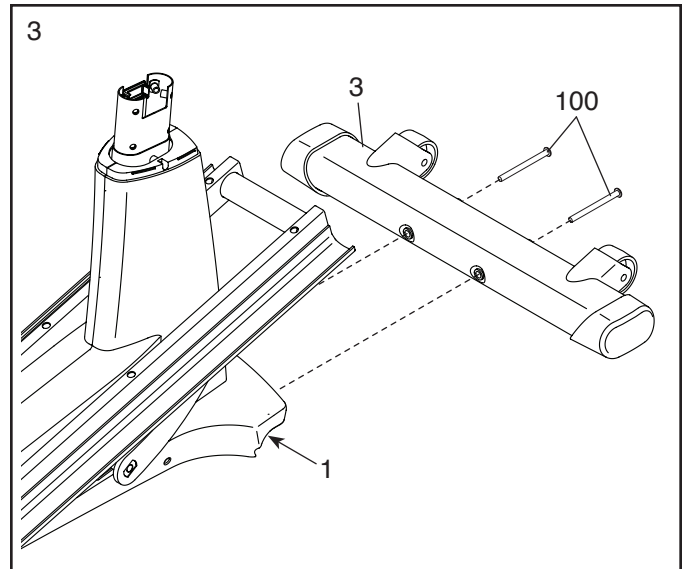
2. While a second person lifts the Folding Frame (2), attach the Rear Stabilizer (4) to the Folding Frame with two M10 x 120mm Screws (100). Note: The Folding Frame may be in the folded position.

Note: If the elliptical is in the folded position, unfold it after completing this step. To unfold the elliptical, hold the handle on the Rear Stabilizer (4), press the Latch Button (67), and lower the Rear Stabilizer and the Folding Frame (2) to the floor.



3. Orient the Front Stabilizer (3) as shown.

While a second person lifts the front of the Frame (1), attach the Front Stabilizer (3) with two M10 x 120mm Screws (100).



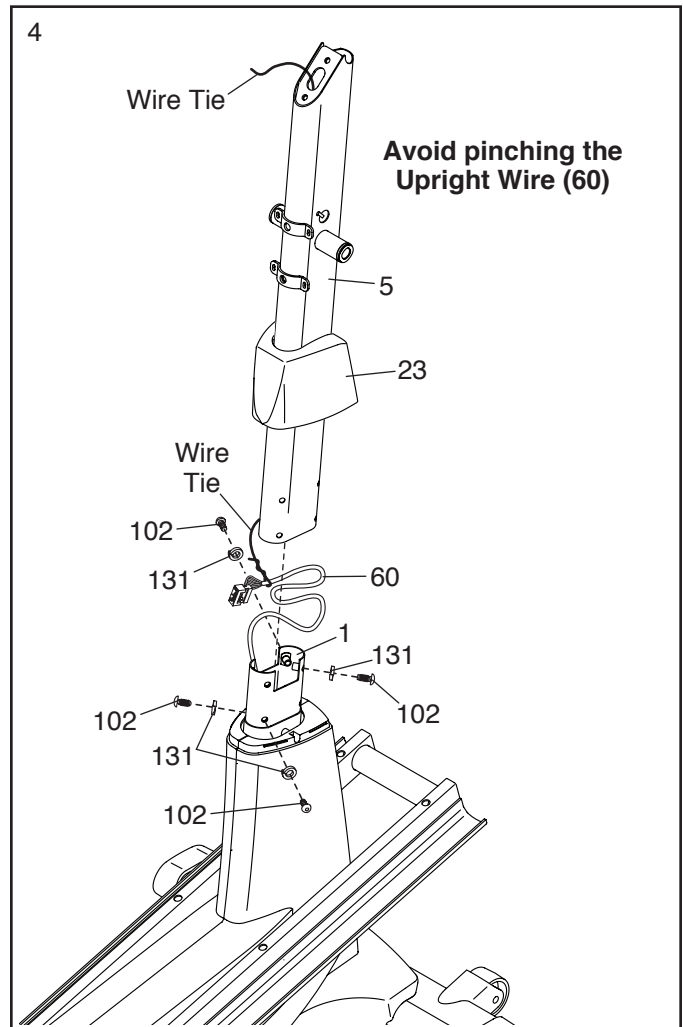
4. Orient the Upright (5) and the Top Cover (23) as shown. Slide the Top Cover upward onto the Upright.

**Tip: Avoid pinching the Upright Wire (60).**  
Slide the Upright (5) onto the Frame (1). Attach the Upright with eight M8 x 16mm Screws (102) and eight M8 Split Washers (131) (only four of each are shown); **do not tighten the Screws yet.**

Next, locate the wire tie in the Upright (5). Tie the lower end of the wire tie to the Upright Wire (60). Next, pull the upper end of the wire tie until the Upright Wire is routed through the Upright.

**Tip: To prevent the Upright Wire (60) from falling into the Upright (5), secure the Upright Wire with the wire tie.**

**Do not press the Top Cover (23) into place yet.**

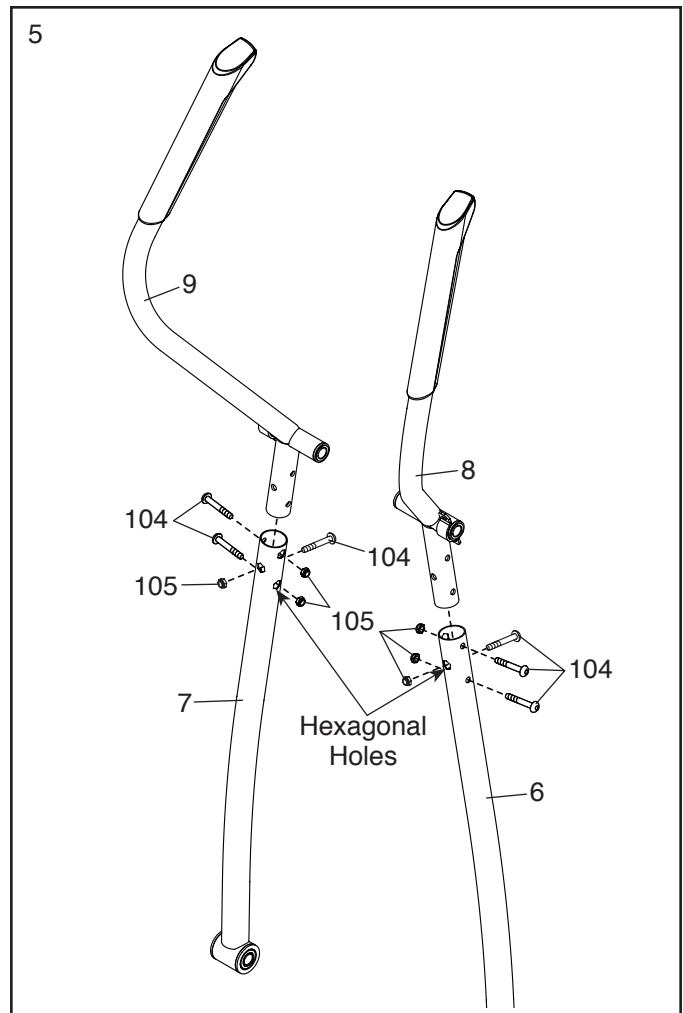


- Identify the Right Upper Body Arm (8) and the Right Upper Body Leg (6) and orient them as shown.

Insert the Right Upper Body Arm (8) into the Right Upper Body Leg (6).

Attach the Right Upper Body Arm (8) with three M8 x 45mm Bolts (104) and three M8 Locknuts (105). **Make sure that the Locknuts are inside the hexagonal holes. Do not fully tighten the Bolts yet.**

**Assemble the Left Upper Body Arm (9) and the Left Upper Body Leg (7) in the same way.**

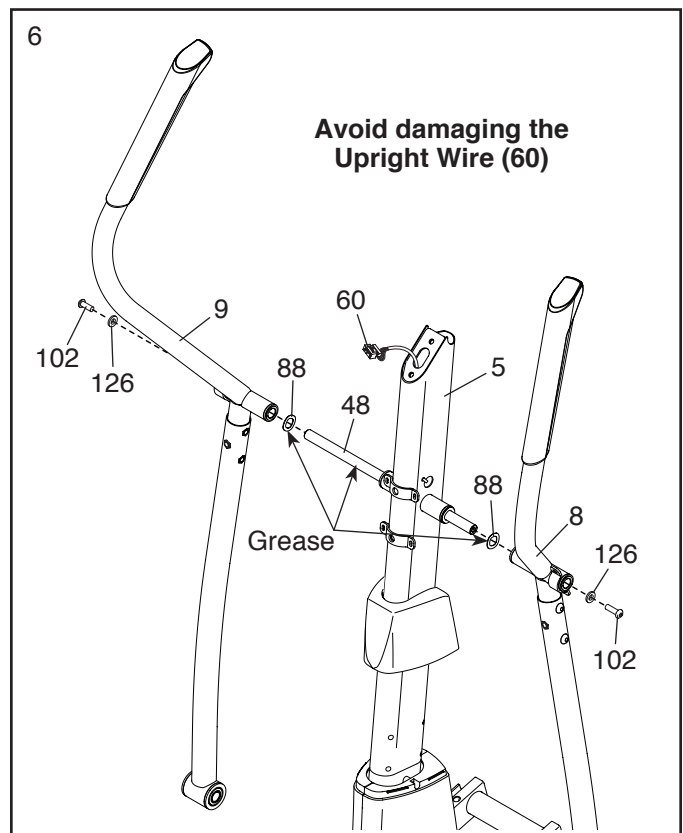


- Using a small plastic bag to keep your fingers clean, apply a generous amount of the included grease to the Upright Axle (48) and to two M17 Wave Washers (88).

**Tip: Avoid damaging the Upright Wire (60).** Insert the Upright Axle (48) through the Upright (5) and center it. Slide an M17 Wave Washer (88) onto each side of the Upright Axle.

Slide the Right and Left Upper Body Arms (8, 9) onto the right and left sides of the Upright Axle (48).

Tighten an M8 x 16mm Screw (102) and an M8 x 25mm x 1.5mm Washer (126) into each end of the Upright Axle (48) **at the same time.**

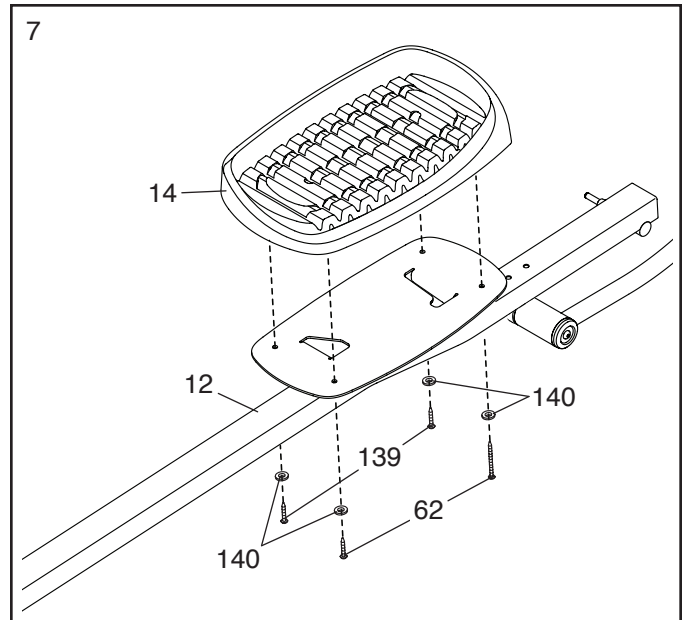


7. Identify the Right Pedal (14) and the Right Pedal Arm (12) and orient them as shown.

Attach the Right Pedal (14) to the Right Pedal Arm (12) with two M6 x 12mm Screws (139) and two M6 Washers (140); **do not tighten the Screws yet.**

Next, tighten two M6 x 50mm Screws (62) with two M6 Washers (140) into the Right Pedal Arm (12) and the Right Pedal (14). **Then, tighten the four M6 x 12mm Screws (139).**

**Attach the Left Pedal (not shown) to the Left Pedal Arm (not shown) assembly in the same way.**



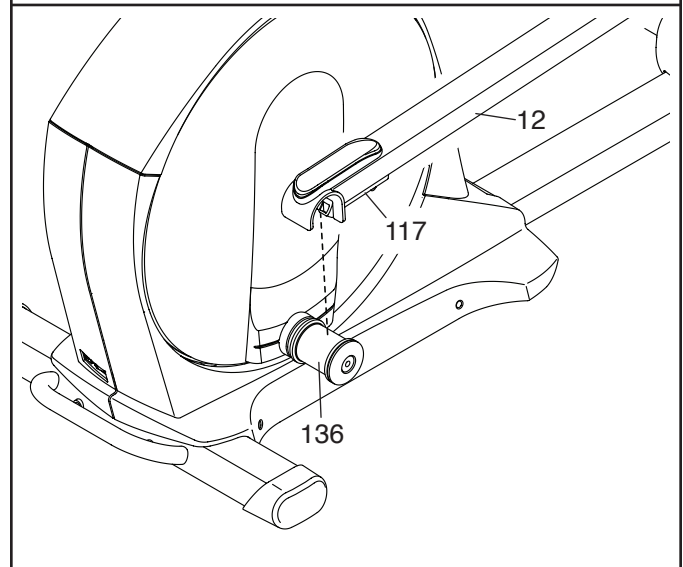
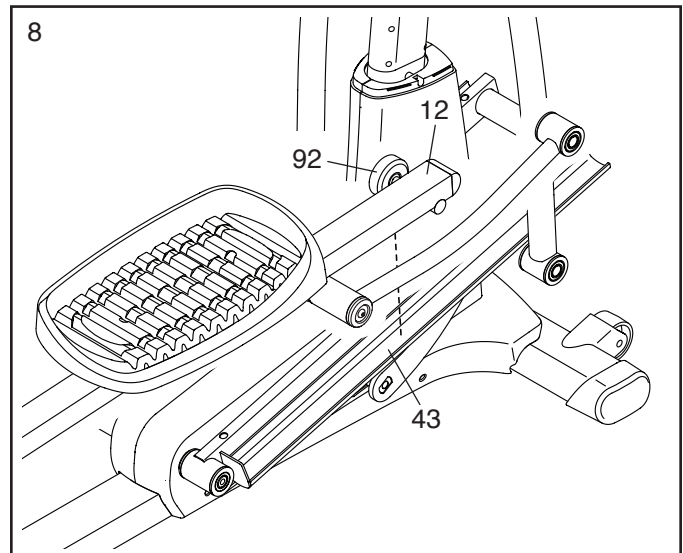
8. **See the upper drawing.** Locate the Ramp Roller (92) on the Right Pedal Arm (12).

Set the Ramp Roller (92) on the right side of the Ramp (43).

**See the lower drawing.** Pull upward on the Latch (117) on the Right Pedal Arm (12).

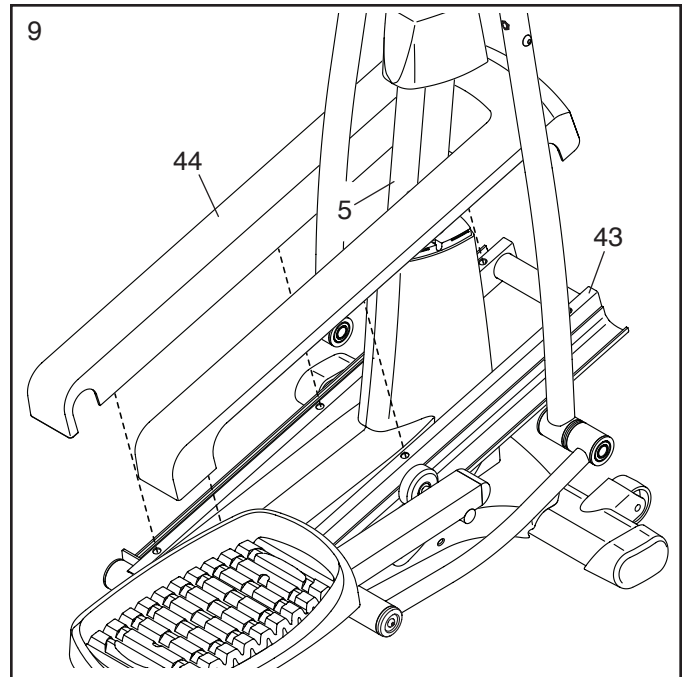
Press the Right Pedal Arm (12) onto the right Sleeve (136). **Make sure that the Right Pedal Arm latches into place.**

**Repeat this step on the other side of the elliptical.**



9. Orient the Ramp Cover (44) around the Upright (5) as shown.

Press the mounts on the underside of the Ramp Cover (44) into the Ramp (43).



10. Apply grease to a Link Arm Axle (94) and to an M17 Wave Washer (88).

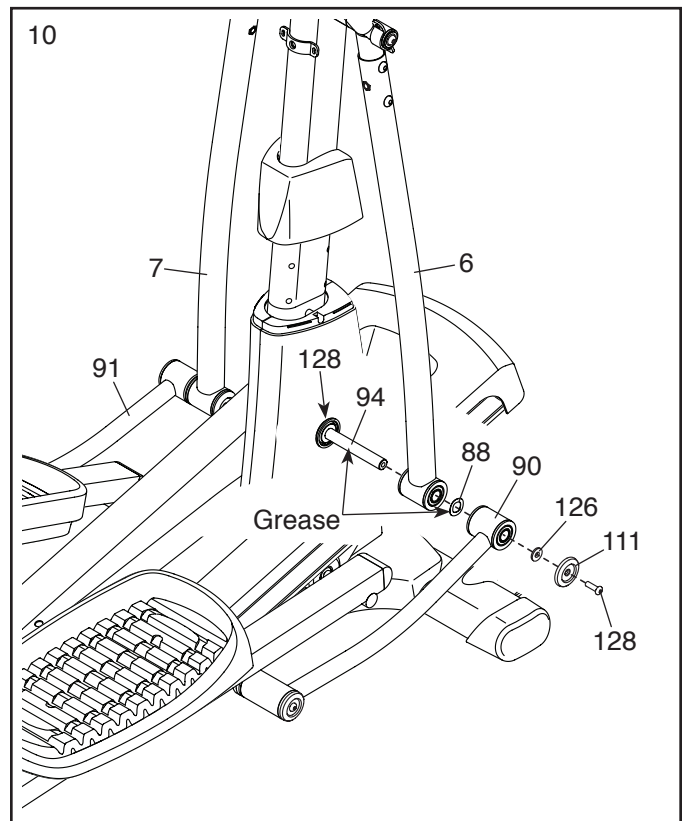
First, insert the Link Arm Axle (94) into the Right Upper Body Leg (6) from the side shown. Next, slide the M17 Wave Washer (88) onto the Link Arm Axle. Then, insert the Link Arm Axle into the Right Link Arm (90).

Insert a hex key into the M8 x 35mm Screw (128) in the Link Arm Axle (94).

Using a second hex key, tighten another M8 x 35mm Screw (128), a Pivot Axle Cover (111), and an M8 x 25mm x 1.5mm Washer (126) into the other end of the Link Arm Axle (94).

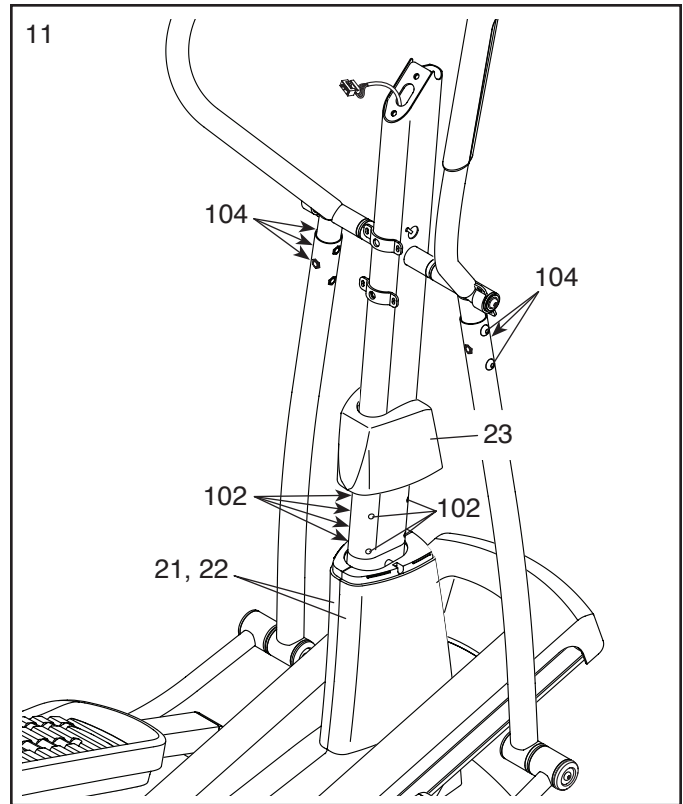
**Tip: Avoid damaging the Pivot Axle Cover when tightening the Screw.**

**Repeat this step on the other side of the elliptical.**

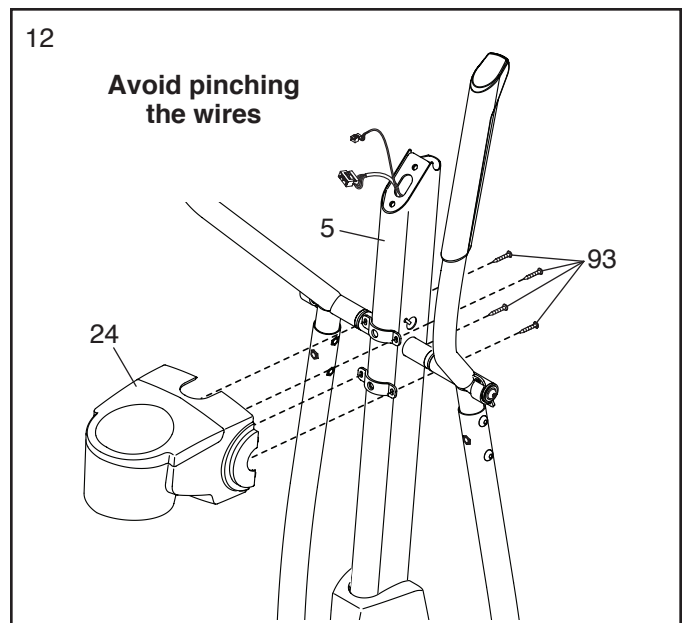


11. **Tighten the six M8 x 45mm Bolts (104) and the eight M8 x 16mm Screws (102).**

Then, press the Top Cover (23) into the Right and Left Frame Covers (21, 22).

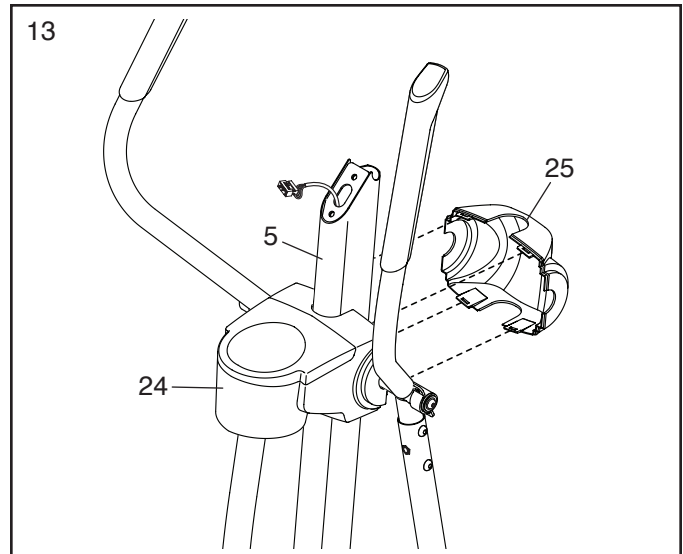


12. **Tip: Avoid pinching the wires.** Attach the Rear Upright Cover (24) to the Upright (5) with four M4 x 16mm Screws (93). **Tip: It may be necessary to bend the upper end of the Rear Upright Cover gently into place around the Upright.**



13. Orient the Front Upright Cover (25) as shown.

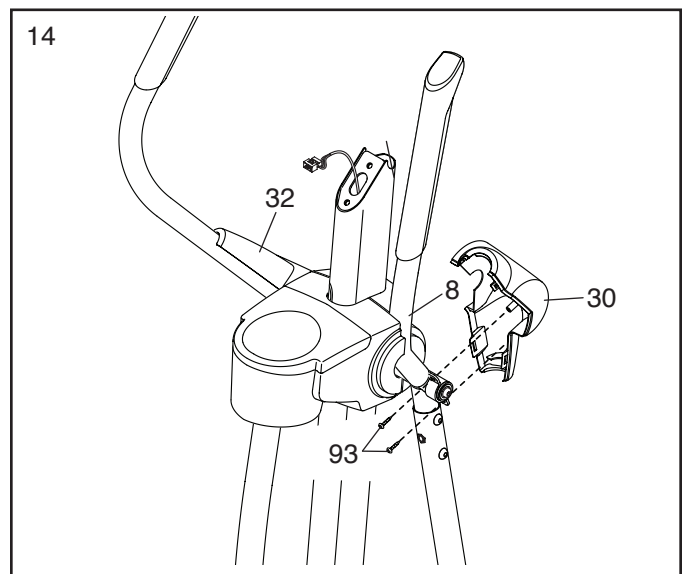
Attach the Front Upright Cover (25) around the Upright (5) by pressing it into the Rear Upright Cover (24).



14. Identify the Right Front Leg Cover (30).

Attach the Right Front Leg Cover (30) to the Right Upper Body Arm (8) with two M4 x 16mm Screws (93).

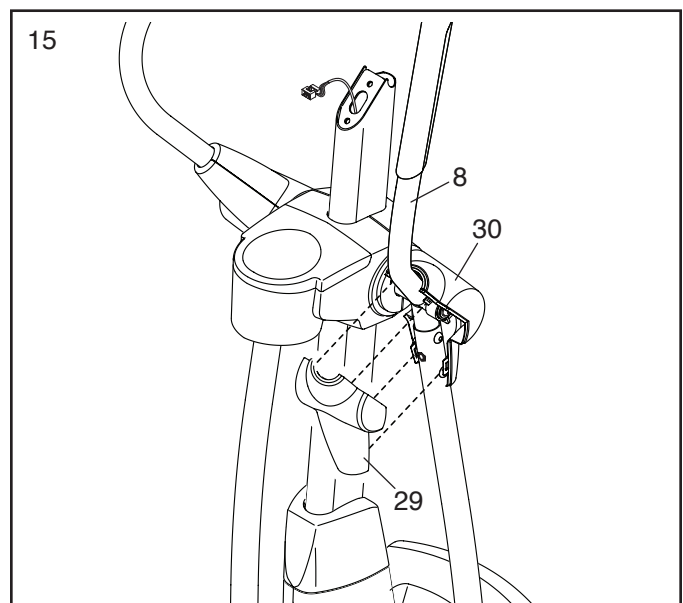
**Repeat this step on the other side of the elliptical.**



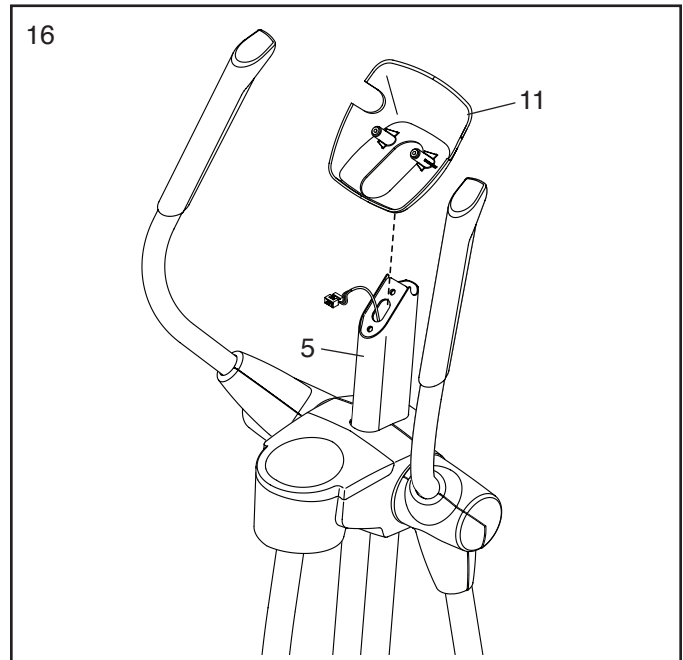
15. Identify the Right Rear Leg Cover (29).

Attach the Right Rear Leg Cover (29) around the Right Upper Body Arm (8) by pressing it into the Right Front Leg Cover (30).

**Repeat this step on the other side of the elliptical.**



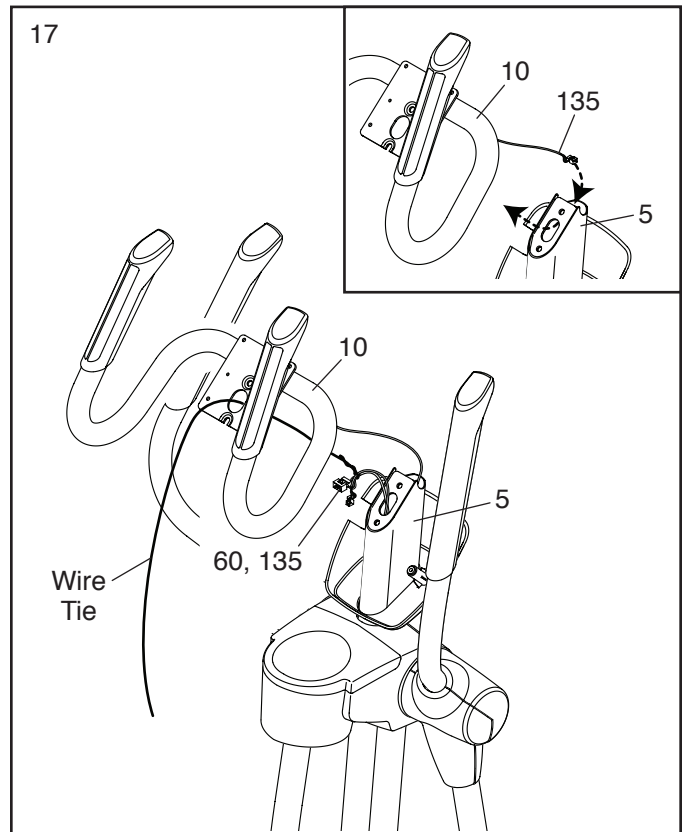
16. Orient the Console Cover (11) as shown. Slide the Console Cover onto the Upright (5).



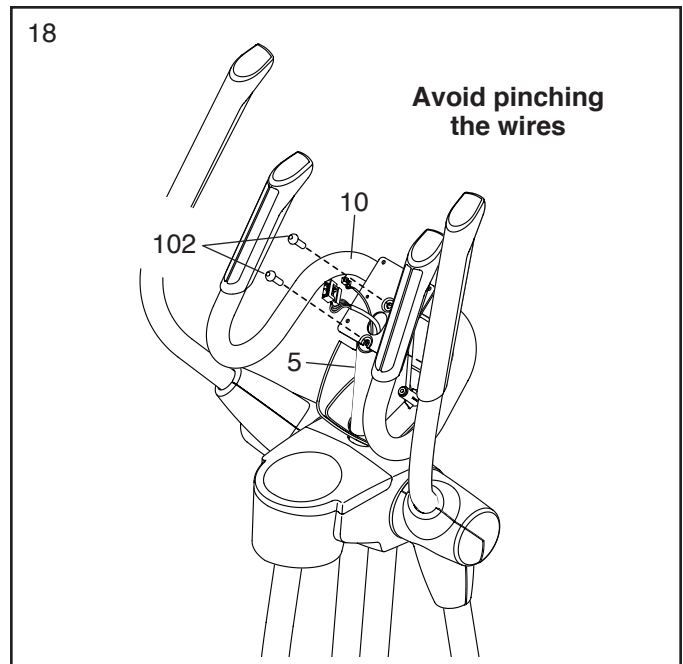
17. Have a second person hold the Handlebar (10) near the Upright (5).

**See the inset drawing.** Locate the Pulse Wire (135) in the Handlebar (10). Insert the Pulse Wire into the front of the Upright (5) and pull it out of the hole in the Upright as shown.

Tie the end of the wire tie to the Upright Wire (60) and the Pulse Wire (135). Then, insert the other end of the wire tie upward through the Handlebar (10). Next, pull the upper end of the wire tie until the Upright Wire and the Pulse Wire are routed through the Upright.



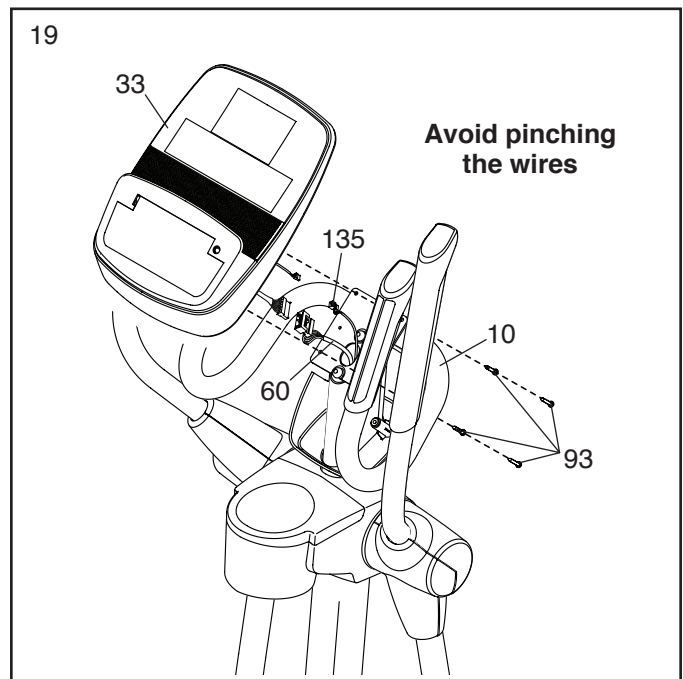
18. **Tip: Avoid pinching the wires.** Attach the Handlebar (10) to the Upright (5) with two M8 x 16mm Screws (102).



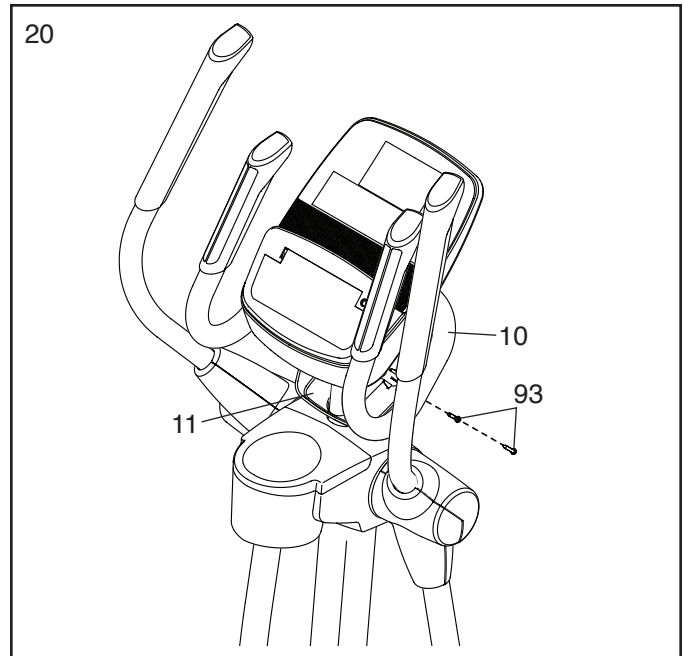
19. While a second person holds the Console (33) near the Handlebar (10), connect the wires on the Console to the Upright Wire (60) and to the Pulse Wire (135).

Insert the excess wire into the Handlebar (10).

**Tip: Avoid pinching the wires.** Attach the Console (33) to the Handlebar (10) with four M4 x 16mm Screws (93).

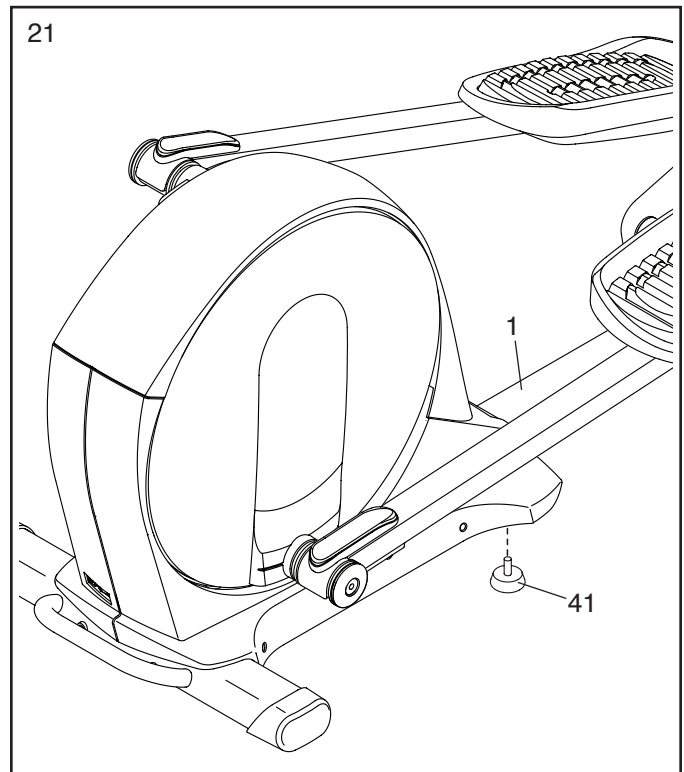


20. Attach the Console Cover (11) to the Handlebar (10) with two M4 x 16mm Screws (93).



21. With the help of a second person, place some of the packaging materials (not shown) under the rear of the Frame (1). **Have the second person hold the Frame to prevent it from tipping while you complete this step.**

Tighten the Leveling Foot (41) into the underside of the Frame (1).



22. **Make sure that all parts are properly tightened before you use the elliptical.** Note: Extra parts may be included. Place a mat under the elliptical to protect the floor or carpet.

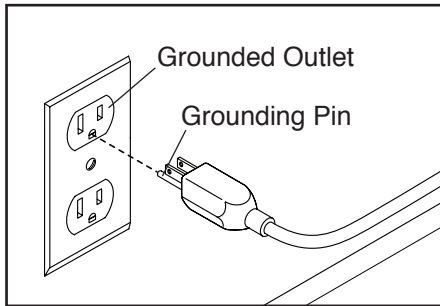
# HOW TO USE THE ELLIPTICAL

## HOW TO PLUG IN THE POWER CORD

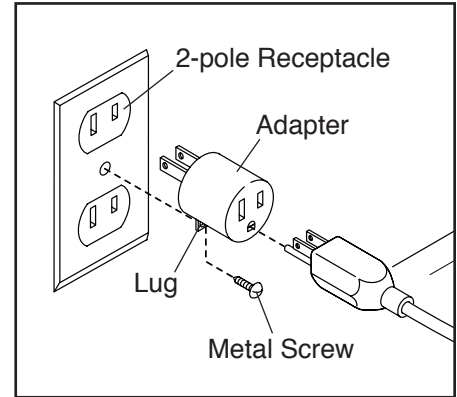
**This product must be grounded.** If it should malfunction or break down, grounding provides a path of least resistance for electric current to reduce the risk of electric shock. The power cord has a plug with a grounding pin.

**⚠ DANGER:** Improper connection of the power cord increases the risk of electric shock. Do not modify the plug; if it will not fit an outlet, have a proper outlet installed by a qualified electrician. If you are unsure whether the product is properly grounded, contact a qualified electrician.

Plug the power cord into an appropriate outlet that is properly installed and grounded in accordance with all local codes and ordinances. The outlet must be on a nominal 120-volt circuit.



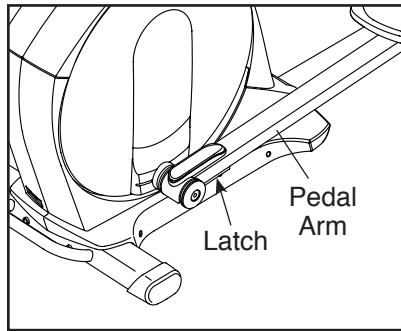
A temporary adapter may be used to connect the power cord to a 2-pole receptacle as shown at the right if a properly grounded outlet is not available.



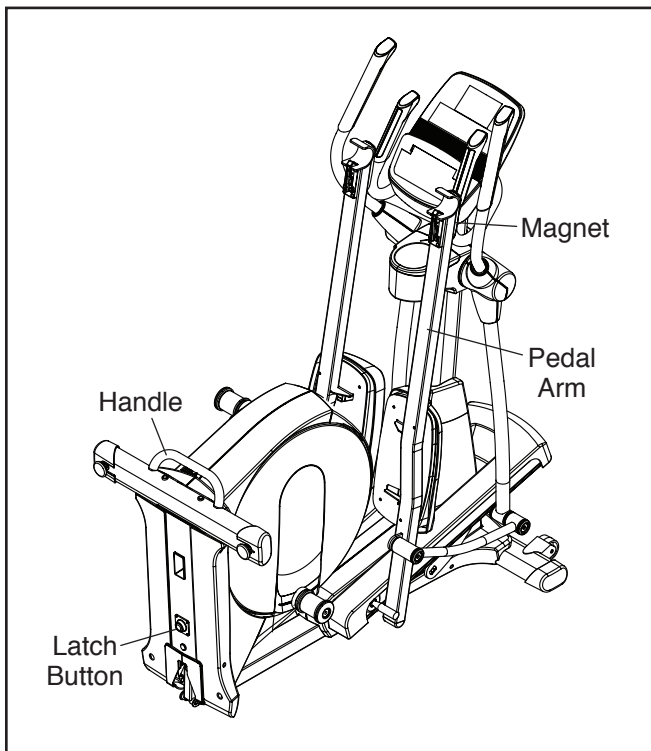
The lug or wire extending from the adapter must be connected with a metal screw to a permanent ground such as a properly grounded outlet box cover. **Some 2-pole receptacle outlet box covers are not grounded. Before using an adapter, contact a qualified electrician to determine whether the outlet box cover is grounded before using an adapter. The temporary adapter should be used only until a properly grounded outlet can be installed by a qualified electrician.**

## HOW TO FOLD AND UNFOLD THE ELLIPTICAL

When the elliptical is not in use, the frame can be folded out of the way. First, lift the latch under each pedal arm, and lift the pedal arms off the sleeves on the crank arms.



Next, raise the pedal arms until the magnets on the pedal arms touch the handlebars; the magnets will hold the pedal arms in place. Then, hold the handle and lift the frame until it locks in a vertical position.

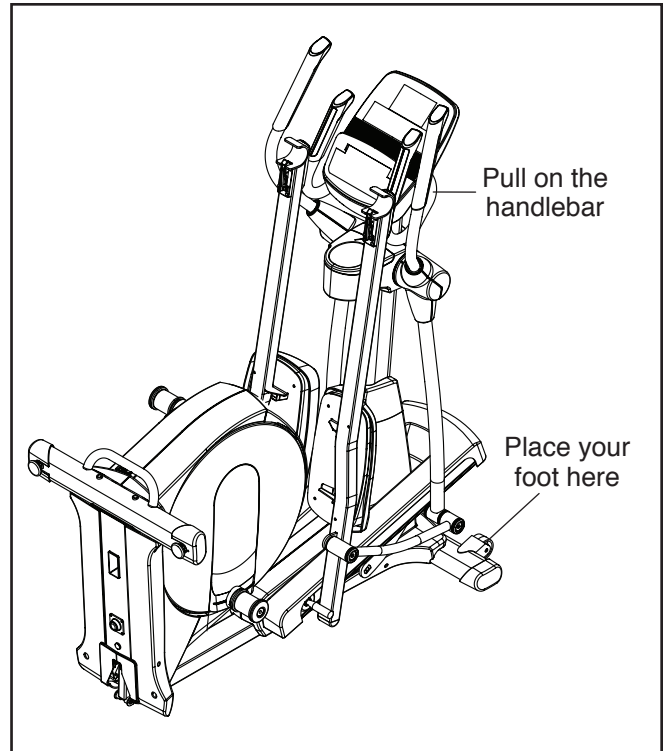


To use the elliptical, first hold the handle, press the latch button, and lower the frame.

Next, pull the magnets on the pedal arms off the handlebars. Then, **lift the latches under the pedal arms**, and set the pedal arms on the sleeves on the crank arms. Release the latches, and make sure that the pedal arms are securely connected to the crank arms.

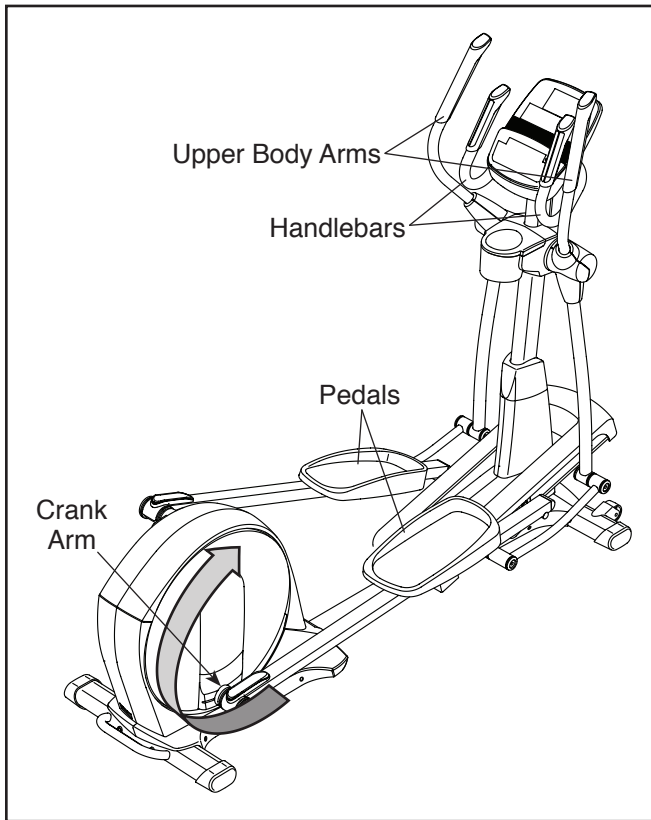
## HOW TO MOVE THE ELLIPTICAL

To move the elliptical, first fold it as described at the left. Next, stand in front of the elliptical, hold the handlebar, and place one foot against one of the wheels. Pull the handlebar until the elliptical rolls on the wheels. With the help of a second person, carefully move the elliptical to the desired location, and then lower it to the floor.



## HOW TO EXERCISE ON THE ELLIPTICAL

To mount the elliptical, hold the upper body arms and step onto the pedal that is in the lower position. Next, step onto the other pedal. Push the pedals until they begin to move with a continuous motion.

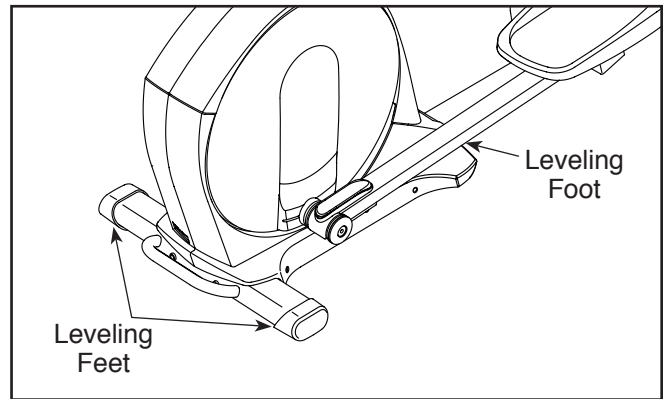


**Note:** The crank arms can turn in either direction. It is recommended that you turn the crank arms in the direction shown by the arrow; however, for variety you can turn the crank arms in the opposite direction.

To dismount the elliptical, wait until the pedals come to a complete stop. **Note: The elliptical does not have a free wheel; the pedals will continue to move until the flywheel stops.** When the pedals are stationary, step off the higher pedal first. Then, step off the lower pedal.

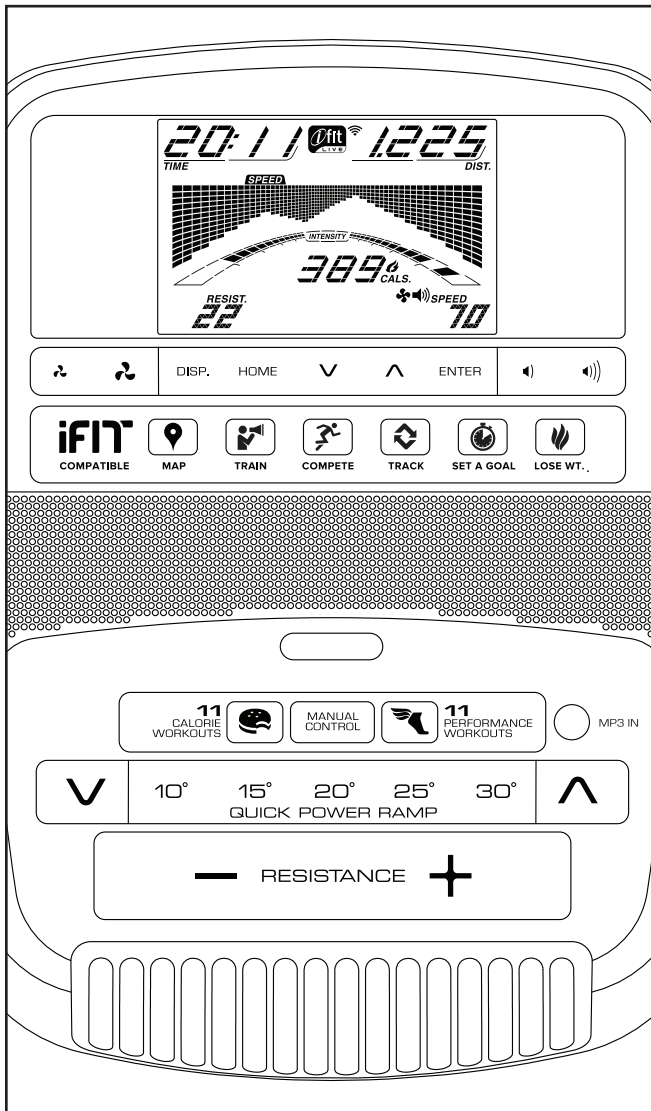
## HOW TO LEVEL THE ELLIPTICAL

If the elliptical rocks slightly on your floor during use, turn one or both of the leveling feet beneath the rear stabilizer until the rocking motion is eliminated.



If the frame of the elliptical flexes during use, turn the center leveling foot until the flexing motion is eliminated.

## CONSOLE DIAGRAM



## MAKE YOUR FITNESS GOALS A REALITY WITH IFIT.COM

With your new iFit-compatible fitness equipment, you can use an array of features on iFit.com to make your fitness goals a reality:



Exercise anywhere in the world with customizable Google Maps.



Download training workouts designed to help you reach your personal goals.



Measure your progress by competing against other users in the iFit community.



Upload your workout results to the iFit cloud and track your accomplishments.



Set calorie, time, or distance goals for your workouts.



Choose and download sets of weight-loss workouts

**Go to [iFit.com](https://www.ifit.com) to learn more.**

## FEATURES OF THE CONSOLE

The advanced console offers an array of features designed to make your workouts more effective and enjoyable.

When you use the manual mode of the console, you can change the resistance of the pedals and the incline of the ramp with the touch of a button.

While you exercise, the console will display continuous exercise feedback. You can also measure your heart rate using the handgrip heart rate monitor.

The console offers a selection of onboard workouts. Each workout automatically changes the resistance of the pedals and the incline of the ramp and prompts you to vary your pedaling pace as it guides you through an effective workout. You can also set a customized workout goal with the set-a-goal workout.

The console also features an iFit mode that enables the console to communicate with your wireless network through an optional iFit module. With the iFit mode, you can download personalized workouts, create your own workouts, track your workout results, race against other iFit users, and access many other features. **To purchase an iFit module at any time, go to [www.iFit.com](http://www.iFit.com) or call the telephone number on the front cover of this manual.**

You can even connect your MP3 player or CD player to the console sound system and listen to your favorite music or audio books while you exercise.

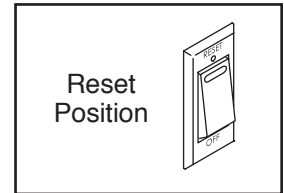
**To turn on the power**, see page 22. **To use the manual mode**, see page 23. **To use an onboard workout**, see page 25. **To use a set-a-goal workout**, see page 26. **To use an iFit workout**, see page 27. **To use the sound system**, see page 28. **To change console settings**, see page 29.

Note: If there is a sheet of plastic on the display, remove the plastic.

## HOW TO TURN ON THE POWER

**IMPORTANT: If the elliptical has been exposed to cold temperatures, allow it to warm to room temperature before you turn on the power. If you do not do this, you may damage the console displays or other electrical components.**

Plug in the power cord (see HOW TO PLUG IN THE POWER CORD on page 18). Next, locate the power switch on the frame near the power cord. Press the power switch to the reset position.



The display will then turn on and the console will be ready for use.

**Note: When you turn on the power for the first time, the incline system may calibrate automatically.** The ramp will move upward and downward as it calibrates. When the ramp stops moving, the incline system is calibrated.

**IMPORTANT: If the incline system does not calibrate automatically, see HOW TO CALIBRATE THE INCLINE SYSTEM on page 31 and manually calibrate the incline system.**

**IMPORTANT: The console features a display demo mode, designed to be used if the elliptical is displayed in a store. If the demo mode is turned on, the console will not turn off and the display will not be reset when you finish exercising. To turn off the demo mode, see HOW TO CHANGE CONSOLE SETTINGS on page 29.**

## HOW TO USE THE MANUAL MODE

1. **Begin pedaling or press any button on the console to turn on the console.**

See HOW TO TURN ON THE POWER on page 22.

2. **Select the manual mode.**

Press the Manual Control button to select the manual mode.

If a wireless iFit module is not inserted into the console and connected to iFit, the manual mode will be selected automatically.

3. **Change the resistance of the pedals and the incline of the ramp as desired.**

As you pedal, change the resistance of the pedals by pressing the Resistance increase and decrease buttons.

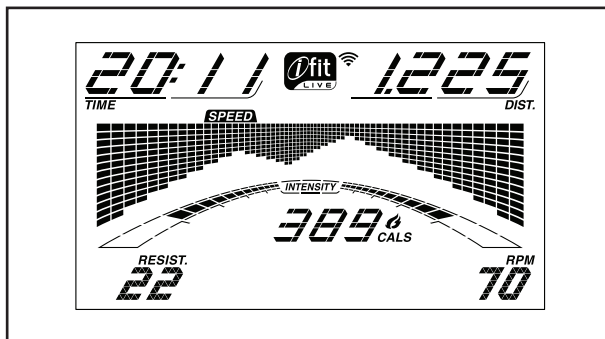
Note: After you press a button, it will take a moment for the pedals to reach the selected resistance level.

To vary the motion of the pedals, you can change the incline of the ramp. To change the incline level, press one of the numbered Quick Power Ramp buttons or press the Quick Power Ramp increase and decrease buttons.

Note: After you press a button, it will take a moment for the ramp to reach the selected incline level.

4. **Follow your progress with the display.**

The display can show the following workout information:



**Calories (Cals.)**—This display mode will show the approximate number of calories you have burned.

**Calories per Hour (Cals./Hr)**—This display mode will show the approximate number of calories you are burning per hour.

**Distance (Dist.)**—This display mode will show the distance that you have pedaled in miles or kilometers.

**Incline**—This display mode will show the incline level of the ramp for a few seconds each time the incline level changes.

**Pulse**—This display mode will show your heart rate when you use the handgrip heart rate monitor (see step 5).

**Resistance (Resist.)**—This display mode will show the resistance level of the pedals for a few seconds each time the resistance level changes.

**RPM**—This display mode will show your pedaling speed in revolutions per minute (rpm).

**Stride**—This display mode will show the total number of strides you have pedaled.

**Time**—When the manual mode is selected, this display mode will show the elapsed time. When a workout is selected, this display mode will show the time remaining in the workout.

The matrix offers several display tabs. Press the Disp. button until the desired tab is shown. You can also press the increase and decrease buttons next to the Enter button.

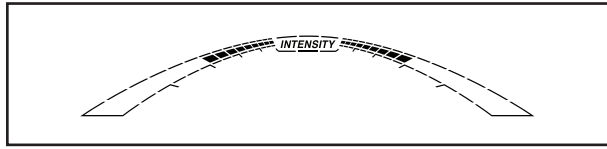
**Speed**—This tab will show a profile of the speed settings of the workout. A new segment will appear at the end of each minute.

**My Trail**—This tab will show a track that represents 1/4 mile (400 m). As you exercise, the flashing rectangle will show your progress. The My Trail tab will also show the number of laps you complete.

**Calorie**—This tab will show the approximate amount of calories you have burned. The height of each segment represents the amount of calories burned during that segment.

**Incline**—This tab will show a profile of the incline settings of the workout. A new segment will appear at the end of each minute.

As you exercise, the workout intensity level bar will indicate the approximate intensity level of your exercise.



Press the Home button to exit the workout and return to the default menu (see HOW TO CHANGE CONSOLE SETTINGS on page 29 to set the default menu). If necessary, press the Home button again.

When a wireless iFit module is connected, the wireless symbol at the top of the display will show the strength of your wireless signal. Four arcs indicate full signal strength.

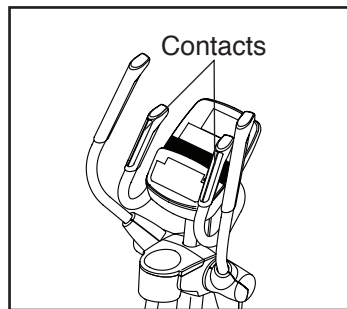


Change the volume level of the console by pressing the volume increase and decrease buttons.



#### 5. Measure your heart rate if desired.

If there are sheets of plastic on the metal contacts on the handgrip heart rate monitor, remove the plastic. To measure your heart rate, hold the handgrip heart rate monitor



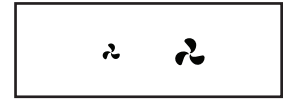
with your palms resting against the contacts. **Avoid moving your hands or gripping the contacts tightly.**

When your pulse is detected, a heart symbol will flash in the display each time your heart beats, one or two dashes will appear, and then your heart rate will be shown. **For the most accurate heart rate reading, hold the contacts for at least 15 seconds.**

If the display does not show your heart rate, make sure that your hands are positioned as described. Be careful not to move your hands excessively or to squeeze the contacts tightly. For optimal performance, clean the contacts using a soft cloth; **never use alcohol, abrasives, or chemicals to clean the contacts.**

#### 6. Turn on the fan if desired.

The fan has low and high speed settings. Press the fan increase and decrease buttons repeatedly to select a fan speed or to turn off the fan.



Note: If the pedals do not move for about thirty seconds, the fan will turn off automatically.

#### 7. When you are finished exercising, unplug the power cord.

If the pedals do not move for several seconds, a tone will sound and the console will pause.

If the pedals do not move for several minutes and the buttons are not pressed, the console will turn off and the display will be reset.

When you are finished exercising, press the power switch to the off position and unplug the power cord. **IMPORTANT: If you do not do this, the electrical components on the elliptical may wear prematurely.**

## HOW TO USE AN ONBOARD WORKOUT

### 1. Begin pedaling or press any button on the console to turn on the console.

See HOW TO TURN ON THE POWER on page 22.

### 2. Select an onboard workout.

To select an onboard workout, press the Calorie Workouts button or the Performance Workouts button repeatedly until the desired workout appears in the display.

When you select an onboard workout, the display will show the duration of the workout and the name of the workout. A profile of the speed settings of the workout will appear in the matrix.

The display will also show the maximum pedaling speed (rpm), the maximum resistance level, and the maximum incline level.

### 3. Begin pedaling to start the workout.

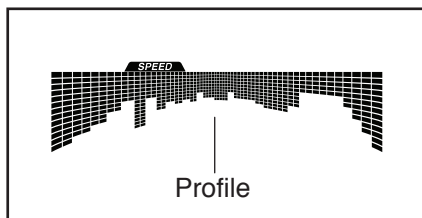
Each workout is divided into one-minute segments. One resistance level, one incline level, and one target rpm (speed) are programmed for each segment. Note: The same resistance level, incline level, and/or target rpm may be programmed for consecutive segments.

The resistance level, the incline level, and the target rpm for the first segment will appear in the matrix.

During the workout, the profiles on the speed and incline tabs will show

your progress. The flashing segment of the profile represents the current segment of the workout. The height of the flashing segment indicates the target speed or the incline level for the current segment.

At the end of each segment of the workout, a series of tones will sound and the next segment of the profile will begin to flash. If a different



resistance level, incline level, and/or target rpm is programmed for the next segment, the resistance level, incline level, and/or target rpm will appear in the display for a few seconds to alert you. The resistance of the pedals and the incline of the ramp will then change.

As you exercise, you will be prompted to keep your pedaling speed near the target rpm for the current segment. **When an upward-pointing arrow appears in the display, increase your pace. When a downward-pointing arrow appears, decrease your pace. When no arrow appears, maintain your current pace.**

**IMPORTANT: The target rpm is intended only to provide motivation. Your actual pedaling speed may be slower than the target rpm. Make sure to pedal at a speed that is comfortable for you.**

If the resistance level or incline level for the current segment is too high or too low, you can manually override the setting by pressing the Resistance buttons or the Quick Power Ramp buttons.

**IMPORTANT: When the current segment of the workout ends, the pedals will automatically adjust to the resistance level programmed for the next segment and the ramp will automatically adjust to the incline level programmed for the next segment.**

The workout will continue in this way until the last segment ends. To stop the workout at any time, stop pedaling. The time will flash in the display. To resume the workout, simply resume pedaling.

### 4. Follow your progress with the display.

See step 4 on page 23.

### 5. Measure your heart rate if desired.

See step 5 on page 24.

### 6. Turn on the fan if desired.

See step 6 on page 24.

### 7. When you are finished exercising, unplug the power cord.

See step 7 on page 24.

## HOW TO USE A SET-A-GOAL WORKOUT

- 1. Begin pedaling or press any button on the console to turn on the console.**

See HOW TO TURN ON THE POWER on page 22.

- 2. Set a calories, distance, or time goal.**

To set a calories, distance, or time goal, first press the Set A Goal button.

Next, press the increase and decrease buttons next to the Enter button until the name of the desired goal appears in the display. Then, press the Enter button.

Then, press the increase and decrease buttons next to the Enter button to set the desired goal.

- 3. Begin pedaling to start the workout.**

Each workout is divided into one-minute segments.

You can manually change the resistance of the pedals and the incline of the ramp as desired during the workout by pressing the Resistance buttons and the Quick Power Ramp buttons.

**Note:** If you manually change the resistance level or the incline level during a calorie goal workout, the length of the workout may adjust automatically to ensure that you meet your calorie goal.

**Note:** The calorie goal is an estimate of the number of calories that you will burn during the workout. The actual number of calories that you burn will depend on various factors such as your weight. In addition, if you manually change the resistance level or the incline level during the workout, the number of calories you burn will be affected.

The workout will continue in this way until the calorie, distance, or time goal is reached. To pause the workout, stop pedaling. The time will pause in the display. To resume the workout, simply resume pedaling.

- 4. Follow your progress with the display.**

As you exercise, the calories, time, or distance display will count down until the desired goal is reached.

See step 4 on page 23.

- 5. Measure your heart rate if desired.**

See step 5 on page 24.

- 6. Turn on the fan if desired.**

See step 6 on page 24.

- 7. When you are finished exercising, unplug the power cord.**

See step 7 on page 24.

## HOW TO USE AN IFIT WORKOUT

You must have an iFit module to use an iFit workout. **To purchase an iFit module at any time, go to [www.iFit.com](http://www.iFit.com) or call the telephone number on the front cover of this manual.**

Note: To use an iFit module, you must have access to a computer with an internet connection and a USB port. You will also need an iFit.com membership. To use a wireless iFit module, you must also have your own wireless network including an 802.11b/g/n router with SSID broadcast enabled (hidden networks are not supported).

### 1. Begin pedaling or press any button on the console to turn on the console.

See HOW TO TURN ON THE POWER on page 22.

### 2. Insert the iFit module into the console.

To use an iFit workout, make sure that the iFit module is inserted in the console.

**IMPORTANT: To satisfy exposure compliance requirements, the antenna and transmitter in the iFit module must be at least 8 in. (20 cm) from all persons and must not be near or connected to any other antenna or transmitter.**

### 3. Select a user.

If more than one user is registered with your iFit.com membership, you can switch users in the iFit main screen. Press the increase and decrease buttons next to the Enter button to select a user.

### 4. Select an iFit workout.

To select an iFit workout, press one of the iFit buttons. Before some workouts will download, you must add them to your schedule on [www.iFit.com](http://www.iFit.com).

Press the Map button, the Train button, or the Lose Wt. button to download the next workout of that type in your schedule.

Press the Compete button to compete in a race that you have previously scheduled.

Press the Track button to re-run a recent iFit workout from your schedule. Next, press the increase and decrease buttons to select the desired workout. Then, press the Enter button to start the workout.

**For more information about the iFit workouts, please see [www.iFit.com](http://www.iFit.com).**

When you select an iFit workout, the display will show the duration of the workout and the approximate number of calories you will burn. The display may also show the name of the workout. If you select a competition workout, the display may count down to the beginning of the race.

Note: The iFit buttons may also run demo workouts. To use the demo workouts, remove the iFit module from the console and press one of the iFit buttons.

### 5. Begin pedaling to start the workout.

See step 3 on page 25.

During some workouts, an audio coach will guide you through your workout. You can select a setting for the audio coach (see HOW TO CHANGE CONSOLE SETTINGS on page 29).

To stop the workout at any time, stop pedaling. The time will flash in the display. To resume the workout, simply resume pedaling.

**6. Follow your progress with the display.**

See step 4 on page 23.

The My Trail tab will show a map of the trail or it will show a track and the number of laps you complete.

During a competition workout, the Competition tab will show your progress in the race. As you race, the top line in the matrix will show how much of the race you have completed. The other lines will show other competitors. The end of the matrix represents the end of the race.

**7. Measure your heart rate if desired.**

See step 5 on page 24.

**8. Turn on the fan if desired.**

See step 6 on page 24.

**9. When you are finished exercising, unplug the power cord.**

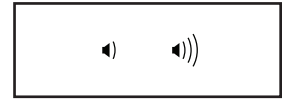
See step 7 on page 24.

**For more information about iFit, please go to [www.iFit.com](http://www.iFit.com).**

**HOW TO USE THE SOUND SYSTEM**

To play music or audio books through the console sound system while you exercise, plug a 3.5 mm male to 3.5 mm male audio cable (not included) into the jack on the console and into a jack on your MP3 player, CD player, or other personal audio player; **make sure that the audio cable is fully plugged in. Note: To purchase an audio cable, see your local electronics store.**

Next, press the play button on your personal audio player. Adjust the volume level using the volume increase and decrease buttons on the console or the volume control on your personal audio player.



## HOW TO CHANGE CONSOLE SETTINGS

### 1. Select the settings mode.

To select the settings mode, press and hold the Disp. button until the settings information appears in the display.

The display will show the total number of hours that the elliptical has been used and the total distance (in miles or kilometers) that has been pedaled on the elliptical.

If an iFit module is connected to the console, the display will show the words WIFI MODULE or USB MODULE.

If no module is connected, the display will show the words NO IFIT MODULE. If no module is connected, some of the settings options will not be available.

### 2. Navigate the settings mode.

While the settings mode is selected, the matrix of the display will display several optional screens. Press the decrease button next to the Enter button repeatedly to select the desired optional screen.

The lower section of the display will show instructions for the selected screen. **Make sure to follow the instructions shown in the lower part of the display.**

### 3. Change settings as desired.

**Units**—The currently selected unit of measurement will appear in the display. To change the unit of measurement, press the Enter button repeatedly. To view distance in miles, select ENGLISH. To view distance in kilometers, select METRIC.

**Demo**—The console features a display demo mode, designed to be used if the elliptical is displayed in a store. Press the Enter button repeatedly to turn the demo mode ON or OFF.

**Contrast Level**—The currently selected contrast level will appear in the display. Press the Incline increase and decrease buttons to adjust the contrast level.

**Trainer Voice**—The currently selected setting for the audio coach will appear in the display. Press the Enter button repeatedly to turn the audio coach ON or OFF.

**Default Menu**—The default menu will appear when you press the Home button. Press the Enter button repeatedly to select the manual mode or the iFit menu as the default menu.

**Check Status**—The words CHECK WIFI STATUS or CHECK USB STATUS will appear in the display. Press the Enter button. After a few seconds, the status of the iFit module will appear in the display. To exit this display, press the Settings button.

**Send/Receive**—The words SEND/RECEIVE DATA will appear in the display. Press the Enter button. The console will then check for iFit workouts and firmware downloads.

### 4. Exit the settings mode.

Press the Disp. button to exit the settings mode.

---

## FCC INFORMATION

This equipment has been tested and found to comply with the limits for a Class B digital device, pursuant to part 15 of the FCC Rules. These limits are designed to provide reasonable protection against harmful interference in a residential installation. This equipment generates, uses, and can radiate radio frequency energy and, if not installed and used in accordance with the instructions, may cause harmful interference to radio communications. However, there is no guarantee that interference will not occur in a particular installation. If this equipment does cause harmful interference to radio or television reception, which can be determined by turning the equipment off and on, try to correct the interference by one or more of the following measures:

- Reorient or relocate the receiving antenna.
- Increase the separation between the equipment and the receiver.
- Connect the equipment into an outlet on a circuit different from that to which the receiver is connected.
- Consult the dealer or an experienced radio/TV technician for help.

**FCC CAUTION: To assure continued compliance, use only shielded interface cables when connecting to computer or peripheral devices. Changes or modifications not expressly approved by the party responsible for compliance could void the user's authority to operate this equipment.**

# MAINTENANCE AND TROUBLESHOOTING

## MAINTENANCE

Inspect and tighten all parts of the elliptical regularly. Replace any worn parts immediately.

To clean the elliptical, use a damp cloth and a small amount of mild soap. **IMPORTANT: To avoid damage to the console, keep liquids away from the console and keep the console out of direct sunlight.**

## CONSOLE TROUBLESHOOTING

If the console does not turn on, make sure that the power cord is fully plugged in. If lines appear in the console display, see HOW TO CHANGE CONSOLE SETTINGS on page 29 and adjust the contrast level of the display.

If the console does not display your heart rate when you hold the handgrip heart rate monitor, or if the displayed heart rate appears to be too high or too low, see step 5 on page 24.

## HOW TO CALIBRATE THE INCLINE SYSTEM

If the ramp is not functioning properly, the incline system may need to be calibrated. To calibrate the incline system, press and hold the Calorie Workouts button for several seconds until the test mode appears in the display.

Press the Calorie Workouts button again. Press the Quick Power Ramp increase or decrease button to calibrate the incline system. The ramp will move upward and downward as the incline system calibrates.

When the ramp stops moving, the incline system is calibrated. Then, press the Calorie Workouts button repeatedly to exit the test mode.

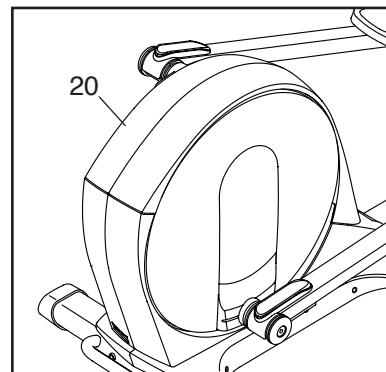
## HOW TO GREASE THE ROLLERS

See the EXPLODED DRAWING near the end of this manual. If the Ramp Rollers (92) squeak when moving on the Ramp (43), apply a small amount of the included PTFE grease to a paper towel. Spread a thin layer of grease evenly along the Ramp. Then, wipe off any excess grease.

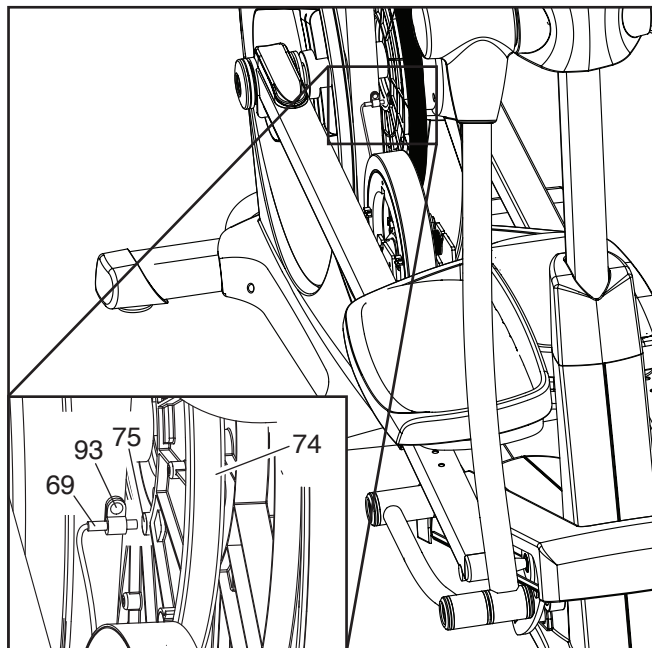
## HOW TO ADJUST THE REED SWITCH

If the console does not display correct feedback, the reed switch should be adjusted.

To adjust the reed switch, first **unplug the power cord**. Using a flat screwdriver, release the tabs on the Top Shield (20) and pry the Top Shield upward off the elliptical.



Next, look into the access opening and locate the Reed Switch (69). Rotate the Large Pulley (74) until a Magnet (75) is aligned with the Reed Switch.



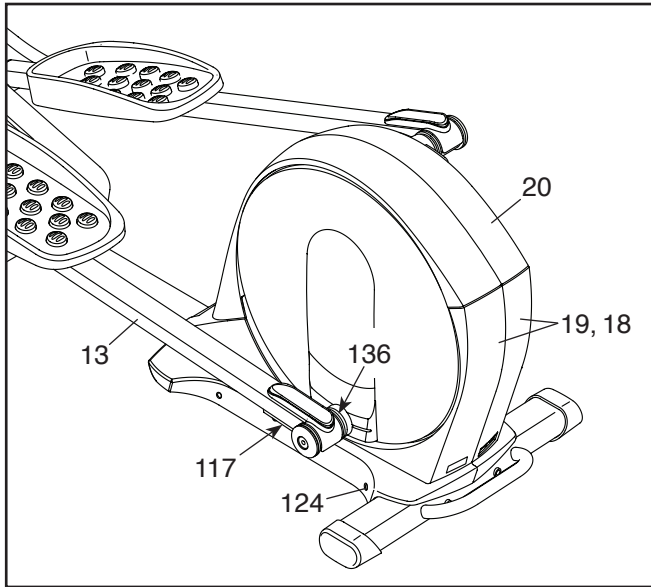
Next, loosen, but do not remove, the indicated M4 x 16mm Screw (93). Slide the Reed Switch (69) slightly toward or away from the Magnet (75). Then, retighten the M4 x 16mm Screw.

Plug in the power cord and rotate the large pulley for a moment. Repeat these actions until the console displays correct feedback. When the reed switch is correctly adjusted, reattach the top shield.

## HOW TO ADJUST THE DRIVE BELT

If you can feel the pedals slip while you are pedaling, even when the resistance of the pedals is adjusted to the highest level, the drive belt may need to be adjusted.

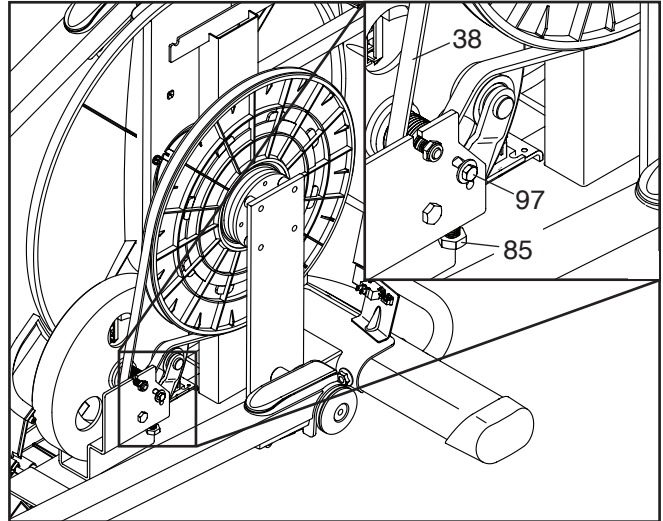
To adjust the drive belt, first **unplug the power cord**. Using a flat screwdriver, release the tabs on the Top Shield (20) and pry the Top Shield upward off the elliptical.



Next, lift the Latch (117) on the underside of the Left Pedal Arm (13), and then lift the Left Pedal Arm off the left Sleeve (136).

See EXPLODED DRAWING B on page 37. Remove the M4 x 16mm Screws (93) and the M4 x 42mm Screws (124) from the Right and Left Shields (18, 19). **Make sure to note which size Screws come from which holes.** Then, carefully remove the Left Shield.

Loosen the Pivot Screw (97). Tighten the Belt Adjustment Screw (85) until the Drive Belt (38) is tight. When the Drive Belt is tight, tighten the Pivot Screw.



When you are finished, reattach the left shield, replace the left pedal arm, and reattach the top shield. Then, plug in the power cord.

# EXERCISE GUIDELINES

**⚠️ WARNING:** Before beginning this or any exercise program, consult your physician. This is especially important for persons over age 35 or persons with pre-existing health problems.

The heart rate monitor is not a medical device. Various factors may affect the accuracy of heart rate readings. The heart rate monitor is intended only as an exercise aid in determining heart rate trends in general.

These guidelines will help you to plan your exercise program. For detailed exercise information, obtain a reputable book or consult your physician. Remember, proper nutrition and adequate rest are essential for successful results.

## EXERCISE INTENSITY

Whether your goal is to burn fat or to strengthen your cardiovascular system, exercising at the proper intensity is the key to achieving results. You can use your heart rate as a guide to find the proper intensity level. The chart below shows recommended heart rates for fat burning and aerobic exercise.

165	155	145	140	130	125	115	♥
145	138	130	125	118	110	103	♥
125	120	115	110	105	95	90	♥
<hr/>							
20	30	40	50	60	70	80	

To find the proper intensity level, find your age at the bottom of the chart (ages are rounded off to the nearest ten years). The three numbers listed above your age define your “training zone.” The lowest number is the heart rate for fat burning, the middle number is the heart rate for maximum fat burning, and the highest number is the heart rate for aerobic exercise.

**Burning Fat**—To burn fat effectively, you must exercise at a low intensity level for a sustained period of time. During the first few minutes of exercise, your body uses carbohydrate calories for energy. Only after the first few minutes of exercise does your body begin to use stored fat calories for energy. If your goal is to burn fat, adjust the intensity of your exercise until your heart rate is near the lowest number in your training zone. For maximum fat burning, exercise with your heart rate near the middle number in your training zone.

**Aerobic Exercise**—If your goal is to strengthen your cardiovascular system, you must perform aerobic exercise, which is activity that requires large amounts of oxygen for prolonged periods of time. For aerobic exercise, adjust the intensity of your exercise until your heart rate is near the highest number in your training zone.

## WORKOUT GUIDELINES

**Warming Up**—Start with 5 to 10 minutes of stretching and light exercise. A warm-up increases your body temperature, heart rate, and circulation in preparation for exercise.

**Training Zone Exercise**—Exercise for 20 to 30 minutes with your heart rate in your training zone. (During the first few weeks of your exercise program, do not keep your heart rate in your training zone for longer than 20 minutes.) Breathe regularly and deeply as you exercise; never hold your breath.

**Cooling Down**—Finish with 5 to 10 minutes of stretching. Stretching increases the flexibility of your muscles and helps to prevent post-exercise problems.

## EXERCISE FREQUENCY

To maintain or improve your condition, complete three workouts each week, with at least one day of rest between workouts. After a few months of regular exercise, you may complete up to five workouts each week, if desired. Remember, the key to success is to make exercise a regular and enjoyable part of your everyday life.

# PART LIST

Model No. RBEL07913.1 R0214A

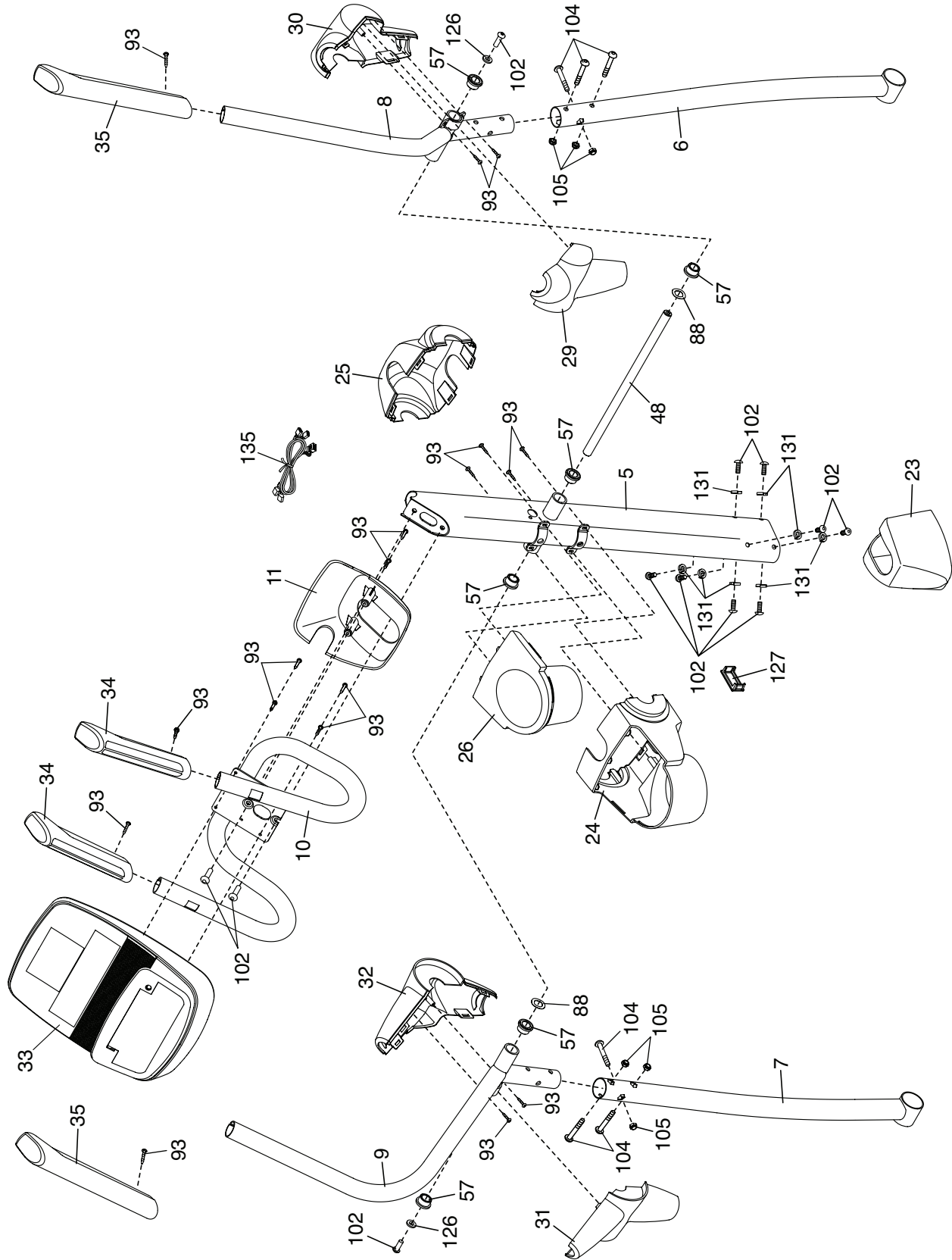
Key No.	Qty.	Description	Key No.	Qty.	Description
1	1	Frame	51	1	Left Lift Arm
2	1	Folding Frame	52	2	Lift Axle Bushing
3	1	Front Stabilizer	53	1	Long Motor Axle
4	1	Rear Stabilizer	54	1	Short Motor Axle
5	1	Upright	55	2	Bumper
6	1	Right Upper Body Leg	56	2	Flange Screw
7	1	Left Upper Body Leg	57	6	Upright Bushing
8	1	Right Upper Body Arm	58	2	M10 x 60mm Bolt
9	1	Left Upper Body Arm	59	1	Power Cord
10	1	Handlebar	60	1	Upright Wire
11	1	Console Cover	61	1	Eddy Mechanism
12	1	Right Pedal Arm	62	4	M6 x 50mm Screw
13	1	Left Pedal Arm	63	1	Frame Axle
14	1	Right Pedal	64	4	Frame Bushing
15	1	Left Pedal	65	1	Latch Bracket Axle
16	2	Disc	66	1	Latch Bracket Spring
17	2	Disc Cover	67	1	Latch Button
18	1	Right Shield	68	1	Button Housing
19	1	Left Shield	69	1	Reed Switch/Wire
20	1	Top Shield	70	1	Clamp
21	1	Right Frame Cover	71	1	Crank Hub
22	1	Left Frame Cover	72	1	Crank
23	1	Top Cover	73	1	Crank Spacer
24	1	Rear Upright Cover	74	1	Large Pulley
25	1	Front Upright Cover	75	2	Magnet
26	1	Accessory Tray	76	2	Folding Frame Bearing
27	1	Control Board	77	1	Idler
28	1	Board Bracket	78	1	Resistance Motor
29	1	Right Rear Leg Cover	79	2	Lift Roller
30	1	Right Front Leg Cover	80	2	Lift Axle Washer
31	1	Left Rear Leg Cover	81	2	Hairpin Cotter Pin
32	1	Left Front Leg Cover	82	2	Lift Axle Screw
33	1	Console	83	2	Lift Axle Bracket
34	2	Pulse Sensor	84	2	Motor Spacer
35	2	Handgrip	85	1	Belt Adjustment Screw
36	2	Wheel	86	4	M8 x 28mm Screw
37	4	Stabilizer Cap	87	2	Large Snap Ring
38	1	Drive Belt	88	4	M17 Wave Washer
39	2	Crank Arm	89	4	M4 x 8mm Screw
40	8	M8 Shoulder Screw	90	1	Right Link Arm
41	3	Leveling Foot	91	1	Left Link Arm
42	1	Latch Bracket	92	2	Ramp Roller
43	1	Ramp	93	48	M4 x 16mm Screw
44	1	Ramp Cover	94	2	Link Arm Axle
45	1	Ramp Axle	95	1	Ground Screw
46	4	Ramp Axle Bushing	96	1	M6 Washer
47	1	Lift Motor	97	1	Pivot Screw
48	1	Upright Axle	98	2	Pedal Arm Cap
49	1	Lift Axle	99	1	Idler Bolt
50	1	Right Lift Arm	100	4	M10 x 120mm Screw

Key No.	Qty.	Description	Key No.	Qty.	Description
101	1	Anchored Zip Tie	127	1	Grommet
102	20	M8 x 16mm Screw	128	6	M8 x 35mm Screw
103	2	M10 Locknut	129	2	Outer Sleeve Bushing
104	6	M8 x 45mm Bolt	130	2	Small Snap Ring
105	6	M8 Locknut	131	8	M8 Split Washer
106	12	Link Arm Bushing	132	2	Short Spring Pin
107	4	M10 x 20mm Screw	133	1	Frame Cap
108	4	M10 Washer	134	2	Inner Sleeve Bushing
109	1	Frame Wire	135	1	Pulse Wire
110	2	M8 x 23.5mm x 1mm Washer	136	2	Sleeve
111	6	Pivot Axle Cover	137	2	Long Spring Pin
112	2	M8 Washer	138	4	M4 x 12mm Screw
113	2	Crank Axle Cover	139	4	M6 x 12mm Screw
114	2	Magnet Assembly	140	8	M6 Washer
115	2	Pedal Arm Snap Ring	141	4	M4 x 25mm Screw
116	4	Long Latch Spring	142	2	M19 Wave Washer
117	2	Latch	*	–	User's Manual
118	2	Latch Spring	*	–	Assembly Tool
119	2	Medium Snap Ring	*	–	General Grease Packet
120	14	Mushroom Fastener/Screw	*	–	PTFE Grease Packet
121	2	Latch Insert	*	–	Resistance Motor Wire
122	1	3/8" x 1/2" Flange Screw	*	–	Lift Motor Wire A
123	2	Latch Housing	*	–	Lift Motor Wire B
124	4	M4 x 42mm Screw	*	–	Blue Wire
125	1	Power Switch	*	–	Green Wire
126	8	M8 x 25mm x 1.5mm Washer	*	–	White Wire

Note: Specifications are subject to change without notice. For information about ordering replacement parts, see the back cover of this manual. \*These parts are not illustrated.

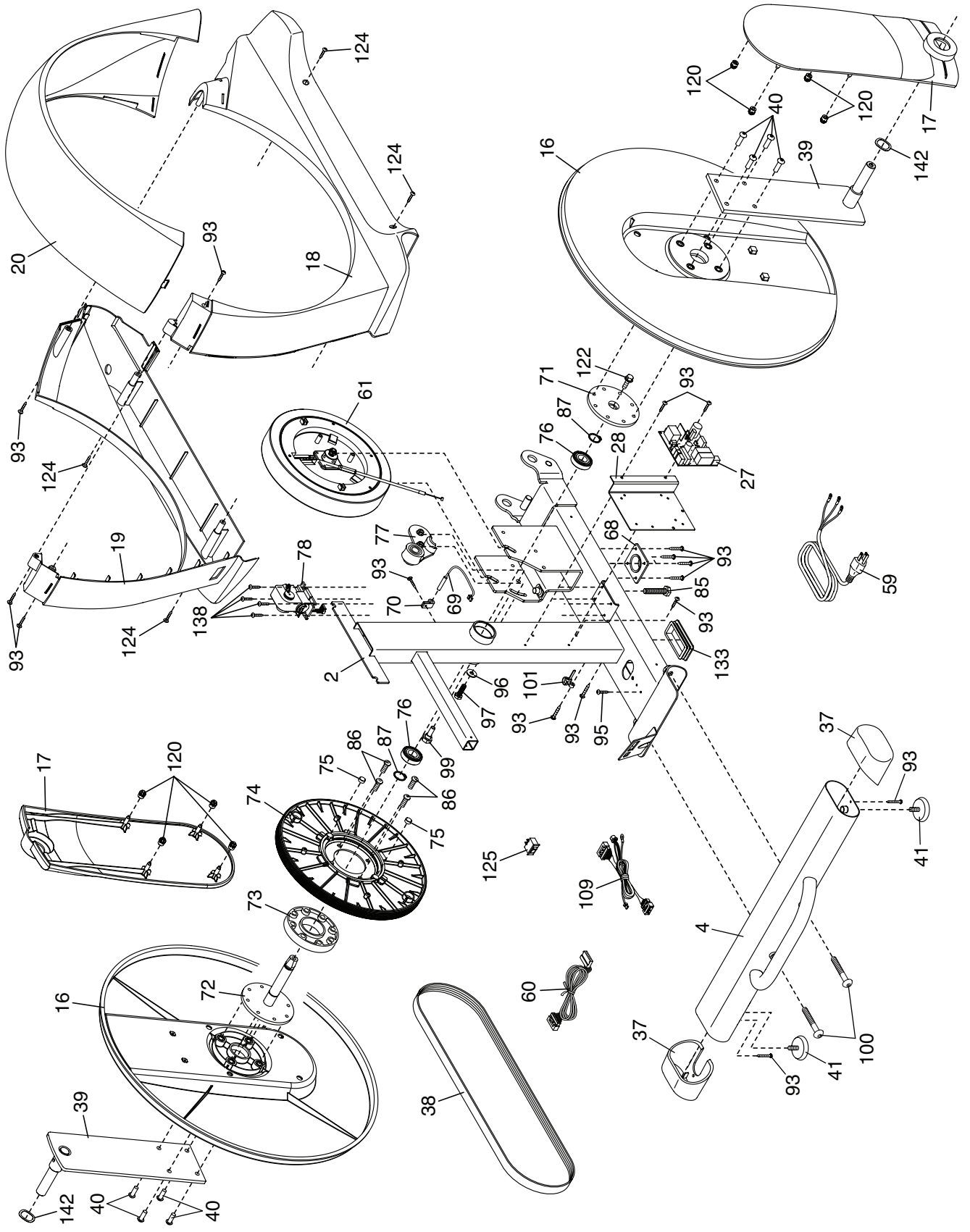
# EXPLODED DRAWING A

Model No. RBEL07913.1 R0214A



# EXPLODED DRAWING B

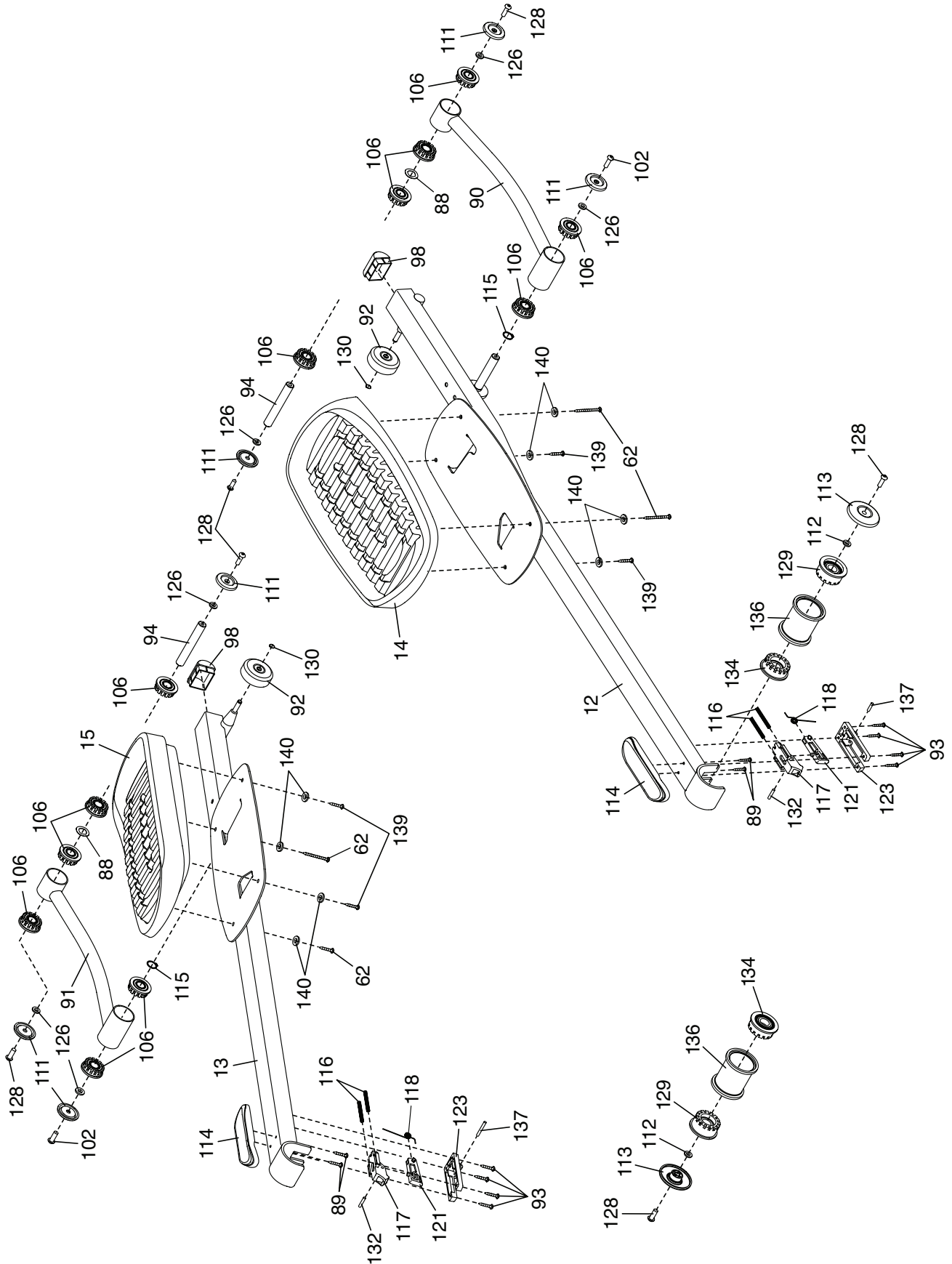
Model No. RBEL07913.1 R0214A





# EXPLODED DRAWING D

Model No. RBEL07913.1 R0214A



---

# ORDERING REPLACEMENT PARTS

To order replacement parts, please see the front cover of this manual. To help us assist you, be prepared to provide the following information when contacting us:

- the model number and serial number of the product (see the front cover of this manual)
- the name of the product (see the front cover of this manual)
- the key number and description of the replacement part(s) (see the PART LIST and the EXPLODED DRAWING near the end of this manual)

## LIMITED WARRANTY

**IMPORTANT: To protect your fitness equipment with an extended service plan, see page 5.**

ICON Health & Fitness, Inc. (ICON) warrants this product to be free from defects in workmanship and material, under normal use and service conditions. The frame is warranted for a lifetime. Parts are warranted for two (2) years from the date of purchase. Labor is warranted for one (1) year from the date of purchase.

This warranty extends only to the original purchaser (customer). ICON's obligation under this warranty is limited to repairing or replacing, at ICON's option, the product through one of its authorized service centers. All repairs for which warranty claims are made must be preauthorized by ICON. If the product is shipped to a service center, freight charges to and from the service center will be the customer's responsibility. If replacement parts are shipped while the product is under warranty, the customer will be responsible for a minimal handling charge. For in-home service, the customer will be responsible for a minimal trip charge. This warranty does not extend to freight damage to the product. This warranty will automatically be voided if the product is used as a store display model, if the product is purchased or transported outside the USA, if all instructions in this manual are not followed, if the product is abused or improperly or abnormally used, or if the product is used for commercial or rental purposes. No other warranty beyond that specifically set forth above is authorized by ICON.

ICON is not responsible or liable for indirect, special, or consequential damages arising out of or in connection with the use or performance of the product; damages with respect to any economic loss, loss of property, loss of revenues or profits, loss of enjoyment or use, or costs of removal or installation; or other consequential damages of any kind. Some states do not allow the exclusion or limitation of incidental or consequential damages. Accordingly, the above limitation may not apply to the customer.

The warranty extended hereunder is in lieu of any and all other warranties, and any implied warranties of merchantability or fitness for a particular purpose are limited in their scope and duration to the terms set forth herein. Some states do not allow limitations on how long an implied warranty lasts. Accordingly, the above limitation may not apply to the customer.

This warranty provides specific legal rights; the customer may have other rights that vary from state to state.

**ICON Health & Fitness, Inc., 1500 S. 1000 W., Logan, UT 84321-9813**