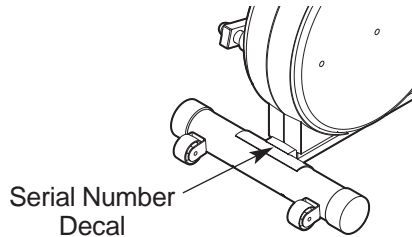


reebok **REL8**

Model No. RBEL12900

Serial No. _____



QUESTIONS?

As a manufacturer, we are committed to providing complete customer satisfaction. If you have questions, or if there are missing parts, we will guarantee complete satisfaction through direct assistance from our factory.

TO AVOID UNNECESSARY DELAYS, PLEASE CALL DIRECT TO OUR TOLL-FREE CUSTOMER HOT LINE. The trained technicians on our customer hot line will provide immediate assistance, free of charge to you.

CUSTOMER HOT LINE:

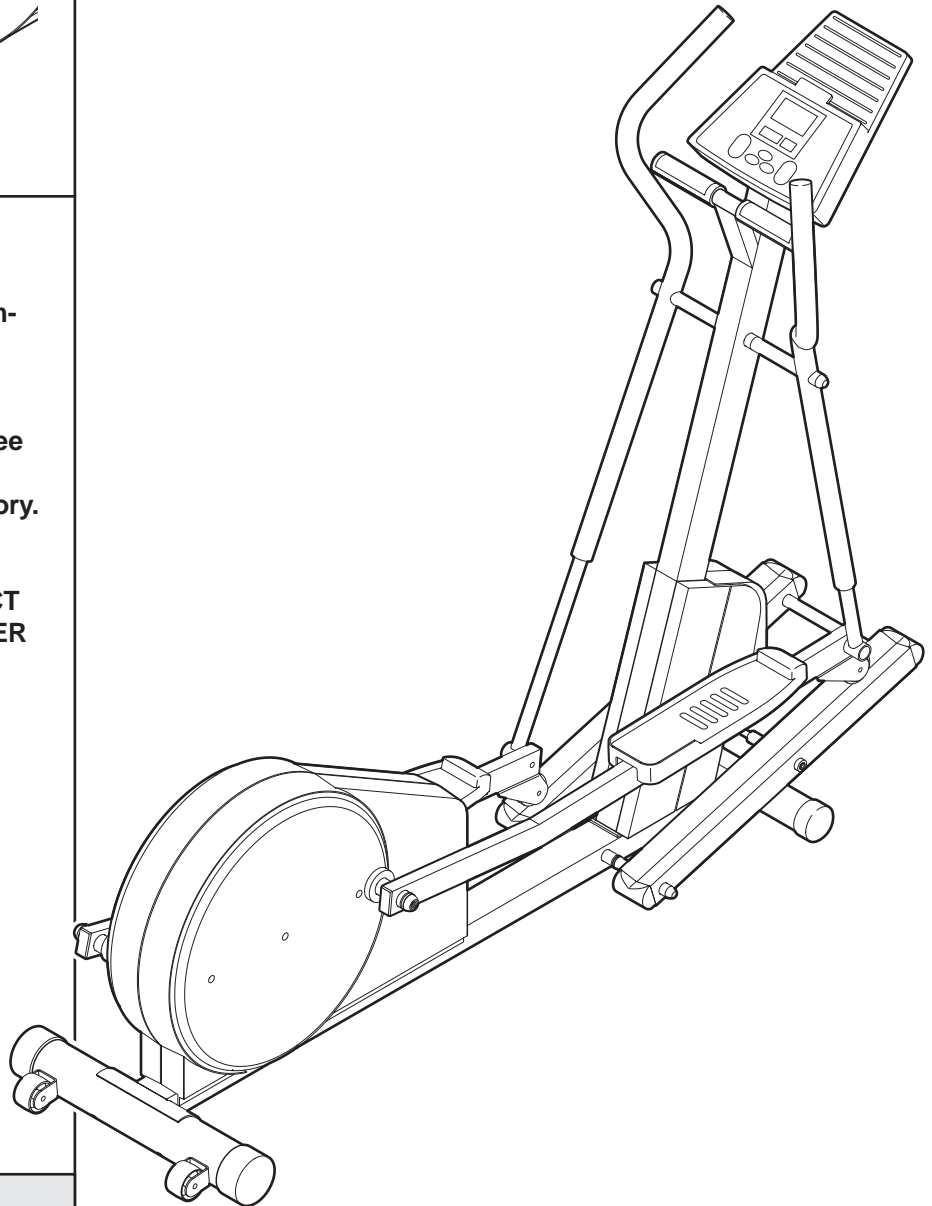
1-800-999-3756

Mon.–Fri., 6 a.m.–6 p.m. MST

CAUTION

Read all precautions and instructions in this manual before using this equipment. Keep this manual for future reference.

USER'S MANUAL



Visit our website at

www.workoutwarehouse.com

*new products, prizes,
fitness tips, and much more!*



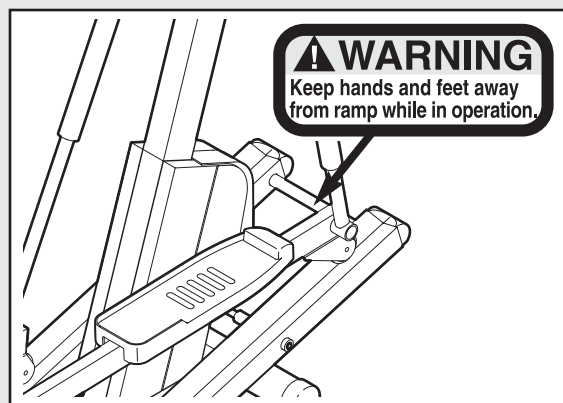
TABLE OF CONTENTS

IMPORTANT PRECAUTIONS	3
BEFORE YOU BEGIN	4
ASSEMBLY	5
HOW TO USE THE ELLIPTICAL CROSSTRAINER	9
MAINTENANCE AND TROUBLESHOOTING	19
CONDITIONING GUIDELINES	20
PART LIST	22
EXPLODED DRAWING	23
HOW TO ORDER REPLACEMENT PARTSBack Cover
LIMITED WARRANTYBack Cover

IMPORTANT PRECAUTIONS

⚠ WARNING: To reduce the risk of serious injury, read the following important precautions before using the elliptical crosstrainer.

1. Read all instructions in this manual before using the elliptical crosstrainer.
2. It is the responsibility of the owner to ensure that all users of the elliptical crosstrainer are adequately informed of all precautions.
3. Place the elliptical crosstrainer on a level surface, with a mat beneath it to protect the floor or carpet. Keep the elliptical crosstrainer indoors, away from moisture and dust.
4. Inspect and tighten all parts regularly. Replace any worn parts immediately.
5. Keep children under the age of 12 and pets away from the elliptical crosstrainer at all times.
6. The elliptical crosstrainer should not be used by persons weighing more than 250 pounds.
7. Always hold the pulse handlebar or the upper body arms when mounting, dismounting, or using the elliptical crosstrainer.
8. Wear appropriate exercise clothing when using the elliptical crosstrainer. Always wear athletic shoes for foot protection.
9. The pulse sensor is not a medical device. Various factors may affect the accuracy of heart rate readings. The pulse sensor is intended only as an exercise aid in determining heart rate trends in general.
10. When you stop exercising, allow the pedals to slowly come to a stop.
11. Keep your back straight when using the elliptical crosstrainer; do not arch your back.
12. If you feel pain or dizziness at any time while exercising, stop immediately and begin cooling down.
13. The elliptical crosstrainer is intended for in-home use only. Do not use the elliptical crosstrainer in a commercial, rental, or institutional setting.
14. The decal shown below has been placed on the elliptical crosstrainer. If the decal is missing or illegible, please call our Customer Service Department toll-free at 1-800-999-3756 to order a free replacement decal. Apply the decal in the location shown.



⚠ WARNING: Before beginning this or any exercise program, consult your physician. This is especially important for persons over the age of 35 or persons with pre-existing health problems. Read all instructions before using. ICON assumes no responsibility for personal injury or property damage sustained by or through the use of this product.

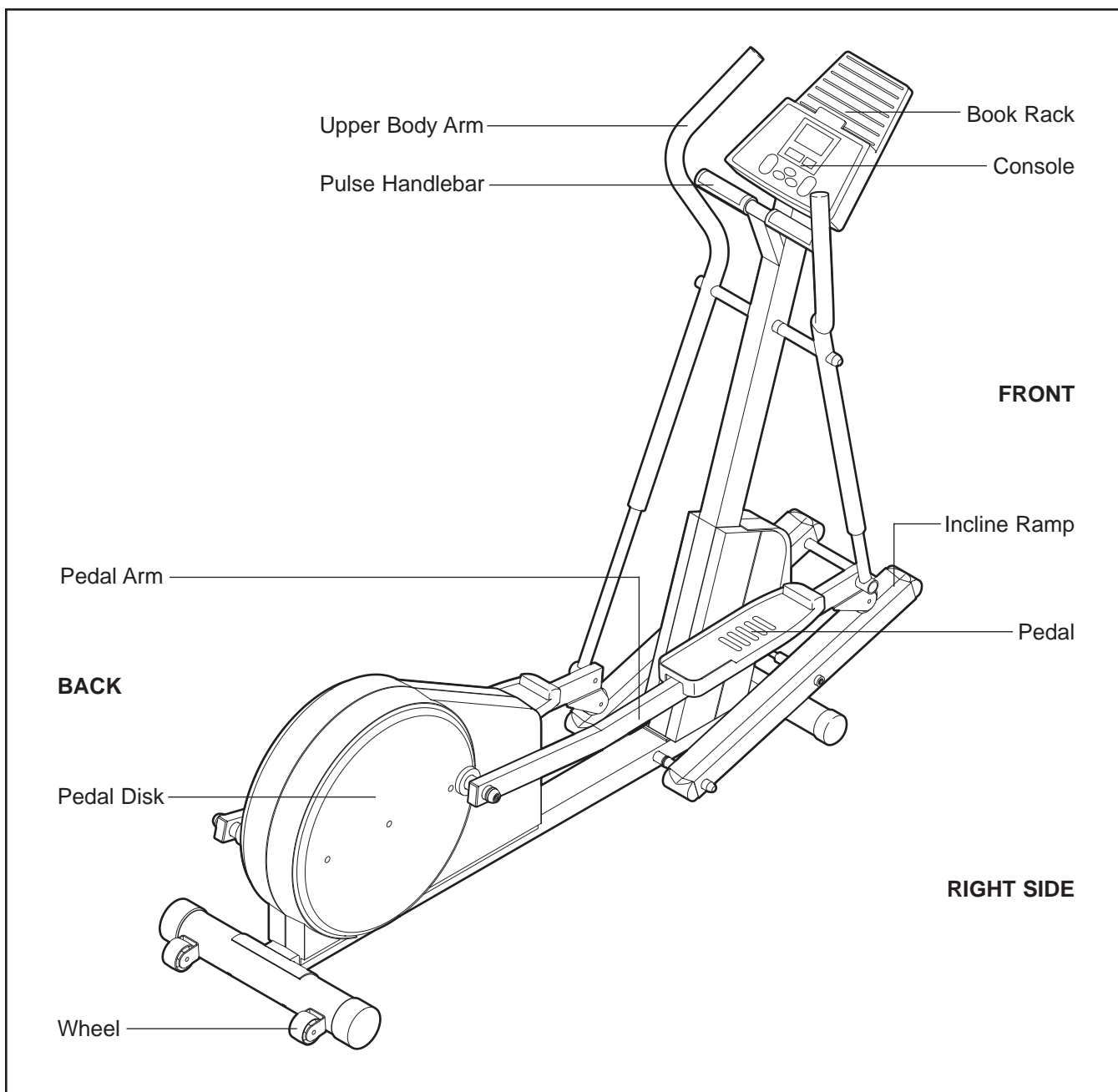
BEFORE YOU BEGIN

Congratulations for selecting the new Reebok® REL8 elliptical crosstrainer. The Reebok® REL8 is an incredibly smooth exerciser that moves your feet in a natural elliptical path, minimizing the impact on your knees and ankles. And the unique Reebok® REL8 features adjustable resistance and incline to help you get the most from your exercise. Welcome to a whole new world of natural, elliptical-motion exercise from Reebok.

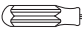


For your benefit, read this manual carefully before you use the elliptical crosstrainer. If you have addi-

tional questions, please call our Customer Service Department toll-free at 1-800-999-3756, Monday through Friday, 6 a.m. until 6 p.m. Mountain Time (excluding holidays). To help us assist you, please note the product model number and serial number before calling. The model number is RBEL12900. The serial number can be found on a decal attached to the elliptical crosstrainer (see the front cover of this manual for the location of the decal).

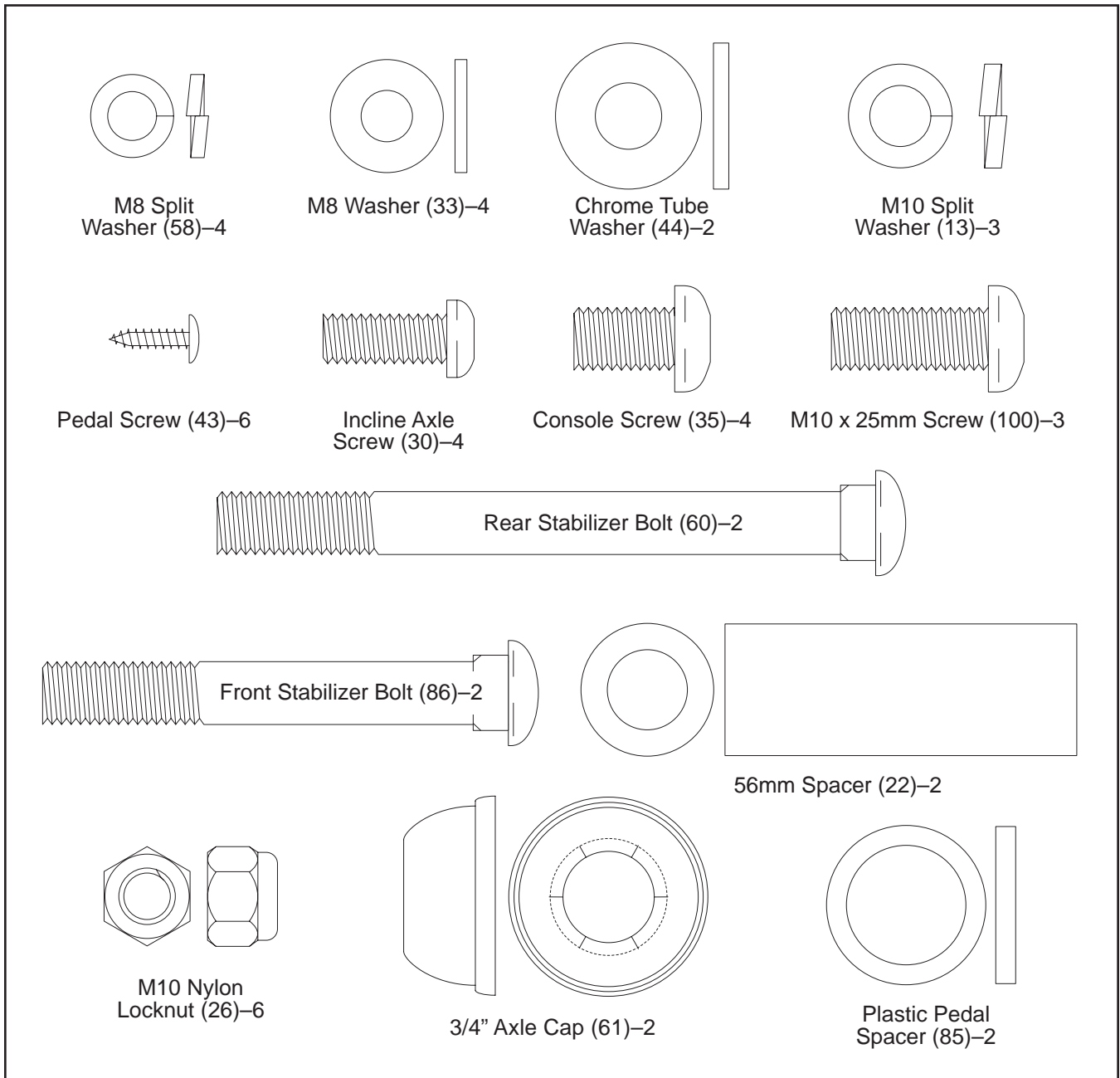
Before reading further, please familiarize yourself with the parts that are labeled in the drawing below.



ASSEMBLY

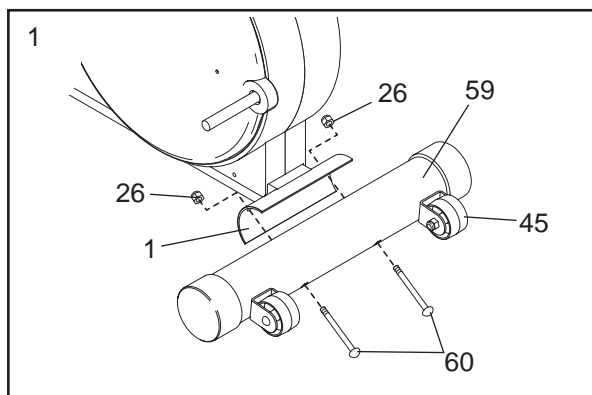
Assembly requires two people. Place all parts of the elliptical crosstrainer in a cleared area and remove the packing materials. Do not dispose of the packing materials until assembly is completed. **In addition to the included allen wrenches, assembly requires a phillips screwdriver** , **an adjustable wrench** , **and a rubber mallet** .

As you assemble the elliptical crosstrainer, use the drawings below to identify the small parts used in assembly. The number in parenthesis below each drawing refers to the key number of the part, from the PART LIST on page 22. The second number refers to the quantity used in assembly. **Note: Some small parts may have been pre-assembled for shipping. If a part is not in the parts bag, check to see if it has been pre-assembled.**

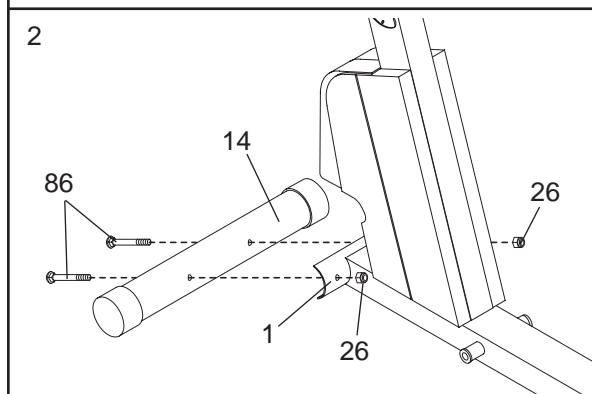


1. Identify the Rear Stabilizer (59), which has Wheels (45) attached to it.

Attach the Rear Stabilizer (59) to the rear of the Frame (1) with the two Rear Stabilizer Bolts (60) and two M10 Nylon Locknuts (26). **Make sure that the Rear Stabilizer is turned so the Wheels (45) are not touching the floor.**

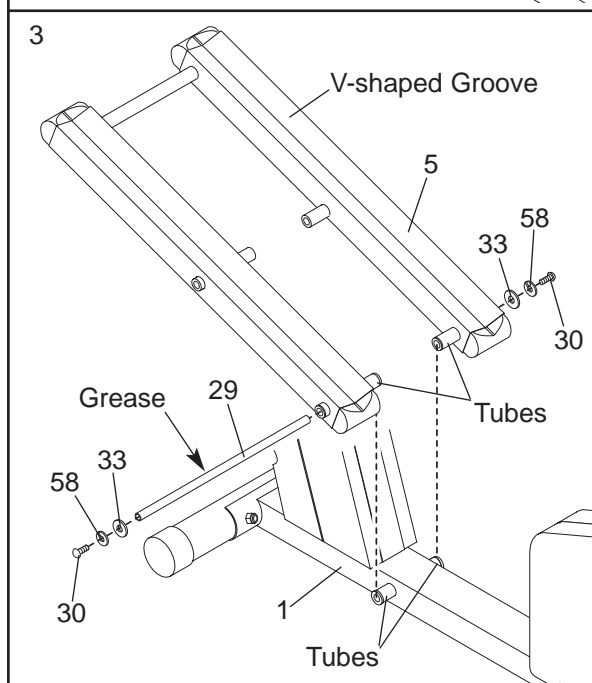


2. Attach the Front Stabilizer (14) to the front of the Frame (1) with the two Front Stabilizer Bolts (86) and two M10 Nylon Locknuts (26).



3. Slide an M8 Split Washer (58) and an M8 Washer (33) onto an Incline Axle Screw (30). Tighten the Incline Axle Screw into one end of an Incline Axle (29). Next, apply a small amount of the included grease to the Incline Axle.

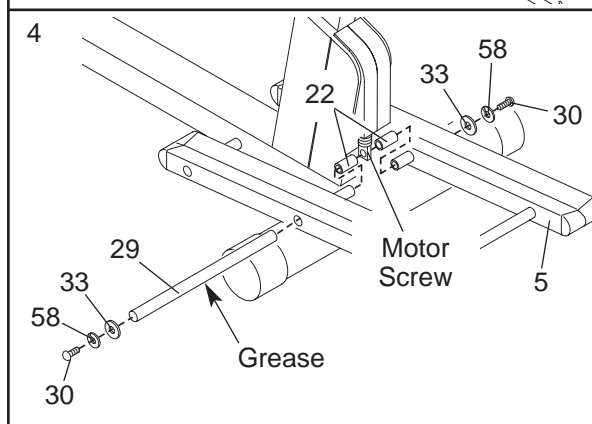
Align the indicated tubes on the Incline Ramp (5) with the tubes on the Base (1). **Make sure that the Incline Ramp is turned so the V-shaped grooves are on top.** Insert the Incline Axle (29) through the Incline Ramp and the Base. Note: It may be helpful to tap the Incline Axle with a rubber mallet to insert it.



Slide an M8 Split Washer (58) and an M8 Washer (33) onto another Incline Axle Screw (30). Tighten the Incline Axle Screw into the open end of the Incline Axle (29).

4. Slide an M8 Split Washer (58) and an M8 Washer (33) onto an Incline Axle Screw (30). Tighten the Incline Axle Screw into one end of the other Incline Axle (29). Next, apply a small amount of grease to the Incline Axle.

Raise the Incline Ramp (5). Insert the Incline Axle (29) through one side of the Incline Ramp, through a 56mm Spacer (22), through the end of the motor screw, through another 56mm Spacer (22), and then through the other side of the Incline Ramp.



Slide an M8 Split Washer (58) and an M8 Washer (33) onto another Incline Axle Screw (30). Tighten the Incline Axle Screw into the open end of the Incline Axle (29).

- Identify the Left Pedal Arm (3), which has an "L" sticker attached to it. Next, identify the Left Pedal (41), which has the letter "L" molded onto the bottom.

Turn over the Left Pedal Arm (3) as shown. Insert the three plastic posts on the Left Pedal (41) into the three indicated holes in the Left Pedal Arm. **Make sure that the Left Pedal is turned as shown.** Attach the Left Pedal with three Pedal Screws (43).

Attach the Right Pedal (not shown) to the Right Pedal Arm (not shown) in the same way.

- Apply a small amount of grease to the axle on the left Crank Arm (6).

Slide a Plastic Pedal Spacer (85) and the Left Pedal Arm (3) onto the axle on the left Crank Arm (6). Note: It may be helpful to use a rubber mallet to tap these parts on. **Be careful not to confuse the Left Pedal Arm with the Right Pedal Arm (not shown); look at the position of the round tube to correctly identify the Left Pedal Arm.** Next, tap a 3/4" Axle Cap (61) onto the axle.

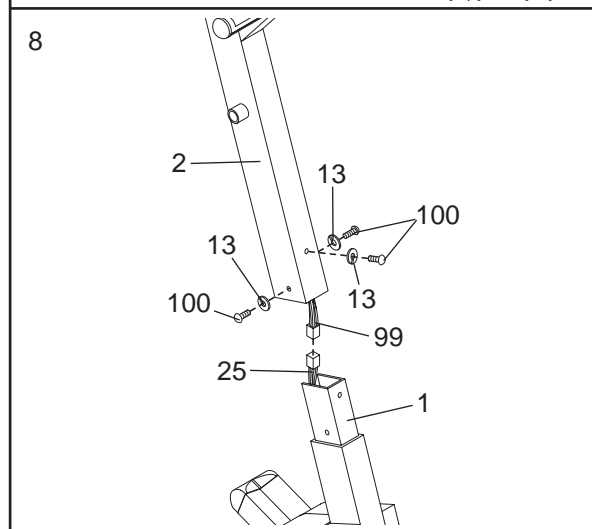
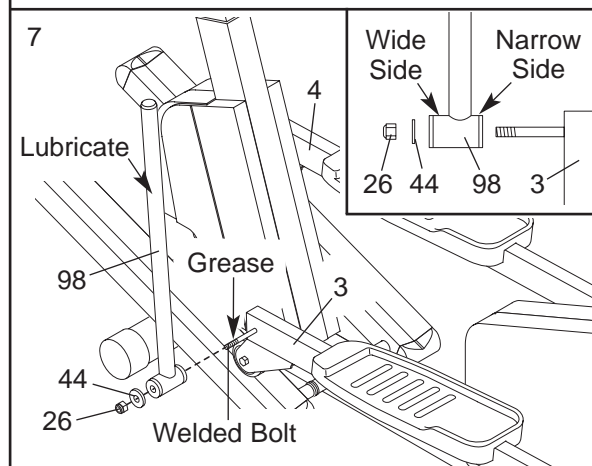
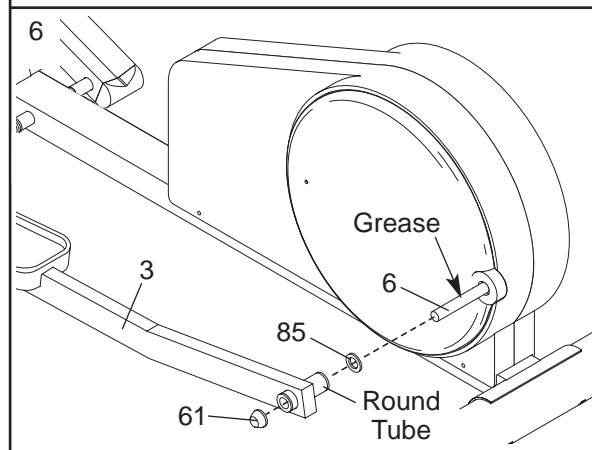
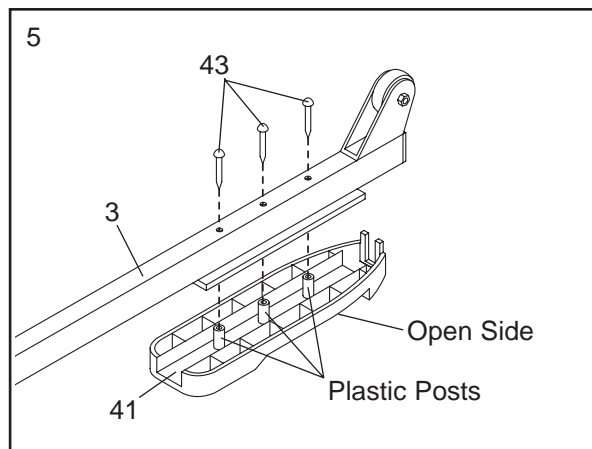
Attach the Right Pedal Arm (not shown) in the same way.

- Apply grease to the welded bolt on the Left Pedal Arm (3). Slide a Chrome Tube (98) and a Chrome Tube Washer (44) onto the welded bolt. **Make sure that the Chrome Tube is turned exactly as shown in the inset drawing.** Then, tighten an M10 Nylon Locknut (26) onto the welded bolt.

Attach the other Chrome Tube (not shown) to the Right Pedal Arm (4) in the same way.

Apply a small amount of the included Teflon® lubricant to a paper towel. Rub a thin film of the lubricant onto both Chrome Tubes (98).

- While another person holds the Upright (2) near the Frame (1), connect the Wire Harness (25) to the Extension Harness (99). Next, attach the Upright to the Frame with three M10 x 25mm Screws (100) and three M10 Split Washers (13). **Be careful to avoid pinching the wires.**

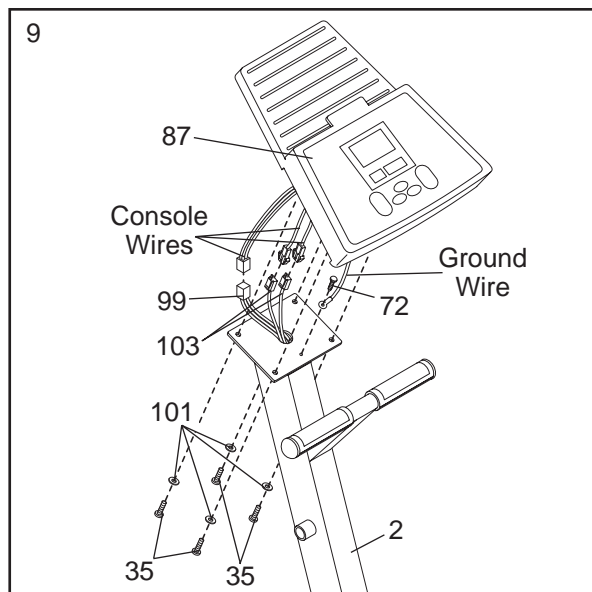


9. Remove the four Console Screws (35) and the four Console Washers (101) from the Console (87).

Connect the Extension Harness (99) and the Pulse Wires (103) to the corresponding console wires.

Attach the ground wire to the Upright (2) with an M4 x 16mm Screw (72).

Attach the Console (87) to the Upright (2) with the four Console Screws (35) and the four Console Washers (101) removed previously. **Be careful to avoid pinching the wires.**

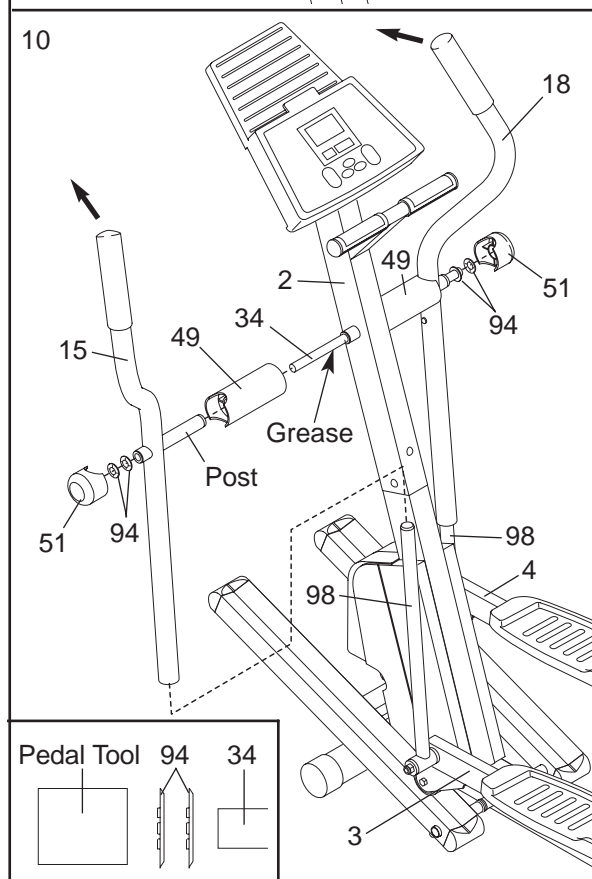


10. Slide the Left Upper Body Arm (15), which is marked with an “L” sticker, onto the Chrome Tube (98) on the Left Pedal Arm (3). Slide the Right Upper Body Arm (18) onto the Chrome Tube on the Right Pedal Arm (4). **Make sure that the Upper Body Arms are on the correct sides—the upper ends should bend in the direction shown by the arrows.** Next, slide an Axle Cover (49) onto the post on each Upper Body Arm.

Apply grease to the Arm Axle (34). Insert the Arm Axle into the Upright (2), the right Pivot Cover (49), and the Right Upper Body Arm (18) as shown. Push the Arm Axle into the Upright until the left end of the Axle is flush with the left side of the Upright. Next, raise the Left Upper Body Arm (15) and insert the Arm Axle into the left Axle Cover (49) and the Left Upper Body Arm. **Center the Arm Axle.**

Using the included pedal tool, tap two Push Nuts (94) **about 1/8”** onto each end of the Arm Axle (34). Make sure that the Push Nuts are turned as shown in the inset drawing. Note: It may be helpful if another person holds a block of wood against one end of the Arm Axle while you tap Push Nuts onto the other end.

Press the two Axle Caps (51) onto the Arm Axle (34).



11. **Make sure that all parts of the elliptical crosstrainer are properly tightened. Note: Some hardware may be left over after assembly is completed.** To protect the floor or carpet from damage, place a mat under the elliptical crosstrainer.

HOW TO USE THE ELLIPTICAL CROSSTRAINER

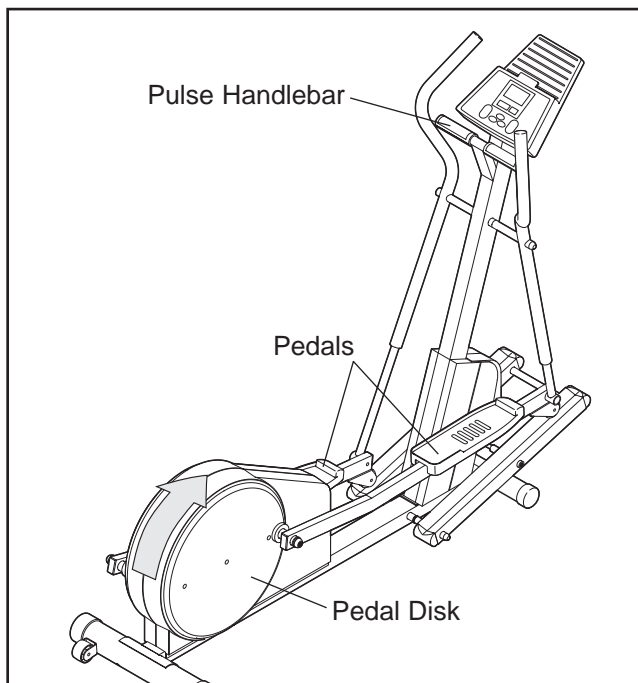
PLUGGING IN THE POWER CORD

Locate the power cord on the elliptical crosstrainer. Plug the power cord into a surge protector (not included), and plug the surge protector into a 120-volt outlet. The displays and various indicators on the console will light and a tone will sound. **To decrease the possibility of damaging the elliptical crosstrainer, always use a surge protector.**

Note: Each time the power cord is plugged in, the incline frame will move to the lowest position. In addition, the incline frame may automatically move up and then down as the elliptical crosstrainer goes through a calibration sequence. During the calibration sequence, dashes will appear in the left LED display and the INCLINE indicator will flash.

EXERCISING ON THE ELLIPTICAL CROSSTRAINER

To mount the elliptical crosstrainer, hold the pulse handlebar and step onto the pedal that is in the lowest position. Next, step onto the other pedal. Push the pedals until they begin to move with a continuous motion.



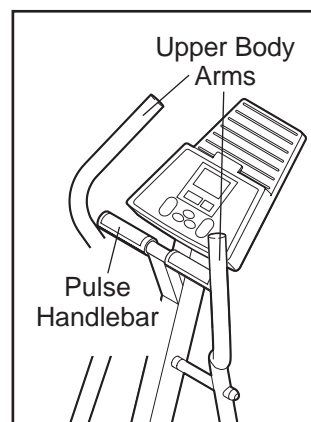
Note: The pedal disks can turn in either direction. It is recommended that you move the pedal disks in the direction shown by the arrow above; however, to give variety to your exercise, you may turn the pedal disks in the opposite direction.

To dismount the elliptical crosstrainer, wait until the pedals come to a complete stop. **Note: The elliptical crosstrainer does not have a free wheel; the pedals will continue to move until the flywheel stops.** When the pedals are stationary, step off the highest pedal first. Then, step off the lowest pedal.

HOW TO USE THE UPPER BODY ARMS

The upper body arms are designed to add upper-body exercise to your workouts. Move the upper-body arms forward and back as you exercise in order to work your arms, back, and shoulders.

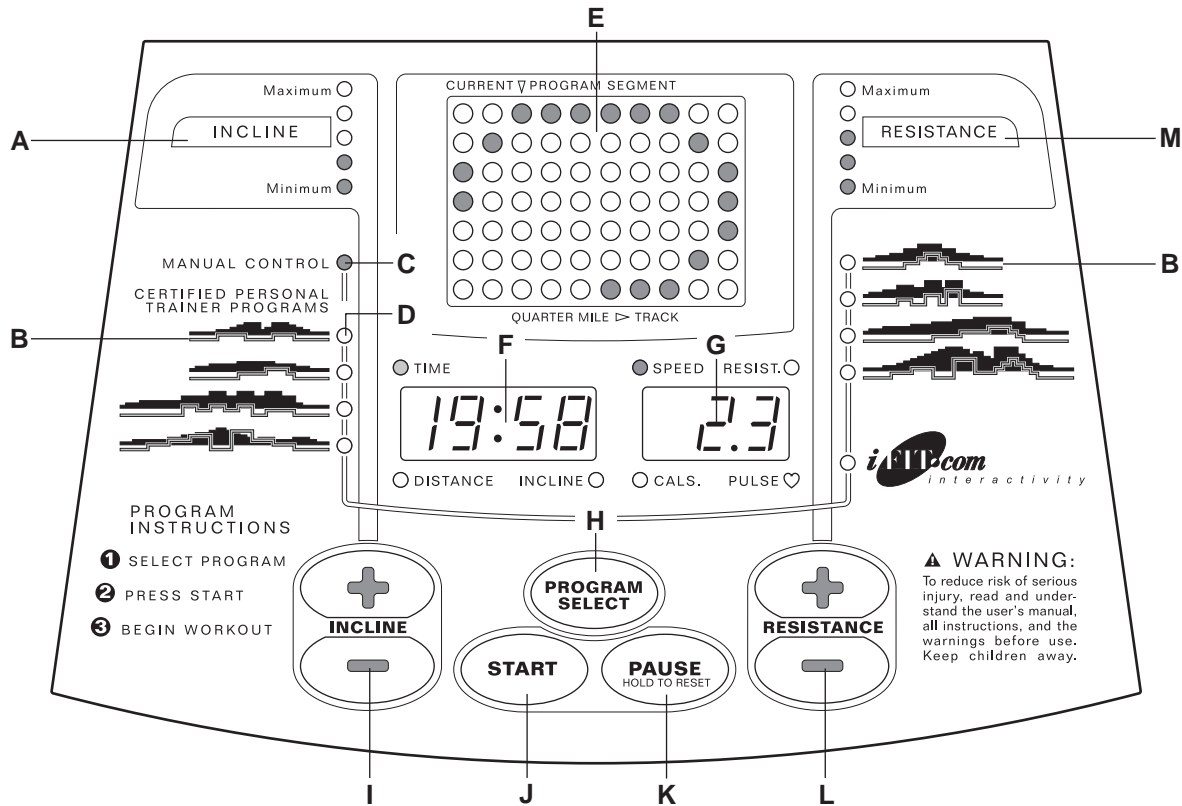
To exercise only your lower body, hold the pulse handlebar as you exercise.



CAUTION: Before operating the console, read the following precautions.

- Always hold the pulse handlebar or the upper body arms when mounting, dismounting, or using the elliptical crosstrainer.
- When you stop exercising, allow the pedals to slowly come to a stop.
- Keep your feet and objects from beneath the elliptical crosstrainer.
- To reduce the risk of electric shock, keep the console dry.
- The pulse sensor is not a medical device. Various factors may affect the accuracy of heart rate readings. The pulse sensor is intended only as an exercise aid in determining heart rate trends in general.

CONSOLE DIAGRAM



DESCRIPTION OF THE CONSOLE

The advanced console offers a variety of features to help you get the most from your workouts.

When the manual mode of the console is selected, the incline and the resistance of the elliptical crosstrainer can be changed with a touch of a button. As you exercise, the LED matrix and displays will provide continuous exercise feedback. You can even measure your heart rate using the built-in pulse sensor.

The console also offers eight certified personal trainer programs. Each program automatically changes the incline and the resistance of the elliptical crosstrainer as it guides you through an effective workout.

The console also features new iFIT.com interactive technology. iFIT.com technology is like having a personal trainer right in your home. Using the included audio cable, you can connect the elliptical crosstrainer to your home stereo, portable stereo, or computer and play special iFIT.com CD programs (CD's are available separately). iFIT.com CD programs automatically control the incline and the resistance of the elliptical crosstrainer as a personal trainer coaches you

through every step of your workout. High-energy music provides added motivation. Each CD features two programs designed by certified personal trainers.

In addition, you can connect the elliptical crosstrainer to your VCR and TV and play iFIT.com video programs (videocassettes are available separately). Video programs offer the same benefits as iFIT.com CD programs, but add the excitement of working out with a class and an instructor—the hottest new trend at health clubs.

With the elliptical crosstrainer connected to your computer, you can also go to our new internet site at www.iFIT.com and access audio programs and video programs directly from the internet. And by adding an optional upgrade module to the elliptical crosstrainer, you can use virtually endless features from our internet site. See www.iFIT.com for complete details.

To purchase an optional upgrade module, see page 18. For information about the availability of iFIT.com CD's or videocassettes, call toll-free 1-800-884-0620.

Refer to the drawing on page 10.

Note: If there is a thin sheet of clear plastic on the face of the console, remove it.

- A. Incline Display—This display shows the incline level of the elliptical crosstrainer.
- B. Program Profiles—These profiles show how the resistance and incline of the elliptical crosstrainer will change during personal trainer programs. For example, the upper profile on the right side of the console shows that the resistance and incline will gradually increase during the first half of the indicated program, and then gradually decrease during the last half.
- C. MANUAL CONTROL Indicator—This indicator will light to show when the manual mode is selected.
- D. Program/iFIT.com Indicators—These indicators light to show when a personal trainer program or the iFIT.com mode is selected.
- E. LED Matrix—When the manual mode or the iFIT.com mode is selected, the LED matrix will show a quarter-mile track. When a personal trainer program is selected, the matrix will show your progress and upcoming resistance settings.
- F. TIME/DISTANCE/INCLINE/LAPS Display—This display shows the elapsed time (or the remaining time in a personal trainer program), the distance that the pedals have moved, the incline level, and the total number of quarter-mile laps completed. The display will change modes every seven seconds. Note: The letter “L” will appear in the display when the number of laps is shown.
- G. SPEED/CALORIES/PULSE/RESISTANCE Display— This display shows your current speed, the approximate number of calories you have burned, and the resistance level. The display will change modes every seven seconds. When the pulse sensor is used, the display will also show your heart rate.
- H. PROGRAM SELECT Button—This button is used to select the manual mode, personal trainer programs, and the iFIT.com mode.
- I. INCLINE Buttons—These buttons control the incline of the elliptical crosstrainer. Each time one of the buttons is pressed, the incline level will change by 1%. If a button is held down, the incline will change in increments of 5%. The incline range is 0% to 30%.
- J. START Button—This button is used to start the console.
- K. PAUSE Button—This button is used to pause the console. If the button is held down, the displays will be reset.
- L. RESISTANCE Buttons—These buttons control the resistance of the elliptical crosstrainer. There are ten resistance levels.
- M. RESISTANCE Display—This display shows the resistance level of the elliptical crosstrainer.

HOW TO USE THE MANUAL MODE

1 Turn on the power

Make sure that the power cord is properly plugged in (see page 9). To turn on the power, press the START button or simply begin exercising. The console will sound a tone and various displays and indicators will light. Note: If you have moved the pedals, the power will already be on.

2 Select the manual mode

Each time the power is turned on, the manual mode will be selected and the MANUAL CONTROL indicator will light. If a personal trainer program or the iFIT.com mode has been selected, press the PROGRAM SELECT button repeatedly to select the manual mode. **Note: When you press the PROGRAM SELECT button, the incline will automatically change to the lowest position.**



3 Begin exercising and adjust the incline and the resistance of the elliptical crosstrainer

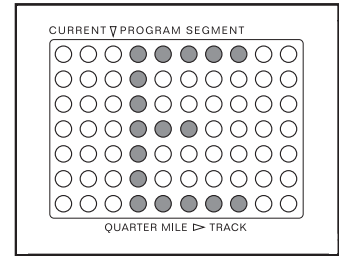
As you exercise, adjust the incline and resistance as desired by pressing the INCLINE and RESISTANCE buttons. The incline setting will be shown in the left display. The resistance setting will be shown in the right display. Note: After the buttons are pressed, it may take a few seconds for the selected setting to be reached.

4 Follow your progress with the displays

When the manual mode is selected, the LED matrix will display a quarter-mile track. As you exercise, the indicators around the track will light in sequence until you have completed one lap. The LED matrix will then darken and a new lap will begin.

The left display will show the elapsed time, the distance that the pedals have moved, the incline level, and the number of laps you have completed. The right display will show your current speed, the approximate number of calories you have burned, and the resistance level. The right display will also show your heart rate when the pulse sensor is used (see step 5).

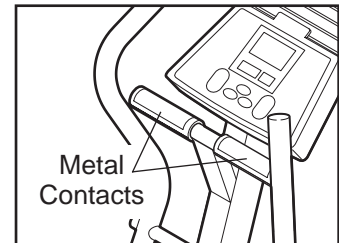
Note: The console can display speed and distance in either miles or kilometers. To find which unit of measurement is selected, first press the INCLINE + button and the RESISTANCE + button at the same time. The LED matrix will show a letter E (for English miles) or a letter M (for metric kilometers) to show



which unit of measurement is selected. Press the RESISTANCE + button to change the unit of measurement if desired. When the desired unit of measurement is selected, press the PAUSE button.

5 Measure your heart rate if desired

Important: If there are thin sheets of plastic on the metal contacts on the pulse sensor, peel off the plastic before using the pulse sensor. To use the



pulse sensor, place your hands on the metal contacts. Your palms must be resting on the upper contacts and your fingers must be touching the lower contacts. Avoid moving your hands. When your pulse is detected, the heart-shaped indicator below the right display will light, one or two dashes (—) will appear, and then your heart rate will be shown.

For the most accurate heart rate reading, continue to hold the contacts for about 15 seconds. The right display will show your heart rate for up to 15 seconds; the display will then show your current speed, calories burned, your heart rate, and the resistance level, in seven-second intervals. **Note: Your heart rate will be shown only when the pulse sensor is used.**

6 When you are finished exercising, the console will automatically turn off after ten minutes

If the pedals are not moved and the console buttons are not pressed for ten minutes, **the console will automatically switch into a “sleep” mode. Important: Unplug the power cord after each use.**

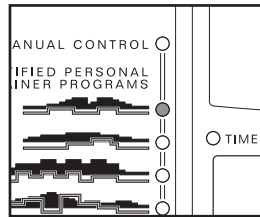
HOW TO USE CERTIFIED PERSONAL TRAINER PROGRAMS

1 Turn on the power

See step 1 on page 12.

2 Select one of the eight personal trainer programs

Each time the power is turned on, the manual mode will be selected and the MANUAL CONTROL indicator will light. To select one of the personal trainer programs, press the PROGRAM SELECT button repeatedly until one of the eight program indicators lights. **Note: When you press the PROGRAM SELECT button, the incline will automatically change to its lowest position.**

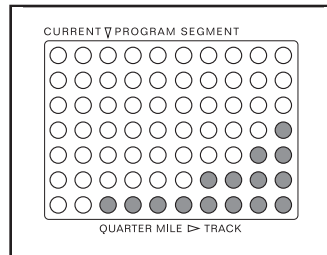


As you select each program, the LED matrix will show the first eight resistance settings of the program you have selected (see step 3).

3 Start the program

To start the program, press the START button or simply begin exercising.

Each program is divided into twenty, one-minute segments. One resistance setting and one incline setting are programmed for each segment. The resistance setting for the first segment is shown in the flashing CURRENT PROGRAM SEGMENT column of the LED matrix. The settings for the next seven segments are shown in the columns to the right. (The incline settings are not shown in the matrix.)



When only three seconds remain in the first segment, a series of tones will sound. All resistance

settings will then move one column to the left. The setting for the second segment will then be shown in the CURRENT PROGRAM SEGMENT column and the elliptical crosstrainer will adjust to the second resistance and incline settings.

If the resistance or incline setting for the current segment is too high or too low, the setting can be adjusted by pressing the RESISTANCE or INCLINE buttons. However, when the next segment begins, the elliptical crosstrainer will automatically adjust to the next resistance and incline settings for the program.

The program will continue until the setting for the twentieth segment is shown in the CURRENT PROGRAM SEGMENT column and the left display counts down to zero. The console will then sound a tone and the two displays will pause. The console will remain in this state until the START button, the PAUSE button, or the PROGRAM SELECT button is pressed.

To pause the program before it is completed, press the PAUSE button or allow the pedals to come to a stop and step off the pedals. A tone will sound, the two displays will pause, and the left display will flash. To restart the program, simply resume exercising. **Note: The console will automatically switch into the sleep mode if the pedals are not moved for ten minutes or longer.**

4 Follow your progress with the console displays

As you exercise, the two displays will show the time remaining in the program, the distance that the pedals have moved, the incline level, the number of laps completed, your current speed, the approximate number of calories burned, and the resistance level. Your heart rate will also be shown when the pulse sensor is used (see step 5 on page 12).

5 Measure your heart rate if desired

See step 5 on page 12.

6 When you are finished exercising, the console will automatically turn off after ten minutes

See step 6 on page 12.

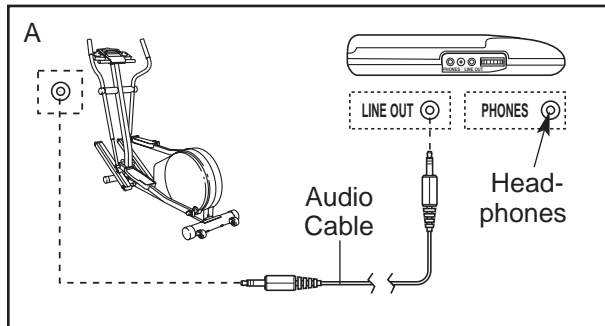
HOW TO CONNECT THE ELLIPTICAL CROSSTRAINER TO YOUR CD PLAYER, VCR, OR COMPUTER

To use **iFIT.com CD's**, the elliptical crosstrainer must be connected to your portable CD player, portable stereo, home stereo, or computer with CD player. See pages 14 and 15 for connecting instructions. To use **iFIT.com videocassettes**, the elliptical crosstrainer be connected to your VCR. See page 16 for connecting instructions. To use **iFIT.com programs directly from our internet site**, the elliptical crosstrainer must be connected to your home computer. See page 15.

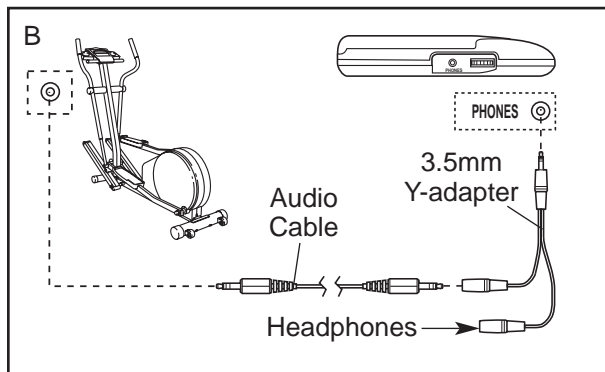
HOW TO CONNECT YOUR PORTABLE CD PLAYER

Note: If your CD player has separate **LINE OUT** and **PHONES** jacks, see instruction A below. If your CD player has only one jack, see instruction B.

- A. Plug one end of the audio cable into the jack beneath the console of the elliptical crosstrainer. Plug the other end of the cable into the **LINE OUT** jack on your CD player. Plug your headphones into the **PHONES** jack.



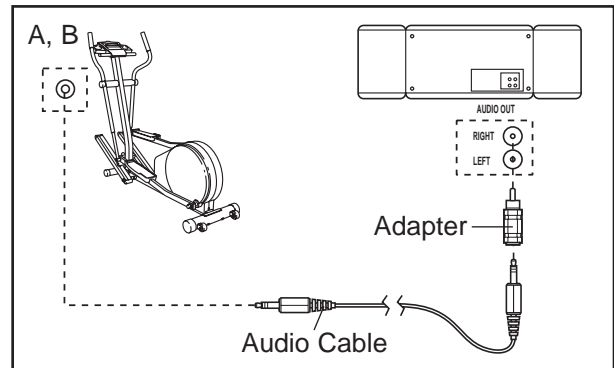
- B. Plug one end of the audio cable into the jack beneath the console of the elliptical crosstrainer. Plug the other end of the cable into a 3.5mm Y-adaptor (available at electronics stores). Plug the Y-adaptor into the **PHONES** jack on your CD player. Plug your headphones into the other side of the Y-adaptor.



HOW TO CONNECT YOUR PORTABLE STEREO

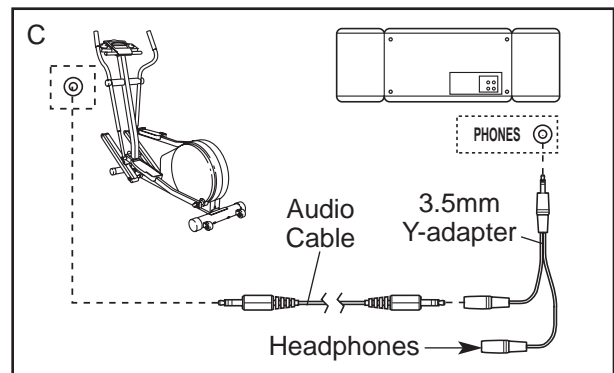
Note: If your stereo has an **RCA-type AUDIO OUT** jack, see instruction A below. If your stereo has a **3.5mm LINE OUT** jack, see instruction B. If your stereo has only a **PHONES** jack, see instruction C.

- A. Plug one end of the audio cable into the jack beneath the console of the elliptical crosstrainer. Plug the other end of the cable into the included adapter. Plug the adapter into an **AUDIO OUT** jack on your stereo.



- B. Plug one end of the audio cable into the jack beneath the console of the elliptical crosstrainer. Plug the other end of the cable into the **LINE OUT** jack on your stereo. Do not use the adapter.

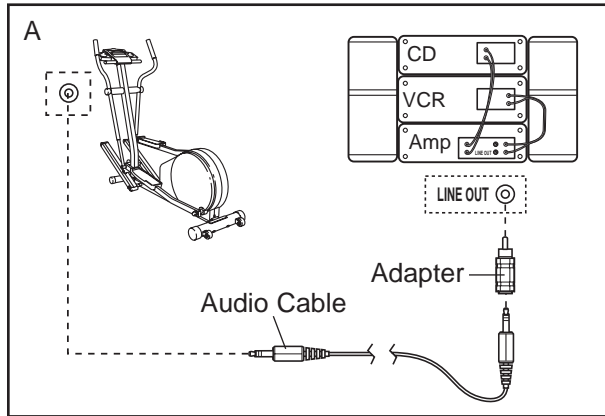
- C. Plug one end of the audio cable into the jack beneath the console of the elliptical crosstrainer. Plug the other end of the cable into a 3.5mm Y-adaptor (available at electronics stores). Plug the Y-adaptor into the **PHONES** jack on your stereo. Plug your headphones into the other side of the Y-adaptor.



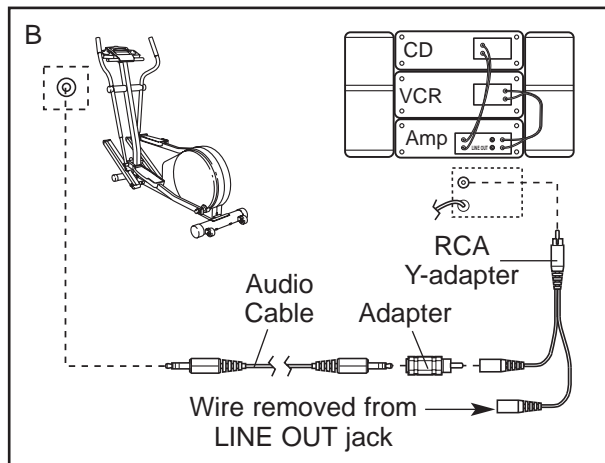
HOW TO CONNECT YOUR HOME STEREO

Note: If your stereo has an unused **LINE OUT** jack, see instruction **A** below. If the **LINE OUT** jack is being used, see instruction **B**.

- A. Plug one end of the audio cable into the jack beneath the console of the elliptical crosstrainer. Plug the other end of the cable into the included adapter. Plug the adapter into the **LINE OUT** jack on your stereo.



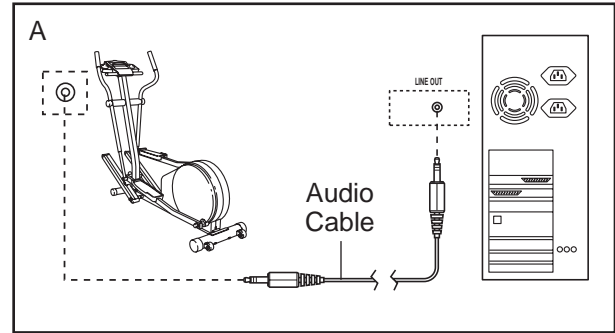
- B. Plug one end of the audio cable into the jack beneath the console of the elliptical crosstrainer. Plug the other end of the cable into the included adapter. Plug the adapter into an RCA Y-adapter (available at electronics stores). Next, remove the wire that is currently plugged into the **LINE OUT** jack on your stereo and plug the wire into the unused side of the RCA Y-adapter. Plug the RCA Y-adapter into the **LINE OUT** jack on your stereo.



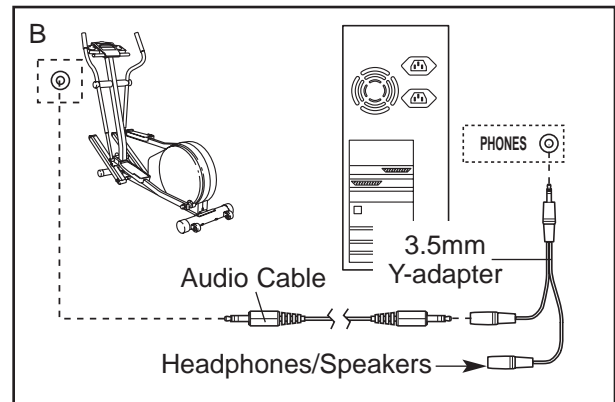
HOW TO CONNECT YOUR COMPUTER

Note: If your computer has a 3.5mm **LINE OUT** jack, see instruction **A**. If your computer has only a **PHONES** jack, see instruction **B**.

- A. Plug one end of the audio cable into the jack beneath the console of the elliptical crosstrainer. Plug the other end of the cable into the **LINE OUT** jack on your computer.



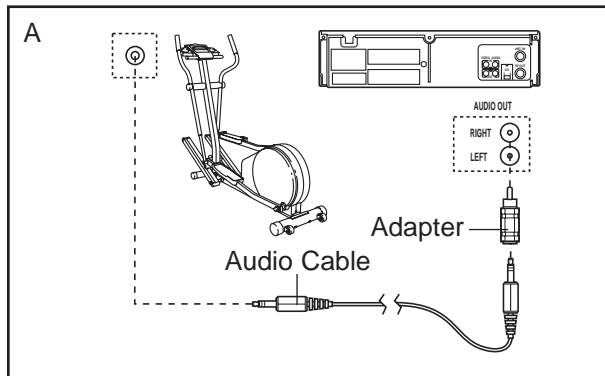
- B. Plug one end of the audio cable into the jack beneath the console of the elliptical crosstrainer. Plug the other end of the cable into a 3.5mm Y-adapter (available at electronics stores). Plug the Y-adapter into the **PHONES** jack on your computer. Plug your headphones or speakers into the other side of the Y-adapter.



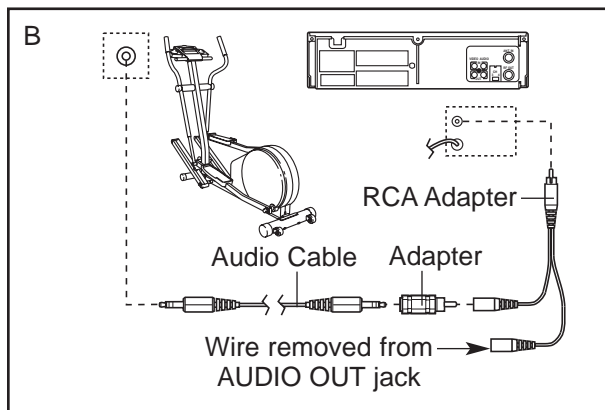
HOW TO CONNECT YOUR VCR

Note: If your VCR has an unused AUDIO OUT jack, see instruction A below. If the AUDIO OUT jack is being used, see instruction B. If you have a TV with a built-in VCR, see instruction B. If your VCR is connected to your home stereo, see **HOW TO CONNECT YOUR HOME STEREO** on page 15.

- A. Plug one end of the audio cable into the jack beneath the console of the elliptical crosstrainer. Plug the other end of the cable into the included adapter. Plug the adapter into the AUDIO OUT jack on your VCR.



- B. Plug one end of the audio cable into the jack beneath the console of the elliptical crosstrainer. Plug the other end of the cable into the included adapter. Plug the adapter into an RCA adapter (available at electronics stores). Next, remove the wire that is currently plugged into the AUDIO OUT jack on your VCR and plug the wire into the unused side of the RCA adapter. Plug the RCA adapter into the AUDIO OUT jack on your VCR.



HOW TO USE iFIT.COM CD AND VIDEO PROGRAMS

To use iFIT.com CD's or videocassettes, the elliptical crosstrainer must be connected to your portable CD player, portable stereo, home stereo, computer with CD player, or VCR. See **HOW TO CONNECT THE ELLIPTICAL CROSSTRAINER TO YOUR CD PLAYER, VCR, OR COMPUTER** on page 14. **Note: For information about the availability of iFIT.com CD's or videocassettes, call toll-free 1-800-884-0620.**

Follow the steps below to use an iFIT.com CD or video program.

1 Turn on the power

See step 1 on page 12.

2 Select the iFIT.com mode

Each time the power is turned on, the manual mode will be selected and the MANUAL CONTROL indicator will light.



To select the iFIT.com mode, press the PROGRAM SELECT button repeatedly until the iFIT.com indicator lights. **Note: When you press the PROGRAM SELECT button, the incline will automatically change to the lowest position.**

3 Insert the iFIT.com CD or videocassette

If you are using an iFIT.com CD, insert the CD into your CD player. If you are using an iFIT.com videocassette, insert the videocassette into your VCR.

4 Press the play button on your CD player or VCR

A moment after the play button is pressed, your personal trainer will begin guiding you through your workout. Simply follow your personal trainer's instructions.

During the program, the incline and the resistance of the elliptical crosstrainer will automatically change according to the settings for the program. An electronic "chirping" sound will alert you when the incline and/or resistance is about to change.

If the incline or resistance setting is too high or too low, you can manually override the setting at any time by pressing the INCLINE or RESISTANCE buttons on the console. However, when the next “chirp” is heard, the incline and/or resistance will change to the next setting for the program.

Note: If the incline and/or resistance of the elliptical crosstrainer does not change when a “chirp” is heard:

- make sure that the iFIT.com indicator is lit
- adjust the volume of your CD player or VCR. If the volume is too high or too low, the console may not detect the program signals
- make sure that the audio cable is properly connected and that it is fully plugged in.

5 Follow your progress with the displays

Refer to step 4 on page 12.

6 Measure your heart rate if desired

Refer to step 5 on page 12.

7 When you are finished exercising, the console will automatically turn off after ten minutes

Refer to step 6 on page 12.

HOW TO USE PROGRAMS DIRECTLY FROM OUR INTERNET SITE

Our new internet site at www.iFIT.com allows you to play iFIT.com audio and video programs directly from the internet. By adding an optional upgrade module to the console, you can use virtually endless features from our internet site. Explore www.iFIT.com for details. **To purchase an upgrade module, see page 18.**

To use programs from our internet site, the elliptical crosstrainer must be connected to your home computer. See HOW TO CONNECT YOUR COMPUTER on page 15. In addition, you must have an internet connection and an internet service provider. A list of specific system requirements will be found on our internet site.

Follow the steps below to use a program from our internet site.

1 Turn on the power

See step 1 on page 12.

2 Select the iFIT.com mode

Each time the power is turned on, the manual mode will be selected and the MANUAL CONTROL indicator will light.



To select the iFIT.com mode, press the PROGRAM SELECT button repeatedly until the iFIT.com indicator lights. **Note: When you press the PROGRAM SELECT button, the incline will automatically change to the lowest position.**

3 Go to your computer and start an internet connection

4 Start your web browser, if necessary, and go to our internet site at www.iFIT.com

5 Follow the desired links on our internet site to select a program

Read and follow the on-line instructions for using a program.

6 Follow the on-line instructions to start the program

When you start the program, an on-screen countdown will begin.

7 Return to the elliptical crosstrainer

When the on-screen countdown ends, the program will begin. During the program, the incline and the resistance of the elliptical crosstrainer will automatically change according to the settings for the program. An electronic “chirping” sound will alert you when the incline and/or resistance is about to change.

If the incline or resistance setting is too high or too low, you can manually override the setting at any time by pressing the INCLINE or RESISTANCE buttons on the console. However, when the next “chirp” is heard, the incline and/or resistance will change to the next setting for the program.

8 Follow your progress with the displays

Refer to step 4 on page 12.

9 Measure your heart rate if desired

Refer to step 5 on page 12.

10 When you are finished exercising, the console will automatically turn off after ten minutes

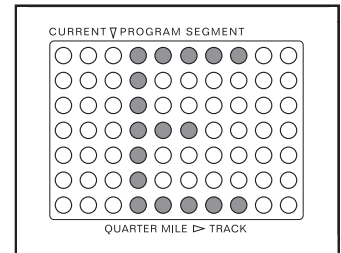
Refer to step 6 on page 12.

THE INFORMATION MODE

The console features an information mode that keeps track of the total number of miles that the pedals have moved and the total number of hours that the elliptical crosstrainer has been used. The information mode also allows you to switch the console from miles to kilometers.

To select the information mode, press the INCLINE + button and the RESISTANCE + button at the same time. The following information will be shown:

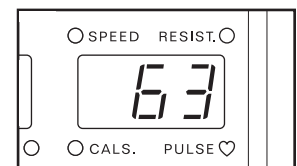
The LED matrix will show a letter E (for English miles) or a letter M (for metric kilometers) to show whether the console is displaying speed and distance in miles or kilometers. Press the RESISTANCE + button to change the unit of measurement, if desired.



The left LED display will show the total number of miles that the pedals have moved.



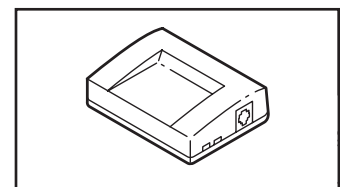
The right LED display will show the total number of hours that the elliptical crosstrainer has been used.



To exit the information mode, press the PAUSE button.

THE OPTIONAL IFIT.COM MODULE

By adding an optional iFIT.com module to the elliptical crosstrainer, you can use virtually endless features from our internet site.

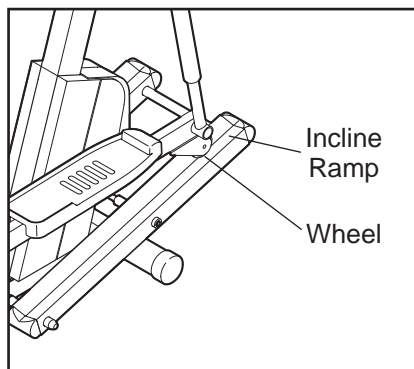


Imagine on-line competitions, personal training sessions via the internet, and the ability to use your computer to track your workouts.

For information about purchasing the optional iFIT.com module, see your local REEBOK dealer or call toll-free 1-800-884-0620.

MAINTENANCE AND TROUBLESHOOTING

For smooth operation of the elliptical crosstrainer, the incline ramp should be kept clean. Using a soft cloth and mild detergent, clean dust and other residue from the incline ramp where the wheels make contact with it. Other parts of the elliptical crosstrainer can also be cleaned in this manner. **Never use abrasives or solvents.**



Inspect and tighten all parts of the elliptical crosstrainer regularly. Replace any worn parts immediately.

CALIBRATING THE RESISTANCE AND INCLINE SYSTEMS

If the elliptical crosstrainer's resistance or incline system is not working properly, you may need to activate the calibration process.

To activate the resistance calibration process, press the lowest RESISTANCE button. Wait for the resistance motor to stop. Next, press the highest RESISTANCE button. While the resistance motor is running, unplug the power cord from the wall. Wait for a few seconds and then plug the power cord back in. The resistance system will now calibrate itself. It will not need to be calibrated again.

To activate the incline calibration process, press the lowest INCLINE button. Wait for the incline motor to stop. Next, press the highest INCLINE button. While the incline motor is running, unplug the power cord. Wait for a few seconds and then plug the power cord back in. The incline system will now calibrate itself. It will not need to be calibrated again.

CONDITIONING GUIDELINES

The following guidelines will help you to plan your exercise program. Remember that proper nutrition and adequate rest are essential for successful results.




WARNING:

Before beginning this or any exercise program, consult your physician. This is especially important for persons over the age of 35 or persons with pre-existing health problems.

The pulse sensor is not a medical device. Various factors may affect the accuracy of heart rate readings. The pulse sensor is intended only as an exercise aid in determining heart rate trends in general.

EXERCISE INTENSITY

Whether your goal is to burn fat or to strengthen your cardiovascular system, the key to achieving the desired results is to exercise with the proper intensity. The proper intensity level can be found by using your heart rate as a guide. The chart below shows recommended heart rates for fat burning, maximum fat burning, and cardiovascular (aerobic) exercise.

165	155	145	140	130	125	115	
145	138	130	125	118	110	103	
125	120	115	110	105	95	90	
<hr/>							
20	30	40	50	60	70	80	

To find the proper heart rate for you, first find your age on the bottom line of the chart (ages are rounded off to the nearest ten years). Next, find the three numbers above your age. The three numbers are your “training zone.” The lowest number is the recommended heart rate for fat burning; the middle number is the recommended heart rate for maximum fat burning; the highest number is the recommended heart rate for aerobic exercise.

To measure your heart rate, first exercise for at least four minutes. Then, measure your heart rate using the pulse sensor (see step 5 on page 12).

Fat Burning

To burn fat effectively, you must exercise at a relatively low intensity level for a sustained period of time. During the first few minutes of exercise, your body uses easily accessible *carbohydrate* calories for energy. Only after the first few minutes of exercise does your body begin to use stored *fat* calories for energy. If your goal is to burn fat, adjust the intensity of your exercise until your heart rate is near the lowest number in your training zone as you exercise.

For maximum fat burning, adjust the intensity of your exercise until your heart rate is near the middle number in your training zone as you exercise.

Aerobic Exercise

If your goal is to strengthen your cardiovascular system, your exercise must be “aerobic.” Aerobic exercise is activity that requires large amounts of oxygen for prolonged periods of time. This increases the demand on the heart to pump blood to the muscles, and on the lungs to oxygenate the blood. For aerobic exercise, adjust the intensity of your exercise until your heart rate is near the highest number in your training zone.

WORKOUT GUIDELINES

Each workout should include the following three important parts:

A warm-up, consisting of 5 to 10 minutes of stretching and light exercise (see **SUGGESTED STRETCHES** on page 21). A proper warm-up increases your body temperature, heart rate, and circulation in preparation for exercise.

Training zone exercise, consisting of 20 to 30 minutes of exercising with your heart rate in your training zone. (During the first few weeks of your exercise program, do not keep your heart rate in your training zone for longer than 20 minutes.)

A cool-down, with 5 to 10 minutes of stretching. This will increase the flexibility of your muscles and will help to prevent post-exercise problems.

To maintain or improve your condition, complete three workouts each week, with at least one day of rest between workouts. After a few months of regular exercise, you may complete up to five workouts each week if desired. The key to success is to make exercise a regular and enjoyable part of your everyday life.

SUGGESTED STRETCHES

The correct form for several basic stretches is shown below. Move slowly as you stretch—never bounce.

1. Toe Touch Stretch

Stand with your knees bent slightly and slowly bend forward from your hips. Allow your back and shoulders to relax as you reach down toward your toes as far as possible. Hold for 15 counts, then relax. Repeat 3 times. Stretches: Hamstrings, back of knees and back.

2. Hamstring Stretch

Sit with one leg extended. Bring the sole of the opposite foot toward you and rest it against the inner thigh of your extended leg. Reach toward your toes as far as possible. Hold for 15 counts, then relax. Repeat 3 times for each leg. Stretches: Hamstrings, lower back and groin.

3. Calf/Achilles Stretch

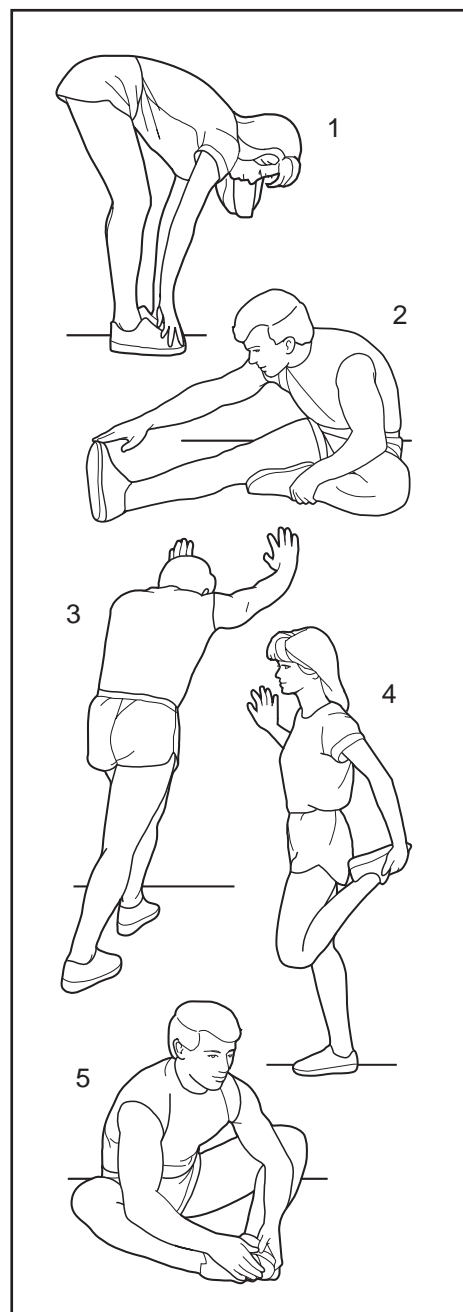
With one leg in front of the other, reach forward and place your hands against a wall. Keep your back leg straight and your back foot flat on the floor. Bend your front leg, lean forward and move your hips toward the wall. Hold for 15 counts, then relax. Repeat 3 times for each leg. To cause further stretching of the achilles tendons, bend your back leg as well. Stretches: Calves, achilles tendons and ankles.

4. Quadriceps Stretch

With one hand against a wall for balance, reach back and grasp one foot with your other hand. Bring your heel as close to your buttocks as possible. Hold for 15 counts, then relax. Repeat 3 times for each leg. Stretches: Quadriceps and hip muscles.

5. Inner Thigh Stretch

Sit with the soles of your feet together and your knees outward. Pull your feet toward your groin area as far as possible. Hold for 15 counts, then relax. Repeat 3 times. Stretches: Quadriceps and hip muscles.



PART LIST—Model No. RBEL12900

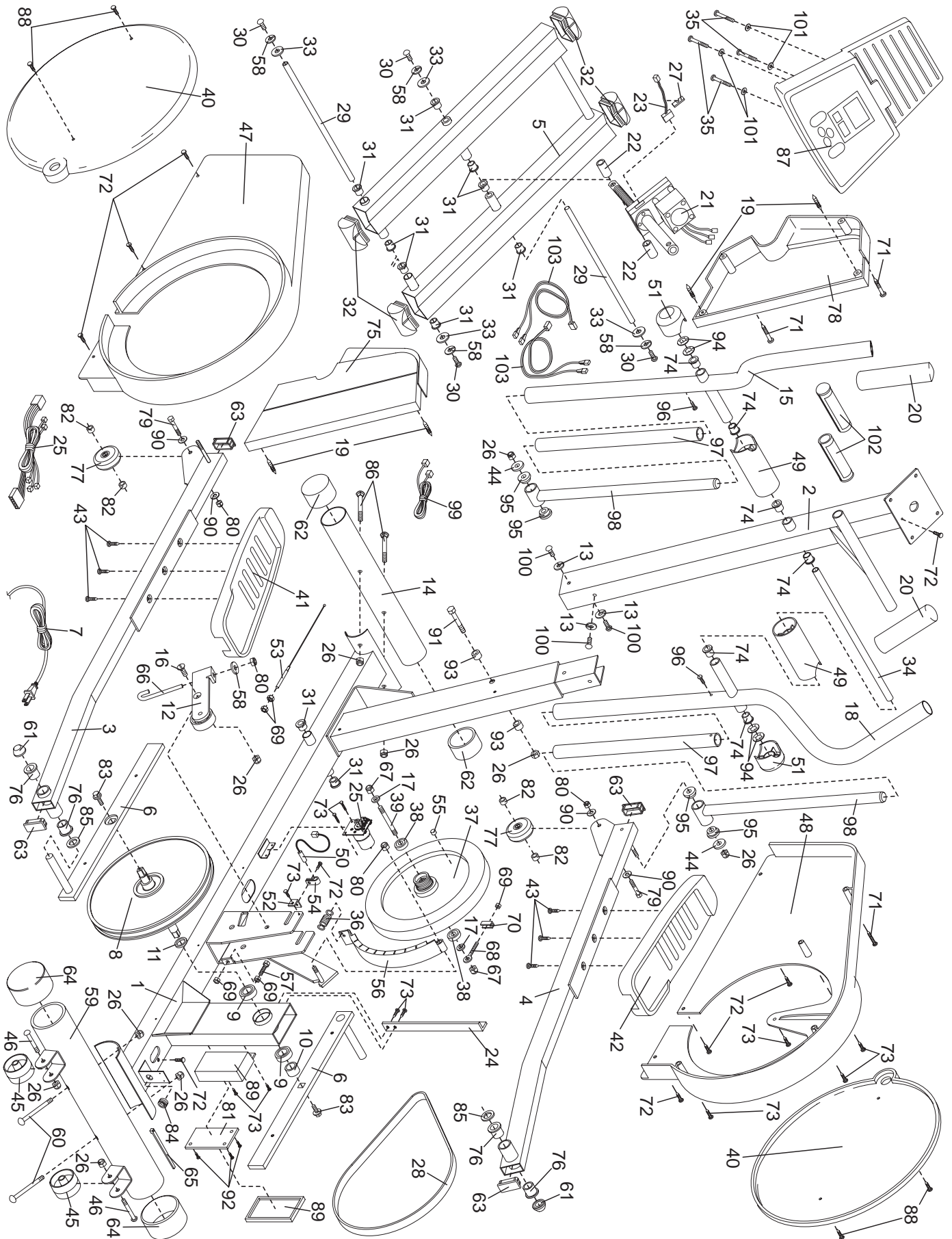
R1200A

Key No.	Qty.	Description	Key No.	Qty.	Description
1	1	Frame	54	1	Reed Switch Clamp
2	1	Upright	55	1	Magnet
3	1	Left Pedal Arm	56	1	“C” Magnet
4	1	Right Pedal Arm	57	1	Stop Bolt
5	1	Incline Ramp	58	5	M8 Split Washer
6	2	Crank Arm	59	1	Rear Stabilizer
7	1	Power Cord	60	2	Rear Stabilizer Bolt
8	1	Large Pulley	61	2	3/4” Axle Cap
9	2	Frame Bearing	62	2	Front Stabilizer Endcap
10	1	Plastic Crank Spacer	63	4	Pedal Arm Cap
11	1	Flat Delrin Washer	64	2	Rear Stabilizer Endcap
12	1	Idler Bracket	65	1	Zip Tie
13	3	M10 Split Washer	66	1	“J” Bolt
14	1	Front Stabilizer	67	2	M10 Jam Nut
15	1	Left Upper Body Arm	68	1	Eyebolt
16	1	Idler Arm Screw	69	5	M6 Nut
17	2	M8.5 Flat Washer	70	1	Adjustment Bracket
18	1	Right Upper Body Arm	71	3	M4 x 63.5mm Screw
19	4	Tree Fastener	72	8	M4 x 16mm Screw
20	2	Foam Grip	73	11	M5 x 16mm Screw
21	1	Incline Motor	74	6	Arm Bushing
22	2	56mm Spacer	75	1	Left Incline Side Shield
23	1	Incline Reed Switch	76	4	Pedal Bushing
24	1	Side Shield Support	77	2	Pedal Wheel
25	1	Motor/Wire Harness	78	1	Right Incline Side Shield
26	10	M10 Nylon Locknut	79	2	Pedal Wheel Bolt
27	1	Reed Switch Lock	80	4	M8 Nylon Locknut
28	1	Belt	81	1	Wiring Board
29	2	Incline Axle	82	4	Wheel Spacer
30	4	Incline Axle Screw	83	2	Flange Bolt
31	10	Incline Bushing	84	1	Grommet
32	4	Incline Ramp Cap	85	2	Plastic Pedal Spacer
33	4	M8 Washer	86	2	Front Stabilizer Bolt
34	1	Arm Axle	87	1	Console
35	4	Console Screw	88	4	M5 x 25mm Screw
36	1	Spring	89	1	Junction Box/Cover
37	1	Flywheel	90	4	M8 Washer, Black
38	2	Flywheel Bearing	91	1	Incline Bolt
39	1	Flywheel Axle	92	3	#8 x 3/8” Screw
40	2	Pedal Disk	93	2	Incline Spacer
41	1	Left Pedal	94	4	Push Nut
42	1	Right Pedal	95	4	Extension Tube Bushing
43	6	Pedal Screw	96	2	M5 x 6mm Screw
44	2	Chrome Tube Washer	97	2	Plastic Arm Sleeve
45	2	Wheel	98	2	Chrome Tube
46	2	Wheel Bolt	99	1	Extension Harness
47	1	Left Side Shield	100	3	M10 x 25mm Screw
48	1	Right Side Shield	101	4	Console Washer
49	2	Axle Cover	102	2	Pulse Grip
50	1	Reed Switch/Wire	103	2	Pulse Wire
51	2	Axle Cap	#	1	Grease
52	1	Reed Switch Bracket	#	2	Allen Wrench
53	1	Resistance Cable	#	1	User’s Manual

Note: # indicates a non-illustrated part. Specifications are subject to change without notice.

EXPLODED DRAWING—Model No. RBEL12900

R1200A



HOW TO ORDER REPLACEMENT PARTS

To order replacement parts, simply call our Customer Service Department toll-free at 1-800-999-3756, Monday through Friday, 6 a.m. until 6 p.m. Mountain Time (excluding holidays). To help us assist you, please be prepared to give the following information when calling:

- The MODEL NUMBER of the product (RBEL12900)
- The NAME of the product (Reebok® REL8 elliptical crosstrainer)
- The SERIAL NUMBER of the product (see the front cover of this manual)
- The KEY NUMBER and DESCRIPTION of the part(s) (see page 22 of this manual).

LIMITED WARRANTY

ICON Health & Fitness, Inc. (ICON), warrants this product to be free from defects in workmanship and material, under normal use and service conditions, for a period of ninety (90) days from the date of purchase. This warranty extends only to the original purchaser. ICON's obligation under this warranty is limited to replacing or repairing, at ICON's option, the product at one of its authorized service centers. All products for which warranty claim is made must be received by ICON at one of its authorized service centers with all freight and other transportation charges prepaid, accompanied by sufficient proof of purchase. All returns must be pre-authorized by ICON. This warranty does not extend to any product or damage to a product caused by or attributable to freight damage, abuse, misuse, improper or abnormal usage or repairs not provided by an ICON authorized service center, to products used for commercial or rental purposes, or to products used as store display models. No other warranty beyond that specifically set forth above is authorized by ICON.

ICON is not responsible or liable for indirect, special or consequential damages arising out of or in connection with the use or performance of the product or damages with respect to any economic loss, loss of property, loss of revenues or profits, loss of enjoyment or use, costs of removal, installation or other consequential damages of whatsoever nature. Some states do not allow the exclusion or limitation of incidental or consequential damages. Accordingly, the above limitation may not apply to you.

The warranty extended hereunder is in lieu of any and all other warranties and any implied warranties of merchantability or fitness for a particular purpose is limited in its scope and duration to the terms set forth herein. Some states do not allow limitations on how long an implied warranty lasts. Accordingly, the above limitation may not apply to you.

This warranty gives you specific legal rights. You may also have other rights which vary from state to state.

ICON Health & Fitness, Inc. 1500 S. 1000 W., Logan, UT 84321-9813