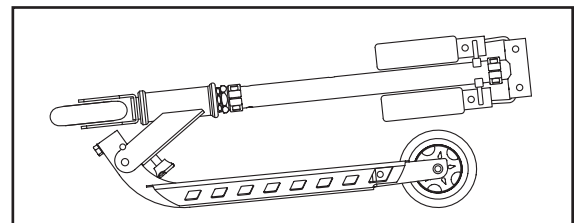
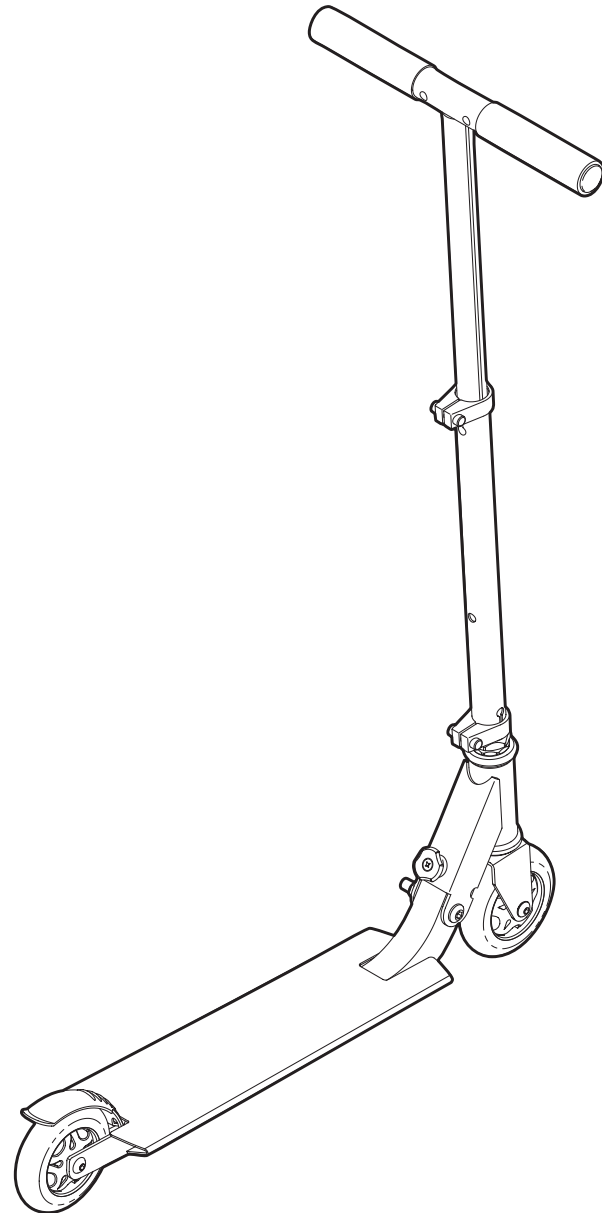


**⚠ WARNING:** To reduce the risk of serious injury, read these warnings before using the scooter.

1. Read and follow all instructions.
2. It is the owner's responsibility to ensure that all users of the scooter are adequately informed of all warnings and instructions.
3. Inspect the scooter and tighten or replace any loose or missing parts before each use. In addition, make sure that the handles and the stem are securely locked in position, the wheels rotate freely, the brake is in working order and free of all debris, and the wheel bolts are secure.
4. The scooter should not be used by children under the age of eight. A responsible adult must always supervise young riders.
5. Always wear protective equipment, including a helmet, knee pads, wrist guards, elbow pads, and closed-toed shoes, when using the scooter.
6. Never ride on streets, roadways, or driveways that enter vehicle traffic routes. Never ride on wet or uneven surfaces, at night, or when visibility is poor.
7. Never tow a rider with a bicycle, motorcycle, or vehicle.
8. Locate the warning decals on the scooter, and read the warnings before using the scooter.
9. Save this User's Manual for future reference.
10. This scooter should not be used by persons weighing more than 200 pounds.
11. Braking from high speeds or prolonged braking on inclines can cause excessive wear of the rear wheel and brake. Exercise caution when selecting your area of use.
12. To prevent burns, avoid touching the brake after prolonged use.



## User's Manual



## Setup

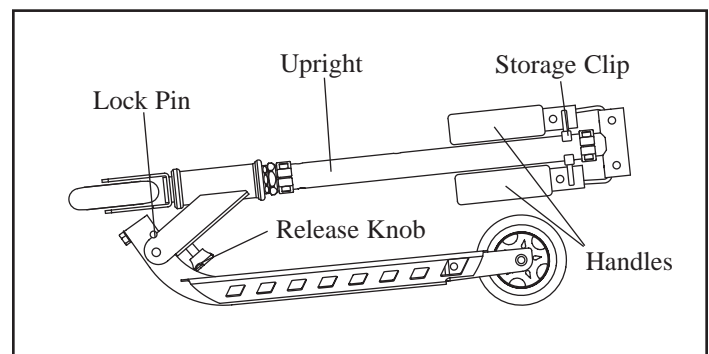
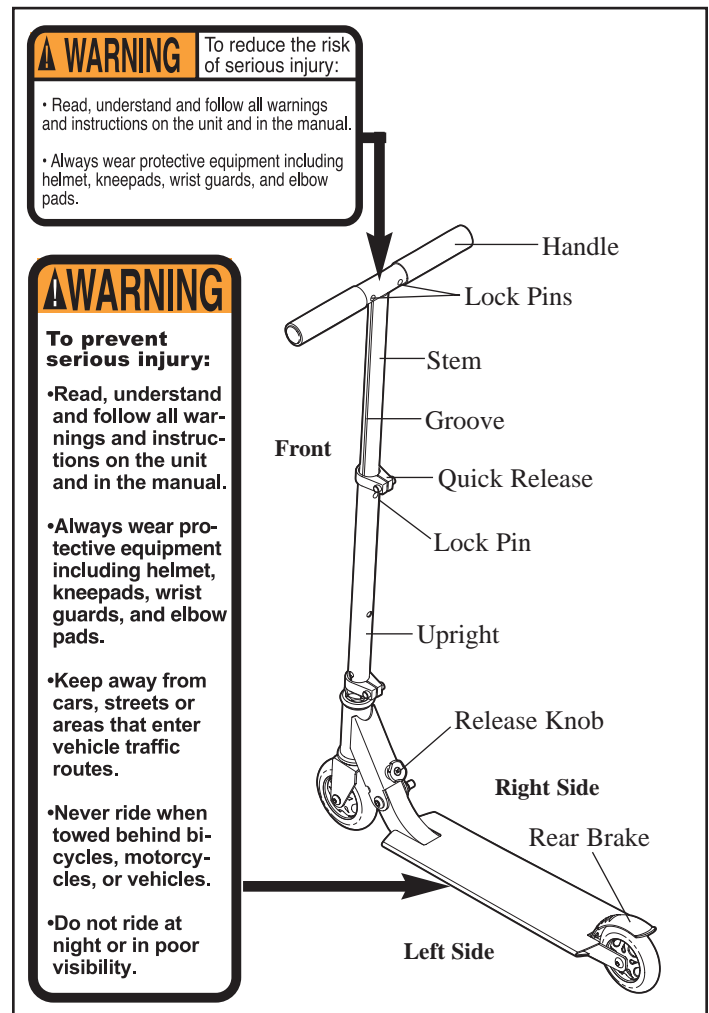
1. Depress the lock pin on the left side of the deck (see the drawing below). Pivot the upright up until it locks into a nearly vertical position. Turn the release knob clockwise until it is tight.
2. Insert the handles into the stem until the lock pins are visible in the holes in the stem.
3. Open the quick-release lever. Depress the lock pin on the stem, and slide the stem up until the lock pin is visible in the top hole. Close the quick-release lever so that it is snug against the upright. If the quick release is not snug, see **ADJUSTING THE QUICK RELEASE** on the back of this user's manual.

Before using the scooter, make sure that the scooter is set up as described and that all parts are securely tightened.

The decal shown at the right has been placed on the scooter. If the decal is missing, or if it is not legible, please call our Customer Service Department toll-free at 1-800-999-3756, Monday through Friday, 6 a.m. until 6 p.m. Mountain Time, to order a free replacement decal. Apply the replacement decal in the location shown.

## Storage

1. Open the quick-release lever. Depress the lock pin on the stem and slide the stem into the upright. Close the quick-release lever.
2. Depress the lock pins and remove the handles from the stem. Press the handles into the storage clip on the upright.
3. Turn the release knob counterclockwise until you can pull it out, and pivot the upright down past the lock pin into the horizontal position.

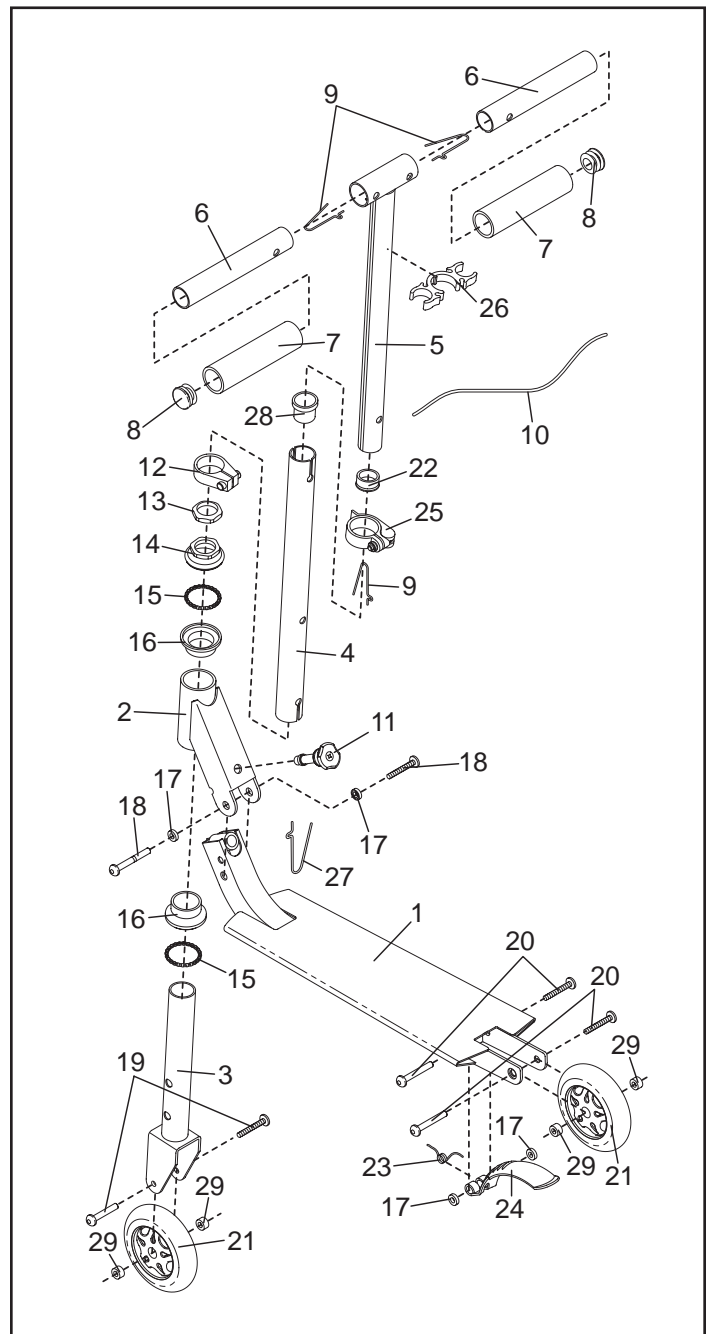


No.Qty. Description

1	1	Deck
2	1	Head Tube
3	1	Fork
4	1	Upright
5	1	Stem
6	2	Handle
7	2	Foam Pad
8	2	Handle Cap
9	3	Lock Pin
10	1	Handle Cord
11	1	Release Knob
12	1	Upright Clamp
13	1	Bearing Nut
14	1	Bearing Cap
15	2	Bearing
16	2	Bearing Race
17	4	Bushing
18	1	Pivot Union Bolt Set
19	1	Front Union Bolt Set
20	2	Rear Union Bolt Set
21	2	Wheel
22	1	Endcap
23	1	Brake Spring
24	1	Brake
25	1	Quick Release
26	1	Storage Clip
27	1	Deck Lock Pin
28	1	Upright Bushing
29	4	Wheel Bearing
*	1	User's Manual

\*The user's manual is not shown

Note: Specifications are subject to change without notice.



Ordering Replacement Parts

To order replacement parts, call toll-free 1-800-999-3756, Monday through Friday, 6 a.m. until 6 p.m. Mountain Time (excluding holidays). When ordering parts, please mention the model number (TBSC03900) and the number and description of the parts needed.

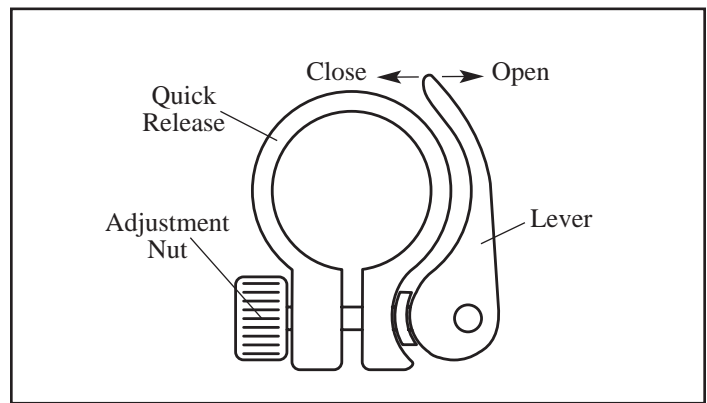
## Adjusting The Quick Release

If the quick release doesn't hold the stem snug in place, you will need to adjust it.

Open the quick-release lever. Turn the adjustment nut clockwise one half turn while keeping the lever from turning. Close the lever. Repeat this procedure until the stem is held snug in place.

If the quick release is too snug to close, you will need to adjust it.

While the quick-release lever is open, turn the adjustment nut counterclockwise one quarter turn while keeping the lever from turning. Close the lever. Repeat this procedure until the stem is held snug in place and the quick release is closed.



## Brake Maintenance

Road debris and abraded material from the rear wheel may accumulate under the brake. Clean the underside of the brake periodically to ensure maximum braking capability.

**The rear brake is capable of reaching high temperatures. Exercise caution when handling the scooter after extended periods of braking or after braking on steep inclines.**

