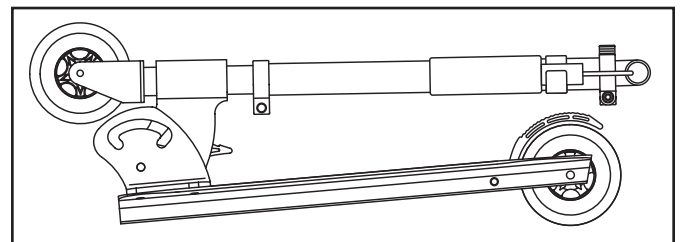
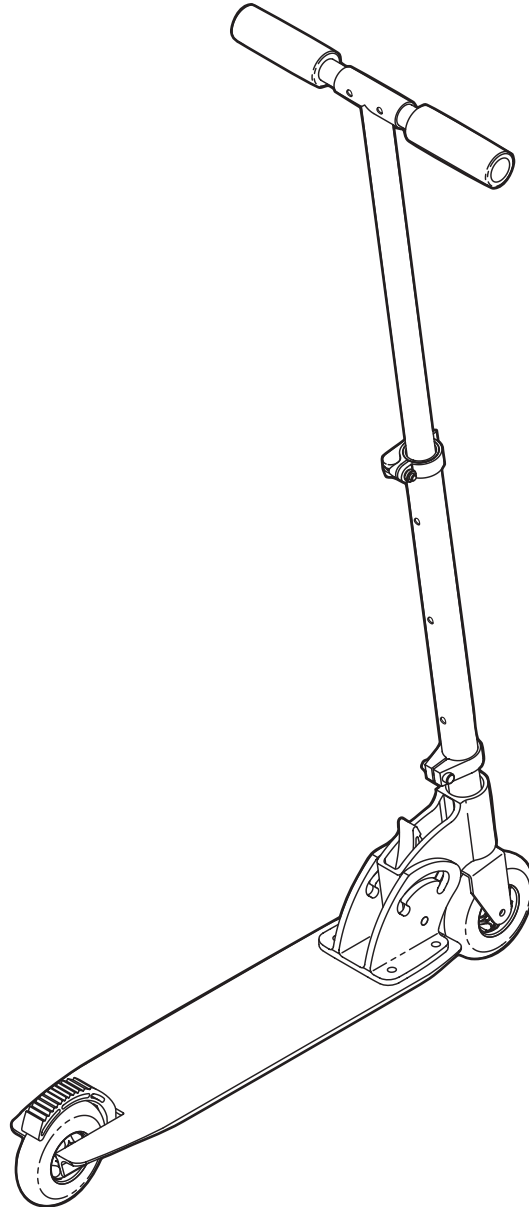


! WARNING: To reduce the risk of serious injury, read these warnings before using the scooter.

1. Read and follow all instructions.
2. It is the owner's responsibility to ensure that all users of the scooter are adequately informed of all warnings and instructions.
3. Inspect the scooter and tighten or replace any loose or missing parts before each use. In addition, make sure that the handles and the stem are securely locked in position, the wheels rotate freely, the brake is in working order and free of all debris, and the wheel bolts are secure.
4. The scooter should not be used by children under the age of eight. A responsible adult must always supervise young riders.
5. Always wear protective equipment, including a helmet, knee pads, wrist guards, elbow pads, and closed-toed shoes, when using the scooter.
6. Never ride on streets, roadways, or driveways that enter vehicle traffic routes. Never ride on wet or uneven surfaces, at night, or when visibility is poor.
7. Never tow a rider with a bicycle, motorcycle, or vehicle.
8. Locate the warning decals on the scooter, and read the warnings before using the scooter.
9. Save this User's Manual for future reference.
10. This scooter should not be used by persons weighing more than 200 pounds.
11. Braking from high speeds or prolonged braking on inclines can cause excessive wear of the rear wheel and brake. Exercise caution when selecting your area of use.
12. To prevent burns, avoid touching the brake after prolonged use.

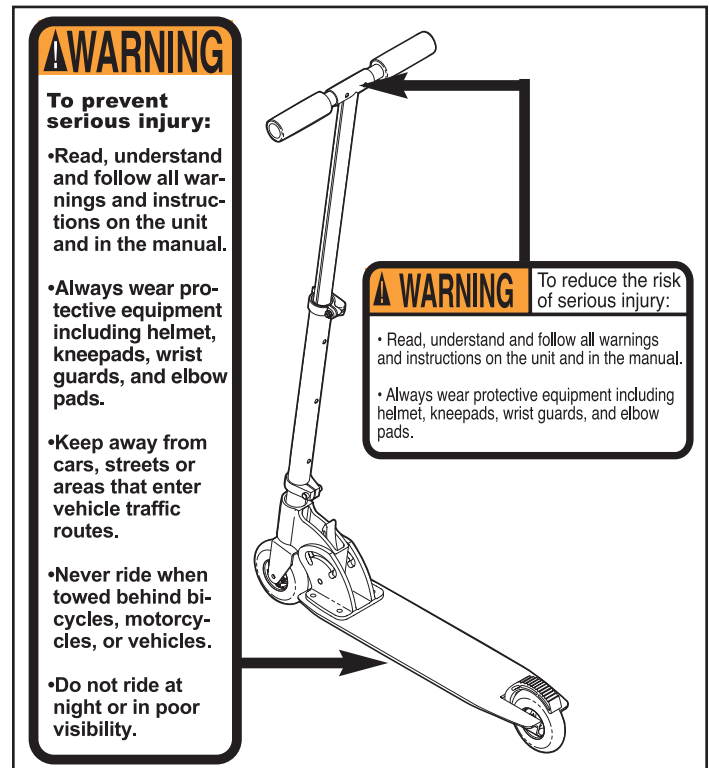


User's Manual



Warning Decal Placement

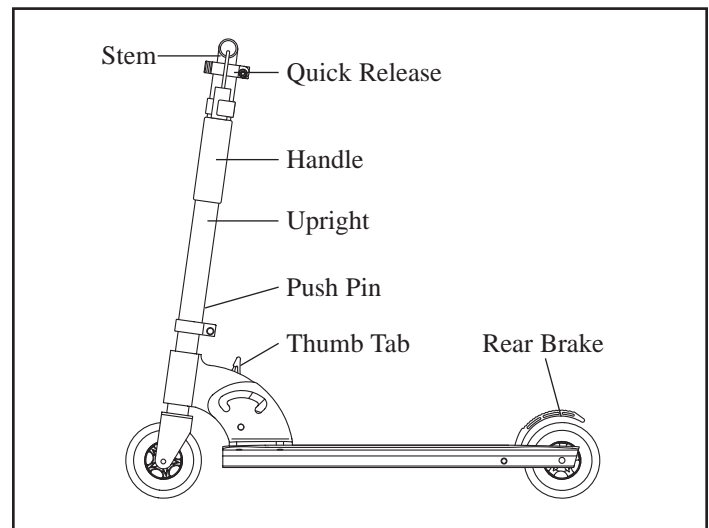
The decals shown at the right have been placed on the scooter. If a decal is missing or illegible, please call our Customer Service Department toll-free at 1-800-999-3756, Monday through Friday, 6 a.m. until 6 p.m. Mountain Time, to order a free replacement decal. Apply the replacement decal in the location shown.



Setup

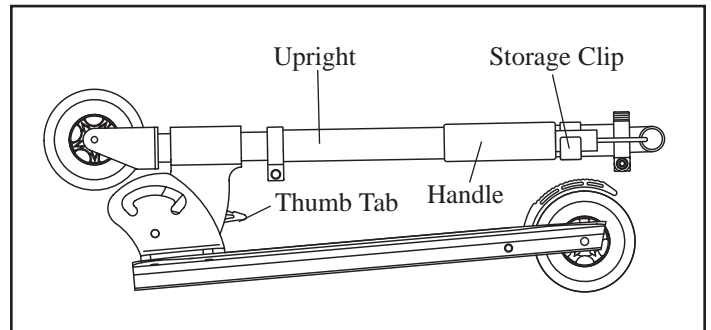
Before using the scooter, make sure that the scooter is set up as described and that all parts are securely tightened.

1. Firmly press the thumb tab and pivot the upright up until it locks in a nearly vertical position.
2. Insert the handles into the stem until the lock pins are visible in the holes in the stem.
3. Open the quick-release lever. Depress the push pin on the stem, and slide the stem up until the push pin is visible in one of the holes in the upright. With the stem at the desired height, close the quick-release lever so that it is snug against the upright. If the quick release is not snug, see **ADJUSTING THE QUICK RELEASE** on the next page.



Storage

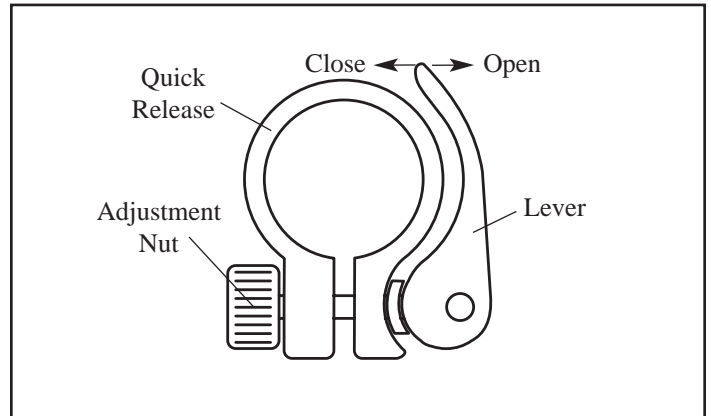
1. Open the quick-release lever. Depress the lock pin on the stem and slide the stem down into the upright. Close the quick-release lever.
2. Depress the lock pins and remove the handles from the stem. Press the handles into the storage clip on the upright.
3. Pull the thumb tab and pivot the upright down until it locks in the horizontal position.



Adjusting The Quick Release

If the quick release doesn't hold the stem snug in place, you will need to adjust it. Open the quick-release lever. Turn the adjustment nut clockwise one half turn while keeping the lever from turning. Close the lever. Repeat this procedure until the stem is held snug in place.

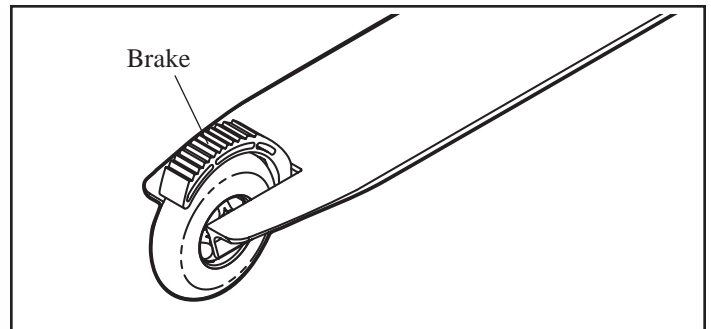
If the quick-release is too snug to close, it will need to be adjusted. While the quick-release lever is open, turn the adjustment nut counterclockwise one quarter turn while keeping the lever from turning. Close the lever. Repeat this procedure until the stem is held snug in place and the quick release is closed.



Brake Maintenance

Road debris and abraded material from the rear wheel may accumulate under the brake. Clean the underside of the brake periodically to ensure maximum braking capability.

The rear brake is capable of reaching high temperatures. Exercise caution when handling the scooter after extended periods of braking or after braking on steep inclines.

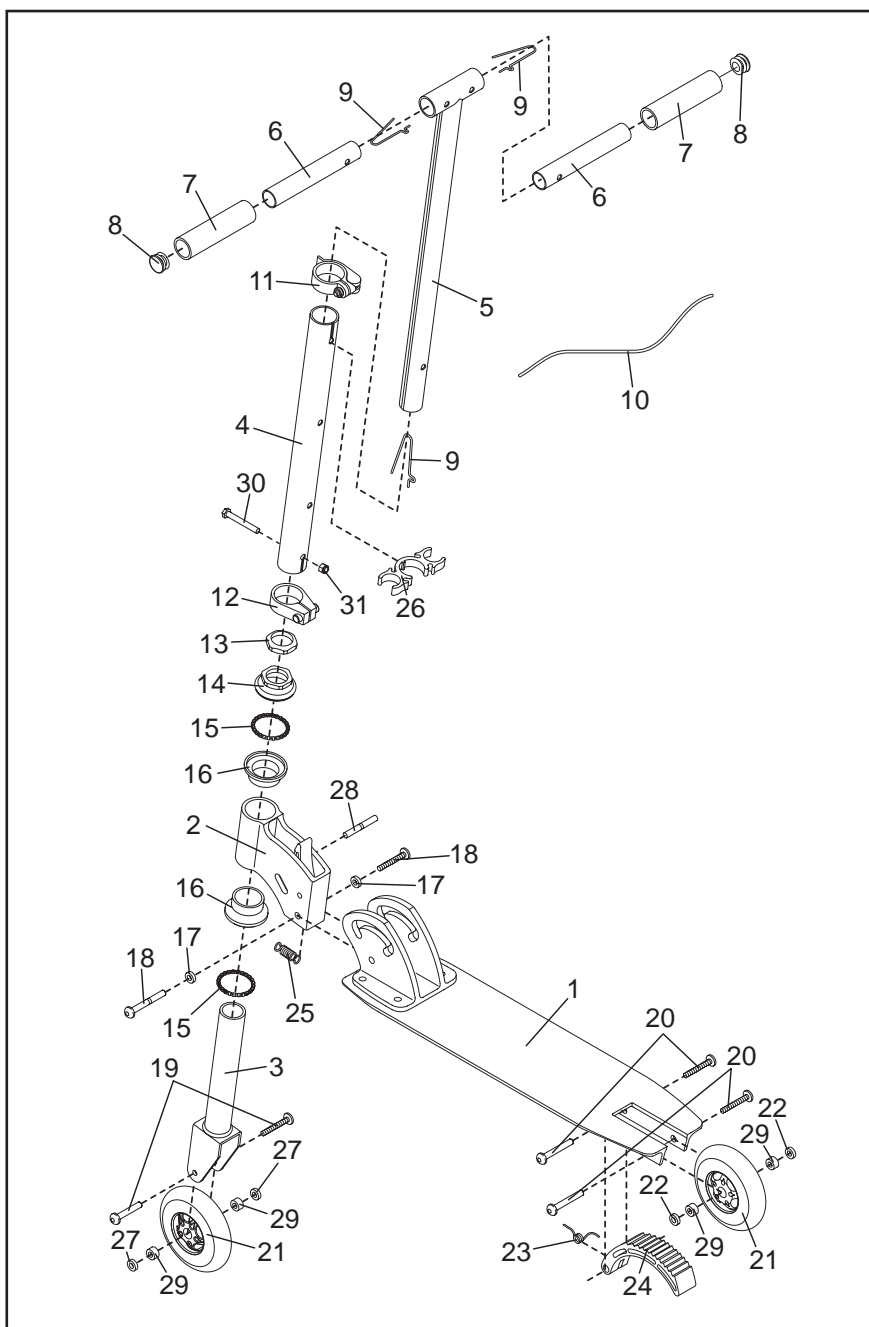


No.Qty. Description

- 1 1 Deck
- 2 1 Head Tube
- 3 1 Fork
- 4 1 Upright
- 5 1 Stem
- 6 2 Handle
- 7 2 Foam Pad
- 8 2 Handle Cap
- 9 3 Lock Pin
- 10 1 Handle Cord
- 11 1 Quick Release
- 12 1 Upright Clamp
- 13 1 Bearing Nut
- 14 1 Bearing Cap
- 15 2 Bearing
- 16 2 Bearing Race
- 17 2 Bushing
- 18 1 Pivot Union Bolt Set
- 19 1 Front Union Bolt Set
- 20 2 Rear Union Bolt Set
- 21 2 Wheel
- 22 2 Rear Wheel Spacer
- 23 1 Brake Spring
- 24 1 Brake
- 25 1 Head Tube Spring
- 26 1 Storage Clip
- 27 2 Front Wheel Spacer
- 28 1 Lock Pin
- 29 4 Wheel Bearing
- 30 1 Upright Bolt
- 31 1 Upright Nut
- * 1 User's Manual

*The user's manual is not shown

Note: Specifications are subject to change without notice.



Ordering Replacement Parts

To order replacement parts, call toll-free 1-800-999-3756, Monday through Friday, 6 a.m. until 6 p.m. Mountain Time (excluding holidays). When ordering parts, please mention the model number (TBSC05701) and the number and description of the parts needed.