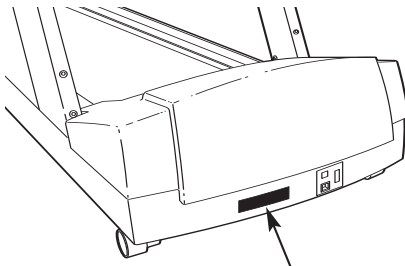


FREEMOTION® 3500 XLS treadmill

Model No. VFMTL1206.0

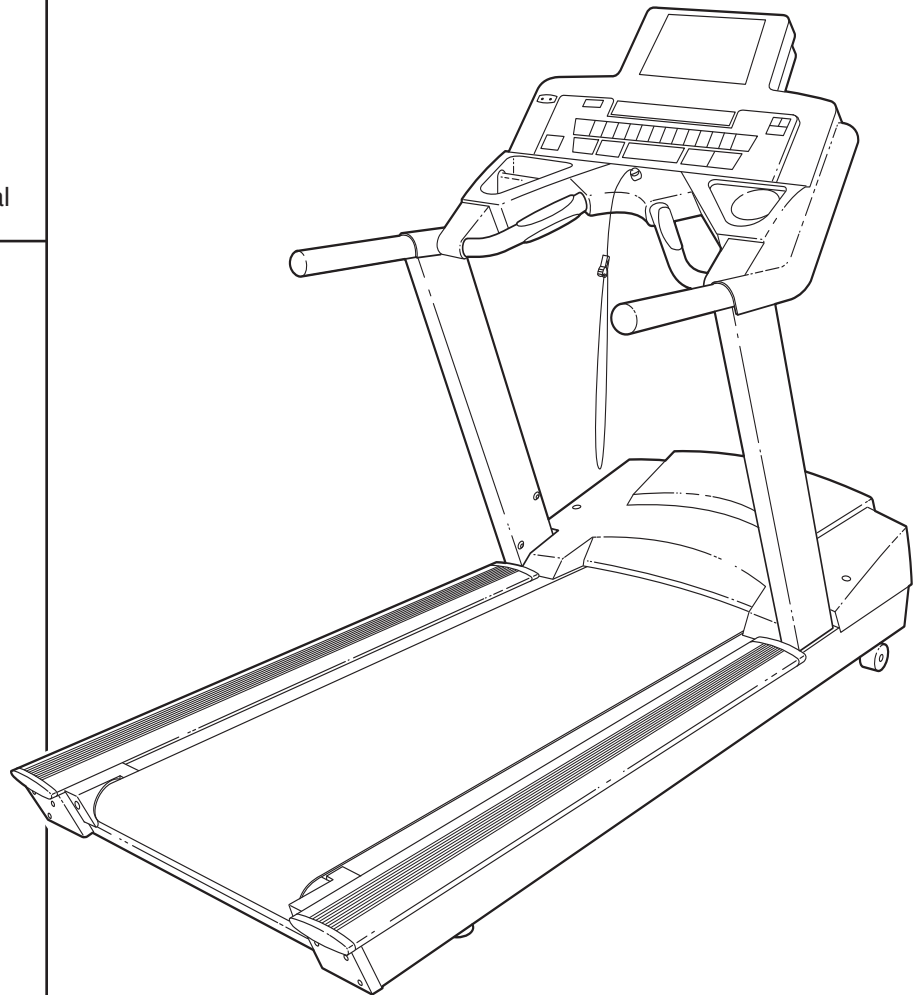
Serial No. _____

The serial number is found in the location shown below. Write the serial number in the space above.



Serial Number Decal

At FreeMotion Fitness, we're committed to providing complete customer satisfaction. If you have questions, see HOW TO CONTACT CUSTOMER CARE on the back cover of this manual.



CAUTION

Read all precautions and instructions in this manual before using this equipment. Keep this manual for future reference.

USER'S MANUAL



FREEMOTION® 3500 XLS treadmill

TABLE OF CONTENTS

IMPORTANT PRECAUTIONS3
BEFORE YOU BEGIN6
ASSEMBLY7
HOW TO USE THE CHEST PULSE SENSOR10
TREADMILL OPERATION11
TROUBLESHOOTING25
SIX-MONTH PREVENTIVE MAINTENANCE RECORD29
EXERCISE GUIDELINES30
PART LIST32
EXPLODED DRAWING34

IMPORTANT PRECAUTIONS

⚠ WARNING: To reduce the risk of burns, fire, electric shock, or injury to persons, read the following important precautions and information before operating the treadmill.

1. It is the responsibility of the owner to ensure that all users of the treadmill are adequately informed of all warnings and precautions.
2. Use the treadmill only as described.
3. Place the treadmill on a level surface, with at least eight feet of clearance behind it and two feet on each side. Do not place the treadmill on any surface that blocks air openings. To protect the floor or carpet from damage, place a mat under the treadmill.
4. Keep the treadmill indoors, away from moisture and dust. Do not place the treadmill in a garage or covered patio, or near water.
5. Do not operate the treadmill where aerosol products are used or where oxygen is being administered.
6. Do not operate the treadmill until it is properly assembled (see ASSEMBLY on page 7).
7. Inspect and properly tighten all parts of the treadmill regularly.
8. Keep children under the age of 12 and pets away from the treadmill at all times.
9. The treadmill should not be used by persons weighing more than 350 pounds. Do not allow more than one person on the treadmill at a time.
10. When connecting the power cord (see page 9), plug the power cord into a surge suppressor (not included) and plug the surge suppressor into a grounded circuit capable of carrying 15 or more amps. No other appliance should be on the same circuit. Do not use an extension cord.
11. Use only a single-outlet surge suppressor that meets all of the specifications described on page 9. To purchase a surge suppressor, call the toll-free Customer Care telephone number on the back cover of this manual and order part number 146148, or see your local electronics store.
12. Failure to use a properly functioning surge suppressor could result in damage to the control system of the treadmill. If the control system is damaged, the walking belt may change speed, accelerate, or stop unexpectedly, which may result in a fall and serious injury.
13. Keep the power cord and the surge suppressor away from heated surfaces.
14. Never move the walking belt while the power is turned off. Do not operate the treadmill if the power cord or plug is damaged or if the treadmill is not working properly. (See TROUBLESHOOTING on page 25 if the treadmill is not working properly.)
15. Read, understand, and test the emergency stop procedure before using the treadmill (see step 3 on page 13).
16. Never start the treadmill while you are standing on the walking belt. Always hold the handrails while using the treadmill.
17. The treadmill is capable of high speeds. Adjust the speed in small increments to avoid sudden jumps in speed.
18. The pulse sensors are not medical devices. Various factors, including the user's movement, may affect the accuracy of heart rate readings. The pulse sensors are intended only as an exercise aid in determining heart rate trends in general.
19. Never leave the treadmill unattended while it is running. Always remove the key, unplug the power cord, and move the on/off switch to the "off" position when the treadmill is not in use.
20. Do not change the incline of the treadmill by placing objects under it.

21. Never insert or drop any object into any opening.

22. Make sure to perform all maintenance procedures outlined in this manual. Failure to do so will void the warranty and may result in damage to the treadmill.

23. **DANGER:** Always unplug the power cord immediately after use, before cleaning the treadmill, and before performing the maintenance and adjustment procedures described in this manual. Servicing other than the procedures in this manual should be performed by an authorized service representative only.

24. The treadmill is intended for in-home use only. Do not use the treadmill in a commercial, rental, or institutional setting.

25. If an outside antenna or cable system is connected, make sure that the antenna or cable system is grounded to provide some protection against voltage surges and built-up static charges. Section 810 of the National Electrical Code, ANSI/NFPA No. 70-1984, provides information with respect to proper grounding of the mast and supporting structure, grounding of the lead-in wire to an antenna discharge unit, size of grounding conductors, location of antenna discharge unit, connection to grounding electrodes, and requirements for the grounding electrode.

26. An outside antenna system should not be located in the vicinity of overhead power lines or other electric light or power circuits, or where it can fall into such power lines or circuits. When installing an outside antenna sys-

tem, extreme care should be taken to keep from touching such power lines or circuits, as contact with them might be fatal.

27. To reduce the risk of electric shock, do not remove the cover or the back of the television. There are no user serviceable parts inside. Refer servicing to qualified service personnel.

28. Upon completion of any service or repairs to the treadmill or the television, ask the service technician to perform safety checks to confirm that the unit is in proper operating condition.

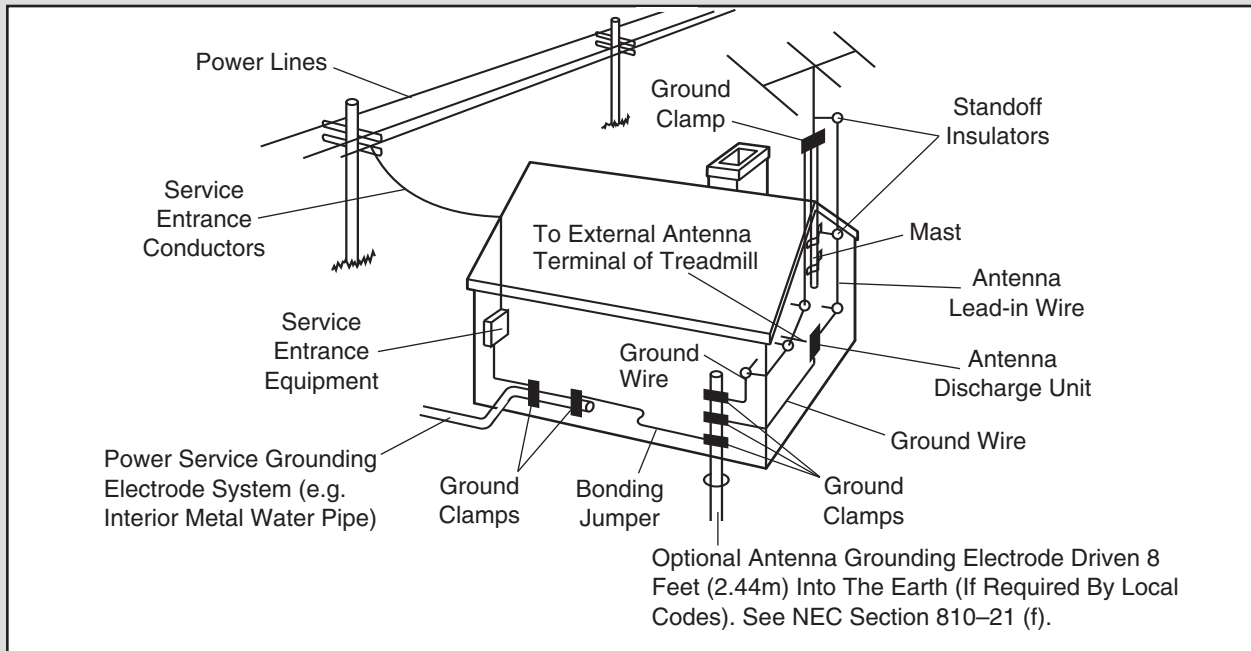
- Use No. 10 AWG (5.3mm²) copper, No. 8 AWG (8.4mm²) aluminum, No. 17 AWG (1.0mm²) copper-clad steel or bronze wire, or larger as a ground wire.

- Secure an antenna lead-in and ground wires to the house with stand-off insulators spaced from 4 to 6 feet (1.22 to 1.83m) apart.

- Mount an antenna discharge unit as close as possible to where the lead-in enters the house.

- Use a jumper wire not smaller than No. 6 AWG (13.3mm²) copper, or the equivalent when a separate antenna-grounding electrode is used. See NEC Section 810-21 (j).

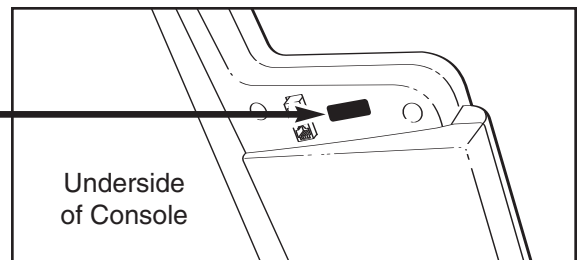
Note to CATV system installer: This reminder is provided to call the CATV system installer's attention to Article 820-40 of the NEC that provides guidelines for proper grounding and, in particular, specifies that the cable ground shall be connected to the grounding system of the building, as close to the point of cable entry as practical.



⚠ WARNING: Before beginning this or any exercise program, consult your physician. This is especially important for persons over the age of 35 or persons with pre-existing health problems. Read all instructions before using. ICON assumes no responsibility for personal injury or property damage sustained by or through the use of this product.

SAVE THESE INSTRUCTIONS

The decal shown below is found on the treadmill in the indicated location. If the decal is missing or illegible, call the toll-free Customer Care telephone number on the back cover of this manual and order a free replacement decal. Apply the decal in the location shown.



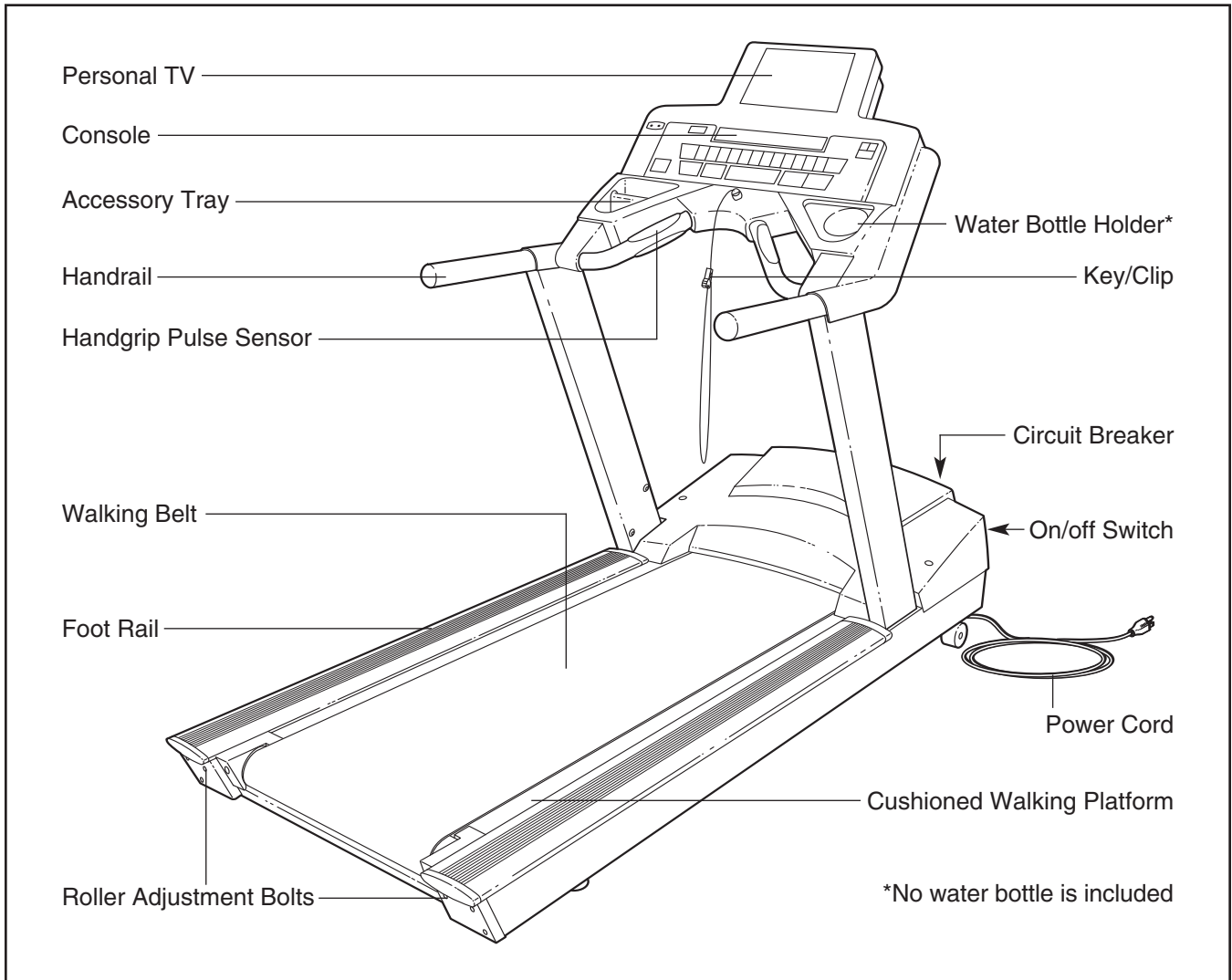
BEFORE YOU BEGIN

Congratulations for selecting the revolutionary FREEMOTION® 3500 XLS treadmill. The 3500 XLS treadmill offers an impressive array of features designed to help you achieve your fitness goals in the convenience and privacy of your home.

For your benefit, read this manual carefully before using the treadmill. If you have questions after reading this manual, see the front cover of this manual. To

help us assist you, please note the product model number and serial number before contacting us. The model number of the treadmill is VFMTL1206.0. The serial number can be found on a decal attached to the treadmill (see the front cover of this manual for the location of the decal).

Before reading further, please familiarize yourself with the parts that are labeled in the drawing below.



ASSEMBLY

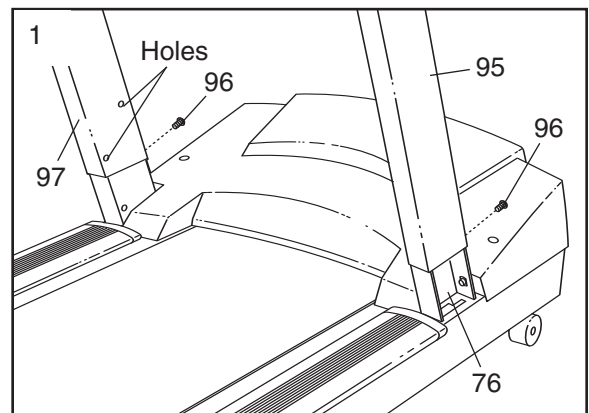
Assembly requires two persons. Set the treadmill in a cleared area and remove all packing materials. Do not dispose of the packing materials until assembly is completed. **Assembly can be completed using the included hex keys.**

Note: The underside of the treadmill walking belt is coated with high-performance lubricant. During shipping, a small amount of lubricant may be transferred to the top of the walking belt or the shipping carton. This is a normal condition and does not affect treadmill performance. If there is lubricant on top of the walking belt, simply wipe off the lubricant with a soft cloth and a mild, non-abrasive cleaner.

1. Slide the Right and Left Uprights (95, 97) onto the brackets near the front of the Frame (76). **Make sure that the Uprights are on the correct sides; the indicated holes must be facing inward.**

Raise the Right Upright (95) until the lower hole in the front of the Right Upright is aligned with the upper hole in the bracket on the Frame (76). Finger tighten an Upright Bolt (96) into the Right Upright and the bracket. **Do not tighten the Upright Bolt yet.**

Repeat this step with the Left Upright (97).



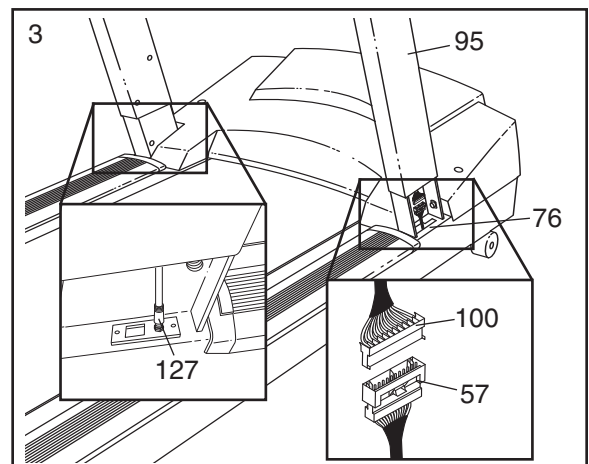
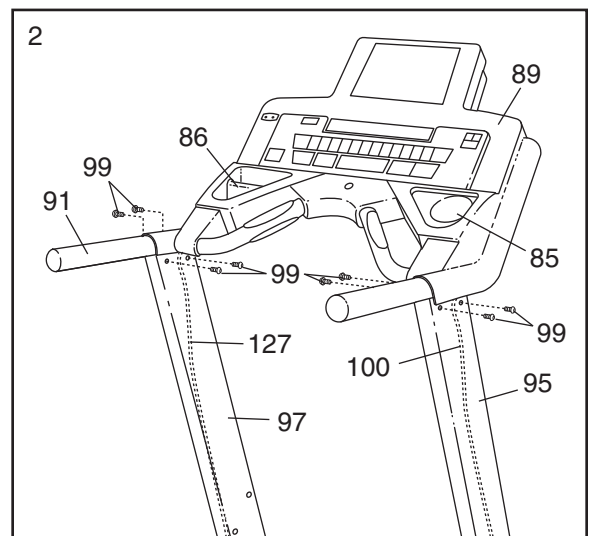
2. While a second person holds the Handrail (91) near the Uprights (95, 97), feed the Upright Wire Harness (100) in the Handrail down into the Right Upright, and feed the TV Cable (127) down into the Left Upright. Next, pull the ends of the Upright Wire Harness and the TV Cable out of the lower ends of the Uprights. If there are wire ties on the ends of the Upright Wire Harness and the TV Cable, remove the wire ties. Then, set the Handrail on the Uprights.

Finger tighten eight Handrail Bolts (99) into the Uprights (95, 97) and the Handrail (91). **Do not tighten the Handrail Bolts yet. Be careful to avoid pinching the Upright Wire Harness (100) and the TV Cable (127).**

Note: The CD Holder (86) and the Cup Holder (85) are replaceable. If these parts become dislodged from the Console Base (89), simply press them back in.

3. Connect the lower end of the TV Cable (127) on the left side of the treadmill as shown.

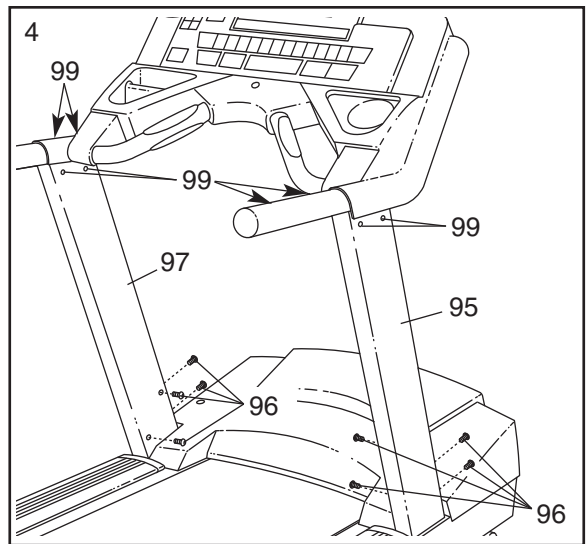
Next, connect the Upright Wire Harness (100) to the Power Wire Harness (57). **The connectors should slide together easily and snap into place. If they do not, turn one connector and try again.** Next, insert the connectors down into the hole in the Frame (76), and push all the excess wire harness up into the Right Upright (95). **Make sure that the Wire Harnesses remain fully connected.**



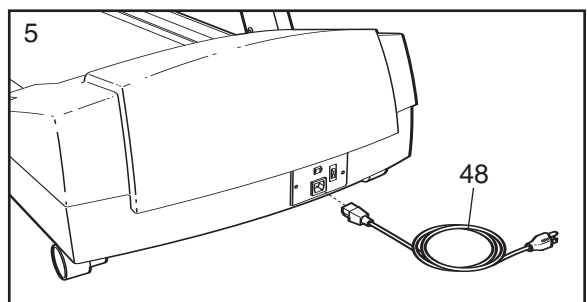
4. **Be careful to avoid pinching your hands, the Wire Harnesses (not shown), or the TV Cable (not shown) during this step.**

While a second person holds the Uprights (95, 97), remove the two Upright Bolts (96) used in step 1. Next, slide the Uprights fully onto the brackets on the Frame (not shown). Attach each Upright with four Upright Bolts (96) as shown. **Firmly tighten all eight Upright Bolts.**

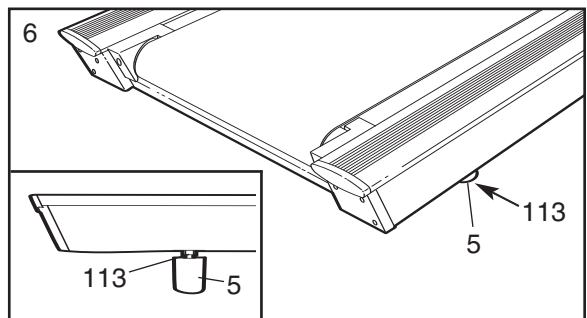
Firmly tighten the eight Handrail Bolts (99).



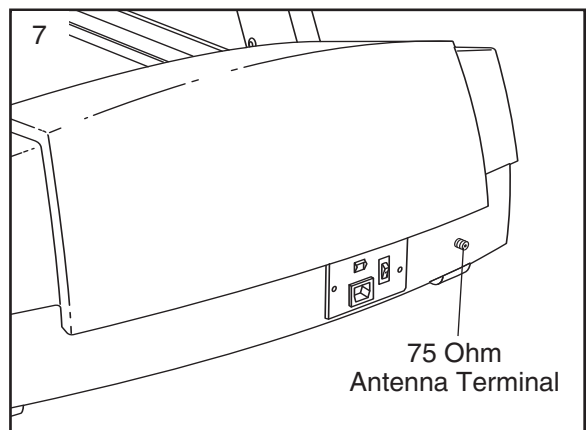
5. Plug the indicated end of the Power Cord (48) fully into the treadmill as shown.



6. After the treadmill is moved to the location where it will be used (see HOW TO MOVE THE TREADMILL on page 28), make sure that both Rear Feet (5) and both Wheels (not shown) rest firmly on your floor. If the treadmill rocks slightly on your floor, loosen the Rear Foot Locknut (113) above the right Rear Foot. Turn the right Rear Foot clockwise or counterclockwise until the rocking motion is eliminated. Then, retighten the Rear Foot Locknut.



7. **Note the location of the 75 ohm antenna terminal on the treadmill. For the television to operate properly, an antenna, a 75 ohm CATV cable, or a VCR must be connected to the 75 ohm antenna terminal (see page 9).**



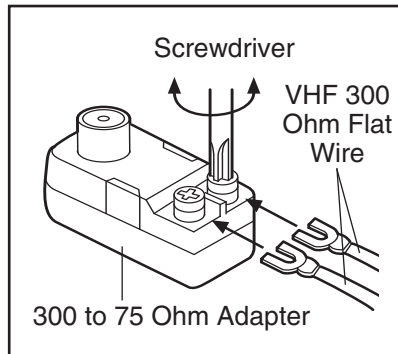
8. **Make sure that all parts are properly tightened before you use the treadmill.** Keep the included hex keys for adjustment purposes. To protect the floor or carpet from damage, place a mat under the treadmill.

Before the personal television can be used, you must connect an antenna, a 75 ohm CATV cable, or a VCR to the 75 ohm antenna terminal on the treadmill frame. Note: No antenna, cable, or adapter is included.

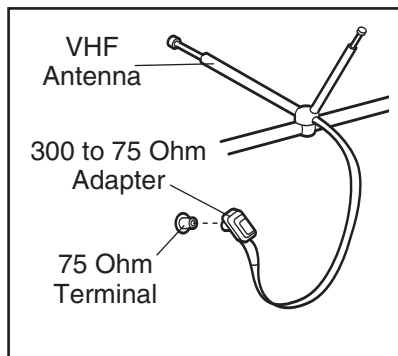
HOW TO CONNECT AN ANTENNA

Indoor Antenna

1. Place a VHF antenna in the desired location. Connect the 300 ohm flat wire from the antenna to a 300 ohm to 75 ohm adapter.

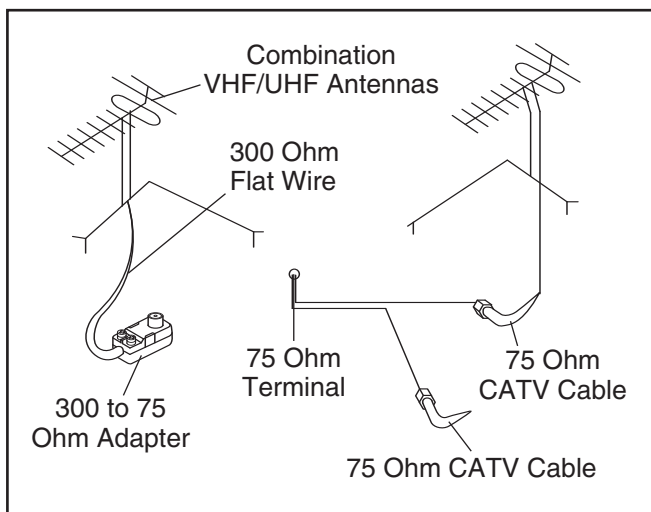


2. Press the 300 ohm to 75 ohm adapter onto the 75 ohm antenna terminal on the treadmill frame near the power cord.



Outdoor Antenna

Note: Outdoor antennas are subject to weathering that can reduce signal quality. Inspect your antenna and the lead-in wiring before connecting the antenna.



300 Ohm Flat Wire

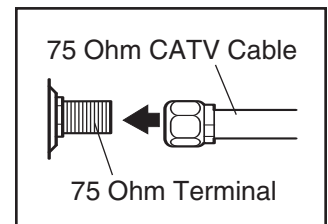
1. See the drawing near the bottom of this page. Connect the 300 ohm flat wire from the antenna to a 300 ohm to 75 ohm adapter.
2. Press the 300 ohm to 75 ohm adapter onto the 75 ohm antenna terminal on the treadmill frame near the power cord.

75 Ohm CATV Cable

1. See the drawing near the bottom of this page. Connect the 75 ohm CATV cable from the antenna to the 75 ohm antenna terminal on the treadmill frame near the power cord.

HOW TO CONNECT A 75 OHM CATV CABLE

1. Connect a 75 ohm CATV cable to the 75 ohm antenna terminal on the treadmill frame near the power cord.



HOW TO CONNECT A VCR

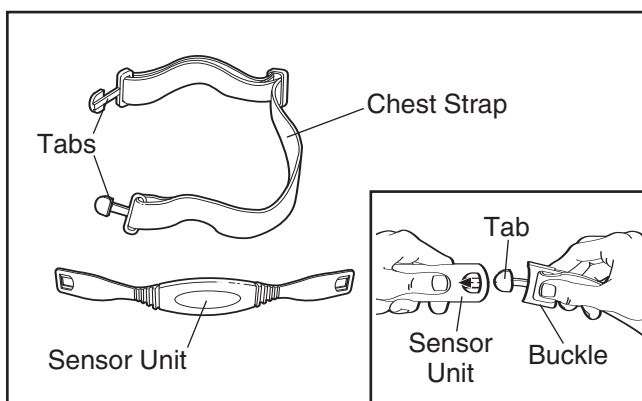
1. Connect one end of a 75 ohm CATV cable to the video output jack on your VCR.
2. Plug in the power cord of your VCR. See your VCR user's manual for proper grounding instructions.
3. Connect the 75 ohm CATV cable to the 75 ohm antenna terminal on the treadmill frame near the power cord.

Note: To operate the television with your VCR, **make sure that channel 3 or 4 is selected.**

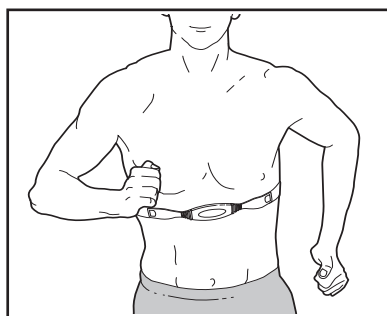
HOW TO USE THE CHEST PULSE SENSOR

HOW TO PUT ON THE CHEST PULSE SENSOR

The chest pulse sensor consists of two components—the chest strap and the sensor unit (see the drawing below). Insert the tab on one end of the chest strap into the hole in one end of the sensor unit, as shown in the inset drawing. The tab should be flush with the front of the sensor unit.



Next, wrap the chest pulse sensor around your chest and attach the other end of the chest strap to the sensor unit. Adjust the length of the chest strap, if necessary. The chest pulse sensor should be under your clothes, tight against your skin, and as high under the pectoral muscles or breasts as is comfortable. Make sure that the logo on the sensor unit is facing forward and is right-side-up.



Pull the sensor unit away from your body a few inches and locate the two electrode areas on the inner side (the electrode areas are covered by shallow ridges). Using saline solution such as saliva or contact lens solution, wet both electrode areas. Return the sensor unit to a position against your chest.

CHEST PULSE SENSOR CARE AND MAINTENANCE

- Thoroughly dry the chest pulse sensor after each use. The chest pulse sensor is activated when the electrode areas are wetted and the heart rate monitor is put on; the chest pulse sensor shuts off when it is removed and the electrode areas are dried. If the chest pulse sensor is not dried after

each use, it may remain activated longer than necessary, draining the battery prematurely.

- Store the chest pulse sensor in a warm, dry place. Do not store the chest pulse sensor in a plastic bag or other container that may trap moisture.
- Do not expose the chest pulse sensor to direct sunlight for extended periods of time; do not expose it to temperatures above 122° Fahrenheit (50° Celsius) or below 14° Fahrenheit (-10° Celsius).
- Do not excessively bend or stretch the sensor unit when using or storing the chest pulse sensor.
- Clean the sensor unit using a damp cloth—never use alcohol, abrasives, or chemicals. The chest strap may be hand washed and air dried.

CHEST PULSE SENSOR TROUBLESHOOTING

The instructions on the following pages explain how the chest pulse sensor is used with the console. If the chest pulse sensor does not function properly, try the steps below.

- Make sure that you are wearing the chest pulse sensor as described at the left. Note: If the chest pulse sensor does not function when positioned as described, move it slightly lower or higher on your chest.
- Use saline solution such as saliva or contact lens solution to wet the two electrode areas on the sensor unit. If heart rate readings do not appear until you begin perspiring, re-wet the electrode areas.
- As you walk or run on the treadmill, position yourself near the center of the walking belt. **For the console to display heart rate readings, the user must be within arm's length of the console.**
- The chest pulse sensor is designed to work with people who have normal heart rhythms. Heart rate reading problems may be caused by medical conditions such as premature ventricular contractions (pvc's), tachycardia bursts, and arrhythmia.
- The operation of the chest pulse sensor can be affected by magnetic interference caused by high power lines or other sources. If it is suspected that this is a problem, try relocating the treadmill.
- The CR2032 battery in the chest pulse sensor may need to be replaced (see page 26).

TREADMILL OPERATION

THE PRE-LUBRICATED WALKING BELT

Your treadmill features a walking belt coated with high-performance lubricant. **IMPORTANT: Never apply silicone spray or other substances to the walking belt or the walking platform. Such substances will deteriorate the walking belt and cause excessive wear.**

HOW TO PLUG IN THE POWER CORD

⚠ DANGER: Improper connection of the equipment-grounding conductor can result in an increased risk of electric shock. Check with a qualified electrician or serviceman if you are in doubt as to whether the product is properly grounded. Do not modify the plug provided with the product—if it will not fit the outlet, have a proper outlet installed by a qualified electrician.

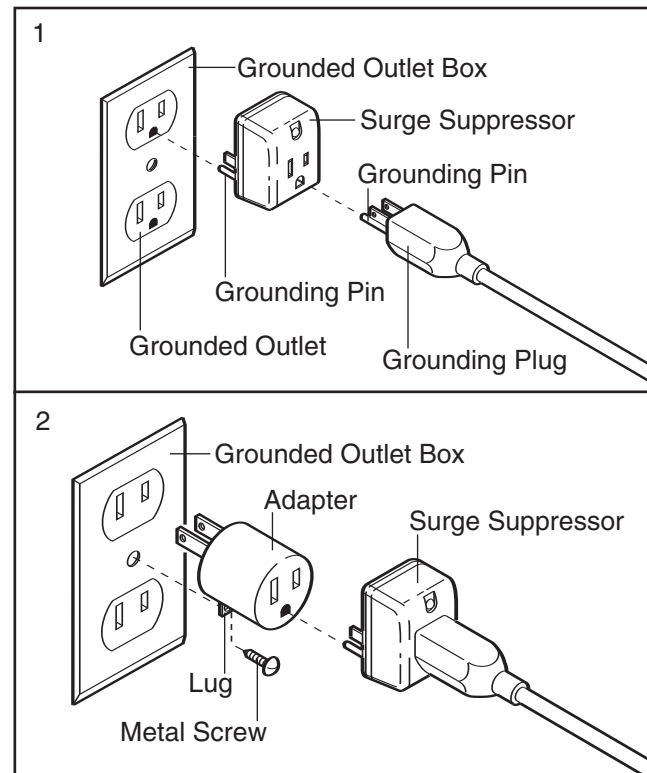
Your treadmill, like any other type of sophisticated electronic equipment, can be seriously damaged by sudden voltage changes in your home's power. Voltage surges, spikes, and noise interference can result from weather conditions or from other appliances being turned on or off. **To decrease the possibility of your treadmill being damaged, always use a surge suppressor with your treadmill (see drawing 1 at the right).** To purchase a surge suppressor, call the toll-free Customer Care telephone number on the back cover of this manual and order part number 146148, or see your local electronics store.

Use only a single-outlet surge suppressor that is UL 1449 listed as a transient voltage surge suppressor (TVSS). The surge suppressor must have a UL suppressed voltage rating of 400 volts or less and a minimum surge dissipation of 450 joules. The surge suppressor must be electrically rated for 120 volts AC and 15 amps. There must be a monitoring light on the surge suppressor to indicate whether it is functioning properly. Failure to use a properly functioning surge suppressor could result in damage to the control system of the treadmill. If the control system is damaged, the walking belt may change speed, accelerate, or stop unexpectedly, which may result in a fall and serious injury.

This product must be grounded. If it should malfunction or break down, grounding provides a path of least resistance for electric current to reduce the risk of elec-

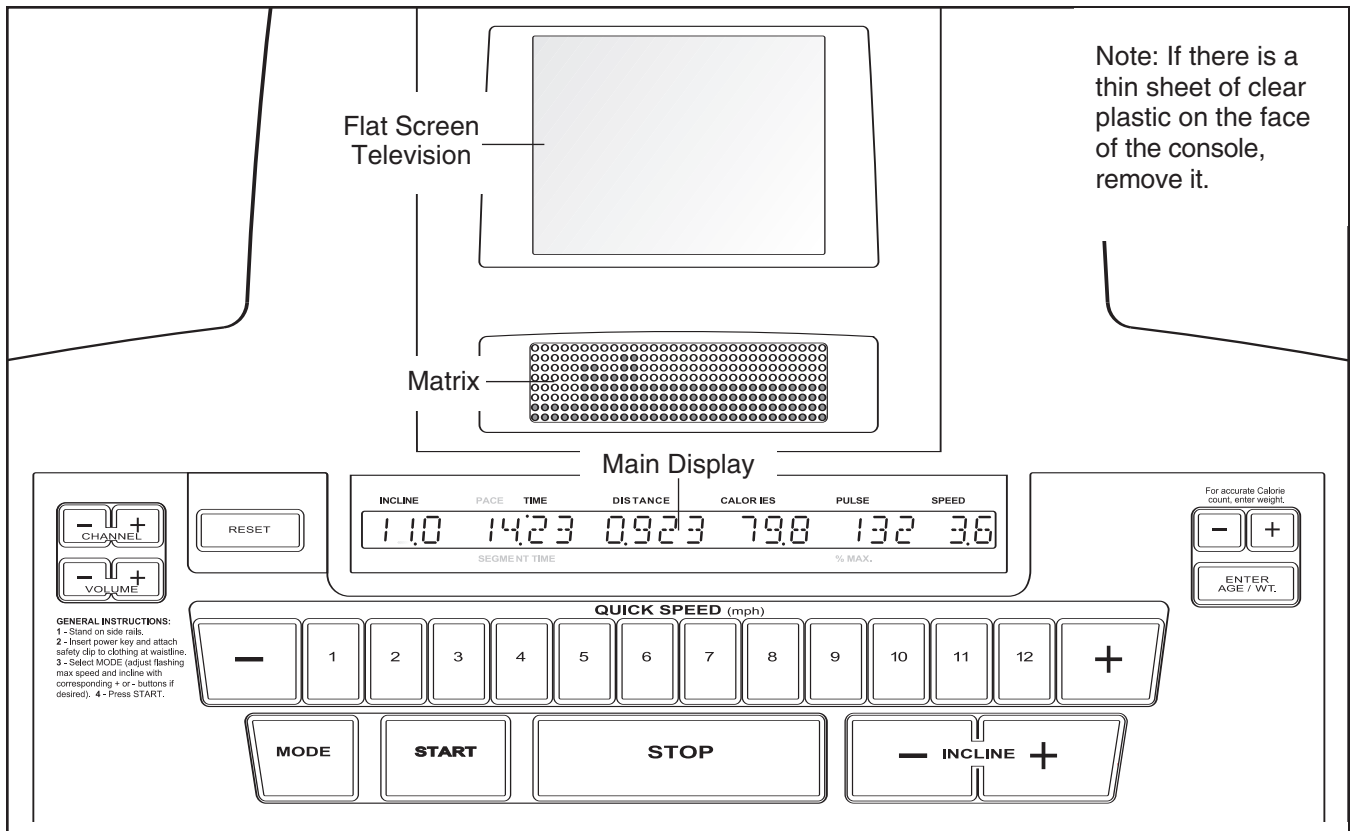
tric shock. This product is equipped with a cord having an equipment-grounding conductor and a grounding plug. **Plug the power cord into a surge suppressor, and plug the surge suppressor into an appropriate outlet that is properly installed and grounded in accordance with all local codes and ordinances. Important: The treadmill is not compatible with GFCI-equipped outlets.**

This product is for use on a nominal 120-volt circuit, and has a grounding plug that looks like the plug illustrated in drawing 1 below. A temporary adapter that looks like the adapter illustrated in drawing 2 may be used to connect the surge suppressor to a 2-pole receptacle as shown in drawing 2 if a properly grounded outlet is not available.



The temporary adapter should be used only until a properly grounded outlet (drawing 1) can be installed by a qualified electrician.

The green-colored rigid ear, lug, or the like extending from the adapter must be connected to a permanent ground such as a properly grounded outlet box cover. Whenever the adapter is used it must be held in place by a metal screw. **Some 2-pole receptacle outlet box covers are not grounded. Contact a qualified electrician to determine if the outlet box cover is grounded before using an adapter.**



FEATURES OF THE CONSOLE

The console offers an impressive array of features designed to make your workouts at home more effective.

When the manual mode of the console is selected, you can change the speed and incline of the treadmill with the touch of a button. As you exercise, the console will provide continuous exercise feedback. The console will also display your heart rate when you use the handgrip pulse sensor or the chest pulse sensor.

Six preset workout programs are also offered. Each program automatically controls the speed and incline of the treadmill to give you an effective workout.

In addition, the console offers three pulse-driven programs that adjust the speed and incline of the treadmill to keep your heart rate near target levels during your workouts, and a unique fitness test program that measures your relative fitness level.

Whether you select the manual mode or a program, you can enjoy the shows of your choice on the personal television while you get in shape.

CAUTION: Before operating the console, read the following precautions.

- Do not stand on the walking belt when turning on the power.
- Always wear the clip (see the drawing at the right) while operating the treadmill.
- Adjust the speed in small increments to avoid sudden jumps in speed.
- The pulse sensors are not medical devices. Various factors, including the user's movement, may affect the accuracy of heart rate readings. The pulse sensors are intended only as exercise aids in determining heart rate trends in general.
- If you have heart problems, or if you are over 60 years of age and have been inactive, do not use the pulse-driven programs. If you are taking medication regularly, consult your physician to find whether the medication will affect your exercise heart rate.
- To reduce the possibility of electric shock, keep the console dry. Avoid spilling liquids on the console and place only a sealed water bottle in the water bottle holder.

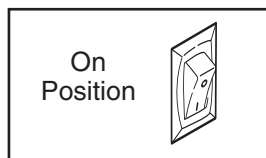
GETTING STARTED

1 Plug in the power cord.

See HOW TO PLUG IN THE POWER CORD on page 11.

2 Move the on/off switch to the “on” position.

Locate the on/off switch on the treadmill frame near the power cord. Move the on/off switch to the “on” position.

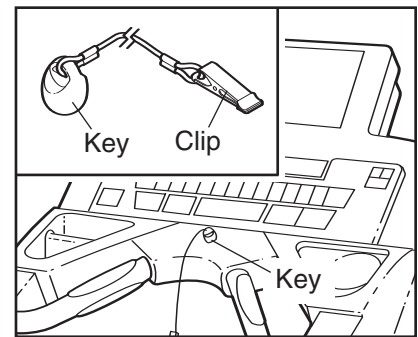


3 Insert the key into the console.

Find the key and the clip and attach the clip to the waistband of your clothes.

Next, insert the key into the console.

Important: In an emergency situation, the key can be pulled from the console, causing the walking belt to slow to a stop. Test the clip by carefully taking a few steps backward; if the key is not pulled from the console, adjust the position of the clip.



Insert the key into the console again. After a moment, various displays and indicators on the console will light.

4 Enter your weight.

Although you can use the console without entering your weight, the console will more accurately count the calories that you burn if you enter your weight. To enter your weight, first press the ENTER AGE/WT button. The words ENTER WEIGHT and the current weight setting will appear in the main display.



Press the + and – buttons above the ENTER AGE/WT button to enter your weight. To enter your weight quickly, hold the buttons down.

To use the manual mode of the console, follow the steps beginning on page 14. **To use a preset program,** see page 16. **To use a pulse-driven program,** see page 17. **To use the fitness test program,** see page 19. **To operate the personal television,** see page 23.

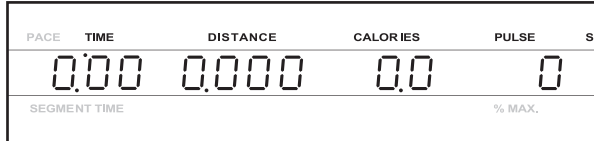
HOW TO USE THE MANUAL MODE

1 Insert the key into the console.

See GETTING STARTED on page 13.

2 Select the manual mode.

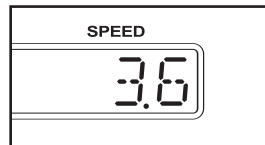
When you insert the key, the manual mode will be selected. If you have selected a program, press the MODE button repeatedly until the main display appears as shown below.



3 Press the START button or the SPEED + button to start the walking belt.

A moment after the button is pressed, the walking belt will begin to move at 1 mph. Hold the handrails and begin walking.

As you exercise, change the speed of the walking belt as desired by pressing the SPEED + and – buttons. Each time a button is pressed, the speed setting will change by 0.1 mph; if a button is held down, the speed setting will change in increments of 0.5 mph. To change the speed quickly, press the QUICK SPEED buttons. The speed range is 0.5 mph to 12 mph. Note: After the buttons are pressed, it may take a moment for the treadmill to reach the selected speed setting.

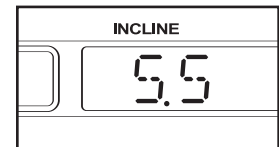


To stop the walking belt, press the STOP button. The time will begin to flash in the main display. Note: If the walking belt is stopped and no console buttons are pressed for five minutes, the console will enter a time out mode and the words PUSH ANY BUTTON TO START A NEW PROGRAM will begin to scroll across the main display.

To restart the walking belt, press the START button or the SPEED + button and then adjust the speed as desired.

4 Change the incline of the treadmill as desired.

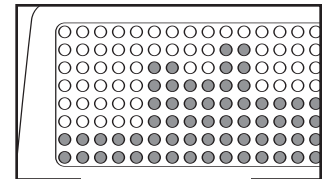
To change the incline of the treadmill, press the INCLINE + and – buttons. Each time a button is pressed, the incline will change by 0.5%.



The incline range is 0% to 15%. Note: After the buttons are pressed, it may take a moment for the treadmill to reach the selected incline setting.

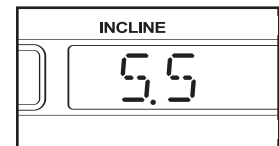
5 Follow your progress with the matrix and the main display.

The matrix—When the manual mode is selected, the matrix will display a graph that represents the distance you have walked or run and the vertical distance you have climbed. Each column represents a distance of 0.1 mile; each indicator in the column represents a vertical distance of 25 feet.

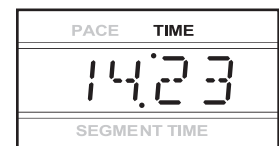


The main display—The main display will show the following information:

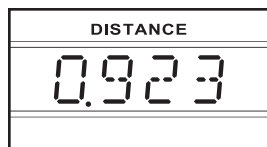
Incline—The left end of the main display will show the incline level of the treadmill.



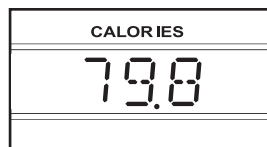
Pace/Time—When the manual mode is selected, this section of the main display will show the elapsed time. When a preset program or a pulse-driven program is selected, the display will show the time remaining in the program and the time remaining in the current segment of the program. The display will change from one number to the other every seven seconds. During the fitness test program, the display will show the elapsed time and the time remaining in the current segment of the program. Note: Any time that the speed setting changes, the display will show your current pace (in *minutes per mile*) for seven seconds.



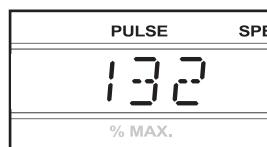
Distance—The center section of the main display will show the distance that you have walked or run.



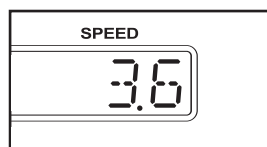
Calories—This section of the main display will show the approximate number of calories you have burned.



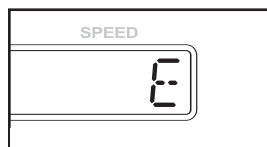
Pulse/% Max—When you are using the handgrip pulse sensor or the chest pulse sensor, this section of the main display will show your heart rate (see step 6 on this page). When a pulse-driven program is selected, the display will show your heart rate and the *corresponding percentage* of your *age-predicted maximum heart rate*. (See step 5 on page 18 for an explanation of your age-predicted maximum heart rate.) The display will change from one number to the other every seven seconds.



Speed—The right end of the main display will show the speed of the walking belt.



Note: The console can display speed and distance in either miles or kilometers. To find which unit of measurement is selected, hold down the STOP button while inserting the key into the console. An "E" for English miles or an "M" for metric kilometers will appear on the right end of the main display. Press the SPEED + button to change the unit of measurement if desired. When the desired unit of measurement is selected, remove the key and then reinsert it. **Note: For simplicity, all instructions in this manual refer to miles.**

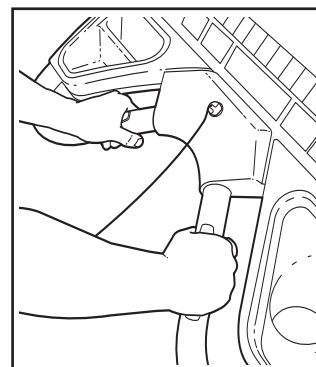


To reset the displayed time, distance, and calories at any time, press the RESET button.

6 Measure your heart rate if desired.

To use the chest pulse sensor, see page 10. To use the handgrip pulse sensor, follow the instructions below. Note: **If you use the chest pulse sensor and the handgrip pulse sensor at the same time, the console will not display your heart rate accurately.** Before using the handgrip pulse sensor, remove the sheets of clear plastic from the metal contacts. In addition, make sure that your hands are clean.

To measure your heart rate, **stand on the foot rails** and hold the handgrip pulse sensor with both hands. Your palms must be resting on the upper contacts and your fingers must be touching the lower contacts—**avoid moving**



your hands. When your pulse is detected, the words ACQUIRING PULSE will appear in the main display and then your heart rate will be shown. **For the most accurate heart rate reading, continue to hold the contacts for at least 15 seconds.**

7 When you are finished exercising, stop the walking belt and remove the key.

Step onto the foot rails and press the STOP button. Next, remove the key from the console and put the key in a secure place. **Note: If the displays and indicators on the console remain lit after the key is removed, the console is in the "demo" mode. See page 24 and turn off the demo mode.**

When the treadmill is not in use, switch the on/off switch near the power cord to the "off" position and unplug the power cord.

HOW TO USE A PRESET PROGRAM

1 Insert the key into the console.

See GETTING STARTED on page 13.

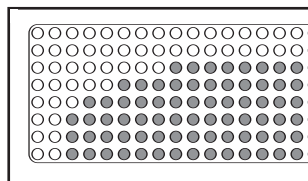
2 Select one of the six preset programs.

When the key is inserted, the manual mode will automatically be selected. To select one of the six preset programs, press the MODE button repeatedly until the words **CARDIO WALK 1**, **CARDIO WALK 2**, **ENDURANCE 1**, **ENDURANCE 2**, **FINISH LINE 1**, or **FINISH LINE 2** appear in the main display. Note: **CARDIO WALK 1** is a low-intensity walking program; **CARDIO WALK 2** is a low-intensity running program; **ENDURANCE 1** is a medium-intensity walking program; **ENDURANCE 2** is a medium-intensity running program; **FINISH LINE 1** is a high-intensity walking program; and **FINISH LINE 2** is a high-intensity running program.



When a preset program is selected, the maximum incline setting for the program will flash at the left end of the main display and the maximum speed setting will flash at the right end of the main display. After three seconds, the name of the selected program and the total program time will scroll across the main display.

When a preset program is selected, the matrix will show a graph representing the speed settings for the program.

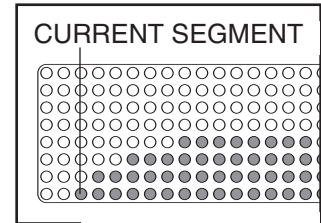


3 Press the START button to start the program.

A moment after the button is pressed, the treadmill will automatically adjust to the first speed and incline settings for the program. Hold the handrails and begin walking.

Each program is divided into several time segments of different lengths. The main display will show both the time remaining in the program and the

time remaining in the current segment of the program. One speed setting and one incline setting are programmed for each segment. The speed setting for the first segment is shown in the flashing **CURRENT SEGMENT** column of the matrix. (The incline settings are not shown in the matrix.) The speed settings for upcoming segments are shown in the columns to the right.



When only three seconds remain in the first segment of the program, both the **CURRENT SEGMENT** column and the column to the right will flash and a tone will sound. In addition, if the speed and/or incline of the treadmill is about to change, the speed setting and/or incline setting will flash in the main display to alert you, and three tones will sound. When the first segment ends, *all speed settings will move one column to the left.* The speed setting for the second segment will then be shown in the flashing **CURRENT SEGMENT** column and the treadmill will automatically adjust to the speed and incline settings for the second segment. The program will continue until the speed setting for the final segment is shown in the **CURRENT SEGMENT** column and no time remains in the program. The walking belt will then slow to a stop.

Note: Each time a segment ends and the speed settings move to the left, *if all of the indicators in the CURRENT SEGMENT column are lit, the speed settings may also move downward so that only the highest indicators in the columns appear in the matrix.* When the speed settings move to the left again, if not all of the indicators in the **CURRENT SEGMENT** column are lit, the speed settings will move back up.

Note: You can manually override the speed or incline setting for the current segment by pressing the **SPEED** or **INCLINE** buttons. Every few times a **SPEED** button is pressed, an additional indicator will light or darken in the **CURRENT SEGMENT** column. (If any of the columns to the right of the **CURRENT SEGMENT** column have the same number of lit indicators as the **CURRENT SEGMENT** column, an additional indicator may light or

darken in those columns as well.) **Important:** When the next segment of the program begins, the treadmill will automatically adjust to the speed and incline settings for the next segment.

To stop the program at any time, press the STOP button. The time will begin to flash in the main display. To restart the program, press the START button. The walking belt will begin to move at 1 mph. When the next segment of the program begins, the treadmill will automatically adjust to the speed and incline settings for the next segment.

4 Follow your progress with the main display.

See step 5 on page 14.

5 Measure your heart rate if desired.

See step 6 on page 15.

6 When the program ends, remove the key.

Step onto the foot rails. Remove the key from the console and put the key in a secure place. **Note: If the displays and indicators on the console remain lit after the key is removed, the console is in the “demo” mode. See page 24 and turn off the demo mode.**

When the treadmill is not in use, switch the on/off switch near the power cord to the “off” position and unplug the power cord.

HOW TO USE A PULSE-DRIVEN PROGRAM

Pulse-driven programs automatically control the speed and incline of the treadmill to keep your heart rate near a target level while you exercise. Follow the steps below to use a pulse-driven program.

1 Put on the chest pulse sensor.

You must wear the chest pulse sensor to use a pulse-driven program. See the instructions on page 10.

2 Insert the key into the console.

See GETTING STARTED on page 13.

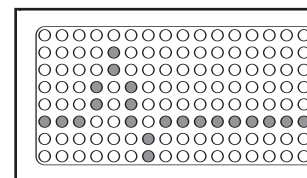
3 Select one of the three pulse-driven programs.

When the key is inserted, the manual mode will be selected. To select one of the three pulse-driven programs, press the MODE button repeatedly until the words **CARDIO WALK PULSE**, **ENDURANCE PULSE**, or **MANUAL PULSE** appear in the main display. Note: The **CARDIO WALK PULSE** program will keep your heart rate near 65% of your *age-predicted maximum heart rate* (see step 5 on page 18 for an explanation of your age-predicted maximum heart rate). The **ENDURANCE PULSE** program will keep your heart rate near 80% of your age-predicted maximum heart rate. The **MANUAL PULSE** program will keep your heart rate near a percentage that you select.



When a pulse-driven program is selected, the name of the selected program and the total program time will scroll across the main display. The words **ENTER AGE** and the current age setting will then be shown (see step 4 on page 18).

During pulse-driven programs, the matrix will show a moving graphic that represents your heart rate. Each time a heart-beat is detected, an additional peak will appear in the graphic.



4 Enter your age.

You must enter your age to use a pulse-driven program. To enter your age, press the + and – buttons above the ENTER AGE/WT button. The buttons can be held down to enter your age quickly. The age range is 20 to 80 years. When your age is shown, press the ENTER AGE/WT button.



If you have selected the CARDIO WALK PULSE program or the ENDURANCE PULSE program, go to step 6. If you have selected the MANUAL PULSE program, go to step 5.

5 Enter a target heart rate setting.

After you have entered your age, the words ENTER PERCENT and the current target heart rate setting for the program will be shown in the main display. The target heart rate setting represents a *percentage* of your *age-predicted maximum heart rate*. Your age-predicted maximum heart rate is 220 minus your age. For example, if you are 30 years old, your age-predicted maximum heart rate is 190 beats per minute ($220 - 30 = 190$). If you are 30 years old, a target heart rate setting of 50 is equal to 95 beats per minute (50% of 190 is 95).



If desired, you can change the target heart rate setting by pressing the + and – buttons above the ENTER AGE/WT button. The buttons can be held down to change the target heart rate setting quickly. The target heart rate setting can be from 50% to 85% of your age-predicted maximum heart rate.

6 Press the START button to start the program.

A moment after the button is pressed, the treadmill will automatically adjust to the first speed and incline settings for the program. Hold the handrails and begin walking.

Each pulse-driven program is divided into one-minute segments. The main display will show both the time remaining in the program and the time remaining in the current segment of the program. One target heart rate setting is programmed for each segment. (During the MANUAL PULSE program, the same target heart rate setting will be programmed for all segments.)

When only three seconds remain in the first segment of the program, a series of tones will sound and then the speed and/or incline of the treadmill will change, if needed, to bring your heart rate closer to the target heart rate setting for the next segment. The speed and/or incline setting will flash in the main display to alert you before the speed and/or incline changes. The program will continue until no time remains in the program. The walking belt will then slow to a stop.

If the speed and incline setting for the current segment is too high or too low, you can adjust the setting with the SPEED or INCLINE buttons. However, if you *decrease* the speed, the incline will automatically *increase*, if you *increase* the speed, the incline will *decrease*. If you *increase* the incline, the speed will *decrease*, if you *decrease* the incline, the speed will *increase*. *The treadmill will always attempt to keep your heart rate near the target heart rate setting for the current segment.* Note: When the incline reaches the lowest setting, the speed cannot be increased any further. When the incline reaches the highest setting, the speed cannot be decreased any further.

If your pulse is not detected during the program, the letters PLS will flash in the main display and the speed and incline of the treadmill may automatically decrease until your pulse is detected. If this occurs, see the instructions on page 10.

To stop the program at any time, press the STOP button. Pulse-driven programs should not be stopped temporarily and then restarted. To use a pulse-driven program again, reselect the program and start it at the beginning.

7 Follow your progress with the main display.

See step 5 on page 14.

8 When the program ends, remove the key.

See step 6 on page 17.

HOW TO USE THE FITNESS TEST PROGRAM

The fitness test program measures your relative fitness level. For the best results, the program should be used at a time when your energy level is high; the program should not be used if you have already exercised during the day. Follow the steps below to use the program.

1 Put on the chest pulse sensor.

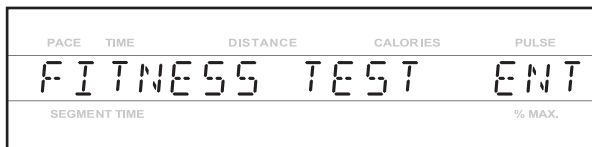
You must wear a chest pulse sensor to use a fitness test program. See the instructions on page 10.

2 Insert the key into the console.

See GETTING STARTED on page 13.

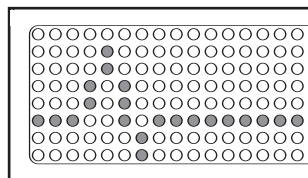
3 Select the fitness test program.

When the key is inserted, the manual mode will be selected. To select the fitness test program, press the MODE button repeatedly until the words FITNESS TEST appear in the main display.



When the fitness test program is selected, the words FITNESS TEST will scroll across the main display. The words ENTER AGE and the current age setting will then be shown (see step 4 below).

During the fitness test program, the matrix will show a moving graphic that represents your heart rate. Each time a heart-beat is detected, an additional peak will appear in the graphic.



4 Enter your age.

You must enter your age to use the fitness test program. To enter your age, see step 4 on page 18.

5 Press the START button to start the program.

When the button is pressed, the main display will show the words LEVEL 1, indicating that the first four-minute level of the fitness test program has begun. The incline of the treadmill will automatically adjust to 3% and the walking belt will begin to move at 1.5 mph. Hold the handrails and begin walking.



The fitness test program is divided into seven, four-minute levels. One speed setting and one incline setting are programmed for each level. At the end of each minute of the program, a tone will sound; when the first four-minute level ends, a tone will sound and the main display will show the words LEVEL 2, indicating that the second four-minute level has begun. The incline will then change to 4% and the speed of the walking belt will increase to 2.5 mph.

At the beginning of each four-minute level, the speed and/or incline of the treadmill will automatically increase. The fitness test program will continue in this way until your heart rate reaches 70% of your age-predicted maximum heart rate and the current four-minute level ends. *The fitness test program will then end, regardless of how many levels remain.*

When the fitness test program ends, the words COOL DOWN will be shown in the main display and a two-minute cool-down period will begin. The speed and incline will then decrease.



When the cool-down period ends, the walking belt will slow to a stop and your fitness level will be shown in the main display. There are ten fitness levels; fitness level 10 is the highest.



Note: The SPEED and INCLINE buttons will not function while the fitness test program is selected. If your pulse is not detected during the program, the letters PLS will flash in the main display. If your pulse is not detected at the end of any four-minute level, the fitness test program will end and the main display will show a fitness level of 00.

The fitness test program cannot be stopped temporarily and then restarted. However, the program can be stopped at any time with the STOP button. The main display will then show an estimated fitness level.

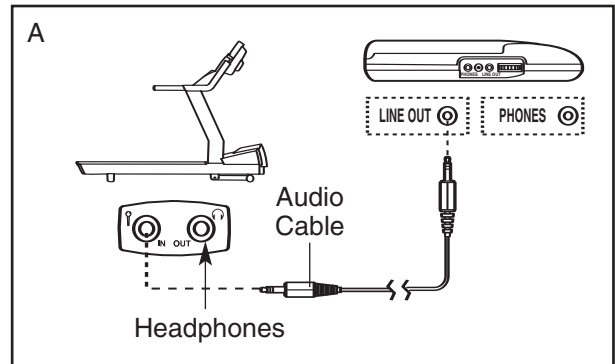
6 When the program ends, remove the key.

See step 6 on page 17.

HOW TO CONNECT THE TREADMILL TO YOUR CD PLAYER, VCR, OR COMPUTER

HOW TO CONNECT YOUR PORTABLE CD PLAYER

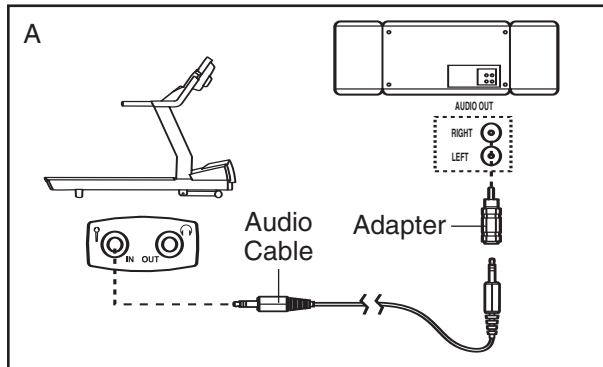
- A. Plug one end of the audio cable into the indicated jack on the left side of the console. Plug the other end of the cable into the PHONES jack or LINE OUT jack on your CD player. Plug your headphones into the other jack on the console.



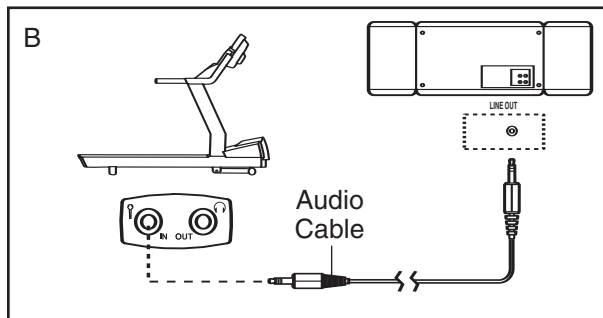
HOW TO CONNECT YOUR PORTABLE STEREO

Note: If your stereo has an RCA-type AUDIO OUT jack, see instruction A below. If your stereo has a 3.5mm LINE OUT jack, see instruction B. If your stereo has only a PHONES jack, see instruction C.

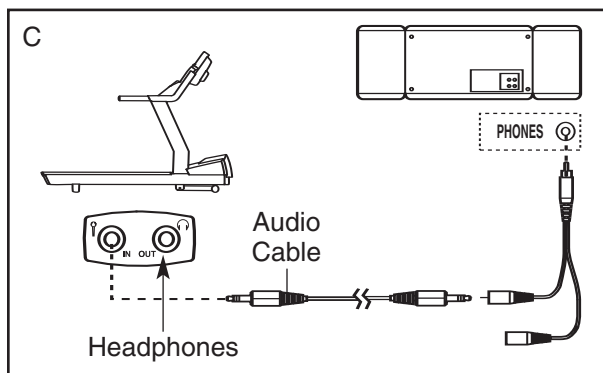
- A. Plug one end of the audio cable into the jack on the left side of the console. Plug the other end of the cable into the included adapter. Plug the adapter into an AUDIO OUT jack on your stereo.



- B. Plug one end of the audio cable into the jack on the left side of the console. Plug the other end of the cable into the LINE OUT jack on your stereo.



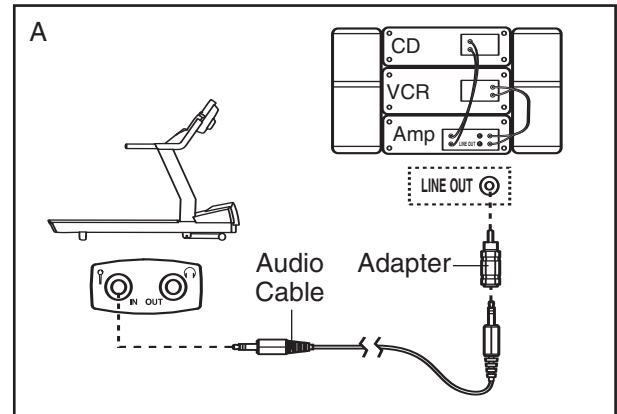
- C. Plug one end of the audio cable into the indicated jack on the left side of the console. Plug the other end of the cable into the PHONES jack on your stereo. Plug your headphones into the other jack on the console.



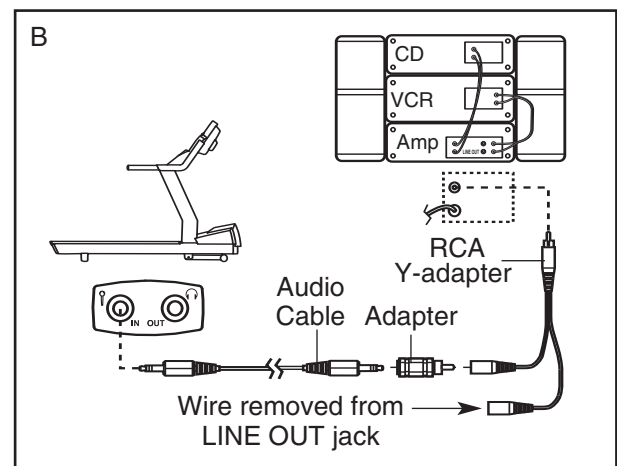
HOW TO CONNECT YOUR HOME STEREO

Note: If your stereo has an unused LINE OUT jack, see instruction A below. If the LINE OUT jack is being used, see instruction B.

- A. Plug one end of the audio cable into the jack on the left side of the console. Plug the other end of the cable into the included adapter. Plug the adapter into the LINE OUT jack on your stereo.

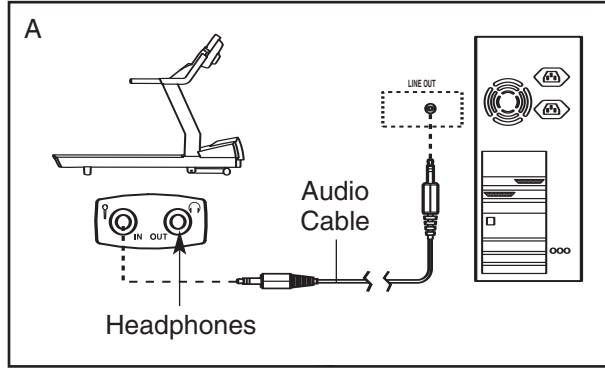


- B. Plug one end of the audio cable into the jack on the left side of the console. Plug the other end of the cable into the included adapter. Plug the adapter into an RCA Y-adapter (available at electronics stores). Next, remove the wire that is currently plugged into the LINE OUT jack on your stereo and plug the wire into the unused side of the Y-adapter. Plug the Y-adapter into the LINE OUT jack on your stereo.



HOW TO CONNECT YOUR COMPUTER

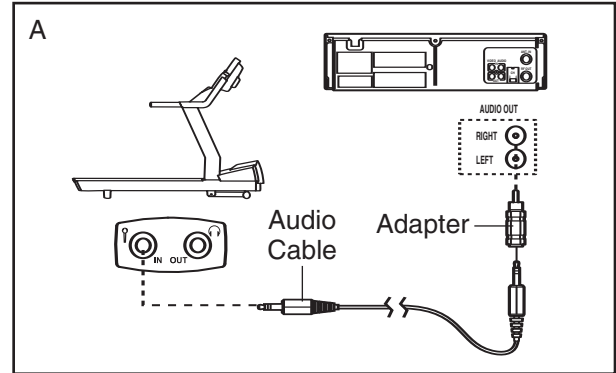
- A. Plug one end of the audio cable into the indicated jack on the left side of the console. Plug the other end of the cable into the PHONES jack or LINE OUT jack on your computer. Plug your headphones into the other jack on the console.



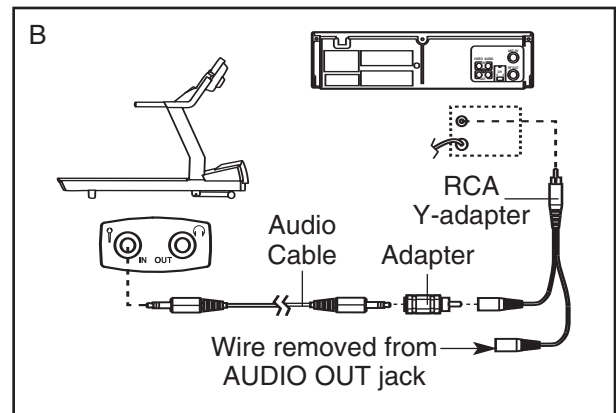
HOW TO CONNECT YOUR VCR

Note: If your VCR has an unused AUDIO OUT jack, see instruction A below. If the AUDIO OUT jack is being used, see instruction B. If you have a TV with a built-in VCR, see instruction B. If your VCR is connected to your home stereo, see HOW TO CONNECT YOUR HOME STEREO on page 21.

- A. Plug one end of the audio cable into the jack on the left side of the console. Plug the other end of the cable into the included adapter. Plug the adapter into the AUDIO OUT jack on your VCR.



- B. Plug one end of the audio cable into the jack on the left side of the console. Plug the other end of the cable into the included adapter. Plug the adapter into an RCA Y-adapter (available at electronics stores). Next, remove the wire that is currently plugged into the AUDIO OUT jack on your VCR and plug the wire into the unused side of the Y-adapter. Plug the Y-adapter into the AUDIO OUT jack on your VCR.



HOW TO OPERATE THE PERSONAL TELEVISION

IMPORTANT: Before operating the television, you must connect an antenna, a 75 ohm CATV cable, or a VCR to the 75 ohm antenna terminal on the treadmill. See page 9 for instructions.

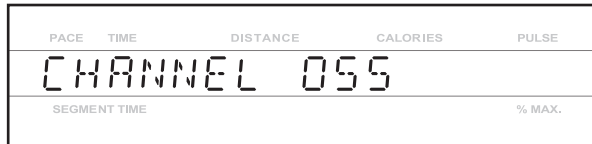
Follow the steps below to operate the television.

1 Insert the key into the console.

See GETTING STARTED on page 13.

2 Select the desired channel.

Press the CHANNEL + and – buttons to select a channel. The number of the selected channel will appear in the main display.

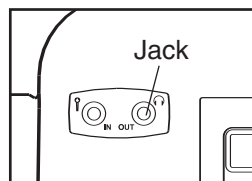


3 Adjust the volume.

Press the VOLUME + and – buttons to select the desired volume. The selected volume setting will appear in the main display.



Note: To listen to television programs using headphones (not included), plug the headphones into the indicated jack on the left side of the console.



4 Change television settings if desired.

To change television settings, hold down the CHANNEL + and – buttons for a few seconds until the words TV SETUP appear in the main display,



5 Press the RESET button and enable or disable the TV.

If the words TV POWER ON appear in the main display when the RESET button is pressed, the television will turn on each time the key is inserted.



To prevent the TV from being used, press the + or – button above the ENTER AGE/WT button so the words TV POWER OFF appear in the main display. **If you have enabled the TV, go to step 6. If you have disabled the TV, go to step 9.**

6 Press the RESET button again and select a cable connection or an antenna connection.

If you are using a cable connection, press the + or – button above the ENTER AGE/WT button until the words TV MODE CABLE appear in the main display. If you are using an antenna connection, press the + or – button until the words TV MODE ANTENNA appear.



7 Press the RESET button again and program TV channels.

When the RESET button is pressed, the words CHANNEL SCAN will appear in the main display. The console has the capability to find and store in memory all of the valid TV channels in your area. Press the + or – button above the ENTER AGE/WT button to start the channel scanning process.



The console will begin scanning all TV channels. If no broadcast signal is detected on a channel, the channel will be skipped; if a signal is detected, a tone will sound and the channel will be stored in memory. This process will continue until the highest channel is reached. The lowest channel stored in memory will then appear in the main display.

8 Press the RESET button again and delete or add TV channels.

After all valid TV channels have been stored in the console's memory, you can delete unwanted channels or add other channels. To delete or add a channel, first press the CHANNEL + or – button until the channel number appears in the main display.



Next, press the + or – button above the ENTER AGE/WT button until the word DELETED (to delete the channel) or SAVED (to add the channel) appear in the main display. Then, select the next channel that you want to delete or add. Repeat this process until you have finished deleting or adding channels.

9 When you are finished changing television settings, hold down the CHANNEL + and – buttons for a few seconds.

THE INFORMATION MODE/DEMO MODE

The console features an information mode that keeps track of the total number of hours that the treadmill has been operated and the total distance that the walking belt has moved. The information mode also allows you to switch the console from miles per hour to kilometers per hour. In addition, the information mode allows you to turn on and turn off the demo mode.

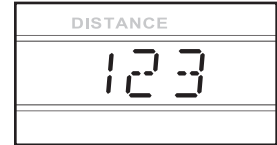
To select the information mode, hold down the STOP button while inserting the key into the console. When

the information mode is selected, the main display will show the following information:

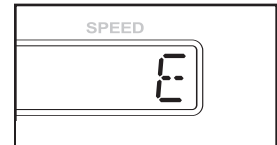
The left side of the main display will show the total number of hours that the treadmill has been used.



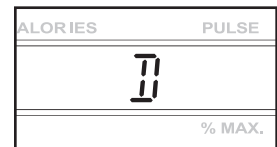
The center of the main display will show the total distance that the walking belt has moved.



The right side of the main display will show an E for English miles or an M for metric kilometers. Press the SPEED + button to change the unit of measurement if desired.



IMPORTANT: Make sure that there is not a letter D in the main display. If a D appears, the console is in the "demo" mode. This mode is intended to be used only



when a treadmill is displayed in a store. When the console is in the demo mode, the power cord can be plugged in, the key can be removed from the console, and the displays and indicators on the console will automatically light in a preset sequence; the buttons on the console will not operate. **If a D appears in the main display when the information mode is selected, press the SPEED – button so the D disappears.**

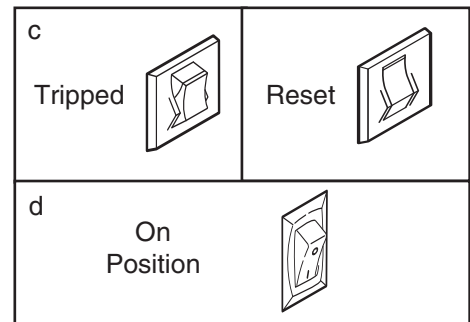
To exit the information mode, remove the key from the console.

TROUBLESHOOTING

Most treadmill problems can be solved by following the steps outlined in this section. Find any symptoms that apply, and follow the steps listed. If further assistance is needed, please see the front cover of this manual.

1. SYMPTOM: THE POWER DOES NOT TURN ON

- Make sure that the power cord is fully plugged into the treadmill. In addition, make sure that the power cord is plugged into a surge suppressor, and that the surge suppressor is plugged into a properly grounded outlet (see page 11). Use only a single-outlet surge suppressor that meets all of the specifications described on page 11. **Important: The treadmill is not compatible with GFCI-equipped outlets.**
- Make sure that the key is inserted into the console.
- Check the circuit breaker located on the treadmill frame near the power cord. If the switch protrudes as shown, the circuit breaker has tripped. To reset the circuit breaker, wait for five minutes and then press the switch back in.
- Check the on/off switch located on the treadmill frame near the power cord. The switch must be in the “on” position.

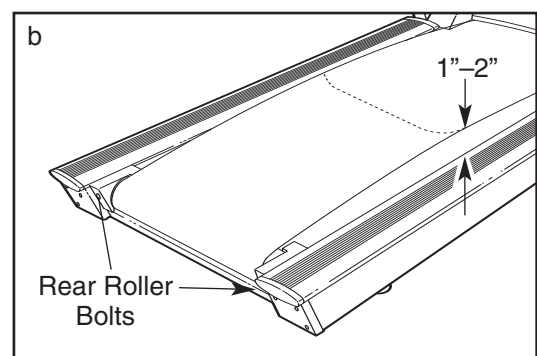


2. SYMPTOM: THE POWER TURNS OFF DURING USE

- Check the circuit breaker located on the treadmill frame near the power cord (see c. above). If the circuit breaker has tripped, wait for five minutes and then press the switch back in.
- Make sure that the power cord is plugged in. If the power cord is plugged in, unplug it, wait for five minutes, and then plug it back in.
- Remove the key from the console. Reinsert the key into the console.
- Make sure that the on/off switch is in the “on” position.
- If the treadmill still will not run, please see the front cover of this manual.

3. SYMPTOM: THE WALKING BELT SLOWS WHEN WALKED ON

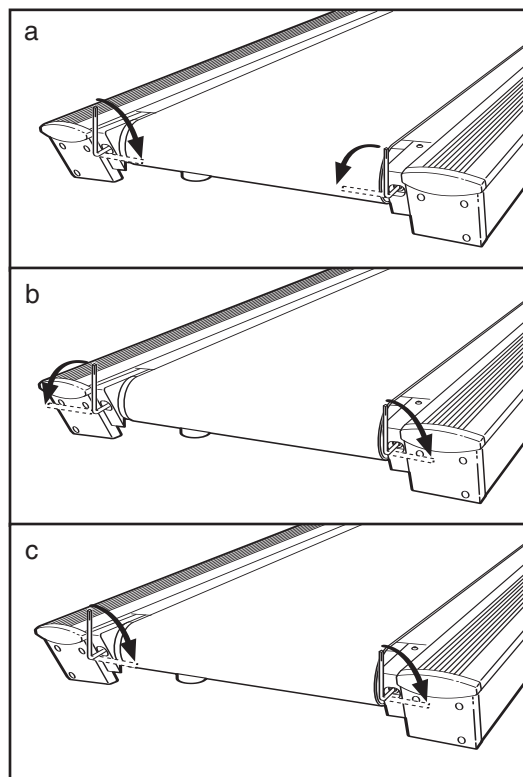
- Use only a single-outlet surge suppressor that meets all of the specifications described on page 11.
- If the walking belt is overtightened, performance may decrease and the walking belt may be damaged. If the walking belt is properly tightened, you should be able to lift each edge of the walking belt 1 to 2 inches off the walking platform. **If adjustments need to be made, first remove the key and unplug the power cord.** Using the included hex key, turn both rear roller bolts counterclockwise 1/4 of a turn. Be careful to keep the walking belt centered. Then, plug in the power cord, insert the key, and use the treadmill for a few minutes. Repeat until the walking belt is properly tightened.



- If the walking belt still slows when walked on, please see the front cover of this manual.

4. SYMPTOM: THE WALKING BELT IS OFF-CENTER

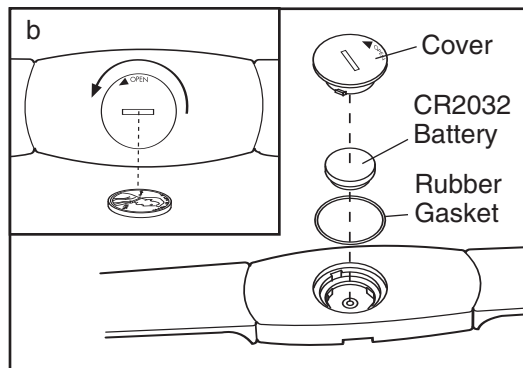
- a. **If the walking belt has shifted to the left: Remove the key and unplug the power cord.** Using the included hex key, turn each rear roller bolt 1/4 of a turn in the direction shown. Be careful not to overtighten the walking belt. Then, plug in the power cord, insert the key, and use the treadmill for a few minutes. Repeat until the walking belt is centered.
- b. **If the walking belt has shifted to the right: Remove the key and unplug the power cord.** Using the included hex key, turn each rear roller bolt 1/4 of a turn in the direction shown. Be careful not to overtighten the walking belt. Then, plug in the power cord, insert the key, and use the treadmill for a few minutes. Repeat until the walking belt is centered.
- c. **If the walking belt slips when walked on: Remove the key and unplug the power cord.** Using the included hex key, turn both rear roller bolts clockwise 1/4 of a turn. When the walking belt is properly tightened, you should be able to lift each edge of the walking belt 1 to 2 inches off the walking platform. The center of the walking belt should just touch the walking platform. Make sure to keep the walking belt centered. Then, plug in the power cord, insert the key, and run the treadmill use a few minutes. Repeat until the walking belt is properly tightened.



5. SYMPTOM: THE CHEST PULSE SENSOR DOES NOT FUNCTION PROPERLY

- a. If the chest pulse sensor does not function properly, see CHEST PULSE SENSOR TROUBLESHOOTING on page 10.
- b. If the chest pulse sensor still does not function properly, the battery should be replaced. To replace the battery, locate the battery cover on the back of the sensor unit. Insert a coin into the slot in the cover and turn the cover counter-clockwise to the “open” position. Then, remove the cover.

Next, remove the old battery from the sensor unit. Insert a new **CR 2032 battery**, making sure that the writing is on top. In addition, make sure that the rubber gasket is in place in the sensor unit. Reattach the battery cover and turn it to the closed position.



6. SYMPTOM: THE SURFACE OF THE WALKING PLATFORM IS DAMAGED

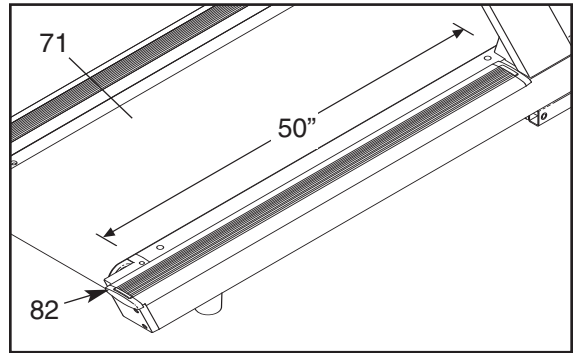
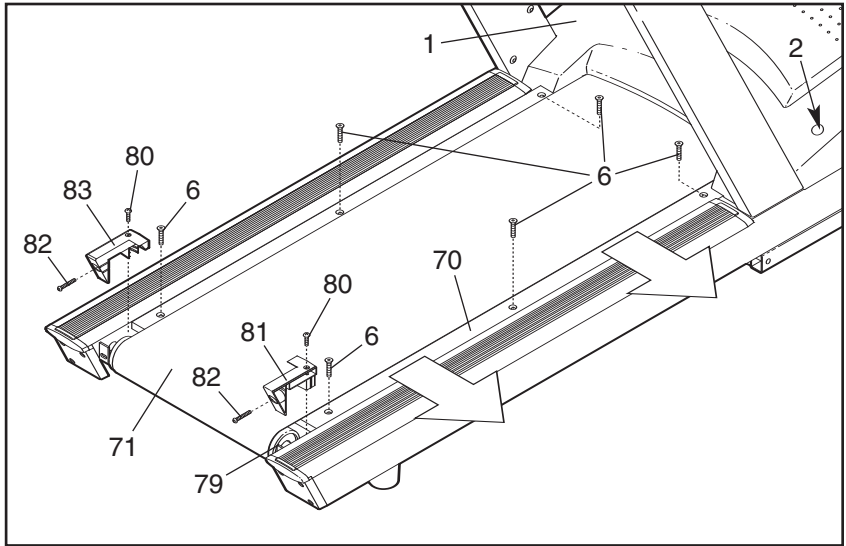
- a. Both sides of the walking platform are designed to be used as walking surfaces. If the surface becomes damaged, or if there is any wood showing through the coating, the walking platform can be turned over. The walking platform typically needs to be turned over after approximately 6,000 to 7,500 miles. Follow the instructions below to turn over the walking platform.

Remove the key and unplug the power cord. Remove the two Hood Screws (2) and lift off the Motor Hood (1). Next, remove the two Rear Roller Bolts (82), the two Roller Guard Screws (80), and the Right and Left Roller Guards (81, 83).

Next, remove the six Platform Screws (6). Lift the Rear Roller (79) and slide it out of the Walking Belt (71). Lift the Walking Platform (70) a few inches, slide it out of the Walking Belt, turn it over, and then slide it back into the Walking Belt. Insert the Rear Roller back into the Walking

Belt. Reattach the six Platform Screws (6). Reattach the Right and Left Roller Guards (81, 83) with the two Roller Guard Screws (80). Insert the Rear Roller Bolts (82) into the Roller Guards and thread them into the Rear Roller (79). Reattach the Motor Hood (1) with the two Hood Screws (2).

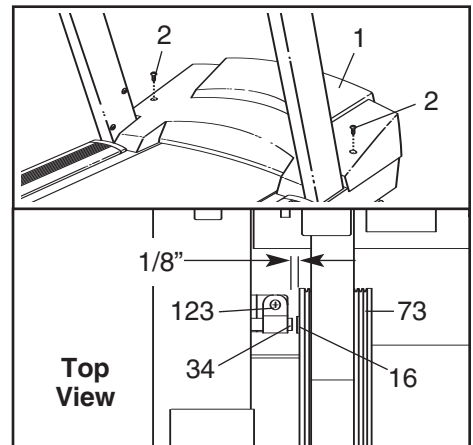
Next, the Walking Belt (71) will need to be adjusted to the proper tension. Using chalk, make two marks exactly 50" apart on the Walking Belt as shown in the drawing. Then, tighten both Rear Roller Bolts (82) until the two chalk marks move apart an additional 3/16" to 1/4". Make sure to keep the Walking Belt centered.



7. SYMPTOM: THE DISPLAYS OF THE CONSOLE DO NOT FUNCTION PROPERLY

- a. Remove the key from the console and **UNPLUG THE POWER CORD.** Remove the two Hood Screws (2). Carefully lift off the Motor Hood (1).

Locate the Reed Switch (34) and the Magnet (16) on the left side of the Pulley (73). Turn the Pulley until the Magnet is aligned with the Reed Switch. **Make sure that the gap between the Magnet and the Reed Switch is about 1/8".** If necessary, loosen the Screw (123), move the Reed Switch slightly, and then retighten the Screw. Reattach the Motor Hood (not shown). Then, run on the treadmill for a few minutes to check for a correct speed reading.



9. SYMPTOM: TELEVISION RECEPTION IS POOR

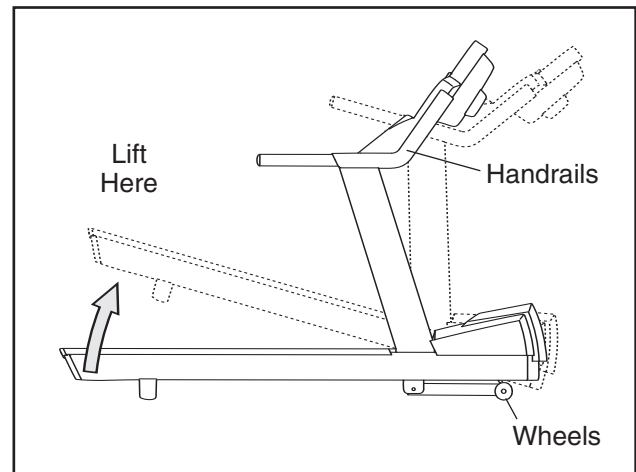
- a. For the television to operate properly, good reception is necessary. If you are using an antenna, make sure that it is properly connected and adjusted for optimal reception. (See ANTENNA CONNECTIONS on page 9.)
- b. Check for the problems listed below and follow the applicable instructions.
 - Ignition (black spots or horizontal streaks that appear on a picture that flutters or drifts)—Usually this is caused by interference from automobile ignition systems, neon lamps, electric drifts, or other electric appliances. Try changing the position of the treadmill or other electric appliances to correct the problem.
 - Ghosts—Ghosts are caused by the television signal following two paths—one is the direct path and the other is reflected from tall buildings, hills, or other objects. Change the direction or position of the antenna to improve reception.
 - Snow—If the treadmill is located in the fringe area of a television station where the signal is weak, the picture may be marred by the appearance of small dots. If the signal is weak, it may be necessary to install an external antenna to improve the picture.

Note: If one of these symptoms appears when the cable from a cable company is connected, the symptom may be caused by the local company broadcast.

HOW TO MOVE THE TREADMILL

Note: It may be helpful to leave the treadmill at an incline when moving it. **Before moving the treadmill, make sure that the power cord is unplugged from the wall outlet.**

Due to the size and weight of the treadmill, moving it requires two persons. While one person lifts the indicated end, firmly hold the handrails and tip the treadmill forward until it rolls on the front wheels. Carefully move the treadmill to the desired location and then lower it. **CAUTION: To decrease the possibility of injury, make sure to lift with your legs rather than your back when you lift the end of the treadmill. To reduce the risk of injury, use extreme caution while moving the treadmill. Do not attempt to move the treadmill over uneven surfaces.**



SIX-MONTH PREVENTIVE MAINTENANCE RECORD

Photocopy this form and use it to record the preventive maintenance performed on the treadmill. Each copy of the form can be used for six months (26 weeks). When maintenance is performed, write the date in the appropriate spaces. **If the procedures are not performed, components may wear excessively, the treadmill may be damaged, and the warranty will be voided.**

	Weekly Maintenance			Monthly Maintenance		
	Inspect and tighten all external parts of the treadmill.	Clean the treadmill.	Check the walking belt for proper tension and alignment.	Remove the motor hood and vacuum the motor compartment.	Check the motor belt for cracks and other wear.	Check the motor for arcing; check for noises or odors.
Week 1	/ /	/ /	/ /			
Week 2	/ /	/ /	/ /			
Week 3	/ /	/ /	/ /			
Week 4	/ /	/ /	/ /	/ /	/ /	/ /
Week 5	/ /	/ /	/ /			
Week 6	/ /	/ /	/ /			
Week 7	/ /	/ /	/ /			
Week 8	/ /	/ /	/ /	/ /	/ /	/ /
Week 9	/ /	/ /	/ /			
Week 10	/ /	/ /	/ /			
Week 11	/ /	/ /	/ /			
Week 12	/ /	/ /	/ /			
Week 13	/ /	/ /	/ /	/ /	/ /	/ /
Week 14	/ /	/ /	/ /			
Week 15	/ /	/ /	/ /			
Week 16	/ /	/ /	/ /			
Week 17	/ /	/ /	/ /	/ /	/ /	/ /
Week 18	/ /	/ /	/ /			
Week 19	/ /	/ /	/ /			
Week 20	/ /	/ /	/ /			
Week 21	/ /	/ /	/ /	/ /	/ /	/ /
Week 22	/ /	/ /	/ /			
Week 23	/ /	/ /	/ /			
Week 24	/ /	/ /	/ /			
Week 25	/ /	/ /	/ /			
Week 26	/ /	/ /	/ /	/ /	/ /	/ /

EXERCISE GUIDELINES

⚠️ WARNING: Before beginning this or any exercise program, consult your physician. This is especially important for individuals over the age of 35 or individuals with pre-existing health problems.

The pulse sensors are not medical devices. Various factors, including the user's movement, may affect the accuracy of heart rate readings. The pulse sensors are intended only as an exercise aid in determining heart rate trends in general.

The following guidelines will help you to plan your exercise program. For more detailed exercise information, obtain a reputable book or consult your physician.

EXERCISE INTENSITY

Whether your goal is to burn fat or to strengthen your cardiovascular system, the key to achieving the desired results is to exercise with the proper intensity. The proper intensity level can be found by using your heart rate as a guide. The chart below shows recommended heart rates for fat burning and aerobic exercise.

HEART RATE TRAINING ZONES							
AEROBIC	165	155	145	140	130	125	115
MAX FAT BURN	145	138	130	125	118	110	103
FAT BURN	125	120	115	110	105	95	90
Age	20	30	40	50	60	70	80

To find the proper heart rate for you, first find your age near the bottom of the chart (ages are rounded off to the nearest ten years). Next, find the three numbers above your age. The three numbers define your “training zone.” The lower two numbers are recommended heart rates for fat burning; the higher number is the recommended heart rate for aerobic exercise.

Fat Burning

To burn fat effectively, you must exercise at a relatively low intensity level for a sustained period of time. During the first few minutes of exercise, your body uses easily accessible *carbohydrate calories* for energy. Only after the first few minutes does your body

begin to use stored *fat calories* for energy. If your goal is to burn fat, adjust the speed and incline of the treadmill until your heart rate is near the lowest number in your training zone.

For maximum fat burning, adjust the speed and incline of the treadmill until your heart rate is near the middle number in your training zone.

Aerobic Exercise

If your goal is to strengthen your cardiovascular system, your exercise must be “aerobic.” Aerobic exercise is activity that requires large amounts of oxygen for prolonged periods of time. This increases the demand on the heart to pump blood to the muscles, and on the lungs to oxygenate the blood. For aerobic exercise, adjust the speed and incline of the treadmill until your heart rate is near the highest number in your training zone.

WORKOUT GUIDELINES

Each workout should include the following three parts:

A Warm-up—Start each workout with 5 to 10 minutes of stretching and light exercise. A proper warm-up increases your body temperature, heart rate and circulation in preparation for exercise.

Training Zone Exercise—After warming up, increase the intensity of your exercise until your pulse is in your training zone for 20 to 60 minutes. (During the first few weeks of your exercise program, do not keep your pulse in your training zone for longer than 20 minutes.) Breathe regularly and deeply as you exercise—never hold your breath.

A Cool-down—Finish each workout with 5 to 10 minutes of stretching to cool down. This will increase the flexibility of your muscles and will help prevent post-exercise problems.

EXERCISE FREQUENCY

To maintain or improve your condition, complete three workouts each week, with at least one day of rest between workouts. After a few months, you may complete up to five workouts each week if desired. The key to success is to make exercise a regular and enjoyable part of your everyday life.

SUGGESTED STRETCHES

The correct form for several basic stretches is shown at the right. Move slowly as you stretch—never bounce.

1. Toe Touch Stretch

Stand with your knees bent slightly and slowly bend forward from your hips. Allow your back and shoulders to relax as you reach down toward your toes as far as possible. Hold for 15 counts, then relax. Repeat 3 times. Stretches: Hamstrings, back of knees and back.

2. Hamstring Stretch

Sit with one leg extended. Bring the sole of the opposite foot toward you and rest it against the inner thigh of your extended leg. Reach toward your toes as far as possible. Hold for 15 counts, then relax. Repeat 3 times for each leg. Stretches: Hamstrings, lower back and groin.

3. Calf/Achilles Stretch

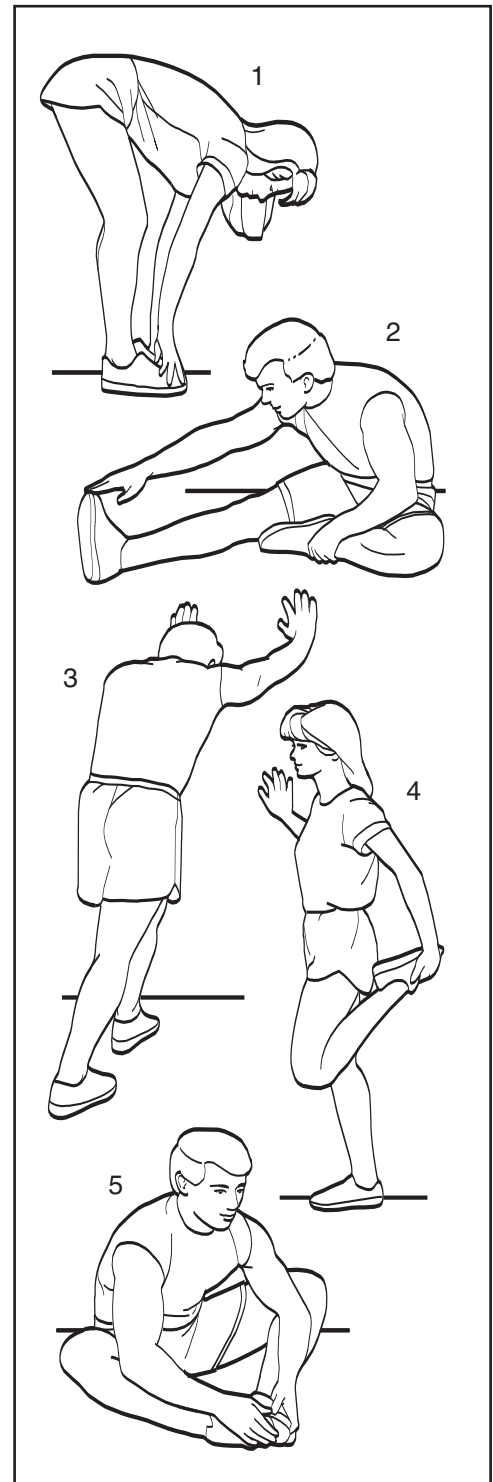
With one leg in front of the other, reach forward and place your hands against a wall. Keep your back leg straight and your back foot flat on the floor. Bend your front leg, lean forward and move your hips toward the wall. Hold for 15 counts, then relax. Repeat 3 times for each leg. To cause further stretching of the achilles tendons, bend your back leg as well. Stretches: Calves, achilles tendons and ankles.

4. Quadriceps Stretch

With one hand against a wall for balance, reach back and grasp one foot with your other hand. Bring your heel as close to your buttocks as possible. Hold for 15 counts, then relax. Repeat 3 times for each leg. Stretches: Quadriceps and hip muscles.

5. Inner Thigh Stretch

Sit with the soles of your feet together and your knees outward. Pull your feet toward your groin area as far as possible. Hold for 15 counts, then relax. Repeat 3 times. Stretches: Quadriceps and hip muscles.



PART LIST—Model No. VFMTL1206.0

R1006A

To locate the parts listed below, see the EXPLODED DRAWING on pages 34 and 35.

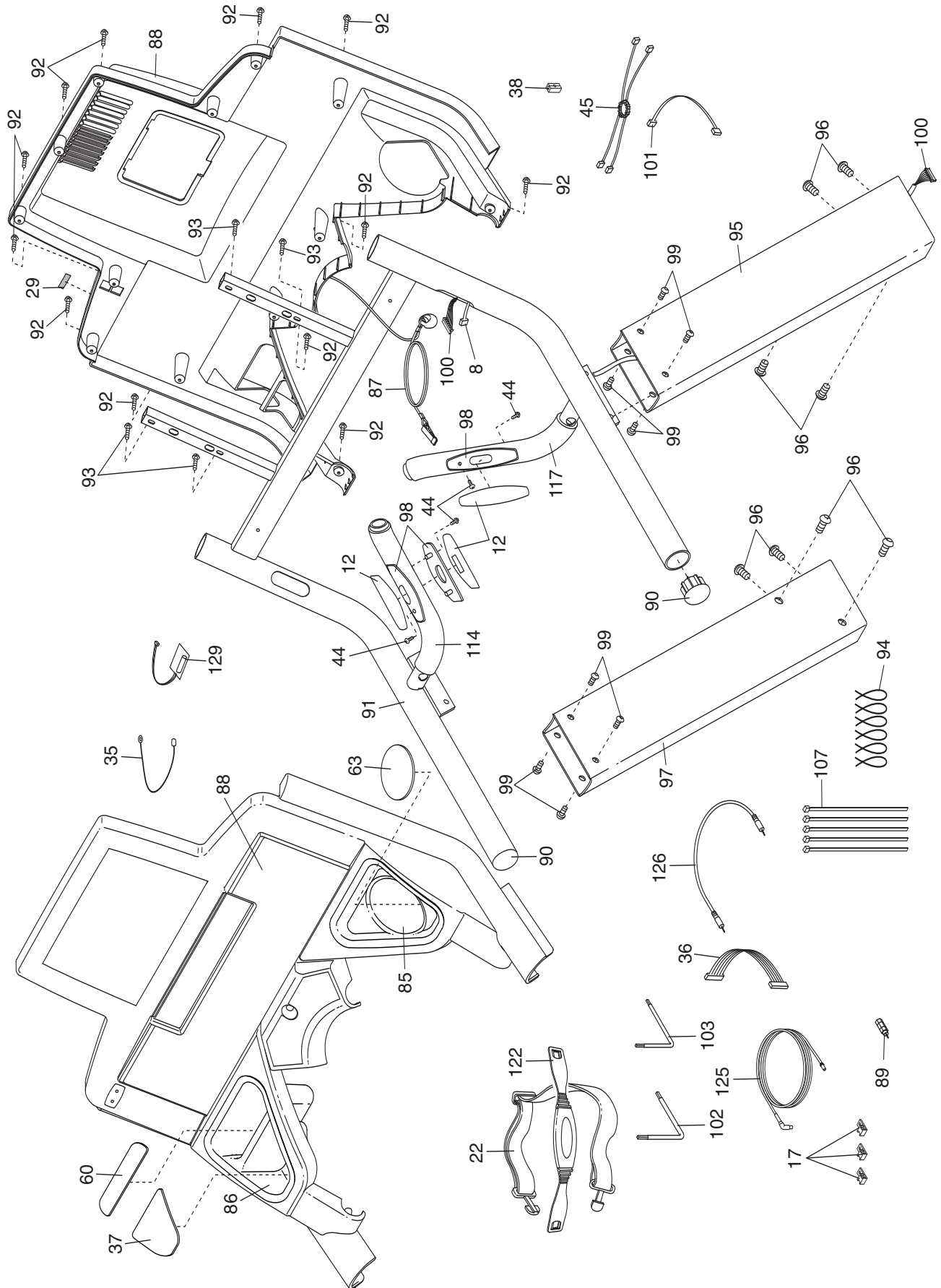
Key No.	Qty.	Description	Key No.	Qty.	Description
1	1	Motor Hood	54	2	Idler Arm Nut
2	2	Hood Screw	55	4	Motor Bolt
3	12	Foot Rail Screw	56	1	Pulley Washer
4	2	Hood Mounting Clip	57	1	Power Wire Harness
5	2	Rear Foot	58	4	Rail Endcap Screw
6	6	Platform Screw	59	4	Plastic Standoff
7	6	Isolator	60	1	CD Holder Foam, Long
8	1	Pulse Plate Wire	61	1	Incline Motor
9	7	Isolator Nut	62	1	Incline Motor Bolt, Lower
10	1	Foot Rail, Left	63	1	Cup Holder Foam
11	2	Foot Rail Inset	64	2	Wheel Bolt
12	4	Pulse Sensor Base	65	2	Wheel
13	1	Left Front Endcap	66	2	Incline Leg Bolt
14	1	Idler Arm Bolt	67	2	Incline Leg Nut
15	4	Pulley Screw	68	4	Mounting Clip
16	2	Magnet	69	1	Incline Leg
17	3	Tie Block	70	1	Walking Platform
18	1	Outlet Cover	71	1	Walking Belt
19	1	Outlet Back	72	1	Right Front Endcap
20	1	Motor Belt	73	1	Front Roller/Pulley
21	1	Pulley Bolt	74	20	Foot Rail Screw/Power Box Screw
22	1	Chest Pulse Strap	75	1	Right Foot Rail
23	6	Small Star Washer	76	1	Frame
24	2	Frame Insert	77	6	Small Insert
25	1	Idler Pulley	78	6	Endcap Screw
26	1	Front Roller Bolt	79	1	Rear Roller
27	2	Lock Washer	80	2	Roller Guard Screw
28	2	Ground Nut	81	1	Roller Guard, Right
29	1	Static Decal	82	2	Rear Roller Adj. Bolt
30	1	Idler Arm Spring	83	1	Roller Guard, Left
31	4	Motor Nut	84	1	Left Rear Endcap
32	1	Idler Arm	85	1	Cup Holder Insert
33	1	Reed Switch Clamp	86	1	CD Holder Insert
34	1	Reed Switch	87	1	Key/Clip
35	1	Console Ground Wire	88	1	Console Assembly
36	1	Power Board Harness	89	1	Jack
37	1	CD Holder Foam	90	2	Handrail Endcap
38	1	Ferrite Clamp	91	1	Handrail
39	1	Power Board Bracket	92	17	Console Back Screw
40	1	Motor	93	4	Handrail Screw
41	1	Motor Isolator	94	6	Releasable Tie
42	1	Incline Motor Nut	95	1	Right Upright
43	1	Incline Motor Bolt, Top	96	8	Upright Bolt
44	4	Pulse Sensor Screw	97	1	Left Upright
45	1	6" Filter Wire	98	4	Pulse Sensor
46	2	Hood Bracket, Front	99	8	Handrail Bolt
47	1	On/Off Switch	100	1	Upright Wire Harness
48	1	Power Cord	101	1	Controller Wire
49	1	Power Cord Outlet	102	1	7/32" Hex Key
50	2	Wheel Spacer	103	1	5/16" Hex Key
51	1	Circuit Breaker	104	1	Power Board
52	4	Motor Bushing	105	2	Belt Guide Bolt
53	5	Motor Mount Washer	106	2	Motor Bolt

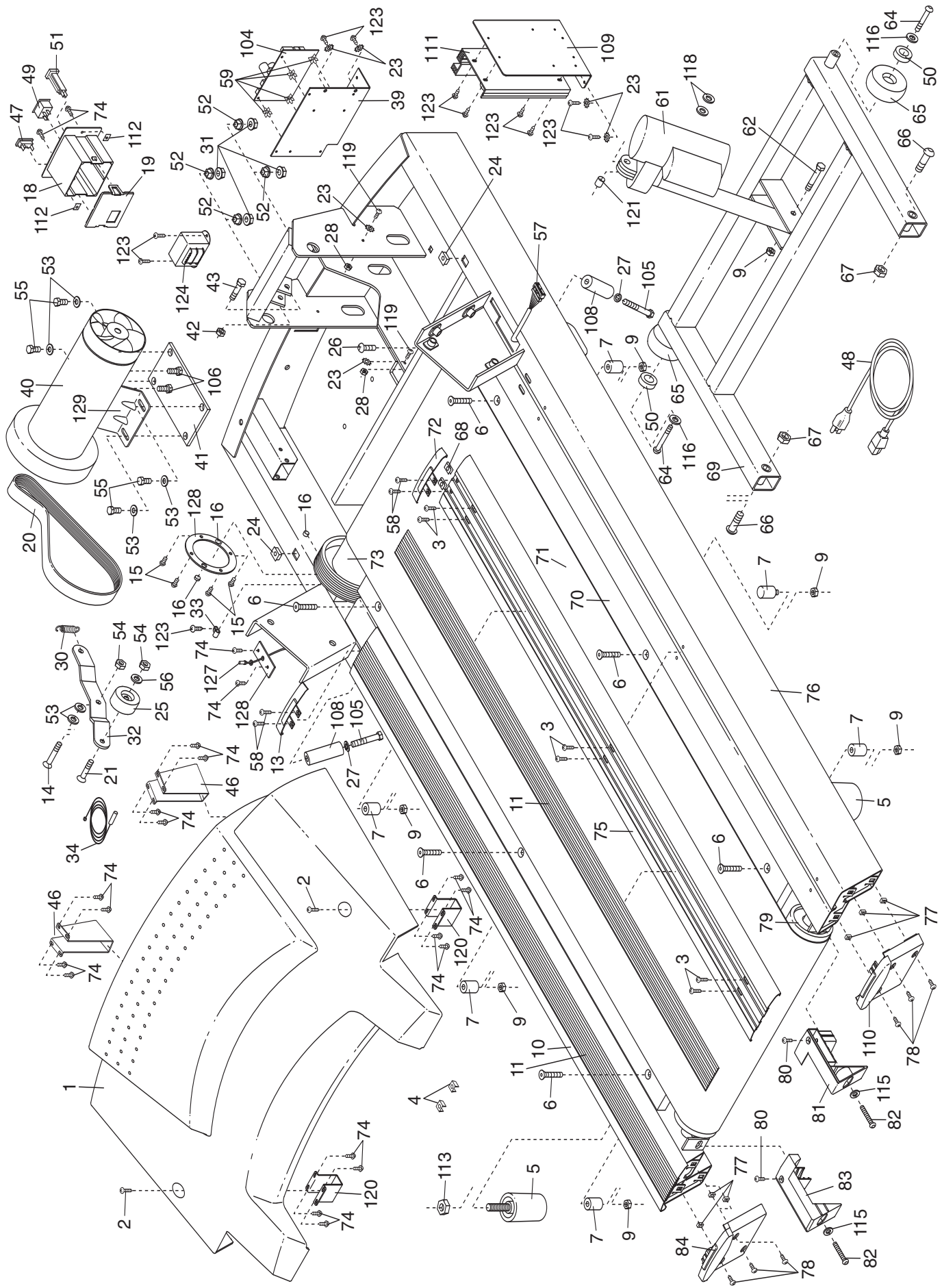
Key No.	Qty.	Description	Key No.	Qty.	Description
107	5	Cable Tie	126	1	1-Foot Wire w/Plug
108	2	Belt Guide	127	1	TV Cable
109	1	Controller Bracket	128	1	Wiring Plate
110	1	Right Rear Endcap	129	1	Pulse Receiver
111	1	Controller	#	1	28" Wire Harness, 3 Wire
112	4	Clip	#	1	25" Wire Harness, 5 Wire
113	2	Rear Foot Locknut	#	1	22" Wire Harness
114	1	Left Foam Grip	#	1	20" Wire Harness, 8 Wire
115	2	Rear Roller Adj. Washer	#	1	20" Wire Harness, 3 Wire
116	2	Wheel Washer	#	1	12" Green Wire, 2 Ring
117	1	Right Foam Grip	#	1	12" Green Wire, F/M Ring
118	2	Nylon Incline Washer	#	1	4" Green Wire F/Ring, 14Ga
119	2	Ground Screw	#	1	4" Black Wire, 2F
120	2	Hood Bracket, Back	#	1	4" White Wire, M/F
121	1	Incline Motor Spacer	#	1	Wire w/Resistor
122	1	Chest Pulse Sensor	#	1	User's Manual
123	15	Electronics Screw			
124	1	Transformer			
125	1	Upright TV Cable			

"#" indicates a non-illustrated part.

EXPLODED DRAWING—Model No. VFMTL1206.0

R1006A





HOW TO CONTACT CUSTOMER CARE

If you have questions after reading this manual, or if you require assistance, please contact Customer Care at the address and phone number listed below. Please be prepared to give the following information:

- The MODEL NUMBER OF THE PRODUCT (VFMTL1206.0).
- The NAME OF THE PRODUCT (FREEMOTION 3500 XLS treadmill).
- The SERIAL NUMBER OF THE PRODUCT (see the front cover of this manual for the location).

When ordering replacement parts, please also give the KEY NUMBER and DESCRIPTION OF THE PART(S) (see the PART LIST and the EXPLODED DRAWING on pages 32 to 35).

Customer Care: 1-800-201-2109, Monday–Friday, 7 a.m.–6 p.m. Mountain Time
FreeMotion Fitness, Inc. • 1096 Elkton Drive, Suite 600 • Colorado Springs, CO 80907



FreeMotion Fitness, Inc. • 1096 Elkton Drive, Suite 600 • Colorado Springs, CO 80907