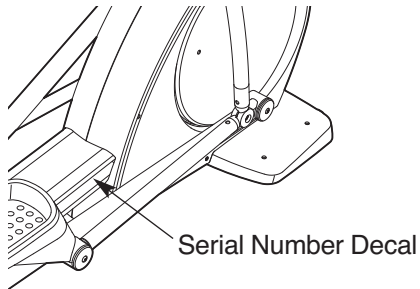


FREEMOTION[®] *elliptical e7.7*

Model No. VMEL81907-INT.0

Serial No. _____

Write the serial number in the space above.



QUESTIONS?

If you have questions, or if parts are damaged or missing, **PLEASE CONTACT THE STORE WHERE YOU PURCHASED THIS PRODUCT.**

If you are unable to contact the store, please see **HOW TO CONTACT CUSTOMER CARE** on the back cover of this manual.

CAUTION

Read all precautions and instructions in this manual before using this equipment. Keep this manual for future reference.

USER'S MANUAL

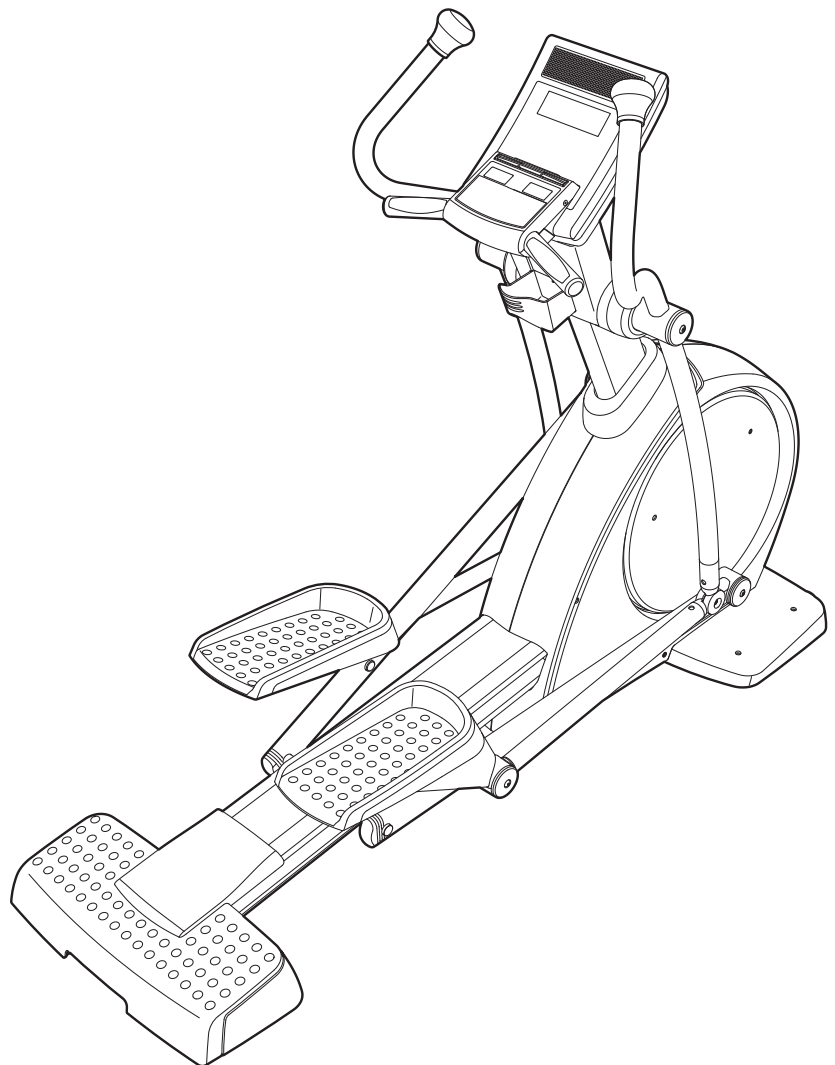


TABLE OF CONTENTS

WARNING DECAL PLACEMENT2

IMPORTANT PRECAUTIONS3

BEFORE YOU BEGIN4

ASSEMBLY5

HOW TO USE THE ELLIPTICAL10

MAINTENANCE AND TROUBLESHOOTING29

EXERCISE GUIDELINES30

PART LIST31

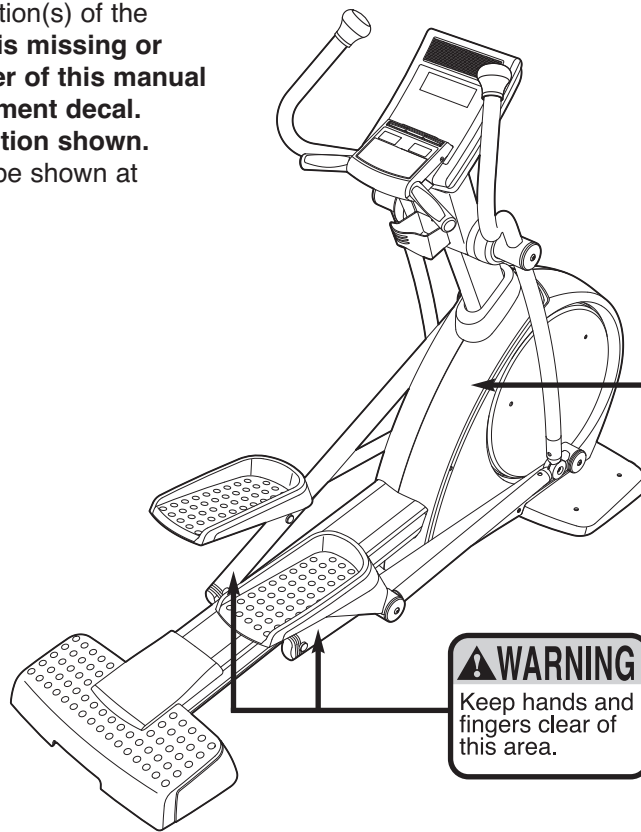
EXPLODED DRAWING33

HOW TO CONTACT CUSTOMER CAREBack Cover

LIMITED WARRANTYBack Cover

WARNING DECAL PLACEMENT

This drawing shows the location(s) of the warning decal(s). **If a decal is missing or illegible, see the back cover of this manual and request a free replacement decal. Apply the decal in the location shown.**
 Note: The decal(s) may not be shown at actual size.



WARNING

- Misuse of this machine may result in serious injury.
- Read user's manual prior to use and follow all warnings and instructions.
- Do not allow children on or around machine.
- Pedals continue to spin when you stop pedaling.
- Spinning pedals can cause injury.
- Reduce pedal speed in a controlled manner.
- User weight must not exceed 350 lbs / 159 kgs.
- This product should always be used on a level surface.
- This product is not intended for therapeutic use.
- Replace label if damaged, illegible, or removed.

WARNING
 Keep hands and fingers clear of this area.

IMPORTANT PRECAUTIONS

⚠ WARNING: To reduce the risk of serious injury, read all important precautions and instructions in this manual and all warnings on your elliptical before using your elliptical. FreeMotion Fitness assumes no responsibility for personal injury or property damage sustained by or through the use of this product.

1. Before beginning any exercise program, consult your physician. This is especially important for persons over age 35 or persons with pre-existing health problems.
2. Use your elliptical only as described in this manual.
3. It is the responsibility of the owner to ensure that all users of the elliptical are adequately informed of all precautions.
4. Keep the elliptical indoors, away from moisture and dust. Do not place the elliptical in a garage or covered patio or near water.
5. Place the elliptical on a level surface. To protect the floor or carpet from damage, place a mat beneath the elliptical. Make sure that there is at least 3 ft. (0.9 m) of clearance in the front and rear of your elliptical and 2 ft. (0.6 m) on each side.
6. Inspect and properly tighten all parts regularly. Replace any worn parts immediately.
7. Keep children under age 12 and pets away from your elliptical at all times.
8. Your elliptical should not be used by persons weighing more than 350 lbs. (159 kg).
9. Wear appropriate exercise clothes when exercising; do not wear loose clothes that could become caught on your elliptical. Always wear athletic shoes for foot protection.
10. Hold the handgrip pulse sensor or the handlebars when mounting, dismounting, or using your elliptical.
11. Keep your back straight while using your elliptical; do not arch your back.
12. The pulse sensor is not a medical device. Various factors, including the user's movement, may affect the accuracy of heart rate readings. The pulse sensor is intended only as an exercise aid in determining heart rate trends in general.
13. The elliptical does not have a freewheel; the pedals will continue to move until the flywheel stops. Reduce your pedaling speed in a controlled way.
14. Over exercising may result in serious injury or death. If you feel faint or if you experience pain while exercising, stop immediately and cool down.
15. Do not modify the power adapter or use an adapter to connect the power adapter to an improper receptacle. Keep the power adapter away from heated surfaces. Do not use an extension cord.

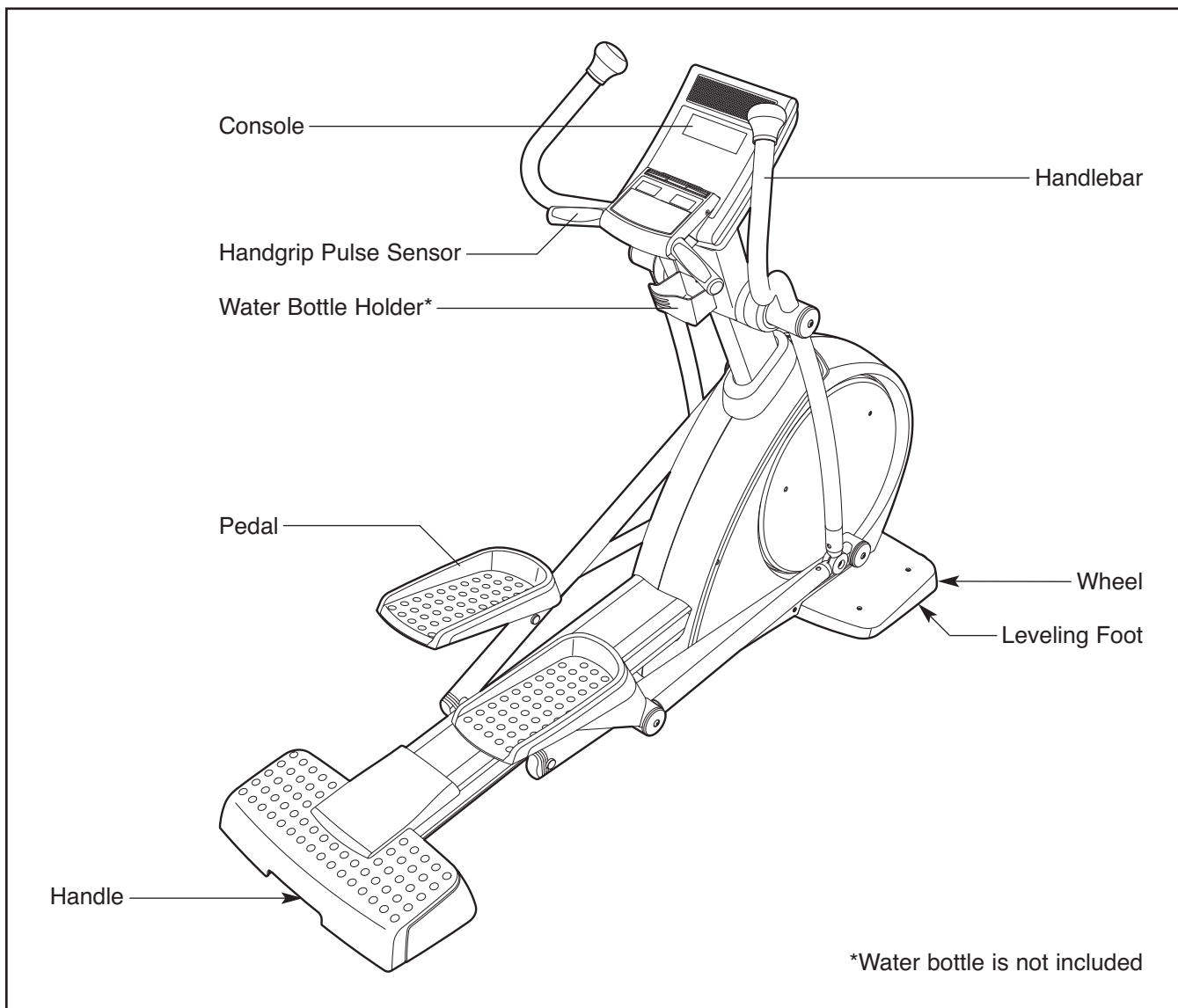
BEFORE YOU BEGIN

Thank you for selecting the revolutionary FREEMOTION® E7.7 elliptical. The E7.7 elliptical provides an impressive selection of features designed to make your workouts at home more effective and enjoyable.

For your benefit, read this manual carefully before you use the elliptical. If you have questions after




reading this manual, please see the back cover of this manual. To help us assist you, note the product model number and serial number before contacting us. The model number and the location of the serial number decal are shown on the front cover this manual.

Before reading further, please familiarize yourself with the parts that are labeled in the drawing below.

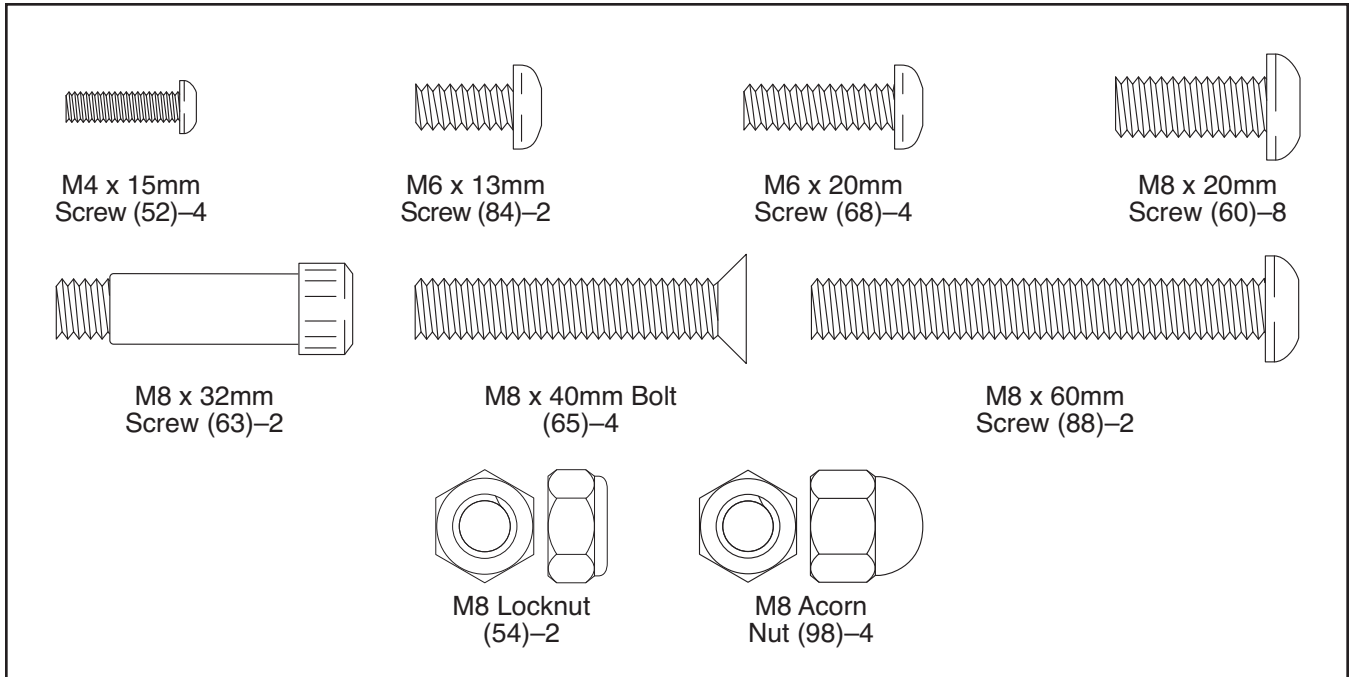


ASSEMBLY

Assembly requires two persons. Place all parts of the elliptical in a cleared area and remove the packing materials. Do not dispose of the packing materials until assembly is completed.

In addition to the included tool(s), assembly requires a Phillips screwdriver  , an adjustable wrench  , and a rubber mallet .

As you assemble the elliptical, use the drawings below to identify small parts. The number in parentheses below each drawing is the key number of the part, from the PART LIST near the end of this manual. The number following the parentheses is the quantity needed for assembly. **Note: If a part is not in the hardware kit, check to see if it has been preassembled.**



1.

To make assembly easier, read the information on page 5 before you begin.

Orient the Shield Cover (39) and the Upright (2) as shown. Slide the Shield Cover upward onto the Upright.

Have a second person hold the Upright (2) near the Frame (1).

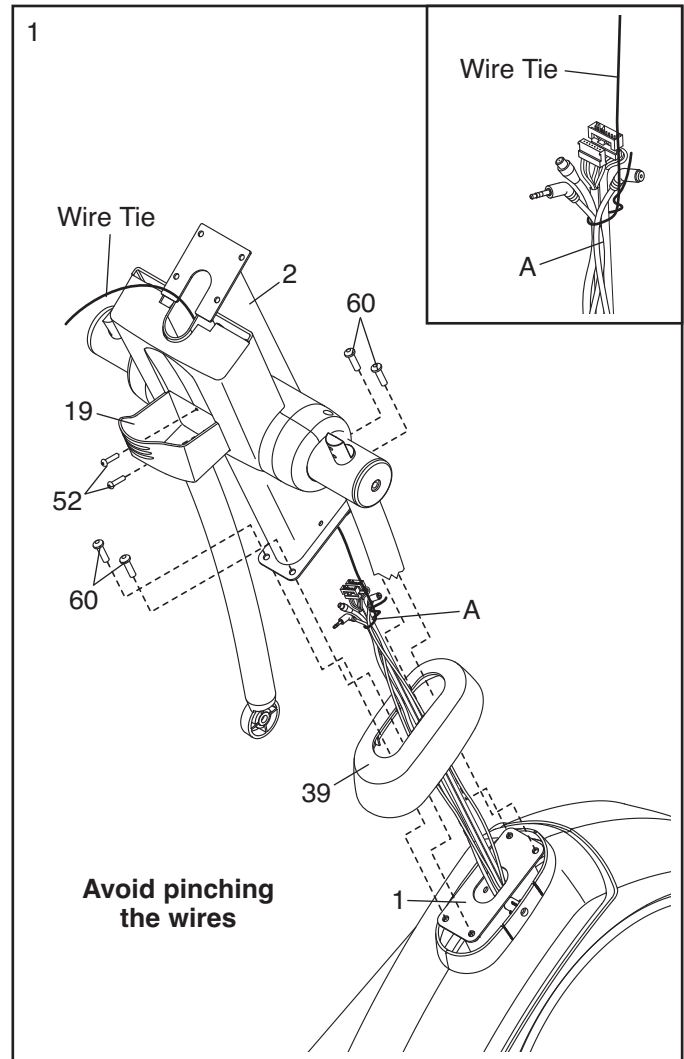
See the inset drawing. Locate the wire tie in the Upright (2). Tie the lower end of the wire tie to the frame wires (A). Next, pull the upper end of the wire tie upward out of the top of the Upright. Then, untie and discard the wire tie.

Tip: Do not allow the ends of the frame wires to fall into the Upright. Use a piece of tape or an elastic band to hold the wires in place until step 4.

Tip: Avoid pinching the wires. Attach the Upright (2) to the Frame (1) with four M8 x 20mm Screws (60). **Tip: Start all the Screws before tightening any of them.**

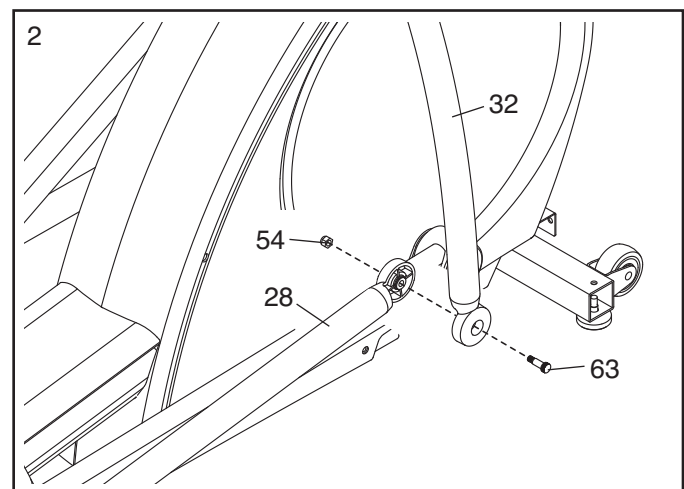
Then, slide the Shield Cover (39) downward to the bottom of the Upright (2).

Attach the Water Bottle Holder (19) to the Upright (2) with two M4 x 15mm Screws (52).



2. Attach the Right Handlebar Leg (32) to the Right Pedal Leg (28) with an M8 x 32mm Screw (63) and an M8 Locknut (54). **Do not overtighten the Locknut; the Right Pedal Leg must pivot easily.**

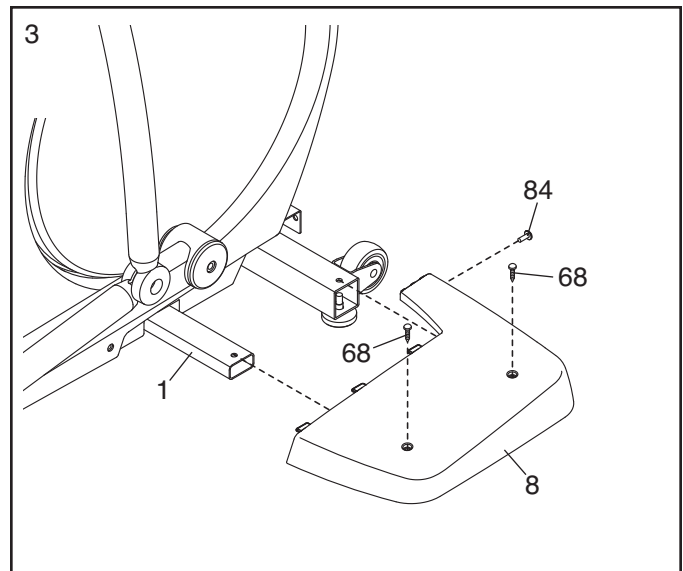
Attach the Left Handlebar Leg (not shown) to the Left Pedal Leg (not shown) in the same way.



3. Identify the Right Frame Cover (8), and orient it as shown.

Attach the Right Frame Cover (8) to the Frame (1) with two M6 x 20mm Screws (68) and an M6 x 13mm Screw (84).

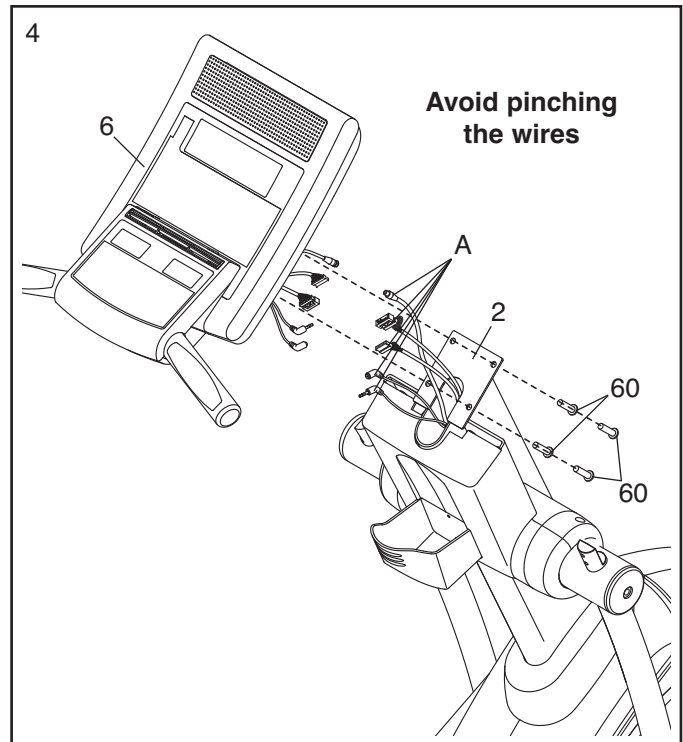
Attach the Left Frame Cover (not shown) in the same way.



4. While a second person holds the Console (6) near the Upright (2), connect the wires on the Console to the frame wires (A). Insert the excess wire downward into the Upright.

Note: Some models of the elliptical have an optional Workout TV. Some of the wires are for the Workout TV.

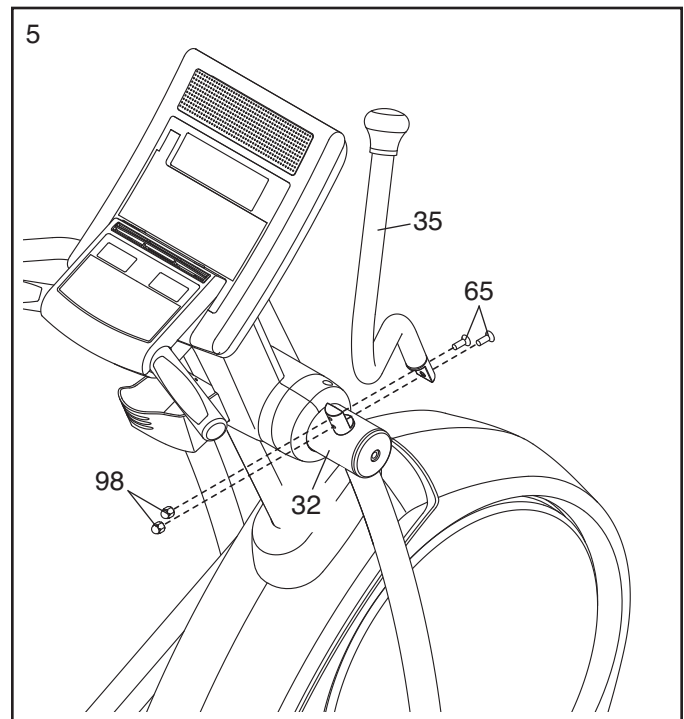
Tip: Avoid pinching the wires. Attach the Console (6) to the Upright (2) with four M8 x 20mm Screws (60).



5. Identify the Right Handlebar (35), which is marked with an "R" sticker.

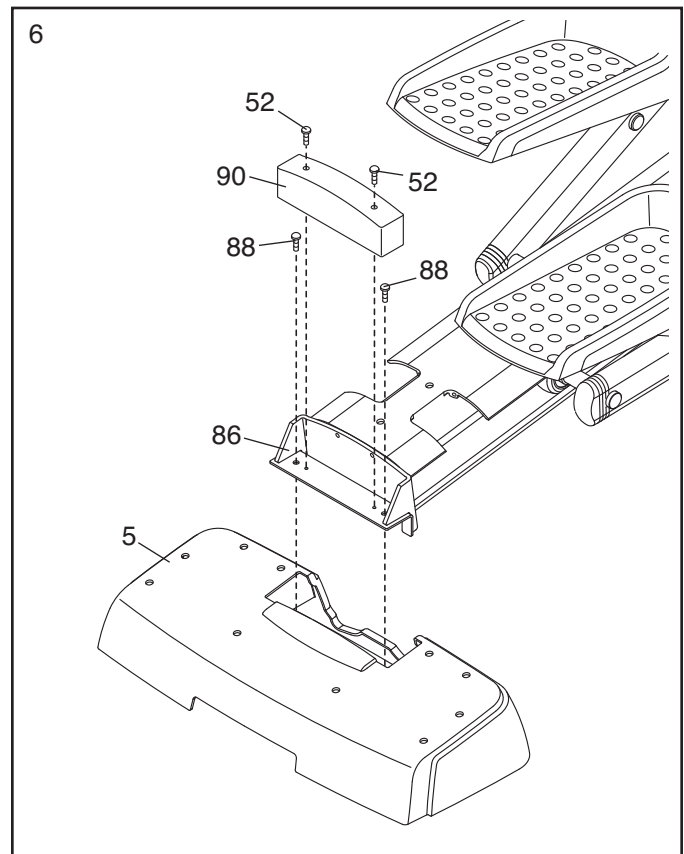
Attach the Right Handlebar (35) to the Right Handlebar Leg (32) with two M8 x 40mm Bolts (65) and two M8 Acorn Nuts (98). **First, tighten the Bolts completely into the Right Handlebar and the Right Handlebar Leg. Using the hex key, hold the Bolts firmly against the Right Handlebar and then tighten the Acorn Nuts onto the ends of the Bolts.**

Attach the Left Handlebar (not shown) to the Left Handlebar Leg (not shown) in the same way.



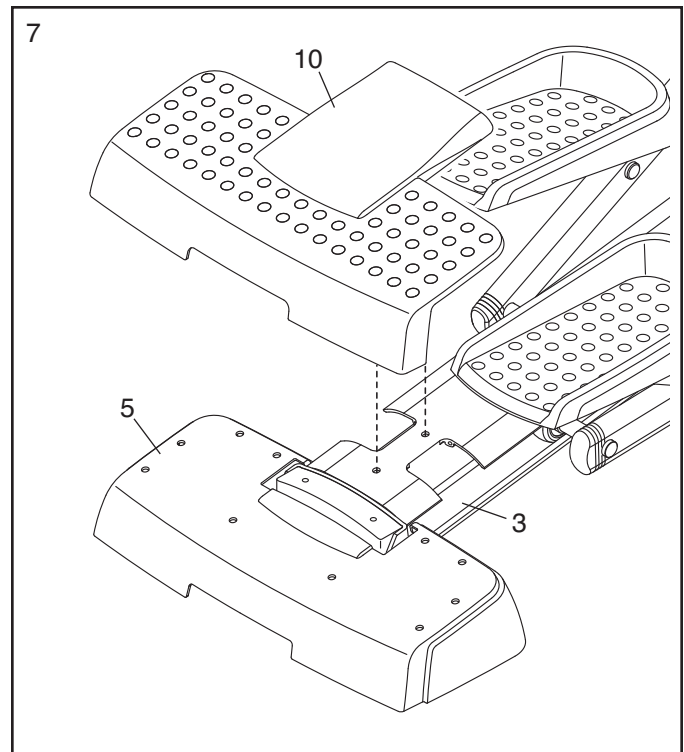
6. Attach the Rear Stabilizer Cover (5) to the Stabilizer Bracket (86) with two M8 x 60mm Screws (88).

Attach the Stabilizer Block (90) to the Stabilizer Bracket (86) with two M4 x 15mm Screws (52).



7. Remove the adhesive backing from the Rear Stabilizer Overlay (10) and from the Rear Stabilizer Cover (5).

Press the Rear Stabilizer Overlay (10) onto the Track Frame (3) and the Rear Stabilizer Cover (5).



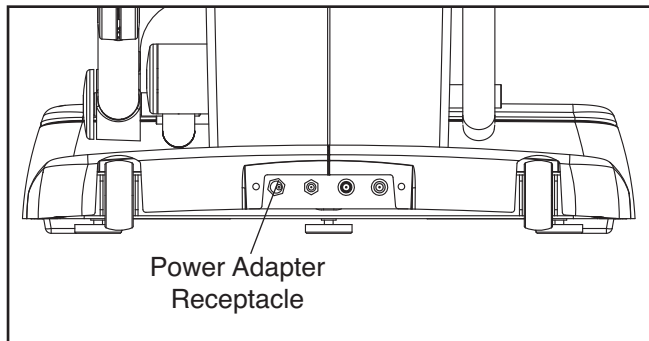
8. **Make sure that all parts of the elliptical are properly tightened.** Note: Some hardware may be left over after assembly is completed. To protect the floor or carpet from damage, place a mat under the elliptical.

HOW TO USE THE ELLIPTICAL

HOW TO PLUG IN THE POWER ADAPTER

IMPORTANT: If the elliptical has been exposed to cold temperatures, allow it to warm to room temperature before turning on the console. If you do not do this, the console displays or other electronic components may become damaged.

To use the power adapter, first plug one end of the power adapter into the receptacle on the front of the elliptical. Plug the other end of the power adapter into an appropriate outlet that is properly installed in accordance with all local codes and ordinances.



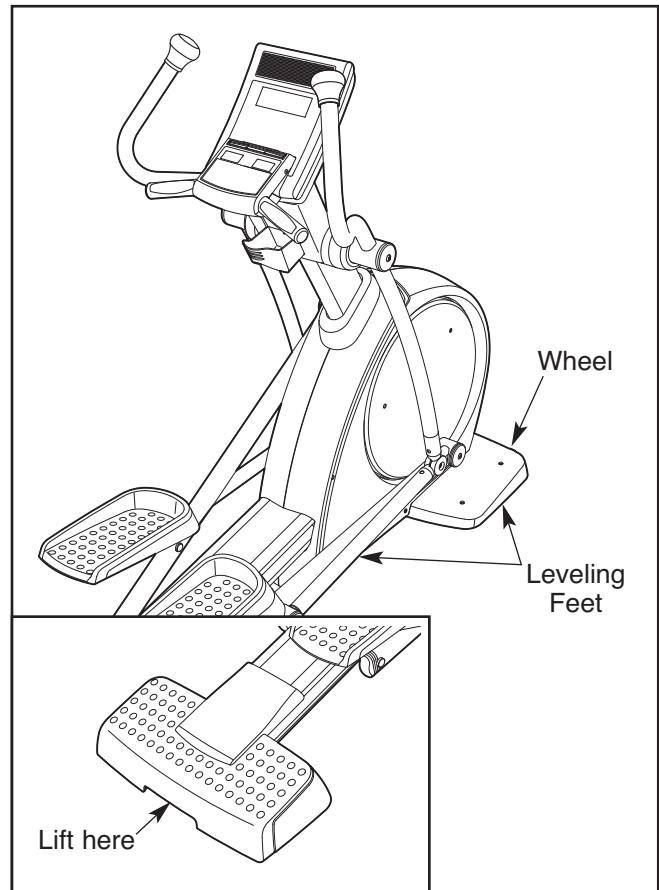
Note: Some models of the elliptical have an optional Workout TV. Any other jacks and cables on the front of the elliptical are for use with the optional Workout TV.

HOW TO LEVEL THE ELLIPTICAL

If the elliptical rocks slightly on your floor during use, turn one or both of the leveling feet beneath the front stabilizer until the rocking motion is eliminated (see the drawing to the right). Then, turn the leveling foot beneath the center of the frame to prevent the frame from flexing.

HOW TO MOVE THE ELLIPTICAL

Due to the size and weight of the elliptical, moving it requires two persons. Have two persons lift the indicated end of the elliptical until the elliptical will roll on the front wheels. Carefully move the elliptical to the desired location and then lower it to the level position.

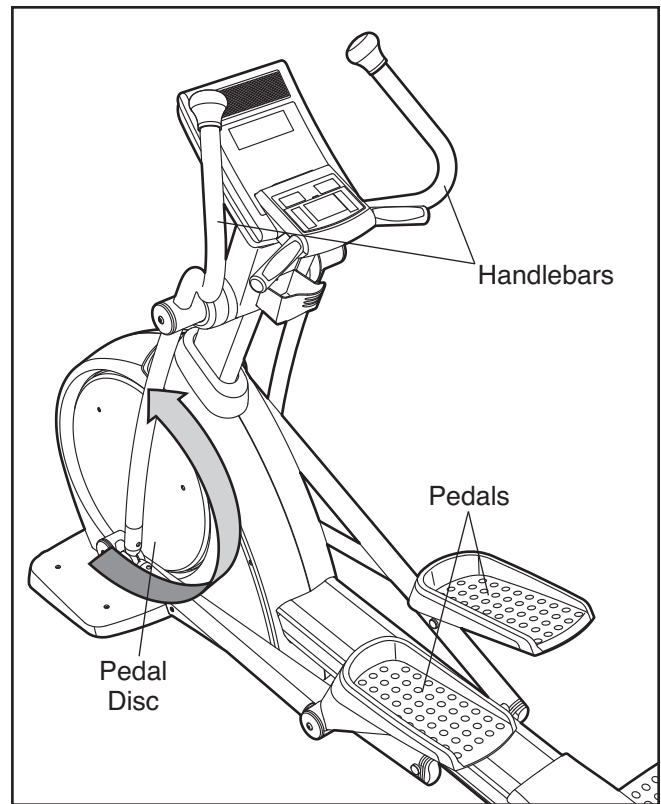


CAUTION: To decrease the risk of injury, bend your legs and keep your back straight. Make sure to use your legs rather than your back to lift the elliptical. Do not attempt to move the elliptical over an uneven surface.

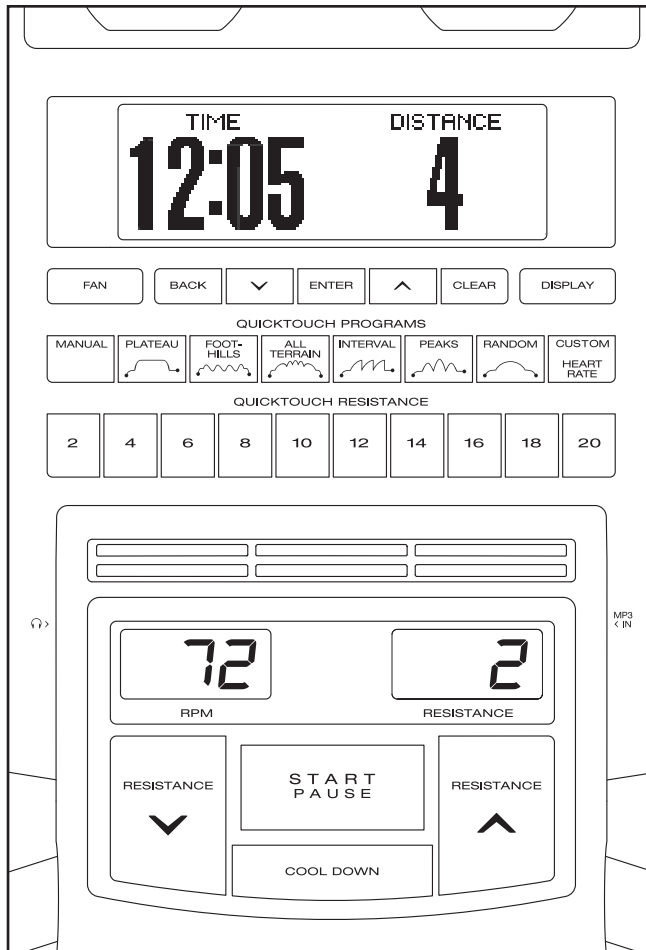
HOW TO EXERCISE ON THE ELLIPTICAL

To mount the elliptical, hold the handlebars and step onto the pedal that is in the lowest position. Then, step onto the other pedal. Push the pedals until they begin to move with a continuous motion. **Note: The pedal discs can turn in either direction. It is recommended that you turn the pedal discs in the direction shown by the arrow; however, for variety, you can turn the pedal discs in the opposite direction.**

To dismount the elliptical, wait until the pedals come to a complete stop. **Note: The elliptical does not have a freewheel; the pedals will continue to move until the flywheel stops.** When the pedals are stationary, step off the higher pedal first. Then, step off the lower pedal.



CONSOLE DIAGRAM



FEATURES OF THE CONSOLE

The advanced console offers an array of features designed to make your workouts more effective and enjoyable.

The quick start mode of the console allows you to change the resistance of the pedals with the touch of a button. As you exercise, the console will provide continuous exercise feedback. You can even measure your heart rate using the handgrip pulse sensor or the optional chest pulse sensor.

The console also offers the following programs:

Twenty-three preset programs that automatically change the resistance of the pedals and prompt you to maintain a target pace while guiding you through an effective workout.

Three manual programs that allow you to set your own time, distance, or calorie goal for the workout.

Two custom programs that allow you to create your own workouts and store them in memory for future use.

Two heart rate programs that automatically adjust the resistance of the pedals to keep your heart rate near a target level during your workouts.

A watts program that changes the resistance of the pedals to keep your power output near a target level during your workout.

A cool down mode that will help you recover from your workout when you are finished exercising.

The console also features the iFit interactive workout system that enables the console to accept iFit cards containing workouts designed to help you achieve specific fitness goals. **To purchase iFit cards, please see the back cover of this manual or go to www.iFit.com. iFit cards are also available at select stores.**

You can even connect your MP3 player or CD player to the console sound system and listen to your favorite workout music or audio books while you exercise.

To activate the console, see page 13. **To turn off the console**, see page 13. **To use the quick start mode**, see page 14. **To use a MANUAL program**, see page 16. **To use a preset program**, see page 18. **To create a CUSTOM program**, see page 20. **To use a CUSTOM program**, see page 21. **To use a HEART RATE program**, see page 23. **To use the CONSTANT WATTS program**, see page 24. **To use the COOL DOWN mode**, see page 25. **To use the maintenance mode**, see page 26. **To use an iFit workout**, see page 28. **To use the sound system**, see page 28.

HOW TO ACTIVATE THE CONSOLE

See HOW TO PLUG IN THE POWER ADAPTER on page 10. When the power adapter is plugged in, the main display will turn on and the console will be ready for use.

IMPORTANT: If the elliptical has been exposed to cold temperatures, allow it to warm to room temperature before turning on the console. If you do not do this, the console displays or other electronic components may become damaged.

HOW TO TURN OFF THE CONSOLE

If the pedals are not moved for a short period of time, the console will enter an idle mode and a screen saver will appear in the main display. Unplug the power adapter when the elliptical is not in use.

HOW TO USE THE QUICK START MODE

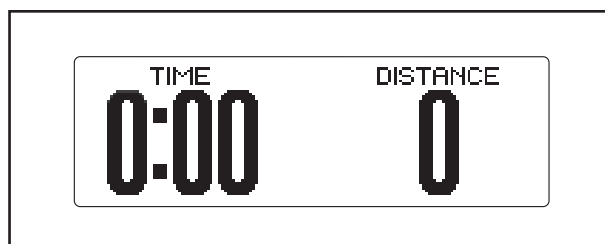
If you do not plan to use a program, the quick start mode will allow you to start exercising and adjust the resistance of the pedals manually.

1. Press any button or begin pedaling to activate the console.

See HOW TO ACTIVATE THE CONSOLE on page 13.

2. Select the quick start mode.

When you activate the console, the quick start mode will be selected. If you have selected a program, reselect the quick start mode by pressing any of the QUICKTOUCH PROGRAMS buttons repeatedly until zeros appear in the display.



3. Start the quick start mode and change the resistance of the pedals as desired.

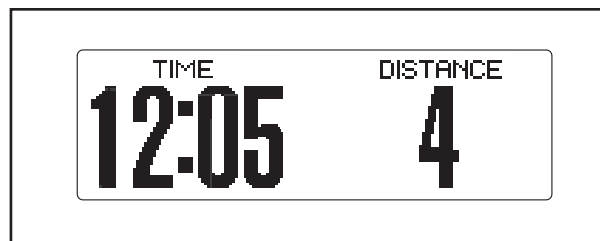
Press the START button to start the quick start mode.

As you pedal, change the resistance of the pedals by pressing the RESISTANCE increase and decrease buttons or the numbered QUICKTOUCH RESISTANCE buttons. There are twenty resistance levels. Note: After you press a RESISTANCE button, it will take a moment for the pedals to reach the selected resistance level.

4. Follow your progress with the displays.

The main display—This display will show the elapsed time and the distance you have pedaled. Note: When a preset program, a custom program, or the MANUAL TIME program is selected, the display will show the time remaining in the program instead of the elapsed time.

The main display will also show your heart rate (in beats per minute) when you use the handgrip pulse sensor or the optional chest pulse sensor (see step 5 on page 15).



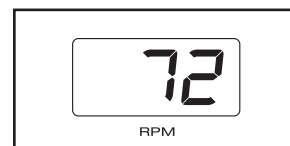
You can also view selected information at a larger size. Press the DISPLAY button repeatedly to view the elapsed time, the distance that you have pedaled, or the approximate number of calories that you have burned.

To view the elapsed time, your exercise intensity in METS, the approximate number of calories you have burned, the distance, your power output in watts, the approximate number of calories you are burning per hour, and your heart rate in one display, press the DISPLAY button again.

To view the elapsed time, the distance you have pedaled, and the approximate number of calories you have burned in one display, press the DISPLAY button again.

To again view the elapsed time and the distance that you have pedaled, press the DISPLAY button again.

The lower left display—This display will show your pedaling pace in revolutions per minute (rpm).



The lower right display—This display will show the resistance level of the pedals.



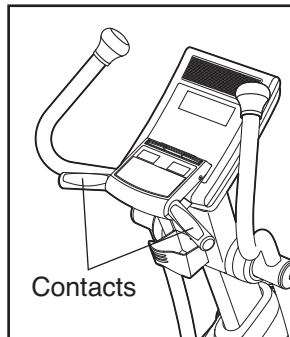
Press the PAUSE button to pause the quick start mode at any time. Simply resume pedaling or press the START button to restart the quick start mode. Press the CLEAR button to reset the displays.

Note: The main display may be able to display text messages in other languages (see step 6 on page 27).

5. Measure your heart rate if desired.

You can measure your heart rate using either the handgrip pulse sensor or the optional chest pulse sensor (see page 28 for information about the optional chest pulse sensor).

If there are sheets of clear plastic on the metal contacts on the handgrip pulse sensor, remove the plastic. In addition, make sure that your hands are clean. To measure your heart rate, hold the handgrip pulse sensor with your palms resting against the metal contacts. **Avoid moving your hands or gripping the contacts tightly.**



When you hold the handgrip pulse sensor, a small heart symbol will appear in the display. Then, when your pulse is detected, your heart rate will be shown in the display next to the heart symbol. For the most accurate heart rate reading, hold the contacts for at least 15 seconds.

If your heart rate is not shown, make sure that your hands are positioned as described. Be careful not to move your hands excessively or to squeeze the metal contacts tightly. For optimal performance, clean the metal contacts using a soft cloth; **never use alcohol, abrasives, or chemicals to clean the contacts.**

6. Turn on the fan if desired.

The fan has high and low speed settings. Press the FAN button repeatedly to select a fan speed or to turn off the fan. Note: If the pedals do not move for about thirty seconds, the fan will turn off automatically.

Pivot the fan louvers upward or downward to direct the airflow from the fan.

7. When you are finished using the elliptical, the console will enter an idle mode.

See HOW TO TURN OFF THE CONSOLE on page 13.

HOW TO USE A MANUAL PROGRAM

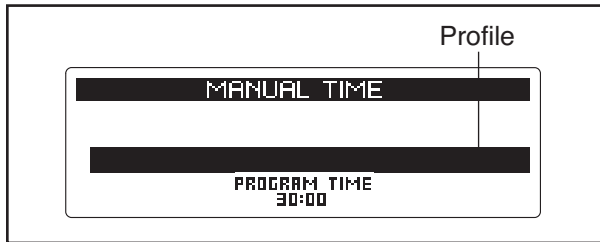
A MANUAL program allows you to set a time, distance, or calorie goal for your workout as you control the resistance of the pedals.

1. Press any button or begin pedaling to activate the console.

See HOW TO ACTIVATE THE CONSOLE on page 13.

2. Select a MANUAL program.

To select one of the three MANUAL programs, first press the MANUAL button repeatedly until the words MANUAL TIME, MANUAL DISTANCE, or MANUAL CALORIES appear in the main display. A profile of the resistance settings of the program and the program goal will also appear in the display. Then, press the ENTER button to confirm your selection.



3. Enter your age.

A moment after you select a MANUAL program, the words “ENTER AGE” and an age setting of 35 will flash in the main display. To enter your age, press the increase and decrease buttons beside the ENTER button. Then, press the ENTER button.



4. Enter your weight.

Next, the words “ENTER WEIGHT” and a weight setting of 185 pounds (US) will appear in the main display. To enter your weight (1 kilogram = 2.2 pounds), press the increase and decrease buttons beside the ENTER button. Then, press the ENTER button.



5. Enter a goal for the program.

If you selected the MANUAL TIME program, the words “ENTER WORKOUT TIME” and a time setting of 30 minutes will appear in the main display. To change the length of time that the program will last, press the increase and decrease buttons beside the ENTER button.

If you selected the MANUAL DISTANCE program, the words “ENTER WORKOUT DISTANCE” and a distance setting will appear in the main display. To change the distance goal for the program, press the increase and decrease buttons beside the ENTER button.

If you selected the MANUAL CALORIES program, the words “ENTER WORKOUT CALORIES” and a calorie setting of 300 calories will appear in the main display. To change the calorie goal for the program, press the increase and decrease buttons beside the ENTER button.

6. Start the program.

Press the START button or begin pedaling to start the program.

Each program is divided into several one-minute segments. During the program, the program profile will show your progress (see the drawing in step 2 on page 16). The flashing segment of the profile represents the current segment of the program. The height of the flashing segment indicates the resistance level for the current segment. At the end of each segment of the program, a series of tones will sound and the next segment of the profile will begin to flash.

As you pedal, change the resistance of the pedals as desired by pressing the RESISTANCE increase and decrease buttons or the numbered QUICK-TOUCH RESISTANCE buttons. There are twenty resistance levels. Note: After you press a RESISTANCE button, it will take a moment for the pedals to reach the selected resistance level. The default resistance level for the MANUAL programs is resistance level 3.

The program will continue in this way until the last segment of the profile flashes. To stop the program at any time, stop pedaling or press the PAUSE button. To restart the program, simply resume pedaling or press the START button. To exit the program at any time, press the CLEAR button.

7. Follow your progress with the displays.

During a MANUAL program, the main display will show the time, your exercise intensity in METS, the approximate number of calories you have burned, the approximate number of calories you are burning per hour, and the distance you have pedaled. The main display will also show your heart rate when you use the handgrip pulse sensor (see step 5 on page 15) or the optional chest pulse sensor (see page 28).

If you selected the MANUAL TIME program, the main display will count down the time remaining in the program. **If you selected the MANUAL DISTANCE program**, the main display will count down the distance. **If you selected the MANUAL CALORIES program**, the main display will count down the approximate number of calories you are burning.

To view the time, your exercise intensity in METS, and your power output in watts, press the DISPLAY button.

To view the time, the approximate number of calories you have burned, and the distance you have pedaled, press the DISPLAY button again.

To again view the time, your exercise intensity in METS, the approximate number of calories you have burned, the approximate number of calories you are burning per hour, and the distance you have pedaled, press the DISPLAY button again.

8. Measure your heart rate if desired.

See step 5 on page 15.

9. Turn on the fan if desired.

See step 6 on page 15.

10. When you are finished using the elliptical, the console will enter an idle mode.

See HOW TO TURN OFF THE CONSOLE on page 13.

HOW TO USE A PRESET PROGRAM

A preset program will automatically change the resistance of the pedals and prompt you to maintain a target pace while guiding you through your workout.

1. Press any button or begin pedaling to activate the console.

See HOW TO ACTIVATE THE CONSOLE on page 13.

2. Select a preset program.

To select one of the twenty-three preset programs, first press the PLATEAU, FOOTHILLS, ALL TERRAIN, INTERVAL, PEAKS, or RANDOM button repeatedly until the name of the desired preset program appears in the main display. A profile of the resistance settings of the program, the maximum resistance level, the program time, and the maximum rpm setting for the program will also appear in the display. Then, press the ENTER button to confirm your selection.



3. Enter your age.

A moment after you select a preset program, the words “ENTER AGE” and an age setting of 35 will flash in the main display. To enter your age, press the increase and decrease buttons beside the ENTER button. Then, press the ENTER button.



4. Enter your weight.

Next, the words “ENTER WEIGHT” and a weight setting of 185 pounds (US) will appear in the main display. To enter your weight (1 kilogram = 2.2 pounds), press the increase and decrease buttons beside the ENTER button. Then, press the ENTER button.



5. Start the program.

Press the START button or begin pedaling to start the program.

Each preset program is divided into 20 or 30 one-minute segments. One resistance level and one target rpm (pace) setting is programmed for each segment. Note: The same resistance setting and/or target rpm may be programmed for consecutive segments.

During the program, the program profile will show your progress (see the drawing to the left). The flashing column of the profile represents the current segment of the program. The height of the flashing column indicates the resistance level for the current segment. At the end of each segment of the program, a series of tones will sound and the next segment of the profile will begin to flash. If a different resistance level is programmed for the next segment, the resistance level will appear in the display for a few seconds to alert you. The resistance of the pedals will then change.

As you exercise, keep your pedaling pace near the target rpm setting for the current segment, which is shown in the main display. **IMPORTANT: The target rpm settings are intended only to provide motivation. Your actual pace may be slower than the target rpm settings. Make sure to pedal at a pace that is comfortable for you.**



If the resistance level for the current segment is too high or too low, you can manually override the setting by pressing the RESISTANCE buttons. However, when the current segment ends, the pedals will automatically adjust to the resistance level for the next segment.

The program will continue in this way until the last segment of the profile flashes. To stop the program at any time, stop pedaling or press the PAUSE button. To resume the program, simply resume pedaling or press the START button. To exit the program at any time, press the CLEAR button.

6. Follow your progress with the displays.

During a preset program, the main display will show the elapsed time, your exercise intensity in METS, the approximate number of calories you have burned, the approximate number of calories you are burning per hour, and the distance you have pedaled. The main display will also show your heart rate when you use the handgrip pulse sensor (see step 5 on page 15) or the optional chest pulse sensor (see page 28).

To view the time, your exercise intensity in METS, and your power output in watts, press the DISPLAY button.

To view the time, the approximate number of calories you have burned, and the distance you have pedaled, press the DISPLAY button again.

To again view the time, your exercise intensity in METS, the approximate number of calories you have burned, the approximate number of calories you are burning per hour, and the distance you have pedaled, press the DISPLAY button again.

7. Measure your heart rate if desired.

See step 5 on page 15.

8. Turn on the fan if desired.

See step 6 on page 15.

9. When you are finished using the elliptical, the console will enter an idle mode.

See HOW TO TURN OFF THE CONSOLE on page 13.

HOW TO CREATE A CUSTOM PROGRAM

A custom program allows you to create your own workouts and store them in memory for future use.

1. Press any button or begin pedaling to activate the console.

See HOW TO ACTIVATE THE CONSOLE on page 13.

2. Select the maintenance mode.

Hold down the CLEAR button and the ENTER button simultaneously for a few seconds to select the maintenance mode. Note: For more information about the maintenance mode, see page 26.

When the maintenance mode is selected, the words "MAINTENANCE MODE SCREEN 1" will appear in the main display. Press the DISPLAY button repeatedly until the words "MAINTENANCE MODE SCREEN 4" and a menu of custom programs appears in the main display. You can now select and change the settings for a custom program.

3. Select a custom program.

To select one of the two custom programs, press the DISPLAY button repeatedly until the name of the desired custom program is highlighted, and then press the ENTER button. The name of the custom program and a profile of the resistance settings for the program will then appear in the main display. The resistance level, the program time, and the target rpm will also appear in the main display.



4. Program the desired program settings.

Each custom workout is divided into 30 one-minute segments. You can program one resistance level and one target rpm (pace) setting for each segment.

To program a resistance level for the first segment, simply adjust the resistance of the pedals by pressing the RESISTANCE increase and decrease buttons or the numbered QUICKTOUCH RESISTANCE buttons.

To program a target rpm setting for the first segment, press the increase and decrease buttons beside the ENTER button. Then, press the ENTER button to move to the next segment of the profile.

Program a resistance level and a target rpm setting for the second segment as described above. Continue to program resistance levels and target rpm settings until all segments of the custom program have been programmed.

Note: While programming segments, press the ENTER button to move to the right in the profile; press the BACK button to move to the left in the profile.

5. Exit the custom program and program other custom programs as desired.

When you program settings for the last segment of the program and press the ENTER button, the console will automatically exit the custom program and return to the menu of custom programs.

Repeat steps 3 and 4 to select and program another custom program, if desired.

6. Exit the maintenance mode.

Press the DISPLAY button repeatedly to exit the maintenance mode. When you exit the maintenance mode, the custom program will be saved in memory.

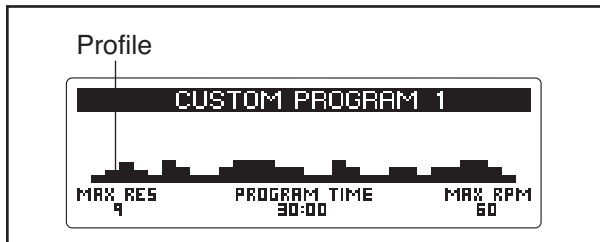
HOW TO USE A CUSTOM PROGRAM

1. Press any button or begin pedaling to activate the console.

See HOW TO ACTIVATE THE CONSOLE on page 13.

2. Select a custom program.

To select one of the two CUSTOM programs, first press the CUSTOM/HEART RATE button repeatedly until the name of the desired custom program appears in the main display. A profile of the resistance settings of the program, the maximum resistance level, the program time, and the maximum rpm setting for the program will also appear in the display. Then, press the ENTER button to confirm your selection.



Note: If only a level row of indicators appears in the program profile, see HOW TO CREATE A CUSTOM PROGRAM on page 20.

3. Enter your age.

A moment after you select a CUSTOM program, the words “ENTER AGE” and an age setting of 35 will flash in the main display. To enter your age, press the increase and decrease buttons beside the ENTER button. Then, press the ENTER button.



4. Enter your weight.

Next, the words “ENTER WEIGHT” and a weight setting of 185 pounds (US) will appear in the main display. To enter your weight (1 kilogram = 2.2 pounds), press the increase and decrease buttons beside the ENTER button. Then, press the ENTER button.



5. Start the program.

Press the START button or begin pedaling to start the program.

Each CUSTOM program is divided into 30 one-minute segments. One resistance setting and one target rpm (pace) is programmed for each segment. Note: The same resistance setting and/or target rpm may be programmed for consecutive segments.

During the program, the program profile will show your progress (see the drawing to the left). The flashing column of the profile represents the current segment of the program. The height of the flashing column indicates the resistance level for the current segment. At the end of each segment of the program, a series of tones will sound and the next segment of the profile will begin to flash. If a different resistance level is programmed for the next segment, the resistance level will appear in the display for a few seconds to alert you. The resistance of the pedals will then change.

As you exercise, keep your pedaling pace near the target rpm setting for the current segment, which is shown in the main display.

IMPORTANT: The target rpm settings are intended only to provide motivation. Your actual pace may be slower than the target rpm settings. Make sure to pedal at a pace that is comfortable for you.



If the resistance level for the current segment is too high or too low, you can manually override the setting by pressing the RESISTANCE buttons. However, when the current segment ends, the pedals will automatically adjust to the resistance level for the next segment.

The program will continue in this way until the last segment of the profile flashes. To stop the program at any time, stop pedaling or press the PAUSE button. To restart the program, simply resume pedaling or press the START button. To exit the program at any time, press the CLEAR button. To change the settings of the custom program, see HOW TO CREATE A CUSTOM PROGRAM on page 20.

6. Follow your progress with the displays.

During a CUSTOM program, the main display will show the elapsed time, your exercise intensity in METS, the approximate number of calories you have burned, the approximate number of calories you are burning per hour, and the distance you have pedaled. The main display will also show your heart rate when you use the handgrip pulse sensor (see step 5 on page 15) or the optional chest pulse sensor (see page 28).

To view the time, your exercise intensity in METS, and your power output in watts, press the DISPLAY button.

To view the time, the approximate number of calories you have burned, and the distance you have pedaled, press the DISPLAY button again.

To again view the time, your exercise intensity in METS, the approximate number of calories you have burned, the approximate number of calories you are burning per hour, and the distance you have pedaled, press the DISPLAY button again.

7. Measure your heart rate if desired.

See step 5 on page 15.

8. Turn on the fan if desired.

See step 6 on page 15.

9. When you are finished using the elliptical, the console will enter an idle mode.

See HOW TO TURN OFF THE CONSOLE on page 13.

HOW TO USE A HEART RATE PROGRAM

The CONSTANT HEART RATE program will automatically control the resistance of the pedals to keep your heart rate near a target level during your workout.

The VARIABLE HEART RATE program will automatically control the resistance of the pedals to keep your heart rate within a target range during your workout.

1. Press any button or begin pedaling to activate the console.

See HOW TO ACTIVATE THE CONSOLE on page 13.

2. Select a HEART RATE program.

To select one of the two HEART RATE programs, first press the CUSTOM/HEART RATE button repeatedly until the name of the desired heart rate program appears in the main display. A profile of the resistance settings of the program, the maximum resistance level, the program time, and the maximum rpm setting for the program will also appear in the display. Then, press the ENTER button to confirm your selection.

3. Enter a maximum heart rate setting.

A moment after you select a HEART RATE program, the words “ENTER MAXIMUM PERCENTAGE” and a percentage setting of 65 will flash in the main display. The maximum heart rate setting represents a *percentage* of your *estimated maximum heart rate*. Note: Your maximum heart rate is estimated by subtracting your age from 220. For example, if you are 30 years old, your estimated maximum heart rate is 190 beats per minute ($220 - 30 = 190$). Therefore, if you are 30 years old, a target heart rate setting of 50% is equal to 95 beats per minute (50% of 190 is 95).

To enter a maximum heart rate setting, press the increase and decrease buttons beside the ENTER button. Then, press the ENTER button.

4. Start the program.

Press the START button or begin pedaling to start the program.

Each HEART RATE program is divided into 30 one-minute segments. One target heart rate setting is programmed for each segment. Note: If you selected the CONSTANT HEART RATE program, the same target heart rate setting is programmed for all segments.

During the program, the program profile will show your progress. The console will regularly compare your heart rate to the target heart rate setting for the current segment of the workout. If your heart rate is too far below or above the target heart rate setting, the resistance of the pedals will automatically increase or decrease to bring your heart rate closer to the target heart rate setting. Each time the resistance changes, the resistance level will appear in the display for a few seconds to alert you.

You will also be prompted to pedal at a steady pace so you can maintain your target heart rate. As you exercise, keep your pedaling pace near the target rpm setting for the current segment, which is shown in the main display. **IMPORTANT: The target rpm settings are intended only to provide motivation. Your actual pace may be slower than the target rpm settings. Make sure to pedal at a pace that is comfortable for you.**



The program will continue in this way until the last segment of the profile flashes. To stop the program at any time, stop pedaling or press the PAUSE button. To resume the program, simply resume pedaling or press the START button. To exit the program at any time, press the CLEAR button.

25. Follow your progress with the displays.

During a HEART RATE program, the main display will show the elapsed time, your exercise intensity in METS, the approximate number of calories you have burned, the approximate number of calories you are burning per hour, and the distance you have pedaled. The main display will also show your heart rate when you use the handgrip pulse sensor (see step 5 on page 15) or the optional chest pulse sensor (see page 28).

To view the time, your exercise intensity in METS, and your power output in watts, press the DISPLAY button.

To view the time, the approximate number of calories you have burned, and the distance you have pedaled, press the DISPLAY button again.

To again view the time, your exercise intensity in METS, the approximate number of calories you have burned, the approximate number of calories you are burning per hour, and the distance you have pedaled, press the DISPLAY button again.

6. Measure your heart rate if desired.

See step 5 on page 15.

7. Turn on the fan if desired.

See step 6 on page 15.

8. When you are finished using the elliptical, the console will enter an idle mode.

See HOW TO TURN OFF THE CONSOLE on page 13.

HOW TO USE THE CONSTANT WATTS PROGRAM

1. Press any button or begin pedaling to activate the console.

See HOW TO ACTIVATE THE CONSOLE on page 13.

2. Select the CONSTANT WATTS program.

To select the CONSTANT WATTS program, first press the CUSTOM/HEART RATE button repeatedly until the name of the custom watts program appears in the main display.

3. Enter your age.

A moment after you select the CONSTANT WATTS program, the words "ENTER AGE" and an age setting of 35 will flash in the main display. To enter your age, press the increase and decrease buttons beside the ENTER button. Then, press the ENTER button.

4. Enter your weight.

Next, the words "ENTER WEIGHT" and a weight setting of 185 pounds (US) will appear in the main display. To enter your weight (1 kilogram = 2.2 pounds), press the increase and decrease buttons beside the ENTER button. Then, press the ENTER button.

5. Enter a program time.

The words "ENTER WORKOUT TIME" and a time setting of 30 minutes will appear in the main display. To change the length of time that the program will last, press the increase and decrease buttons beside the ENTER button. You can enter a program time between 10 and 90 minutes. Then, press the ENTER button.

6. Enter a target watts setting.

Then, the words "ENTER TARGET WATTS" and a watts setting will flash in the main display.

To enter a target watts setting, press the increase and decrease buttons beside the ENTER button. Then, press the ENTER button.

7. Start the program.

Press the START button or begin pedaling to start the program.

The CONSTANT WATTS program is divided into one-minute segments.

During the program, the program profile will show your progress. The console will regularly compare your power output to the target watts setting.

If your power output is too far below or above the target watts setting, the resistance of the pedals will automatically increase or decrease to bring your power output closer to the target watts setting. Each time the resistance changes, the resistance level will appear in the display for a few seconds to alert you.

The program will continue in this way until the last segment of the profile flashes. To stop the program at any time, stop pedaling or press the PAUSE button. To resume the program, simply resume pedaling or press the START button. To exit the program at any time, press the CLEAR button.

8. Follow your progress with the displays.

During the CONSTANT WATTS program, the main display will show the elapsed time, your exercise intensity in METS, the approximate number of calories you have burned, the approximate number of calories you are burning per hour, and the distance that you have pedaled. The main display will also show your heart rate when you use the handgrip pulse sensor (see step 5 on page 15) or the optional chest pulse sensor (see page 28).

To view the time, your exercise intensity in METS, and your power output in watts, press the Display button.

To view the time, the approximate number of calories you have burned, and the distance that you have pedaled, press the DISPLAY button again.

To again view the time, your exercise intensity in METS, the approximate number of calories you have burned, the approximate number of calories you are burning per hour, and the distance that you have pedaled, press the DISPLAY button again.

9. Measure your heart rate if desired.

See step 5 on page 15.

10. Turn on the fan if desired.

See step 6 on page 15.

11. When you are finished using the elliptical, the console will enter an idle mode.

See HOW TO TURN OFF THE CONSOLE on page 13.

HOW TO USE THE COOL DOWN MODE

The COOL DOWN mode is designed to help you cool down after you have finished exercising. Press the COOL DOWN button to use the COOL DOWN mode.

The COOL DOWN mode is divided into three one-minute segments. The cool down mode will work in the same way as a preset program (see step 5 on pages 18 to 19).

HOW TO USE THE MAINTENANCE MODE

The console features a maintenance mode that allows you to access usage information and to view and change default settings.

1. Press any button or begin pedaling to activate the console.

See HOW TO ACTIVATE THE CONSOLE on page 13.

2. Select the maintenance mode.

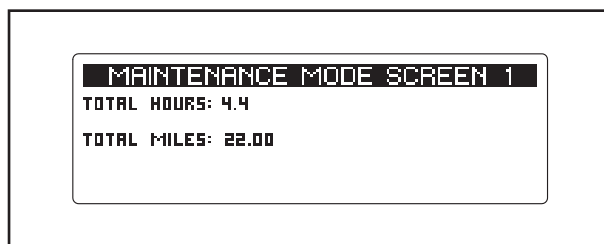
Hold down the Clear button and the Enter button simultaneously for a few seconds to select the maintenance mode.

When the maintenance mode is selected, the words "MAINTENANCE MODE SCREEN 1" will appear in the main display.

Note: As you view the maintenance mode screens, press the BACK button at any time to return to the previous screen.

3. View usage information for the elliptical.

When the words "MAINTENANCE MODE SCREEN 1" appear, the main display will show the total number of hours that the elliptical has been used and the total distance that the elliptical has been pedaled.



4. Change the time settings if desired.

Press the DISPLAY button. When the words "MAINTENANCE MODE SCREEN 2" appear, the main display will allow you to set a maximum program time for the programs and a default time for the pause timeout.

The maximum program time for the programs can be from 10 minutes to 90 minutes. To change the maximum program time, press the increase and decrease buttons beside the ENTER button. Then, press the DISPLAY button.

If the pedals on the elliptical do not move for a period of time, a pause timeout will occur and the console will enter an idle mode. When the console is in the idle mode, the displays will be reset to zeros and a screen saver will appear in the main display.

The pause timeout can occur from 1 minute to 5 minutes after the pedals stop moving. To change the length of time that will elapse before the pause timeout, press the increase and decrease buttons beside the ENTER button.

5. Change the console settings if desired.

Press the Display button again. When the words "MAINTENANCE MODE SCREEN 3" appear, the main display will allow you to set a default input and a default volume level.

You can set the default input for the console as MP3, TV, or RCA. To change the default input, press the increase and decrease buttons beside the ENTER button. Then, press the DISPLAY button. Note: Some models of the elliptical have an optional Workout TV. The TV and RCA input options are for use with the optional Workout TV.

The console has several volume levels. To change the volume level, press the increase and decrease buttons beside the ENTER button.

6. Select a language for the main display.

Press the Display button again. The main display may be able to display text messages in other languages. To change the language, press the increase and decrease buttons beside the ENTER button. Then press the DISPLAY button.

7. Change the settings for a custom program if desired.

Press the Display button again. When the words "MAINTENANCE MODE SCREEN 4" appear, the main display will allow you to select and change the settings for a custom program.

To change the settings for a custom program, see HOW TO CREATE A CUSTOM PROGRAM on page 20.

8. Exit the maintenance mode.

Press the Display button to exit the maintenance mode

HOW TO USE AN IFIT WORKOUT

iFit cards are available separately. To purchase iFit cards, go to www.iFit.com or see the back cover of this manual. iFit cards are also available at select stores.

1. Press any button or begin pedaling to activate the console.

See HOW TO ACTIVATE THE CONSOLE on page 13.

2. Insert an iFit card and select a workout.

To use an iFit workout, insert an iFit card into the iFit slot, which is located on the rear right-hand side of the console. The iFit card should slide easily into the slot. If it does not, turn the iFit card and try again.

iFit workouts function in the same way as preset workouts. To use the workout, see steps 5 to 9 on page 18 to 19. Note: Some iFit cards contain more than one workout. To select a workout, use the increase and decrease buttons located next to the ENTER button.

3. When you are finished exercising, remove the iFit card.

Remove the iFit card when you are finished exercising. Store the iFit card in a secure place.

HOW TO USE THE SOUND SYSTEM

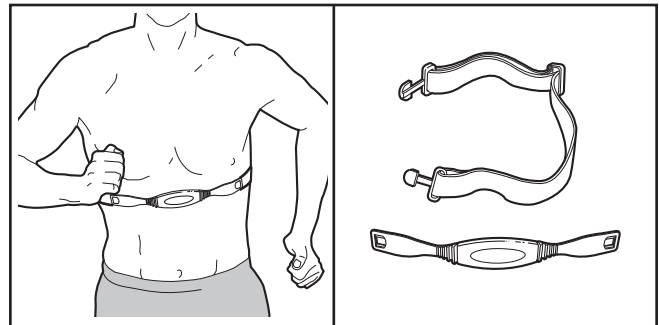
To play music or audio books through the console sound system while you exercise, plug an audio cable (not included) into the MP3 jack on the console and into a jack on your MP3 player or CD player; **make sure that the audio cable is fully plugged in.**

Next, press the play button on your MP3 player or CD player. Adjust the volume of the speakers using the volume control on your MP3 player or CD player.

You can use your own headphones with an iFit workout (see HOW TO USE AN IFIT WORKOUT to the left). To use your headphones, plug the jack on your headphones into the headphones jack on the console; **make sure that the headphones jack is fully plugged in.**

THE OPTIONAL CHEST PULSE SENSOR

The optional chest pulse sensor provides hands-free operation and continuously monitors your heart rate during your workouts. **To purchase the optional chest pulse sensor, see the back cover of this manual.**



MAINTENANCE AND TROUBLESHOOTING

If you have questions about maintenance or troubleshooting, see the back cover of this manual.

Inspect and tighten all parts of the elliptical regularly. Replace any worn parts immediately.

To clean the elliptical, use a damp cloth and a small amount of mild soap. Make sure to regularly clean the track wheels and the track frame on which the track wheels ride. **IMPORTANT: To avoid damage to the console, keep liquids away from the console and keep the console out of direct sunlight.**

HANDGRIP PULSE SENSOR TROUBLESHOOTING

If the console does not display your heart rate when you hold the handgrip pulse sensor, or if the displayed heart rate appears to be too high or too low, see step 5 on page 15.

HOW TO LEVEL THE ELLIPTICAL

If the elliptical rocks slightly on your floor during use, see HOW TO LEVEL THE ELLIPTICAL on page 10.

EXERCISE GUIDELINES

⚠ WARNING: Before beginning this or any exercise program, consult your physician. This is especially important for persons over the age of 35 or persons with pre-existing health problems.

The pulse sensor is not a medical device. Various factors may affect the accuracy of heart rate readings. The pulse sensor is intended only as an exercise aid in determining heart rate trends in general.

These guidelines will help you to plan your exercise program. For detailed exercise information, obtain a reputable book or consult your physician. Remember, proper nutrition and adequate rest are essential for successful results.

EXERCISE INTENSITY

Whether your goal is to burn fat or to strengthen your cardiovascular system, exercising at the proper intensity is the key to achieving results. You can use your heart rate as a guide to find the proper intensity level. The chart below shows recommended heart rates for fat burning and aerobic exercise.

165	155	145	140	130	125	115	♥
145	138	130	125	118	110	103	♥
125	120	115	110	105	95	90	♥
<hr/>							
20	30	40	50	60	70	80	

To find the proper intensity level, find your age at the bottom of the chart (ages are rounded off to the nearest ten years). The three numbers listed above your age define your “training zone.” The lowest number is the heart rate for fat burning, the middle number is the heart rate for maximum fat burning, and the highest number is the heart rate for aerobic exercise.

Burning Fat—To burn fat effectively, you must exercise at a low intensity level for a sustained period of time. During the first few minutes of exercise, your body uses *carbohydrate calories* for energy. Only after the first few minutes of exercise does your body begin to use stored *fat calories* for energy. If your goal is to burn fat, adjust the intensity of your exercise until your heart rate is near the lowest number in your training zone. For maximum fat burning, exercise with your heart rate near the middle number in your training zone.

Aerobic Exercise—If your goal is to strengthen your cardiovascular system, you must perform aerobic exercise, which is activity that requires large amounts of oxygen for prolonged periods of time. For aerobic exercise, adjust the intensity of your exercise until your heart rate is near the highest number in your training zone.

WORKOUT GUIDELINES

Warming Up—Start with 5 to 10 minutes of stretching and light exercise. A warm-up increases your body temperature, heart rate, and circulation in preparation for exercise.

Training Zone Exercise—Exercise for 20 to 30 minutes with your heart rate in your training zone. (During the first few weeks of your exercise program, do not keep your heart rate in your training zone for longer than 20 minutes.) Breathe regularly and deeply as you exercise—never hold your breath.

Cooling Down—Finish with 5 to 10 minutes of stretching. Stretching increases the flexibility of your muscles and helps to prevent post-exercise problems.

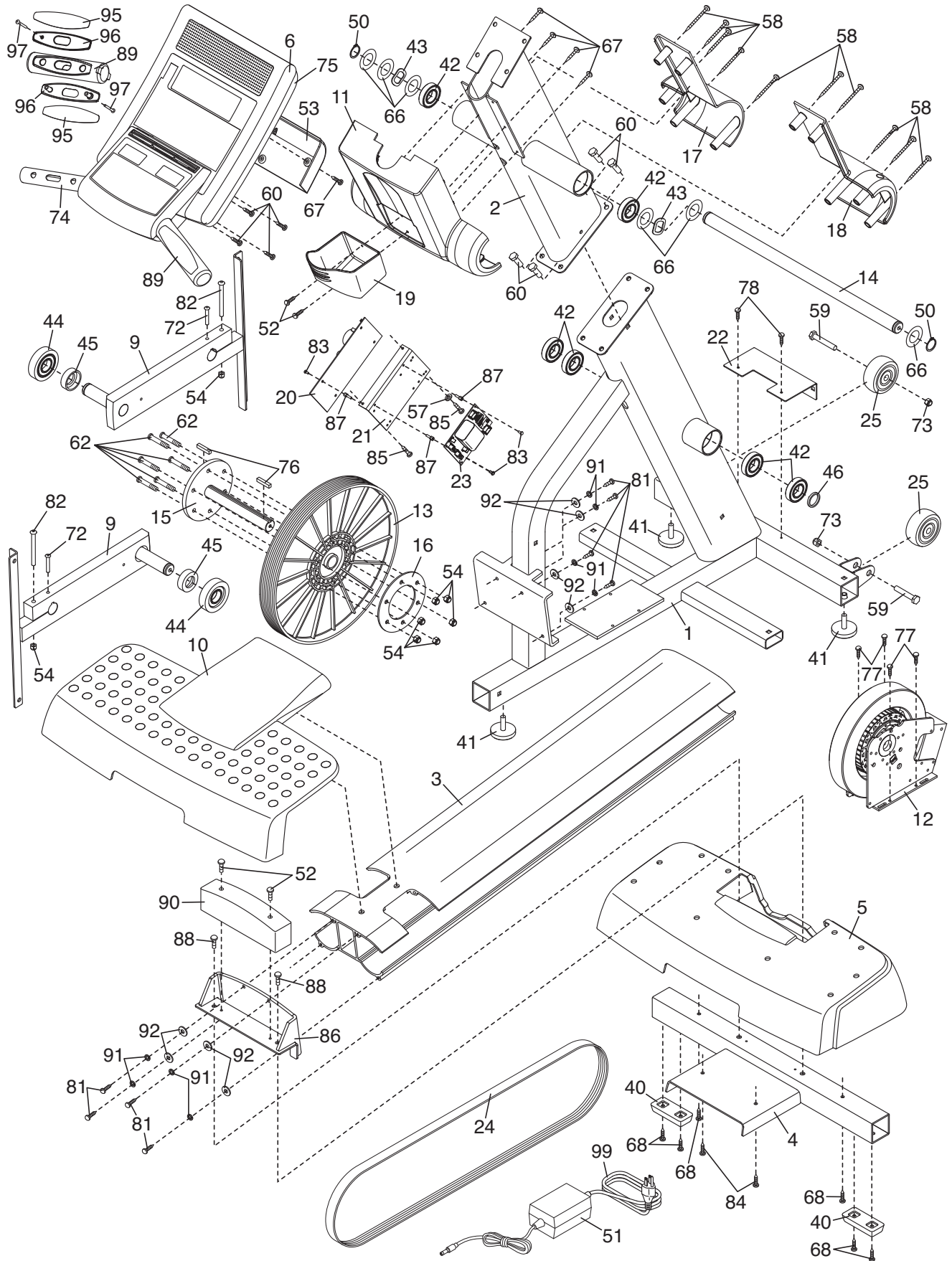
EXERCISE FREQUENCY

To maintain or improve your condition, complete three workouts each week, with at least one day of rest between workouts. After a few months of regular exercise, you may complete up to five workouts each week, if desired. Remember, the key to success is to make exercise a regular and enjoyable part of your everyday life.

Key No.	Qty.	Description	Key No.	Qty.	Description
1	1	Frame	45	2	14mm Spacer
2	1	Upright	46	1	Large Washer
3	1	Track Frame	47	6	11mm Round Cap
4	1	Rear Stabilizer	48	4	Wheel Bushing
5	1	Rear Stabilizer Cover	49	2	Handgrip
6	1	Console	50	10	Snap Ring
7	1	Left Frame Cover	51	1	Power Adapter
8	1	Right Frame Cover	52	6	M4 x 15mm Screw
9	2	Crank Arm	53	1	Console Back Cover
10	1	Rear Stabilizer Overlay	54	10	M8 Locknut
11	1	Upright Cover	55	2	Track Cap
12	1	Generator	56	8	5mm Bushing
13	1	Pulley	57	1	M4 Washer
14	1	Handlebar Axle	58	10	M4 x 50mm Screw
15	1	Pulley Axle	59	2	M12 x 60mm Bolt
16	1	Axle Plate	60	8	M8 x 20mm Screw
17	1	Left Handlebar Cover	61	2	M6 Large Washer
18	1	Right Handlebar Cover	62	6	M8 x 42mm Bolt
19	1	Water Bottle Holder	63	2	M8 x 32mm Screw
20	1	Power Board	64	6	M10 x 20mm Screw
21	1	Power Board Bracket	65	4	M8 x 40mm Bolt
22	1	Frame Cover Bracket	66	6	Thrust Washer
23	1	Battery Pack	67	17	M4 x 10mm Screw
24	1	Drive Belt	68	23	M6 x 20mm Screw
25	2	Transport Wheel	69	3	M6 x 140mm Screw
26	2	Track Arm	70	6	M6 x 100mm Screw
27	1	Left Pedal Leg	71	2	M6 x 40mm Screw
28	1	Right Pedal Leg	72	2	M6 x 25mm Screw
29	1	Left Handlebar Leg	73	2	M12 Locknut
30	1	Left Pedal	74	1	Console Handlebar
31	1	Right Pedal	75	1	Console Back
32	1	Right Handlebar Leg	76	2	Key
33	2	Handlebar Foam	77	4	M5 x 15mm Screw
34	1	Left Handlebar	78	2	M4 x 14mm Screw
35	1	Right Handlebar	79	2	M6 x 60mm Screw
36	1	Right Shield	80	2	Track Wheel
37	1	Left Shield	81	8	M6 x 30mm Hex Bolt
38	2	Pedal Disc	82	2	M8 x 80mm Bolt
39	1	Shield Cover	83	16	M3 x 6mm Screw
40	2	Rear Stabilizer Foot	84	4	M6 x 13mm Screw
41	3	Frame Foot	85	2	M4 x 14mm Screw
42	10	25mm Bearing	86	1	Stabilizer Bracket
43	8	Wave Washer	87	8	M3 Stand-off
44	8	Bushing	88	2	M8 x 60mm Screw

Key No.	Qty.	Description	Key No.	Qty.	Description
89	2	Pulse Grip	*	—	User's Manual
90	1	Stabilizer Block	*	—	Assembly Tool
91	8	M6 Split Washer	*	—	Power Receptacle
92	8	M6 Washer	*	—	Right Pulse Wire
93	12	M5 Washer	*	—	Left Pulse Wire
94	12	M4 Split Washer	*	—	Console Wire
95	4	Pulse Sensor Contact	*	—	CN-3 Jumper Wire
96	4	Grip Insert	*	—	Ground Wire
97	4	M4 x 25mm Screw	*	—	CN-2 Generator Wire
98	4	M8 Acorn Nut	*	—	CN-1 Generator Wire
99	1	Power Cord			

Note: Specifications are subject to change without notice. For information about ordering replacement parts, see the back cover of this manual. *These parts are not illustrated.



HOW TO CONTACT CUSTOMER CARE

If you have questions after reading this manual, or if parts are damaged or missing, **please contact the store where you purchased this product.** If you are unable to contact the store, contact Customer Care at one of the phone numbers or addresses listed below. **Please note the model number, serial number, and name of the product (see the front cover of this manual) before contacting Customer Care. If you are ordering replacement parts, please also note the key number and description of each part (see the PART LIST and the EXPLODED DRAWING near the end of this manual).**

In the United States

Call: 1-866-799-8946, Mon.–Fri. 8 a.m.–5 p.m. MT
Email: fmfvcustomerservice@freemotionfitness.com

Write:

FreeMotion Fitness
1500 South 1000 West
Logan, UT 84321-9813
United States

Outside the United States

Call: 001-435-786-3521
Email: intlcustomercare@freemotionfitness.com

LIMITED WARRANTY

FreeMotion Fitness warrants this product to be free from defects in workmanship and material under normal use and service conditions. The warranty period commences on the invoice date of purchase. Any parts repaired or replaced during this warranty period will be warranted for the remainder of the original warranty period.

WARRANTY PERIODS AND COVERAGE

Residential	Light Commercial
Frame: Lifetime	Frame: Lifetime
Parts: 3 years	Parts: 2 years
Labor: 2 years	Labor: 1 year

Light commercial use is defined as a non-dues-paying institutional setting to include hotels, apartment fitness centers, corporate fitness centers, fire/police stations, and hospital/physical therapy settings. This product is not intended to be used in large, heavy-use settings such as health clubs, colleges/universities, community centers, or military installations. Use of this product in such facilities will void this warranty.

CONDITIONS AND LIMITATIONS

The following will void the warranty on this product:

1. This warranty applies only to the original owner and is non-transferable.
2. The labor warranty applies only to products sold in the US and Canada. Contact your authorized FreeMotion Fitness dealer for details on labor coverage in your country
3. Any misuse, abuse, or improper service
4. Users in excess of 350 lbs. (159 kg) in weight.
5. Damage caused by moving the product or improper storage including moving or storing the product on its side.

6. Use or storage of the product outdoors or in high-humidity environments including spa and pool areas.
7. Damage caused by improper wiring or insufficient electrical current.

This warranty shall not apply to the following:

1. Cosmetic items including grips, decals, and labels.
2. Pick-up and delivery or freight charges involved with a repair.
3. Any problem as a result of improper assembly or delivery.

WHAT TO DO IF SERVICE IS REQUIRED

FreeMotion Fitness warranty service may be obtained by contacting the authorized dealer from which you purchased this product. Make sure to retain your original invoice and serial number information. If this product experiences a failure under the warranty terms set forth, FreeMotion Fitness shall provide at their option either repair, replacement, or refund of the purchase price. FreeMotion Fitness compensates service providers for warranty trips within their service area. You may be charged additionally for service calls beyond this service area.

FreeMotion Fitness is not responsible or liable for indirect, special, or consequential damages arising out of or in connection with the use or performance of the product; damages with respect to any economic loss, loss of property, loss of revenues or profits, loss of enjoyment or use, or cost of removal or installation; or other consequential damages. Some states do not allow the exclusion or limitation of consequential damages. Accordingly, the above limitation may not apply to you. This warranty gives you specific rights, and you may have other rights that vary from state to state.

TO CONTACT FREEMOTION FITNESS

See HOW TO CONTACT CUSTOMER CARE above.