

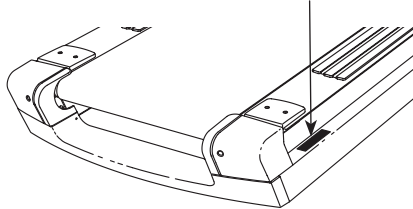
FREEMOTION® t 7.4

Model No. VMTL34808.1

Serial No. _____

Write the serial number in the space above for reference.

Serial Number Decal

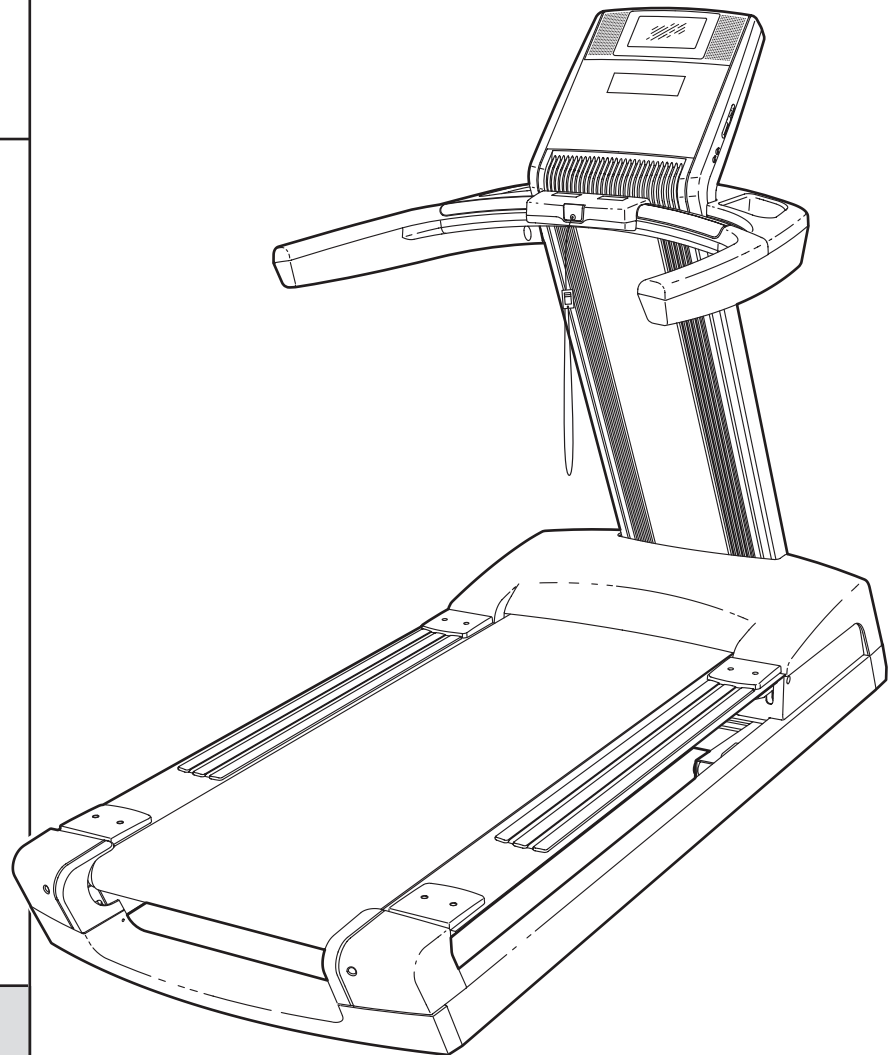


USER'S MANUAL

QUESTIONS?

If you have questions, or if parts are damaged or missing, **PLEASE CONTACT THE STORE WHERE YOU PURCHASED THIS PRODUCT.**

If you are unable to contact the store, see HOW TO CONTACT CUSTOMER CARE on the back cover of this manual.



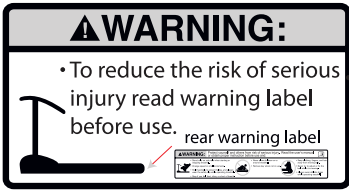


CAUTION

Read all precautions and instructions in this manual before using this equipment. Save this manual for future reference.

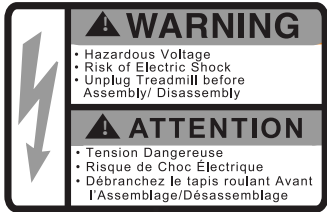
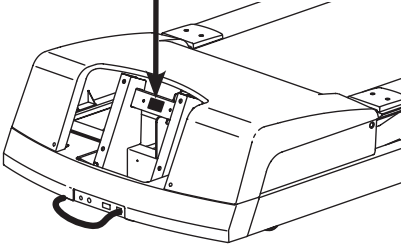
TABLE OF CONTENTS

WARNING DECAL PLACEMENT	2
IMPORTANT PRECAUTIONS	3
BEFORE YOU BEGIN	6
ASSEMBLY	7
THE CHEST HEART RATE MONITOR	13
OPERATION AND ADJUSTMENT	14
HOW TO MOVE THE TREADMILL	31
PREVENTIVE MAINTENANCE	32
SIX-MONTH PREVENTIVE MAINTENANCE RECORD	36
TROUBLESHOOTING	37
EXERCISE GUIDELINES	40
PART LIST	42
EXPLODED DRAWING	44
HOW TO CONTACT CUSTOMER CARE	Back Cover
LIMITED WARRANTY	Back Cover

WARNING DECAL PLACEMENT

These drawings show the locations of the warning decals. **If a decal is missing or illegible, see the back cover of this manual and request a free replacement decal. Apply the decal in the location shown.** Note: The decals may not be shown at actual size.

IMPORTANT PRECAUTIONS

⚠️ WARNING: To reduce the risk of serious injury, read all important precautions and instructions in this manual and all warnings on your treadmill before using your treadmill. FreeMotion Fitness assumes no responsibility for personal injury or property damage sustained by or through the use of this product.

1. Before beginning this or any exercise program, consult your physician. This is especially important for persons over age 35 or persons with pre-existing health problems.
2. It is the responsibility of the owner to ensure that all users of this treadmill are adequately informed of all warnings and precautions.
3. Use the treadmill only as described.
4. Place the treadmill on a level surface, with at least 8 ft. (2.4 m) of clearance behind it and 2 ft. (0.6 m) on each side. Do not place the treadmill on any surface that blocks air openings. To protect the floor or carpet from damage, place a mat under the treadmill.
5. Keep the treadmill indoors, away from moisture and dust. Do not put the treadmill in a garage or covered patio, or near water.
6. Do not operate the treadmill where aerosol products are used or where oxygen is being administered.
7. Keep children under age 12 and pets away from the treadmill at all times.
8. The treadmill should be used only by persons weighing 400 lbs. (181 kg) or less.
9. Never allow more than one person on the treadmill at a time.
10. Wear appropriate exercise clothes when using the treadmill. Do not wear loose clothes that could become caught in the treadmill. Athletic support clothes are recommended for both men and women. *Always wear athletic shoes. Never use the treadmill with bare feet, wearing only stockings, or in sandals.*
11. Plug the power cord into a surge suppressor (not included), and plug the surge suppressor into an appropriate outlet (see page 14). To avoid overloading the circuit, do not plug other electrical devices, except for low-power devices such as cell phone chargers, into the surge suppressor or into an outlet on the same circuit.
12. Use only a surge suppressor that meets all of the specifications described on page 14. To purchase a surge suppressor, see your local FREEMOTION dealer, call the telephone number on the back cover of this manual, or see your local electronics store.
13. Failure to use a properly functioning surge suppressor could result in damage to the control system of the treadmill. If the control system is damaged, the walking belt may slow, accelerate, or stop unexpectedly, which may result in a fall and serious injury.
14. Keep the power cord and the surge suppressor away from heated surfaces.
15. Never move the walking belt while the power is turned off. Do not operate the treadmill if the power cord or plug is damaged, or if the treadmill is not working properly. (See TROUBLESHOOTING on page 37 if the treadmill is not working properly.)
16. Read, understand, and test the emergency stop procedure before using the treadmill (see HOW TO TURN ON THE POWER on page 17).
17. Never start the treadmill while you are standing on the walking belt. Always hold the handrails while using the treadmill.

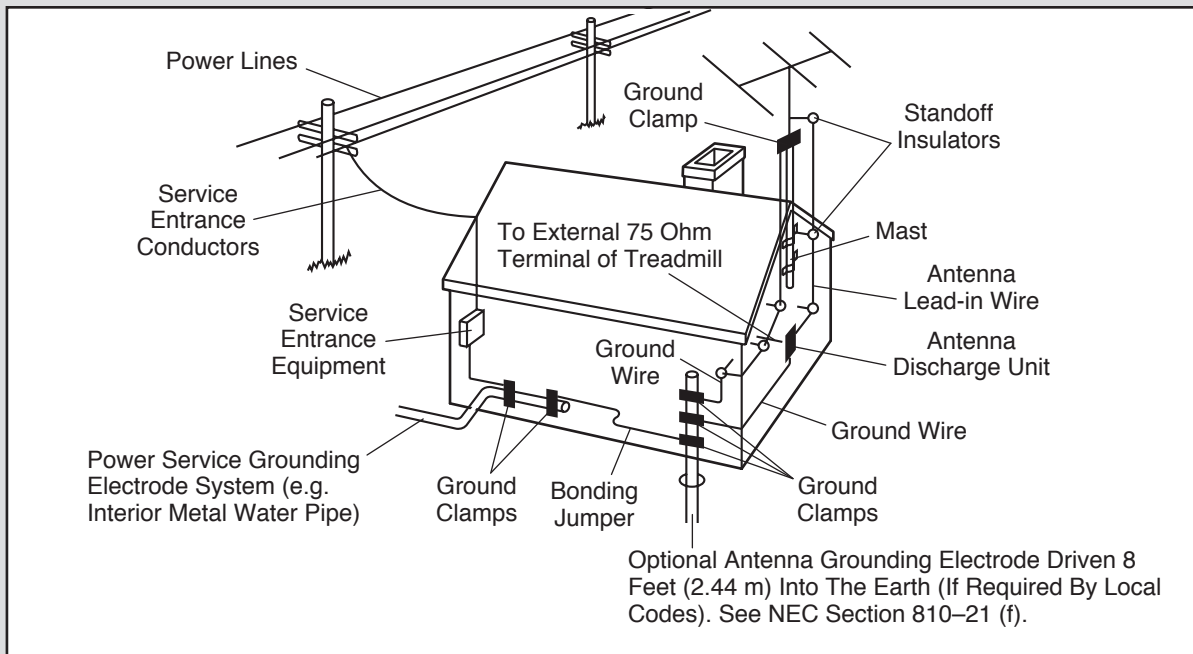
18. The treadmill is capable of high speeds. Adjust the speed in small increments to avoid sudden jumps in speed.
19. The heart rate monitor is not a medical device. Various factors, including the user's movement, may affect the accuracy of heart rate readings. The heart rate monitor is intended only as an exercise aid in determining heart rate trends in general.
20. Never leave the treadmill unattended while it is running. Always remove the key, press the power switch into the off position (see the drawing on page 6 for the location of the power switch), and unplug the power cord when the treadmill is not in use.
21. Do not attempt to move the treadmill until it is properly assembled. (See ASSEMBLY on page 7, and HOW TO MOVE THE TREADMILL on page 31.) You must be able to safely lift 45 lbs. (20 kg) to move the treadmill.
22. Do not change the incline of the treadmill by placing objects under the treadmill.
23. Inspect and properly tighten all parts of the treadmill regularly.
24. Never insert or drop any object into any opening on the treadmill.
25. **DANGER:** Always unplug the power cord immediately after use, before cleaning the treadmill, and before performing the maintenance and adjustment procedures described in this manual. Never remove the motor hood unless instructed to do so by an authorized service representative. Servicing other than the procedures in this manual should be performed by an authorized service representative only.
26. The treadmill is intended for light commercial and home use only. Do not use the treadmill in any commercial, rental, or institutional setting.
27. Over exercising may result in serious injury or death. If you feel faint or if you experience pain while exercising, stop immediately and cool down.
28. Do not store the television in temperatures below -40° F (-40° C) or above 140° F (60° C). Do not operate the television in temperatures below 23° F (-5° C) or above 90° F (32° C).
29. To protect the treadmill and television during lightning storms, unplug the power cord from the wall outlet and disconnect the cable system. This will prevent damage due to lightning and power line surges.
30. If an outside antenna or cable system is connected, be sure that the antenna or cable system is grounded to provide some protection against voltage surges and built-up static charges. Section 810 of the National Electrical Code, ANSI/NFPA No. 70-1984, or your local codes and ordinances provide information with respect to proper grounding of the mast and supporting structure, grounding of the lead-in wire to an antenna discharge unit, size of grounding conductors, location of antenna discharge unit, connection to grounding electrodes, and requirements for the grounding electrode.
31. An outside antenna system should not be located in the vicinity of overhead power lines or other electric light or power circuits, or where it can fall into such power lines or circuits. When installing an outside antenna system, extreme care should be taken to keep from touching such power lines or circuits, as contact with them might be fatal.
32. To reduce the risk of electric shock, do not remove the cover or the back of the television. There are no user serviceable parts inside. Refer servicing to qualified service personnel.

33. Upon completion of any service or repairs to the treadmill or the television, ask the service technician to perform safety checks to confirm that the unit is in proper operating condition.

- Use No. 10 AWG (5.3 mm²) copper, No. 8 AWG (8.4 mm²) aluminum, No. 17 AWG (1.0 mm²) copper-clad steel or bronze wire, or larger as a ground wire.
- Secure an antenna lead-in and ground wires to the house with stand-off insulators spaced from 4 to 6 feet (1.22 to 1.83 m) apart.
- Mount an antenna discharge unit as close as possible to where the lead-in enters the house.

- Use a jumper wire not smaller than No. 6 AWG (13.3 mm²) copper, or the equivalent when a separate antenna-grounding electrode is used. See NEC Section 810-21 (j) or your local codes and ordinances.

Note to CATV system installer: This reminder is provided to call the CATV system installer's attention to Article 820-40 of the NEC or your local codes and ordinances that provide guidelines for proper grounding and, in particular, specifies that the cable ground shall be connected to the grounding system of the building, as close to the point of cable entry as practical.



SAVE THESE INSTRUCTIONS

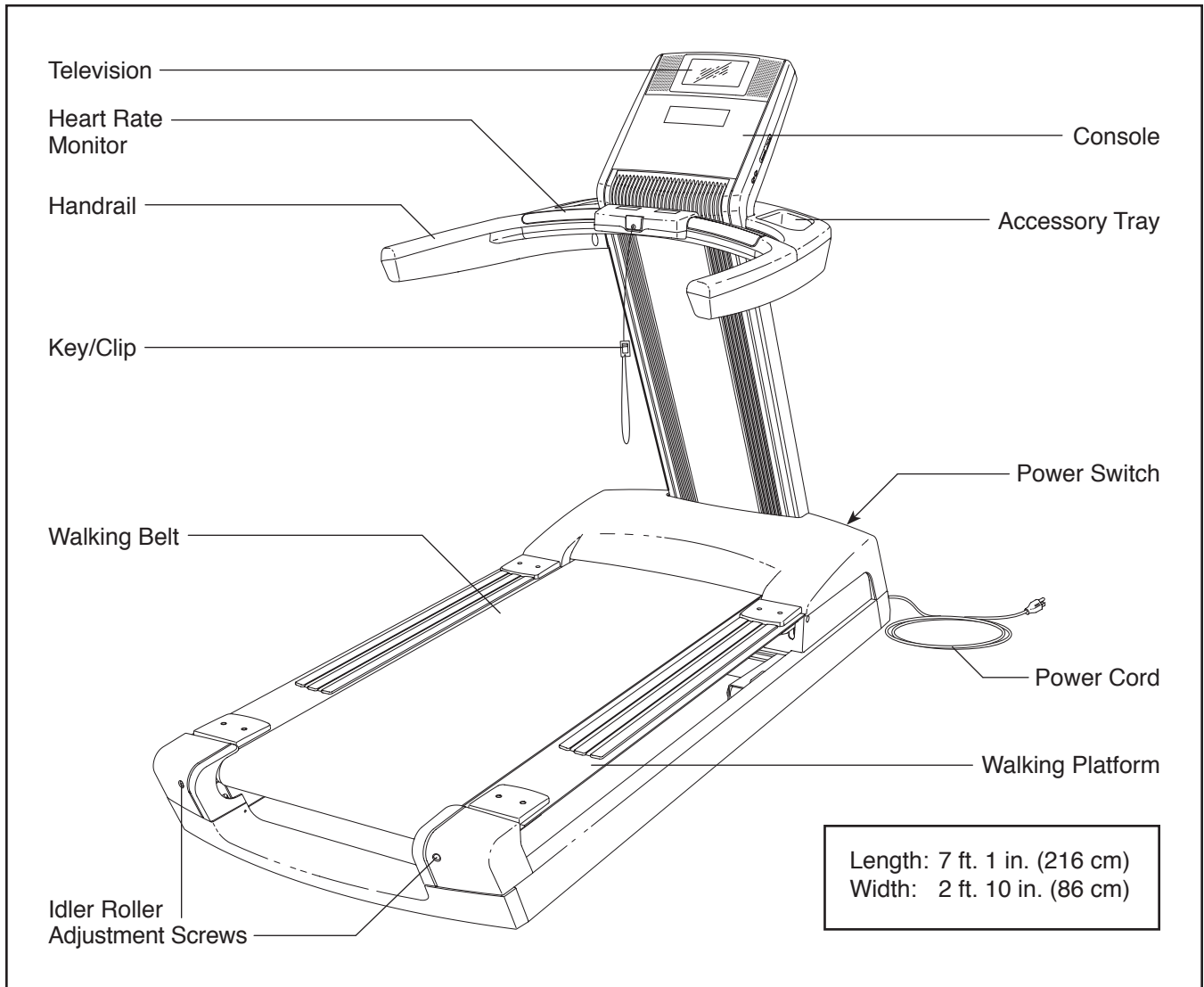
BEFORE YOU BEGIN

Thank you for selecting the revolutionary FREEMOTION® T7.4 treadmill. The T7.4 treadmill offers an impressive selection of features designed to make your workouts at home more enjoyable and effective.

For your benefit, read this manual carefully before using the treadmill. If you have questions after reading this manual, please see the back cover of this

manual. To help us assist you, note the product model number and serial number before contacting us. The model number and serial number are found on the serial number decal. The location of the serial number decal is shown on the front cover of this manual.

Before reading further, please review the drawing below and familiarize yourself with the labeled parts.

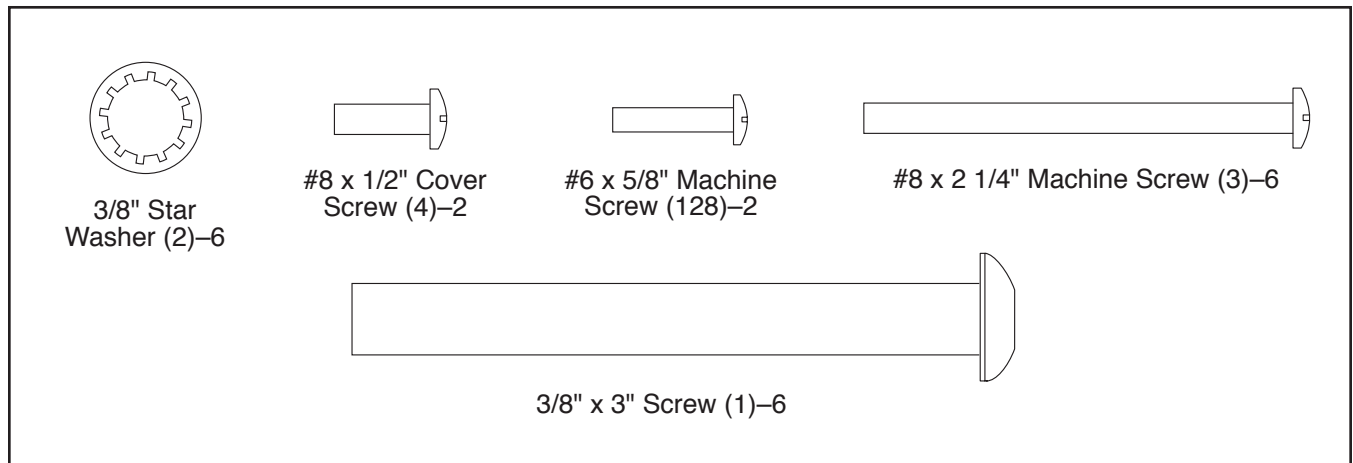


ASSEMBLY

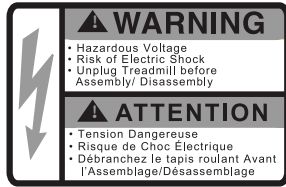
Assembly requires two persons. Set the treadmill in a cleared area and remove all packing materials. **Do not dispose of the packing materials until assembly is completed.** Note: After shipping, there may be an oily substance on the exterior of the treadmill. This is normal and does not affect treadmill performance. If there is an oily substance on the treadmill, simply wipe it off with a soft cloth and a mild, non-abrasive cleaner.

Assembly requires the included hex key  and your own Phillips screwdriver .

Use the drawings below to identify the assembly hardware. The number in parentheses below each drawing is the key number of the part, from the PART LIST near the end of this manual. The number after the parentheses is the quantity needed for assembly. **Note: If a part is not in the hardware kit, check to see if it is preattached. To avoid damaging plastic parts, do not use power tools for assembly. Extra hardware may be included.**

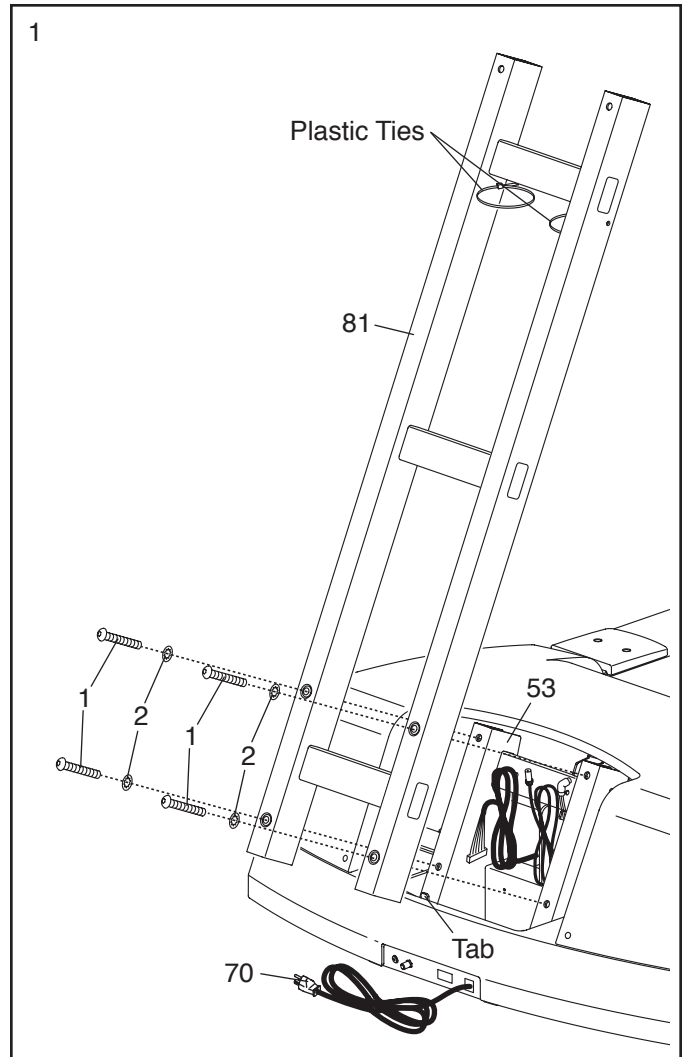


1. Make sure that the Power Cord (70) is unplugged. Be careful not to pinch the Power Cord.

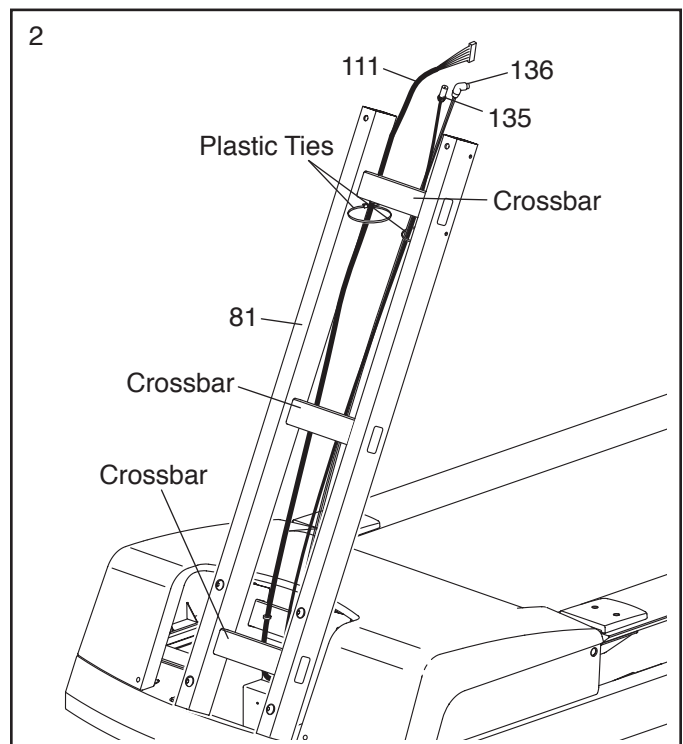


Slide the Upright Cover (not shown) off the Upright (81).

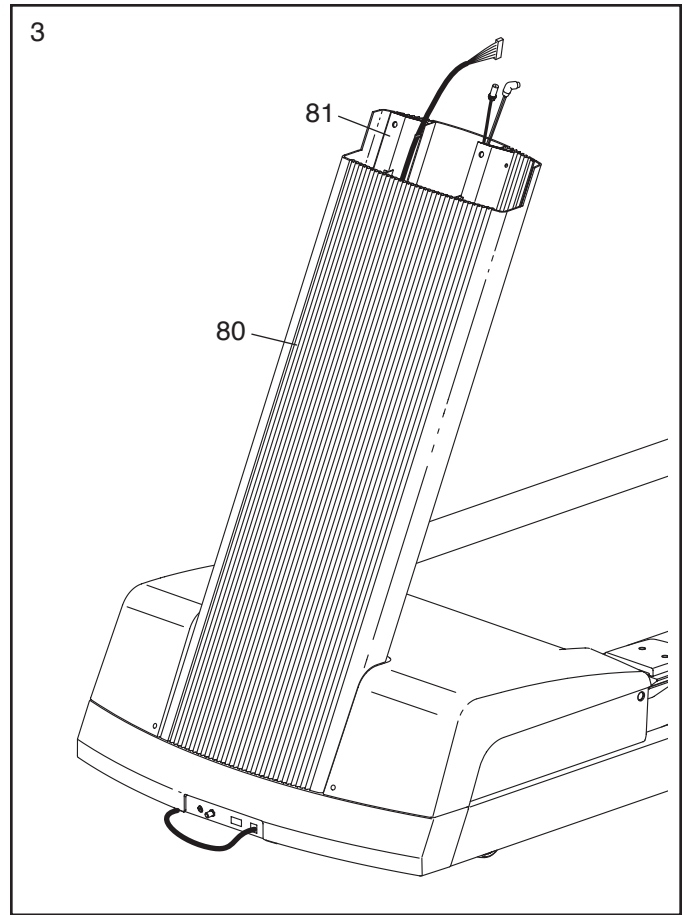
Orient the Upright (81) and the plastic ties as shown. Set the Upright on the tabs on the Frame (53). Attach the Upright to the Frame with four 3/8" x 3" Screws (1) and four 3/8" Star Washers (2). **Start all four Screws before tightening them. Be careful not to pinch any wires.**



2. Insert the end of the Upright Wire (111), the 60" TV Cable (135), and the 60" AV Wire (136) through the looped plastic ties at the top of the Upright (81). **Make sure that the wires are behind the crossbars on the Upright.** Then, gently pull upward on the wires as you tighten the plastic ties around the wires.

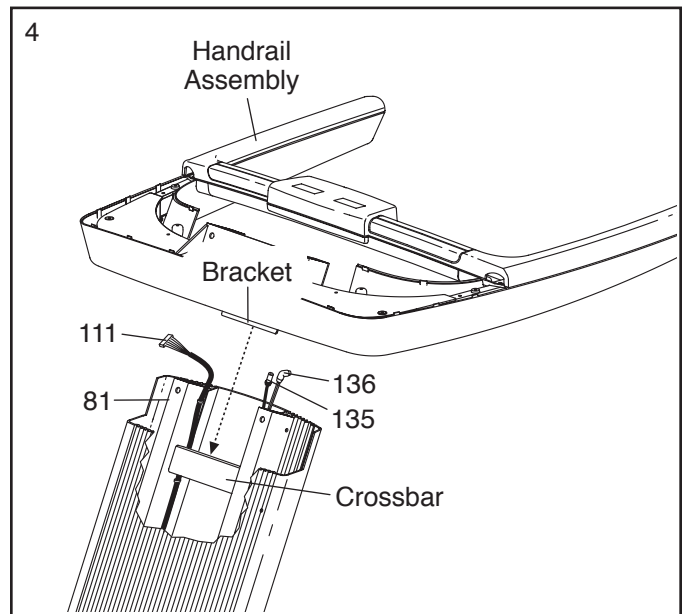


- Slide the Upright Cover (80) downward onto the Upright (81). **Be careful not to pinch the wires.** **Be careful not to hit the ceiling.**



- Have a second person hold the handrail assembly near the Upright (81). Insert the Upright Wire (111), the 60" TV Cable (135), and the 60" AV Wire (136) upward through the center of the handrail assembly.

Slide the bracket on the handrail assembly over the crossbar on the Upright (81) and set the handrail assembly on the Upright. **Be careful not to pinch any wires.**



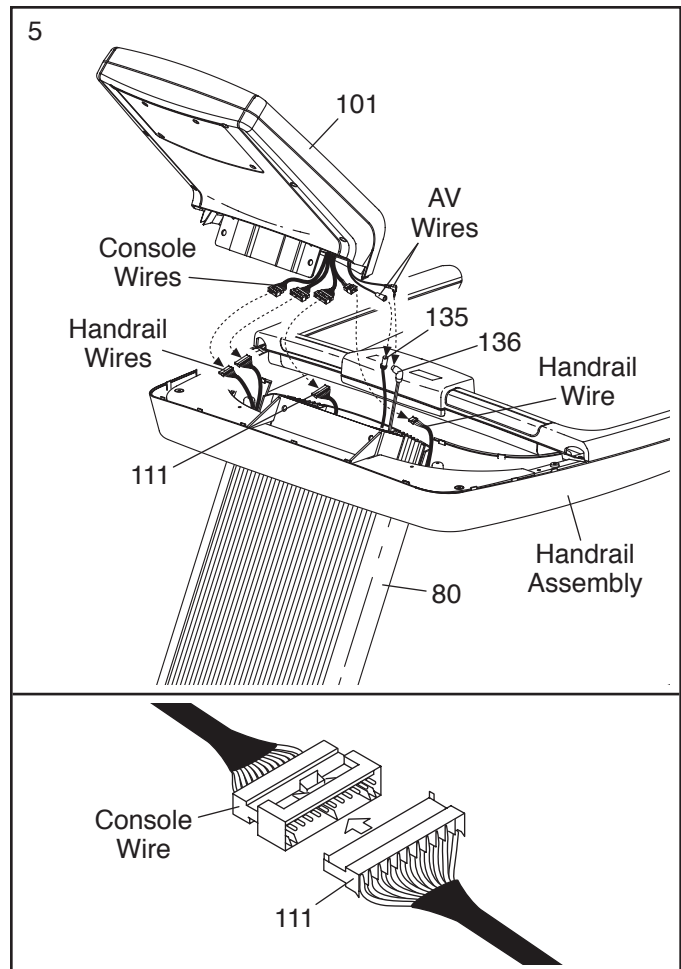
5. Have a second person hold the Console (101) near the handrail assembly.

Gently pull the ends of the Upright Wire (111) out of the Upright Cover (80). Connect the Upright Wire and the handrail wires to the console wires. Make sure that the console wire and the handrail wire that you are connecting have connectors that are the same size. **See the lower drawing. The connectors should slide together easily and snap into place.** If they do not, turn one connector and then try again. **IF THE CONNECTORS ARE NOT CONNECTED PROPERLY, THE CONSOLE MAY BE DAMAGED WHEN THE POWER IS TURNED ON.**

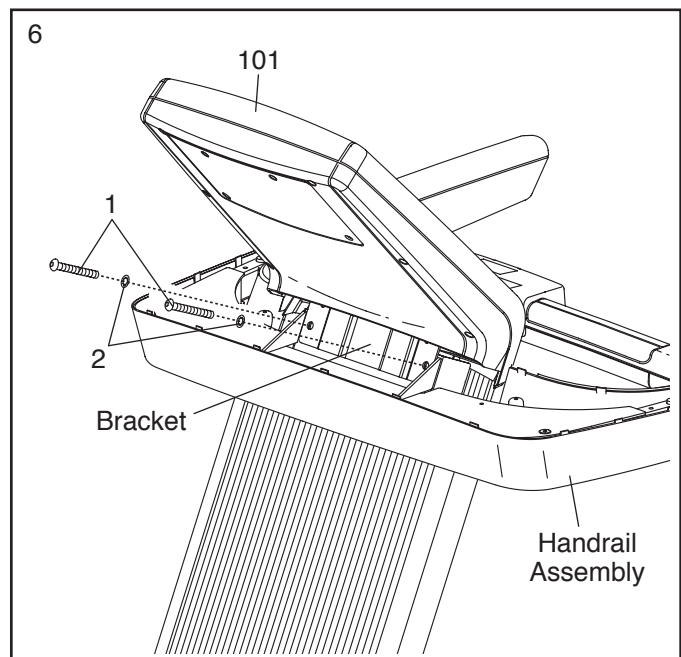
Gently pull the ends of the 60" TV Cable (135) and the 60" AV Wire (136) out of the Upright Cover (80). Connect the wires to the AV wires extending from the Console (101).

Insert the excess wires downward into the Upright Cover (80).

Set the Console (101) on the handrail assembly. **Be careful not to pinch any wires.**

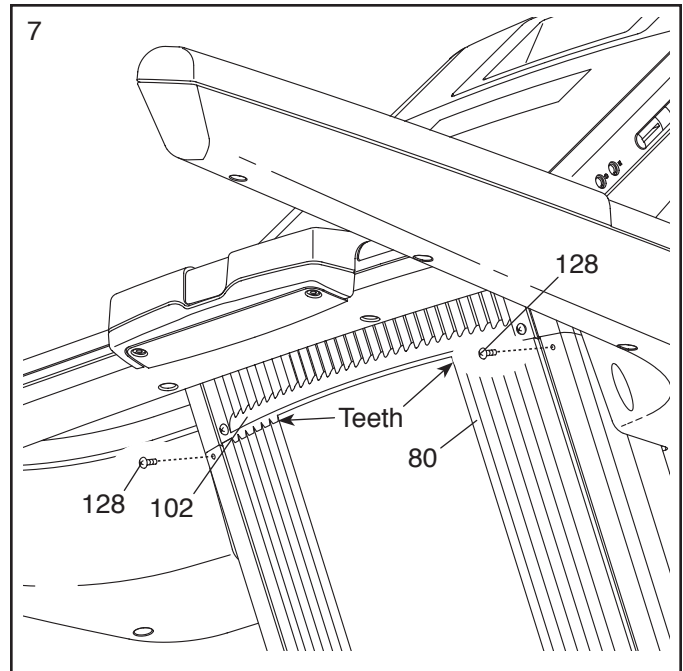


6. Align the holes in the Console (101) with the holes in the handrail assembly and the holes in the Upright (not shown). Attach the Console and the handrail assembly to the Upright with two 3/8" x 3" Screws (1) and two 3/8" Star Washers (2). **Do not fully tighten the Screws yet. Note: It may be helpful to press the indicated bracket against the Upright and to press down on the Console to align the holes.**

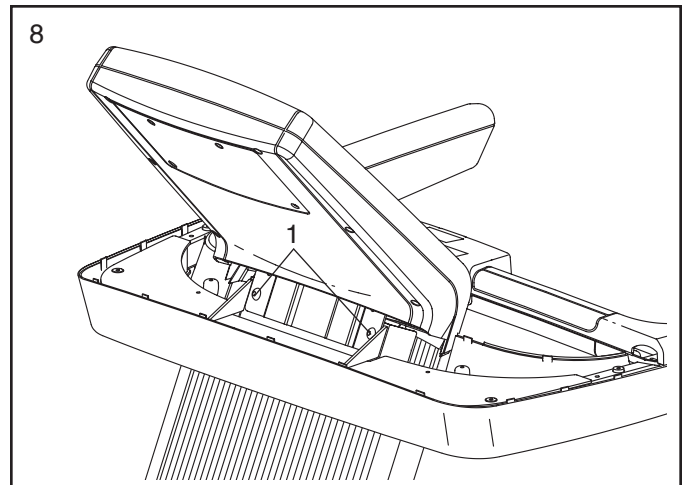


7. **Make sure that the teeth on the Fan Grill (102) are on the outside of the Upright Cover (80) and sit inside the grooves on the Upright Cover.**

Tighten two #6 x 5/8" Machine Screws (128) into the Upright Cover (80) in the locations shown. **Be careful not to overtighten the Machine Screws.**

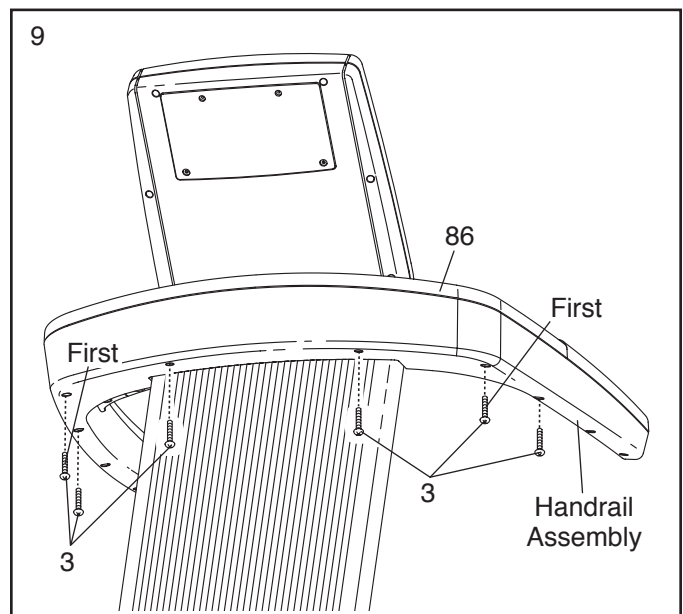


8. Tighten the two 3/8" x 3" Screws (1).



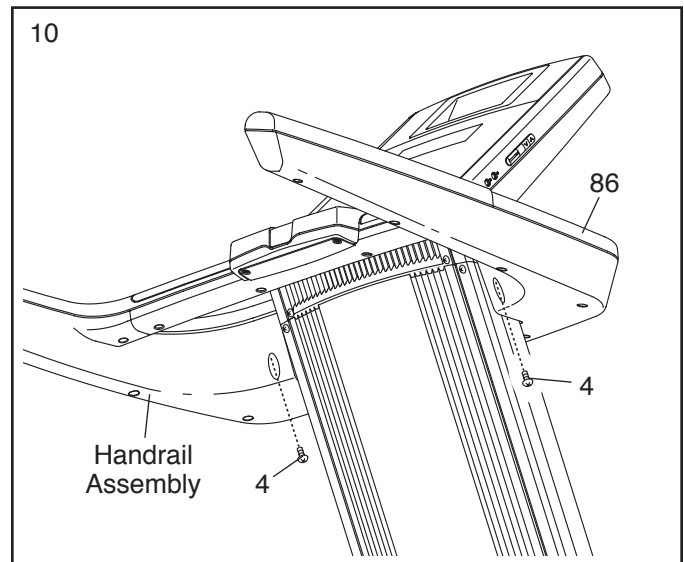
9. Remove the packaging from the Handrail Cover (86).

Attach the Handrail Cover (86) to the handrail assembly with six #8 x 2 1/4" Machine Screws (3). **Start all six Machine Screws but do not tighten them yet. Start the indicated Machine Screws first.**



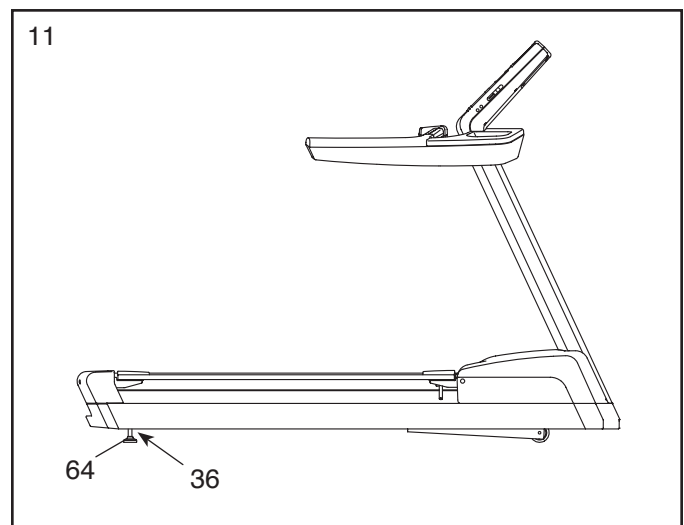
10. Tighten two #8 x 1/2" Cover Screws (4) into the bottom of the handrail assembly. **Be careful not to overtighten the Cover Screws.**

See step 9. Tighten the six #8 x 2 1/4" Machine Screws (3). **Be careful not to overtighten the Machine Screws.**

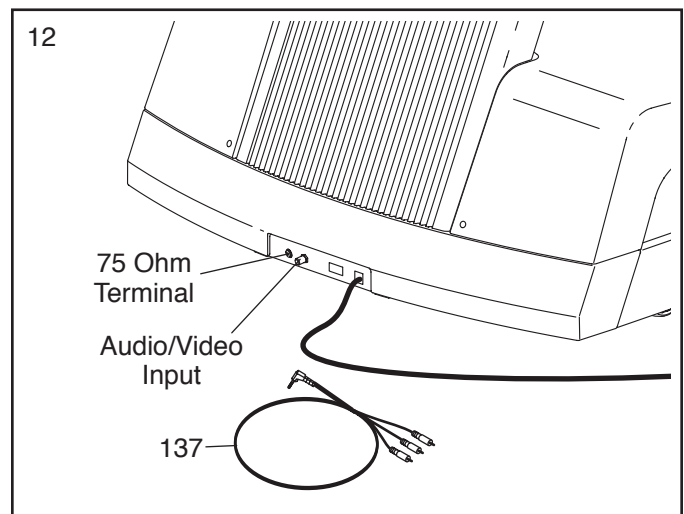


11. If necessary, move the treadmill to the desired location (see HOW TO MOVE THE TREADMILL on page 31).

After the treadmill is placed in the location where it will be used, make sure that the Leveling Feet (64) rest firmly on the floor. If the treadmill rocks even slightly, loosen one of the 1/2" Nuts (36), turn the Leveling Foot clockwise or counterclockwise until the rocking motion is eliminated, and retighten the Nut.



12. Note the location of the 75 ohm terminal and the audio/video input jack on the treadmill. For the television to operate, the 96" AV Cable (137) must be connected to the audio/video input jack on the treadmill or a CATV cable must be connected to the 75 ohm terminal (see page 13).



13. **Make sure that all parts are properly tightened before you use the treadmill.** If there are sheets of plastic on the treadmill decals, remove the plastic. To protect the floor or carpet, place a mat under the treadmill. Note: Extra hardware may be included. Keep the included hex key in a secure place; the hex key is used to adjust the walking belt (see pages 37 and 38).

THE CHEST HEART RATE MONITOR

HOW TO PUT ON THE HEART RATE MONITOR

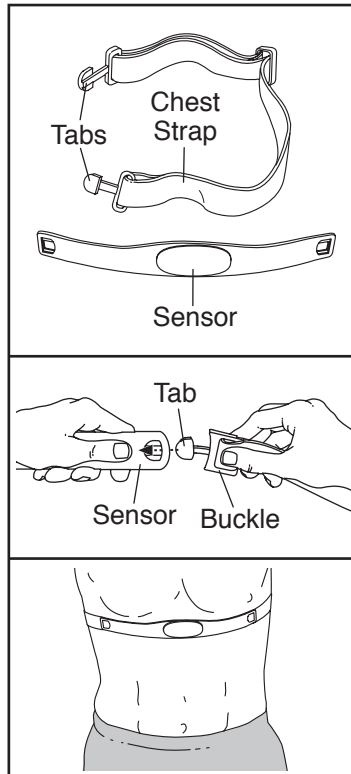
The heart rate monitor consists of a chest strap and a sensor. Insert the tab on one end of the chest strap into the hole in one end of the sensor as shown. Then, press the end of the sensor under the buckle on the chest strap. The tab should be flush with the front of the sensor.

The heart rate monitor must be worn under your clothes, tight against your skin. Wrap the heart rate monitor around your chest in the location shown. Make sure that the logo is right-side-up. Then, attach the other end of the chest strap to the sensor. Adjust the length of the chest strap, if necessary.

Pull the sensor away from your body a few inches and locate the two electrode areas, which are covered by shallow ridges. Using saline solution such as saliva or contact lens solution, wet the electrode areas. Then, return the sensor to a position against your chest.

CARE AND MAINTENANCE

- Thoroughly dry the sensor with a soft towel after each use. Moisture may keep the sensor activated, shortening the life of the battery.
- Store the heart rate monitor in a warm, dry place. Do not store the heart rate monitor in a plastic bag or other container that may trap moisture.



- Do not expose the heart rate monitor to direct sunlight for extended periods of time; do not expose it to temperatures above 122° F (50° C) or below 14° F (-10° C).
- Do not excessively bend or stretch the sensor when using or storing the heart rate monitor.
- To clean the sensor, use a damp cloth and a small amount of mild soap. Then, wipe the sensor with a damp cloth and thoroughly dry it with a soft towel. Never use alcohol, abrasives, or chemicals to clean the sensor. Hand wash and air dry the chest strap.

TROUBLESHOOTING

If the heart rate monitor does not function properly, try the steps below.

- Make sure that you are wearing the heart rate monitor as described at the left. If the heart rate monitor does not function when positioned as described, move it slightly lower or higher on your chest.
- If heart rate readings are not displayed until you begin perspiring, rewet the electrode areas.
- For the console to display heart rate readings, you must be within arm's length of the console.
- If there is a battery cover on the back of the sensor, replace the battery with a new battery of the same type.
- The heart rate monitor is designed to work with people who have normal heart rhythms. Heart rate reading problems may be caused by medical conditions such as premature ventricular contractions (pvc's), tachycardia bursts, and arrhythmia.
- The operation of the heart rate monitor can be affected by magnetic interference from high power lines or other sources. If you suspect that magnetic interference is causing a problem, try relocating the fitness equipment.

OPERATION AND ADJUSTMENT

HOW TO CONNECT THE POWER CORD

Use a Surge Suppressor

Your treadmill, like other electronic equipment, can be damaged by sudden voltage changes in your home's power. Voltage surges, spikes, and noise interference can result from weather conditions or from other appliances being turned on or off. **To decrease the risk of damaging the treadmill, always use a surge suppressor with the treadmill. To purchase a surge suppressor, see precaution 12 on page 3.**

Use only a surge suppressor that is UL 1449 listed as a transient voltage surge suppressor (TVSS). The surge suppressor must have a UL suppressed voltage rating of 400 volts or less and a minimum surge dissipation of 450 joules. The surge suppressor must also be electrically rated for 120 volts AC and 15 amps. There must be a monitoring light on the surge suppressor to indicate whether it is functioning properly. **Failure to use a properly functioning surge suppressor could result in damage to the control system of the treadmill and serious injury to users.**

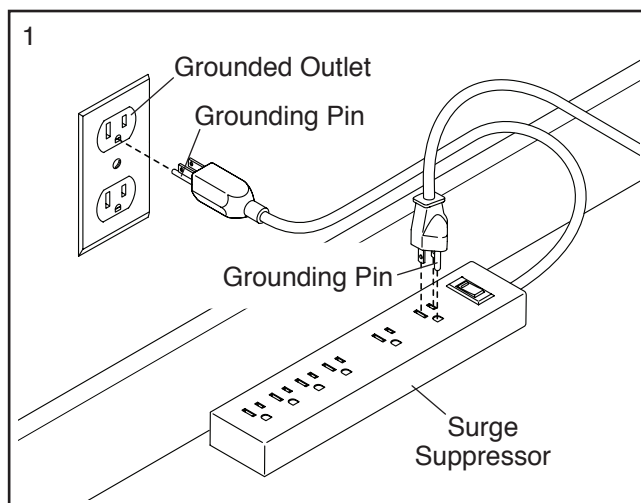
Plug in the Power Cord

The treadmill must be grounded. If it should malfunction or break down, grounding provides a path of least resistance for electric current to reduce the risk of electric shock. The treadmill power cord has a plug with a grounding pin (see drawing 1 on this page).

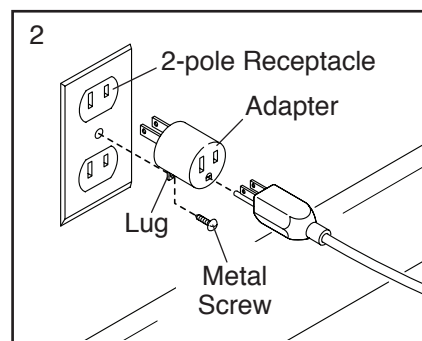
⚠ DANGER: Improper connection of the power cord increases the risk of electric shock. Do not modify the plug—if it will not fit an outlet, have a proper outlet installed by a qualified electrician. If you are unsure whether the treadmill is properly grounded, contact a qualified electrician.

Plug the power cord into a surge suppressor, and plug the surge suppressor into an appropriate outlet that is properly installed and grounded in accordance with all local codes and ordinances. **The outlet must be on a**

nominal 120-volt circuit capable of carrying 15 or more amps. To avoid overloading the circuit, do not plug other electrical devices, except for low-power devices such as cell phone chargers, into the surge suppressor or into an outlet on the same circuit. **IMPORTANT: The treadmill is not compatible with GFCI-equipped outlets and may not be compatible with AFCI-equipped outlets.**



A temporary adapter may be used to connect the surge suppressor to a 2-pole receptacle if a properly grounded outlet is not available.

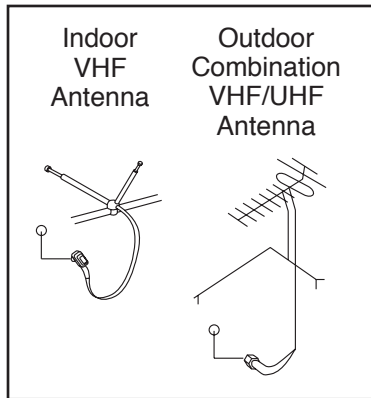


The lug or wire extending from the adapter must be connected with a metal screw to a permanent ground such as a properly grounded outlet box cover. **Some 2-pole receptacle outlet box covers are not grounded. Before using an adapter, contact a qualified electrician to determine whether the outlet box cover is grounded. The temporary adapter should be used only until a properly grounded outlet can be installed by a qualified electrician.**

Before operating the television, you must connect an antenna or a 75 ohm CATV cable to the 75 ohm terminal or the 96" AV Cable to the audio/video input jack. Note: Use a CATV cable to connect to an external source such as a cable box, satellite TV box, VCR, or analog cable. No CATV cable, antenna, or adapter is included.

HOW TO CONNECT AN ANTENNA

Place an indoor VHF antenna or an outdoor combination VHF/UHF antenna in the desired location. Outdoor antennas are subject to weathering that can reduce signal quality. Inspect your outdoor antenna and the lead-in wiring before connecting the antenna.



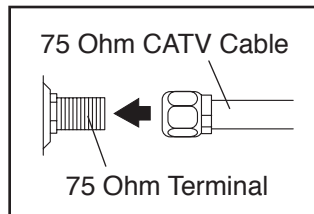
Note: Due to an FCC requirement, analog signals are no longer broadcast over the air in the United States as of June 12, 2009. If you wish to view television signals through an antenna, you must have an antenna capable of receiving digital signals. Cable television was not affected.

HOW TO CONNECT AN EXTERNAL SOURCE USING A CATV CABLE

1. Connect one end of a 75 ohm CATV cable to the 75 ohm output jack on your external source.
2. Plug in the power cord of your external source. See your external source user's manual for proper grounding instructions.
3. Connect the 75 ohm CATV cable to the 75 ohm terminal on the treadmill frame near the power cord. See the drawing at the left.

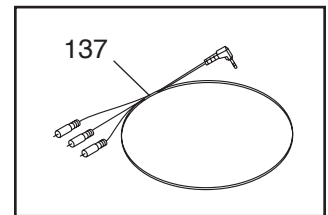
75 Ohm CATV Cable

1. Connect the 75 ohm CATV cable from the antenna to the 75 ohm terminal on the treadmill frame near the power cord.



HOW TO CONNECT A VCR OR DVD PLAYER USING THE 96" AV CABLE

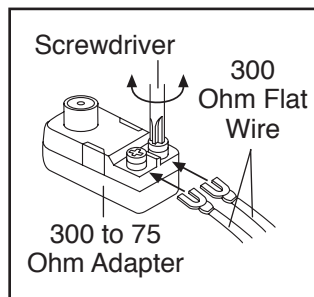
1. Connect the three-pronged end of the 96" AV Cable (137) to your VCR or DVD player.



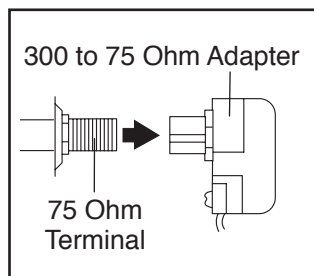
2. Plug in the power cord of your VCR or DVD player. See your VCR or DVD player user's manual for proper grounding instructions.
3. Connect the 96" AV Cable to the audio/video input jack on the treadmill frame near the power cord.

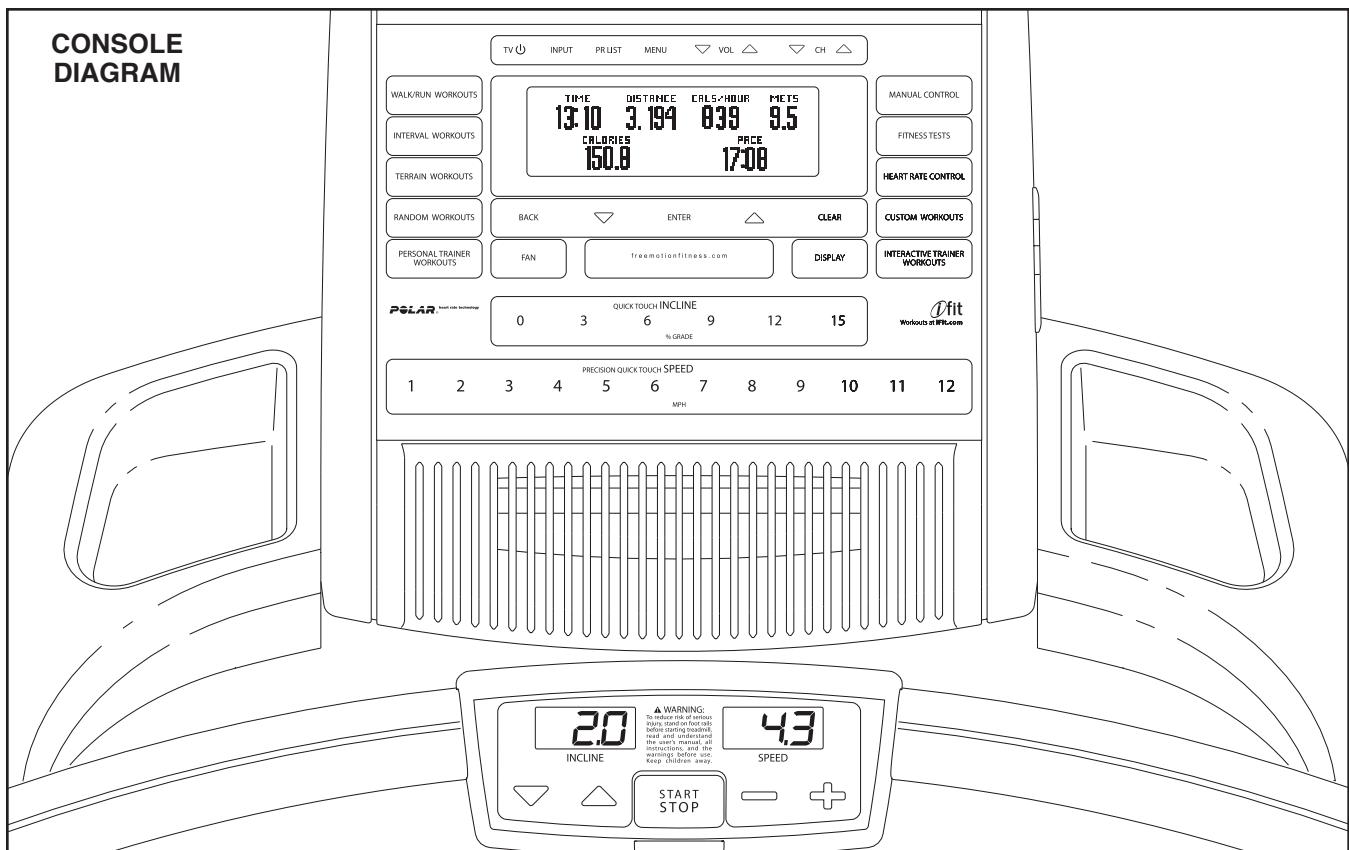
300 Ohm Flat Wire

1. Connect the 300 ohm flat wire from the antenna to a 300 ohm to 75 ohm adapter.



2. Push the 300 ohm to 75 ohm adapter onto the 75 ohm terminal on the treadmill frame near the power cord.





FEATURES OF THE CONSOLE

The treadmill console offers an impressive array of features designed to make your workouts more effective and enjoyable. When you use the manual mode of the console, you can change the speed and incline of the treadmill with the touch of a button. As you exercise, the console will display continuous exercise feedback. You can even measure your heart rate using the hand-grip heart rate monitor or the chest heart rate monitor (see page 13 for information about the chest heart rate monitor).

In addition, the console features fourteen personal trainer workouts. Each preset workout automatically controls the speed and incline of the treadmill as it guides you through an effective exercise session.

The console also offers twelve interactive trainer workouts that allow you to customize your workout. The interactive trainer workouts include three heart rate workouts that control the speed and incline of the treadmill to keep your heart rate near the target heart rate settings. In addition, three fitness test workouts measure your fitness level or your VO₂ max.

The console also features the new iFit interactive workout system. The iFit system is compatible with iFit interactive workout cards containing workouts designed

to help you achieve specific fitness goals. For example, lose unwanted pounds with the iFit Weight Loss workout, or train for a long-distance run with the iFit Marathon workout. iFit workouts automatically control the speed and incline of the treadmill. **To purchase iFit cards, please see the back cover of this manual or go to www.iFit.com. iFit cards are also available at select stores.**

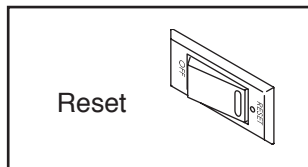
Whether you select the manual mode or a workout, you can enjoy the shows of your choice on the personal television while you get in shape. You can also listen to your favorite workout music or audio books with the console's premium stereo sound system.

To turn on the power, see page 17. To use the manual mode, see page 17. To use a personal trainer workout, see page 19. To use a walk/run workout or a manual control workout, see page 21. To use a fitness test workout, see page 22. To use a heart rate workout, see page 23. To use a custom workout, see page 24. To use an iFit workout, see page 25. To operate the personal television, see page 26. To use the remote control, see page 27. To replace the batteries in the remote control, see page 27. To adjust the television settings, see page 28. To use the maintenance mode, see page 30. To use the stereo sound system, see page 30.

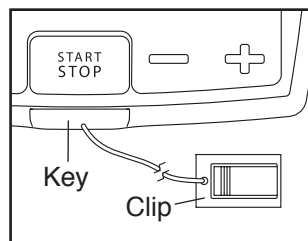
HOW TO TURN ON THE POWER

IMPORTANT: If the treadmill has been exposed to cold temperatures, allow it to warm to room temperature before turning on the power. If you do not do this, you may damage the console displays or other electrical components.

Plug in the power cord (see page 14). Next, locate the power switch on the treadmill frame near the power cord. Make sure that the power switch is in the reset position.



Next, stand on the foot rails of the treadmill. Locate the clip attached to the key (see the drawing at the right), and slide the clip securely onto the waistband of your clothes. Then, insert the key into the console. After a moment, the displays will light. **IMPORTANT:** In an emergency situation, the key can be pulled from the console, causing the walking belt to slow to a stop. Test the clip by carefully taking a few steps backward; if the key is not pulled from the console, adjust the position of the clip.



IMPORTANT: If there is a sheet of plastic on the face of the console, remove the plastic. To prevent damage to the walking platform, wear clean athletic shoes while using the treadmill. The first time the treadmill is used, observe the alignment of the walking belt, and center the walking belt if necessary (see page 38).

Note: The console will display speed and distance in either miles or kilometers. For simplicity, all instructions in this section refer to miles.

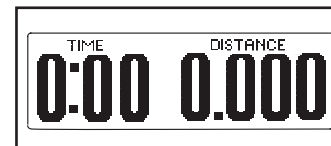
HOW TO USE THE MANUAL MODE

1. Insert the key into the console.

See HOW TO TURN ON THE POWER at the left. The incline will automatically rise to the maximum incline level and then return to the minimum incline level.

2. Select the manual mode.

Each time the key is inserted, the manual mode will be selected. If you have selected a workout, press any of the workout buttons repeatedly until zeros appear in the display.



3. Start the walking belt and adjust the speed.

To start the walking belt, press the Start/Stop button or the Speed increase button.

If you press the Start/Stop button or the Speed increase button, the walking belt will begin to move at 1 mph. As you exercise, change the speed of the walking belt as desired by pressing the Speed increase and decrease buttons. Each time you press a button, the speed setting will change by 0.1 mph; if you hold down the button, the speed setting will change in increments of 0.5 mph.

If you press one of the numbered Precision Quick Touch Speed buttons, the walking belt will gradually change speed until it reaches the selected speed setting. To select a speed setting that includes a decimal—such as 3.5 mph—press two numbered buttons in succession. For example, to select a speed setting of 3.5 mph, press the 3 button and then immediately press the 5 button.

To stop the walking belt, press the Start/Stop button. To restart the walking belt, press the Start/Stop button or the Speed increase button.

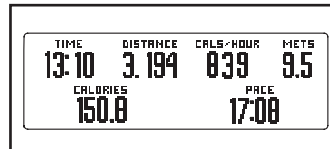
4. Change the incline of the treadmill as desired.

To change the incline of the treadmill, press the Incline increase and decrease buttons or one of the Quick Touch Incline buttons numbered 0 to 15.

Each time you press the Incline increase or decrease button, the incline will change by 0.5%. If you press one of the numbered Quick Touch Incline buttons, the incline will gradually change until it reaches the selected incline setting.

5. Select a display mode and monitor your progress with the display.

When the manual mode is selected, the console offers six display modes. The display mode that you select will determine which workout information is shown. Press the Display button repeatedly to select the desired display mode.



As you walk or run on the treadmill, the upper display can show the following workout information:

- The elapsed time.
- The distance that you have walked or run.
- The speed of the walking belt.
- The incline level of the treadmill.
- The approximate number of calories you have burned.
- The approximate number of calories burned per hour.
- Your exercise intensity in METs. One MET is the amount of energy you use while resting.
- Your walking or running pace, in minutes per mile or minutes per kilometer.

Regardless of which display mode you select, the speed or incline setting will appear in the display for a few seconds each time you change the setting.

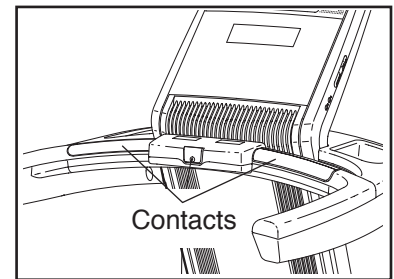
The lower right and lower left displays will show the speed of the walking belt and incline of the treadmill.

As you switch between workouts and the manual mode, the console will keep track of the total distance that you have walked or run and the approximate number of calories you have burned. You can keep your totals even when you switch to a new workout. To reset the console, press the Clear button or select a fitness test workout.

6. Measure your heart rate if desired.

Note: If you use the handgrip heart rate monitor and the chest heart rate monitor at the same time, the console will not display your heart rate accurately. See page 13 for information about the chest heart rate monitor.

Before using the handgrip heart rate monitor, remove the sheets of plastic from the metal contacts. In addition, make sure that your hands are clean.



To measure your heart rate, **stand on the foot rails and hold the contacts for approximately ten seconds—avoid moving your hands.** When your pulse is detected, your heart rate will be shown. **For the most accurate heart rate reading, continue to hold the contacts for about 15 seconds.**

7. Turn on the fan if desired.

The fan has high and low speed settings. Press the Fan button repeatedly to select a fan speed or to turn off the fan. Note: If the fan is on when the walking belt stops, the fan will automatically turn off after a few minutes.

8. When you are finished exercising, remove the key from the console.

Step onto the foot rails, press the Start/Stop button, remove the key from the console, and put it in a secure place. The incline will automatically rise to the maximum incline level and then return to the minimum incline level.

When you are finished using the treadmill, press the power switch into the off position and unplug the power cord. **IMPORTANT: If you do not do this, the treadmill's electrical components may wear prematurely.**

HOW TO USE A PERSONAL TRAINER WORKOUT

1. Insert the key into the console.

See step 1 on page 17.

2. Select one of the personal trainer workouts.

To select a personal trainer workout, press the Interval Workouts button, the Terrain Workouts button, or



the Random Workouts button repeatedly until the name of the desired workout appears in the display. Interval workouts use speed settings to provide a personalized workout. Terrain workouts use speed and incline settings to simulate an actual walking experience. Random workouts use preset speed and incline settings. Note: To use a Walk/Run workout, see page 21.

When a workout is selected, the display will show the name, the maximum incline setting, the maximum speed setting and the duration of the workout. The display will also show a profile of the speed settings of the workout.

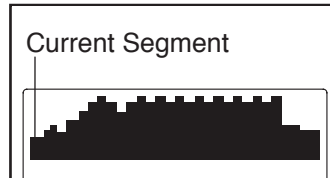
Press the Enter button to select the desired workout. Select your age, your weight, and the workout duration using the Increase and Decrease buttons next to the Enter button. **Press the Enter button after each selection.** You need to enter your age and weight only once per exercise session. Note: To use the Interval workouts, you must also enter your minimum and maximum speed settings using the Precision Quick Touch Speed buttons or the Speed increase and decrease buttons.

3. Press the Start/Stop button to start the workout.

A moment after you press the Start/Stop button, the treadmill will automatically adjust to the first speed and incline settings of the workout. Hold the handrails and begin walking.

Each workout is divided into segments. One speed setting and one incline setting are programmed for each segment. Note: The same speed and/or incline setting may be programmed for consecutive segments.

During the workout, the profile will show your progress. The flashing segment of the profile represents the current segment



of the workout. The height of the flashing segment indicates the speed setting for the current segment. At the end of each segment, a series of tones will sound and the next segment of the profile will begin to flash. If a new speed or incline setting is programmed for the next segment of the workout, the speed or incline setting will appear at the top of the display for a few moments to alert you. The treadmill will then automatically adjust to the new speed and incline settings.

The workout will continue in this way until the last segment of the profile flashes in the display and the last segment ends. The walking belt will then slow to a stop.

If the speed or incline setting is too high or too low at any time during the workout, you can manually override the setting by pressing the Speed or Incline buttons; **however, when the next segment of the**

workout begins, the treadmill will automatically adjust to the speed and incline settings for the next segment. Note: If you use an Interval workout, the incline will not adjust automatically.

To stop or restart the workout at any time, press the Start/Stop button.

4. Select a display mode and monitor your progress with the display.

The console offers three display modes. The display mode that you select will determine which workout information is shown. Press the Display button repeatedly to select the desired display mode.

The display can show the speed of the walking belt, the incline of the treadmill, a profile of the speed settings of the workout, the time remaining in the workout, the distance you have walked or run, the approximate number of calories you have burned, your exercise intensity in METs, the approximate number of calories burned per hour, your pace, and your power output in watts.

5. Measure your heart rate if desired.

See step 6 on page 18.

6. Turn on the fan if desired.

See step 7 on page 19.

7. When you are finished exercising, remove the key from the console.

See step 8 on page 19.

HOW TO USE A WALK/RUN WORKOUT OR A MANUAL CONTROL WORKOUT

1. Insert the key into the console.

See step 1 on page 17.

2. Select one of the workouts.

To select a walk/run workout, press the Walk/Run Workouts button repeatedly until the 5K Walk, the 10K Run, or the Cross Country workout appears in the display.

To select a manual control workout, press the Manual Control button repeatedly until the Manual Time, the Manual Distance, or the Manual Calories workout appears in the display. The display will show the name and the time, distance, or calorie goal of the workout.



Press the Enter button to select the desired workout. Select your age and then your weight using the Increase and Decrease buttons next to the Enter button. **Press the Enter button after each selection.** You need to enter your age and weight only once per exercise session. Note: To use the cross country workouts, you must also enter your distance goal. To use a manual control workout, enter your time, distance, or calorie goal.

3. Press the Start/Stop button to start the workout.

A moment after you press the Start/Stop button, the walking belt will begin moving. Hold the handrails and begin walking.

During the workout, the profile will show the speed of the walking belt. As you exercise, change the speed and incline of the walking belt as desired by pressing the Speed and Incline buttons.

The workout will continue until you reach your time, distance, or calorie goal. The walking belt will then slow to a stop.

To stop or restart the workout at any time, press the Start/Stop button.

4. Select a display mode and monitor your progress with the display.

See step 4 on page 20.

5. Measure your heart rate if desired.

See step 6 on page 18.

6. Turn on the fan if desired.

See step 7 on page 19.

7. When you are finished exercising, remove the key from the console.

See step 8 on page 19.

HOW TO USE A FITNESS TEST WORKOUT

The fitness test workouts measure your relative fitness level. For the most accurate results, use a fitness test workout when you are not feeling tired, when you have not eaten for at least two hours, and when you have not exercised for at least 24 hours.

The treadmill features three fitness workouts. The Ebbeling Fitness Test measures VO₂ max, or aerobic capacity, and lasts 9 minutes. The Gerkin Fitness Test also measures VO₂ max. The Gerkin Fitness Test begins with a three-minute warm-up period and ends after either 14 minutes or when you reach a certain heart rate. The FreeMotion Fitness Test measures your fitness level on a scale of 1 to 10. The FreeMotion Fitness Test ends after either 28 minutes or when you reach a certain heart rate.

1. Put on the chest heart rate monitor.

To use a fitness test, you must wear the chest heart rate monitor or use the handgrip heart rate monitor. Note: For best results, you should wear the chest heart rate monitor.

2. Insert the key into the console.

See step 1 on page 17.

3. Select a fitness test workout.

To select a fitness test workout, press the Fitness Tests button repeatedly until the name of the desired fitness test appears in the display.

Press the Enter button to select the desired workout. Select your age and then your weight using the Increase and Decrease buttons next to the Enter button. **Press the Enter button after each selection.** You need to enter your age and weight only once per exercise session. Note: To use the Ebbeling Fitness Test, you must also enter your gender.

4. Press the Start/Stop button to start the workout.

A moment after you press the Start/Stop button, the treadmill will automatically adjust to the first speed

and incline settings of the fitness test. Begin walking on the treadmill. Note: For the most accurate results, do not hold the handrails during a fitness test workout.

During the workout, the speed and incline of the treadmill will periodically change. The speed setting or the incline setting will appear in the display to alert you before each change. **IMPORTANT: The Speed and Incline buttons will not function during a fitness test workout.**

Note: If you press the Start/Stop button during the fitness test, the fitness test will end.

When the workout ends, the walking belt will slow to a stop and your fitness level or VO₂ max will appear in the display.

If your pulse is not detected during the workout, the words CHECK HEART RATE MONITOR will appear in the display and the speed of the treadmill may automatically decrease. If your pulse is still not detected, the fitness test will be aborted. See page 13 for information about the chest heart rate monitor.

5. Select a display mode and monitor your progress with the display.

See step 4 on page 20. Note: The fitness tests will display your fitness level instead of your exercise intensity in METs. The console may display a "W" when you are warming up or a "C" when you are cooling down.

6. Turn on the fan if desired.

See step 7 on page 19.

7. When you are finished exercising, remove the key from the console.

See step 8 on page 19.

HOW TO USE A HEART RATE WORKOUT

CAUTION: If you have heart problems, or if you are over 60 years of age and have been inactive, do not use the heart rate workouts. If you are taking medication regularly, consult your physician to find out whether the medication will affect your exercise heart rate.

1. Put on the chest heart rate monitor.

To use a fitness test, you must wear the chest heart rate monitor or use the handgrip heart rate monitor. Note: For best results, you should wear the chest heart rate monitor.

2. Insert the key into the console.

See step 1 on page 17.

3. Select one of the heart rate workouts.

To select a heart rate workout, press the Heart Rate Control button repeatedly until the desired workout appears in the display. Press the Enter button to select the desired workout.

Select your age and then your weight using the Increase and Decrease buttons next to the Enter button. **Press the Enter button after each selection.** You need to enter your age and weight only once per exercise session. Note: To use the constant heart rate and variable heart rate workouts, you must also enter your target maximum heart rate. If the target maximum heart rate setting is changed, the intensity level of the entire workout will change. Note: To calculate your target maximum heart rate see EXERCISE INTENSITY on page 40.

4. Press the Start/Stop button to start the workout.

A moment after the Start/Stop button is pressed, the walking belt will begin to move and the treadmill

will automatically adjust to the first speed and incline settings of the workout. Hold the handrails and begin walking.

The heart rate workouts are divided into several one-minute segments. One target heart rate setting is programmed for each segment. The same target heart rate setting may be programmed for consecutive segments. For a shorter workout, simply stop the workout before it ends.

During all heart rate workouts, the console will regularly compare your heart rate to the target heart rate setting. If your heart rate is too far below or above the target heart rate setting for the current segment, the speed of the walking belt will automatically increase or decrease to bring your heart rate closer to the target heart rate setting.

If the speed or incline setting is too high or too low at any time during the workout, you can adjust the setting with the Speed or Incline buttons. However, each time the console compares your heart rate to the target heart rate setting, the speed of the treadmill may automatically change to bring your heart rate closer to the target heart rate setting.

To stop or restart the workout at any time, press the Start/Stop button.

5. Select a display mode and monitor your progress with the display.

See step 4 on page 20.

6. Turn on the fan if desired.

See step 7 on page 19.

7. When you are finished exercising, remove the key from the console.

See step 8 on page 19.

HOW TO USE A CUSTOM WORKOUT

1. Insert the key into the console.

See step 1 on page 17.

2. Select one of the custom workouts.

To select a custom workout, press the Custom Workouts button repeatedly until the desired workout appears in the display.

The display will show the name, the maximum incline setting, the maximum speed setting, and the duration of the workout. **Note: To create a custom workout, see step 3 on page 30.**

Press the Enter button to select the desired workout. Select your age and then your weight using the Increase and Decrease buttons next to the Enter button. **Press the Enter button after each selection.** You need to enter your age and weight only once per exercise session.

3. Press the Start/Stop button to start the workout.

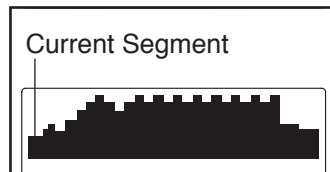
A moment after you press the Start/Stop button, the treadmill will automatically adjust to the first speed and incline settings that you programmed previously. Hold the handrails and begin walking.

Each custom workout is divided into one-minute segments. One speed setting and one incline setting are programmed for each segment.

During the workout, the profile will show your progress.

The flashing segment of the profile represents the current segment

of the workout. The height of the flashing segment indicates the incline setting for the current segment.



At the end of each segment, a series of tones will sound and the next segment of the profile will begin to flash. If a new speed or incline setting is programmed for the next segment of the workout, the speed or incline setting will appear at the top of the display for a few moments to alert you. The treadmill will then automatically adjust to the new speed and incline settings.

The workout will continue in this way until the last segment of the profile flashes in the display and the last segment ends. The walking belt will then slow to a stop.

If the speed or incline setting is too high or too low at any time during the workout, you can manually override the setting by pressing the Speed or Incline buttons; **however, when the next segment of the workout begins, the treadmill will automatically adjust to the speed and incline settings for the next segment.**

To stop or restart the workout at any time, press the Start/Stop button. The speed of the walking belt will gradually increase to the speed setting of the current segment.

4. Select a display mode and monitor your progress with the display.

See step 4 on page 20.

5. Measure your heart rate if desired.

See step 6 on page 18.

6. Turn on the fan if desired.

See step 7 on page 19.

7. When you are finished exercising, remove the key from the console.

See step 8 on page 19.

HOW TO USE AN iFIT WORKOUT

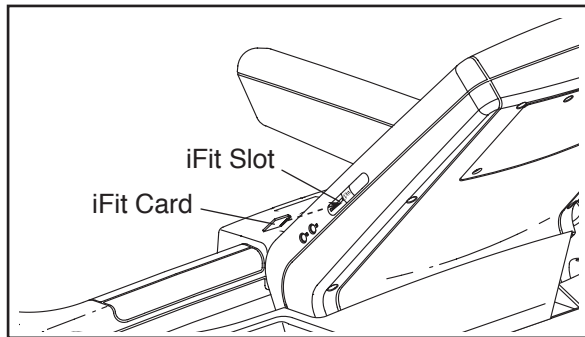
To purchase iFit cards, please see the back cover of this manual or go to www.iFit.com. iFit cards are also available at select stores.

1. Insert the key into the console.

See step 1 on page 17.

2. Insert an iFit card and select a workout.

To use an iFit workout, insert an iFit card into the iFit slot on the side of the console; make sure that the metal contacts are facing away from you.



Next, select an iFit workout by pressing the Increase and Decrease buttons next to the Enter button. When an iFit workout is selected, the display will show the name of the workout, the workout time, the maximum speed setting, and the maximum incline setting of the workout.

Press the Enter button to select the desired workout. Select your age and then your weight using the Increase and Decrease buttons next to the Enter button. **Press the Enter button after each selection.** You need to enter your age and weight only once per exercise session.

Each iFit workout is divided into one-minute segments. One speed setting and one incline setting are programmed for each segment. Note: The same speed and/or incline setting may be programmed for consecutive segments.

3. Press the Start/Stop button to start the workout.

A moment after you press the Start/Stop button, the treadmill will automatically adjust to the first speed and incline settings of the workout. Hold the handrails and begin walking.

The voice of a personal trainer will guide you through the workout.

At the end of each segment, a series of tones will sound. If a new speed or incline setting is programmed for the next segment of the workout, the speed or incline setting will appear at the top of the display for a few moments to alert you. The treadmill will then automatically adjust to the new speed and incline settings.

If the speed or incline setting for the current segment is too high or too low, you can manually override the setting by pressing the Speed or Incline buttons; **however, when the next segment begins, the treadmill will automatically adjust to the speed and incline settings for the next segment.**

To stop the workout at any time, press the Start/Stop button. To restart the workout, press the Start/Stop button or the Speed increase button. The walking belt will begin to move. When the next segment of the workout begins, the treadmill will automatically adjust to the speed and incline settings for the next segment.

4. Select a display mode and monitor your progress with the display.

See step 5 on page 18.

5. Measure your heart rate if desired.

See step 6 on page 18.

6. Turn on the fan if desired.

See step 7 on page 19.

7. When you are finished exercising, remove the key from the console.

See step 8 on page 19.

CAUTION: Always remove iFit cards from the iFit slot when you are not using them.

HOW TO OPERATE THE PERSONAL TELEVISION

IMPORTANT: Before operating the television, you must connect the 96" AV Cable or a CATV cable to the treadmill (see page 15).

1. Turn on the television.

If there is a sheet of plastic on the television screen, remove the plastic. Insert the key into the console. See HOW TO TURN ON THE POWER on page 17. Press the TV power button (see page 27) to turn on the television. Note: If you operate the television without inserting the key into the console, the buttons on the console will not function.

2. Scan for television channels.

Before operating your television, you must scan for channels. See page 29 for information about scanning for channels. Note: To use a VCR or DVD player, you must connect a VCR or DVD player and then scan for channels.

Your television can receive analog and digital signals. For the television to operate properly, good reception is necessary. Make sure that the television settings are set correctly (see HOW TO ADJUST THE TELEVISION SETTINGS on page 28). If you are using an antenna, make sure that it is properly connected and adjusted for optimal reception (see HOW TO CONNECT AN ANTENNA on page 15).

3. Press the Input button to select a television source.

Select a television source by pressing the Input button repeatedly. If you have connected an

antenna or a 75 ohm CATV cable to the 75 ohm terminal on the treadmill, select the TV source. If you have plugged the 96" AV Cable into the audio/video input jack, select the AV source.

To use a VCR or DVD player, make sure that the VCR or DVD player is connected correctly (see page 15). Select the AV source and press play on your VCR or DVD player.

4. Press the Channel buttons to select the desired channel.

When you turn on the television, the screen will show the last channel that was selected. To select a different channel, press the numbered channel buttons on the remote or the Channel increase and decrease buttons. The selected channel number will appear on the screen for a few seconds. Note: Before channels can be selected, they must be saved in the television's memory (see page 29).

5. Press the Volume buttons to adjust the volume.

Press the Vol increase or decrease buttons on the console to change the volume. Note: For best results, change the volume by pressing the Vol buttons on the console only. Make sure that your audio wire is not plugged into the audio jack on the console.

To use earphones or headphones (not included), plug them into the headphone jack on the side of the console.

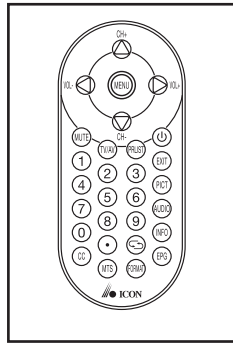
6. Turn off the television.

When you are finished using the television, press the TV power button to turn off the television.

HOW TO USE THE REMOTE CONTROL

The first time you use the remote control, insert batteries (see HOW TO REPLACE THE BATTERIES IN THE REMOTE CONTROL at the right).

Next, stand on the treadmill and hold the remote control near the television. Point the remote control directly at the television.



Press the Power button (⏻). After a few moments, the television will turn on or turn off.

Press the Volume (VOL) increase or decrease button to navigate left or right in a menu. For best results, change the volume by pressing the Volume buttons on the console only.

Press the Mute button to turn on or turn off the sound.

Press the numbered channel buttons or the Channel (CH) increase or decrease button to select a channel. The Channel increase and decrease buttons on the remote also function as the up and down navigation buttons in a menu.

Press the Return button (↵) to view the previous channel.

To select a subchannel, select a channel, press the Subchannel button (⊕), and then press the numbered channel buttons.

Press the Menu button to view the main menu or to view a previous menu. See pages 28 and 29 for information about the menu.

Press the Exit button to exit any menu.

Press the PRLIST button to view a list of channels. If you have labeled any channels, the menu will also show the channel label. See page 29 for information about labeling channels. Note: You can also view this list by pressing the PRLIST button on the console.

Press the EPG button to view the electronic program guide. Note: The electronic program guide is only available when viewing ATSC digital television.

Press the Info button to view information about the

current program and the broadcast or cable signal.

Press the CC button repeatedly to turn on or turn off closed captioning. See step 5 on page 28 to adjust closed captioning settings.

Press the TV/AV button repeatedly to select the input source. To view television channels through an antenna or a CATV cable, select the TV source. To use the 96" AV Cable, select the AV source.

Press the MTS button repeatedly to select mono, stereo, or SAP (secondary audio programming) as the audio setting.

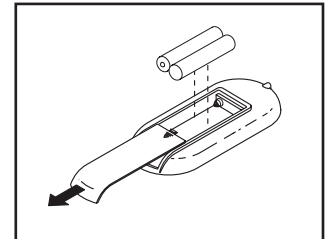
Press the Format button repeatedly to select auto, 4:3, or wide image as the display format. Note: The auto display format is only available when viewing ATSC digital television.

Press the Pict button repeatedly to select standard, dynamic, soft, or personal as the image mode.

Press the Audio button repeatedly to select standard, music, movie, or personal as the audio mode.

HOW TO REPLACE THE BATTERIES IN THE REMOTE CONTROL

To replace the batteries, first locate the battery cover on the back of the remote control. Push down lightly on the battery cover with your thumb and slide off the battery cover.



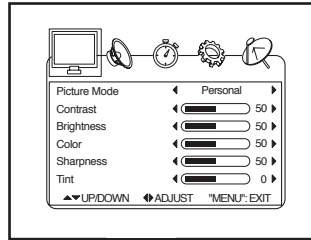
Next, remove the old batteries from the remote control, and insert two new "AAA" batteries. **Make sure to insert the batteries as shown in the drawing.** Then, slide the battery cover onto the remote control.

HOW TO ADJUST THE TELEVISION SETTINGS

You must use your remote control to adjust television settings. Press the Menu button to enter the main menu or to return to a previous menu. Press the Exit button to exit a menu. Press the Channel (CH) increase and decrease buttons to navigate up and down in a menu and the Volume (VOL) increase and decrease buttons on your remote control to navigate right and left.

1. Press the Menu button to enter the main menu.

To select one of the icons across the top of the screen, press the Volume increase and decrease buttons on your remote control until the desired icon appears larger than the others.



Select the monitor to adjust the image settings. Select the speaker to adjust the audio settings. Select the clock to adjust the time settings. Select the gear to adjust the television settings. Select the antenna to locate and save channels. To return to the main menu, press the Menu button repeatedly.

2. Adjust the image settings.

Select the personal, standard, dynamic, or soft picture mode. The contrast, brightness, color, sharpness, and tint will automatically adjust. You can also manually adjust the contrast, brightness, color, sharpness, or tint.

3. Adjust the audio settings.

Select the personal, standard, movie, or music sound mode. The bass, treble, and balance will automatically adjust. You can also manually adjust the bass, treble, balance, or audio language. Select an audio language to hear programs in the selected language. Note: The audio language setting will function only if another audio signal is available.

4. Adjust the time settings.

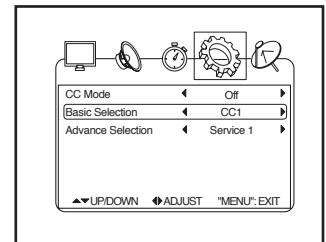
Adjust the OSD (on-screen display) duration, sleep timer, time zone, or daylight savings time settings.

The clock will display the current date and time and is reset every time the power is turned on. The OSD duration is the length of time indicators (like channel number or the electronic program guide) will remain on the screen after they appear. If you set the sleep timer, the television will turn off after the indicated number of minutes. A countdown will warn you when the television is about to turn off. Note: The time zone setting, daylight savings time setting, and clock are only available when viewing digital television.

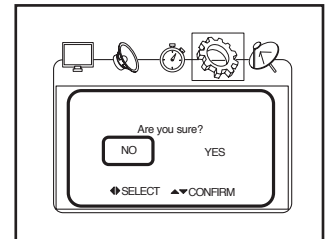
5. Adjust the television settings.

Adjust the language used in the menus, the transparency of the menu, the color mode, or the closed caption settings. You can also restore the original television settings.

To enter the closed caption submenu, highlight CLOSED CAPTION and press the Volume increase button on your remote control. In the closed caption submenu, adjust the closed caption mode, the basic selection, and the advanced selection.



When you highlight RESTORE SETTING and press the Volume increase button, a confirmation request will appear in the display. Use the Volume increase or decrease button to select YES or NO and press the Channel increase or decrease button to confirm your selection. Select YES to restore the original television settings or NO to keep the current settings.

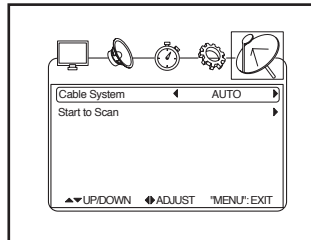


6. Scan and save channels.

Select CATV or AIR. Select CATV to receive channels through the 75 ohm terminal on the treadmill. Select AIR to receive channels through an antenna.

To scan for available channels, highlight AUTO SCAN or AUTO SCAN ADD CH. To scan all channels, select the Auto scan option. To scan all channels and add an extra channel, select the Auto Scan Add Ch option. The scan channel submenu will appear.

If you are receiving channels through a CATV cable, highlight CABLE SYSTEM and select the auto, STD, IRC, or HRC setting. Try all four cable settings, if necessary, to find the optimal setting.

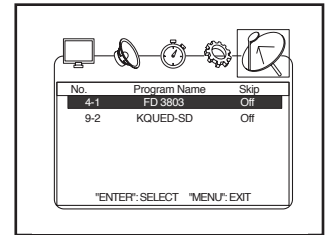


Highlight START TO SCAN and press the Volume increase button to start the auto scan. The television will begin scanning all of the channels available in your area. When no signal is detected on a channel, the channel will be skipped. When a signal is detected, the channel will be saved into memory and the next channel will be selected. This process will continue until the highest channel is reached. The television will renumber the channels in the order in which it locates them. **Do not remove the key while the television is scanning channels.** Note: If a television channel disappears, scan for channels again.

After all valid channels available in your area have been saved into the television's memory, you can manually skip unwanted channels.

To skip a channel, highlight CHANNEL SKIP and press the Volume increase button on your remote control.

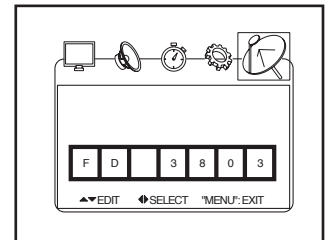
In the channel skip submenu, press the Channel increase and decrease buttons to highlight the desired channel and the Volume increase and decrease buttons to turn on or turn off the skip option. Continue this process until you have skipped all unwanted channels.



To change the display name of a channel, highlight CHANNEL NO. and select a channel. Then, highlight CHANNEL LABEL and press the

Volume increase

button to enter the channel label submenu. Press the Volume increase and decrease buttons to select a number or letter box. Then press the Channel increase and decrease buttons to select the desired number or letter.



7. Exit the menu.

When you have finished adjusting the settings, press the Exit button.

HOW TO USE THE MAINTENANCE MODE

The console has a maintenance mode that keeps track of the total number of hours that the treadmill has been operated and the total distance that the walking belt has moved. The maintenance mode also allows you to adjust the maximum workout time, the pause timeout, and the sleep timeout. You can also select the desired language and disable or enable the key.

1. Select the maintenance mode.

To select the maintenance mode, hold down the Clear button and the Enter button for several seconds.

Press the Display button to move between screens. Press the Back button to return to a previous screen. To change the settings, press the Increase and Decrease buttons next to the Enter button.

2. Set user preferences.

When you select the maintenance mode, the display will show the total number of hours and the total number of miles (or kilometers) that the walking belt has moved. Press the Display button to move to the next screen.

If desired, set the maximum workout time for the Random, Interval, Terrain, Manual Time, and Heart Rate workouts using the Increase and Decrease buttons.

Next, press the Display button to move the cursor to the pause timeout. Set the pause timeout, if desired. The pause timeout begins when the walking belt stops. When the pause timeout ends, the display will return to the main screen and your distance and calories count will be reset.

Press the Display button to move the cursor to the sleep timeout. Set the sleep timeout, if desired. The sleep timeout begins when the display returns to the main screen. When the sleep timeout ends, the incline will lower to the lowest setting and the screen saver will appear.

Press the Display button to move to the default volume. Set the default volume, if desired.

Next, press the Display button to move to the next screen. You may be able to select one of five languages for the displays. If desired, select a language for the displays.

3. Create a custom workout.

If desired, create a custom workout. Press the Display button until the desired custom workout is highlighted. Then press the Enter button. Program a speed setting and an incline setting for the first one-minute segment by pressing the Speed and Incline buttons. Press the Enter button to move to the next segment and continue programming segments for 30 segments. Press the Enter button after you have programmed the last segment. Then press the Display button until you exit the maintenance mode.

To exit the maintenance mode at any time, remove the key from the console.

You can also disable or enable the key. When the key is enabled, the key must be inserted into the console for the treadmill to turn on. To disable or enable the key, remove the key from the console and hold down the Clear button and the Enter button for several seconds. Press the Increase or Decrease button. Then, press the Display button. To enable the key, insert the key into the console. For best results, operate the treadmill with the key enabled.

HOW TO USE THE STEREO SOUND SYSTEM

To play music or audio books through the console's stereo speakers, you must connect your MP3 player, CD player, or other personal audio player to the console. Plug your audio wire into the MP3 jack on the side of the console labeled IN. Then, plug the other end into a jack on your MP3 player, CD player, or other personal audio player. **Make sure that your audio wire is fully plugged in.** While the audio wire is plugged in, the television audio will not function.

Next, press the play button on your MP3 player, CD player, or other personal audio player. Then, adjust the volume on your personal audio player. To use headphones, plug the headphones into the headphone jack near the audio jack.

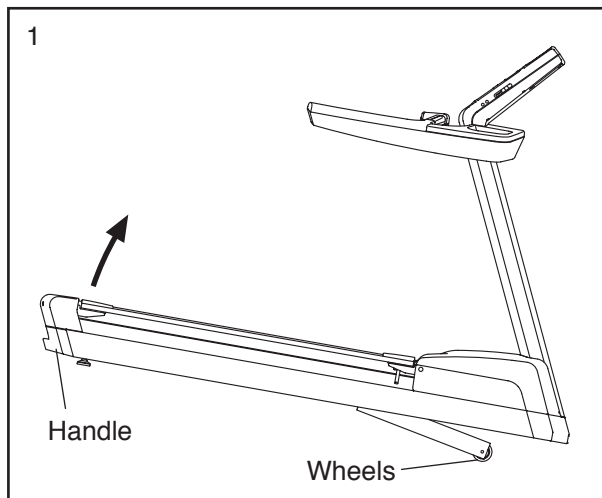
If you are using a personal CD player and the CD skips, set the CD player on the floor or another flat surface instead of on the console.

HOW TO MOVE THE TREADMILL

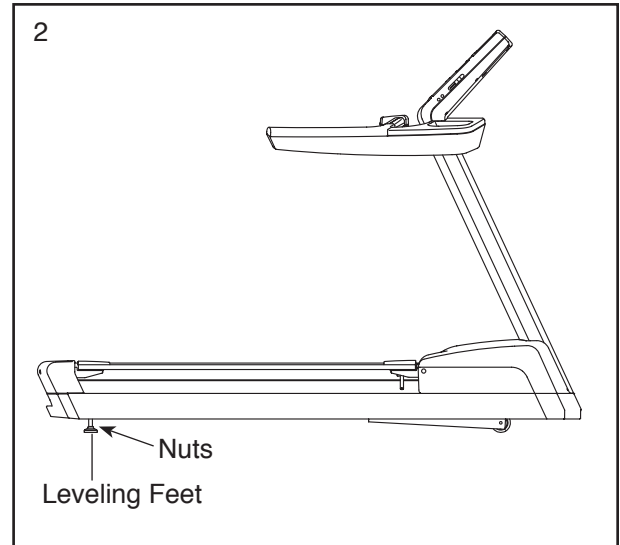
Due to the size and weight of the treadmill, moving it requires two or three persons.

Before moving the treadmill, plug in the power cord and insert the key into the console (see HOW TO TURN ON THE POWER on page 17). Raise the incline to the highest position. **Then, remove the key and unplug the power cord.**

1. **Hold the handle firmly in the location shown below. CAUTION: To decrease the possibility of damage to the treadmill or of injury, do not lift the treadmill by the handrail.** Raise the handle until the treadmill rolls freely on the wheels. Carefully roll the treadmill to the desired location and then lower it to the level position. **CAUTION: To reduce the risk of injury, use extreme caution while moving the treadmill. Do not attempt to move the treadmill over uneven surfaces.**



2. After the treadmill is placed in the location where it will be used, make sure that the leveling feet rest firmly on the floor. If the treadmill rocks even slightly, loosen one of the nuts, turn the leveling foot clockwise or counterclockwise until the rocking motion is eliminated, and retighten the nut.



PREVENTIVE MAINTENANCE

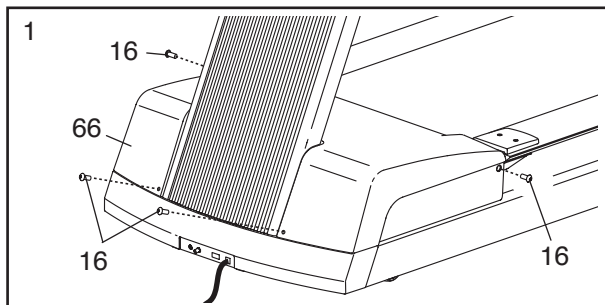
Regular maintenance is necessary for optimal performance and long life of the treadmill. Please read and follow all instructions below. **If the treadmill is not maintained as described, components may wear excessively, the treadmill may be damaged, and the warranty will be voided.** If you have questions about maintenance, see the back cover of this manual. **CAUTION: Make sure to remove the key and unplug the power cord before performing any maintenance procedures.**

WEEKLY MAINTENANCE

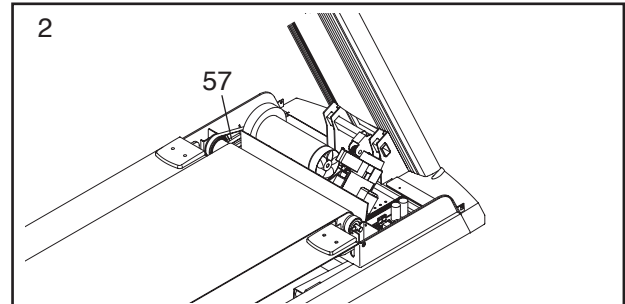
1. **Unplug the power cord.** Inspect and properly tighten all external parts of the treadmill.
2. Apply a mild multi-purpose cleaner to a 100 percent cotton cloth and remove any dust and grime from the handrails, upright, foot rails, frame, and motor hood. In addition, wipe the walking platform along the sides of the walking belt. **Do not wipe under the walking belt.** Apply a small amount of mild multi-purpose cleaner to a 100 percent cotton cloth and wipe the console and the screens. **Do not spray cleaner directly onto the treadmill or use ammonia or acid-based cleaners.**
3. Make sure that the walking belt is centered and properly tightened. If it is centered and runs smoothly, do not make any adjustments. If the walking belt needs to be adjusted, see pages 37 and 38.

MONTHLY MAINTENANCE

1. **Unplug the power cord.** Remove the four 5/16" x 1/2" Screws (16) attaching the Motor Hood (66), and lift off the Motor Hood.



2. Using a hand-held vacuum, clean the area under the Motor Hood (not shown). **Be careful to avoid touching any components.** Check the Motor Belt (57) for wear and cracks. If the Motor Belt needs to be replaced, see the back cover of this manual.

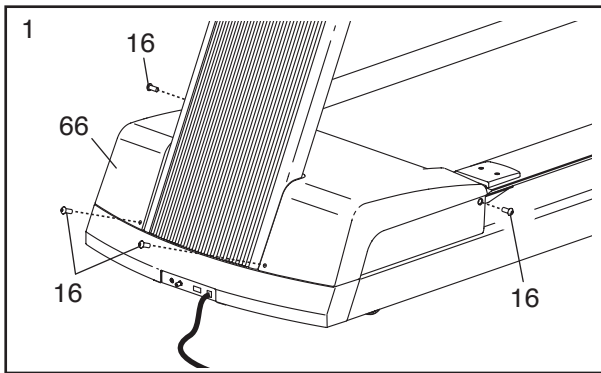


3. Plug in the power cord and insert the key into the console. Press the Start/Stop button. **Be careful to avoid injury; keep your hands away from moving parts and make sure that your clothes cannot become caught in moving parts.** While the walking belt is moving, check the treadmill for unusual noises or odors. If any of these problems exists, see the back cover of this manual. **Remove the key and unplug the power cord. See step 1.** Reattach the Motor Hood (66) with the 5/16" x 1/2" Screws (16).

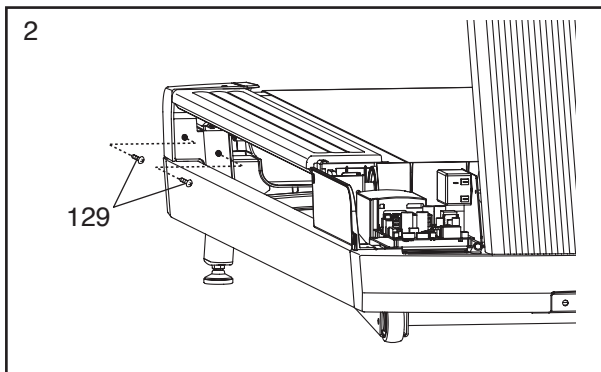
REPLACING THE WALKING PLATFORM AND THE WALKING BELT

Inspect the walking platform periodically for wear. If there is any wood showing through the phenolic coating, or if the surface is damaged, the walking platform should be replaced. When the walking belt becomes worn, it should be replaced. The walking platform and the walking belt should be replaced after every 10,000 to 15,000 miles (16,000 to 24,000 kilometers). Follow the instructions below to replace the walking platform and/or the walking belt. **Make sure to keep track of which holes the screws go in.**

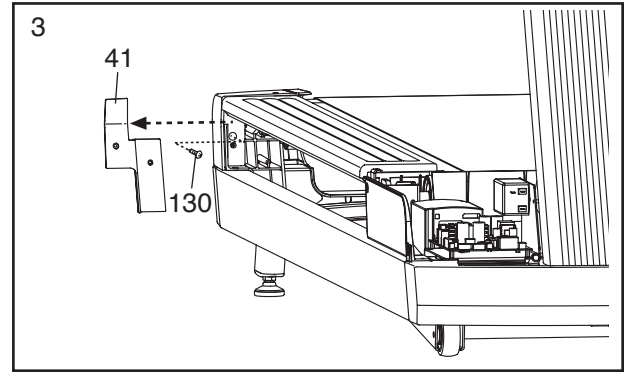
1. **Remove the key and unplug the power cord.**
Remove the four 5/16" x 1/2" Screws (16) and the Motor Hood (66).



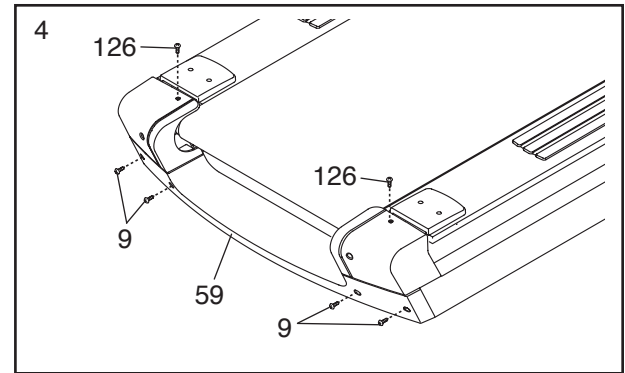
2. Remove the four #8 x 5/8" Machine Screws (129) (only one side is shown).



3. Remove the Right Cap Insert Bracket (41) and the Left Cap Insert Bracket (not shown). Then, remove the indicated #8 x 1/2" Machine Screw (130) from each side of the treadmill (only one side is shown).



4. Remove the four indicated 1/4" x 3/4" Screws (9) and the two M4 x 13mm Screws (126). Then, remove the Rear Cap (59).



- Remove the eight 1/4" x 3/8" Screws (21) and lift off the Rear and Front Platform Bracket Covers (43, 89).

Remove the two 1/4" x 3/4" Screws (9), the two 5/16" x 1 1/2" Bolts (8), and the two 5/16" Locknuts (38).

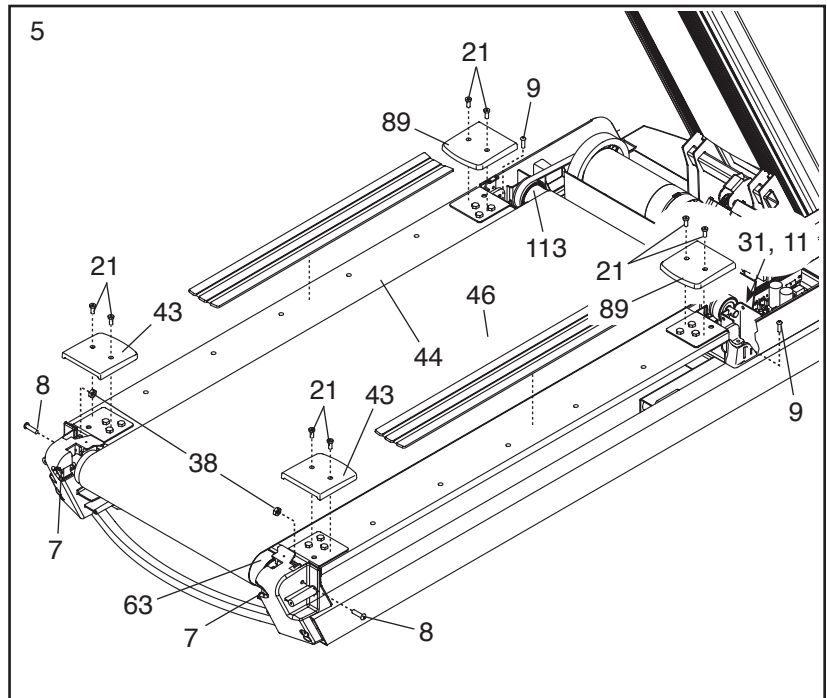
Remove the two 5/16" x 2 1/2" Screws (7), the two 5/16" Lock Washers (not shown), and the 5/16" Flat Washers (not shown).

Remove the 1/4" x 2 1/2" Screw (11) and the 1/4" Star Washer (31). Then, remove the Idler Roller (63) and the Drive Roller (113).

If you are replacing the Walking Platform (44), go to step 6.

If you are replacing only the Walking Belt (46), remove the

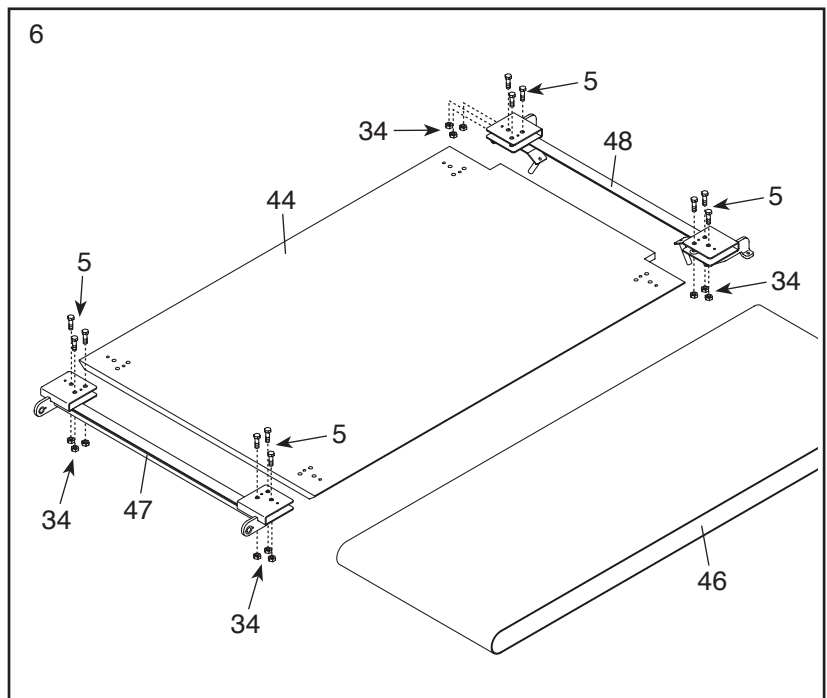
Walking Belt and slide the new Walking Belt onto the Walking Platform (44). Follow steps 1–5 in reverse order. Turn both 5/16" x 2 1/2" Screws (7) clockwise four times only. **Go to step 7.**



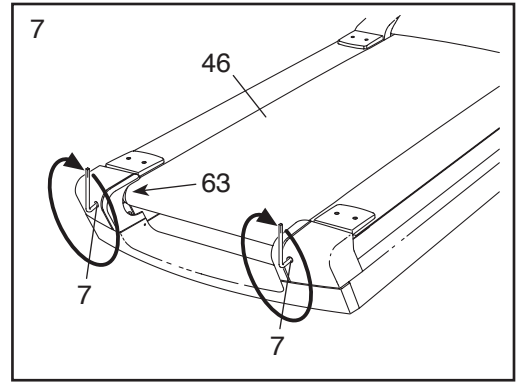
- Remove the Walking Belt (46) and the Walking Platform (44) from the treadmill. Then, remove the Walking Belt from the Walking Platform. Remove the twelve 3/8" x 1 5/8" Bolts (5) and the 3/8" Locknuts (34). Slide the Rear and Front Platform Brackets (47, 48) off the Walking Platform (44).

Slide the Rear and Front Platform Brackets (47, 48) onto the new Walking Platform (44).

Follow steps 1–6 in reverse order. If you are replacing the Walking Belt (46), use the new Walking Belt. Turn the 5/16" x 2 1/2" Screws (7) (see step 5) clockwise four times only. **Go to step 7.**



7. The tension of the Walking Belt (46) now needs to be adjusted. Center the Walking Belt if necessary (see page 38). Then, step onto the foot rails, insert the key into the console, and press the Start button. Hold the handrails and gently press one foot against the moving Walking Belt. If the Walking Belt stops moving, **remove the key from the console, unplug the power cord,** and turn the two 5/16" x 2 1/2" Screws (7) clockwise one time. Continue to test the tension of the Walking Belt until the Walking Belt no longer slips. Make sure to keep the Walking Belt centered. **If the Idler Roller (63) stops moving, do not further tighten the Screws; please see the back cover of this manual.**



SIX-MONTH PREVENTIVE MAINTENANCE RECORD

Photocopy this form and use it to record the preventive maintenance performed on the treadmill. Each copy of the form can be used for six months (26 weeks). When maintenance is performed, write the date in the appropriate spaces. **Make sure to perform each maintenance procedure as described on pages 32 to 35. If the procedures are not performed as described, components may wear excessively, the treadmill may be damaged, and the warranty will be voided.**

	Weekly Maintenance			Monthly Maintenance		
	Inspect and tighten all external parts of the treadmill.	Clean the treadmill.	Check the walking belt for proper tension and alignment.	Remove the motor hood and vacuum the motor compartment.	Check the motor belt for cracks and other wear.	Check the motor for arcing; check for noises or odors.
Week 1	/ /	/ /	/ /			
Week 2	/ /	/ /	/ /			
Week 3	/ /	/ /	/ /			
Week 4	/ /	/ /	/ /	/ /	/ /	/ /
Week 5	/ /	/ /	/ /			
Week 6	/ /	/ /	/ /			
Week 7	/ /	/ /	/ /			
Week 8	/ /	/ /	/ /	/ /	/ /	/ /
Week 9	/ /	/ /	/ /			
Week 10	/ /	/ /	/ /			
Week 11	/ /	/ /	/ /			
Week 12	/ /	/ /	/ /			
Week 13	/ /	/ /	/ /	/ /	/ /	/ /
Week 14	/ /	/ /	/ /			
Week 15	/ /	/ /	/ /			
Week 16	/ /	/ /	/ /			
Week 17	/ /	/ /	/ /	/ /	/ /	/ /
Week 18	/ /	/ /	/ /			
Week 19	/ /	/ /	/ /			
Week 20	/ /	/ /	/ /			
Week 21	/ /	/ /	/ /	/ /	/ /	/ /
Week 22	/ /	/ /	/ /			
Week 23	/ /	/ /	/ /			
Week 24	/ /	/ /	/ /			
Week 25	/ /	/ /	/ /			
Week 26	/ /	/ /	/ /	/ /	/ /	/ /

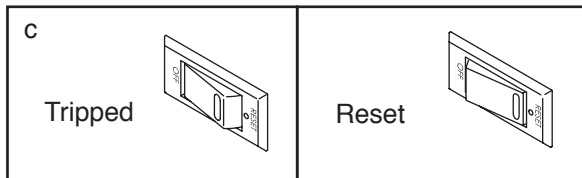
Walking Platform Replaced	/ /	/ /	Walking Belt Replaced	/ /
---------------------------	-----	-----	-----------------------	-----

TROUBLESHOOTING

Most treadmill problems can be solved by following the simple steps below. Find the symptom that applies, and follow the steps listed. If further assistance is needed, see the front cover of this manual.

SYMPTOM: The power does not turn on

- Make sure that the power cord is plugged into a surge suppressor and that the surge suppressor is plugged into a properly grounded outlet (see page 14). Use only a surge suppressor that meets all of the specifications described on page 14. Important: The treadmill is not compatible with GFCI-equipped outlets and may not be compatible with AFCI-equipped outlets.
- After the power cord has been plugged in, make sure that the key is inserted into the console.
- Check the power switch located on the treadmill frame near the power cord. If the switch protrudes as shown, the switch has tripped. To reset the power switch, wait for five minutes and then press the switch back in.

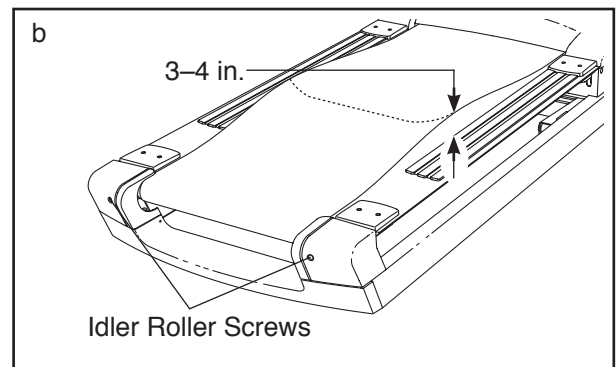


SYMPTOM: The power turns off during use

- Check the power switch (see the drawing above). If the switch has tripped, wait for five minutes and then press the switch back in.
- Make sure that the power cord is plugged in. If the power cord is plugged in, unplug it, wait for five minutes, and then plug it back in.
- Remove the key from the console, and then reinsert it.
- If the treadmill still will not run, please see the front cover of this manual.

SYMPTOM: The walking belt slows when walked on

- Use only a surge suppressor that meets all of the specifications described on page 14.
- If the walking belt is overtightened, treadmill performance may decrease and the walking belt may become damaged. Remove the key and **UNPLUG THE POWER CORD**. Using the hex key, turn both idler roller screws counterclockwise, 1/4 of a turn. When the walking belt is properly tightened, you should be able to lift each edge of the walking belt 3 to 4 in. (8 to 10 cm) off the walking platform. Be careful to keep the walking belt centered. Then, plug in the power cord, insert the key, and run the treadmill for a few minutes. Repeat until the walking belt is properly tightened.



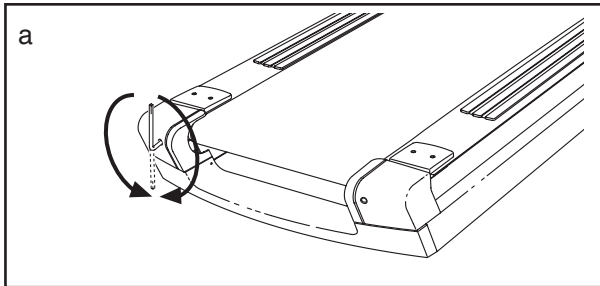
- Your treadmill features a walking belt coated with high-performance lubricant. **IMPORTANT: Never apply silicone spray or other substances to the walking belt or the walking platform unless instructed to do so by an authorized service representative. Such substances may deteriorate the walking belt and cause excessive wear.** If you suspect that the walking belt needs more lubricant, see the front cover of this manual.
- If the walking belt still slows when walked on, see the front cover of this manual.

SYMPTOM: The incline of the treadmill does not change correctly

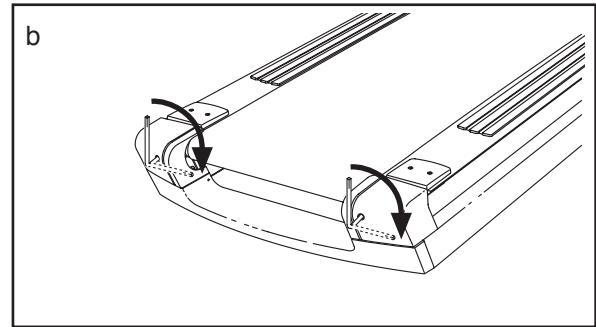
- a. The incline system may need to be calibrated. To initiate the calibration routine, press the power switch into the off position, wait 5 seconds, and then press the power switch back into the reset position. During the calibration routine, the treadmill will automatically travel to the highest incline level and then return to the initial level.
- b. If the incline system still does not function properly, please see the back cover of this manual.

SYMPTOM: The walking belt is off-center or slips when walked on

- a. **If the walking belt is off-center**, first remove the key and **UNPLUG THE POWER CORD**. **If the walking belt has shifted to the left**, use the hex key to turn the left idler roller screw clockwise 1/2 of a turn; **if the walking belt has shifted to the right**, turn the left idler roller screw counterclockwise 1/2 of a turn. Be careful not to overtighten the walking belt. Then, plug in the power cord, insert the key, and run the treadmill for a few minutes. Repeat until the walking belt is centered.



- b. **If the walking belt slips when walked on**, first remove the key and **UNPLUG THE POWER CORD**. Using the hex key, turn both idler roller screws clockwise, 1/4 of a turn. When the walking belt is correctly tightened, you should be able to lift each edge of the walking belt 2 to 3 in. (5 to 7 cm) off the walking platform. Be careful to keep the walking belt centered. Then, plug in the power cord, insert the key, and carefully walk on the treadmill for a few minutes. Repeat until the walking belt is properly tightened.



SYMPTOM: The remote control does not function correctly

- a. Make sure that you are standing on the treadmill, holding the remote control near the television and pointing the remote control directly at the console.
- b. If your remote control is still not functioning correctly, the batteries should be replaced; most remote control problems are the result of low batteries. See page 27 to replace the batteries.

SYMPTOM: The television is not receiving a signal

- a. Make sure that the correct TV or AV source is selected. See step 3 on page 26 to select a television source.
- b. Make sure that the antenna cable, CATV cable, or 96" AV Cable is connected securely to the treadmill. See page 15 to connect a cable to the treadmill.
- c. Scan for broadcast or cable signals. See page 29 to scan for signals.
- d. Due to an FCC requirement, analog signals are no longer broadcast over the air in the United States as of June 12, 2009. If you wish to view television signals through an antenna, you must have an antenna capable of receiving digital signals. Cable television has not been affected.

SYMPTOM: The volume is too loud or the television audio makes a crackling sound

- a. If the television audio makes a crackling sound when the volume is turned up, the volume is too loud. Press the Volume increase or decrease button on the remote control until the volume level is 80 percent. Once the volume reaches 80 percent, adjust the volume by pressing the Vol buttons on the console only.

SYMPTOM: The volume cannot be turned up

- a. If the volume cannot be turned up, the volume may have been adjusted with the remote control. Press the Vol increase or decrease button on the remote control until the volume level is 80 percent. Once the volume reaches 80 percent, adjust the volume by pressing the Vol buttons on the console only.
- b. If there is no sound coming from the television, make sure that the television audio is not muted.
- c. If there is no sound coming from the television, make sure that your audio wire is not plugged into the audio jack on the console.

SYMPTOM: The television needs to be cleaned

- a. **UNPLUG THE POWER CORD.** To clean the television, wipe the television and screen using a soft cloth with a small amount of soft detergent. **Do not use a polishing cloth, solvent, or any type of propellant or chemical detergent such as alcohol or benzene.**

SYMPTOM: Television reception is poor

- a. Make sure that the television settings are set correctly. See HOW TO ADJUST THE TELEVISION SETTINGS on page 28.
- b. For the digital television to operate properly, good reception is necessary. If you are using an antenna, make sure that it is properly connected and adjusted for optimal reception. (See HOW TO CONNECT AN ANTENNA on page 15.)
- c. Check for the problems listed at the right and follow the applicable instructions.
 - Ignition (black spots or horizontal streaks that appear or a picture that flutters or drifts)—Usually this is caused by interference from automobile ignition systems, neon lamps, electric drifts, or other electric appliances. Try changing the position of the treadmill or other electric appliances to correct the problem.
 - Ghosts—Ghosts are caused by the television signal following two paths—one is the direct path and the other is reflected from tall buildings, hills, or other objects. Change the direction or position of the antenna to improve reception.
 - Blue Screen—If the treadmill is located in the fringe area of a television station where the signal is weak, the picture may be of poor quality or a blue screen may appear. If the signal is weak, it may be necessary to install an external antenna to improve the picture.
 - Fading—If blocks of the picture are missing, the picture moves around the screen, or the picture disappears, the signal may be weak. Change the direction or position of the antenna to improve reception. Make sure the television settings are set correctly (see HOW TO ADJUST TELEVISION SETTINGS on page 28). Do not use a splitter.

Note: If one of these problems appears when the cable from a CATV company is connected, the problem may be caused by the cable company broadcast.

EXERCISE GUIDELINES

⚠️ WARNING: Before beginning this or any exercise program, consult your physician. This is especially important for persons over age 35 or persons with pre-existing health problems.

The heart rate monitor is not a medical device. Various factors may affect the accuracy of heart rate readings. The heart rate monitor is intended only as an exercise aid in determining heart rate trends in general.

These guidelines will help you to plan your exercise program. For detailed exercise information, obtain a reputable book or consult your physician. Remember, proper nutrition and adequate rest are essential for successful results.

EXERCISE INTENSITY

Whether your goal is to burn fat or to strengthen your cardiovascular system, exercising at the proper intensity is the key to achieving results. You can use your heart rate as a guide to find the proper intensity level. The chart below shows recommended heart rates for fat burning and aerobic exercise.

165	155	145	140	130	125	115	❤️
145	138	130	125	118	110	103	❤️
125	120	115	110	105	95	90	❤️
<hr/>							
20	30	40	50	60	70	80	

To find the proper intensity level, find your age at the bottom of the chart (ages are rounded off to the nearest ten years). The three numbers listed above your age define your “training zone.” The lowest number is the heart rate for fat burning, the middle number is the heart rate for maximum fat burning, and the highest number is the heart rate for aerobic exercise.

Burning Fat—To burn fat effectively, you must exercise at a low intensity level for a sustained period of time. During the first few minutes of exercise, your body uses carbohydrate calories for energy. Only after the first few minutes of exercise does your body begin to use stored fat calories for energy. If your goal is to burn fat, adjust the intensity of your exercise until your heart rate is near the lowest number in your training zone. For maximum fat burning, exercise with your heart rate near the middle number in your training zone.

Aerobic Exercise—If your goal is to strengthen your cardiovascular system, you must perform aerobic exercise, which is activity that requires large amounts of oxygen for prolonged periods of time. For aerobic exercise, adjust the intensity of your exercise until your heart rate is near the highest number in your training zone.

WORKOUT GUIDELINES

Warming Up—Start with 5 to 10 minutes of stretching and light exercise. A warm-up increases your body temperature, heart rate, and circulation in preparation for exercise.

Training Zone Exercise—Exercise for 20 to 30 minutes with your heart rate in your training zone. (During the first few weeks of your exercise program, do not keep your heart rate in your training zone for longer than 20 minutes.) Breathe regularly and deeply as you exercise—never hold your breath.

Cooling Down—Finish with 5 to 10 minutes of stretching. Stretching increases the flexibility of your muscles and helps to prevent post-exercise problems.

EXERCISE FREQUENCY

To maintain or improve your condition, complete three workouts each week, with at least one day of rest between workouts. After a few months of regular exercise, you may complete up to five workouts each week, if desired. Remember, the key to success is to make exercise a regular and enjoyable part of your everyday life.

SUGGESTED STRETCHES

The correct form for several basic stretches is shown at the right. Move slowly as you stretch—never bounce.

1. Toe Touch Stretch

Stand with your knees bent slightly and slowly bend forward from your hips. Allow your back and shoulders to relax as you reach down toward your toes as far as possible. Hold for 15 counts, then relax. Repeat 3 times. Stretches: Hamstrings, back of knees and back.

2. Hamstring Stretch

Sit with one leg extended. Bring the sole of the opposite foot toward you and rest it against the inner thigh of your extended leg. Reach toward your toes as far as possible. Hold for 15 counts, then relax. Repeat 3 times for each leg. Stretches: Hamstrings, lower back and groin.

3. Calf/Achilles Stretch

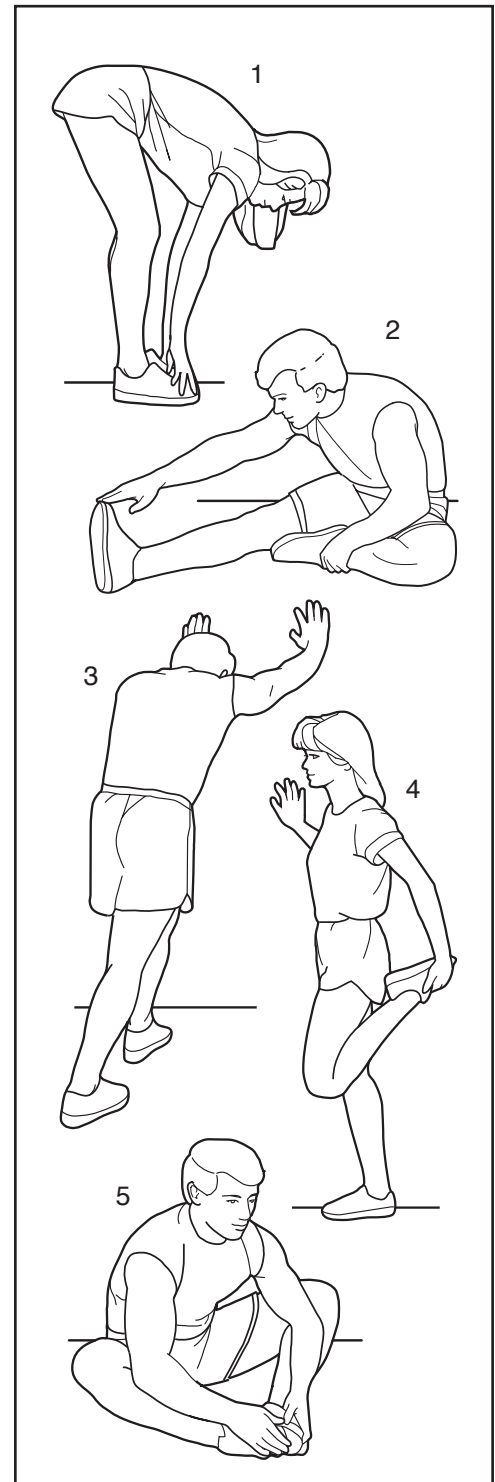
With one leg in front of the other, reach forward and place your hands against a wall. Keep your back leg straight and your back foot flat on the floor. Bend your front leg, lean forward and move your hips toward the wall. Hold for 15 counts, then relax. Repeat 3 times for each leg. To cause further stretching of the achilles tendons, bend your back leg as well. Stretches: Calves, achilles tendons and ankles.

4. Quadriceps Stretch

With one hand against a wall for balance, reach back and grasp one foot with your other hand. Bring your heel as close to your buttocks as possible. Hold for 15 counts, then relax. Repeat 3 times for each leg. Stretches: Quadriceps and hip muscles.

5. Inner Thigh Stretch

Sit with the soles of your feet together and your knees outward. Pull your feet toward your groin area as far as possible. Hold for 15 counts, then relax. Repeat 3 times. Stretches: Quadriceps and hip muscles.



PART LIST

Model No. VMTL34808.1 R0312A

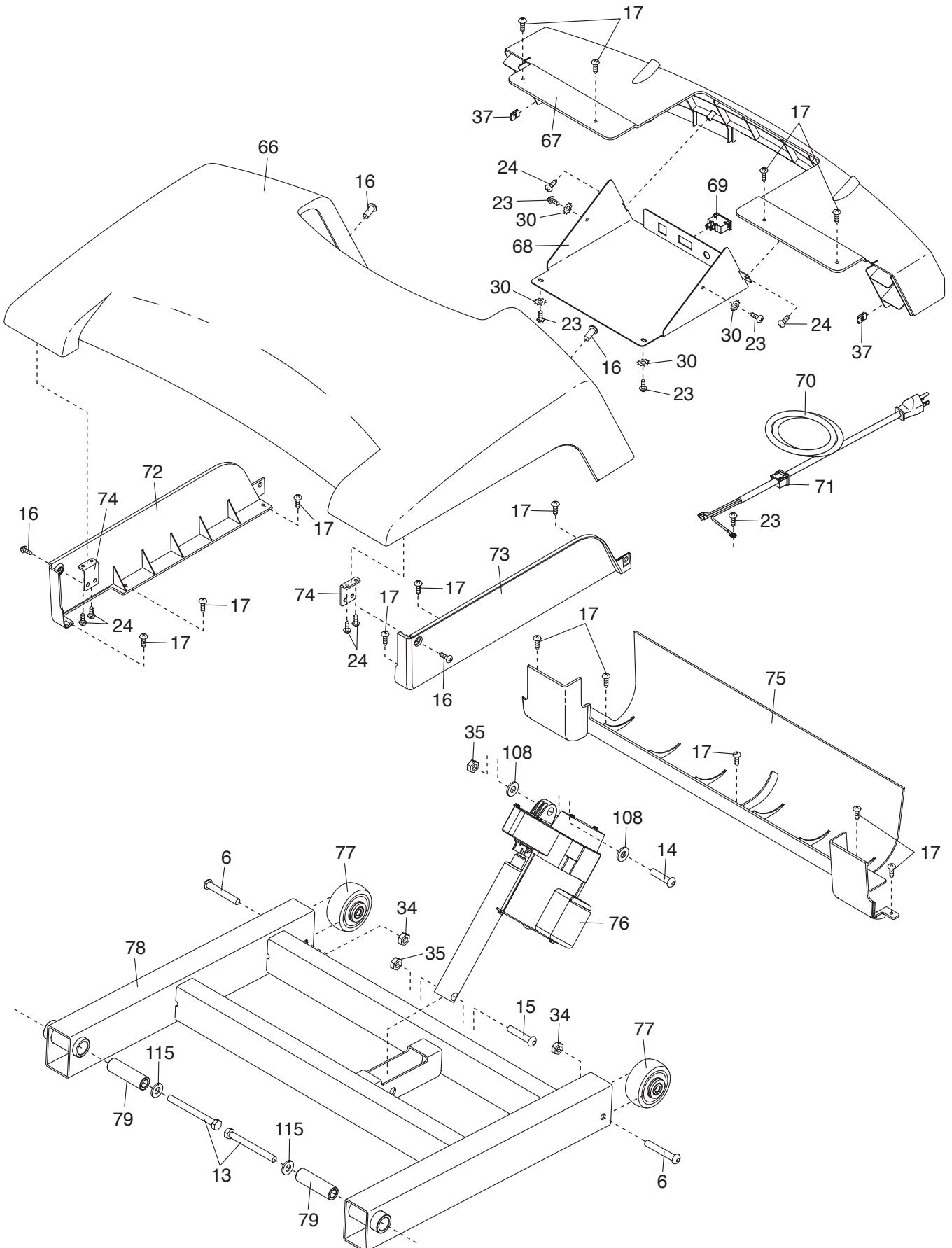
Key No.	Qty.	Description	Key No.	Qty.	Description
1	6	3/8" x 3" Screw	51	1	Reed Switch
2	6	3/8" Star Washer	52	1	Controller
3	6	#8 x 2 1/4" Machine Screw	53	1	Frame
4	2	#8 x 1/2" Cover Screw	54	1	Drive Motor
5	12	3/8" x 1 5/8" Bolt	55	4	Motor Bushing
6	2	3/8" x 2 1/2" Bolt	56	1	Motor Mounting Plate
7	2	5/16" x 2 1/2" Screw	57	1	Motor Belt
8	6	5/16" x 1 1/2" Bolt	58	1	Left Rear Cap Insert
9	6	1/4" x 3/4" Screw	59	1	Rear Cap
10	4	1/4" x 1" Screw	60	1	Left Cap Insert Bracket
11	1	1/4" x 2 1/2" Screw	61	1	Right Rear Cap Insert
12	2	1/4" x 1/2" Bolt	62	2	Rear Platform Bracket Bearing
13	2	1/2" x 3 1/2" Screw	63	1	Idler Roller
14	1	1/2" x 1 5/8" Bolt	64	2	Leveling Foot
15	1	1/2" x 2 1/2" Bolt	65	1	Grommet
16	4	5/16" x 1/2" Screw	66	1	Motor Hood
17	19	#8 x 1/2" Tek Screw	67	1	Front Cap
18	4	#8 x 2 1/2" Screw	68	1	Electronics Bracket
19	6	#8 x 2" Screw	69	1	Power Switch
20	2	#6 x 1/2" Machine Screw	70	1	Power Cord
21	8	1/4" x 3/8" Screw	71	1	Power Cord Grommet
22	2	#10 x 5/16" Screw	72	1	Left Side Cover
23	17	#8 x 1/2" Washer Head Screw	73	1	Right Side Cover
24	16	#8 x 1/2" Screw	74	2	Hood Bracket
25	16	#8 x 3/4" Screw	75	1	Roller Cover
26	8	#3 x 1/4" Screw	76	1	Incline Motor
27	2	#8 x 1" Screw	77	2	Front Wheel
28	8	#6 x 1/2" Screw	78	1	Lift Frame
29	2	1/4" x 3/4" Bolt	79	2	Lift Frame Spacer
30	8	#8 Star Washer	80	1	Upright Cover
31	1	1/4" Star Washer	81	1	Upright
32	2	5/16" Flat Washer	82	1	Bottom Handrail Cover
33	2	5/16" Lock Washer	83	1	Handrail
34	14	3/8" Locknut	84	1	Right Handrail Cover
35	2	1/2" Jam Nut	85	1	Left Handrail Cover
36	2	1/2" Nut	86	1	Handrail Cover
37	2	Cap Clip	87	1	Small Console
38	2	5/16" Locknut	88	1	Pulse Bar Crossbar
39	2	1/4" Flat Washer	89	2	Front Platform Bracket Cover
40	2	1/4" Nut	90	1	Left Upper Pulse Plate
41	1	Right Cap Insert Bracket	91	1	Left Lower Pulse Plate
42	2	#6 Nut	92	1	Left Pulse Plate Base
43	2	Rear Platform Bracket Cover	93	1	Right Upper Pulse Plate
44	1	Walking Platform	94	1	Right Lower Pulse Plate
45	2	Belt Guide	95	1	Right Pulse Plate Base
46	1	Walking Belt	96	14	Cable Tie
47	1	Rear Platform Bracket	97	1	Console Bracket
48	1	Front Platform Bracket	98	1	Console Back
49	2	Platform Cushion	99	1	Access Door
50	1	Magnet	100	2	#6 Flat Washer

Key No.	Qty.	Description	Key No.	Qty.	Description
101	1	Console	122	1	French Warning Decal
102	1	Fan Grill	123	1	Motor Bracket
103	1	Fan Cover	124	2	5/16" x 3/8" Washer Head Screw
104	1	Console Fan	125	2	4" Console Ground Wire
105	1	TV	126	2	M4 x 13mm Screw
106	2	Speaker	127	4	Platform Bracket Bushing
107	1	Key/Clip	128	2	#6 x 5/8" Machine Screw
108	2	Lift Motor Washer	129	4	#8 x 5/8" Machine Screw
109	1	Chest Strap	130	2	#8 x 1/2" Machine Screw
110	1	Sensor	131	2	Console Wire Tie
111	1	Upright Wire	132	6	5/16" x 5/8" Screw
112	1	Hex Key	133	1	TV Remote
113	1	Drive Roller Pulley	134	1	3/8" Star Washer
114	2	Walking Platform Pad	135	1	60" TV Cable
115	2	1/2" Washer	136	1	60" AV Wire
116	4	#8 x 2 1/4" Screw	137	1	96" AV Cable
117	1	Large English Warning Decal	138	2	3/8" Cable Nut
118	1	Large French Warning Decal	139	1	AV Wire Nut
119	2	Caution Decal	140	2	Small Plastic Washer
120	1	Voltage Warning Decal	*	-	User's Manual
121	2	English Warning Decal			

Note: Specifications are subject to change without notice. For information about ordering replacement parts, see the back cover of this manual. *These parts are not illustrated.

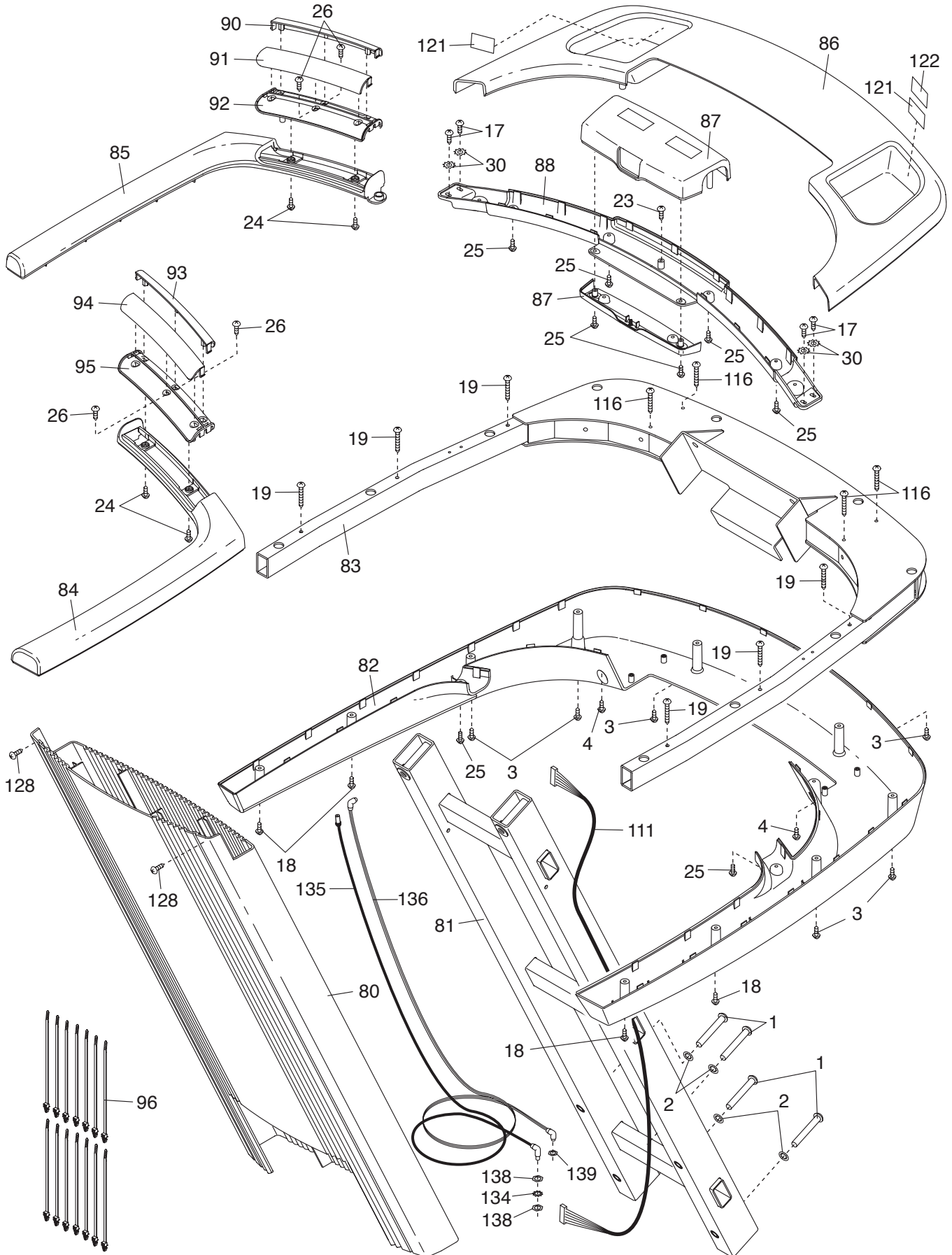
EXPLODED DRAWING B

Model No. VMTL34808.1 R0312A



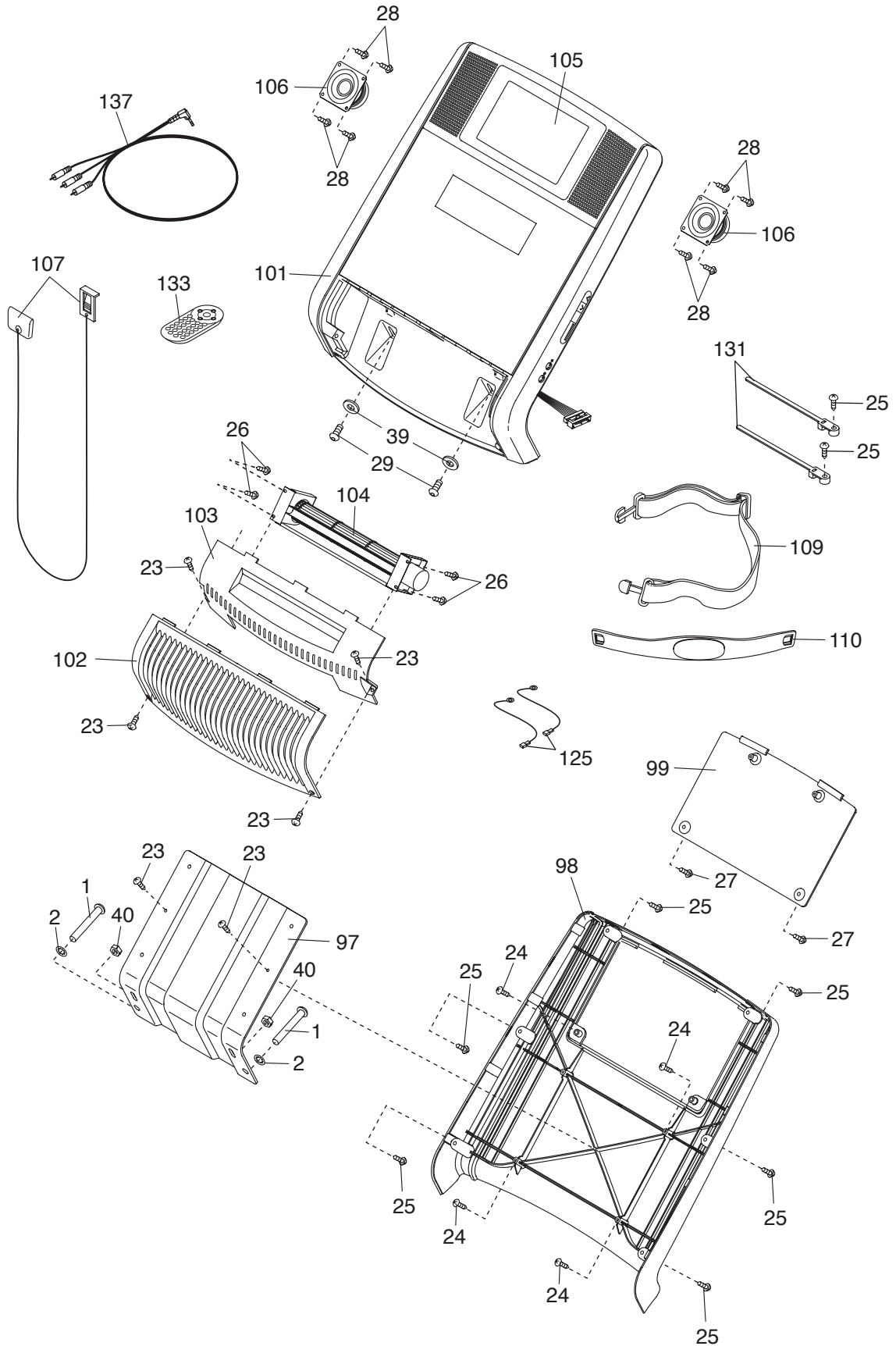
EXPLODED DRAWING C

Model No. VMTL34808.1 R0312A



EXPLODED DRAWING D

Model No. VMTL34808.1 R0312A



HOW TO CONTACT CUSTOMER CARE

If you have questions after reading this manual, or if parts are damaged or missing, **please contact the store where you purchased this product.** If you are unable to contact the store, contact Customer Care at one of the phone numbers or addresses listed below. **Please note the model number, serial number, and name of the product (see the front cover of this manual) before contacting Customer Care. If you are ordering replacement parts, please also note the key number and description of each part (see the PART LIST and the EXPLODED DRAWING near the end of this manual).**

In the United States

Call: 1-866-799-8946, Mon.–Fri. 8 a.m.–5 p.m. MT
Email: fmfvmcustomerservice@freemotionfitness.com

Write:

FreeMotion Fitness
1500 South 1000 West
Logan, UT 84321-9813
United States

Outside the United States

Call: 001-435-786-3521
Email: intlcustomercare@freemotionfitness.com

LIMITED WARRANTY

FreeMotion Fitness warrants this product to be free from defects in workmanship and material under normal use and service conditions. The warranty period commences on the invoice date of purchase. Any parts repaired or replaced during this warranty period will be warranted for the remainder of the original warranty period.

WARRANTY PERIODS AND COVERAGE

Residential

Frame: Lifetime
Deck Breakage: Lifetime
Motor: 3 years
Parts: 2 years
Labor: 1 year

Light Commercial

Frame: Lifetime
Deck Breakage: Lifetime
Motor: 3 years
Parts: 2 years
Labor: 1 year

Light commercial use is defined as a non-dues-paying institutional setting to include hotels, apartment fitness centers, corporate fitness centers, fire/police stations, and hospital/physical therapy settings. This product is not intended to be used in large, heavy-use settings such as health clubs, colleges/universities, community centers, or military installations. Use of this product in such facilities will void this warranty.

CONDITIONS AND LIMITATIONS

The following will void the warranty on this product:

1. This warranty applies only to the original owner and is non-transferable.
2. The labor warranty applies only to products sold in the US and Canada. Contact your authorized FreeMotion Fitness dealer for details on labor coverage in your country.
3. Any misuse, abuse, or improper service.
4. Users who weigh more than 400 lbs. (181 kg).
5. Damage caused by moving the product or improper storage including moving or storing the product on its side.
6. Use or storage of the product outdoors or in high-humidity environments including spa and pool areas.

7. Damage caused by improper wiring or insufficient electrical current.

This warranty shall not apply to the following:

1. Cosmetic items including grips, seats, decals, and labels.
2. Pick-up, delivery, or freight charges involved with a repair.
3. Any problem as a result of improper assembly or delivery.

WHAT TO DO IF SERVICE IS REQUIRED

FreeMotion Fitness warranty service may be obtained by contacting the authorized dealer from which you purchased this product. Make sure to retain your original invoice and serial number information. If this product experiences a failure under the warranty terms set forth, FreeMotion Fitness shall provide at their option either repair, replacement, or refund of the purchase price. FreeMotion Fitness compensates service providers for warranty trips within their service area. You may be charged additionally for service calls beyond this service area.

FreeMotion Fitness is not responsible or liable for indirect, special, or consequential damages arising out of or in connection with the use or performance of the product; damages with respect to any economic loss, loss of property, loss of revenues or profits, loss of enjoyment or use, or cost of removal or installation; or other consequential damages. Some states do not allow the exclusion or limitation of consequential damages. Accordingly, the above limitation may not apply to you. This warranty gives you specific rights, and you may have other rights that vary from state to state.

TO CONTACT FREEMOTION FITNESS

See HOW TO CONTACT CUSTOMER CARE above.