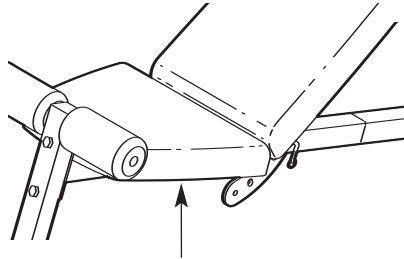


WEIDER® 130

Model No. WEBE0377.0

Serial No. _____

Write the serial number in the space above for future reference.



Serial Number Decal (Under Seat)

USER'S MANUAL

QUESTIONS?

As a manufacturer, we are committed to providing complete customer satisfaction. If you have questions, or if a part is damaged or missing, PLEASE CONTACT OUR CUSTOMER SERVICE DEPARTMENT DIRECTLY.

CALL TOLL-FREE:

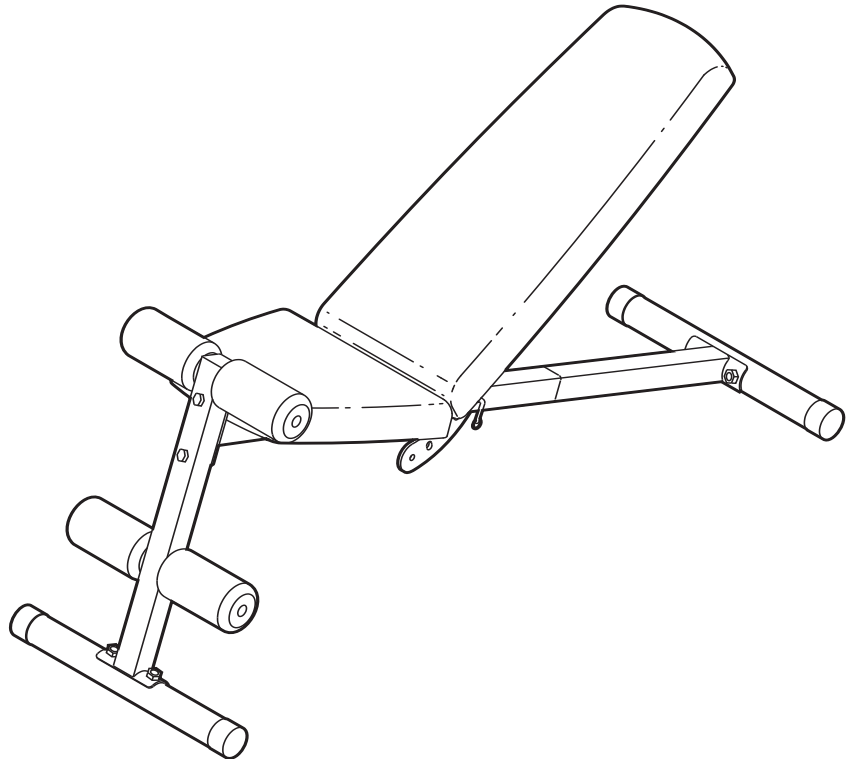
1-877-992-5999

Mon.–Fri. 6 a.m.–6 p.m. MST

Sat. 8 a.m.–4 p.m. MST

ON THE WEB:

www.weiderfitness.com



CAUTION

Read all precautions and instructions in this manual before using this equipment. Save this manual for future reference.



Visit our website at

www.weiderfitness.com

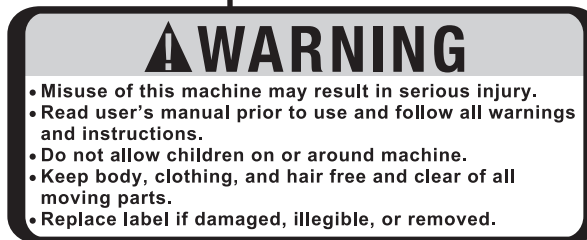
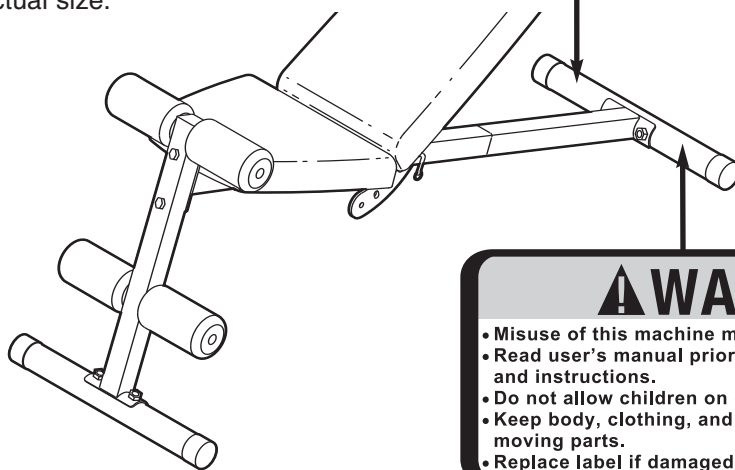
new products, prizes,
fitness tips, and much more!

TABLE OF CONTENTS


WARNING DECAL PLACEMENT	2
IMPORTANT PRECAUTIONS	3
BEFORE YOU BEGIN	4
PART IDENTIFICATION CHART	5
ASSEMBLY	6
ADJUSTMENT	10
EXERCISE GUIDELINES	11
PART LIST	14
EXPLODED DRAWING	15
ORDERING REPLACEMENT PARTS	Back Cover
LIMITED WARRANTY	Back Cover

WARNING DECAL PLACEMENT

The decals shown here have been applied to the weight bench. **If a decal is missing or illegible, call the telephone number on the front cover of this manual and request a free replacement decal. Apply the decal in the location shown.** Note: The decals may not be shown at actual size.



IMPORTANT PRECAUTIONS

 WARNING: To reduce the risk of serious injury, read all important precautions and instructions in this manual and all warnings on the weight bench before using the weight bench. ICON assumes no responsibility for personal injury or property damage sustained by or through the use of the weight bench.

1. Before beginning any exercise program, consult your physician. This is especially important for persons over the age of 35 or persons with pre-existing health problems.
2. It is the responsibility of the owner to ensure that all users of the weight bench are adequately informed of all precautions.
3. The weight bench is intended for home use only. Do not use the weight bench in a commercial, rental, or institutional setting.
4. Keep the weight bench indoors, away from moisture and dust. Place the weight bench on a level surface, with a mat beneath it to protect the floor or carpet. Make sure that there is enough clearance around the weight bench to mount, dismount, and use it.
5. Keep children under age 12 and pets away from the weight bench at all times.
6. Inspect and properly tighten all parts regularly. Replace any worn parts immediately.
7. Make sure that the locking pin is fully engaged before the weight bench is used.
8. Wear appropriate clothes while exercising. Always wear athletic shoes for foot protection while exercising.
9. The weight bench is designed to support a maximum user weight of 300 lbs. (133 kg) and a maximum total weight of 400 lbs. (181 kg). Do not use the weight bench with more than 100 lbs. (45 kg) of weight. Note: The weight bench does not include weights.
10. If you feel pain or dizziness while exercising, stop immediately and cool down.
11. Use the weight bench only as described in this manual.

BEFORE YOU BEGIN

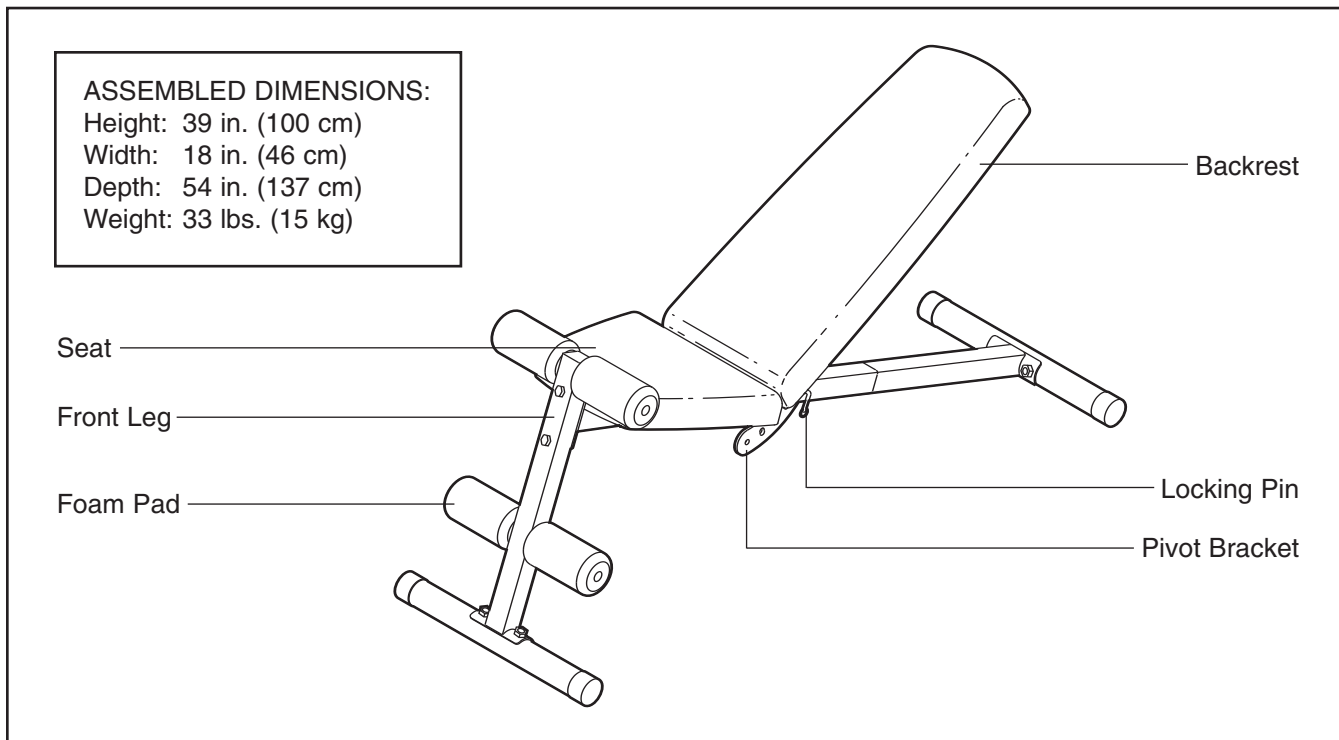
Thank you for selecting the new WEIDER® 130 weight bench. The weight bench is designed to be used with your own weights to develop the major muscles of your upper body.

For your benefit, read this manual carefully before using the weight bench. If you have questions after reading this manual, please see the front cover of this manual. To help us assist you, note the product model number and serial number before contacting us. The

model number and the location of the serial number decal are shown on the front cover of this manual.

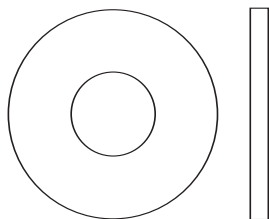
To avoid a registration fee for any service needed under warranty, you must register the weight bench at www.weiderservice.com/registration.

Before reading further, please review the drawing below and familiarize yourself with the parts that are labeled.

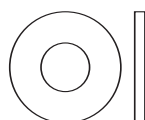


PART IDENTIFICATION CHART

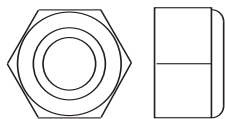
See the drawings below to identify small parts used in assembly. The number in parentheses below each drawing is the key number of the part, from the PART LIST on page 14. **Note: Some small parts may have been pre-attached. If a part is not in the parts bag, check to see if it has been preattached.**



M10 Large Washer (20)



M6 Washer (22)



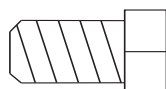
M10 Nylon Locknut (19)



M8 Nylon Locknut (27)



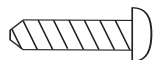
M10 x 25mm Bolt (25)



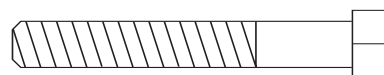
M8 x 15mm Bolt (29)



M6 x 16mm Bolt (24)



M4 x 16mm Screw (28)



M6 x 45mm Bolt (16)



M10 x 63mm Carriage Bolt (18)



M10 x 65mm Bolt (17)



M8 x 68mm Bolt (26)



M10 x 85mm Bolt (23)

ASSEMBLY

Make Assembly Easier

Everything in this manual is designed to ensure that the weight bench can be assembled successfully by almost anyone. By setting aside plenty of time, assembly will go smoothly.

Before beginning assembly, carefully read the following information and instructions:

- To hire an authorized service technician to assemble the weight bench, call 1-800-445-2480.
- Assembly requires two persons.
- Because of its size, the weight bench should be assembled in the location where it will be used. Make sure that there is enough clearance to walk around the weight bench as you assemble it.
- Place all parts in a cleared area and remove the packing materials. Do not dispose of the packing materials until assembly is completed.

- Tighten all parts as you assemble them, unless instructed to do otherwise.
- As you assemble the weight bench, make sure all parts are oriented as shown in the drawings.
- For help identifying small parts, use the PART IDENTIFICATION CHART on page 5.
- Assembly requires the following tools (not included):

two adjustable wrenches 

one rubber mallet 

one standard screwdriver 

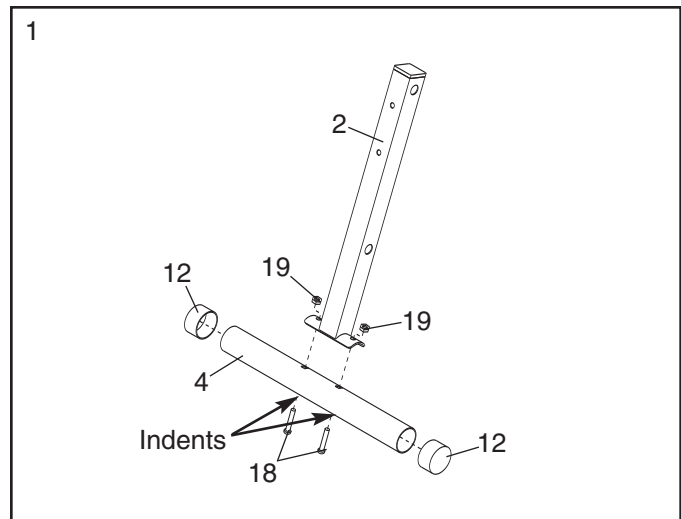
one Phillips screwdriver 

Assembly may be more convenient if you have a socket set, a set of open-end or closed-end wrenches, or a set of ratchet wrenches.

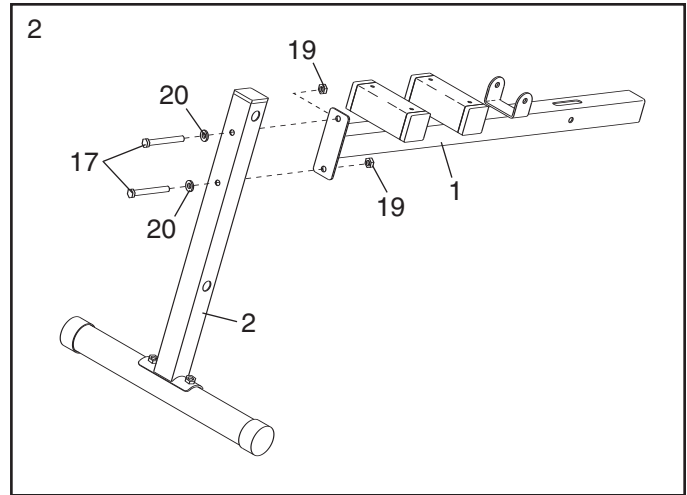
1. **Before beginning assembly, make sure that you have read and understand the information in the box above.**

Press two 50mm Round Outer Caps (12) onto the Stabilizer (4) that does not have warning decals.

Orient the Stabilizer (4) so that the indents are in the position shown, and attach the Stabilizer to the Front Leg (2) with two M10 x 63mm Carriage Bolts (18) and two M10 Nylon Locknuts (19). **Do not tighten the Nylon Locknuts yet.**



- Attach the Front Leg (2) to the Frame (1) with two M10 x 65mm Bolts (17), two M10 Large Washers (20), and two M10 Nylon Locknuts (19). **Do not tighten the Nylon Locknuts yet.**

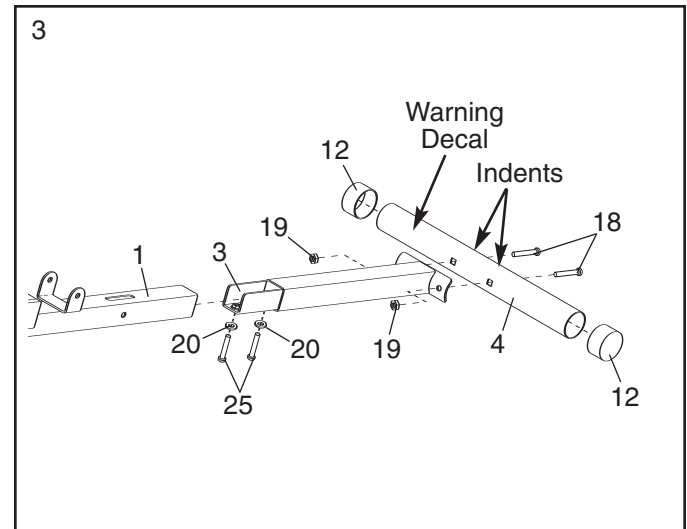


- Press two 50mm Round Outer Caps (12) onto the other Stabilizer (4).

Orient the Stabilizer (4) so that the indents and the decals are in the positions shown, and attach the Stabilizer to the Rear Leg (3) with two M10 x 63mm Carriage Bolts (18) and two M10 Nylon Locknuts (19). **Do not tighten the Nylon Locknuts yet.**

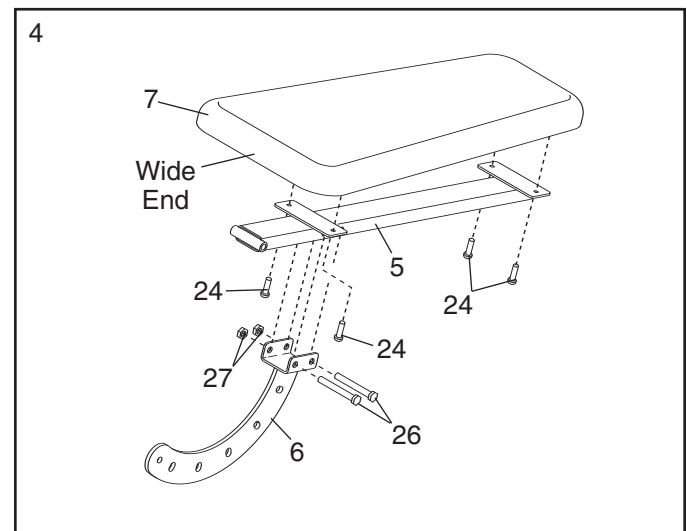
Attach the Rear Leg (3) to the Frame (1) with two M10 x 25mm Bolts (25) and two M10 Large Washers (20).

Tighten the M10 Nylon Locknuts (19) used in steps 1–3.



- Orient the Pivot Bracket (6) as shown, and attach it to the Backrest Frame (5) with two M8 x 68mm Bolts (26) and two M8 Nylon Locknuts (27).

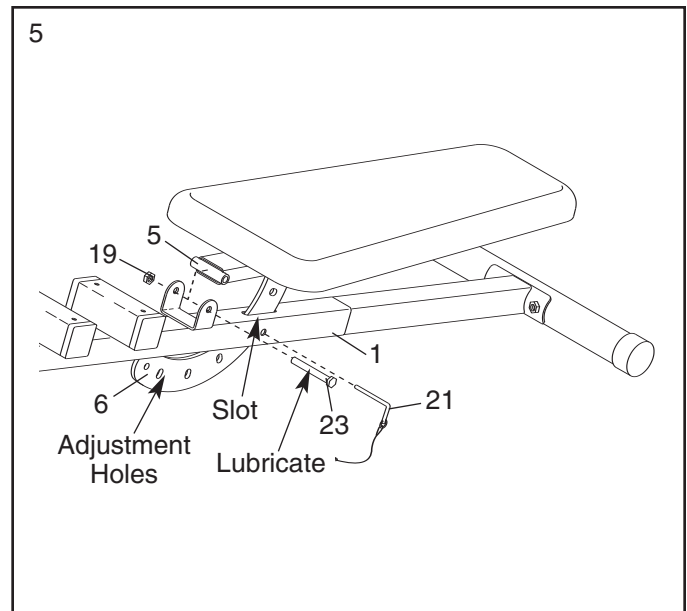
Orient the Backrest (7) as shown, and attach it to the Backrest Frame (5) with four M6 x 16mm Bolts (24).



5. Insert the Pivot Bracket (6) into the slot in the Frame (1).

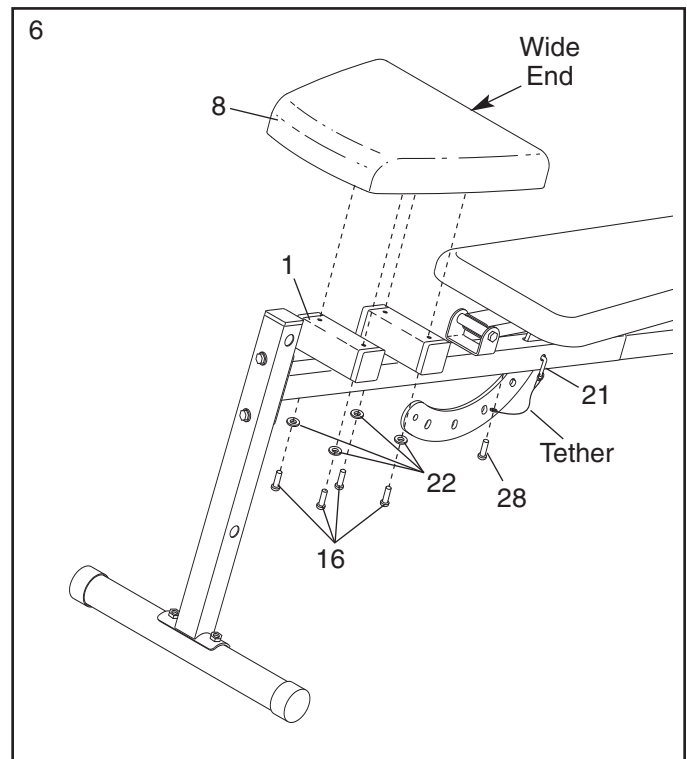
Apply some of the included grease to the M10 x 85mm Bolt (23). Attach the Backrest Frame (5) to the Frame (1) with the Bolt and an M10 Nylon Locknut (19). **Do not overtighten the Nylon Locknut; the Backrest Frame must pivot easily.**

Insert the Locking Pin (21) into the Frame (1) and through an adjustment hole in the Pivot Bracket (6).



6. Attach the tether on the Locking Pin (21) to the bottom of the Frame (1) with an M4 x 16mm Screw (28).

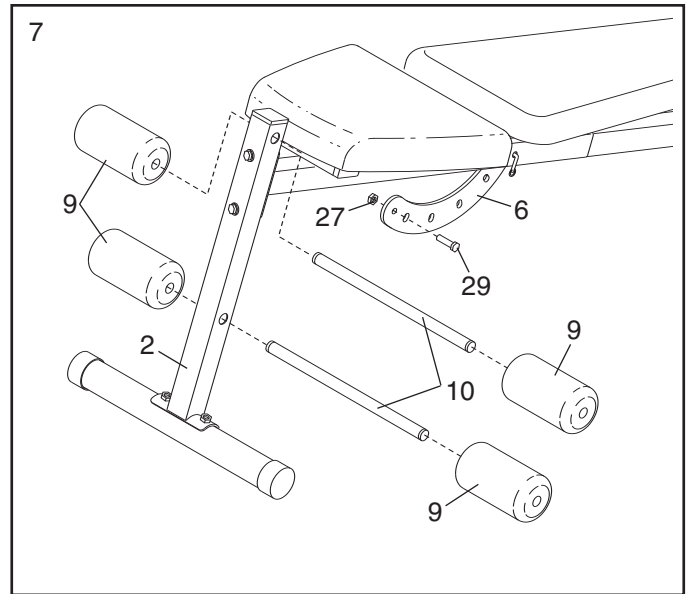
Orient the Seat (8) as shown, and attach it to the Frame (1) with four M6 x 45mm Bolts (16) and four M6 Washers (22).



7. Attach an M8 x 15mm Bolt (29) and an M8 Nylon Locknut (27) to the last hole in the Pivot Bracket (6).

Insert the two Pad Tubes (10) into the Front Leg (2). Slide the four Foam Pads (9) onto the Pad Tubes.

8. **Make sure that all parts are properly tightened before you use the weight bench.**



ADJUSTMENT

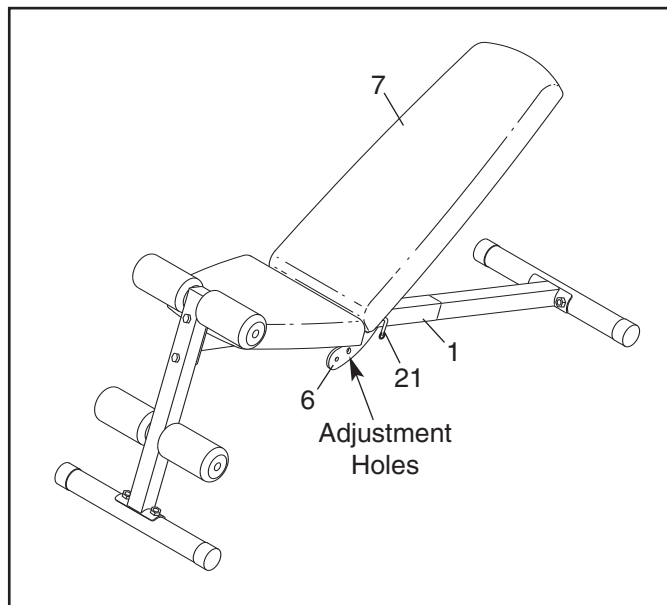
This section explains how to adjust the weight bench. See EXERCISE GUIDELINES on page 11 for important information about how to get the most benefit from your exercise program. Also, refer to the accompanying exercise guide to see the correct form for several exercises.

Make sure all parts are properly tightened each time you use the weight bench. Replace any worn parts immediately. The weight bench can be cleaned with a damp cloth and a mild, non-abrasive detergent; do not use solvents.

ADJUSTING THE BACKREST

The Backrest (7) can be used in a declined position, a level position, or any of three inclined positions. To adjust the Backrest, first remove the Locking Pin (21) from the Frame (1). Move the Backrest to the desired position, and reinsert the Locking Pin into the Frame and an adjustment hole in the Pivot Bracket (6).

⚠ WARNING: Make sure that the Locking Pin (21) is fully inserted through the Frame (1) and the Pivot Bracket (6).



EXERCISE GUIDELINES

THE FOUR BASIC TYPES OF WORKOUTS

Muscle Building

To increase the size and strength of your muscles, push them close to their maximum capacity. Your muscles will continually adapt and grow as you progressively increase the intensity of your exercise. You can adjust the intensity level of an individual exercise in two ways:

- by changing the amount of resistance used
- by changing the number of repetitions or sets performed. (A “repetition” is one complete cycle of an exercise, such as one sit-up. A “set” is a series of repetitions.)

The proper amount of resistance for each exercise depends upon the individual user. You must gauge your limits and select the amount of resistance that is right for you. Begin with 3 sets of 8 repetitions for each exercise you perform. Rest for 3 minutes after each set. When you can complete 3 sets of 12 repetitions without difficulty, increase the amount of resistance.

Toning

You can tone your muscles by pushing them to a moderate percentage of their capacity. Select a moderate amount of resistance and increase the number of repetitions in each set. Complete as many sets of 15 to 20 repetitions as possible without discomfort. Rest for 1 minute after each set. Work your muscles by completing more sets rather than by using high amounts of resistance.

Weight Loss

To lose weight, use a low amount of resistance and increase the number of repetitions in each set. Exercise for 20 to 30 minutes, resting for a maximum of 30 seconds between sets.

Cross Training

Cross training is an efficient way to get a complete and well-balanced fitness program. An example of a balanced program follows:

- Plan strength training workouts on Monday, Wednesday, and Friday.
- Plan 20 to 30 minutes of aerobic exercise, such as running on a treadmill or riding on an elliptical exerciser or exercise cycle, on Tuesday and Thursday.
- Rest from both strength training and aerobic exercise for at least one full day each week to give your body time to regenerate.

The combination of strength training and aerobic exercise will reshape and strengthen your body, plus develop your heart and lungs.

PERSONALIZING YOUR EXERCISE PROGRAM

Determining the appropriate length of time for each workout, and the numbers of repetitions and sets to complete, is an individual matter. Avoid overdoing it during the first few months of your exercise program. Progress at your own pace and be sensitive to your body’s signals. If you experience pain or dizziness while exercising, stop immediately and cool down. Find out what is wrong before continuing. Remember that adequate rest and a proper diet are important factors in any exercise program.

WARMING UP

Begin each workout with 5 to 10 minutes of stretching and light exercise to warm up. Warming up prepares your body for more strenuous exercise by increasing circulation, raising your body temperature and delivering more oxygen to your muscles.

WORKING OUT

Each workout should include 6 to 10 different exercises. Select exercises for every major muscle group, emphasizing areas that you want to develop most. To give balance and variety to your workouts, vary the exercises from workout to workout.

Schedule your workouts for the time of day when your energy level is the highest. Each workout should be followed by at least one day of rest. Once you find the schedule that is right for you, stick with it.

EXERCISE FORM

Maintaining proper form is an essential part of an effective exercise program. This requires moving through the full range of motion for each exercise, and moving only the appropriate parts of the body. Exercising in an uncontrolled manner will leave you feeling exhausted. On the exercise guide accompanying this manual you will find photographs showing the correct form for several exercises, and a list of the muscles affected. See the muscle chart on the next page to find the names of the muscles.

The repetitions in each set should be performed smoothly and without pausing. The exertion stage of each repetition should last about half as long as the return stage. Proper breathing is important. Exhale during the exertion stage of each repetition and inhale during the return stroke. Never hold your breath.

Rest for a short period of time after each set. The ideal resting periods follow:

- Rest for three minutes after each set for a muscle building workout.
- Rest for one minute after each set for a toning workout.
- Rest for 30 seconds after each set for a weight loss workout.

Plan to spend the first couple of weeks familiarizing yourself with the equipment and learning the proper form for each exercise.

COOLING DOWN

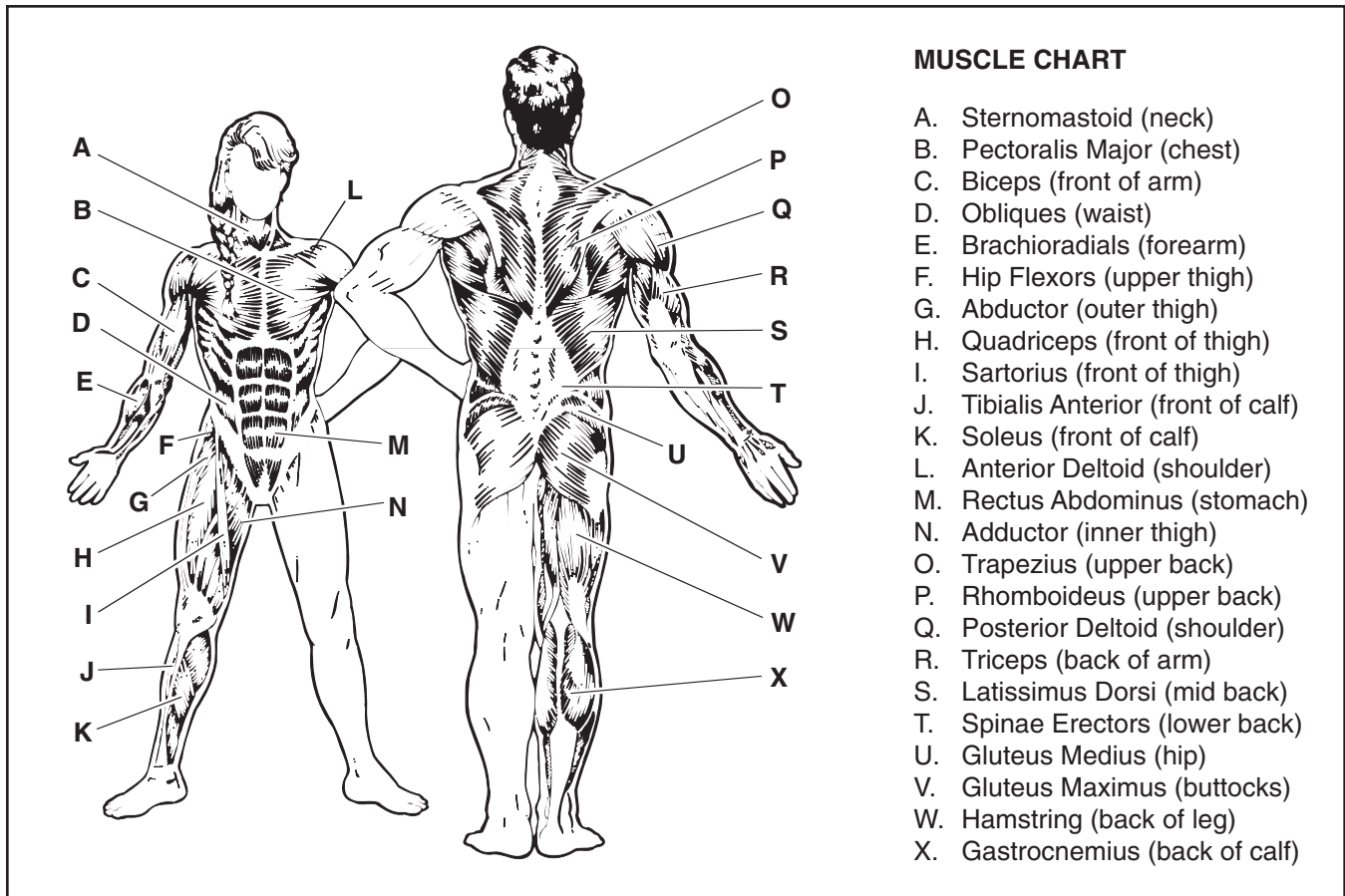
End each workout with 5 to 10 minutes of stretching. Include stretches for both your arms and legs. Move

slowly as you stretch and do not bounce. Ease into each stretch gradually and go only as far as you can without strain. Stretching at the end of each workout is an effective way to increase flexibility.

STAYING MOTIVATED

For motivation, keep a record of each workout. List the date, the exercises performed, the resistance used, and the numbers of sets and repetitions completed. Make copies of the exercise logs found on page 13. Use the logs to record your weight and key body measurements at the end of every month.

Remember, the key to achieving the greatest results is to make exercise a regular and enjoyable part of your everyday life.



MUSCLE CHART

- A. Sternomastoid (neck)
- B. Pectoralis Major (chest)
- C. Biceps (front of arm)
- D. Obliques (waist)
- E. Brachioradialis (forearm)
- F. Hip Flexors (upper thigh)
- G. Abductor (outer thigh)
- H. Quadriceps (front of thigh)
- I. Sartorius (front of thigh)
- J. Tibialis Anterior (front of calf)
- K. Soleus (front of calf)
- L. Anterior Deltoid (shoulder)
- M. Rectus Abdominus (stomach)
- N. Adductor (inner thigh)
- O. Trapezius (upper back)
- P. Rhomboideus (upper back)
- Q. Posterior Deltoid (shoulder)
- R. Triceps (back of arm)
- S. Latissimus Dorsi (mid back)
- T. Spinae Erectors (lower back)
- U. Gluteus Medius (hip)
- V. Gluteus Maximus (buttocks)
- W. Hamstring (back of leg)
- X. Gastrocnemius (back of calf)

MONDAY	EXERCISE	WEIGHT	SETS	REPS
Date: ____ / ____ / ____				

TUESDAY AEROBIC EXERCISE

Date:
____ / ____ / ____

WEDNESDAY	EXERCISE	WEIGHT	SETS	REPS
Date: ____ / ____ / ____				

THURSDAY AEROBIC EXERCISE

Date:
____ / ____ / ____

FRIDAY	EXERCISE	WEIGHT	SETS	REPS
Date: ____ / ____ / ____				

Make photocopies of this page for scheduling and recording your workouts.

PART LIST—Model No. WEBE0377.0

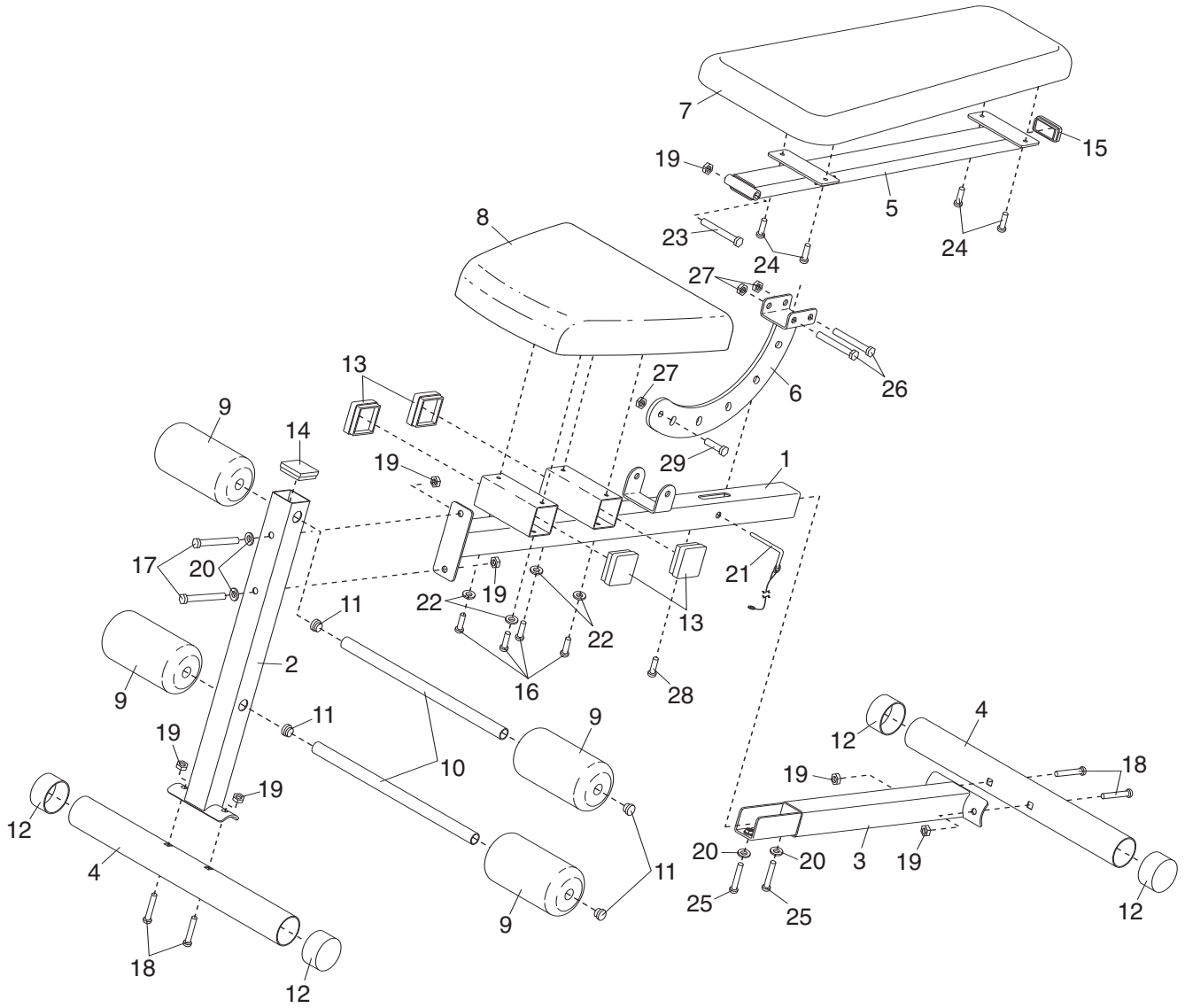
R0607A

Key No.	Qty.	Description	Key No.	Qty.	Description
1	1	Frame	17	2	M10 x 65mm Bolt
2	1	Front Leg	18	4	M10 x 63mm Carriage Bolt
3	1	Rear Leg	19	7	M10 Nylon Locknut
4	2	Stabilizer	20	4	M10 Large Washer
5	1	Backrest Frame	21	1	Locking Pin
6	1	Pivot Bracket	22	4	M6 Washer
7	1	Backrest	23	1	M10 x 85mm Bolt
8	1	Seat	24	4	M6 x 16mm Bolt
9	4	Foam Pad	25	2	M10 x 25mm Bolt
10	2	Pad Tube	26	2	M8 x 68mm Bolt
11	4	19mm Round Inner Cap	27	3	M8 Nylon Locknut
12	4	50mm Round Outer Cap	28	1	M4 x 16mm Screw
13	4	32mm Square Inner Cap	29	1	M8 x 15mm Bolt
14	1	45mm Square Inner Cap	*	—	User's Manual
15	1	25mm x 50mm Inner Cap	*	—	Exercise Guide
16	4	M6 x 45mm Bolt	*	—	Grease Packet

Note: Specifications are subject to change without notice. See the back cover of this manual for information about ordering replacement parts. *These parts are not illustrated.

EXPLODED DRAWING—Model No. WEBE0377.0

R0607A



ORDERING REPLACEMENT PARTS

To order replacement parts, please see the front cover of this manual. To help us assist you, be prepared to provide the following information when contacting us:

- the model number and serial number of the product (see the front cover of the manual)
- the name of the product (see the front cover of this manual)
- the key number and description of the part(s) (see the PART LIST and the EXPLODED DRAWING near the end of this manual)

LIMITED WARRANTY

ICON Health & Fitness, Inc. (ICON) warrants this product to be free from defects in workmanship and material, under normal use and service conditions, for a period of ninety (90) days from the date of purchase. This warranty extends only to the original purchaser. ICON's obligation under this warranty is limited to replacing or repairing, at ICON's option, the product through one of its authorized service centers. All repairs for which warranty claims are made must be preauthorized by ICON. If the product is shipped to a service center, freight charges to and from the service center will be the customer's responsibility. For in-home service, the customer will be responsible for a minimal trip charge. This warranty does not extend to any product or damage to a product caused by or attributable to freight damage, abuse, misuse, improper or abnormal usage or repairs not provided by an ICON authorized service center; products used for commercial or rental purposes; or products used as store display models. No other warranty beyond that specifically set forth above is authorized by ICON.

ICON is not responsible or liable for indirect, special or consequential damages arising out of or in connection with the use or performance of the product or damages with respect to any economic loss, loss of property, loss of revenues or profits, loss of enjoyment or use, costs of removal or installation or other consequential damages of whatsoever nature. Some states do not allow the exclusion or limitation of incidental or consequential damages. Accordingly, the above limitation may not apply to you.

The warranty extended hereunder is in lieu of any and all other warranties and any implied warranties of merchantability or fitness for a particular purpose is limited in its scope and duration to the terms set forth herein. Some states do not allow limitations on how long an implied warranty lasts. Accordingly, the above limitation may not apply to you.

This warranty gives you specific legal rights. You may also have other rights which vary from state to state.

ICON HEALTH & FITNESS, INC., 1500 S. 1000 W., LOGAN, UT 84321-9813