

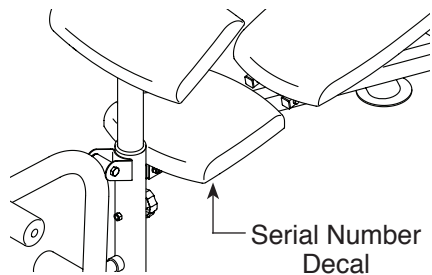
WEIDER® 190 RX

www.weiderfitness.com

Model No. WEBE30112.0

Serial No. _____

Write the serial number in the space above for reference.



USER'S MANUAL

QUESTIONS?

If you have questions, or if parts are damaged or missing, **DO NOT CONTACT THE STORE**; please contact Customer Care.

IMPORTANT: Please register this product (see the limited warranty on the back cover of this manual) before contacting Customer Care.

CALL TOLL-FREE:

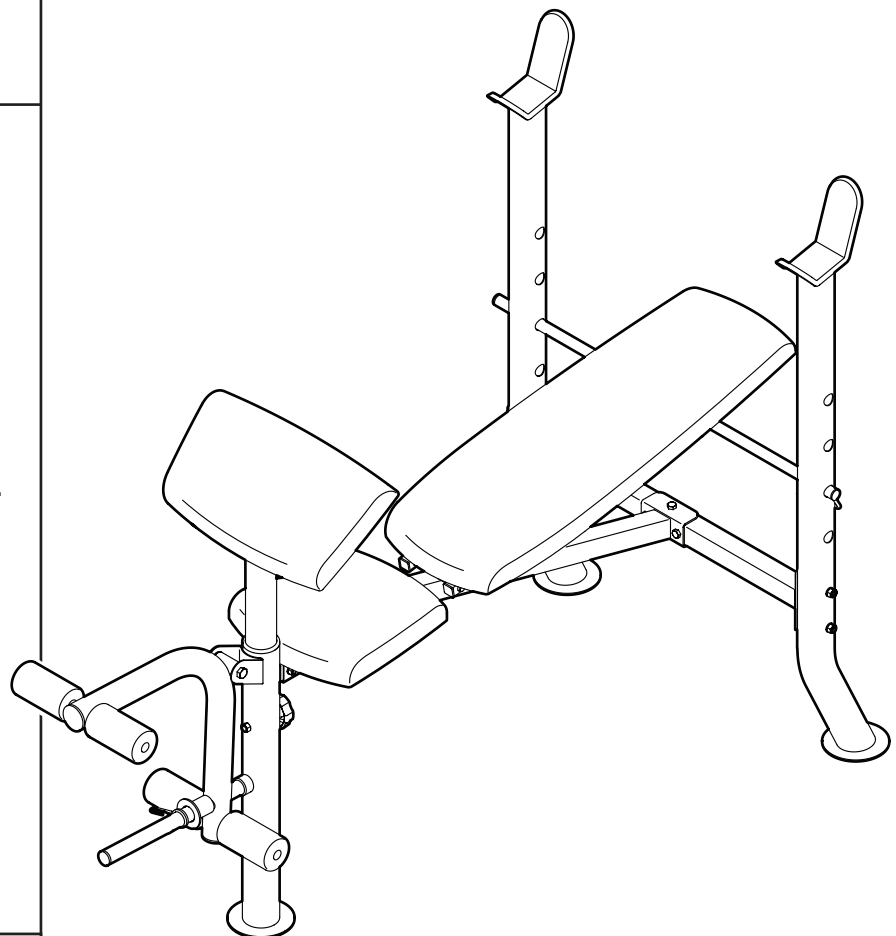
1-877-992-5999

Mon.–Fri., 6 a.m.–6 p.m. MT

Sat. 8 a.m.–4 p.m. MT

ON THE WEB:

www.weiderservice.com



CAUTION

Read all precautions and instructions in this manual before using this equipment. Keep this manual for future reference.

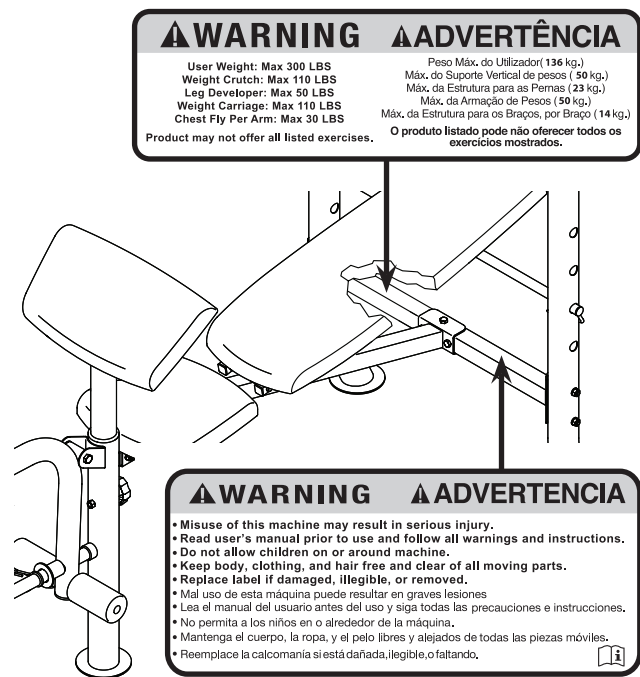


TABLE OF CONTENTS

WARNING DECAL PLACEMENT	2
IMPORTANT PRECAUTIONS	3
BEFORE YOU BEGIN	4
PART IDENTIFICATION CHART	5
ASSEMBLY	6
ADJUSTMENT	11
EXERCISE GUIDELINES	13
PART LIST	14
EXPLODED DRAWING	15
ORDERING REPLACEMENT PARTS	Back Cover
LIMITED WARRANTY	Back Cover

WARNING DECAL PLACEMENT

This drawing shows the location(s) of the warning decal(s). **If a decal is missing or illegible, see the front cover of this manual and request a free replacement decal. Apply the decal in the location shown.** Note: The decal(s) may not be shown at actual size.



IMPORTANT PRECAUTIONS

⚠️ WARNING: To reduce the risk of serious injury, read all important precautions and instructions in this manual and all warnings on your weight bench before using your weight bench. ICON assumes no responsibility for personal injury or property damage sustained by or through the use of this product.

1. It is the responsibility of the owner to ensure that all users of the weight bench are adequately informed of all precautions.
2. Before beginning any exercise program, consult your physician. This is especially important for persons over age 35 or persons with pre-existing health problems.
3. Use the weight bench only as described in this manual.
4. The weight bench is intended for home use only. Do not use the weight bench in any commercial, rental, or institutional setting.
5. Keep the weight bench indoors, away from moisture and dust. Do not put the weight bench in a garage or covered patio, or near water.
6. Place the weight bench on a level surface, with enough clearance around the weight bench to mount, dismount, and use the weight bench.
7. Inspect and properly tighten all parts regularly. Replace any worn parts immediately.
8. Keep children under age 12 and pets away from the weight bench at all times.
9. Keep hands and feet away from moving parts.
10. Always wear athletic shoes for foot protection while using the weight bench.
11. The weight bench is designed to support a maximum user weight of 300 lbs. (136 kg), and a maximum total weight of 410 lbs. (186 kg). Do not place more than 110 lbs. (50 kg), including a barbell and weights, on the weight rests. Do not place more than 50 lbs. (23 kg) on the leg lever. Note: No barbell or weights are included.
12. Do not use a barbell that is longer than 5 ft. (1.5 m) with the weight bench.
13. Always place the same amount of weight on both ends of a barbell. While adding or removing weights, always keep some weight on both ends of a barbell to prevent the barbell from tipping.
14. Before using the leg lever, place a barbell with the same amount of weight on the weight rests to balance the bench. Always secure weights with the spring clip.
15. Before using the backrest in an inclined position or a level position, make sure that the backrest support is inserted fully into the uprights and that it is turned to the locked position.
16. Over exercising may result in serious injury or death. If you feel faint or if you experience pain while exercising, stop immediately and cool down.

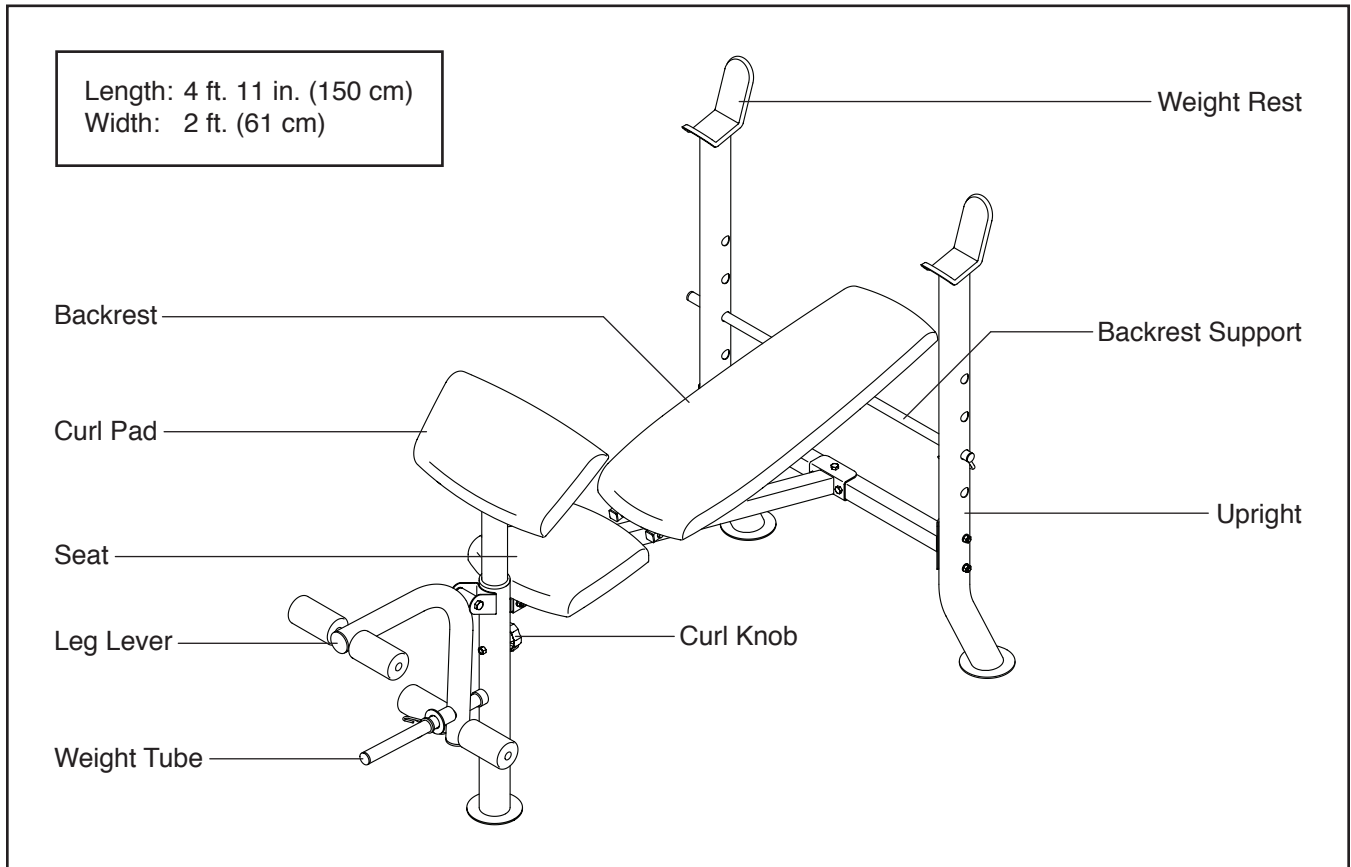
BEFORE YOU BEGIN

Thank you for selecting the WEIDER® 190 RX weight bench. The versatile 190 RX weight bench is designed to develop every major muscle group of the body. Whether your goal is to have a shapely figure, dramatic muscle size and strength, or a healthier cardiovascular system, the weight bench will help you to achieve the specific results you want.

For your benefit, read this manual carefully before using the weight bench. If you have questions after

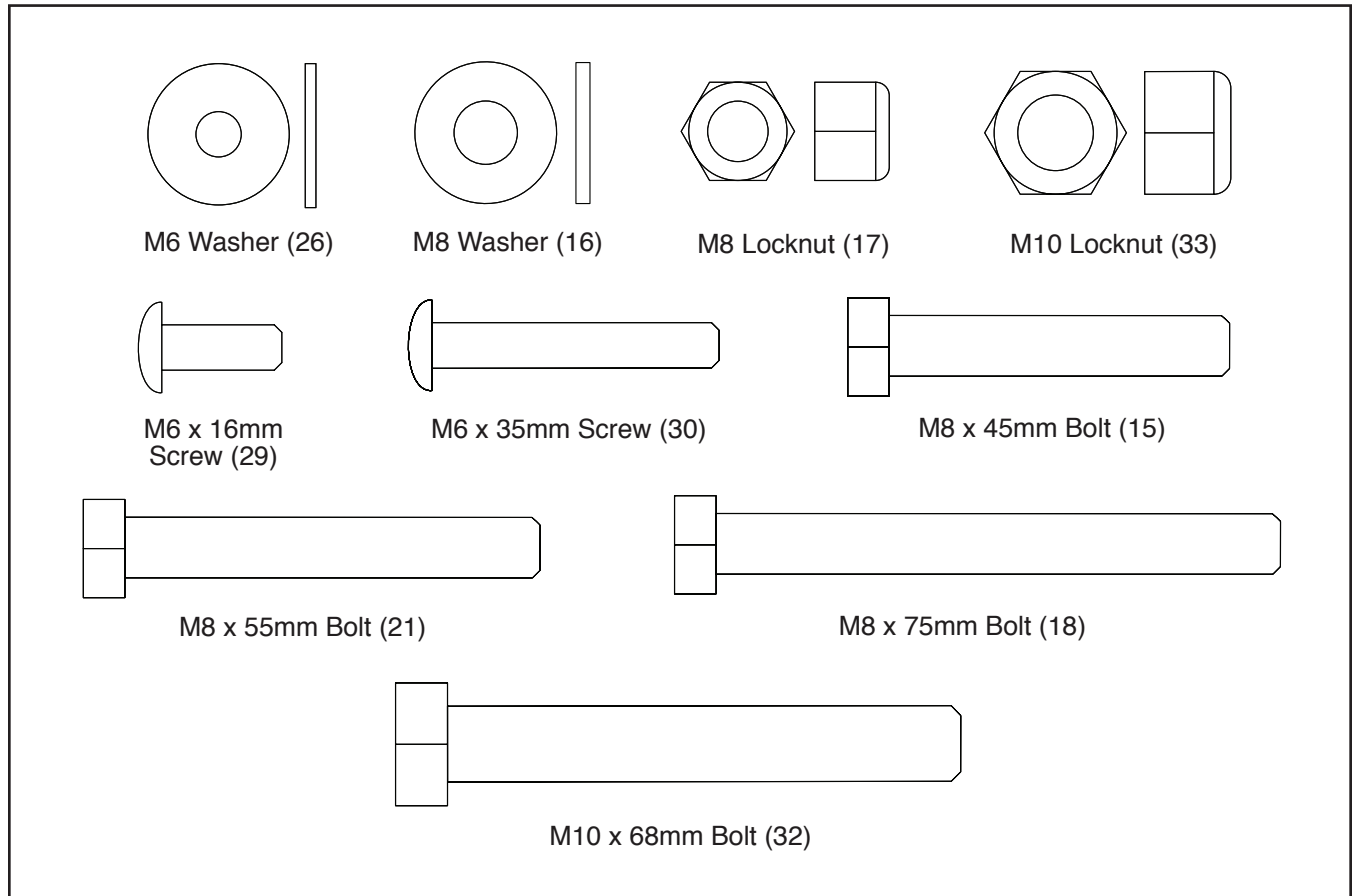
reading this manual, please see the front cover of this manual. To help us assist you, note the product model number and serial number before contacting us. The model number and the location of the serial number decal are shown on the front cover of this manual.

Before reading further, please review the drawing below and familiarize yourself with the labeled parts.



PART IDENTIFICATION CHART

Use the drawings below to identify the small parts needed for assembly. The number in parentheses below each drawing is the key number of the part, from the PART LIST near the end of this manual. **Note: If a part is not in the hardware kit, check to see if it has been preassembled. Extra parts may be included.**



ASSEMBLY

- To hire an authorized service technician to assemble this product, call 1-800-445-2480.

- To watch an assembly video, go to <http://productvideo.co/assembly/kmart/weider> or use your mobile phone or smartphone to read the QR code with an application such as ShopSavvy.



- Assembly requires two persons.
- Due to its weight and size, the weight bench should be assembled in the location where it will be used. Make sure that there is enough clearance to walk around the weight bench as you assemble it.

- Place all parts in a cleared area and remove the packing materials. Do not dispose of the packing materials until you finish all assembly steps.

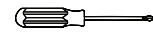
- To identify small parts, see page 5.

- In addition to the included tool(s), assembly requires the following tool(s):

two adjustable wrenches



one Phillips screwdriver



one rubber mallet

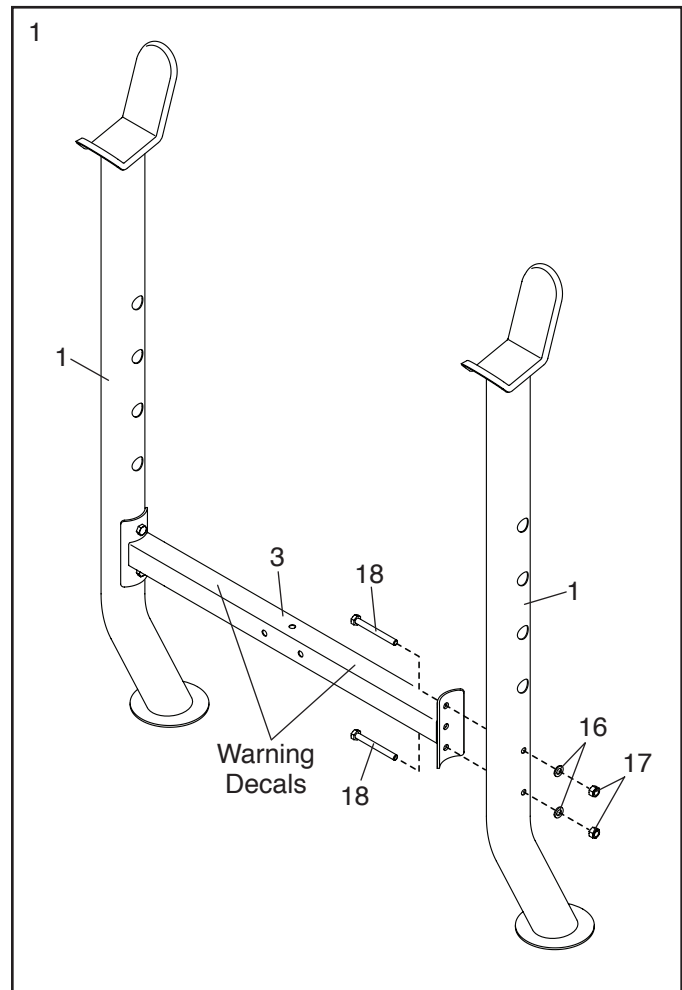


Assembly may be easier if you have a set of wrenches. To avoid damaging parts, do not use power tools.

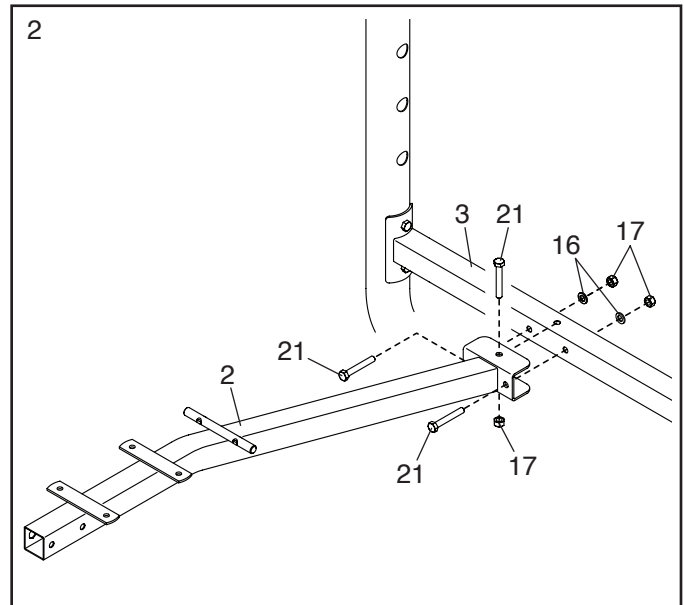
1. Orient the Crossbar (3) so that the warning decals are on top.

Attach the Crossbar (3) to one of the Uprights (1) with two M8 x 75mm Bolts (18), two M8 Washers (16), and two M8 Locknuts (17); **do not tighten the Locknuts yet.**

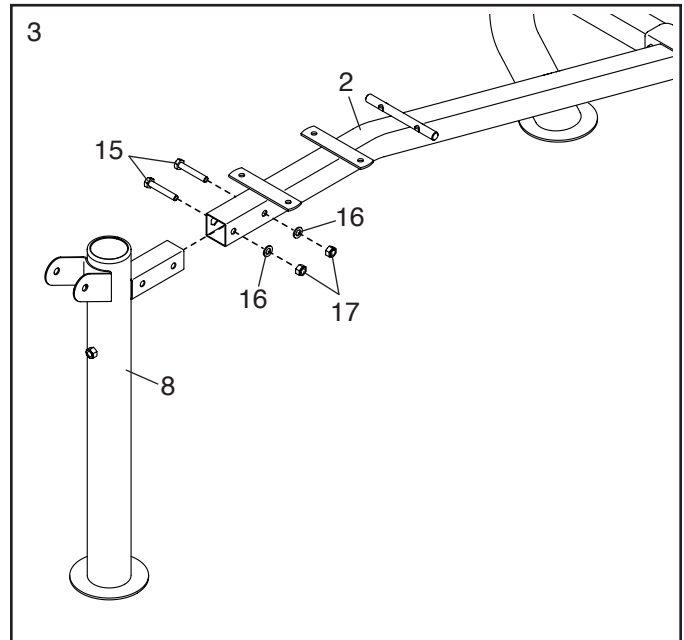
Attach the Crossbar (3) to the other Upright (1) in the same way.



2. Attach the Frame (2) to the Crossbar (3) with three M8 x 55mm Bolts (21), two M8 Washers (16), and three M8 Locknuts (17) as shown; **do not tighten the Locknuts yet.**

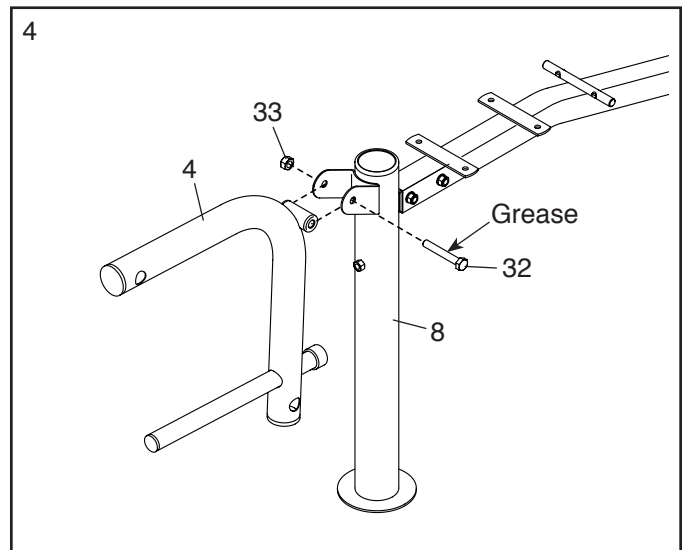


3. Attach the Front Leg (8) to the Frame (2) with two M8 x 45mm Bolts (15), two M8 Washers (16), and two M8 Locknuts (17) as shown; **do not tighten the Locknuts yet.**



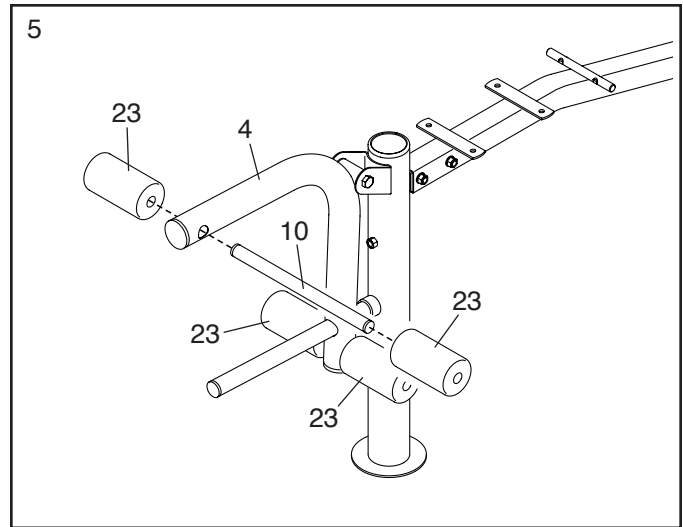
4. Apply a generous amount of the included grease to an M10 x 68mm Bolt (32).

Attach the Leg Lever (4) to the Front Leg (8) with the M10 x 68mm Bolt (32) and an M10 Locknut (33). **Do not overtighten the Locknut; the Leg Lever must pivot easily.**



5. Insert a Pad Tube (10) into a hole in the Leg Lever (4). Slide a Foam Pad (23) onto each side of the Pad Tube.

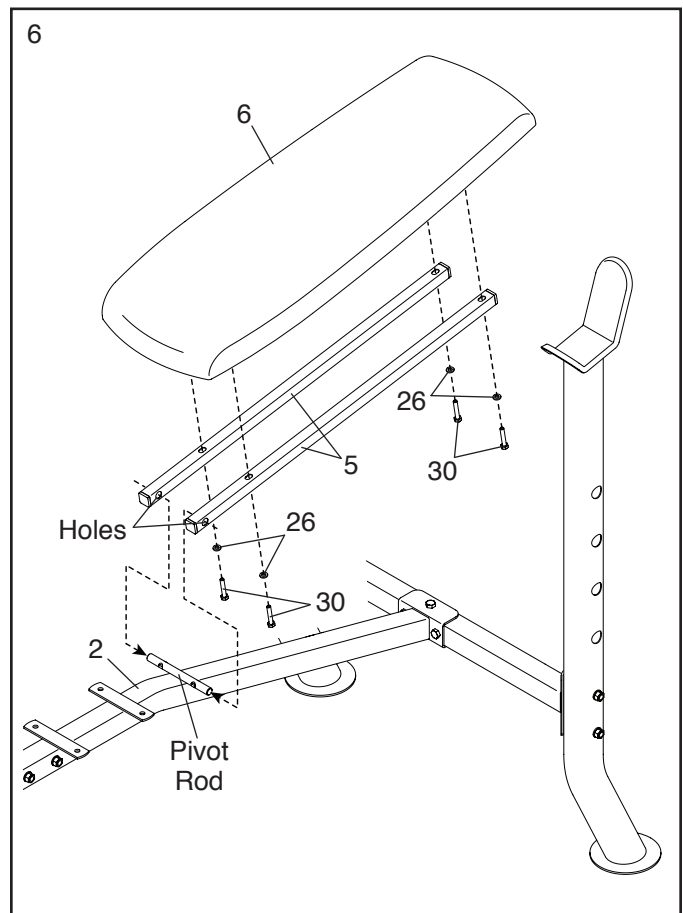
Attach the other Pad Tube (not shown) and the other two Foam Pads (23) in the same way.



6. Orient the Backrest Tubes (5) as shown. Slide a Backrest Tube onto each side of the pivot rod on the Frame (2).

Attach the Backrest (6) to the Backrest Tubes (5) with four M6 x 35mm Screws (30) and four M6 Washers (26).

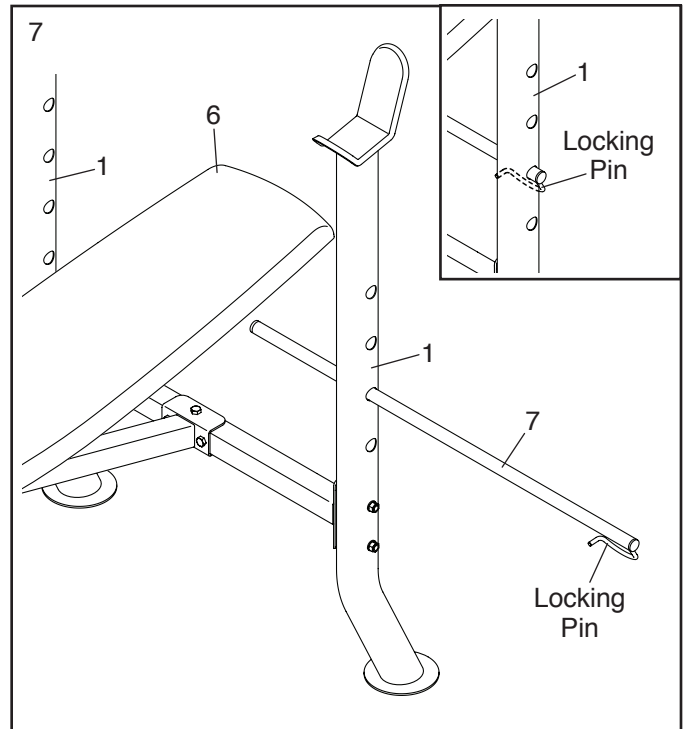
See steps 1–3. Tighten the M8 Locknuts (17).



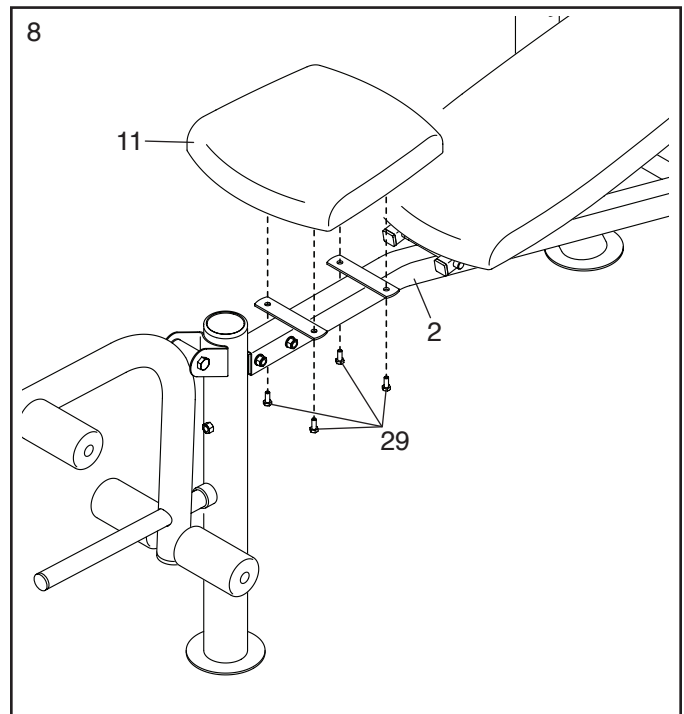
7. Raise the Backrest (6), and insert the Backrest Support (7) into a set of holes in the Uprights (1).

See the inset drawing. Rotate the Backrest Support (7) to the locked position, with the locking pin wrapped around the left Upright (1).

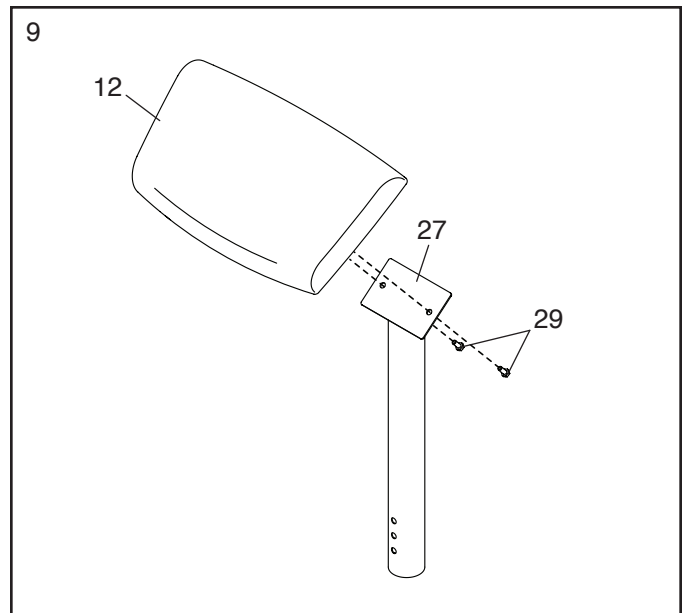
Then, rest the Backrest (6) on the Backrest Support (7).



8. Attach the Seat (11) to the Frame (2) with four M6 x 16mm Screws (29).



9. Attach the Curl Pad (12) to the Curl Post (27) with two M6 x 16mm Screws (29).



10. **Make sure that all parts are properly tightened before the weight bench is used.** Note: Extra parts may be included. The use of all remaining parts will be explained in ADJUSTMENT, beginning on page 11.

ADJUSTMENT

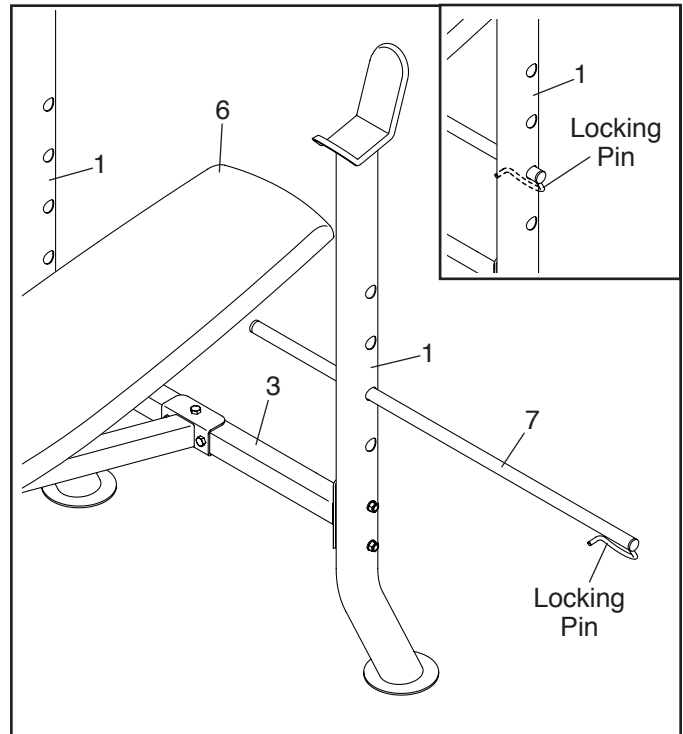
The steps below explain how the weight bench can be adjusted. See the accompanying exercise guide to see the correct form for several exercises.

Make sure all parts are properly tightened each time the weight bench is used. Replace any worn parts immediately. The weight bench can be cleaned with a damp cloth and a mild, non-abrasive detergent; **do not use solvents.**

ADJUSTING THE BACKREST

The Backrest (6) can be used in a declined position, a level position, or any of three inclined positions. To use the Backrest in a declined position, remove the Backrest Support (7) and lay the Backrest on the Crossbar (3).

To use the Backrest (6) in a level position or an inclined position, insert the Backrest Support (7) into a set of holes in the Uprights (1). Rotate the Backrest Support to the locked position, with the locking pin wrapped around the left Upright. Then, rest the Backrest on the Backrest Support.

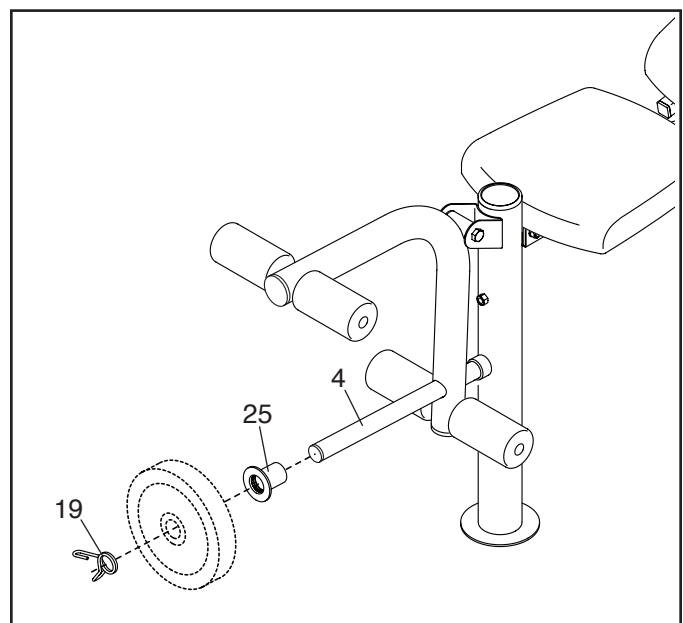


ATTACHING WEIGHTS TO THE LEG LEVER

To use the Leg Lever (4), first orient the Weight Spacer (25) as shown, and slide it onto the Leg Lever.

Next, slide the desired weight(s) (not included) onto the Leg Lever (4). Secure the weight(s) with the Spring Clip (19).

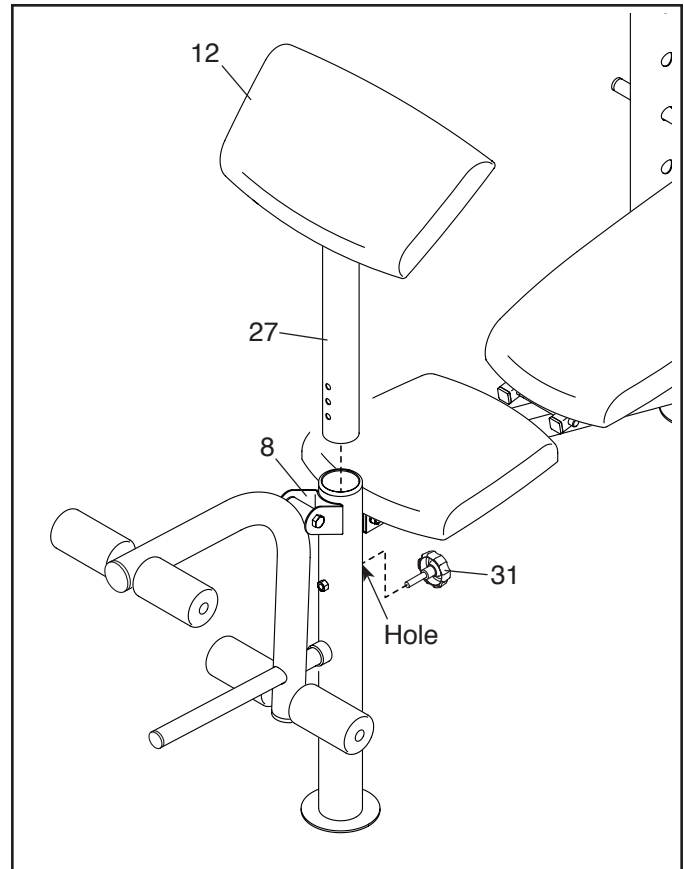
⚠ WARNING: When using the Leg Lever (4), place a barbell (not included) with the same amount of weight on the weight rests to balance the weight bench. Do not place more than 50 lbs. (23 kg) of weights on the Leg Lever.



ATTACHING THE CURL PAD

For some exercises, the Curl Pad (12) must be attached to the weight bench. Insert the Curl Post (27) into the Front Leg (8), and align one of the adjustment holes in the Curl Post with the indicated hole in the Front Leg. Then, tighten the Curl Knob (31) into the Front Leg.

When the Curl Pad (12) is not being used, remove the Curl Post (27) from the Front Leg (8). Store the Curl Post away from the weight bench.



EXERCISE GUIDELINES

FOUR TYPES OF STRENGTH WORKOUTS

Note: A “repetition” is one complete cycle of an exercise, such as one sit-up. A “set” is a series of repetitions.

Muscle Building—Work your muscles near their maximum capacity and progressively increase the intensity of your exercise. Adjust the intensity level of an individual exercise as follows:

- Change the amount of resistance used.
- Change the number of repetitions or sets performed.

Use your own judgment to determine the amount of resistance that is right for you. Begin with 3 sets of 8 repetitions for each exercise you perform. Rest for 3 minutes after each set. When you can complete 3 sets of 12 repetitions without difficulty, increase the amount of resistance.

Toning—Tone your muscles by working them to a moderate percentage of their capacity. Select a moderate amount of resistance and increase the number of repetitions in each set. Complete as many sets of 15 to 20 repetitions as possible without discomfort. Rest for 1 minute after each set. Work your muscles by completing more sets rather than by using high amounts of resistance.

Weight Loss—To lose weight, use a low amount of resistance and increase the number of repetitions in each set. Exercise for 20 to 30 minutes, resting for a maximum of 30 seconds between sets.

Cross Training—Combine strength training and aerobic exercise by following this type of program:

- Strength training workouts on Monday, Wednesday, and Friday.
- 20 to 30 minutes of aerobic exercise on Tuesday and Thursday.
- One full day of rest each week to give your body time to regenerate.

WORKOUT GUIDELINES

Familiarize yourself with the equipment and learn the proper form for each exercise. Use your own judgment to determine the appropriate length of time for each

workout, and the numbers of repetitions and sets to complete. Progress at your own pace and be sensitive to your body’s signals. Follow each workout with at least one day of rest.

Warming Up—Start with 5 to 10 minutes of stretching and light exercise. A warm-up increases your body temperature, heart rate, and circulation in preparation for exercise.

Working Out—Include 6 to 10 different exercises in each workout. Select exercises for every major muscle group, emphasizing areas that you want to develop. To give balance and variety to your workouts, vary the exercises from workout to workout.

Cooling Down—Finish with 5 to 10 minutes of stretching. Stretching increases the flexibility of your muscles and helps to prevent post-exercise problems.

EXERCISE FORM

Move through the full range of motion for each exercise and move only the appropriate parts of the body. Perform the repetitions in each set smoothly and without pausing. The exertion stage of each repetition should last about half as long as the return stage. Exhale during the exertion stage of each repetition and inhale during the return stroke. Never hold your breath.

Rest for a short period of time after each set:

- Muscle Building—Rest for three minutes after each set.
- Toning—Rest for one minute after each set.
- Weight Loss—Rest for 30 seconds after each set.

STAYING MOTIVATED

For motivation, keep a record of each workout. Write the date, the exercises performed, the resistance used, and the numbers of sets and repetitions completed. Record your weight and key body measurements once a month. To achieve good results, make exercise a regular and enjoyable part of your life.

PART LIST

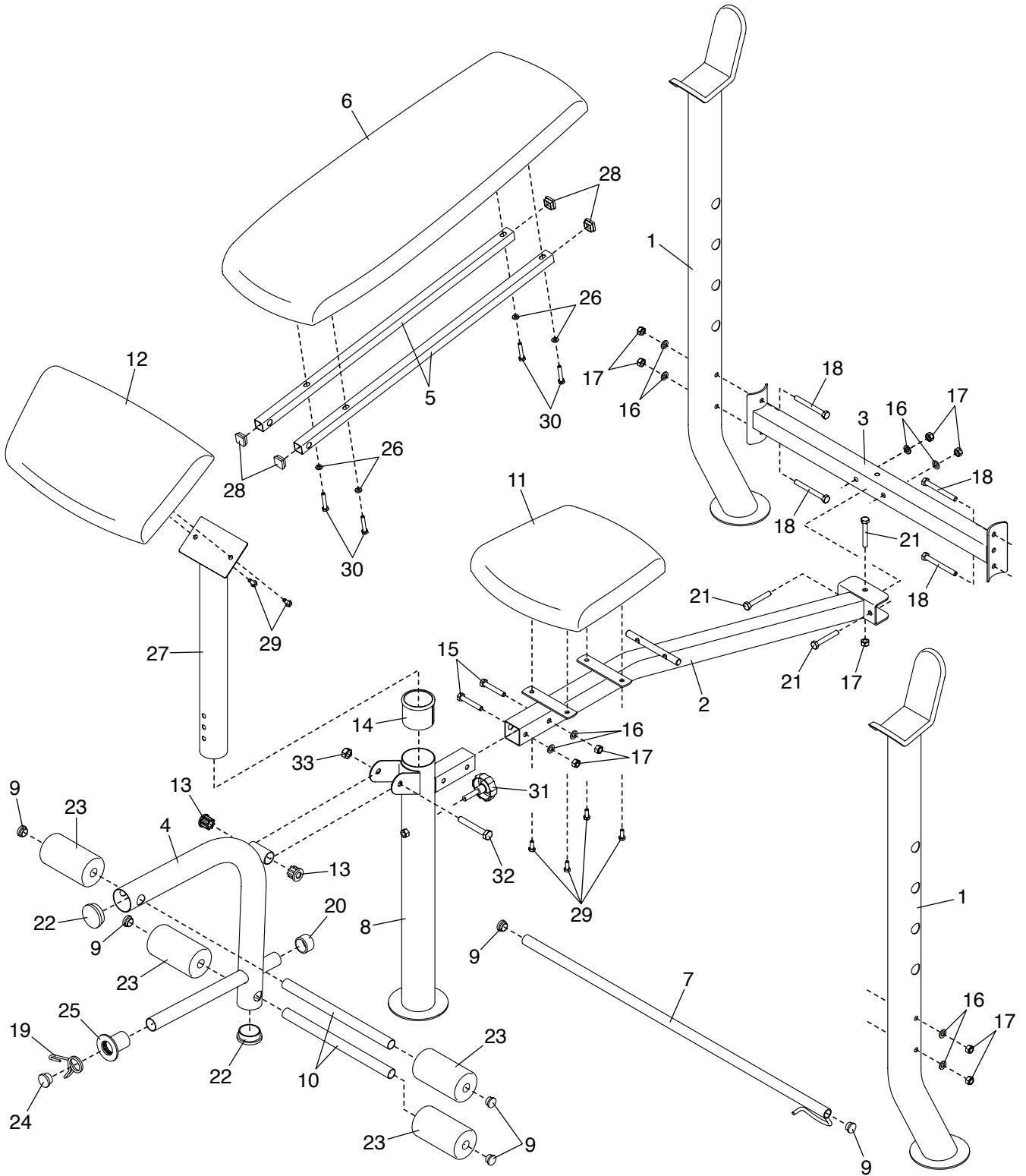
Model No. WEBE30112.0 R0812A

Key No.	Qty.	Description	Key No.	Qty.	Description
1	2	Upright	19	1	Spring Clip
2	1	Frame	20	1	25mm Round Outer Cap
3	1	Crossbar	21	3	M8 x 55mm Bolt
4	1	Leg Lever	22	2	45mm Round Inner Cap
5	2	Backrest Tube	23	4	Foam Pad
6	1	Backrest	24	1	25mm Round Inner Cap
7	1	Backrest Support	25	1	Weight Spacer
8	1	Front Leg	26	4	M6 Washer
9	6	19mm Round Inner Cap	27	1	Curl Post
10	2	Pad Tube	28	4	20mm Square Inner Cap
11	1	Seat	29	6	M6 x 16mm Screw
12	1	Curl Pad	30	4	M6 x 35mm Screw
13	2	Leg Lever Bushing	31	1	Curl Knob
14	1	Curl Post Bushing	32	1	M10 x 68mm Bolt
15	2	M8 x 45mm Bolt	33	1	M10 Locknut
16	8	M8 Washer	*	—	Grease Packet
17	9	M8 Locknut	*	—	Exercise Poster
18	4	M8 x 75mm Bolt	*	—	User's Manual

Note: Specifications are subject to change without notice. For information about ordering replacement parts, see the back cover of this manual. *These parts are not illustrated.

EXPLODED DRAWING

Model No. WEBE30112.0 R0812A



ORDERING REPLACEMENT PARTS

To order replacement parts, please see the front cover of this manual. To help us assist you, be prepared to provide the following information when contacting us:

- the model number and serial number of the product (see the front cover of this manual)
- the name of the product (see the front cover of this manual)
- the key number and description of the replacement part(s) (see the PART LIST and the EXPLODED DRAWING near the end of this manual)

LIMITED WARRANTY

IMPORTANT: You must register this product within 30 days of the purchase date to avoid added fees for service needed under warranty. Go to www.weiderservice.com/registration.

ICON Health & Fitness, Inc. (ICON) warrants this product to be free from defects in workmanship and material, under normal use and service conditions. Parts and labor are warranted for ninety (90) days from the date of purchase.

This warranty extends only to the original purchaser (customer). ICON's obligation under this warranty is limited to repairing or replacing, at ICON's option, the product through one of its authorized service centers. All repairs for which warranty claims are made must be preauthorized by ICON. If the product is shipped to a service center, freight charges to and from the service center will be the customer's responsibility. If replacement parts are shipped while the product is under warranty, the customer will be responsible for a minimal handling charge. For in-home service, the customer will be responsible for a minimal trip charge. This warranty does not extend to freight damage to the product. This warranty will automatically be voided if the product is used as a store display model, if the product is purchased or transported outside the USA, if all instructions in this manual are not followed, if the product is abused or improperly or abnormally used, or if the product is used for commercial or rental purposes. No other warranty beyond that specifically set forth above is authorized by ICON.

ICON is not responsible or liable for indirect, special, or consequential damages arising out of or in connection with the use or performance of the product; damages with respect to any economic loss, loss of property, loss of revenues or profits, loss of enjoyment or use, or costs of removal or installation; or other consequential damages of any kind. Some states do not allow the exclusion or limitation of incidental or consequential damages. Accordingly, the above limitation may not apply to the customer.

The warranty extended hereunder is in lieu of any and all other warranties, and any implied warranties of merchantability or fitness for a particular purpose are limited in their scope and duration to the terms set forth herein. Some states do not allow limitations on how long an implied warranty lasts. Accordingly, the above limitation may not apply to the customer.

This warranty provides specific legal rights; the customer may have other rights that vary from state to state.

ICON Health & Fitness, Inc., 1500 S. 1000 W., Logan, UT 84321-9813