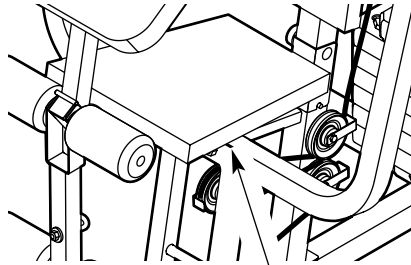


WEIDER® 8525

Model No. WESY19512

Serial No. _____

Write the serial number in the space above for reference.



Serial Number Decal

USER'S MANUAL

QUESTIONS?

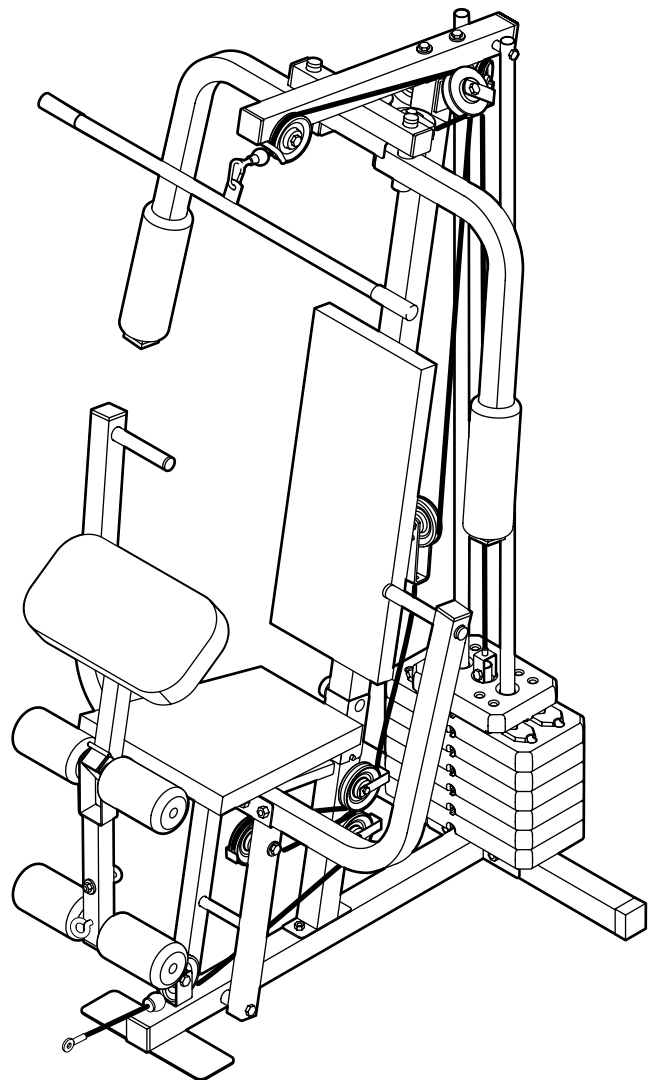
As a manufacturer, we are committed to providing complete customer satisfaction. If you have questions, or find there are missing or damaged parts, we will guarantee you complete satisfaction through direct assistance from our factory.

TO AVOID DELAYS, PLEASE CALL DIRECT TO OUR TOLL-FREE CUSTOMER HOT LINE. The trained technicians on our customer hot line will provide immediate assistance, free of charge to you.

CUSTOMER HOT LINE:

1-800-999-3756

Mon.–Fri., 6 a.m.–6 p.m. MST



⚠ CAUTION

Read all precautions and instructions in this manual before using this equipment. Save this manual for future reference.



Visit our website at

www.weiderfitness.com

*new products, prizes,
fitness tips, and much more!*

TABLE OF CONTENTS

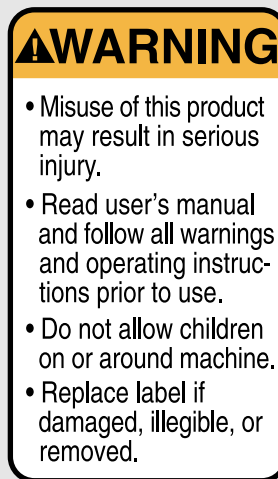
IMPORTANT PRECAUTIONS3
BEFORE YOU BEGIN4
ASSEMBLY5
ADJUSTMENTS14
WEIGHT RESISTANCE CHART16
TROUBLESHOOTING AND MAINTENANCE17
CABLE DIAGRAM18
ORDERING REPLACEMENT PARTSBack Cover
LIMITED WARRANTYBack Cover

Note: A PART IDENTIFICATION CHART and a PART LIST/EXPLODED DRAWING are attached to the center of this manual. Remove the PART IDENTIFICATION CHART and PART LIST/EXPLODED DRAWING before beginning assembly.

IMPORTANT PRECAUTIONS

⚠ WARNING: To reduce the risk of serious injury, read the following important precautions before using the weight system.

1. Read all instructions in this manual and in the accompanying literature before using the weight system.
2. It is the responsibility of the owner to ensure that all users of the weight system are adequately informed of all precautions.
3. The weight system is intended for home use only. Do not use the weight system in any commercial, rental, or institutional setting.
4. Use the weight system only on a level surface. Cover the floor beneath the weight system to protect the floor.
5. Make sure all parts are properly tightened each time you use the weight system. Replace any worn parts immediately.
6. Keep children under 12 and pets away from the weight system at all times.
7. Keep hands and feet away from moving parts.
8. Always wear athletic shoes for foot protection.
9. The weight system is designed to support a maximum user weight of 300 pounds.
10. Always stand on a foot plate when performing an exercise that could cause the weight system to tip.
11. Never release the press arm, butterfly arms, leg lever, lat bar, or nylon strap while weights are raised. The weights will fall with great force.
12. Make sure that the cables remain on the pulleys at all times. If the cables bind while you are exercising, stop immediately and make sure that the cables are on all of the pulleys.
13. *Always disconnect the lat bar from the weight system when performing an exercise that does not use the lat bar.*
14. If you feel pain or dizziness at any time while exercising, stop immediately and begin cooling down.
15. The decals shown below have been placed on the weight system in the locations shown on page 4. If a decal is missing or illegible, call our toll-free Customer Hot Line at 1-800-999-3756 and order a free replacement decal. Apply the decal in the location shown.



Decal 1



Decal 2

⚠ WARNING: Before beginning this or any exercise program, consult your physician. This is especially important for persons over the age of 35 or persons with pre-existing health problems. Read all instructions before using. ICON assumes no responsibility for personal injury or property damage sustained by or through the use of this product.

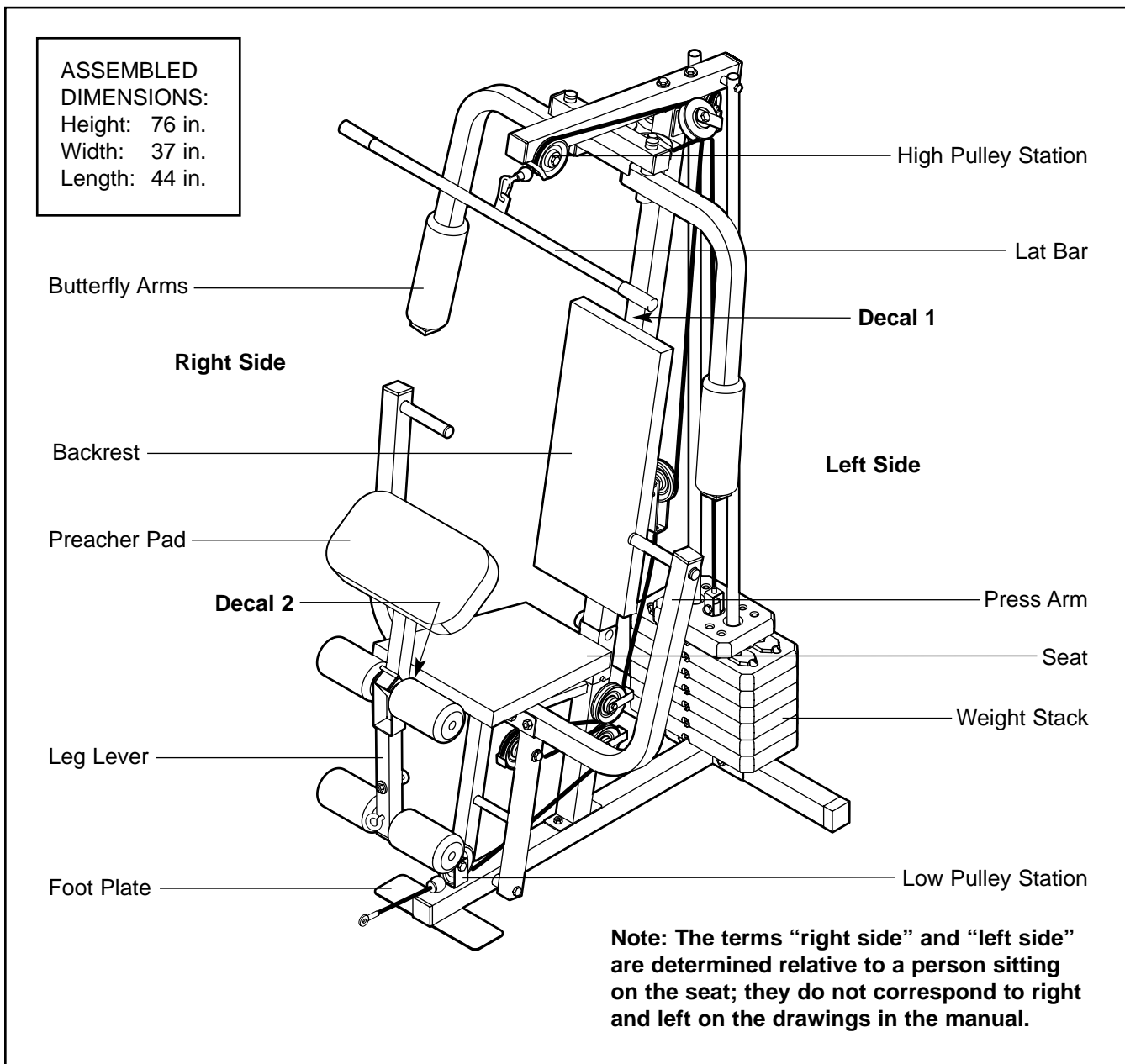
BEFORE YOU BEGIN

Thank you for selecting the versatile WEIDER® 8525 weight system. The weight system offers a selection of weight stations designed to develop every major muscle group of the body. Whether your goal is to tone your body, build dramatic muscle size and strength, or improve your cardiovascular system, the weight system will help you to achieve the specific results you want.

For your benefit, read this manual carefully before using the weight system. If you have additional questions, please call our Customer Service Department

toll-free at 1-800-999-3756, Monday through Friday, 6 a.m. until 6 p.m. Mountain Time (excluding holidays). To help us assist you, please note the product model number and serial number before calling. The model number is WESY19512. The serial number can be found on a decal attached to the weight system (see the front cover of this manual).

Before reading further, please review the drawing below and familiarize yourself with the parts that are labeled.



ASSEMBLY



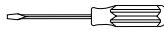
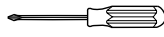
Make Things Easier for Yourself

Everything in this manual is designed to ensure that the weight system can be assembled successfully by anyone. However, it is important to realize that the weight system has many parts and that the assembly process will take time. Most people find that by setting aside plenty of time, assembly will go smoothly.

- Assembly requires two people.
- Place all parts in a cleared area and remove the packing materials. Do not dispose of the packing materials until assembly is completed.
- Tighten all parts as you assemble them, unless instructed to do otherwise.
- As you assemble the weight system, make sure all parts are oriented as shown in the drawings.

- For help identifying small parts, use the **PART IDENTIFICATION CHART** at the center of this manual.

The following tools (not included) are required for assembly:

- Two adjustable wrenches 
- One rubber mallet 
- One standard screwdriver 
- One Phillips screwdriver 
- Lubricant, such as grease or petroleum jelly, and soapy water.

Assembly will be more convenient if you have a socket set, a set of open-end or closed-end wrenches, or a set of ratchet wrenches.

Frame Assembly

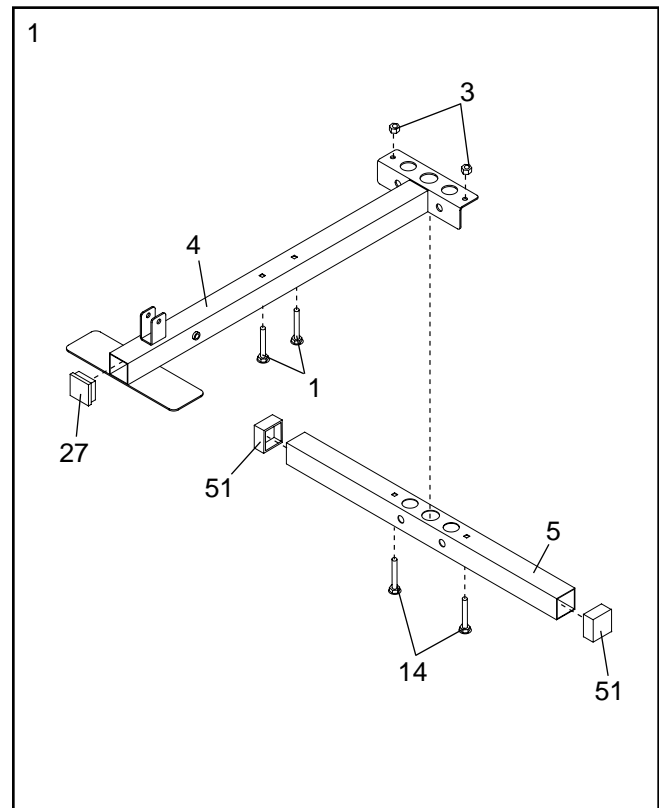
1. Before beginning assembly, make sure that you have read and understand the information in the box above.

For help identifying small parts, use the **PART IDENTIFICATION CHART** in the center of this manual.

Press two 2" Square Outer Caps (51) onto the ends of the Stabilizer (5). Press a 2" Square Inner Cap (27) into the end of the Base (4).

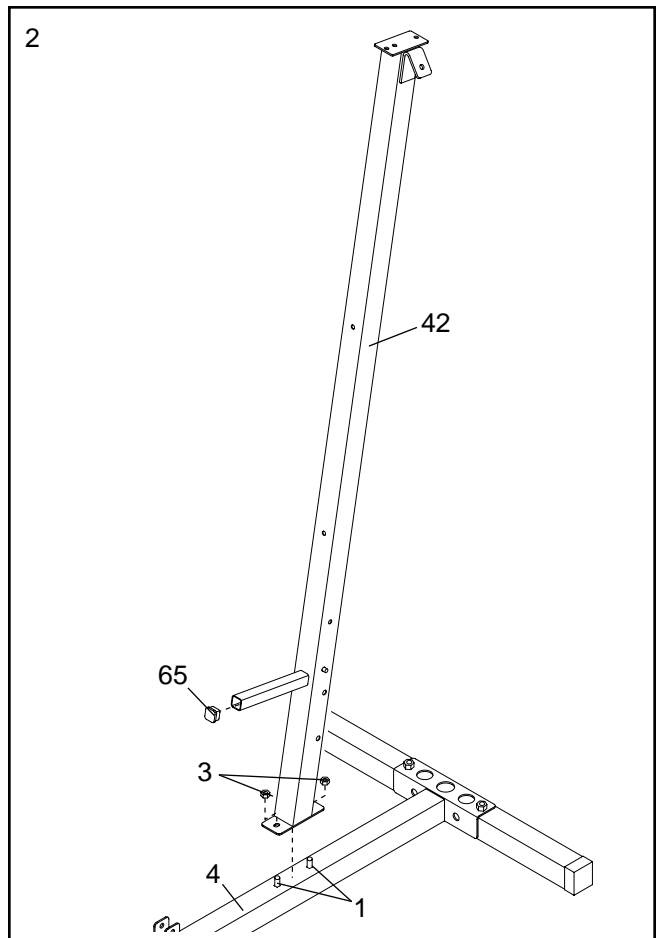
Insert two 5/16" x 2 3/4" Carriage Bolts (14) up through the Stabilizer (5). Insert two 5/16" x 2 1/2" Carriage Bolts (1) up through the Base (4). **Note: It may be helpful to place a piece of tape over the bolt heads to hold the Bolts in place.**

Attach the indicated end of the Base (4) to the Stabilizer (5) with two 5/16" x 2 3/4" Carriage Bolts (14) and two 5/16" Nylon Locknuts (3). **Do not tighten the Locknuts yet.**



2. Press a 1" Square Inner Cap (65) into the Front Upright (42).

Slide the Front Upright (42) onto the 5/16" x 2 1/2" Carriage Bolts (1) in the Base (4). Hand tighten two 5/16" Nylon Locknuts (3) onto the Carriage Bolts. **Do not tighten the Locknuts yet.**



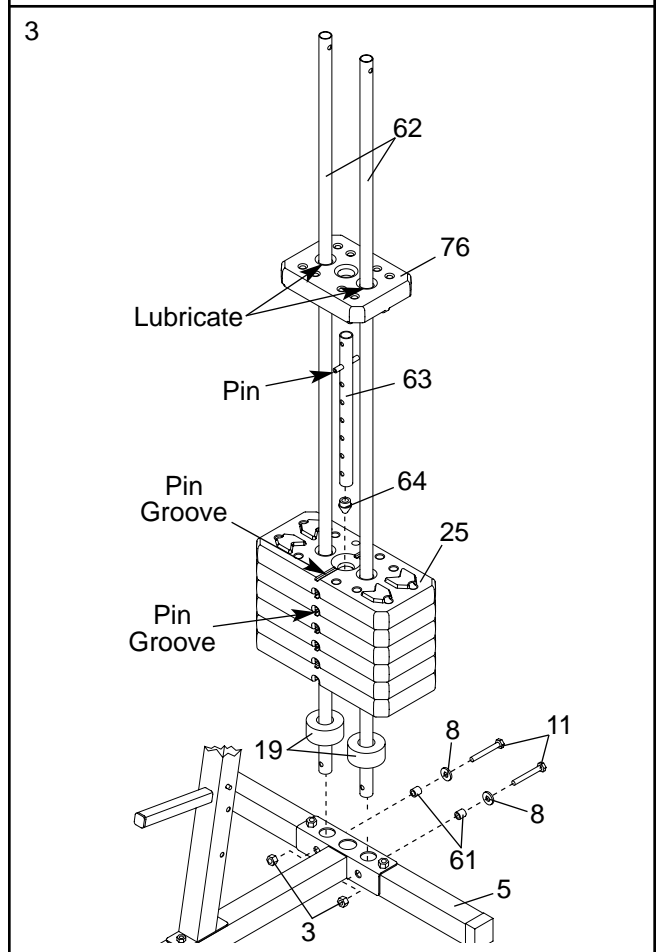
3. Attach the two Weight Guides (62) inside of the Stabilizer (5) with two 5/16" x 2 3/4" Bolts (11), two 5/16" Washers (8), two 1/2" x 17/32" Spacers (61), and two 5/16" Nylon Locknuts (3).

Tighten the 5/16" Nylon Locknuts (3) used in step 1.

Slide two Weight Bumpers (19) onto Weight Guides (62). Stack the six Weights (25) on the Weight Bumpers (19). **Make sure that all of the Weights are turned so the large pin grooves are on the bottom of the Weights and on the same side of the weight stack.**

Press the Weight Tube Bumper (64) into the end of the Weight Tube (63). Insert the Weight Tube into the stack of Weights (25). **Make sure that the pins on the Weight Tube are resting in the pin grooves in the upper Weight.**

Lubricate the insides of the holes in the Top Weight (76). Set the Top Weight onto the stack of Weights (25).

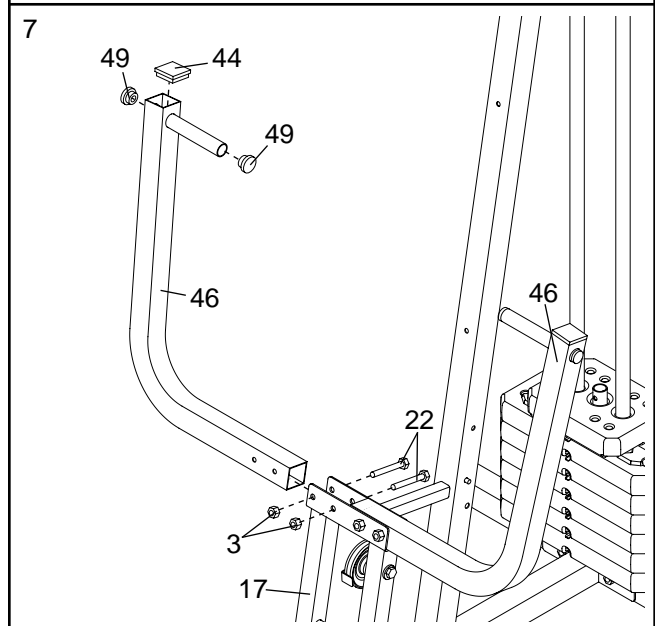
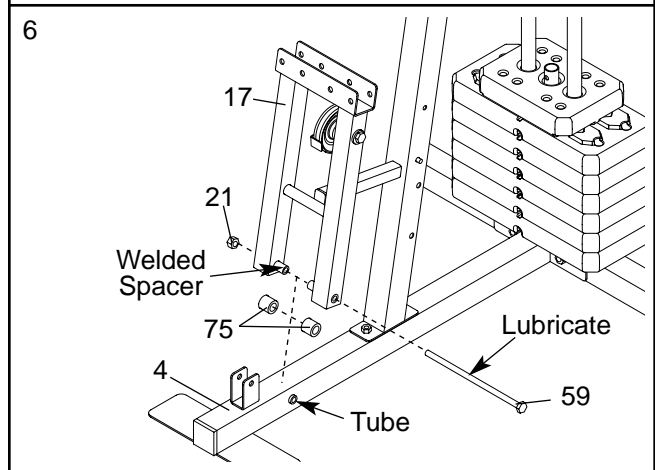
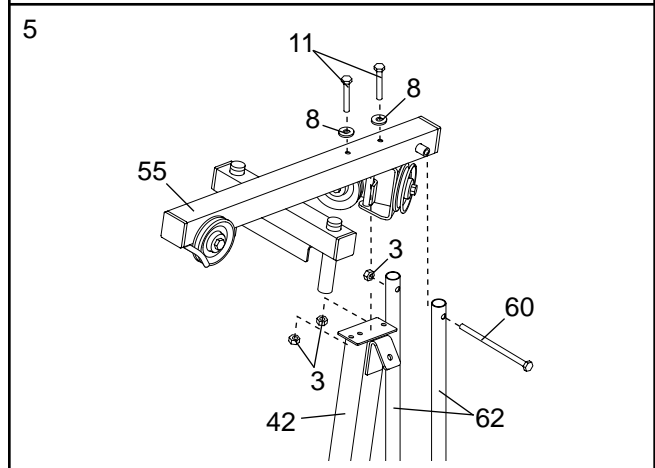
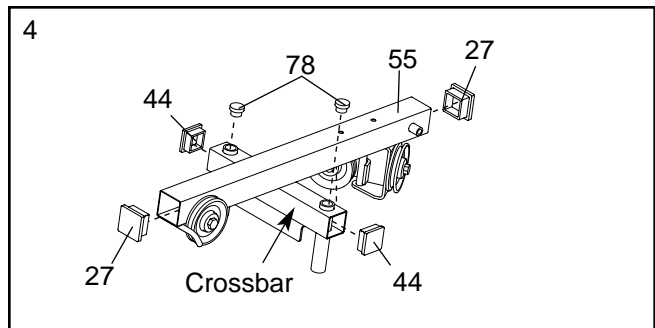


- Press two 2" Square Inner Caps (27) into the indicated ends of the Top Frame (55). Press two 1 3/4" Square Inner Caps (44) into the ends of the crossbar on the Top Frame. Press two Round Inner Caps (78) into the top of the crossbar.

- Attach the Top Frame (55) to the Front Upright (42) with two 5/16" x 2 3/4" Bolts (11), two 5/16" Washers (8), and two 5/16" Nylon Locknuts (3).

Attach the upper ends of the Weight Guides (62) to the Top Frame (55) with a 5/16" x 6" Bolt (60) and a 5/16" Nylon Locknut (3).

Tighten the 5/16" Nylon Locknuts (3) used in steps 2 and 5.



Arm Assembly

- Press two 1" x 7/8" Plastic Bushing (75) onto the welded spacers on the Press Frame (17). Slide the Press Frame into place on the Base (4) as shown. **Note: This will be a tight fit. The Plastic Bushings should fit onto each end of the indicated tube in the Base.**

Lubricate the 3/8" x 8" Bolt (59) with grease. Attach the Press Frame (17) to the Base (4) with the Bolt and a 3/8" Nylon Locknut (21). **Do not overtighten the Locknut; the Press Frame must be able to pivot easily.**

- Press a 1 3/4" Square Inner Cap (44) into the top of a Press Arm (46). Press two 1" Round Inner Caps (49) into the ends of the handle on the Press Arm.

Attach the Press Arm (46) to one side of the Press Frame (17) with two 5/16" x 2 1/2" Bolts (22) and two 5/16" Nylon Locknuts (3).

Assemble the other Press Arm (46) in the same manner.

- Identify the Right Arm (48) and the Left Arm (47) by the position of the welded bracket on each Arm.

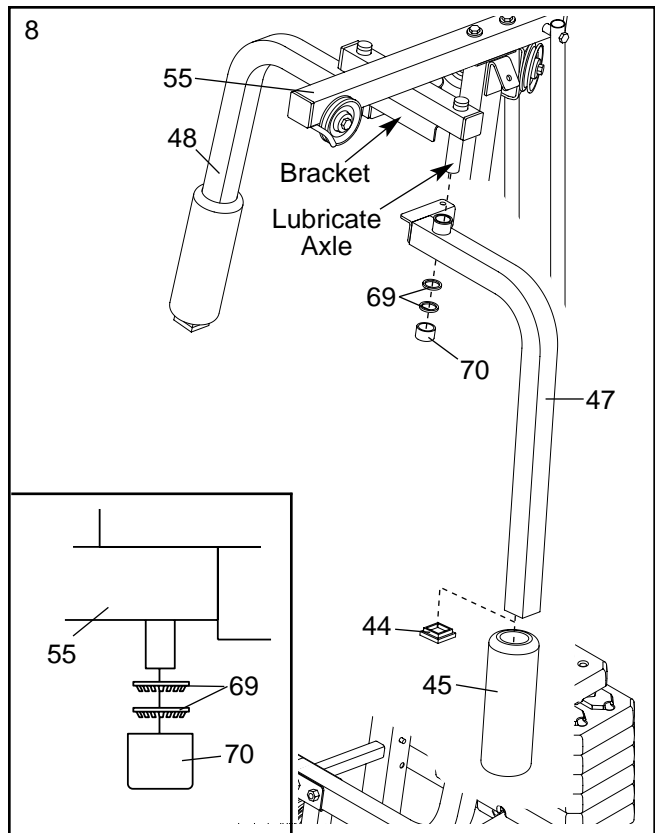
Lubricate both axles on the Top Frame (55).

Press a 1 3/4" Square Inner Cap (44) into the lower end of the Left Arm (47). Wet the end of the Arm with soapy water and slide a 10" Pad (45) onto it.

Have another person slide the Left Arm (47) onto the left axle on the Top Frame (55). **Note: Be careful not to confuse the Right Arm (48) with the Left Arm. Make sure that the upper end of the Left Arm is behind the indicated bracket on the Top Frame.**

Tap two 1" Retainers (69) and a 1" Round Cover Cap (70) onto the right axle. **Make sure that the teeth on the Retainers bend toward the Cover Cap, as shown in the inset drawing.**

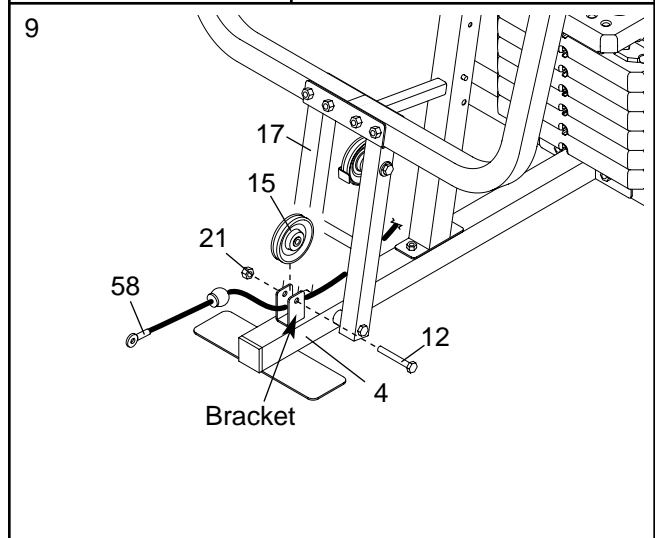
Attach the Right Arm (48) in the same manner.



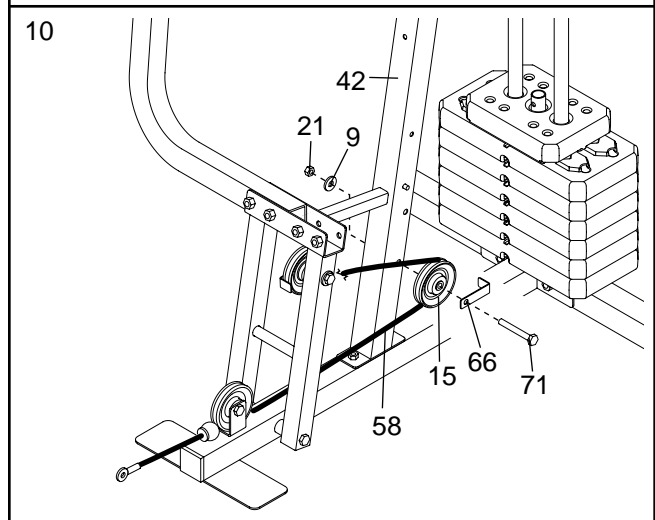
Cable Assembly

- During steps 9 through 20, refer to the CABLE DIAGRAM on page 18 of this manual to verify proper cable routing.

Locate the Short Cable (58). Lay the Cable in the bracket on the Base (4) and under the Press Frame (17). Attach a 3 1/2" Pulley (15) to the bracket with a 3/8" x 2" Bolt (12) and a 3/8" Nylon Locknut (21). **Make sure that the end of the Cable with the ball is on the indicated side of the bracket.**

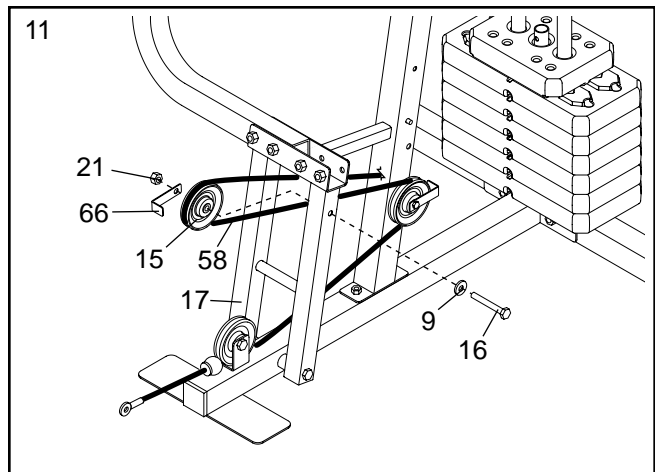


- Route the Short Cable (58) around a 3 1/2" Pulley (15). Attach the Pulley and a Cable Trap (66) to the lower hole in the Front Upright (42) with a 3/8" x 3 3/4" Bolt (71), a 3/8" Washer (9), and a 3/8" Nylon Locknut (21). **Make sure that the Cable Trap is turned to hold the Cable in place and that the Cable is routed around the Pulley as shown.**

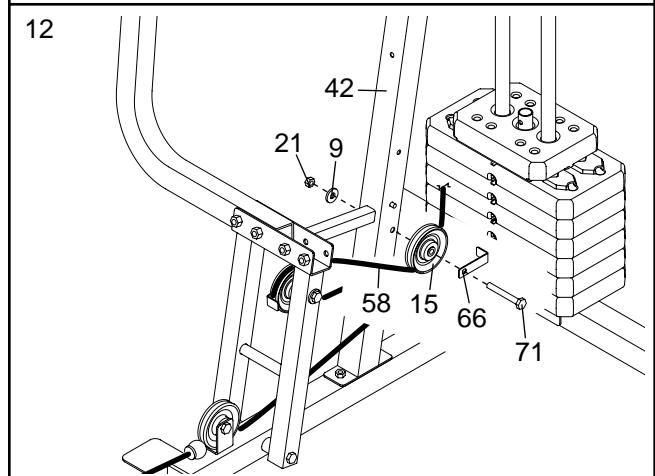


11. **Note: The 3 1/2" Pulley (15) in this step has been preassembled. It is shown exploded in this drawing for clarity.**

Route the Short Cable (58) around the 3 1/2" Pulley (15) attached to the Press Frame (17). **Make sure that the Cable Trap (66) is turned to hold the Cable in place and that the Cable is routed around the Pulley as shown.** Tighten the 3/8" Nylon Locknut (21), 3/8" Washer (9), and the 3/8" x 3 1/2" Bolt (16).

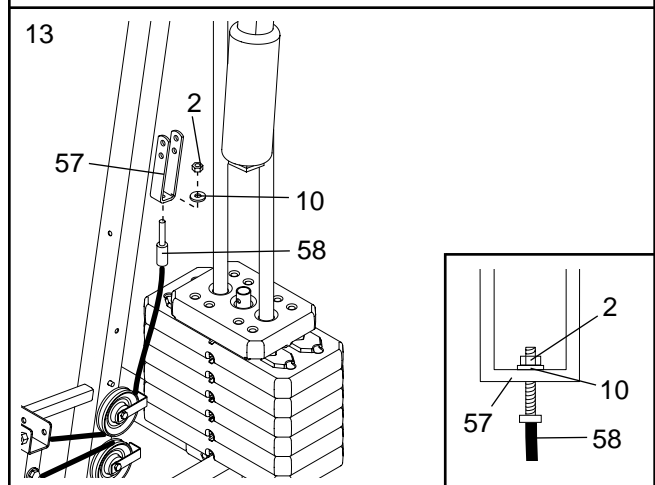


12. Route the Short Cable (58) around the 3 1/2" Pulley (15). Attach the Pulley and a Cable Trap (66) to the upper hole in the Front Upright (42) with a 3/8" x 3 3/4" Bolt (71), a 3/8" Washer (9), and a 3/8" Nylon Locknut (21). **Make sure that the Cable Trap is turned to hold the Cable in place and that the Cable is routed around the Pulley as shown.**



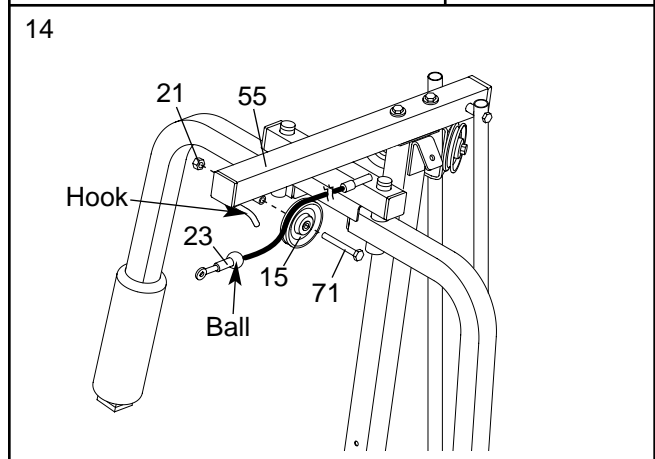
13. Remove the preassembled 3 1/2" Pulley (not shown) from the Long "U"-bracket (57).

Attach the end of the Short Cable (58) to the Long "U"-bracket (57) with a 1/4" Nylon Locknut (2) and a 1/4" Washer (10). **See the inset drawing. Do not overtighten the Nylon Locknut; it should be threaded onto the end of the Cable so only a couple of threads are showing above the nut.**

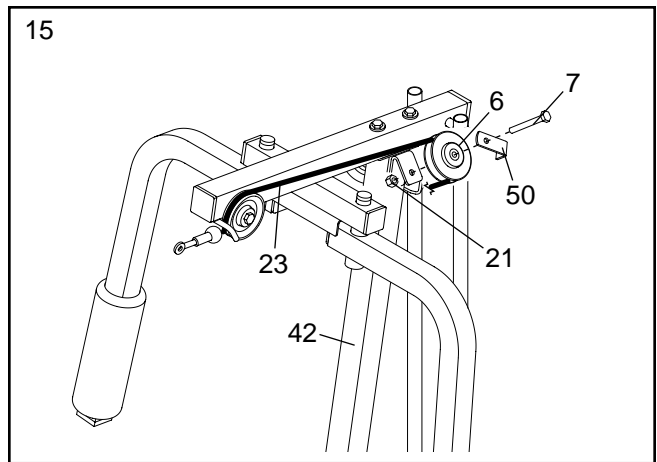


14. **Note: The 3 1/2" Pulley (15) in this step has been preassembled. It is shown exploded in this drawing for clarity.**

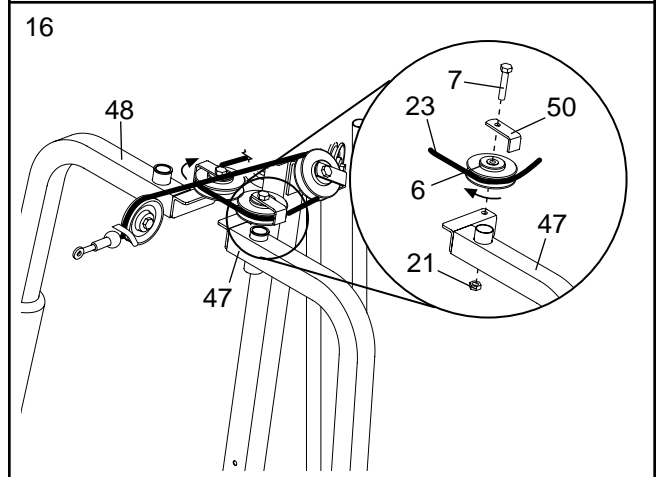
Locate the Long Cable (23). Route the Long Cable around the indicated 3 1/2" Pulley (15) attached to the Top Frame (55). **Make sure that the Cable is between the Pulley and the hook and that the end of the Cable with the ball is on the indicated side of the hook.** Tighten the 3/8" x 3 3/4" Bolt (71) and the 3/8" Nylon Locknut (21).



15. Wrap the Long Cable (23) around a “V”-Pulley (6). Attach the “V”-Pulley and a Long Cable Trap (50) to the indicated bracket on the Front Upright (42) with a 3/8” x 2 1/2” Bolt (7) and a 3/8” Nylon Locknut (21). **Make sure that the Long Cable Trap is positioned to hold the Cable in place.**

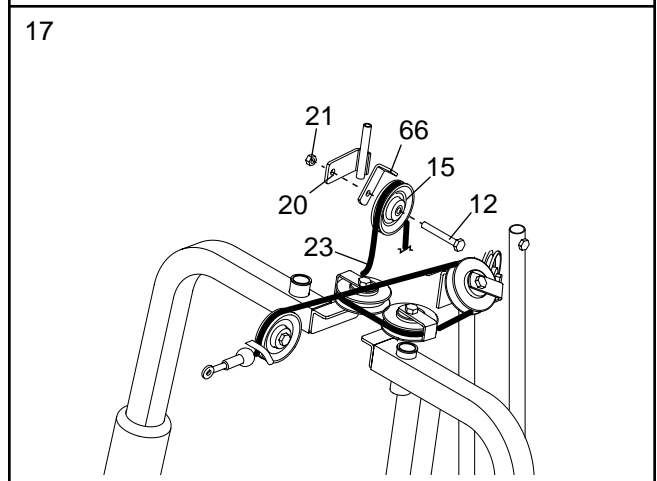


16. Route the Long Cable (23) around a “V”-pulley (6). Attach the “V”-pulley and a Long Cable Trap (50) to the Left Arm (47) with a 3/8” x 2 1/2” Bolt (7) and a 3/8” Nylon Locknuts (21). **Make sure that the Long Cable Trap is positioned to hold the Cable in the groove of the “V”-pulley.**



Repeat this step with the Right Arm (48).

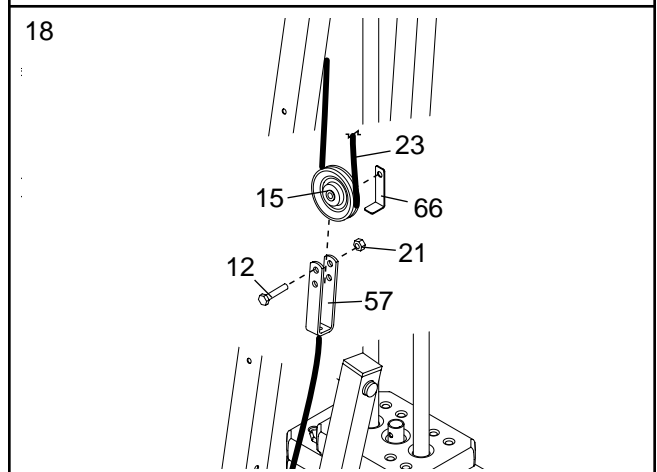
17. **Note: The 3 1/2” Pulley (15) in this step has been preassembled. It is shown exploded in this drawing for clarity.**



Route the Long Cable (23) around the 3 1/2” Pulley (15) attached to the Pulley Bracket (20). **Make sure that the Cable is in the groove of the Pulley and that the Cable Trap (66) is turned to hold the Cable in place.** Tighten the 3/8” x 2” Bolt (12) and the 3/8” Nylon Locknut (21).

Make sure that the 5/16” x 5” Bolt (not shown) is properly tightened and that the Pulley Bracket (20) can move freely.

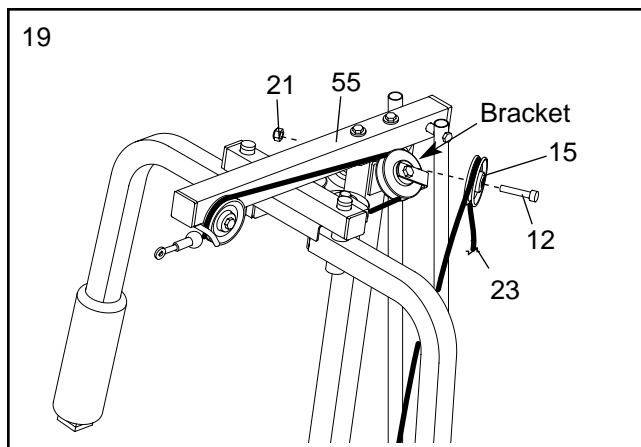
18. Attach a 3 1/2” Pulley (15) and a Cable Trap (66) to the indicated hole in the Long “U”-bracket (57) with a 3/8” x 2” Bolt (12) and a 3/8” Nylon Locknut (21). **Make sure that the Cable Trap is inside of the “U”-bracket.**



Route the Long Cable (23) between the 3 1/2” Pulley (15) and the Cable Trap (66). **Make sure that the Cable is in the groove of the Pulley and that the Cable and Pulley move smoothly.**

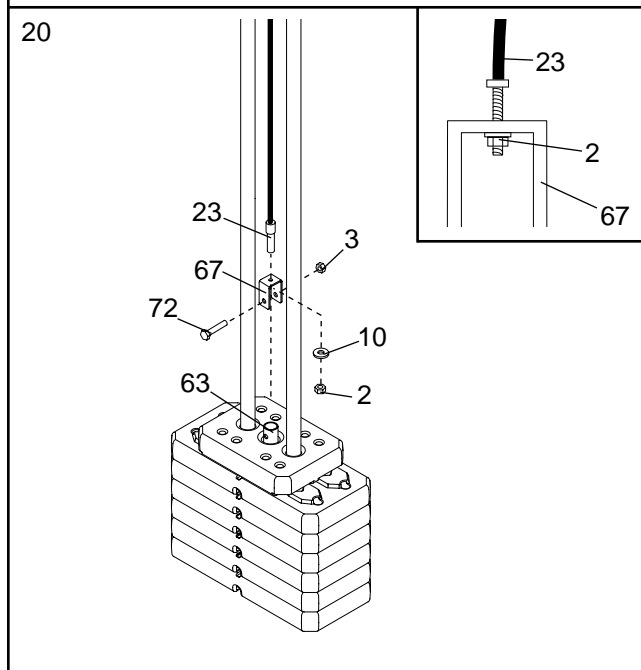
19. Remove the indicated 3 1/2" Pulley (15) from the Top Frame (55).

Route the Long Cable (23) around the 3 1/2" Pulley (15) and reattach it to the bracket on the Top Frame (55) with the 3/8" x 2" Bolt (12) and the 3/8" Nylon Locknut (21). **Make sure that the Cable is in the groove of the Pulley and that the Cable and Pulley move smoothly.**



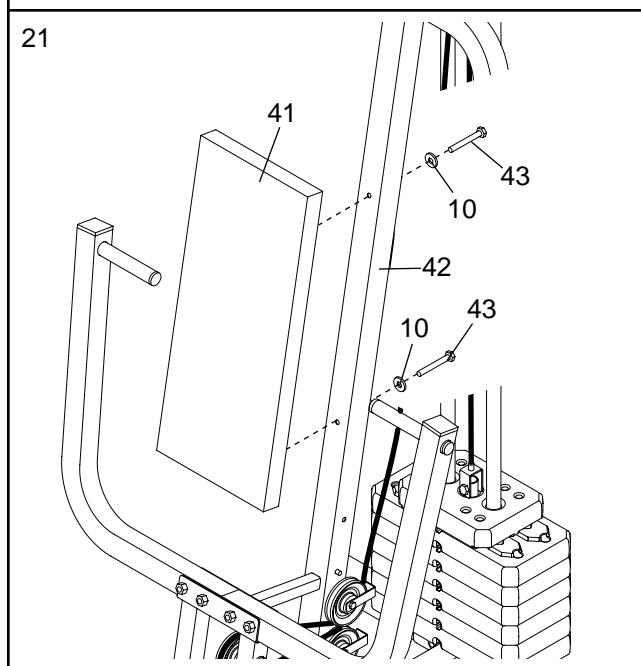
20. Attach the Long Cable (23) to the Small "U"-bracket (67) with a 1/4" Nylon Locknut (2) and a 1/4" Washer (10). **See the inset drawing. Do not overtighten the Nylon Locknut; it should be threaded onto the end of the Cable only a couple of turns, as shown.**

Attach the Small "U"-bracket (67) to the Weight Tube (63) with the 5/16" x 1 3/4" Bolt (72) and a 5/16" Nylon Locknut (3).



Seat Assembly

21. Attach the Backrest (41) to the Front Upright (42) with two 1/4" x 2 1/2" Screws (43) and two 1/4" Washers (10).

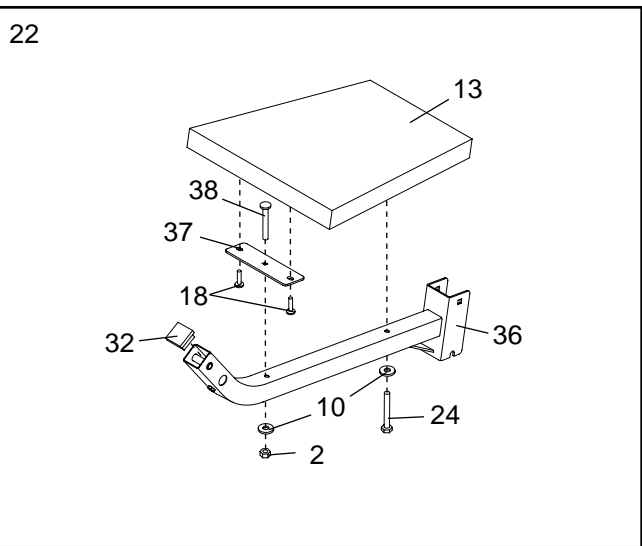


22. Press a 1 1/2" Square Inner Cap (32) into the Seat Frame (36).

Insert the 1/4" x 2" Carriage Bolt (38) into the center hole in the Seat Plate (37). Attach the Seat Plate to the Seat (13) with two 1/4" x 3/4" Screws (18).

Insert the 1/4" x 2" Carriage Bolt (38) into the indicated hole in the Seat Frame (36). Tighten a 1/4" Nylon Locknut (2) with a 1/4" Washer (10) onto the Carriage Bolt.

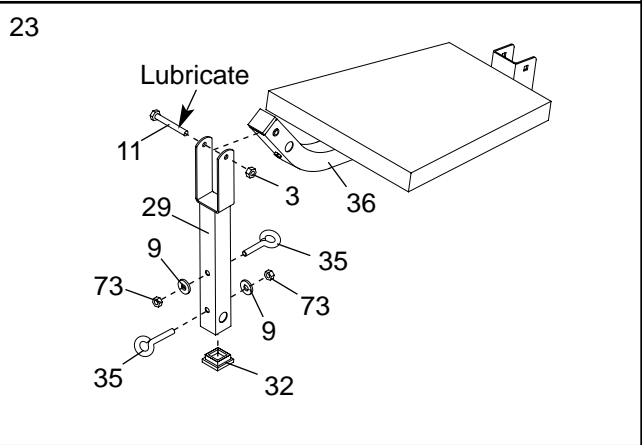
Attach the other end of the Seat (13) to the Seat Frame (36) with a 1/4" Washer (10) and the 1/4" x 2" Screw (24).



23. Press a 1 1/2" Square Inner Cap (32) into the Leg Lever (29).

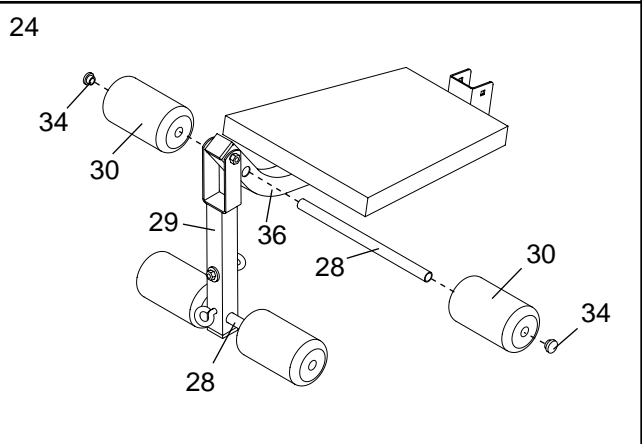
Lubricate the 5/16" x 2 3/4" Bolt (11). Attach the Leg Lever (29) to the Seat Frame (36) with the Bolt and a 5/16" Nylon Locknut (3). **Do not over-tighten the Nylon Locknut; the Leg Lever must be able to pivot freely.**

Insert two 3/8" x 2" Eyebolts (35) into the Leg Lever (29) from the directions shown. Tighten a 3/8" Nylon Locknut (73) and a 3/8" Washer (9) onto each Eyebolt.

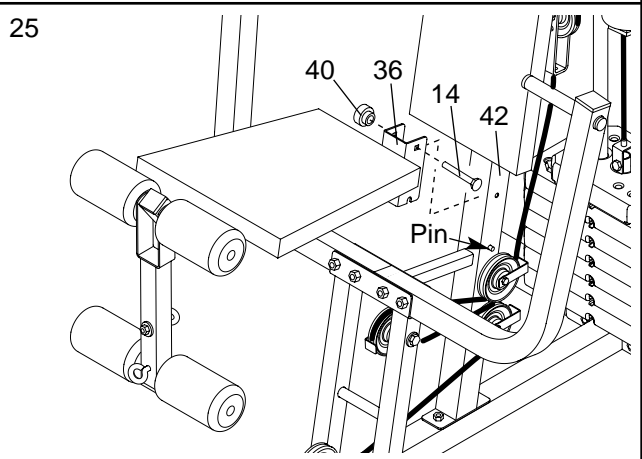


24. Press two 3/4" Round Inner Cap (34) into the ends of a 12 1/2" Pad Tube (28). Insert the Pad Tube into the Seat Frame (36). Slide two 5 1/2" Pads (30) onto the Pad Tube.

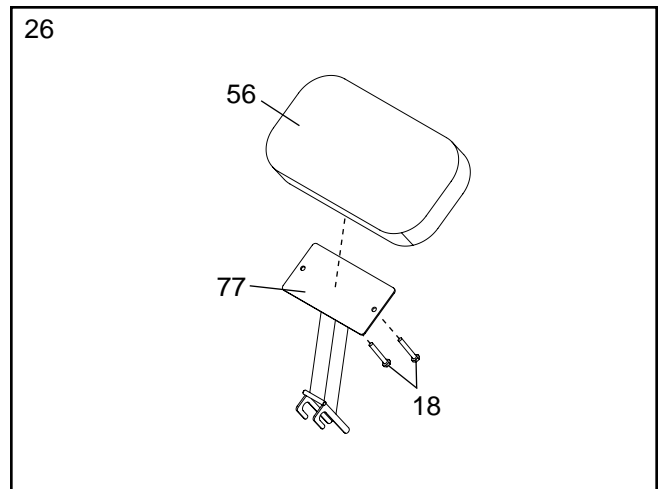
Assemble the other Pad Tube (28) to the Leg Lever (29) in the same manner.



25. Rest the Seat Frame (36) on the indicated pin in the Front Upright (42). Attach the Seat Frame to the Front Upright with a 5/16" x 2 3/4" Carriage Bolt (14) and the Seat Knob (40).



26. Attach the Preacher Pad (56) to the Preacher Post (77) with two 1/4" x 3/4" Screws (18).



27. Make sure that all parts have been properly tightened. The use of the remaining parts will be explained in ADJUSTMENTS, beginning on the following page.

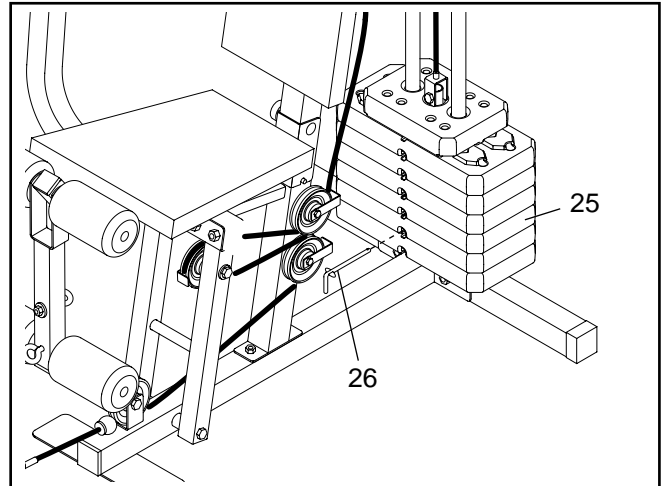
Before using the weight system, pull each cable a few times to make sure that the cables move smoothly over the pulleys. If one of the cables does not move smoothly, find and correct the problem. **IMPORTANT: If the cables are not properly installed, they may be damaged when heavy weight is used. See the CABLE DIAGRAM on page 18 of this manual for proper cable routing. If there is any slack in the cables, you will need to remove it by tightening the cables; see TROUBLESHOOTING AND MAINTENANCE on page 17.**

ADJUSTMENTS

The instructions below describe how each part of the weight system can be adjusted. Refer to the exercise guide accompanying this manual to see how the weight system should be set up for each exercise. **IMPORTANT: When attaching the lat bar or nylon strap, make sure that the attachments are in the correct starting position for the exercise to be performed. If there is any slack in the cables or chain as an exercise is performed, the effectiveness of the exercise will be reduced.**

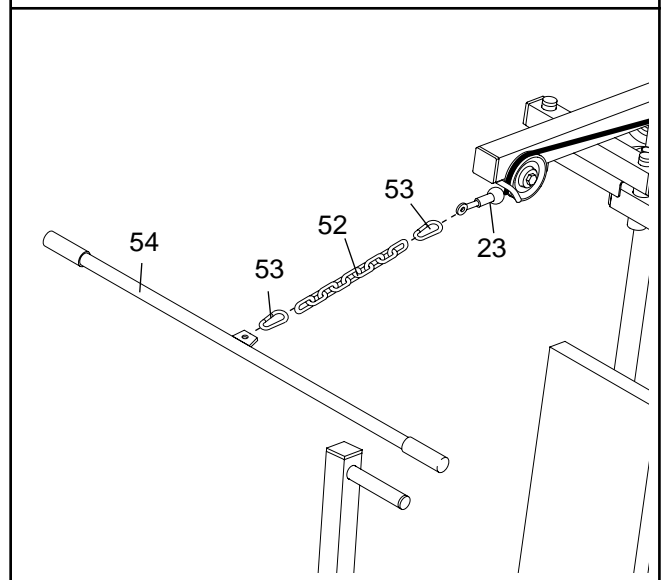
CHANGING THE WEIGHT SETTING

To change the weight setting of the weight stack, insert the Weight Pin (26) under the desired Weight (25). Make sure to insert the Weight Pin until the bent end of the Weight Pin is touching the Weights, and turn the bent end downward. The weight setting of the weight stack can be changed from 6.5 pounds to 81.5 pounds, in increments of 12.5 pounds. **Note: Due to the cables and pulleys, the actual amount of resistance at each exercise station may vary from the weight setting. Use the WEIGHT RESISTANCE CHART on page 16 to find the actual amount of resistance at each weight station.**



ATTACHING THE ACCESSORIES

Attach the Lat Bar (54) to the Long Cable (23) with a Cable Clip (53). For some exercises, the Chain (52) should be attached between the Lat Bar and the Cable with two Cable Clips. **Adjust the length of the Chain between the Lat Bar and the Cable so the Lat Bar is in the correct starting position for the exercise to be performed.**

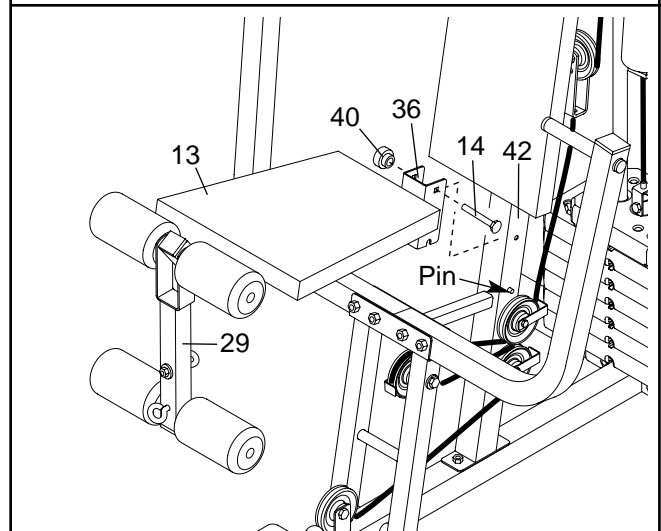


The accessories can be attached to the Short Cable (not shown) in the same manner.

Note: The seat frame must be removed from the front upright before the Short Cable (not shown) is used. (See ATTACHING AND REMOVING THE SEAT, below.)

ATTACHING AND REMOVING THE SEAT

Set the Seat Frame (36) onto the indicated pin on the Front Upright (42). Attach the Seat Frame to the Front Upright with a 5/16" x 2 3/4" Carriage Bolt (14) and the Seat Knob (40).

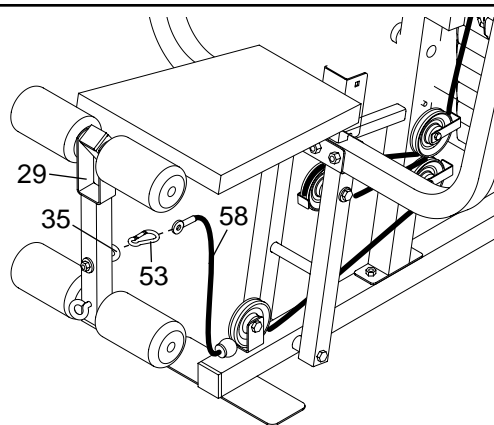


For some exercises, the Seat (13) must be removed. First, make sure that the Chain (not shown) is not attached to the Leg Lever (29). Next, remove the Seat Knob (40) and the 5/16" x 2 3/4" Carriage Bolt (14) from the Seat Frame (36). Lift the Seat Frame off the Front Upright (42).

ATTACHING THE LEG LEVER TO THE LOW PULLEY STATION

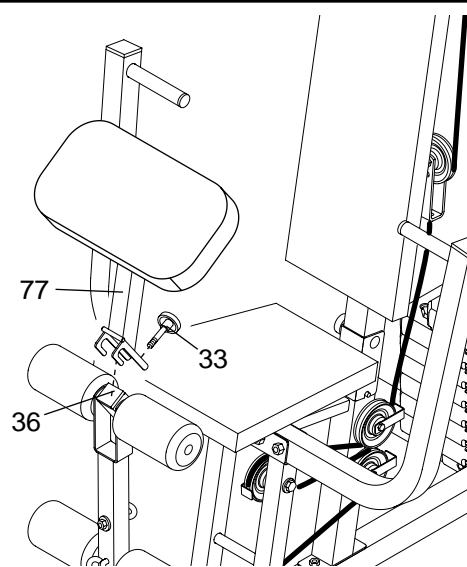
To use the Leg Lever (29), the seat must be attached to the front upright (see ATTACHING AND REMOVING THE SEAT, on page 14).

Attach the Short Cable (58) to the indicated 3/8" x 2" Eyebolt (35) with a Cable Clip (53).



ATTACHING THE PREACHER PAD TO THE SEAT FRAME

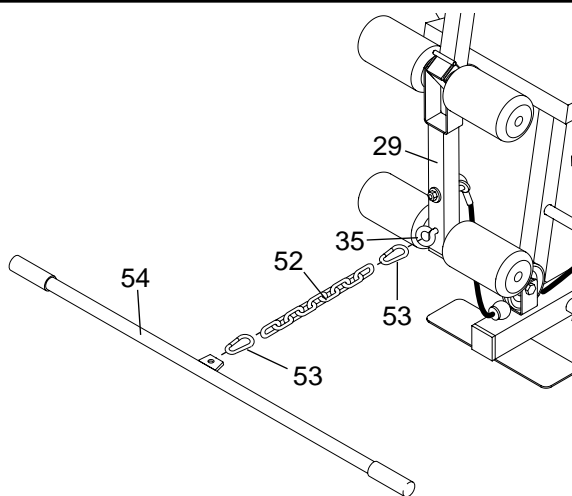
Set the hooks on the bottom of the Preacher Post (77) around the 5/16" x 2 3/4" Bolt (not shown) in the Seat Frame (36). Secure the Preacher Post to the Seat Frame with the Preacher Knob (33).



ATTACHING THE LAT BAR TO THE LEG LEVER

To use the Lat Bar (54) to do curl exercises, attach the short cable to the leg lever, and the preacher pad (not shown) to the seat frame (see ATTACHING THE LEG LEVER TO THE LOW PULLEY STATION and ATTACHING THE PREACHER PAD TO THE SEAT FRAME, above).

Attach one end of a Chain (52) to the Lat Bar (54) with a Cable Clip (53). Attach the other end of the Chain to the indicated 3/8" x 2" Eyebolt (35) on the Leg Lever (29) with a Cable Clip.



WEIGHT RESISTANCE CHART

This chart shows the approximate weight resistance at each station. "Top" refers to the 6.5 lb. top weight. The other numbers refer to the 12.5 lb. weight plates. Weight resistance shown for the butterfly arm station is for each butterfly arm. Note: The actual resistance at each weight station may vary due to differences in individual weight plates, as well as friction between the cables, pulleys, and weight guides.

WEIGHT PLATES	PRESS ARM (lbs.)	BUTTERFLY ARM (lbs.)	LEG LEVER (lbs.)	HIGH PULLEY (lbs.)	LOW PULLEY (lbs.)
Top	20	10	15	14	24
1	45	22	36	28	54
2	70	33	54	44	82
3	99	42	75	60	115
4	128	48	96	72	147
5	153	60	115	90	175
6	184	69	137	103	209

TROUBLESHOOTING AND MAINTENANCE

Inspect and tighten all parts each time the weight system is used. Replace any worn parts immediately. The weight system can be cleaned using a damp cloth and mild non-abrasive detergent. Do not use solvents.

TIGHTENING THE CABLES

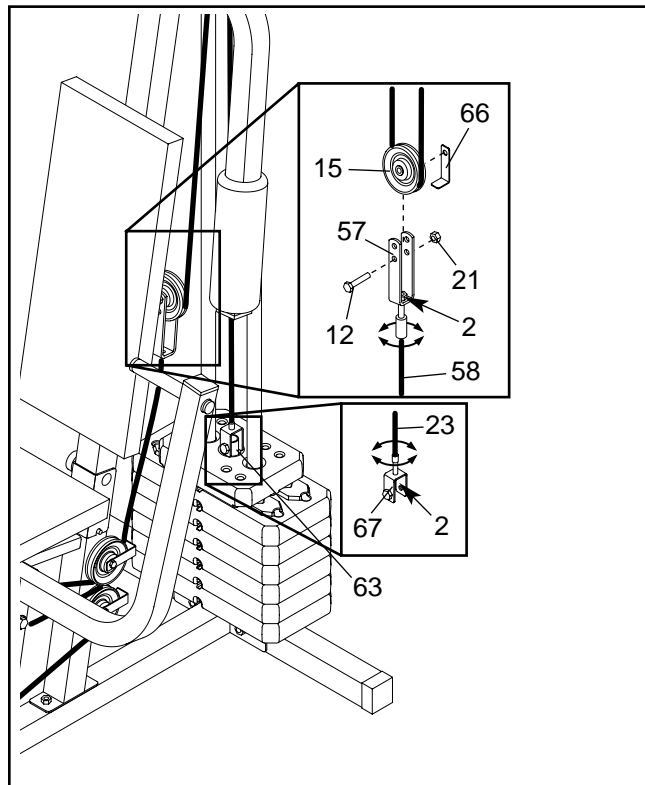
Woven cable, the type of cable used on the weight system, can stretch slightly when it is first used. If there is slack in the cables before resistance is felt, the cables should be tightened.

Slack can be removed by moving the 3 1/2" Pulley (15) to the lower hole in the Long "U"-bracket (57). Remove the 3/8" Nylon Locknut (21) and the 3/8" x 2" Bolt (12) from the Cable Trap (66), Pulley, and "U"-bracket. Re-attach the Pulley and Cable Trap. Make sure that the Cable Trap is positioned to hold the Cable in place, and that the Cable and Pulley move smoothly.

Additional slack can be removed from the cables by tightening the 1/4" Nylon Locknuts (2) at the end of the Long Cable (23) and at the end of the Short Cable (58). To do this you may need to remove the Small "U"-bracket (67) from the Weight Tube (63) or remove the 3 1/2" Pulley (15) from the Long "U"-bracket (57). Make sure that the cables are not too tight, or the Top Weight (76) will be lifted off the weight stack.

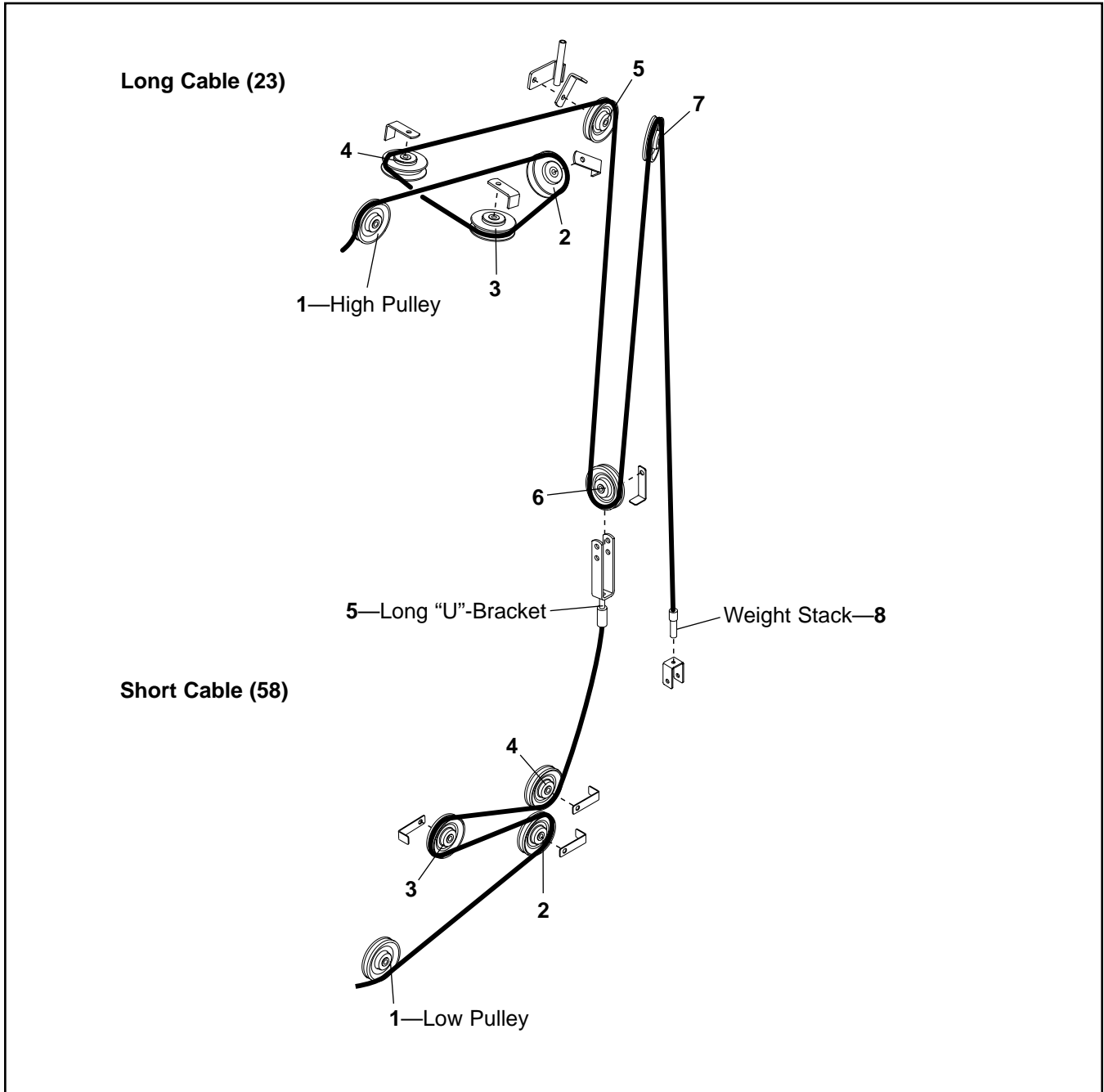
Note: If a cable tends to slip off the pulleys often, the cable may have become twisted. Remove the cable and re-install it.

If the cables need to be replaced, see ORDERING REPLACEMENT PARTS on the back cover of this manual.

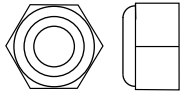


CABLE DIAGRAM

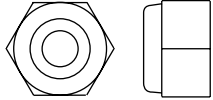
The cable diagram below shows the proper routing of the Long Cable (23) and the Short Cable (58). Use the diagram to make sure that the two Cables and the cable traps have been assembled correctly. If the Cables have not been correctly routed, the weight system will not function properly and damage may occur. The numbers show the correct route for each Cable; the starting and ending points of each Cable are labeled. **Make sure that the cable traps do not touch or bind the Cables.**



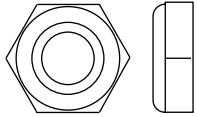
PART IDENTIFICATION CHART—Model No. WESY19512 R0903A



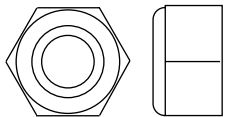
1/4" Nylon Locknut (2)



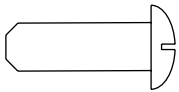
5/16" Nylon Locknut (3)



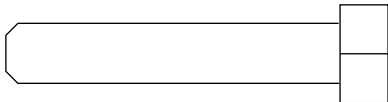
3/8" Nylon Jamnut (73)



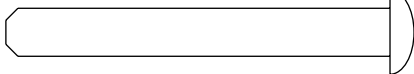
3/8" Nylon Locknut (21)



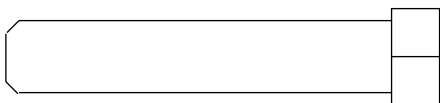
1/4" x 3/4" Screw (18)



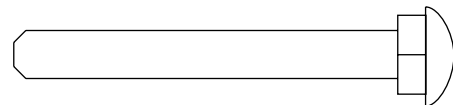
5/16" x 1 3/4" Bolt (72)



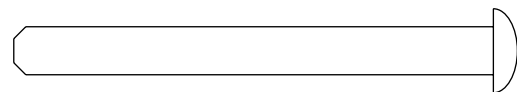
1/4" x 2" Screw (24)



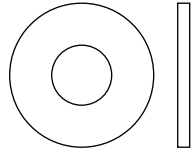
3/8" x 2" Bolt (12)



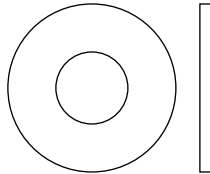
1/4" x 2" Carriage Bolt (38)



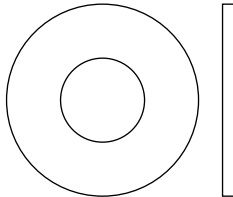
1/4" x 2 1/2" Screw (43)



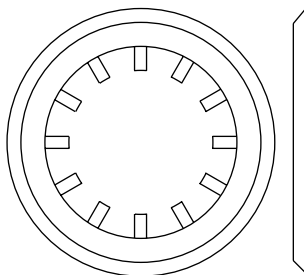
1/4" Washer (10)



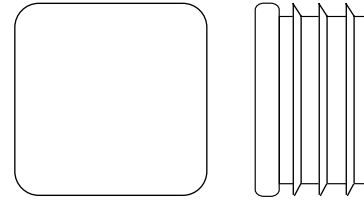
5/16" Washer (8)



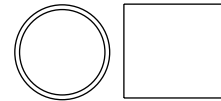
3/8" Washer (9)



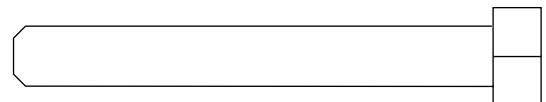
1" Retainer (69)



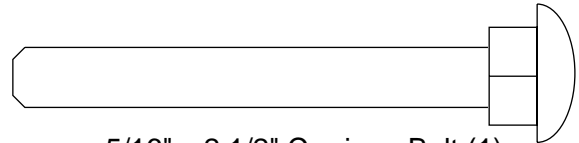
1" Square Inner Cap (65)



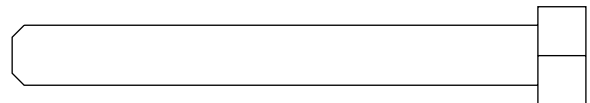
1/2" x 17/32" Spacer (61)



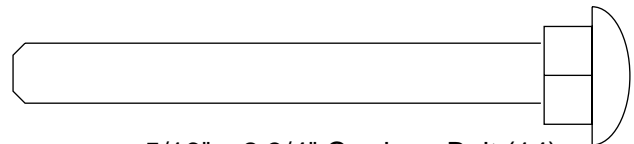
5/16" x 2 1/2" Bolt (22)



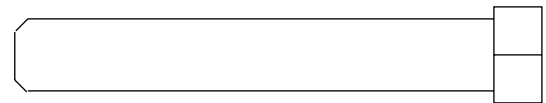
5/16" x 2 1/2" Carriage Bolt (1)



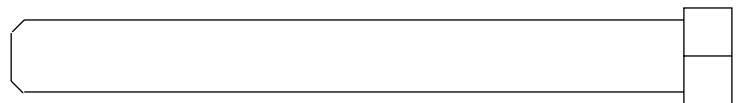
5/16" x 2 3/4" Bolt (11)



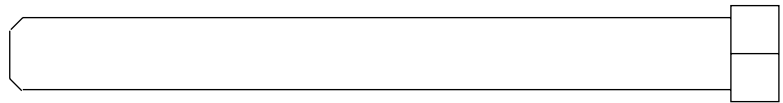
5/16" x 2 3/4" Carriage Bolt (14)



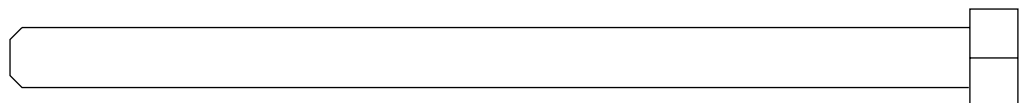
3/8" x 2 1/2" Bolt (7)



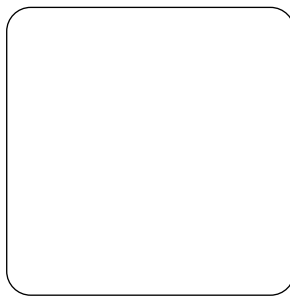
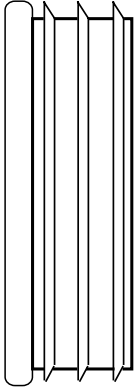
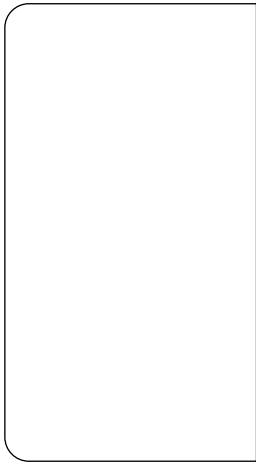
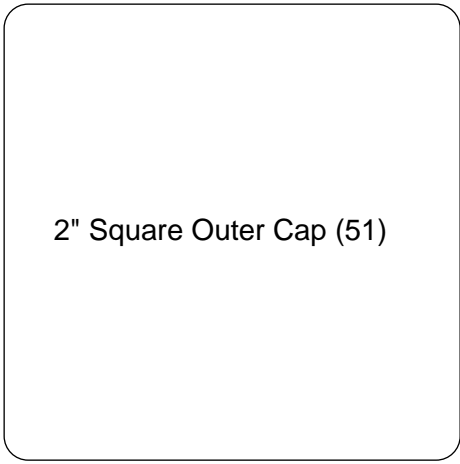
3/8" x 3 1/2" Bolt (16)



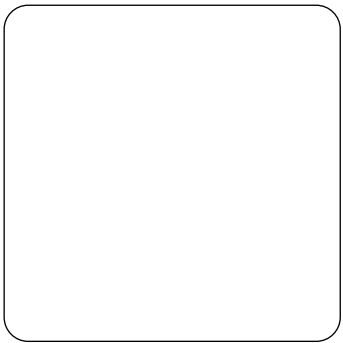
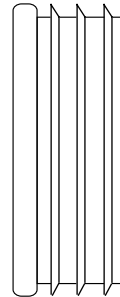
3/8" x 3 3/4" Bolt (71)



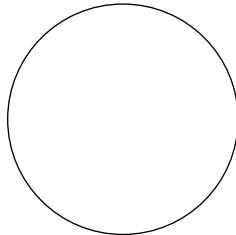
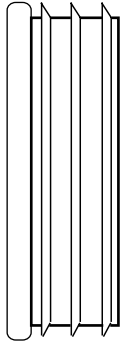
5/16" x 5" Bolt (68)



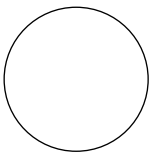
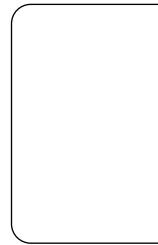
1 1/2" Square Inner Cap (32)



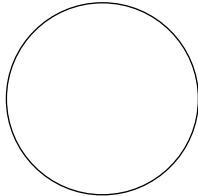
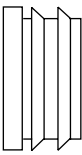
1 3/4" Square Inner Cap (44)



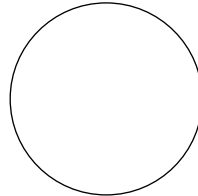
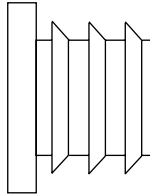
1" Round Cover Cap (70)



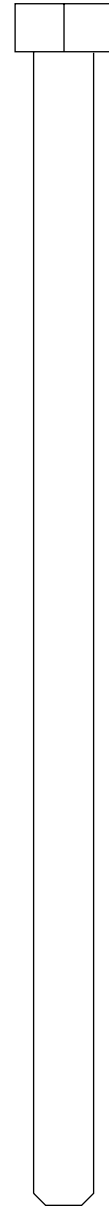
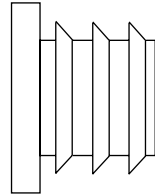
3/4" Round Inner Cap (34)



Round Inner Cap (78)



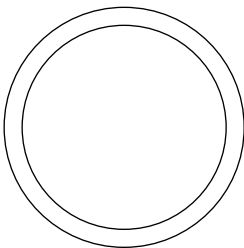
1" Round Inner Cap (49)



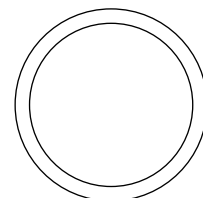
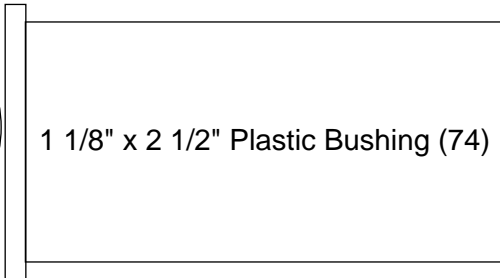
5/16" x 6" Bolt (60)



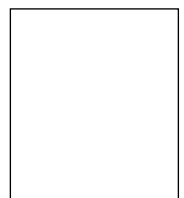
3/8" x 8" Bolt (59)



1 1/8" x 2 1/2" Plastic Bushing (74)



1" x 7/8" Plastic Bushing (75)



**REMOVE THIS PART IDENTIFICATION CHART AND PART LIST/
EXPLODED DRAWING. SAVE THIS PART IDENTIFICATION CHART
AND PART LIST/EXPLODED DRAWING FOR FUTURE REFERENCE.**

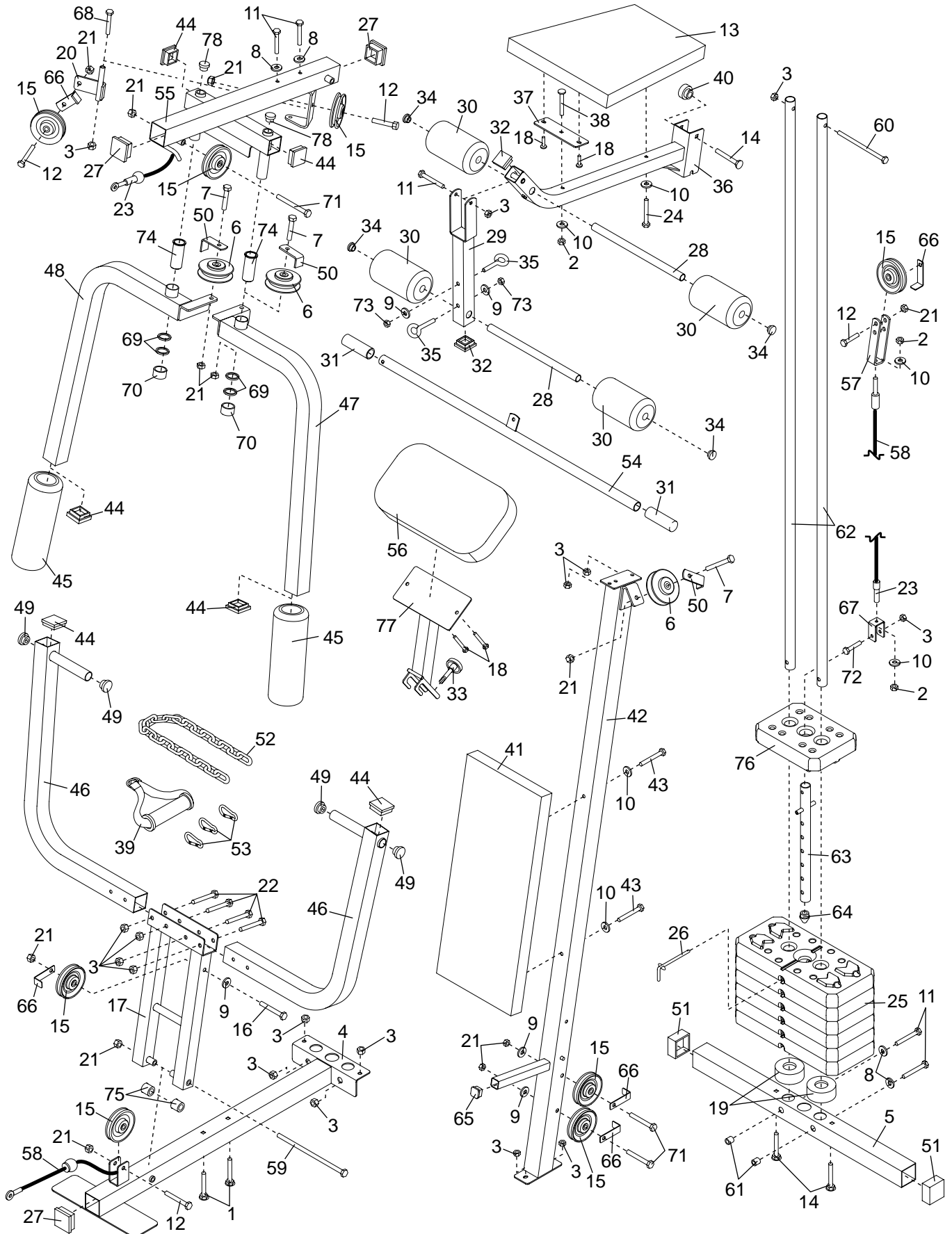
PART LIST—Model No. WESY19512

R0903A

Key No.	Qty.	Description	Key No.	Qty.	Description
1	2	5/16" x 2 1/2" Carriage Bolt	41	1	Backrest
2	3	1/4" Nylon Locknut	42	1	Front Upright
3	16	5/16" Nylon Locknut	43	2	1/4" x 2 1/2" Screw
4	1	Base	44	6	1 3/4" Square Inner Cap
5	1	Stabilizer	45	2	10" Pad
6	3	"V"-Pulley	46	2	Press Arm
7	3	3/8" x 2 1/2" Bolt	47	1	Left Arm
8	4	5/16" Washer	48	1	Right Arm
9	5	3/8" Washer	49	4	1" Round Inner Cap
10	6	1/4" Washer	50	3	Long Cable Trap
11	5	5/16" x 2 3/4" Bolt	51	2	2" Square Outer Cap
12	4	3/8" x 2" Bolt	52	1	Chain
13	1	Seat	53	3	Cable Clip
14	3	5/16" x 2 3/4" Carriage Bolt	54	1	Lat Bar
15	8	3 1/2" Pulley	55	1	Top Frame
16	1	3/8" x 3 1/2" Bolt	56	1	Preacher Pad
17	1	Press Frame	57	1	Long "U"-bracket
18	4	1/4" x 3/4" Screw	58	1	Short Cable
19	2	Weight Bumper	59	1	3/8" x 8" Bolt
20	1	Pulley Bracket	60	1	5/16" x 6" Bolt
21	12	3/8" Nylon Locknut	61	2	1/2" x 17/32" Spacer
22	4	5/16" x 2 1/2" Bolt	62	2	Weight Guide
23	1	Long Cable	63	1	Weight Tube
24	1	1/4" x 2" Screw	64	1	Weight Tube Bumper
25	6	Weight	65	1	1" Square Inner Cap
26	1	Weight Pin	66	5	Cable Trap
27	3	2" Square Inner Cap	67	1	Small "U"-bracket
28	2	12 1/2" Pad Tube	68	1	5/16" x 5" Bolt
29	1	Leg Lever	69	4	1" Retainer
30	4	5 1/2" Pad	70	2	1" Round Cover Cap
31	2	Handgrip	71	3	3/8" x 3 3/4" Bolt
32	2	1 1/2" Square Inner Cap	72	1	5/16" x 1 3/4" Bolt
33	1	Preacher Knob	73	2	3/8" Nylon Jamnut
34	4	3/4" Round Inner Cap	74	2	1 1/8" x 2 1/2" Plastic Bushing
35	2	3/8" x 2" Eyebolt	75	2	1" x 7/8" Plastic Bushing
36	1	Seat Frame	76	1	Top Weight
37	1	Seat Plate	77	1	Preacher Post
38	1	1/4" x 2" Carriage Bolt	78	2	Round Inner Cap
39	1	Handle	#	1	User's Manual
40	1	Seat Knob	#	1	Exercise Guide

EXPLODED DRAWING—Model No. WESY19512

R0903A



ORDERING REPLACEMENT PARTS

To order replacement parts, simply call our Customer Service Department toll-free at 1-800-999-3756, Monday through Friday, 6 a.m. until 6 p.m. Mountain Time (excluding holidays). To help us assist you, please be prepared to give the following information:

- The MODEL NUMBER of the product (WESY19512)
- The NAME of the product (WEIDER® 8525 weight system)
- The SERIAL NUMBER of the product (see the front cover of this manual)
- The KEY NUMBER and DESCRIPTION of the part(s) (see the PART LIST in the center of this manual)

LIMITED WARRANTY

ICON Health & Fitness, Inc. (ICON), warrants this product to be free from defects in workmanship and material, under normal use and service conditions, for a period of ninety (90) days from the date of purchase. This warranty extends only to the original purchaser. ICON's obligation under this warranty is limited to replacing or repairing, at ICON's option, the product through one of its authorized service centers. All repairs for which warranty claims are made must be pre-authorized by ICON. This warranty does not extend to any product or damage to a product caused by or attributable to freight damage, abuse, misuse, improper or abnormal usage or repairs not provided by an ICON authorized service center; products used for commercial or rental purposes; or products used as store display models. No other warranty beyond that specifically set forth above is authorized by ICON.

ICON is not responsible or liable for indirect, special or consequential damages arising out of or in connection with the use or performance of the product or damages with respect to any economic loss, loss of property, loss of revenues or profits, loss of enjoyment or use, costs of removal or installation or other consequential damages of whatsoever nature. Some states do not allow the exclusion or limitation of incidental or consequential damages. Accordingly, the above limitation may not apply to you.

The warranty extended hereunder is in lieu of any and all other warranties and any implied warranties of merchantability or fitness for a particular purpose is limited in its scope and duration to the terms set forth herein. Some states do not allow limitations on how long an implied warranty lasts. Accordingly, the above limitation may not apply to you.

This warranty gives you specific legal rights. You may also have other rights which vary from state to state.

ICON HEALTH & FITNESS, INC., 1500 S. 1000 W., LOGAN, UT 84321-9813