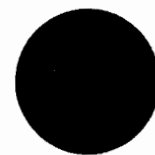


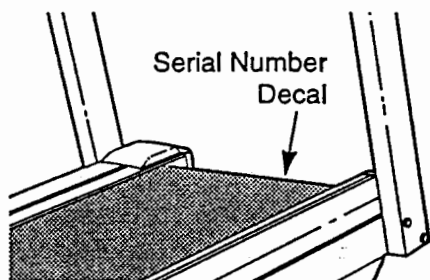
# PRO-FORM<sup>®</sup> 520

0-10 MPH · 2.0 HP · POWER INCLINE



Model No. WETL10050

Serial No. \_\_\_\_\_



## USER'S MANUAL

### QUESTIONS?

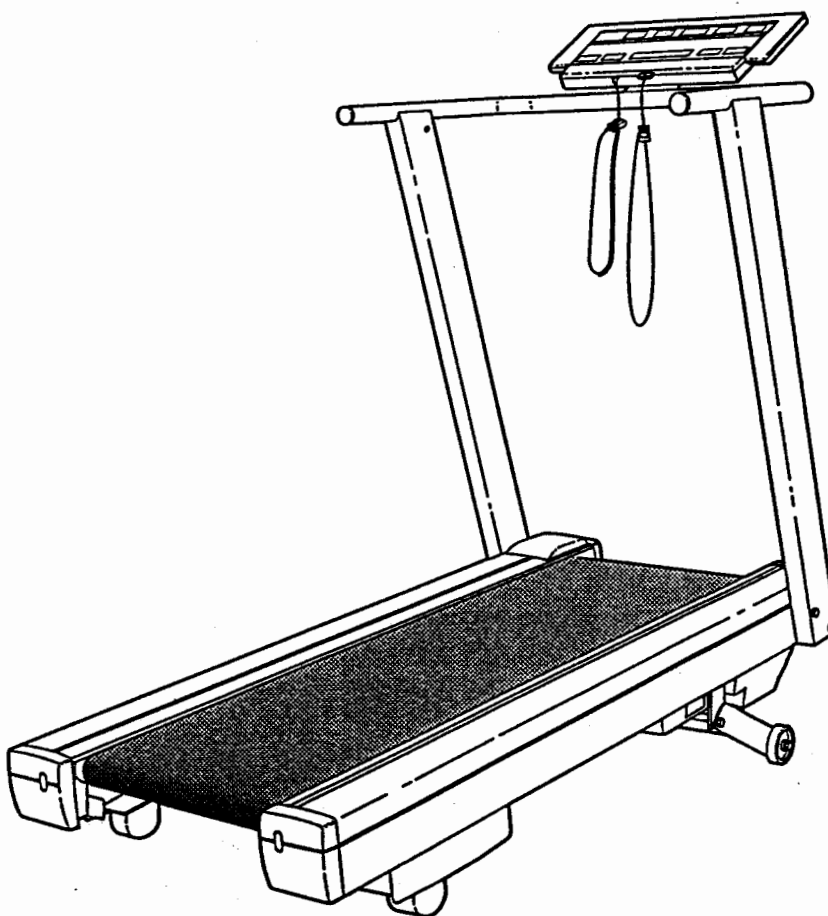
As a manufacturer, we are committed to providing you complete customer satisfaction. If you have questions, or find there are missing or damaged parts, we will guarantee you complete satisfaction through our Customer Service Department.

Please CALL:  
0800-220532

or WRITE:  
Consumer Products Distribution  
M40 Distribution Park  
Loxley Road  
Wellesbourne  
Warwick  
CV35 9JY

### ⚠ CAUTION!

Read all precautions and instructions in this manual carefully before using this equipment. Save this manual for reference.





# PRO·FORM

# 520

0-10 MPH · 2.0 HP · POWER INCLINE

---

## TABLE OF CONTENTS

|                                  |            |
|----------------------------------|------------|
| IMPORTANT PRECAUTIONS .....      | 4          |
| BEFORE YOU BEGIN .....           | 5          |
| ASSEMBLY .....                   | 6          |
| OPERATION AND ADJUSTMENT .....   | 7          |
| TROUBLE-SHOOTING .....           | 10         |
| CONDITIONING GUIDELINES .....    | 12         |
| PART LIST .....                  | 14         |
| EXPLODED DRAWING .....           | 15         |
| ORDERING REPLACEMENT PARTS ..... | Back Cover |

**⚠ WARNING:** Before beginning this or any exercise program, consult your physician. This is especially important for persons over the age of 35 or persons with pre-existing health problems. Read all instructions before using. ICON assumes no responsibility for personal injury or property damage sustained by or through the use of this product.

# IMPORTANT PRECAUTIONS

**⚠ WARNING:** To reduce the risk of burns, fire, electric shock or injury to persons, read the following Important precautions and Information before operating the treadmill.

1. This appliance is for operation on 220–240 volts AC only.
2. Should any damage occur to the supply cable or plug, the whole cable and plug should be replaced. The original plug and cable should be safely disposed of and the plug should under no circumstances be used in any other 8 amp socket outlet as this could cause electric shock.
3. When replacing the fuse, an 8 amp ASTA approved BS1362 type should be fitted to the fuse carrier. The plug should not be used without a fuse carrier being fitted. If the fuse carrier is lost or damaged, replacement carriers are obtainable from Icon Fitness Lifestyle Ltd. or a Volex supplier, and should be 13 amp rated colour coded red.
4. Position the treadmill on a level surface, with at least 2 m. of clearance behind the treadmill. Do not place the treadmill near water, outdoors or on any surface that blocks an air opening. Do not operate where aerosol products are used or where oxygen is being administered.
5. When connecting the power cord (see PLUGGING IN THE POWER CORD on page 7), plug the power cord directly into an earthed circuit capable of carrying 8 or more amps. No other appliance should be on the same circuit. Keep the power cord away from heated surfaces. If an extension cord is needed, use only a 14-gauge general-purpose three cord of cable of 2 metres or less in length.
6. Never move the walking belt whilst the power is turned off. Do not operate the treadmill if the power cord or plug is damaged, or if the treadmill is not working properly. (See BEFORE YOU BEGIN on page 5 if the treadmill is not working properly.)
7. Wear appropriate exercise clothing when using the treadmill; do not wear loose clothing that could become caught in the treadmill. *Always wear athletic shoes; never use the treadmill with bare feet, wearing only stockings or in sandals.* Athletic support clothes are recommended for both men and women.
8. The pulse earclip is not a medical device. Various factors, including the user's movement whilst exercising, may affect the accuracy of heart rate readings. The earclip is intended only as an exercise aid in determining heart rate trends in general.
9. Never start the treadmill whilst you are standing on the walking belt. Always hold the handrail when exercising on the treadmill.
10. Never allow more than one person on the treadmill at a time. The treadmill should not be used by persons weighing more than 115 kg.
11. Keep small children away from the treadmill at all times. Never leave the treadmill unattended whilst it is running. Always remove the safety key when the treadmill is not in use.
12. Never drop or insert any object into any opening.
13. To reduce the possibility of overheating, do not operate the treadmill continuously for longer than 1 hour.
14. The treadmill is capable of high speeds. Adjust the speed slowly to avoid sudden jumps in speed.
15. Use the treadmill only as described in this manual.
16. Always unplug the power cord before performing the maintenance and adjustment procedures described in this manual. Never remove the safety cover unless instructed to do so by an authorised service representative. Servicing other than the procedures in this manual should be performed by an authorised service representative only.

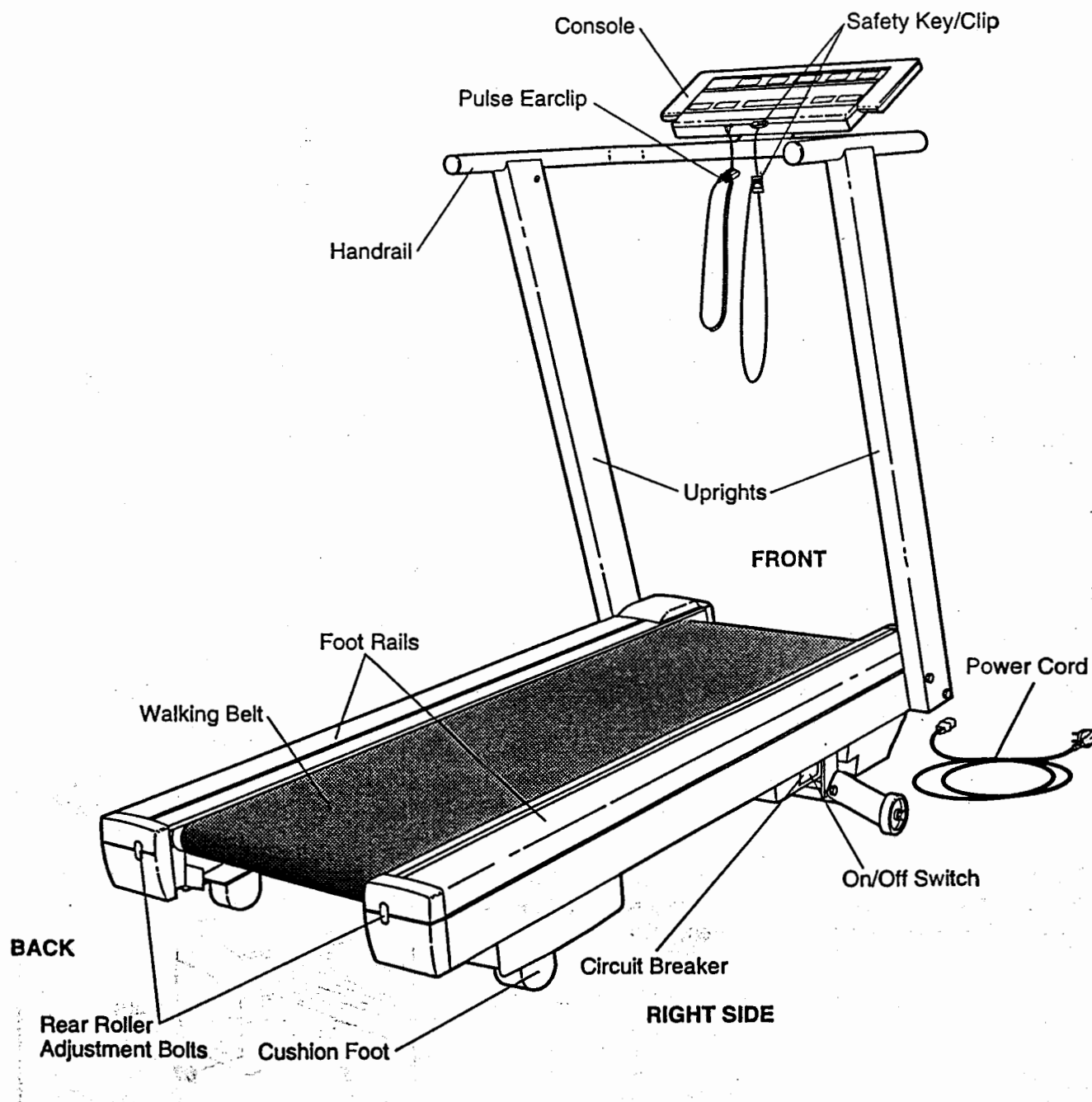
**4 SAVE THESE INSTRUCTIONS**

# BEFORE YOU BEGIN

Thank you for selecting the PROFORM® 520 treadmill. The PROFORM® 520 treadmill blends advanced technology with innovative design to let you enjoy an excellent form of cardiovascular exercise in the convenience and privacy of your home.



**For your benefit, read this manual carefully before using the treadmill.** If you have additional questions, please call our Customer Service Department at 0800-220532. To help us assist you, please note the product model number and serial number before calling. The model number of the treadmill is WETL10050. The serial number can be found on a decal attached to the treadmill (see the front cover of this manual for the location).

Before reading further, please review the drawing below and familiarise yourself with the parts that are labelled.



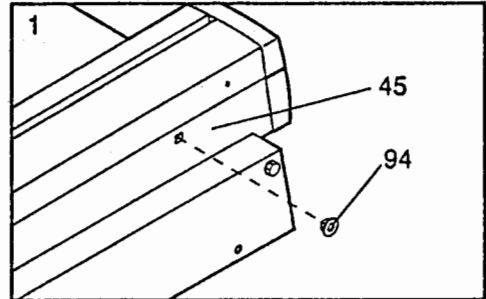
# ASSEMBLY

Assembly requires the help of a second person. Set the treadmill in a cleared area and remove all packing materials. Do not dispose of the packing materials until assembly is completed.

**THE FOLLOWING TOOLS ARE REQUIRED FOR ASSEMBLY:** The Included 7/32" allen wrench  and your own adjustable spanner .

1. Insert the square end of one of the Upright Bushings (94) into the square hole in the right side of the treadmill Frame (45).

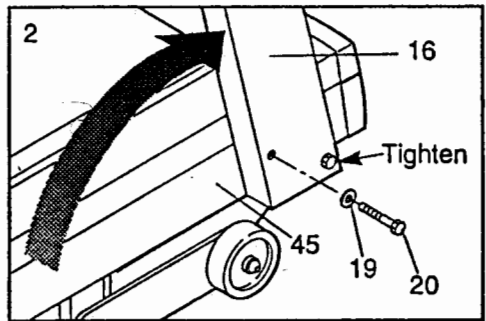
Insert the other Upright Bushing into the hole in the left side of the treadmill Frame (not shown).



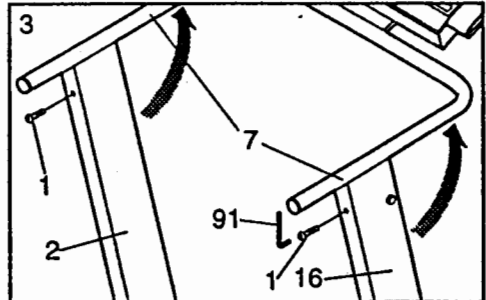
2. With the help of a second person, raise the Right Upright (16) and the Left Upright (not shown) to a vertical position.

Insert a 3/8" x 3 1/4" Bolt (20), with a Flat Washer (19), into the hole in the lower end of the Right Upright (16). Align the hole in the Right Upright with the hole in the side of the Frame (45), and tighten the Bolt into the Frame. Tighten the Bolt that is already in the Right Upright.

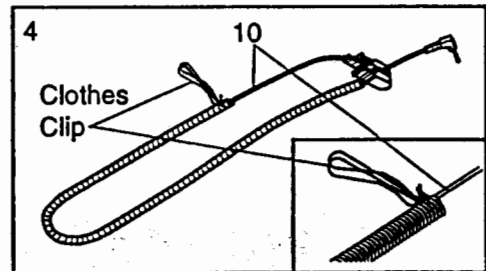
Attach the Left Upright (not shown) in the same manner.



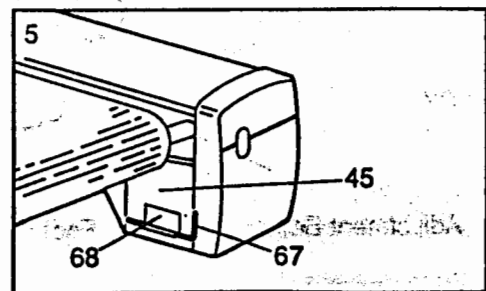
3. With the help of a second person, raise the Handrail (7) to the position shown. Insert a Handrail Lock Bolt (1) into each of the Uprights (2, 16). Tighten the Handrail Lock Bolts with the 7/32" Allen Wrench (91).



4. Slide the metal Clothes Clip onto the Pulse Earclip (10) in the indicated location. The use of the Pulse Earclip is explained in LED DISPLAY OPERATION on page 9.



5. Remove the paper backing from the Wrench Clip (68). Press the Wrench Clip onto the Frame (45) in the indicated location. Press the 3/16" Allen Wrench (67) into the Wrench Clip.



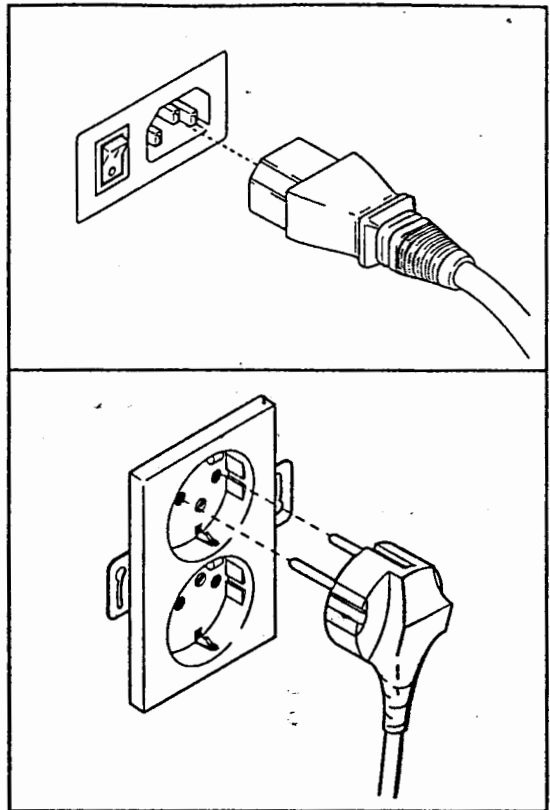
# OPERATION AND ADJUSTMENT

## PLUGGING IN THE POWER CORD

This product must be earthed. If it should malfunction or break down, earthing provides a path of least resistance for electric current to reduce the risk of electric shock.

Plug the indicated end of the power cord into the treadmill. Plug the other end of the power cord into an appropriate outlet that is properly installed and earthed in accordance with all local codes and ordinances.

**⚠ DANGER:** Improper connection of the equipment-earthing conductor can result in a risk of electric shock. Check with a qualified electrician or serviceman if you are in doubt as to whether the product is properly earthed. Do not modify the plug provided with the product—if it will not fit the outlet, have a proper outlet installed by a qualified electrician.



## MAINTENANCE-FREE WALKING BELT

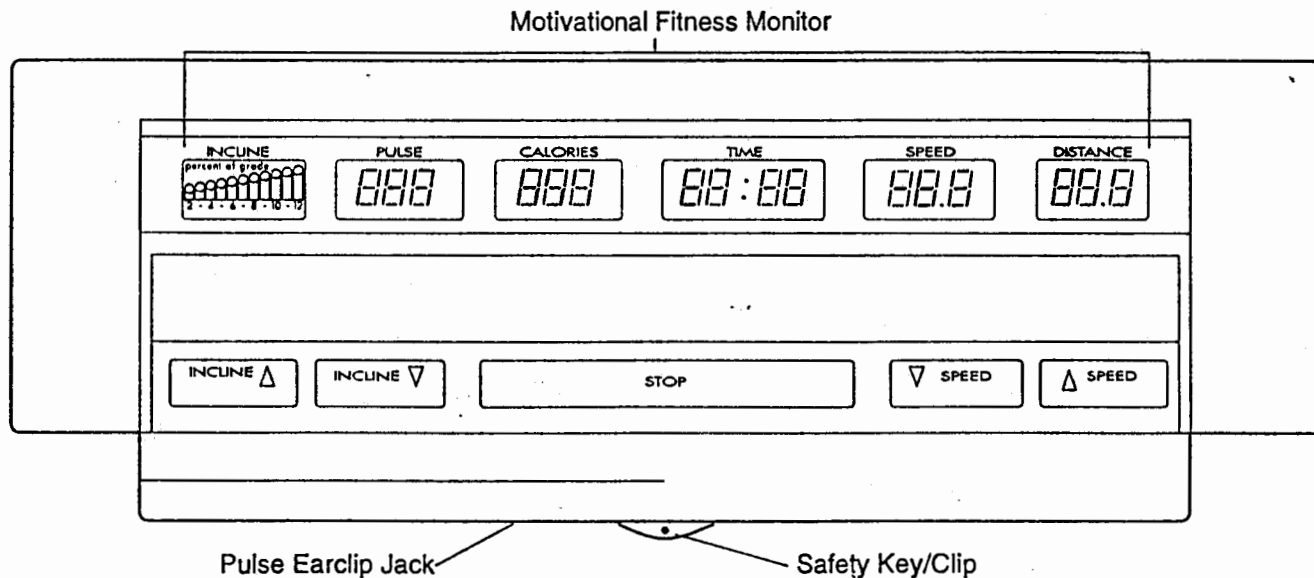
Your treadmill features a maintenance-free walking belt coated with PERFORMANT LUBE™, a high-performance lubricant.

During the first few hours of use, it is normal for a small amount of white powder to appear on the foot rails and the walking platform. The white powder is the high-performance lubricant from the walking belt.

**IMPORTANT:** Never apply silicone spray or other substances to the walking belt or the walking platform. They will deteriorate the walking belt and cause excessive wear.

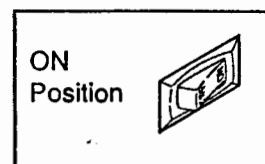
## DIAGRAM OF THE CONSOLE

The heart of the treadmill is the sophisticated console. The console features a safety key-operated power switch, electronic speed and incline controls and six independent LED displays to give you continuous exercise feedback. Please read these instructions carefully before operating the console. Note: If there is a sheet of protective plastic on the face of the console, peel it off before operating the console.



### TURNING ON THE POWER

If the safety key is in the console, remove it. Make sure that the on/off switch located near the power cord is in the ON position (see the drawing at the right). Plug in the power cord (see **PLUGGING IN THE POWER CORD** on page 7). All displays and indicators on the console will flash three times.



Step onto the foot rails of the treadmill. Locate the clip attached by a cord to the safety key, and slide the clip onto the waistband of your clothing.

**▲ WARNING:** Do not stand on the walking belt when turning the power on. Always wear the clip when operating the treadmill. When the safety key is removed from the console, the power will shut off.

Insert the safety key into the console. The six LED displays will light. Note: If the safety key was in the console when the power cord was plugged in, a "PO" will appear in the speed display. If this occurs, remove the safety key, wait for ten seconds and then reinsert it.

### SPEED CONTROL

When the power is turned on, the walking belt will be stationary. The speed of the walking belt can be controlled by pressing the SPEED buttons. Each time the SPEED increase button is pressed, the speed will increase by 0.2 km per hour, beginning at 0.8 km per hour. Each time the SPEED decrease button is pressed, the speed will decrease by 0.2 km per hour. The buttons can be held down to change the speed rapidly. The speed can be set at a minimum of 0.8 km per hour, up to a maximum of 16 km per hour, in increments of 0.2 km per hour.

**▲ WARNING:** After the SPEED buttons are pressed, it will take a few seconds for the walking belt to reach the selected speed. Adjust the speed gradually until you are familiar with the operation of the treadmill.

Press the SPEED increase button until the walking belt begins to move at slow speed. Hold the handrail, step carefully onto the walking belt and begin exercising. Change the speed as desired by pressing the SPEED buttons. To stop the walking belt, hold down the SPEED decrease button. The walking belt can be stopped quickly, if desired, by pressing the STOP bar.

## **INCLINE CONTROL**

To vary the intensity of your exercise, the incline of the treadmill can be changed by pressing the **INCLINE** buttons. Each time one of the buttons is pressed, the incline will change by 1%. The buttons can be held down to change the incline rapidly. The incline can be set at a minimum of 2%, up to a maximum of 12%. Note: After the buttons are pressed, it will take a few seconds for the treadmill to reach the selected incline.

## **LED DISPLAY OPERATION**

**INCLINE DISPLAY**—The incline display will show the selected incline of the treadmill.

**PULSE DISPLAY**—To use the pulse display of the console, plug the pulse earclip into the jack on the console. Attach the earclip to your left ear lobe and slide the metal clothes clip onto your collar. After a few seconds, your pulse will be shown in the pulse display. If your pulse is not shown, rub your ear lobe and reposition the earclip. It may be helpful to stand still whilst measuring your pulse.

**CALORIES DISPLAY**—The calories display will show the approximate number of nutritional Calories that you have burned. Note: The number of Calories burned will vary slightly depending on the speed and incline of the treadmill.

**TIME DISPLAY**—This display shows the elapsed time.

**SPEED DISPLAY**—This display shows the current speed of the walking belt.

**DISTANCE DISPLAY**—This display will show the total distance that you have walked or run, in kilometres.

Note: To reset the displays, remove the safety key then reinsert it into the console.

## **INFORMATION MODE**

The console features an information mode to let you keep track of trip time and distance, as well as the total time and distance that the treadmill has been operated. To select the information mode, hold down the **STOP** bar whilst inserting the safety key into the console.

When the information mode is selected, the time display will show the trip time, up to 9,999 hours. The distance and speed displays together will show the trip distance, up to 160,000 km. While the trip time and distance are displayed, they can be reset to zero by pressing the **INCLINE** decrease button.

To view the total time and distance, press the **INCLINE** increase button. The time display will show the total time, up to 9,999 hours. The distance and speed displays together will show the total distance, up to 160,000 km.

To exit the information mode, remove the safety key.

## **TURNING OFF THE POWER**

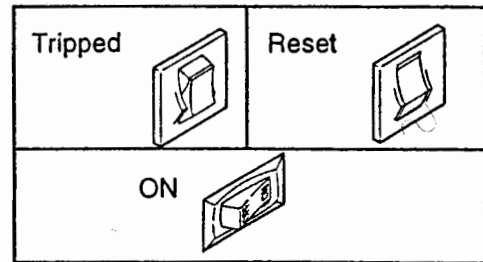
To turn off the power, remove the safety key from the console. Store the safety key in a secure location.

# TROUBLE-SHOOTING

Most treadmill problems can be solved by following the simple steps below. Find the symptom that applies, and follow the steps listed. If further assistance is needed, call our Customer Service Department toll-free at 0800-220532.

## 1. SYMPTOM: THE POWER DOES NOT TURN ON

- Make sure that the power cord is plugged into a properly earthed outlet. (See PLUGGING IN THE POWER CORD on pages 7.) If an extension cord is needed, use only a 14-gauge general-purpose cord of 2 m. or less in length.
- After the power cord has been plugged in, make sure that the safety key is fully inserted into the console. Various indicators on the console should light. (See TURNING ON THE POWER on page 8.)
- Check the circuit breaker located on the treadmill near the power cord. If the switch protrudes as shown, the circuit breaker has tripped. To reset the circuit breaker, wait for five minutes and then press the switch back in.
- Check the ON/OFF switch located on the treadmill near the power cord. The switch must be in the ON position.



## 2. SYMPTOM: THE POWER TURNS OFF DURING USE

- Check the circuit breaker located on the treadmill near the power cord. If the circuit breaker has tripped (see the drawing above), wait for five minutes and then press the switch back in.
- Make sure that the power cord is plugged in.
- Remove the safety key from the console. Reinsert the safety key fully into the console. Various indicators on the console should light.
- Check to make sure the ON/OFF switch is in the ON position. (See 1. d. above.)
- If the treadmill still will not run, please call our Customer Service Department.

## 3. SYMPTOM: THE PULSE EARCLIP DOES NOT FUNCTION PROPERLY

- Make sure that the pulse earclip is plugged fully into the jack on the console. Rub your left ear lobe and reposition the earclip. Attach the clothes clip to your collar.
- Stand still whilst measuring your pulse.
- The pulse earclip may need to be cleaned. Press the earclip open, and find the two clear circles inside the earclip. Wipe the two clear circles using a cotton swab moistened with water.

**⚠ WARNING:** The pulse earclip is not a medical device. Various factors, including the user's movement whilst exercising, may affect the accuracy of heart rate readings. The earclip is intended only as an exercise aid in determining heart rate trends in general.

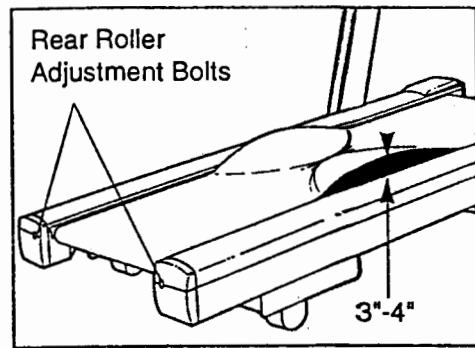
## 4. SYMPTOM: THE CONSOLE DOES NOT FUNCTION PROPERLY

- If a console malfunction occurs, an error code ("E1," "E2," "E3," etc.) may appear on the display. If an error code appears, remove the safety key, wait for ten seconds and then reinsert the safety key. If an error code appears again, call our Customer Service Department. Do not operate the treadmill until the problem is corrected.

## 5. SYMPTOM: THE WALKING BELT SLOWS WHEN WALKED ON

- If an extension cord is needed, use only a 14-gauge general-purpose cord of 2 m. or less in length.

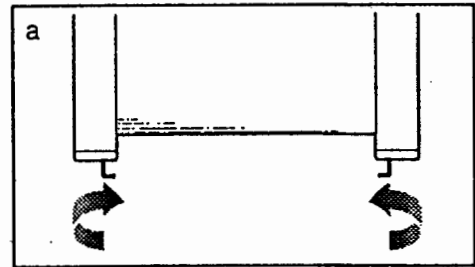
b. If the walking belt is overtightened, treadmill performance may decrease and the walking belt may be permanently damaged. Remove the safety key and **UNPLUG THE POWER CORD**. Using the 3/16" allen wrench, turn both rear roller adjustment bolts counterclockwise, 1/4 of a turn. When the walking belt is properly tightened, you should be able to lift each side of the walking belt 3-4 inches off the walking platform. The centre of the walking belt should just touch the walking platform. Be careful to keep the walking belt centred. Plug in the power cord, insert the safety key and run the treadmill for a few minutes. Repeat until the walking belt is properly tightened.



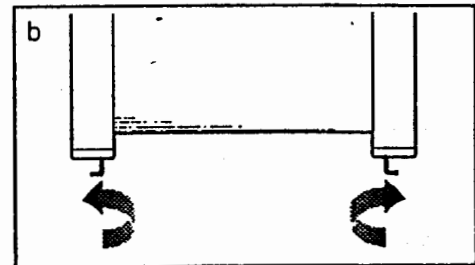
c. If the walking belt still slows when walked on, please call our Customer Service Department.

## 6. SYMPTOM: THE WALKING BELT IS OFF-CENTRE OR SLIPS WHEN WALKED ON

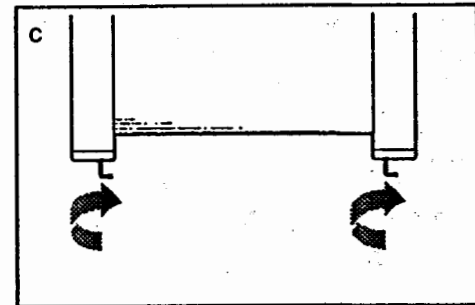
a. If the walking belt has shifted to the left, first remove the safety key and **UNPLUG THE POWER CORD**. Using the 3/16" allen wrench, turn the left rear roller adjustment bolt clockwise, and the right bolt counterclockwise, 1/4 of a turn each. Be careful not to overtighten the walking belt. Plug in the power cord, insert the safety key and run the treadmill for a few minutes. Repeat until the walking belt is centred.



b. If the walking belt has shifted to the right, first remove the safety key and **UNPLUG THE POWER CORD**. Using the 3/16" allen wrench, turn the left rear roller adjustment bolt counterclockwise, and the right bolt clockwise, 1/4 of a turn each. Be careful not to overtighten the walking belt. Plug in the power cord, insert the safety key and run the treadmill for a few minutes. Repeat until the walking belt is centred.



c. If the walking belt slips when walked on, first remove the safety key and **UNPLUG THE POWER CORD**. Using the 3/16" allen wrench, turn both rear roller adjustment bolts clockwise, 1/4 of a turn. When the walking belt is correctly tightened, you should be able to lift each side of the walking belt 3-4 inches off the walking platform. The centre of the walking belt should just touch the walking platform. Be careful to keep the walking belt centred. Plug in the power cord, insert the safety key and run the treadmill for a few minutes. Repeat until the walking belt is properly tightened.



## STORAGE

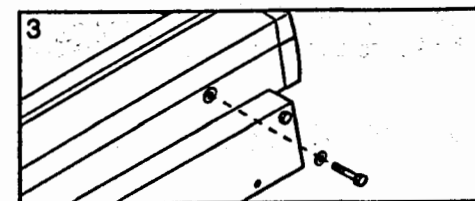
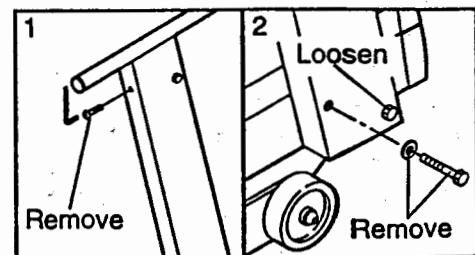
Unplug the power cord when the treadmill is not in use.

Using the 7/32" allen wrench, remove the bolt from the upper end of each upright (see drawing 1). Rotate the handrails down.

Remove one bolt and washer from the lower end of each upright (see drawing 2). Loosen the other bolt in the lower end of each upright. Carefully lower the uprights.

Hand tighten one of the bolts and washers removed in step 1, into each side of the treadmill frame.

It is recommended that the treadmill be covered during extended periods of storage.



# CONDITIONING GUIDELINES

The following guidelines will help you to plan your exercise program. Remember that proper nutrition and adequate rest are essential for successful results.

**⚠ WARNING:** Before beginning this or any exercise program, consult your physician. This is especially important for individuals over the age of 35 or individuals with pre-existing health problems.

## EXERCISE INTENSITY

To maximize the benefits of exercising, it is important to exercise with the proper intensity. The proper intensity level can be found by using your heart rate as a guide. For effective aerobic exercise, your heart rate should be maintained at a level between 70% and 85% of your maximum heart rate as you exercise. This is known as your training zone. You can find your training zone in the table below.

| AGE | UNCONDITIONED TRAINING ZONE (BEATS/MIN) | CONDITIONED TRAINING ZONE (BEATS/MIN) | AGE | UNCONDITIONED TRAINING ZONE (BEATS/MIN) | CONDITIONED TRAINING ZONE (BEATS/MIN) |
|-----|---|---------------------------------------|-----|---|---------------------------------------|
| 20  | 138-167                                 | 133-162                               | 55  | 127-155                                 | 122-149                               |
| 25  | 136-166                                 | 132-160                               | 60  | 126-153                                 | 121-147                               |
| 30  | 135-164                                 | 130-158                               | 65  | 125-151                                 | 119-145                               |
| 35  | 134-162                                 | 129-156                               | 70  | 123-150                                 | 118-144                               |
| 40  | 132-161                                 | 127-155                               | 75  | 122-147                                 | 117-142                               |
| 45  | 131-159                                 | 125-153                               | 80  | 120-146                                 | 115-140                               |
| 50  | 129-156                                 | 124-150                               | 85  | 118-144                                 | 114-139                               |

During the first few months of your exercise program, keep your heart rate near the low end of your training zone as you exercise. After a few months of regular exercise, your heart rate can be increased gradually until it is near the middle of your training zone as you exercise. You can measure your heart rate using the pulse mode of the console. Exercise for at least four minutes, and then measure your heart rate immediately. If your heart rate is too high, decrease the intensity of your exercise. If your heart rate is too low, increase the intensity of your exercise.

**⚠ WARNING:** The pulse earclip is not a medical device. Various factors, including your movement during exercise, may affect the accuracy of heart rate readings. The earclip is intended only as an exercise aid in determining heart rate trends in general.

## WORKOUT GUIDELINES

Each workout should consist of three basic parts: a warm-up, 20 to 30 minutes of training zone exercise, and a cool-down. Warming up prepares the body for exercise by increasing circulation, delivering more oxygen to the muscles and raising the body temperature. Begin each workout with 5 to 10 minutes of stretching and light exercise to warm up. Then, increase the intensity of your exercise to raise your heart rate to your training zone for 20 to 30 minutes. Breathe regularly and deeply as you exercise—never hold your breath. Finish each workout with 5 to 10 minutes of stretching to cool down. This will increase the flexibility of your muscles as well as help to decrease soreness and other post-exercise problems.

To maintain or improve your condition, complete three workouts each week, with at least one day of rest between workouts. After a few months of regular exercise, you may complete up to five workouts each week, if desired. The key to success is **CONSISTENCY**.

## SUGGESTED STRETCHES

The following stretches can provide a good warm-up or cool-down. Correct form for each stretch is shown in the drawings below. Move slowly as you stretch—never bounce.

### TOE TOUCH STRETCH

Stand with your knees bent slightly and slowly bend forward from your hips. Allow your back and shoulders to relax as you reach down toward your toes as far as possible. Hold for 15 counts, then relax. Repeat 3 times.

Stretches: Hamstrings, back of knees and back.

### HAMSTRING STRETCH

Sit with one leg extended. Bring the sole of the opposite foot toward you and rest it against the inner thigh of your extended leg. Reach toward your toes as far as possible. Hold for 15 counts, then relax. Repeat 3 times for both legs.

Stretches: Hamstrings, lower back and groin.

### CALF/ACHILLES STRETCH

With one leg in front of the other, reach forward and place your hands against a wall. Keep your back leg straight and your back foot flat on the floor. Bend your front leg, lean forward and move your hips toward the wall. Hold for 15 counts, then relax. Repeat 3 times for both legs. To cause further stretching of the achilles tendons, bend your back leg as well.

Stretches: Calves, achilles tendons and ankles.

### QUADRICEPS STRETCH

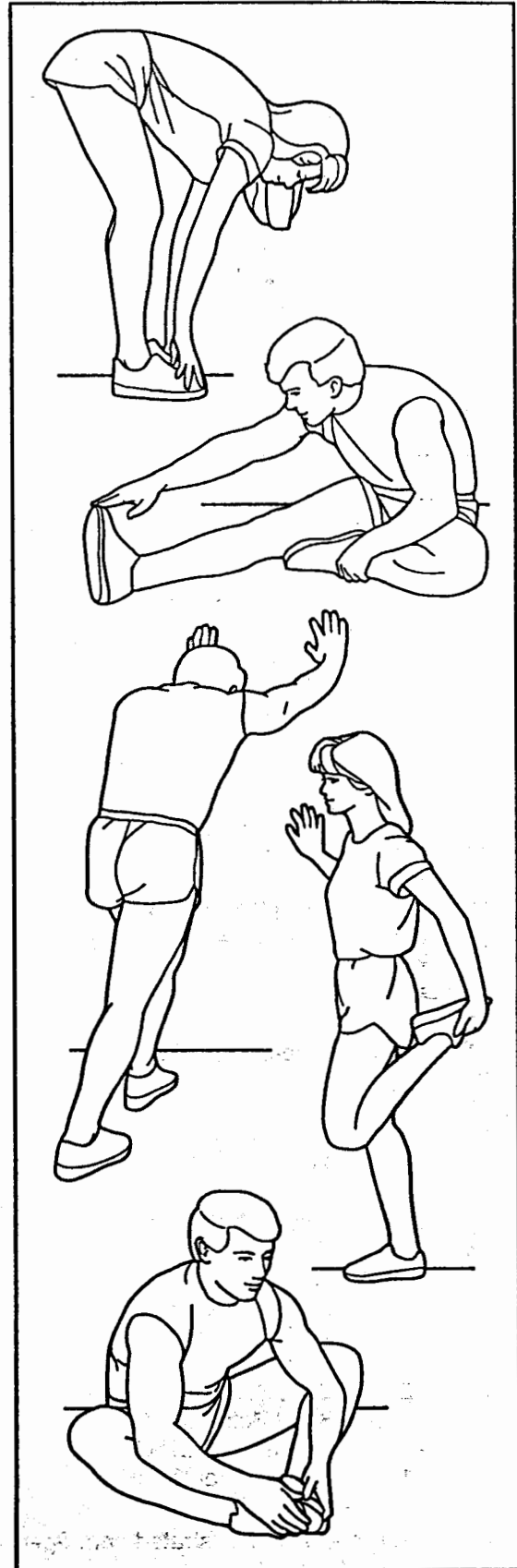
With one hand against a wall for balance, reach back and grasp one foot with your other hand. Bring your heel as close to your buttocks as possible. Hold for 15 counts, then relax. Repeat 3 times for both legs.

Stretches: Quadriceps and hip muscles.

### INNER THIGH STRETCH

Sit with the soles of your feet together and your knees outward. Pull your feet toward your groin area as far as possible. Hold for 15 counts, then relax. Repeat 3 times.

Stretches: Quadriceps and hip muscles.



# PART LIST—Model No. WETL10050

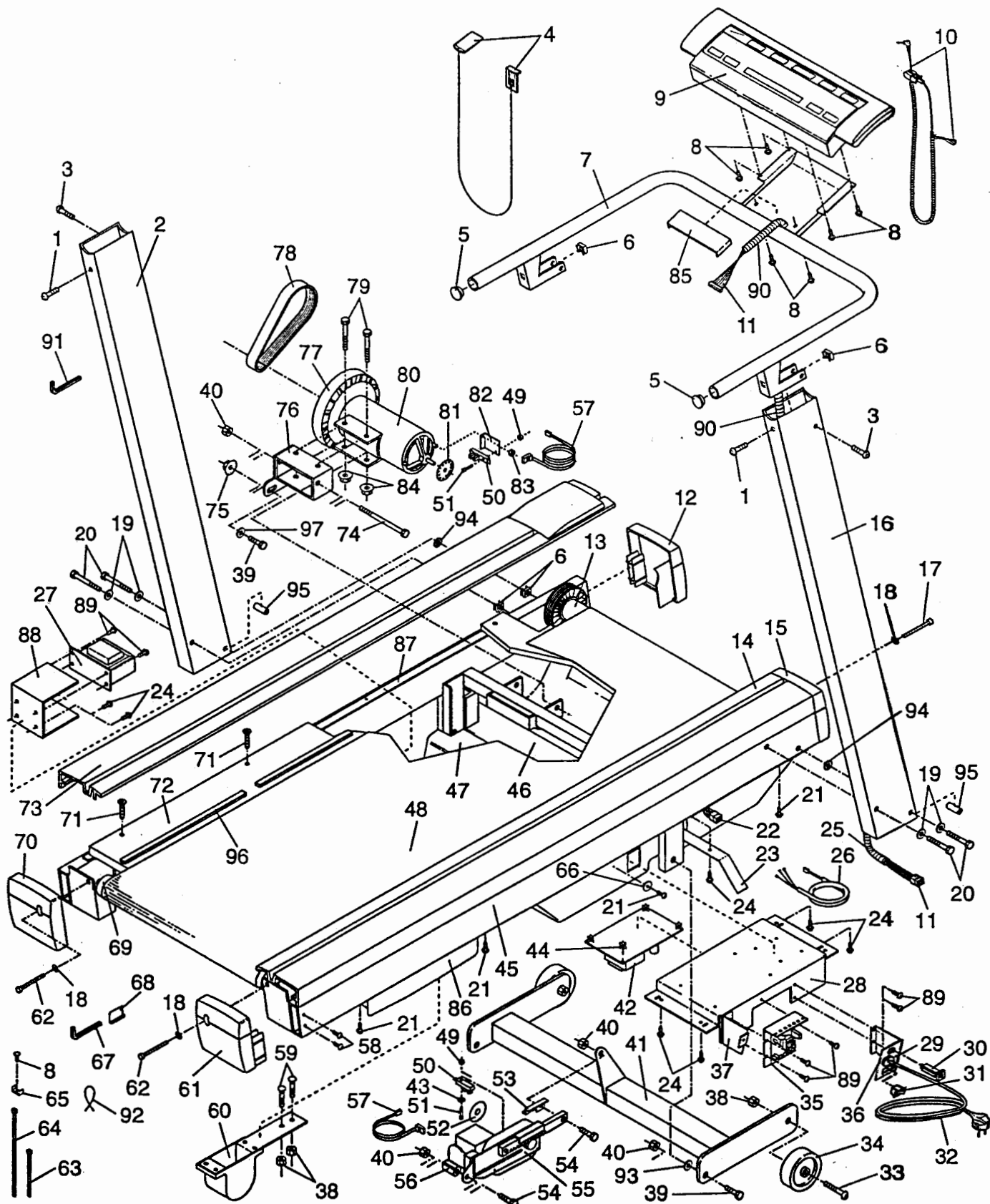
R0795A

| Key No. | Qty. | Description                         | Key No. | Qty. | Description                 |
|---------|------|-------------------------------------|---------|------|-----------------------------|
| 1       | 2    | Handrail Lock Bolt                  | 54      | 2    | Incline Motor Bolt          |
| 2       | 1    | Left Upright                        | 55      | 1    | Incline Motor               |
| 3       | 2    | 3/8" x 1" Bolt                      | 56      | 1    | Incline Motor Spacer        |
| 4       | 1    | Safety Key/Clip                     | 57      | 2    | Optic Switch Wire Harness   |
| 5       | 2    | Handrail Cap                        | 58      | 4    | Endcap Screw                |
| 6       | 6    | Cage Nut                            | 59      | 4    | Cushion Foot Bolt           |
| 7       | 1    | Handrail                            | 60      | 2    | Cushion Foot                |
| 8       | 7    | Console Screw                       | 61      | 1    | Right Rear Endcap           |
| 9       | 1    | Console                             | 62      | 2    | Rear Roller Adjustment Bolt |
| 10      | 1    | Pulse Earclip/Clothes Clip          | 63      | 1    | 4" Cable Tie                |
| 11      | 1    | Handrail Wire Harness               | 64      | 4    | 8" Cable Tie                |
| 12      | 1    | Front Left Endcap                   | 65      | 1    | Tie Block                   |
| 13      | 1    | Front Roller/Pulley                 | 66      | 2    | Cover Washer                |
| 14      | 1    | Right Foot Rail                     | 67      | 1    | 3/16" Allen Wrench          |
| 15      | 1    | Front Right Endcap                  | 68      | 1    | Wrench Clip                 |
| 16      | 1    | Right Upright                       | 69      | 1    | Rear Roller                 |
| 17      | 1    | Front Roller Adjustment Bolt        | 70      | 1    | Left Rear Endcap            |
| 18      | 3    | Roller Adjustment Washer            | 71      | 8    | Platform Screw              |
| 19      | 4    | Flat Washer                         | 72      | 1    | Walking Platform            |
| 20      | 4    | 3/8" x 3" Bolt                      | 73      | 1    | Left Foot Rail              |
| 21      | 19   | Safety Cover Screw                  | 74      | 1    | Motor Swivel Bolt           |
| 22      | 1    | 20" Wire Harness                    | 75      | 1    | Motor Tension Nut           |
| 23      | 1    | Belt Guide                          | 76      | 1    | Motor Mounting Bracket      |
| 24      | 9    | Screw                               | 77      | 1    | Pulley/Flywheel/Fan         |
| 25      | 2    | 12" Cable Loom                      | 78      | 1    | Motor Belt                  |
| 26      | 1    | 14" Power Board-Controller Wire     | 79      | 2    | Motor Bolt                  |
| 27      | 1    | Choke                               | 80      | 1    | Motor                       |
| 28      | 1    | Electronics Bracket                 | 81      | 1    | Speed Optic Disk            |
| 29      | 1    | Grommet                             | 82      | 1    | Optic Switch Bracket        |
| 30      | 1    | Circuit Breaker                     | 83      | 1    | Optic Switch Bracket Nut    |
| 31      | 1    | On/Off Switch                       | 84      | 2    | Motor Nut                   |
| 32      | 1    | Power Cord                          | 85      | 1    | Wire Cover                  |
| 33      | 2    | Front Wheel Bolt                    | 86      | 2    | Cushion Foot Cover          |
| 34      | 2    | Front Wheel                         | 87      | 2    | Deck Shim                   |
| 35      | 1    | Controller                          | 88      | 1    | Choke Bracket               |
| 36      | 1    | Power Cord Bracket                  | 89      | 7    | Small Hex Screw             |
| 37      | 1    | Safety Cover Bracket                | 90      | 2    | 6" Cable Loom               |
| 38      | 6    | Wheel Nut/Cushion Foot Nut          | 91      | 1    | 7/32" Allen Wrench          |
| 39      | 3    | Incline Leg Bolt/Motor Tension Bolt | 92      | 1    | Cable Tie                   |
| 40      | 5    | Incline Leg Nut/Motor Tension Nut   | 93      | 2    | Incline Leg Washer          |
| 41      | 1    | Incline Leg                         | 94      | 4    | Upright Bushing             |
| 42      | 1    | Power Board                         | 95      | 2    | Upright Spacer              |
| 43      | 1    | Switch Star Washer                  | 96      | 6    | Foot Rail Shim              |
| 44      | 4    | Plastic Stand-Off                   | 97      | 1    | Motor Tension Washer        |
| 45      | 1    | Frame                               | #       | 1    | 8" White Wire, 2 Female     |
| 46      | 1    | Front Safety Cover                  | #       | 1    | 9" Black Wire, Male/Female  |
| 47      | 1    | Back Safety Cover                   | #       | 1    | 8" Black Wire, 2 Female     |
| 48      | 1    | Walking Belt                        | #       | 1    | 4" Black Wire, 2 Female     |
| 49      | 2    | Small Nut                           | #       | 1    | 8" Green Ground Wire        |
| 50      | 2    | Optic Switch                        | #       | 1    | 8" Red Wire, Male/Female    |
| 51      | 2    | Small Bolt                          | #       | 1    | 8" Blue Wire, Male/Female   |
| 52      | 1    | Incline Optic Disk                  | #       | 1    | 8" Blue Wire, 2 Female      |
| 53      | 1    | Incline Motor Bracket               | #       | 1    | User's Manual               |

Note: "#" indicates a non-illustrated part. Specifications are subject to change without notice. See the back cover for information about ordering replacement parts.

# EXPLODED DRAWING—Model No. WETL10050

R0795A



---

# ORDERING REPLACEMENT PARTS

To order replacement parts, write or call:

Consumer Products Distribution  
M40 Distribution Park  
Loxley Road  
Wellesbourne  
Warwick  
CV35 9JY

Tel: 0800-220532

Fax: Country Code: (44) 0789-470798

1. The MODEL NUMBER of the product (WETL10050).
2. The NAME of the product (PROFORM 520 treadmill).
3. The SERIAL NUMBER of the product (see the front cover of this manual).
4. The KEY NUMBER of the part(s) from page 14 of this manual.
5. The DESCRIPTION of the part(s) from page 14 of this manual.

If possible, place the treadmill near your telephone for easy reference when calling.