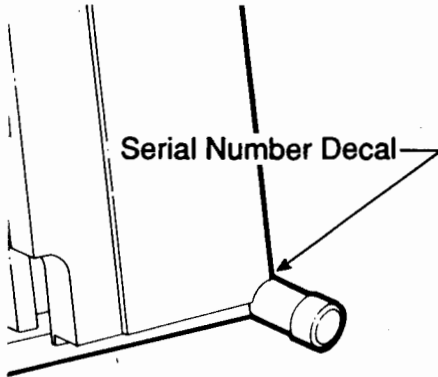


WESLO®

Model No. WL200520

Serial No. _____



ASCENT™ 2005

MOTIVATIONAL CLUB STEPPER

INDEPENDENT STEPPING ACTION • SELF LEVELING PEDALS • MADE IN U.S.A.

QUESTIONS?

As a manufacturer, we are committed to providing you complete customer satisfaction. If you have questions or find there are missing or damaged parts, we will guarantee you complete satisfaction through direct assistance from our factory.

TO AVOID UNNECESSARY DELAYS, PLEASE CALL DIRECT TO OUR TOLL-FREE CUSTOMER HOT LINE.

The trained technicians on our Customer Hot Line will provide immediate assistance, free of charge to you.

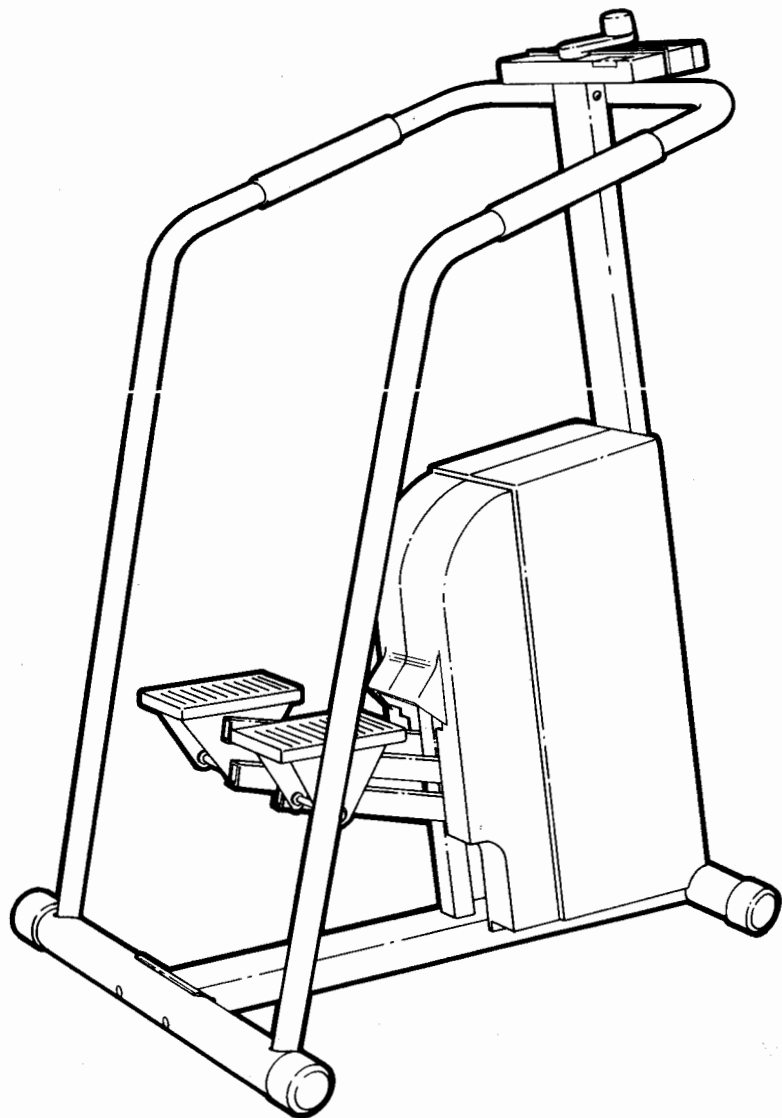
CUSTOMER HOT LINE:

1-800-999-3756

Mon.-Fri., 6 a.m.-6 p.m. MST

CAUTION:

Read all safety precautions and instructions in this manual carefully before using this equipment. Save this manual for future reference.



OWNER'S MANUAL

TABLE OF CONTENTS

IMPORTANT SAFETY PRECAUTIONS	2
BEFORE YOU BEGIN	3
ASSEMBLY	4
STEPPER OPERATION	5
CONSOLE OPERATION	6
TROUBLE-SHOOTING AND MAINTENANCE ...	7
CONDITIONING GUIDELINES	8
PART LIST	10
EXPLODED DRAWING	11
ORDERING REPLACEMENT PARTS	Back Cover
LIMITED WARRANTY	Back Cover

IMPORTANT SAFETY PRECAUTIONS

WARNING: To reduce the risk of serious injury, read the following important safety precautions before using the stepper.

1. Position the stepper on a level surface. Do not use the stepper outdoors or near water.
2. Wear suitable exercise clothing, including athletic shoes, when using the stepper.
3. Always hold the handrails when using the stepper. Keep your hands away from the pedals, springs and link arms. Keep small children away from the stepper at all times.
4. Never set the stepping resistance so high that you must pull against the handrails with your arms in order to press the pedals down. Exercising in this manner could result in heart risk.
5. Use the stepper only as described in this manual. Servicing other than the procedures described in this manual should be performed only by an authorized service representative.

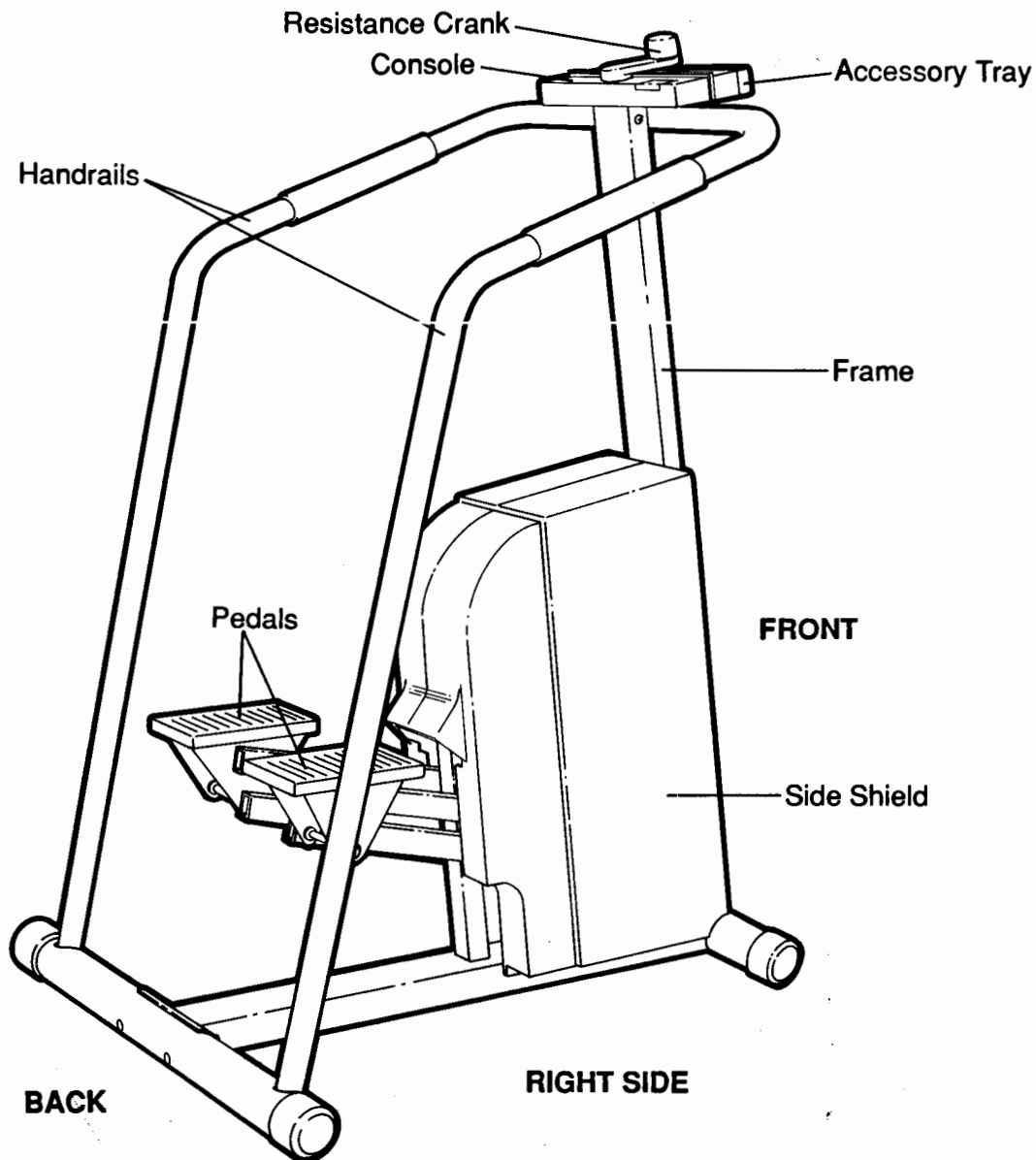
WARNING: Before beginning this or any exercise program, consult your physician. This is especially important for persons over the age of 35 or persons with pre-existing health problems. Read all instructions before using. WESLO assumes no responsibility for personal injury or property damage sustained by or through the use of this product.

BEFORE YOU BEGIN

Thank you for selecting the WESLO® ASCENT 2005 stepper. Stepping is one of the most effective exercises known for increasing cardiovascular fitness, building endurance and toning the entire body. The ASCENT 2005 combines advanced engineering with innovative styling to let you enjoy this dynamic exercise in the convenience and privacy of your home.

For your safety and benefit, read this manual carefully before using the stepper. If you have additional questions, please call our Customer Service Department toll-free at 1-800-999-3756, Monday through Friday, 6 a.m. until 6 p.m. Mountain Time (excluding holidays). To help us assist you, please note the product model number and serial number before calling. The model number can be found on the front cover of this manual. The serial number can be found on a decal attached to the stepper (see the drawing on the front cover of this manual).

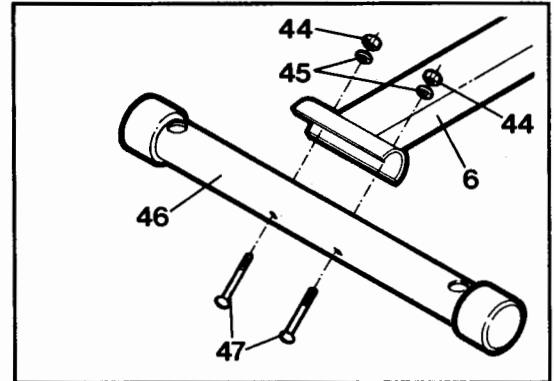
Before reading further, please familiarize yourself with the drawing below.



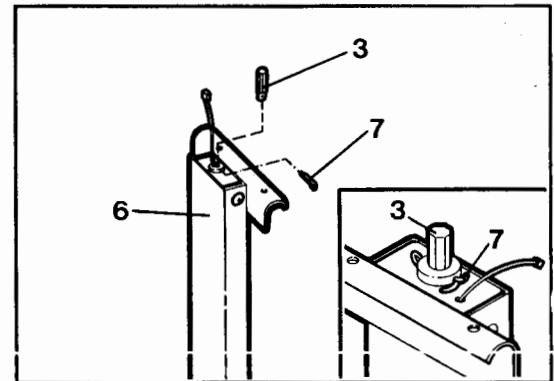
ASSEMBLY

Remove all parts from the packing carton. **Make sure that all parts are included before disposing of the packing materials.** Read all steps carefully before beginning. Assembly can be completed using the tool included and your own adjustable wrench and pliers (not included).

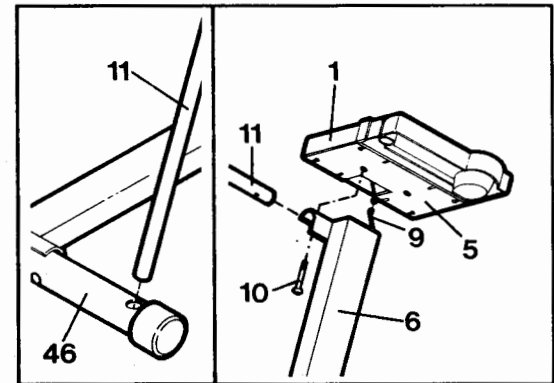
1. Turn the Stabilizer (46) so that the indented bolt holes are toward the Frame (6). Attach the Stabilizer to the Frame with the two Stabilizer Bolts (47), Washers (45) and Nuts (44).



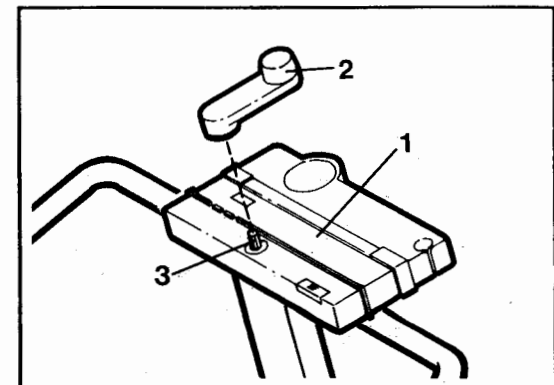
2. Press the Hex Pin (3) into the tube at the top of the Frame (6). Make sure that the hole in the Hex Pin is aligned with the hole in the tube. Insert the Cotter Pin (7) through the Hex Pin and tube. Grip the ends of the Cotter Pin with pliers, and bend the ends in opposite directions, as shown in the inset.



3. Insert the lower end of the Right Handrail (11) into the Stabilizer (46). Position the upper end of the Handrail in the bracket on the Frame (6). Insert a Handrail Bolt (10) up through the Handrail and bracket; keep pressure on the Handrail to prevent the Bolt from slipping out. Plug the wire protruding from the Console (1) into the Sensor Wire (9) and tuck the Wire into the Frame. Place the Console on top of the Frame. Thread the Handrail Bolt into the Console Plate (5), without tightening the Bolt. Attach the Left Handrail (not shown) in the same manner. Tighten both Handrail Bolts.



4. Press the Resistance Crank (2) onto the Hex Pin (3) protruding from the Console (1).



SUGGESTED STRETCHES

The following stretches can provide a good warm-up or cool-down. Correct form for each stretch is shown in the drawings below. Move slowly as you stretch—never bounce.

TOE TOUCH STRETCH

Stand with your knees bent slightly and slowly bend forward from your hips. Allow your back and shoulders to relax as you reach down toward your toes as far as possible. Hold for 15 counts, then relax. Repeat 3 times.

Stretches: Hamstrings, back of knees and back.

HAMSTRING STRETCH

Sit with one leg extended. Bring the sole of the opposite foot toward you and rest it against the inner thigh of your extended leg. Reach toward your toes as far as possible. Hold for 15 counts, then relax. Repeat 3 times for both legs.

Stretches: Hamstrings, lower back and groin.

CALF/ACHILLES STRETCH

With one leg in front of the other, reach forward and place your hands against a wall. Keep your back leg straight and your back foot flat on the floor. Bend your front leg, lean forward and move your hips toward the wall. Hold for 15 counts, then relax. Repeat 3 times for both legs. To cause further stretching of the achilles tendons, bend your back leg as well.

Stretches: Calves, achilles tendons and ankles.

QUADRICEPS STRETCH

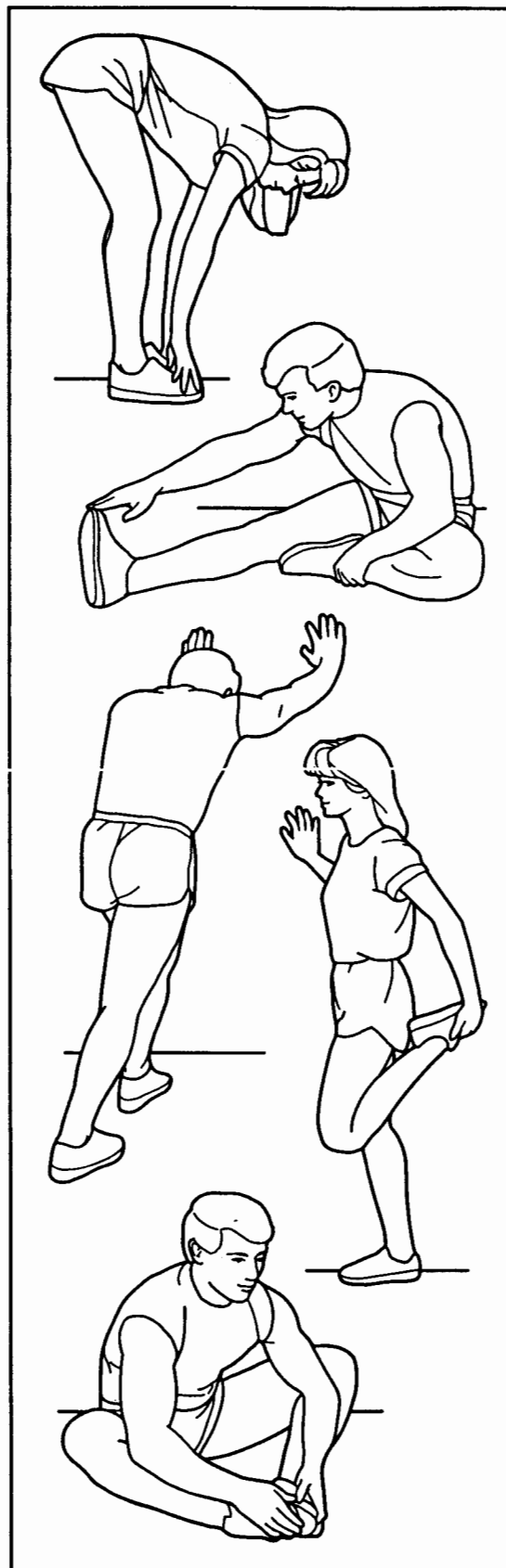
With one hand against a wall for balance, reach back and grasp one foot with your other hand. Bring your heel as close to your buttocks as possible. Hold for 15 counts, then relax. Repeat 3 times for both legs.

Stretches: Quadriceps and hip muscles.

INNER THIGH STRETCH

Sit with the soles of your feet together and your knees outward. Pull your feet toward your groin area as far as possible. Hold for 15 counts, then relax. Repeat 3 times.

Stretches: Quadriceps and hip muscles.



PART LIST—Model No. WL200520

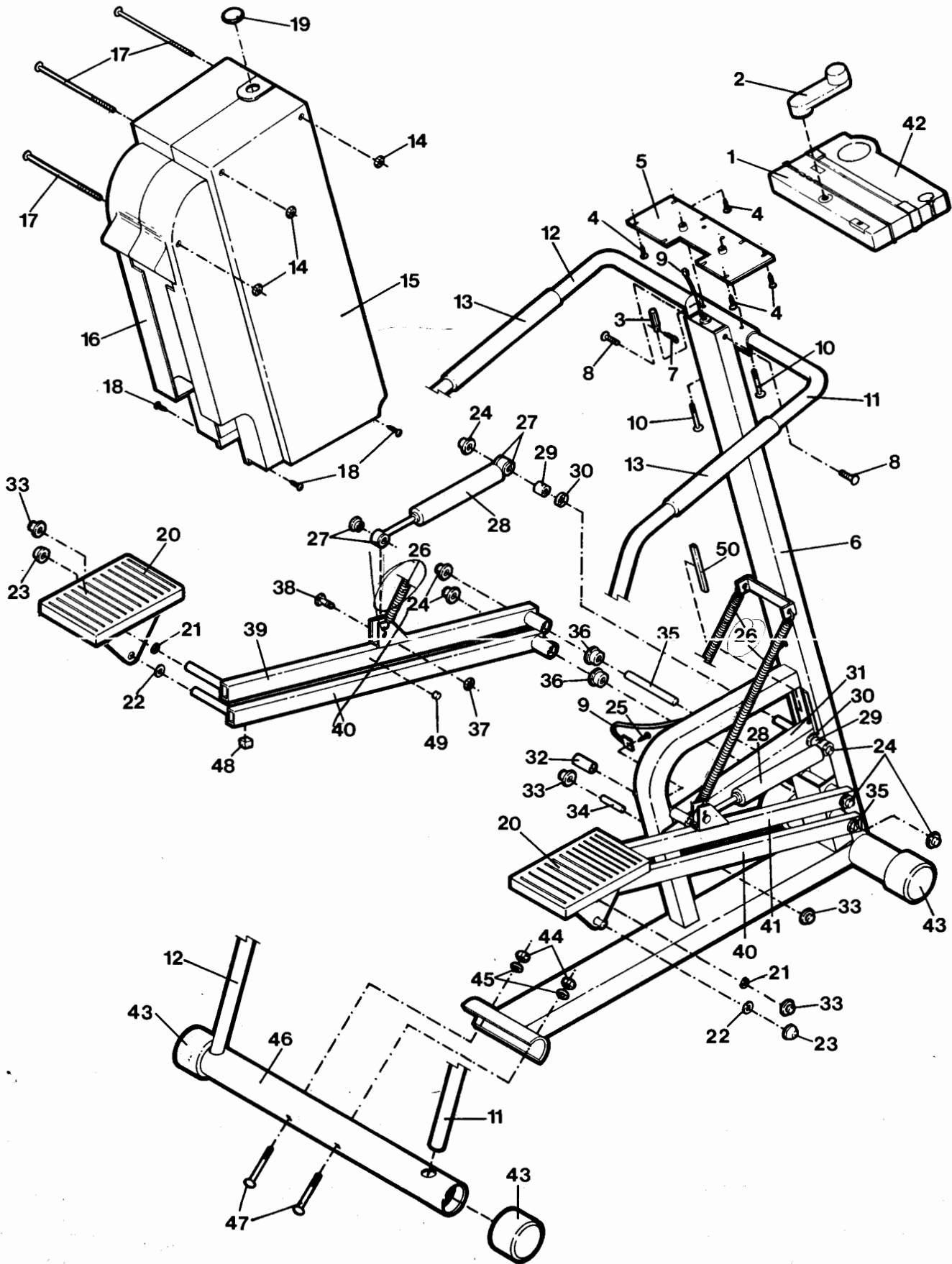
Rev. 8/92

Key No.	Qty.	Description	Key No.	Qty.	Description
1	1	Console	27	8	Resistance Cylinder Bushing
2	1	Resistance Crank	28	2	Resistance Cylinder
3	1	Hex Pin	29	2	Cylinder Spacer
4	4	Screw	30	2	Thin Spacer
5	1	Console Plate	31	1	Resistance Arm
6	1	Frame	32	2	Bumper
7	1	Cotter Pin	33	4	Small Pushcap
8	2	Small Bolt	34	1	Resistance Arm Pin
9	1	Reed Switch/Sensor Wire	35	2	Pedal Arm Axle
10	2	Handrail Bolt	36	4	Pedal Arm Bushing
11	1	Right Handrail	37	2	Pedal Arm Nut
12	1	Left Handrail	38	2	Pedal Arm Bolt
13	2	Handrail Foam	39	1	Left Upper Pedal Arm
14	3	Side Shield Nut	40	2	Lower Pedal Arm
15	1	Right Side Shield	41	1	Right Upper Pedal Arm
16	1	Left Side Shield	42	1	Accessory Tray
17	3	Side Shield Bolt	43	4	Stabilizer Endcap
18	4	Mounting Screw	44	2	Stabilizer Nut
19	1	Side Shield Plug	45	2	Stabilizer Washer
20	2	Pedal	46	1	Stabilizer
21	4	Pedal Washer	47	2	Stabilizer Bolt
22	4	Large Pedal Washer	48	2	Pedal Arm Bumper
23	2	Pedal Pushnut	49	1	Magnet
24	6	Pedal Pushcap	50	2	Plastic Slide
25	1	Reed Switch Screw	#	1	Allen Wrench
26	2	Spring	#	1	Owner's Manual

Note: "#" indicates a non-illustrated part. Specifications are subject to change without notice. See the back cover of this manual for information about ordering replacement parts.

EXPLODED DRAWING—Model No. WL200520

Rev. 8/92



ORDERING REPLACEMENT PARTS

Replacement parts can be ordered conveniently by calling our Customer Service Department toll-free at 1-800-999-3756, Monday through Friday, 6 a.m. until 6 p.m. Mountain Time (excluding holidays). To help us assist you, please note the following information before calling:

1. The MODEL NUMBER of the product (WL200520).
2. The NAME of the product (WESLO® ASCENT 2005).
3. The SERIAL NUMBER of the product (see the front cover of this manual).
4. The KEY NUMBER and DESCRIPTION of the part(s) (see page 10 of this manual).

If possible, place the stepper near your telephone for reference when calling.

LIMITED WARRANTY

Weslo, Inc. ("WESLO"), warrants this product to be free from defects in workmanship and material, under normal use and service conditions, for a period of ninety (90) days from the date of purchase. This warranty extends only to the original purchaser. WESLO's obligation under this warranty is limited to replacing or repairing, at WESLO's option, the product at one of its authorized service centers. All products for which warranty claim is made must be received by WESLO at one of its authorized service centers with all freight and other transportation charges prepaid, accompanied by sufficient proof of purchase. All returns must be pre-authorized by WESLO. This warranty does not extend to any product or damage to a product caused by or attributable to freight damage, abuse, misuse, improper or abnormal usage or repairs not provided by a WESLO authorized service center or for products used for commercial or rental purposes. No other warranty beyond that specifically set forth above is authorized by WESLO.

WESLO IS NOT RESPONSIBLE OR LIABLE FOR INDIRECT, SPECIAL OR CONSEQUENTIAL DAMAGES ARISING OUT OF OR IN CONNECTION WITH THE USE OR PERFORMANCE OF THE PRODUCT OR OTHER DAMAGES WITH RESPECT TO ANY ECONOMIC LOSS, LOSS OF PROPERTY, LOSS OF REVENUES OR PROFITS, LOSS OF ENJOYMENT OR USE, COSTS OF REMOVAL, INSTALLATION OR OTHER CONSEQUENTIAL DAMAGES OF WHATSOEVER NATURE. SOME STATES DO NOT ALLOW THE EXCLUSION OR LIMITATION OF INCIDENTAL OR CONSEQUENTIAL DAMAGES. ACCORDINGLY, THE ABOVE LIMITATION MAY NOT APPLY TO YOU.

THE WARRANTY EXTENDED HEREUNDER IS IN LIEU OF ANY AND ALL OTHER WARRANTIES AND ANY IMPLIED WARRANTIES OF MERCHANTABILITY OR FITNESS FOR A PARTICULAR PURPOSE IS LIMITED IN ITS SCOPE AND DURATION TO THE TERMS SET FORTH HEREIN. SOME STATES DO NOT ALLOW LIMITATIONS ON HOW LONG AN IMPLIED WARRANTY LASTS. ACCORDINGLY, THE ABOVE LIMITATION MAY NOT APPLY TO YOU.

This warranty gives you specific legal rights. You may also have other rights which vary from state to state.

WESLO INC., 1500 S. 1000 W., LOGAN, UT 84321-9813