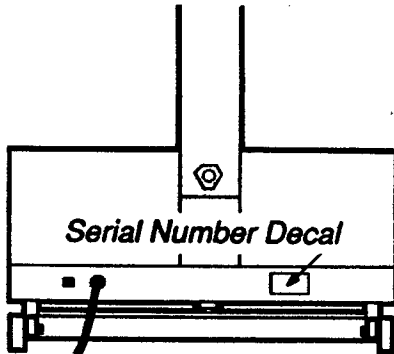


**weslo, inc.**<sup>®</sup>  
A Subsidiary of Weider Health and Fitness, Inc.

Model No. WL485010  
Serial No. \_\_\_\_\_



## QUESTIONS?

*As a manufacturer, we are committed to providing you complete customer satisfaction. If you have questions, or find there are missing or damaged parts, we will guarantee you complete satisfaction through direct assistance from our factory. TO AVOID UNNECESSARY DELAYS, PLEASE CALL DIRECT TO OUR TOLL-FREE CUSTOMER HOT LINE. The trained technicians on our Customer Hot Line will provide immediate assistance, free of charge to you.*

**CUSTOMER HOT LINE:**  
**1-800-999-3756**  
Mon.-Fri., 6 a.m.-6 p.m. MST

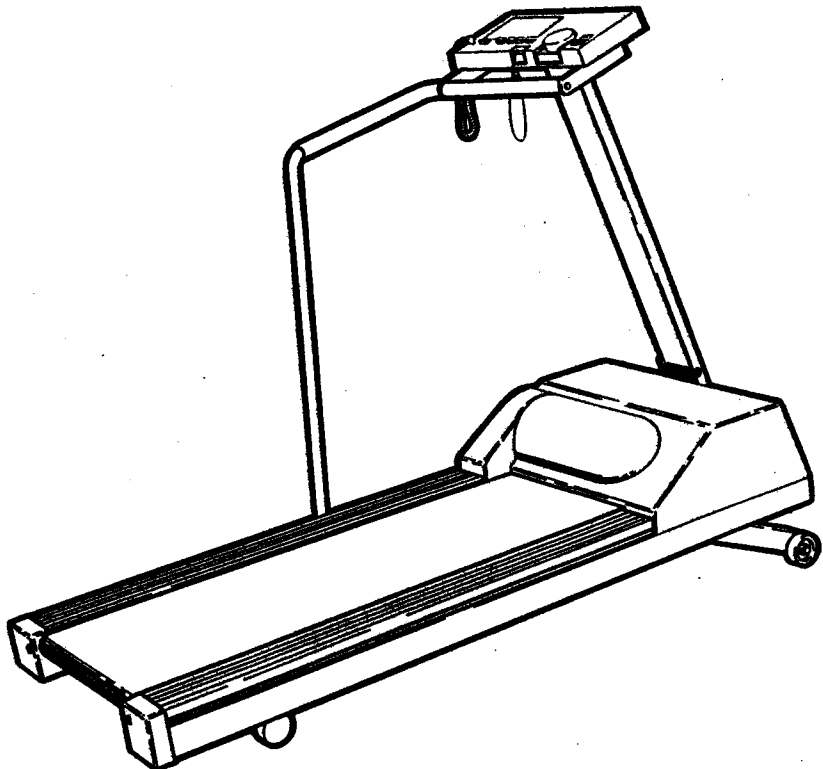
## CAUTION:

*Read all safety precautions and instructions in this manual carefully before using this equipment. Save this manual for future reference.*

# EPIC FITNESS

MADE IN U.S.A.

PROGRAMMABLE SPEED • 0 - 8.0 MPH  
POWER INCLINE • WIDE FRAME • CUSHION DECK



## OWNER'S MANUAL

## LIMITED WARRANTY

WESLO, Inc. ("WESLO"), warrants this product to be free from defects in workmanship and material, under normal use and service conditions, for a period of ninety (90) days from the date of purchase. This warranty extends only to the original purchaser. WESLO's obligation under this warranty is limited to replacing or repairing, at WESLO's option, the product at one of its authorized service centers. All products for which warranty claim is made must be received by WESLO at one of its authorized service centers with all freight and other transportation charges prepaid, accompanied by sufficient proof of purchase. All returns must be pre-authorized by WESLO. This warranty does not extend to any product or damage to a product caused by or attributable to freight damage, abuse, misuse, improper or abnormal usage or repairs not provided by an WESLO authorized service center or for products used for commercial or rental purposes. No other warranty beyond that specifically set forth above is authorized by WESLO.

WESLO IS NOT RESPONSIBLE OR LIABLE FOR INDIRECT, SPECIAL OR CONSEQUENTIAL DAMAGES ARISING OUT OF OR IN CONNECTION WITH THE USE OR PERFORMANCE OF THE PRODUCT OR OTHER DAMAGES WITH RESPECT TO ANY ECONOMIC LOSS, LOSS OF PROPERTY, LOSS OF REVENUES OR PROFITS, LOSS OF ENJOYMENT OR USE, COSTS OF REMOVAL, INSTALLATION OR OTHER CONSEQUENTIAL DAMAGES OF WHATSOEVER NATURE. SOME STATES DO NOT ALLOW THE EXCLUSION OR LIMITATION OF INCIDENTAL OR CONSEQUENTIAL DAMAGES. ACCORDINGLY, THE ABOVE LIMITATION MAY NOT APPLY TO YOU.

THE WARRANTY EXTENDED HEREUNDER IS IN LIEU OF ANY AND ALL OTHER WARRANTIES AND ANY IMPLIED WARRANTIES OF MERCHANTABILITY OR FITNESS FOR A PARTICULAR PURPOSE IS LIMITED IN ITS SCOPE AND DURATION TO THE TERMS SET FORTH HEREIN. SOME STATES DO NOT ALLOW LIMITATIONS ON HOW LONG AN IMPLIED WARRANTY LASTS. ACCORDINGLY, THE ABOVE LIMITATION MAY NOT APPLY TO YOU.

This warranty gives you specific legal rights. You may also have other rights which vary from state to state.

WESLO INC., 1500 S. 1000 W., Logan, UT 84321-9813

# EPIC FITNESS

MADE IN U.S.A.

PROGRAMMABLE SPEED • 0 - 8.0 MPH  
POWER INCLINE • WIDE FRAME • CUSHION DECK

---

## TABLE OF CONTENTS

Limited Warranty .....	2
Important Safety Precautions .....	4
Before You Begin .....	5
Assembly .....	6
Operation and Adjustment .....	7
Maintenance and Trouble-Shooting .....	10
Conditioning Guidelines .....	13
Part List .....	14
Exploded Drawing .....	15
Ordering Replacement Parts .....	Back Cover

**WARNING:** Before beginning this or any exercise program, consult your physician. This is especially important for individuals over the age of 35 or persons with pre-existing health problems. Read all instructions before using. Weslo assumes no responsibility for personal injury or property damage sustained by or through the use of this product.

---

# IMPORTANT SAFETY PRECAUTIONS

**WARNING:** To reduce the risk of burns, fire, electric shock or injury to persons, read the following important safety precautions and information before operating the treadmill.

1. Position the treadmill on a level surface, with at least 8 feet of clearance behind the treadmill. Do not place the treadmill on thick carpet, near water or outdoors. Do not operate where aerosol products are used or where oxygen is being administered.
2. Plug the power cord directly into a grounded circuit carrying 12 or more amps. No other appliance should be on the same circuit. (See the OPERATION AND ADJUSTMENT section of this manual for proper grounding instructions.) Keep the power cord away from heated surfaces. If an extension cord is required, use only a 14-gauge, general-purpose cord of six to ten feet in length with a three-wire conductor.
3. Never move the walking belt while the power is turned off. Do not operate the treadmill if the power cord or plug are damaged, or if the treadmill is not working properly. (Refer to the BEFORE YOU BEGIN section of this manual if the treadmill is not working properly.)
4. Wear appropriate exercise attire when using the treadmill. Do not wear loose clothing that could become caught in the treadmill. *Always wear running or aerobic shoes. Never use the treadmill with bare feet, wearing only stockings, or in sandals.* Athletic support clothes are recommended for both men and women.
5. Never start the treadmill while you are standing on the walking belt. Always hold the handrail when exercising on the treadmill.
6. Never allow more than one person on the treadmill at a time. Use the treadmill only as described in this manual.
7. Keep small children away from the treadmill during operation. Never leave the treadmill unattended while it is running. Always turn the power off when the treadmill is not in use.
8. Never drop or insert any object into any opening.
9. Always unplug the power cord before performing the maintenance and adjustment procedures described in this manual. Never remove the motor hood unless instructed to do so by an authorized service representative. Servicing other than the procedures described in this manual should be performed by an authorized service representative only.
10. This treadmill is capable of high speeds. Adjust the speed slowly to avoid sudden jumps in speed.

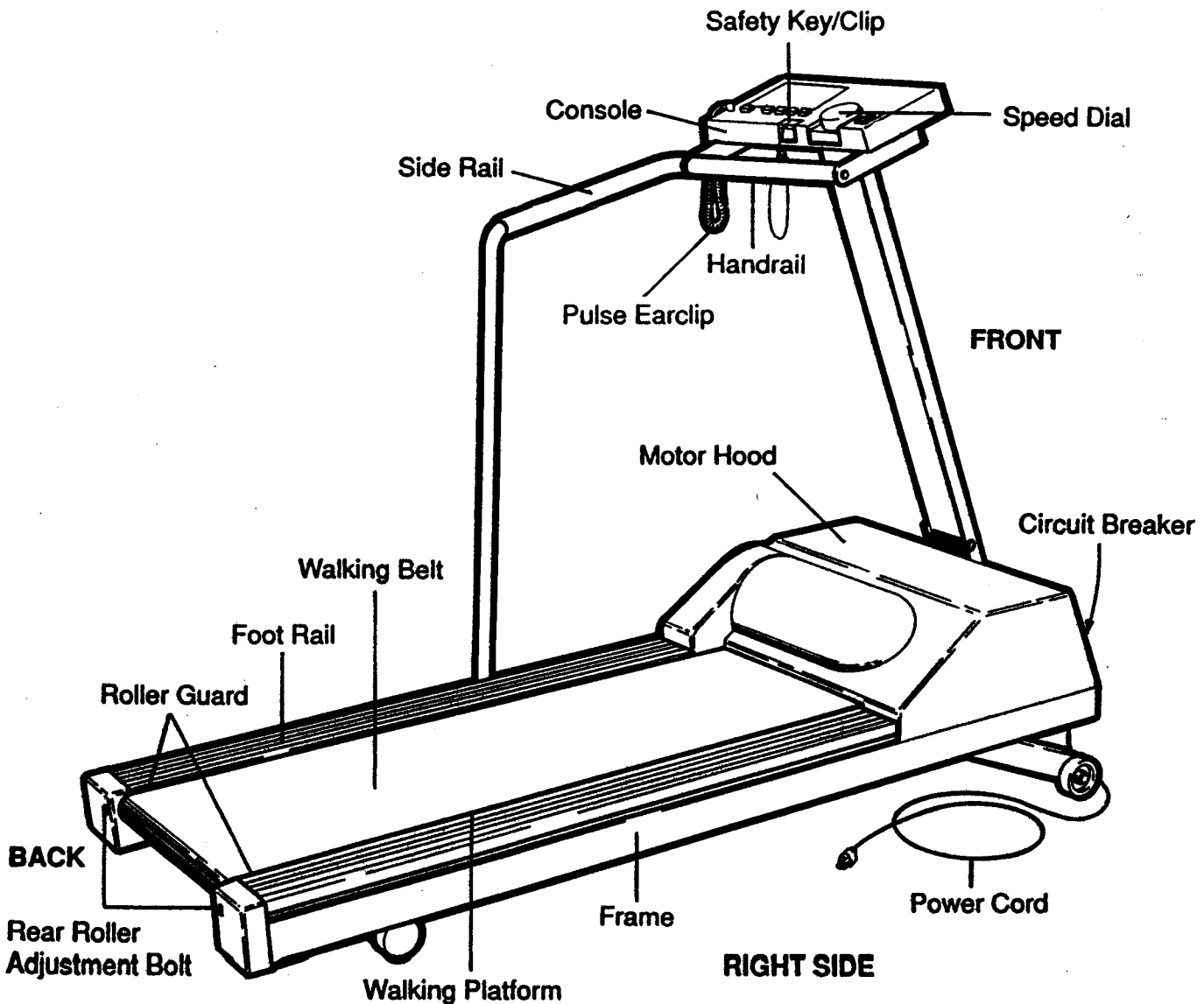
**SAVE THESE INSTRUCTIONS**

# BEFORE YOU BEGIN

Thank you for selecting the Weslo Epic treadmill. The Epic combines state-of-the-art technology with innovative design to let you enjoy an excellent form of cardiovascular exercise at your convenience, in the privacy of your home. Your exercise on the Epic will be enhanced by such features as a key-activated power switch, electronic speed and incline control, and a programmable console.

**For your safety and benefit, read this manual carefully before using this equipment.** If you have additional questions, please call our Customer Service Department toll-free at 1-800-999-3756, Monday through Friday, 6 a.m. until 6 p.m. Mountain Time (excluding holidays). To help us assist you quickly, please mention your product model number and serial number when calling. The model number is printed on the front cover of this manual. The serial number is recorded on a decal attached to the product (see the drawing on the front cover for the location).

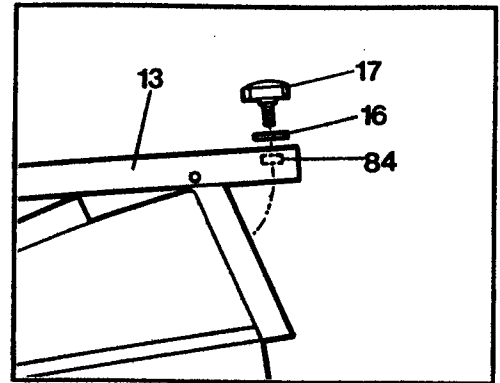
Before reading further, please review the drawing below and familiarize yourself with the parts labeled.



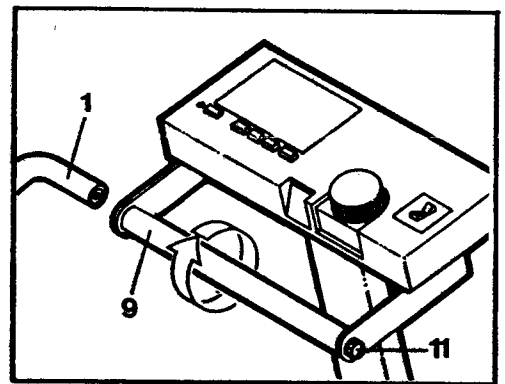
# ASSEMBLY

Set the treadmill in a cleared area and remove all packing materials. **Be sure that all parts are included before disposing of the packing materials.** Refer to the Part List and Exploded Drawing on pages 14 and 15 for help with part identification, if necessary.

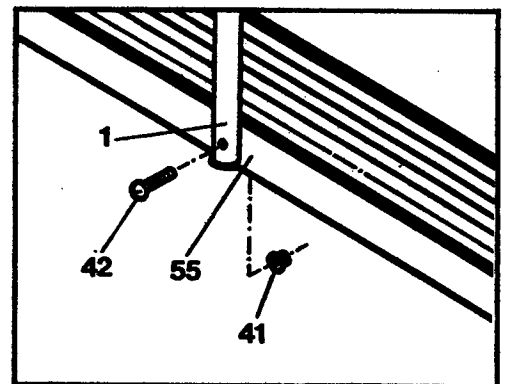
1. Insert the Lock Knob (17), with the Lock Knob Washer (16) into the Upright Post (13). Place the Upright Spacer (84) on the end of the Lock Knob. Hold the Spacer in place and raise the Upright Post to a vertical position, **being careful not to pinch your fingers.** Turn the Knob clockwise until it is almost tight. Leave a little play in the Upright Post for the following steps.



2. Align the upper end of the Side Rail (1) with the left end of the Handrail (9). Turn the Handrail in the direction shown to thread the Handrail into the Side Rail. (Note: If the Handrail will not turn easily, loosen the Handrail Bolt [11] slightly.) Tighten the Handrail and the Handrail Bolt.



3. Align the lower end of the Side Rail (1) with the hole in the side of the treadmill Frame (55). Insert the Side Rail Bolt (42) through the Side Rail and Frame. Reach under the Frame and thread the Side Rail Nut (41) onto the end of the Bolt. Tighten the Lock Knob (see step 1).



**Make sure that all parts are tightened securely before using the treadmill.**

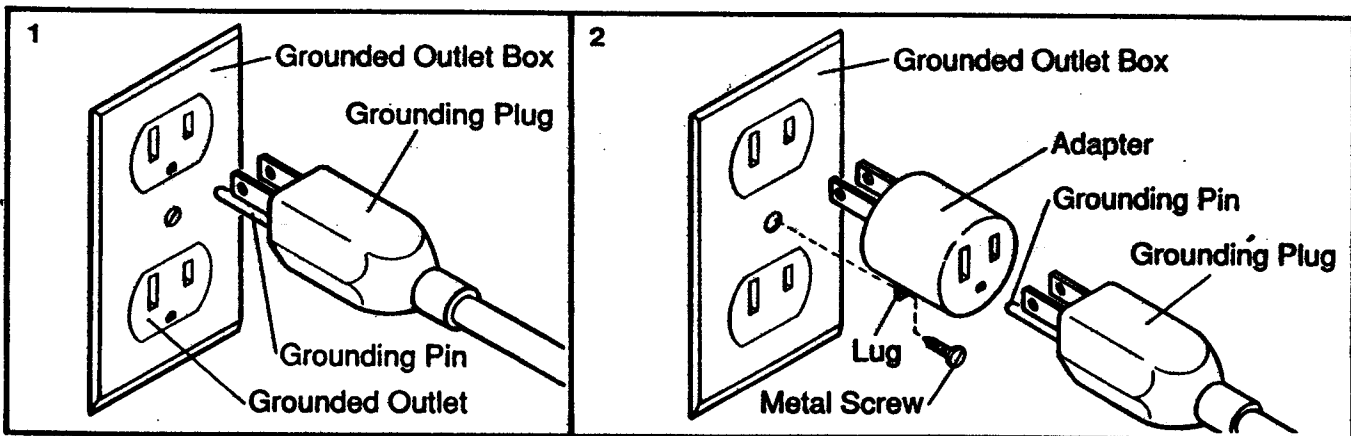
# OPERATION AND ADJUSTMENT

## GROUNDING INSTRUCTIONS

**This product must be grounded.** If it should malfunction or break down, grounding provides a path of least resistance for electric current to reduce the risk of electric shock. This product is equipped with a cord having an equipment-grounding conductor and a grounding plug. **The plug must be plugged into an appropriate outlet that is properly installed and grounded in accordance with all local codes and ordinances.**

**DANGER:** Improper connection of the equipment-grounding conductor can result in a risk of electric shock. Check with a qualified electrician or serviceman if you are in doubt as to whether the product is properly grounded. Do not modify the plug provided with the product - if it will not fit the outlet, have a proper outlet installed by a qualified electrician.

This product is for use on a nominal 120-volt circuit, and has a grounding plug that looks like the plug illustrated in Drawing 1. A temporary adapter that looks like the adapter illustrated in Drawing 2 may be used to connect this plug to a 2-pole receptacle as shown in Drawing 2 if a properly grounded outlet is not available. The temporary adapter should be used only until a properly grounded outlet (Drawing 1) can be installed by a qualified electrician. The green colored rigid ear, lug, or the like extending from the adapter **must be connected to a permanent ground such as a properly grounded outlet box cover.** Whenever the adapter is used it **must be held in place by a metal screw.** **Some 2-pole receptacle outlet box covers are not grounded.** Contact a qualified electrician to determine if the outlet box cover is grounded before using an adapter.

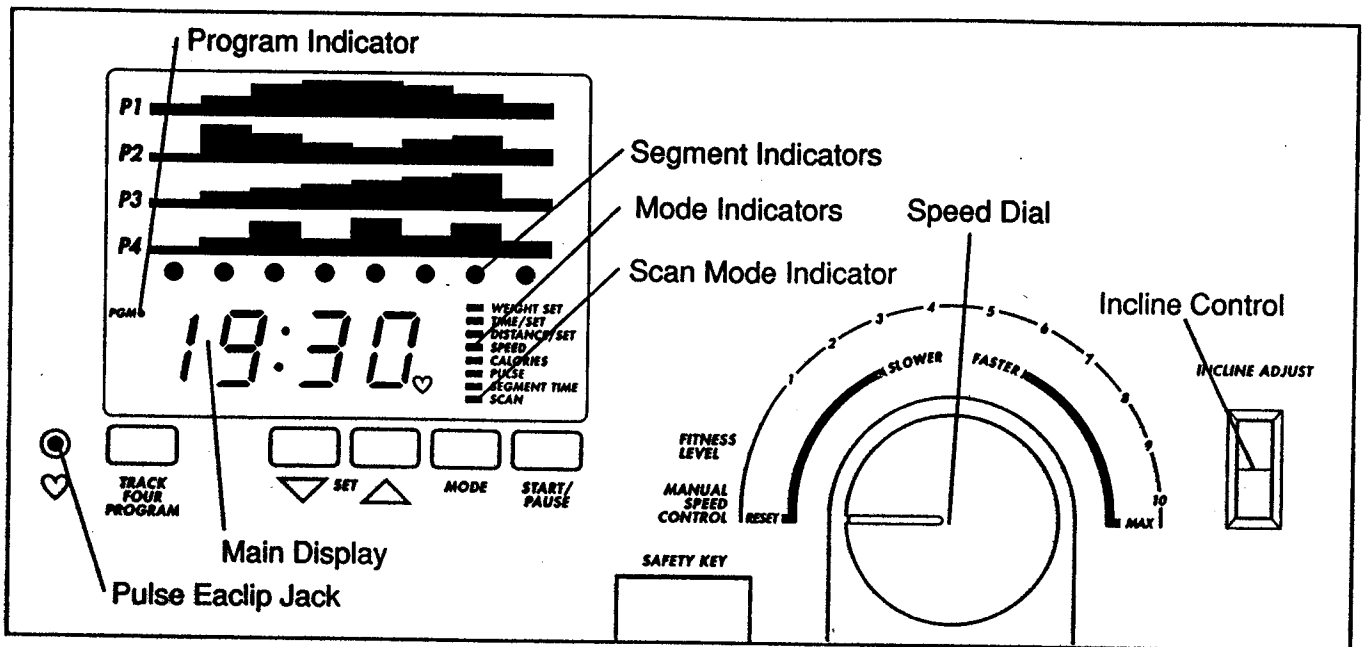


## MAINTENANCE-FREE WALKING PLATFORM

This treadmill features a walking platform with a specially designed hydrocarbon slip agent. Do not apply silicone spray or any other substance to the walking platform or the walking belt. Such substances will deteriorate the surface of the platform and cause excessive wear.

## DIAGRAM OF THE CONSOLE

Please read all instructions carefully before operating the console.



## DESCRIPTION OF THE CONTROLS

**TRACK FOUR PROGRAM BUTTON-** This button switches the console to the program mode. The program indicator (PGM) will light when the console is in the program mode.

**SET BUTTONS-** These buttons are used to select programs, enter your weight into the console, and set time and distance goals.

**MODE BUTTON-** This button is used to select monitor modes.

**START/PAUSE BUTTON-** This button starts and stops the console. The mode indicators will flash when the console is stopped.

**SPEED DIAL-** This dial controls the speed of the walking belt, and selects a fitness level for programs.

**INCLINE CONTROL-** This switch controls the incline of the treadmill.

## TURNING ON THE POWER

Stand on the foot rails of the treadmill. Do not stand on the walking belt. Attach the clip on the safety key to the waistband of your clothing. Insert the safety key into the slot in the front of the console. **WARNING:** Always wear the clip when operating the treadmill. If you fall while exercising, the safety key will be pulled from the console, instantly turning off the power.

## INCLINE ADJUSTMENT

To vary the intensity of your exercise, the incline of the treadmill can be changed, using the incline control on the right side of the console. To increase the incline, press the end of the switch farthest from you. To decrease the incline, press the end of the switch closest to you.

## MANUAL SPEED MODE

When the power is turned on, the console will be in the manual mode and will be stopped. To start the walking belt, first turn the speed dial to the reset position. Next, turn the dial clockwise until the walking belt begins to move at slow speed. Step carefully onto the walking belt and begin exercising. Change the speed of the walking belt as desired by turning the dial. To stop the walking belt, turn the dial to the reset position. **IMPORTANT: Each time the walking belt is stopped, the speed dial must be turned to the reset position before the walking belt can be restarted.**

The walking belt can also be stopped by pressing the START/PAUSE button. This will stop the console. To start the walking belt after the console has been stopped, turn the speed dial to the reset position, press the START/PAUSE button, and then turn the dial clockwise until the walking belt begins to move.

## PROGRAM SPEED MODE

In the program mode, preset programs will control the speed of the treadmill automatically, leaving you free to concentrate on your workout. Four different preset programs are offered. Each program can be set to last for the length of time you choose, and tailored to your personal fitness level.

Each preset program is composed of eight equal time periods, or segments. The speed of the walking belt will change automatically at the beginning of each segment. The four graphs (numbered 1-4) on the console show how the speed will change during the programs. During program 1, for example, the speed will gradually increase and then gradually decrease. During program 4, the speed will alternately increase and decrease.

To switch the console to the program mode, press the TRACK FOUR PROGRAM button. The program indicator (PGM) and the eight segment indicators will light. To select one of the four programs, press either of the SET buttons. A "P-1," "P-2," "P-3" or "P-4" will appear on the main display to show which program has been selected.

Programs are preset to last for 16 minutes (each segment will last for 2 minutes). If you wish to change the length of time the program will last, first press the MODE button until the TIME/SET indicator lights. (Be sure the SCAN indicator is not lighted also.) Press the SET buttons to set the length of time you want the program to last. Each time one of the buttons is pressed, the length of time will change by 10 seconds. The program must be set for at least 4 minutes (each segment will last for 30 seconds).

To start the program, first turn the speed dial to the reset position. Next, press the START/PAUSE button, and then turn the speed dial clockwise to select a fitness level for the program. The farther the dial is turned, the more challenging the program will be. After a few seconds, the first segment indicator will flash to show that the first segment of the program has started, and the walking belt will begin to move. Step carefully onto the walking belt and begin your workout. When only 10 seconds remain in the first segment, the time will be counted down on the main display. When the first segment is completed, the second segment indicator will flash and the speed of the walking belt will change. The program will continue in this manner until all eight segments are completed. The walking belt will then slow to a stop, and the program will end.

If you need to stop the program before the program has ended, press the START/PAUSE button. To restart the program, turn the speed dial to the reset position, press the START/PAUSE button, and then turn the dial to the desired fitness level.

After the program has ended, the console can be switched to the manual mode by pressing the TRACK FOUR PROGRAM button. The program indicator (PGM) will darken.

## **SELECTING MONITOR MODES**

The console offers eight different modes to give you feedback on your exercise. When the power is turned on, the SCAN mode will be selected automatically. In the SCAN mode, the TIME/SET, DISTANCE/SET, SPEED, CALORIES, PULSE and SEGMENT TIME modes will be displayed in a repeating cycle. (Note: The PULSE mode will be displayed only if the pulse earclip is worn [see PULSE below]. The SEGMENT TIME mode will be displayed only if the console is in the program mode.) Individual modes can also be selected by pressing the MODE button. Indicators will light to show which mode has been selected. The eight modes are described below:

**SCAN:** This mode automatically displays all other modes, except WEIGHT, in a repeating cycle.  
**Note:** The PULSE mode will be displayed only if the pulse earclip is worn (see PULSE below). The SEGMENT TIME mode will be displayed only if the console is in the program mode.

**WEIGHT:** Before selecting the CALORIES mode, your weight should be entered into the console. Select the WEIGHT mode, and then press the SET buttons to enter your weight, in pounds. Each time one of the buttons is pressed, the weight displayed will change by 5 pounds. The buttons can be held down to enter your weight quickly.

**TIME/SET:** This mode displays the elapsed time. This mode also allows a time goal to be set. To set a time goal, first select the TIME/SET mode. (A goal cannot be set while the SCAN mode is selected.) Press the SET buttons to set the length of time you plan to exercise. Each time one of the buttons is pressed, the length of time will change by 10 seconds. The buttons can be held down to set the length of time quickly. When the console is started, the time will be counted down. When no time remains, the console and the walking belt will stop. **Note:** A time goal should be set only when the console is in the manual mode. When the console is in the program mode, a time goal will be set already.

**DISTANCE/SET:** This mode displays the distance you have traveled. This mode also allows a distance goal to be set. To set a distance goal, first select the DISTANCE/SET mode. (A goal cannot be set while the SCAN mode is selected.) Press the SET buttons to set the distance you plan to travel. Each time one of the buttons is pressed, the distance will change by 0.1 mile. The buttons can be held down to set the distance quickly. When the console is started, the distance will be counted down. When the goal is completed, the console and the walking belt will stop. **Note:** A distance goal should be set only when the console is in the manual mode.

**SPEED:** This mode displays the speed of the walking belt.

**CALORIES:** This mode displays the number of Calories you have burned. For an accurate count, first select the WEIGHT mode, and enter your weight into the console.

**PULSE:** This mode displays your heart rate. Plug the pulse earclip into the jack on the console, and attach the earclip to your left ear lobe. Slide the clothes clip onto your collar to prevent excessive movement of the earclip wire. **Note:** If your heart rate is not displayed when this mode is selected, try rubbing your ear lobe and repositioning the earclip.

**SEGMENT TIME:** When the console is in the program mode, this mode displays the time remaining in the current program segment. **Note:** Even if this mode is not selected, the time remaining will be displayed during the last ten seconds of each segment.

## **TURNING OFF THE POWER**

Stand on the foot rails. Remove the safety key from the console. **Note:** Always remove the safety key when you finish exercising. Store the safety key in a secure location to prevent unauthorized persons from turning on the power.

# MAINTENANCE AND TROUBLE-SHOOTING

Check all parts periodically to ensure that they are tightened securely. Outside surfaces of the treadmill can be cleaned using a damp cloth and mild, non-abrasive detergent. Do not allow liquids to come in contact with the console.

## WALKING BELT ADJUSTMENT

The walking belt should always be kept centered on the walking platform. If the belt shifts to the right or left sides of the platform, the belt may be damaged by the roller guard screws. The belt can be adjusted using the rear roller adjustment bolts and the allen wrench included. **CAUTION: ALWAYS TURN THE POWER OFF BEFORE ADJUSTING THE WALKING BELT.**

**IF THE WALKING BELT HAS SHIFTED TO THE LEFT: TURN THE POWER OFF.** Turn the left adjustment bolt clockwise, and the right adjustment bolt counterclockwise, 1/4 of a turn each. Turn the power on. Repeat as necessary until the belt is centered.

**IF THE WALKING BELT HAS SHIFTED TO THE RIGHT: TURN THE POWER OFF.** Turn the left adjustment bolt counterclockwise, and the right adjustment bolt clockwise, 1/4 of a turn each. Turn the power on. Repeat as necessary until the belt is centered.

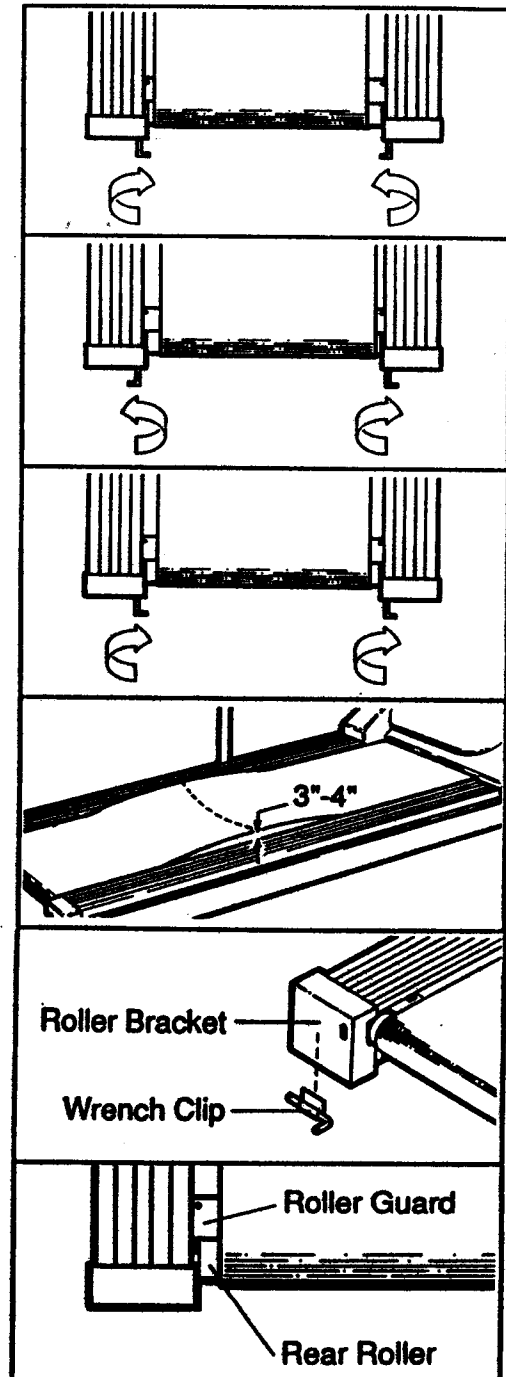
**IF THE WALKING BELT SLIPS DURING USE: TURN THE POWER OFF.** Turn both adjustment bolts clockwise 1/4 of a turn. Turn the power on. Repeat as necessary until the belt does not slip. Be careful not to overtighten the bolts. Overtightening can stretch the belt, cause excessive roller noise, and reduce motor performance.

To check the walking belt for proper tension, **TURN THE POWER OFF**, and lift the edges of the walking belt. You should be able to lift each edge 3-4 inches off the walking platform. The center of the belt should remain just at the surface of the platform.

The allen wrench can be stored conveniently on the self-adhesive wrench clip.

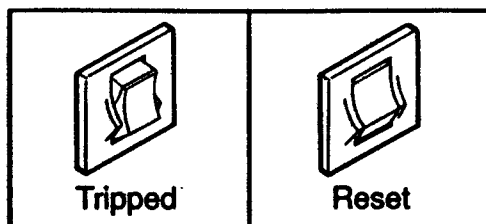
## ROLLER GUARD ADJUSTMENT

The rear edge of each roller guard should be 1/8 inch from touching the rear roller. To adjust the roller guards, loosen the screws in the roller guards, slide the roller guards forward or backward, and retighten the screws.



## CIRCUIT BREAKER

If the treadmill stops or will not start, check the circuit breaker located on the front of the frame near the power cord. The circuit breaker is designed to protect the electrical system. If the circuit breaker has tripped, the switch will protrude as shown. To reset the circuit breaker, allow the treadmill to cool for a few minutes and then push the switch back in.



## PULSE EARCLIP

If the pulse earclip does not function properly, the earclip should be cleaned. Press the earclip open, and wipe the small, clear circles inside using a cotton swab saturated with denatured alcohol.

## STORAGE

Always unplug the power cord when the treadmill is not in use. To convert the treadmill to the storage position, first remove the bolt and nut from the lower end of the side rail. Store the bolt and nut in a secure location. Remove the side rail from the handrail. Loosen the lock knob and lay the upright post on the treadmill.

# CONDITIONING GUIDELINES

The following guidelines will help you to plan and regulate your personal fitness program. Remember that adequate rest and good nutrition are essential to the success of any fitness program. **Before beginning this or any exercise program, consult your physician.**

## EXERCISE INTENSITY

To maximize the benefits of exercising, your level of exertion must exceed mild demands while falling short of causing breathlessness and fatigue. The proper level of exertion can be determined using the heart rate as a guide. For effective aerobic exercise, your heart rate must be maintained at a level between 70% and 85% of your maximum heart rate. This is your "training zone." You can determine your training zone by consulting the table below. Training zones are listed for both conditioned and unconditioned persons according to age. Use the column that is appropriate for you.

AGE	UNCONDITIONED TRAINING ZONE (BEATS/MIN)	CONDITIONED TRAINING ZONE (BEATS/MIN)	AGE	UNCONDITIONED TRAINING ZONE (BEATS/MIN)	CONDITIONED TRAINING ZONE (BEATS/MIN)
20	138-167	133-162	55	127-155	122-149
25	136-166	132-160	60	126-153	121-147
30	135-164	130-158	65	125-151	119-145
35	134-162	129-156	70	123-150	118-144
40	132-161	127-155	75	122-147	117-142
45	131-159	125-153	80	120-146	115-140
50	129-156	124-150	85	118-144	114-139

During the first few weeks of your exercise program, you should keep your heart rate near the low end of your training zone. Over the course of a few months, gradually increase your heart rate until it reaches the high end of your training zone. You can measure your heart rate and find the proper level of exercise intensity using the treadmill console. Exercise for at least four minutes, and then measure your heart rate using the pulse mode. If your heart rate is above your training zone, decrease your level of exertion. If your heart rate is too low, increase your level of exertion.

## WORKOUT PATTERN

Each workout should consist of 5 basic parts: 1. Resting, 2. Warming up, 3. Training Zone exercise, 4. Cooling down, 5. Resting. Warming up should be an important part of every workout, preparing the body for strenuous exercise by increasing circulation, delivering more oxygen to the muscles, and raising body temperature. 5-10 minutes of stretching can provide a good warm-up. After warming up, begin exercising with low intensity for a few minutes. Then increase the intensity of your exercise to raise your heart rate to your training zone for a period of 20-30 minutes. To aid circulation and help prevent soreness, finish your workout with 5-10 minutes of stretching or light exercise.

## EXERCISE FREQUENCY

To maintain or improve your condition, you must work out 2-3 times per week following the pattern described above. A day of rest between workouts is recommended. After several months of exercise, the number of workouts can be increased to 4-5 per week. The key to a successful program is **REGULAR** exercise.

**PART LIST- Model No. WL485010**

Rev. 11/91

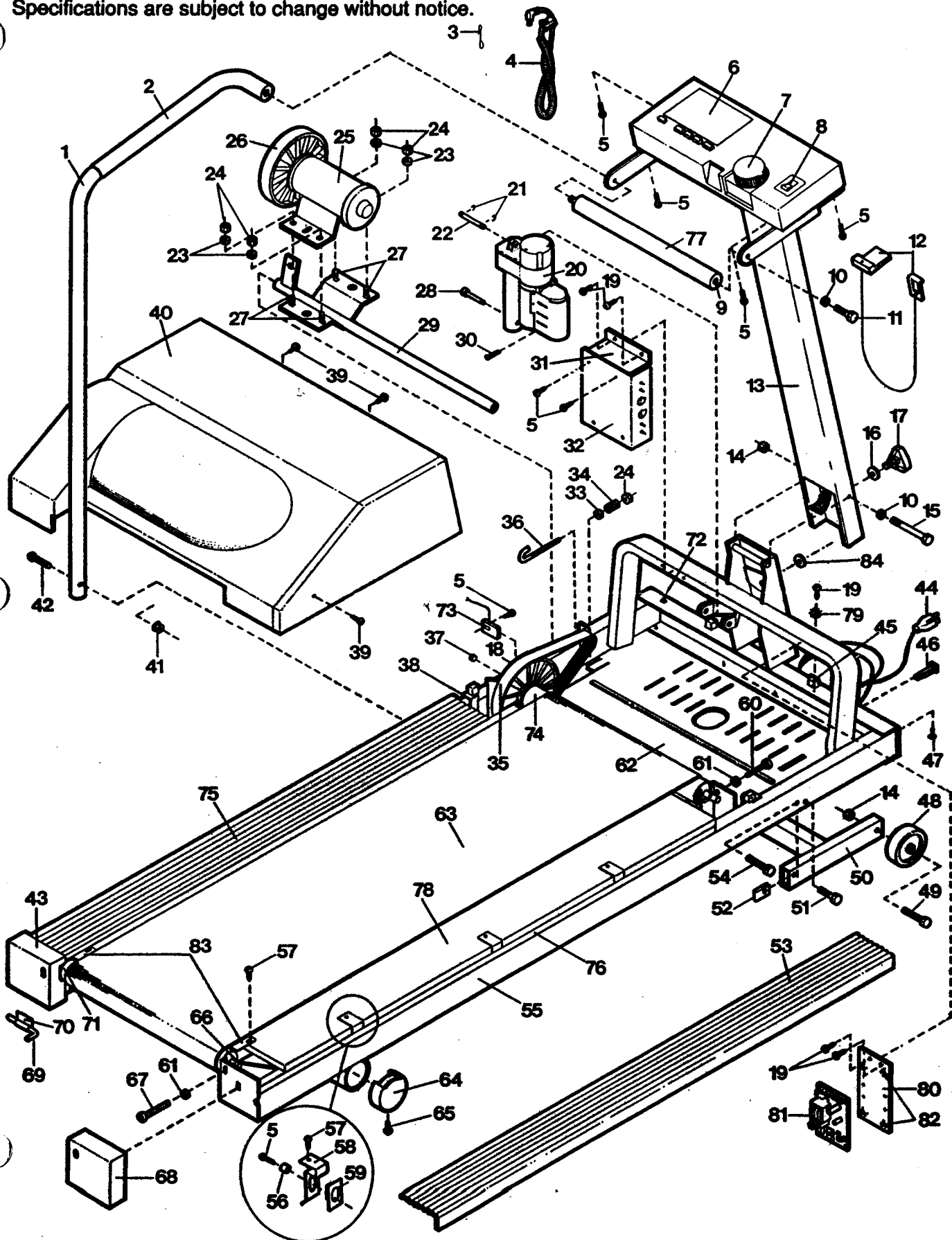
Key No.	Qty.	Description	Key No.	Qty.	Description
1	1	Side Rail w/Foam Grip	43	1	Left Endcap
2	2	Side Rail Foam Grip	44	1	Power Cord
3	1	Clothes Clip	45	4	Hood Mount Anchor
4	1	Pulse Earclip	46	1	Circuit Breaker
5	13	Screw	47	12	Plastic Pin
6	1	Console	48	2	Front Wheel
7	1	Speed Dial	49	2	Wheel Bolt
8	1	Incline Control	50	1	Incline Leg
9	1	Handrail w/Foam Grip	51	2	Incline Leg Bolt
10	3	Flat Washer	52	2	U-Nut
11	1	Handrail Bolt	53	1	Right Foot Rail
12	1	Safety Key/Clip	54	2	Swivel Shaft Bolt
13	1	Upright Post	55	1	Frame
14	3	Lock Nut	56	6	Small Bushing
15	1	Pivot Bolt	57	8	Platform Screw
16	1	Lock Knob Washer	58	6	Platform Clamp
17	1	Lock Knob	59	6	Platform Clamp Bushing
18	1	Front Roller Insert	60	1	Front Roller Adjustment Bolt
19	9	Small Screw	61	3	Adjustment Washer
20	1	Incline Motor	62	1	Safety Cover
21	2	E-Clip	63	1	Walking Belt
22	1	Upper Motor Pin	64	2	Rear Leg Endcap
23	4	Motor Mount Washer	65	2	Rear Leg Screw
24	5	Motor Mount Nut	66	2	Rear Roller Spacer
25	1	Motor	67	2	Rear Roller Adjustment Bolt
26	1	Pulley/Flywheel/Fan	68	1	Right Endcap
27	4	Motor Bolt	69	1	Allen Wrench
28	1	Lower Motor Pin	70	1	Wrench Clip
29	1	Motor Mount Swivel Shaft	71	1	Rear Roller
30	1	Cotter Pin	72	4	Wire Clip
31	1	Controller Bracket	73	1	Sensor Wire/Reed Switch
32	1	Controller	74	1	Front Roller/Pulley
33	1	Motor Tension Washer	75	1	Left Foot Rail
34	1	Motor Tension Spring	76	1	Right High Density Foam
35	1	Belt	77	1	Handrail Foam Grip
36	1	J-Bolt	78	1	Walking Platform
37	1	Magnet	79	1	Star Washer
38	1	Left High Density Foam	80	1	Power Board Mounting Plate
39	4	Hood Screw	81	1	Power Supply Board
40	1	Motor Hood w/Decal	82	4	Plastic Clip
41	1	Side Rail Nut	83	2	Rear Roller Guard
42	1	Side Rail Bolt	84	1	Upright Spacer
			#	1	Owner's Manual

Note: "#" indicates a non-illustrated part. Specifications are subject to change without notice. See the back cover for information on ordering replacement parts.

# EXPLODED DRAWING- Model No. WL485010

Rev. 11/91

Specifications are subject to change without notice.



---

# ORDERING REPLACEMENT PARTS

To order replacement parts, simply call our Customer Service Department toll-free at 1-800-999-3756, Monday through Friday, 6 a.m. until 6 p.m. Mountain Time (excluding holidays). When ordering parts, please be prepared to give the following information:

1. The MODEL NUMBER of the product (WL485010).
2. The NAME of the product (Weslo Epic treadmill).
3. The SERIAL NUMBER of the product (see the front cover of this manual).
4. The KEY NUMBER of the part(s) from page 14 of this manual.
5. The DESCRIPTION of the part(s) from page 14 of this manual.

If possible, place the treadmill near your telephone for easy reference when calling.