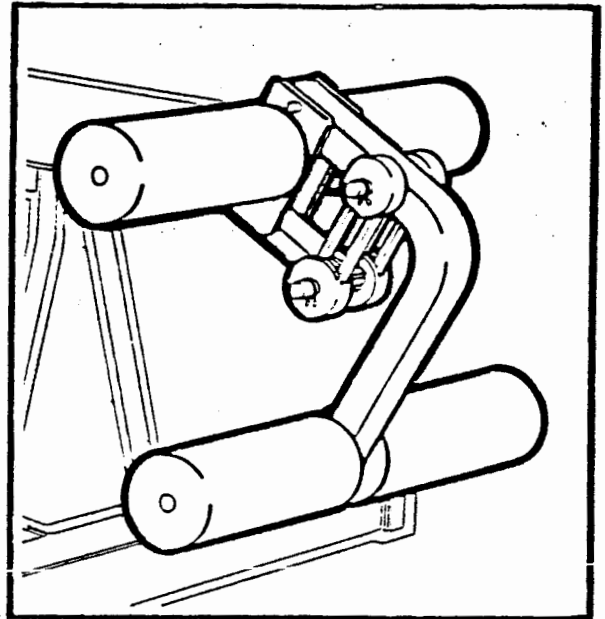


Model No. WL871000

# LEG ATTACHMENT

FOR THE **FLEX CTS™**

If you have additional questions regarding assembly or use of the Leg Attachment, please call one of our Customer Service representatives toll-free at 1-800-99WESLO (999-3756), Monday through Friday, 6 a.m. until 6 p.m. Mountain Time (excluding holidays). To help us assist you, please refer to the model number of this product (WL871000).

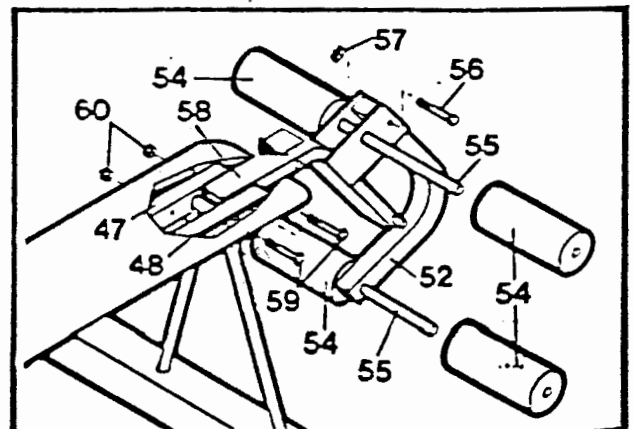


\* Weightbands not included

## ASSEMBLY AND ADJUSTMENT

Remove all parts from the packing carton. Make sure that all parts are Included before disposing of the packing materials. Assembly can be completed without the use of tools.

1. Slide the Lift Mount (58) between the Bench Rails (47 & 48) as shown. Attach the Lift Mount with the two Mount Bolts (59) and Nuts (60). Tighten the Mount Nuts only finger tight.
2. Attach the Leg Lift (52) to the Lift Mount (58) with the Leg Lift Bolt (56) and Wingnut (57).
3. Center the Pad Mount Tube (55) in the Leg Lift. Slide a Lift Pad (54) onto both ends of the Pad Mount Tube.



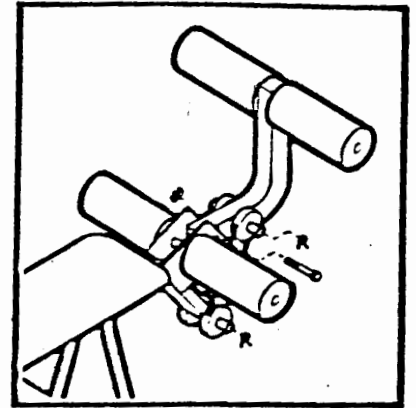
Repeat the above step to attach a Pad Mount Tube to the Lift Mount.

## ADJUSTING THE WORKLOAD

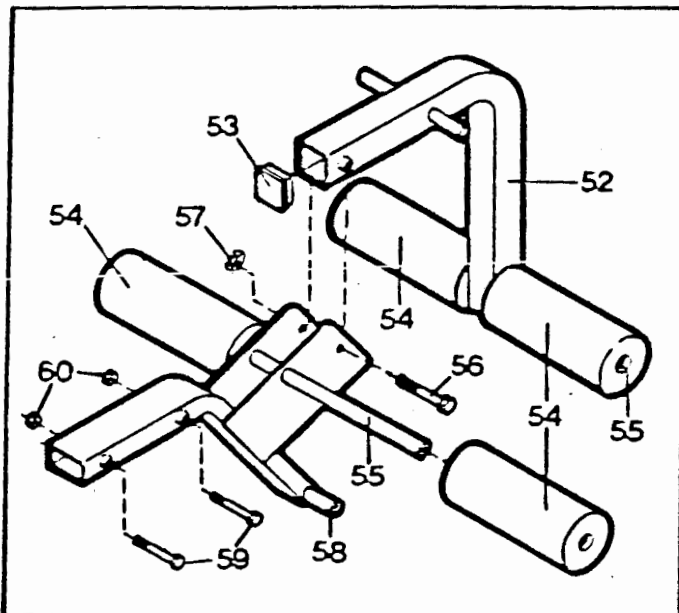
Slide weightbands (not included) onto the posts located on the leg mount and leg lift. Attach retainers to all four posts to hold the weightbands in place.

## ADJUSTING THE LEG LIFT

The leg lift should be attached as described in the assembly instructions. For certain exercises, the leg lift can be assembled in a vertical position (see illustration). Take off any weightbands, and remove the leg lift bolt and wingnut. Turn the leg Lift Upward and replace the leg lift bolt and wingnut.



## EXPLODED DRAWING AND PART LIST - Model No. WL871000



Key No.	Qty.	Description
52	1	Leg Lift
53	1	Leg Lift Endcap
54	4	Lift Pad
55	2	Pad Mount Tube
56	1	Leg Lift Bolt
57	1	Wingnut 103959
58	1	Lift Mount
59	2	Mount Bolt
60	2	Mount Nut
#	1	Owner's Manual <del>103470</del>

103837

Note: "#" indicates a non-illustrated part.

Replacement parts can be ordered by calling our Customer Service Department toll-free at 1-800-99WESLO (999-3756), during our business hours: Monday - Friday, 6 a.m. - 6 p.m., Mountain Time. When ordering parts, please be prepared to give the following information:

1. The MODEL NUMBER of this product (WL871000).
2. The NAME of the product (FLEX CTS Leg Attachment).
3. The KEY NUMBER and DESCRIPTION of the part(s) from the part list above.