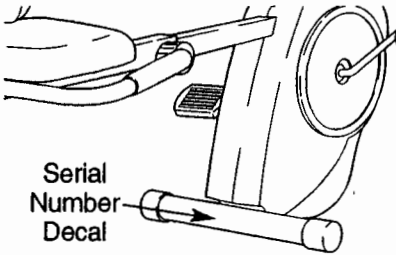


Model No. WLBPEX20980

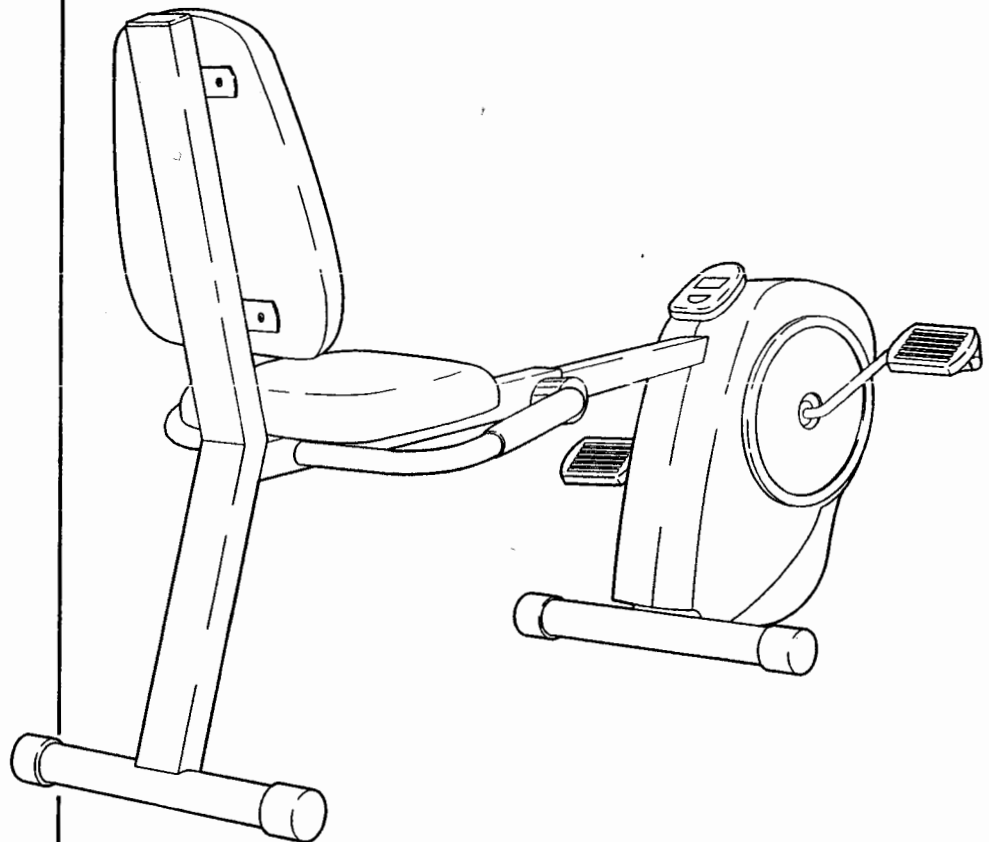
Serial No. _____

Write the serial number in the space above for future reference.



WESLO®

pulse sensor



! CAUTION

Read all precautions and instructions in this manual before using this equipment. Keep this manual for future reference.

USER'S MANUAL

TABLE OF CONTENTS

| | |
|--------------------------------|------------|
| IMPORTANT PRECAUTIONS | 2 |
| BEFORE YOU BEGIN | 3 |
| PART IDENTIFICATION CHART | 3 |
| ASSEMBLY | 4 |
| HOW TO USE THE EXERCISE CYCLE | 6 |
| STORAGE AND TROUBLESHOOTING | 7 |
| CONDITIONING GUIDELINES | 9 |
| PART LIST | 10 |
| EXPLODED DRAWING | 11 |
| HOW TO ORDER REPLACEMENT PARTS | Back Cover |

IMPORTANT PRECAUTIONS

⚠ WARNING: To reduce the risk of serious injury, read the following important precautions before using the exercise cycle.

1. Read all instructions in this manual before using the exercise cycle. Use the exercise cycle only as described.
2. It is the responsibility of the owner to ensure that all users of the exercise cycle are adequately informed of all precautions.
3. Use the exercise cycle indoors, away from moisture and dust. Place the exercise cycle on a level surface, with a mat beneath it to protect the floor or carpet from damage.
4. Inspect and properly tighten all parts regularly. Replace any worn parts immediately.
5. Keep children under the age of 12 and pets away from the exercise cycle at all times.
6. The exercise cycle should not be used by persons weighing more than 250 pounds.
7. Wear appropriate clothing when exercising. Do not wear loose clothing that could become caught on the exercise cycle. Always wear athletic shoes for foot protection.
8. Always keep your back straight when using the exercise cycle. Do not arch your back.
9. If you feel pain or dizziness at any time while exercising, stop immediately and begin cooling down.
10. The exercise cycle is intended for in-home use only. Do not use the exercise cycle in a commercial, rental, or institutional setting.
11. The decal shown below has been placed on the exercise cycle. If the decal is missing, or if it is not legible, please contact the establishment where you purchased the product.



⚠ WARNING: Before beginning hills or any exercise program, consult your physician. This is especially important for persons over the age of 35 or persons with pre-existing health problems. Read all instructions before using. ICON assumes no responsibility for personal injury or property damage sustained by or through the use of this product.

BEFORE YOU BEGIN

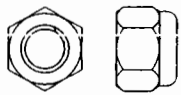
Thank you for selecting the new WESLO® PULSE SENSOR exercise cycle. The WESLO® PULSE SENSOR exercise cycle blends advanced engineering with contemporary styling to provide you with a low-impact workout in the convenience and privacy of your own home.

For your benefit, read this manual carefully before you use the WESLO® PULSE SENSOR exercise

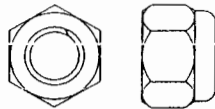
cycle If you have questions after reading the manual, please contact the establishment where you purchased the product. To help us assist you, please mention the product model number and serial number when calling. The model number is WLBPEX20980. The serial number can be found on a decal attached to the exercise cycle (see the front cover of this manual for the location of the decal).

PART IDENTIFICATION CHART

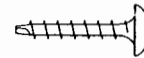
Use the drawings below to identify the small parts used in assembly. The number in parenthesis below each drawing refers to the key number of the part, from the PART LIST on page 10. The second number refers to the quantity used in assembly. **Note: If a part is not found in the parts bag, check to see if it has been preassembled.**



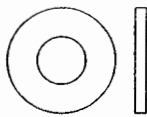
M6 Locknut (52)—6



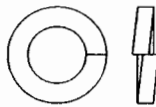
M8 Locknut (39)—4



M4 x 16mm Screw (46)—6



M6 Washer (35)—4



Lockwasher M8 (57)—2



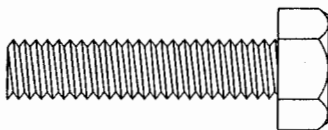
M6 x 16mm Round Head Screw (55)—8



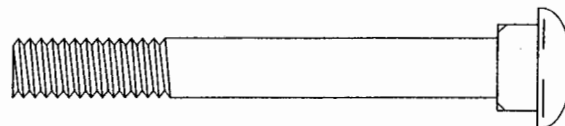
M6 x 34mm Button Head Bolt (19)—4



Button Head Screw
M6 x 52mm (47)—4


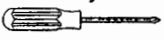



Hex Head Bolt
M8 x 36mm (56)—2

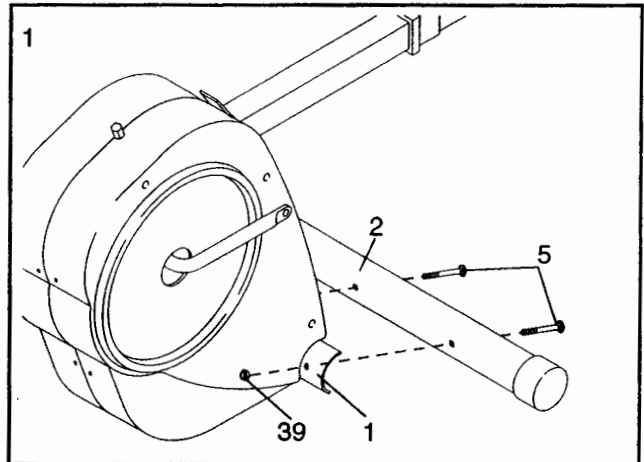


M8 x 65mm Carriage Bolt (5)—4

ASSEMBLY

Place all parts of the exercise cycle in a cleared area and remove the packing materials. Do not dispose of the packing materials until assembly is completed. **Assembly requires the included allen wrench** , **a phillips screwdriver** , and **two adjustable wrenches** .

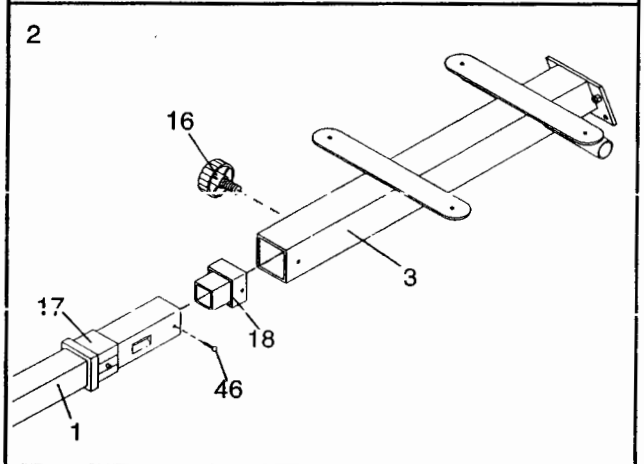
1. Hold one of the Stabilizers (2) against the saddle on the Frame (1). Attach the Stabilizer with two M8 x 65mm Carriage Bolts (5) and two M8 Locknuts (39).



2. Slide the Seat Frame Bushing (17) onto the Frame (1). Insert the Frame Bushing (18) into the Frame and secure it with an M4 x 16mm Screw (46).

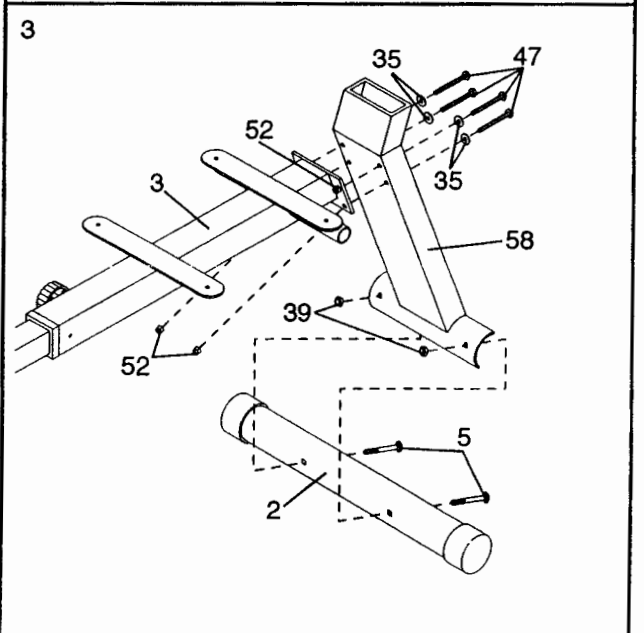
Slide the Frame (1) into the Seat Frame (3). Push the Seat Frame Bushing (17) into the Seat Frame until it snaps into place.

Screw the Adjustment Knob (16) into the Seat Frame (3) and tighten it.



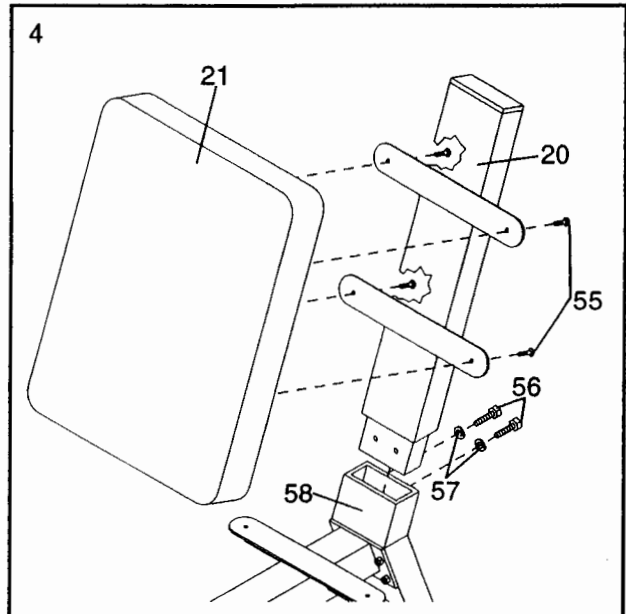
3. Attach the Lower Seat Frame (58) to the Seat Frame (3) with four M6 x 52mm Button Head Screws (47), four M6 Washers (35), and four M6 Locknuts (52).

Next, hold the other Stabilizer (2) against the saddle on the Lower Seat Frame (58). Attach the Stabilizer with two M8 x 65mm Carriage Bolts (5) and two M8 Locknuts (39).



- Slide the Backrest Frame (20) into the Lower Seat Frame (58). Attach the Backrest Frame with two M8 x 36mm Hex Head Bolts (56) and two M8 Lock Washers (57).

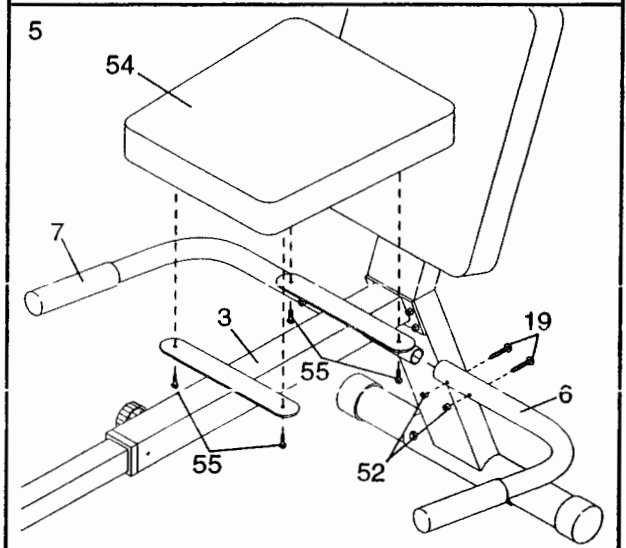
Attach the Backrest (21) to the Backrest Frame (20) with four M6 x 16mm Round Head Screws (55).



- Slide one of the Handlebars (6) onto the left side of the Seat Frame (3). Insert two M6 x 34mm Button Head Bolts (19) into the Handlebar and the Seat Frame. **Make sure that the Handlebar angles upward.** If the Handlebar does not angle upward, slide the other Handlebar onto the left side of the Seat Frame. If the Handlebar angles upward, tighten two M6 Locknuts (52) onto the Button Head Bolts.

Assemble the other Handlebar (7) in the same way.

Attach the Seat (54) to the Seat Frame (3) with four M6 x 16mm Round Head Screws (55).

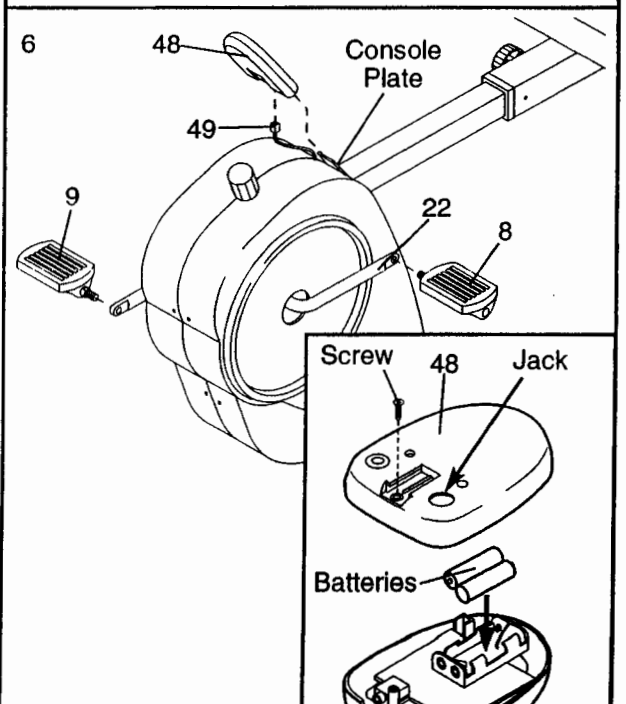


- The Console (48) requires two "AA" batteries (not included). Alkaline batteries are recommended. Refer to the inset drawing. Remove the screw on the back of the Console and pry the two halves apart. Press two batteries into the battery compartment. **Make sure that the negative ends of the batteries (marked "-") are touching the springs in the battery compartment.** Press the two halves of the console shell back together and re-attach the screw.

Connect the Reed Switch Wire (49) to the jack on the back of the Console. The jack is located inside the indicated hole.

Slide the Console (48) onto the console plate.

Identify the Left Pedal (8), which is marked with an "L." Using an adjustable wrench, tighten the Left Pedal *counterclockwise* into the left arm of the Crank (22). Next, tighten the Right Pedal (9) *clockwise* into the right arm on the Crank.

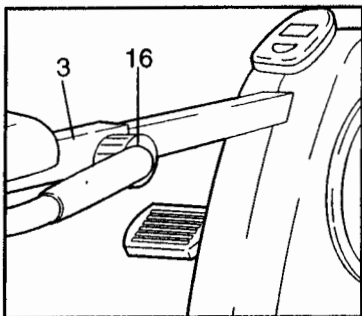


- Make sure that all parts are properly tightened before you use the exercise cycle. Note: the use of the Pulse Monitor (not shown) is explained on page 7.**

HOW TO USE THE EXERCISE CYCLE

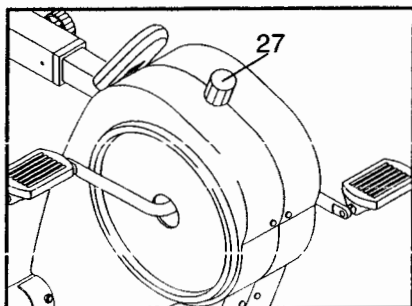
HOW TO ADJUST THE POSITION OF THE SEAT FRAME

The Seat Frame (3) can be adjusted to the position that is most comfortable for you. To adjust the Seat Frame, first loosen the Adjustment Knob (16) on the right side of the frame. Slide the Seat Frame forward or backward to the desired position. Retighten the Adjustment Knob.



HOW TO ADJUST THE PEDALING RESISTANCE

To vary the intensity of your exercise, the pedaling resistance can be adjusted. The resistance is controlled with the Resistance Knob



(27). To increase the resistance, turn the Resistance Knob clockwise; to decrease the resistance, turn the Resistance Knob counterclockwise.

BATTERY INSTALLATION

Before the console can be operated, two "AA" batteries must be installed. If you have not installed batteries, see assembly step 6 on page 5.

DESCRIPTION OF THE CONSOLE

The console features seven modes that provide instant exercise feedback during your workouts. The modes are described below.

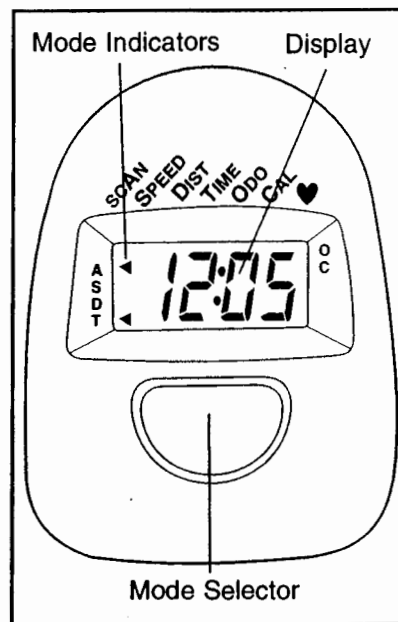
- **SPEED**—Displays your pedaling speed, in kilometers per hour.
- **DISTANCE**—Displays the total distance you have pedaled, in kilometers.
- **TIME**—Displays the elapsed time. Note: If you stop pedaling for ten seconds or longer, the time mode will pause until you resume.

- **ODO**—Displays the accumulated distance since the batteries were last replaced

- **CALORIE**—Displays the approximate number of calories you have burned.

- **SCAN**—Displays the speed, time, distance, odometer and calorie modes, for 6 seconds each, in a repeating cycle.

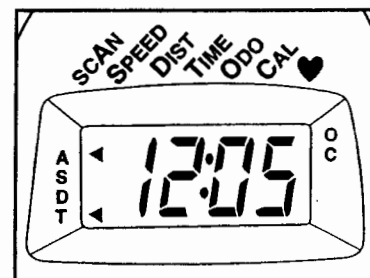
- **PULSE**—Displays your heart rate in beats per minute. Before using this mode, you must plug the Pulse Sensor into the console and attach it to your earlobe, as described later.



HOW TO OPERATE THE CONSOLE

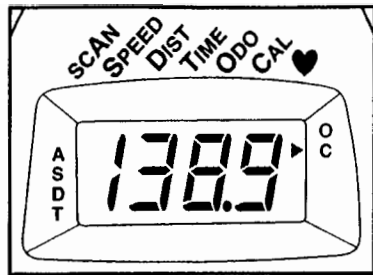
1. To turn on the power, press the mode selector button or simply begin pedaling. When the power is turned on, the entire display will appear for two seconds. The console will then be ready for operation.
2. Select the desired mode:

Scan mode—When the power is turned on, the scan mode will automatically be selected. One mode indicator will show that the scan mode is selected, and a flashing mode indicator will show which mode is currently displayed. Note: If a different mode is selected, you can select the scan mode again by repeatedly pressing the mode button.



Speed, distance, time, odometer or calorie mode—To select one of these modes for continuous display, press the mode button repeatedly. The mode

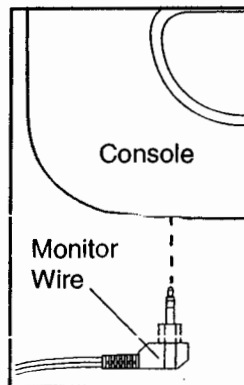
indicators will show which mode is selected. Make sure that the scan mode is not selected.



3. To reset the display, press the mode selector button and hold it for more than three seconds.
4. To turn off the power, simply wait for about four minutes. **Note: The monitor has an "auto-off" feature. If the pedals are not moved and the monitor buttons are not pressed for four minutes, the power will turn off automatically in order to conserve the batteries.**

USING THE PULSE MONITOR

To use the Pulse Monitor, plug the pulse monitor wire into the jack at the lower edge of the Console, as shown in the drawing to the right.

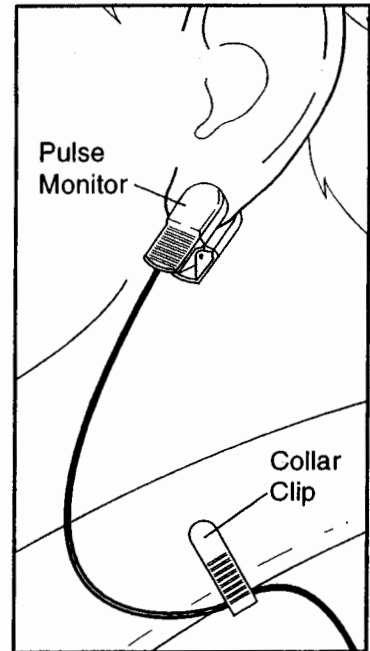


Attach the clip on the monitor wire to your collar or another suitable place on your clothing. Rub your left earlobe several times with your thumb and index fingers and then clip the Pulse Monitor onto your earlobe. Push

the mode selector button until a heart-shaped indicator appears on the left side of the display. Your pulse rate will appear after approximately four seconds.

Note that the Pulse Monitor is more accurate when used on the left earlobe and when you are sitting still. It is recommended that you stop pedaling when using the Pulse Monitor to ensure the best results.

If your pulse rate does not appear on the display after four seconds, check that the wire is plugged in to the Monitor. If you still don't get a reading, make sure the monitor is attached properly. It is often difficult to position the Pulse Monitor on the first try, so you may have to reposition the monitor a few times before you find the best position. It can be helpful to use a mirror or a friend to find the correct position for the monitor clip.



When you have gotten an accurate pulse reading, switch to another mode to conserve battery power.

STORAGE AND TROUBLESHOOTING

Inspect and tighten all parts of the exercise cycle regularly. Replace any worn parts immediately.

The exercise cycle can be cleaned with a soft, damp cloth. Avoid spilling liquid on the console. Keep the console out of direct sunlight or the display may be damaged. Remove the batteries when storing the exercise cycle.

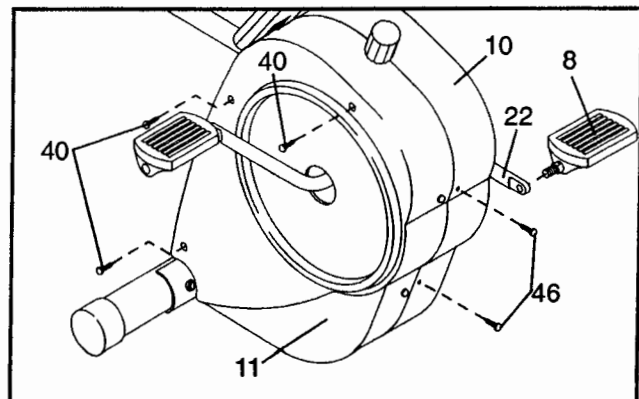
BATTERY REPLACEMENT

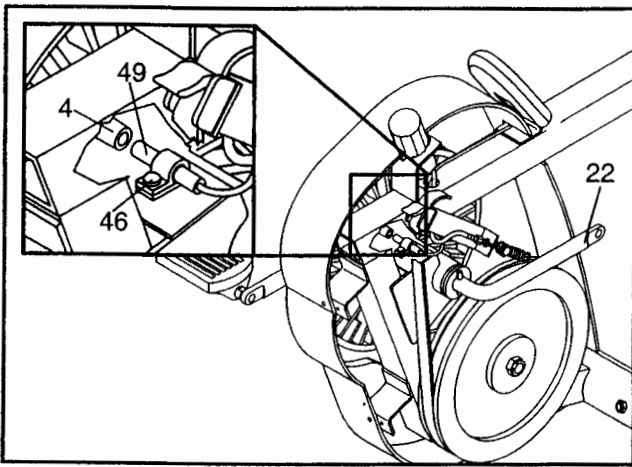
If the console does not function properly, the batteries should be replaced. See assembly step 6 on page 5. In addition, make sure that the console wire is connected to the reed switch wire.

HOW TO ADJUST THE REED SWITCH

If the console does not display correct feedback, the reed switch should be adjusted. In order to adjust the reed switch, the Left Side Shield (10) must be removed.

Using an adjustable wrench, turn the Left Pedal (8) clockwise and remove it from the Crank (22). Remove the three Side Shield Screws (40) from the Right Side Shield (11) and the two M4 x 16mm Screws (46) from the Left Side Shield (10). Make sure that the arm of the Crank (22) is in the position shown in the drawing. Carefully slide the Left Side Shield (11) forward off the arm of the Crank and remove it.



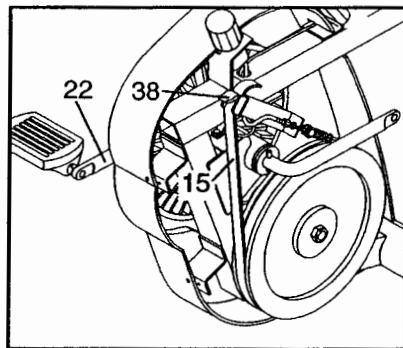


Next, locate the Reed Switch (49). Turn the Crank (22) until the Magnet (4) is aligned with the Reed Switch. Loosen but do not remove the M4 x 16mm Screw (46). Slide the Reed Switch slightly closer to or away from the Magnet. Retighten the Screw. Turn the Crank for a moment. Repeat until the console displays correct feedback. When the Reed Switch is correctly adjusted, reattach the left side shield and pedal.

HOW TO ADJUST THE RESISTANCE STRAP

If there is not enough pedaling resistance when the resistance knob is turned to the highest setting, the Resistance Strap (15) may need to be adjusted. To adjust the Resistance Strap, the left side shield must first be removed. Refer to the instructions on page 7 and remove the left side shield.

Next, turn the resistance knob to the lowest setting. Locate and open the Strap Clamp (38). Grip the end of the Resistance Strap (15) and pull it up slightly. While holding the end of the Resistance Strap, **fully** close the

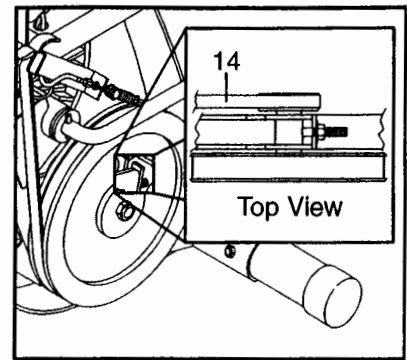


Strap Clamp. Turn the Crank (22) for a moment to make sure that there is not too much resistance. When the Resistance Strap is properly adjusted, reattach the left side shield and pedal.

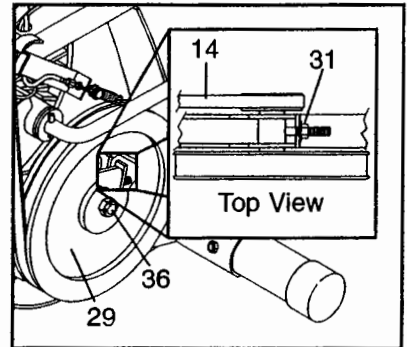
HOW TO ADJUST THE DRIVE BELT

The exercise cycle features a drive belt that must be kept properly adjusted. If the belt causes excessive noise or slips as you pedal, the belt should be checked. To do this, the side shields must first be removed. Refer to the instructions on page 7 and remove the left side shield. Next, remove the right side shield in the same way.

Press down on the center of the Drive Belt (14) between the front and rear pulleys. There should be from 1/4" to 1/2" of movement in the center of the Belt.



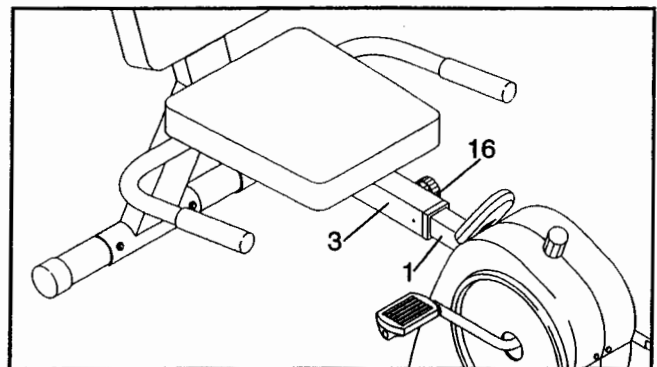
If the Drive Belt (14) is properly adjusted, reattach the side shields and pedals. If the Belt needs to be adjusted, loosen the Nylon Locknut (36) on the left side of the Flywheel (29). To tighten the Belt, turn the



Adjustment Bolt (31) clockwise; to loosen the Belt, turn the Adjustment Bolt counterclockwise. Make sure that the Flywheel is straight and tighten the Nylon Locknut (36). Reattach the side shields and pedals.

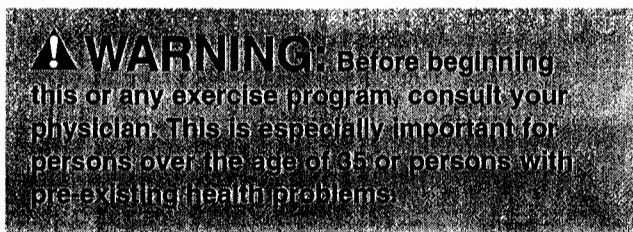
HOW TO STORE THE EXERCISE CYCLE

When the exercise cycle is not in use, it can be adjusted to the storage position. Refer to the drawing below. Loosen the Adjustment Knob (16) on the right side of the Seat Frame (3). Slide the Frame (1) as far into the Seat Frame as it will go. Tighten the Adjustment Knob. Store the exercise cycle indoors, away from moisture and dust.



CONDITIONING GUIDELINES

The following guidelines will help you to plan your exercise program. Remember that proper nutrition and adequate rest are essential for successful results.



EXERCISE INTENSITY

Whether your goal is to burn fat or to strengthen your cardiovascular system, the key to achieving the desired results is to exercise with the proper intensity. The proper intensity level can be found by using your heart rate as a guide. The chart below shows recommended heart rates for fat burning, maximum fat burning, and cardiovascular (aerobic) exercise.

| HEART RATE TRAINING ZONES | | | | |
|---------------------------|-----------|----------|-----------|--------|
| | ♥ MIN BPM | | MAX BPM ♥ | |
| AGE 20 | 125 | 145 | 165 | 20 AGE |
| 30 | 120 | 138 | 155 | 30 |
| 40 | 115 | 130 | 145 | 40 |
| 50 | 110 | 125 | 140 | 50 |
| 60 | 105 | 118 | 130 | 60 |
| 70 | 95 | 110 | 125 | 70 |
| 80 | 90 | 103 | 115 | 80 |
| | Fat Burn | Max Burn | Aerobic | |

To find the proper heart rate for you, first find your age on either side of the chart (ages are rounded off to the nearest ten years). Next, find the three numbers to the side of your age. The three numbers are your "training zone." The lowest number is the recommended heart rate for fat burning; the middle number is the heart rate for maximum fat burning; the highest number is the heart rate for aerobic exercise.

Burning Fat

To burn fat effectively, you must exercise at a relatively low intensity level for a sustained period of time. During the first few minutes of exercise, your body uses easily accessible *carbohydrate* calories for ener-

gy. Only after the first few minutes of exercise does your body begin to use stored *fat* calories for energy. If your goal is to burn fat, adjust the intensity of your exercise until your heart rate is near the lowest number in your training zone as you exercise.

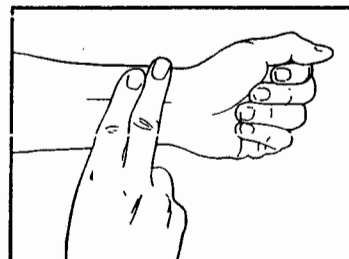
For maximum fat burning, adjust the intensity of your exercise until your heart rate is near the middle number in your training zone as you exercise.

Aerobic Exercise

If your goal is to strengthen your cardiovascular system, your exercise must be "aerobic." Aerobic exercise is activity that requires large amounts of oxygen for prolonged periods of time. This increases the demand on the heart to pump blood to the muscles, and on the lungs to oxygenate the blood. For aerobic exercise, adjust the intensity of your exercise until your heart rate is near the highest number in your training zone.

HOW TO MEASURE YOUR HEART RATE

To measure your heart rate, first exercise for at least four minutes. Then, stop exercising and place two fingers on your wrist as shown. Take a six-second heart-beat count, and multiply the result by 10



to find your heart rate. For example, if your six-second heartbeat count is 14, your heart rate is 140 beats per minute. (A six-second count is used because your heart rate will drop rapidly when you stop exercising.)

WORKOUT GUIDELINES

Each workout should include the following three parts:

A warm-up, consisting of 5 to 10 minutes of stretching and light exercise. A proper warm-up increases your body temperature, heart rate, and circulation in preparation for exercise.

Training zone exercise, consisting of 20 to 30 minutes of exercising with your heart rate in your training zone. (During the first few weeks of your exercise program, do not keep your heart rate in your training zone for longer than 20 minutes.)

A cool-down, with 5 to 10 minutes of stretching. This will increase the flexibility of your muscles and will help to prevent post-exercise problems.

EXERCISE FREQUENCY

To maintain or improve your condition, plan three workouts each week, with at least one day of rest between

workouts. After a few months of regular exercise, you may complete up to five workouts each week, if desired. **Caution: Be sure to progress at your own pace and avoid overdoing it. Incorrect or excessive training may result in injury to your health.**

Remember, the key to success is make exercise a regular and enjoyable part of your everyday life.

PART LIST—Model No. WLBPEX20980

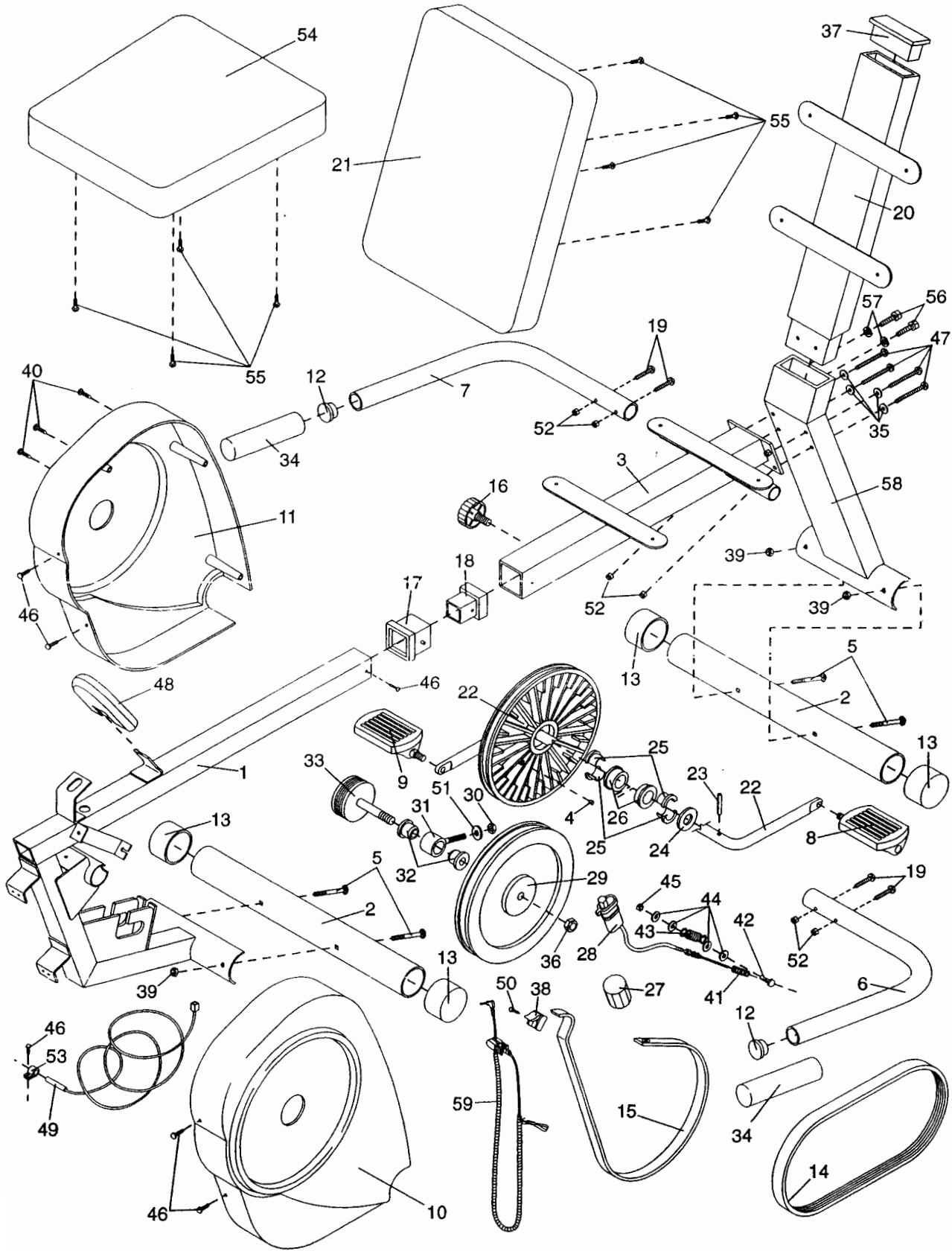
R0103A

| Key No. | Qty. | Description | Key No. | Qty. | Description |
|---------|------|----------------------------|---------|------|-----------------------------|
| 1 | 1 | Frame | 32 | 2 | Flywheel Bushing |
| 2 | 2 | Stabilizer | 33 | 1 | Flywheel Pulley/Axle |
| 3 | 1 | Seat Frame | 34 | 2 | Foam Grip |
| 4 | 1 | Magnet | 35 | 4 | M6 Washer |
| 5 | 4 | M8 x 65mm Carriage Bolt | 36 | 1 | 1/2-13 UNC Nylon Locknut |
| 6 | 1 | Left Handlebar | 37 | 1 | Backrest Frame Endcap |
| 7 | 1 | Right Handlebar | 38 | 1 | Strap Clamp |
| 8 | 1 | Left Pedal | 39 | 4 | M8 Locknut |
| 9 | 1 | Right Pedal | 40 | 3 | Side Shield Screw |
| 10 | 1 | Left Side Shield | 41 | 1 | Tension Spring |
| 11 | 1 | Right Side Shield | 42 | 1 | Clamp Screw |
| 12 | 2 | Handlebar Endcap | 43 | 1 | Resistance Spring |
| 13 | 4 | Stabilizer Endcap | 44 | 4 | 1/4" Washer |
| 14 | 1 | Drive Belt | 45 | 1 | Clamp Nut |
| 15 | 1 | Resistance Strap | 46 | 6 | M4 x 16mm Screw |
| 16 | 1 | Adjustment Knob | 47 | 4 | M6 x 52mm Button Head Screw |
| 17 | 1 | Seat Frame Bushing | 48 | 1 | Console |
| 18 | 1 | Frame Bushing | 49 | 1 | Reed Switch w/Wire |
| 19 | 4 | M6 x 34mm Button Head Bolt | 50 | 1 | M4 x 16mm Flat Head Screw |
| 20 | 1 | Backrest Frame | 51 | 1 | M10 Washer |
| 21 | 1 | Backrest | 52 | 6 | M6 Locknut |
| 22 | 1 | Crank/Pulley | 53 | 1 | Reed Switch Clamp |
| 23 | 1 | Roll Pin | 54 | 1 | Seat |
| 24 | 1 | Crank Washer | 55 | 8 | M6 x 16mm Round Head Screw |
| 25 | 2 | Half Bushing Set | 56 | 2 | M8 x 36mm Hex Head Bolt |
| 26 | 2 | Crank Bushing | 57 | 2 | M8 Lock Washer |
| 27 | 1 | Resistance Knob | 58 | 1 | Lower Seat Frame |
| 28 | 1 | Resistance Control/Cable | 59 | 1 | Pulse Monitor |
| 29 | 1 | Flywheel | # | 1 | User's Manual |
| 30 | 1 | M10 Nylon Locknut | # | 1 | Allen Wrench |
| 31 | 1 | Adjustment Sleeve/Bolt | # | 1 | Assembly Tool |

Note: “#” refers to a non-illustrated part. Specifications are subject to change without notice. See the back cover of this manual for information about ordering replacement parts.

EXPLODED DRAWING—Model No. WLBPEX20980

R0103A



HOW TO ORDER REPLACEMENT PARTS

To order replacement parts, contact the establishment where you purchased the product. To help us assist you, please be prepared to give the following information:

- The MODEL NUMBER of the product (WLBPEX20980).
- The NAME of the product (WESLO® PULSE SENSOR exercise cycle).
- The SERIAL NUMBER of the product (see the front cover of this manual).
- The KEY NUMBER and DESCRIPTION of the part(s) (see the PART LIST on page 10 of this manual).

WESLO is a registered trademark of ICON Health & Fitness, Inc.