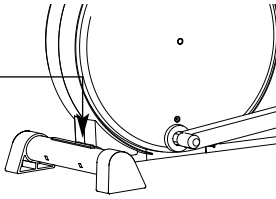


WESLO[®] MOMENTUM 700

Model No. WLEL19020

Serial No. _____

Serial
Number
Decal



USER'S MANUAL

QUESTIONS?

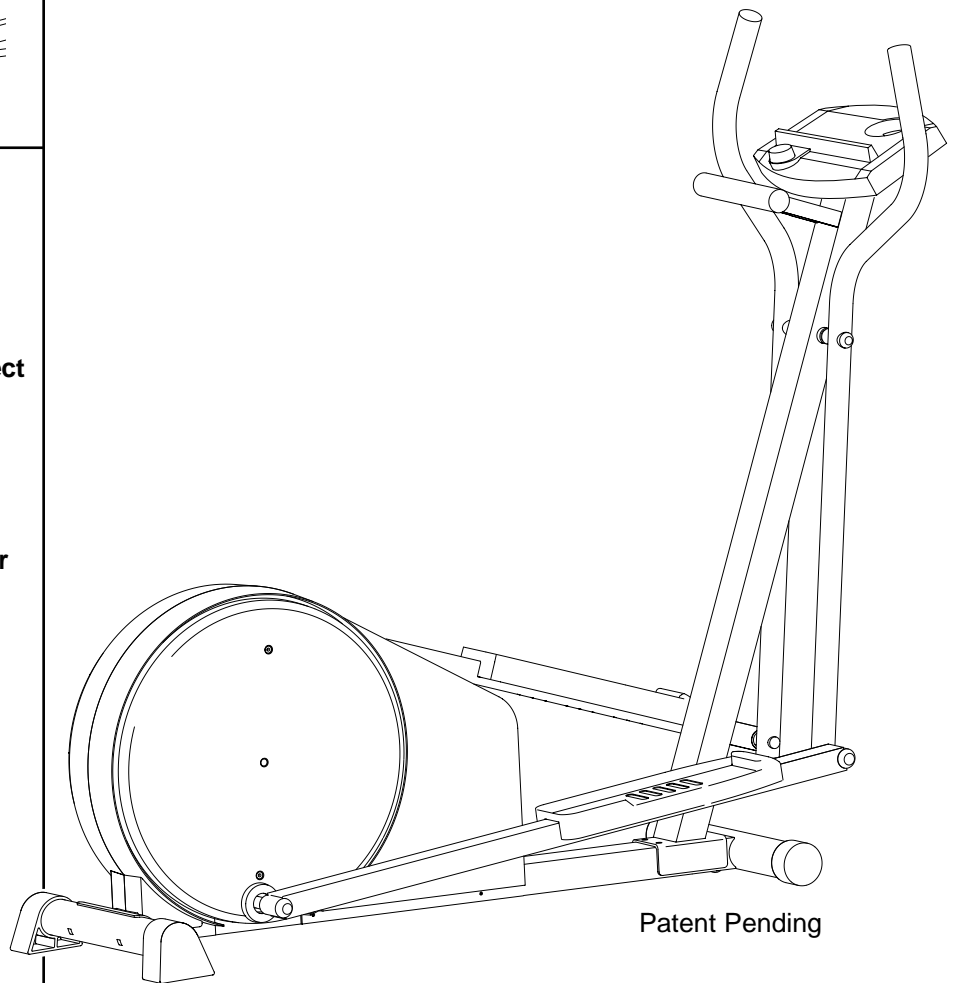
If you have questions, or if there are missing or damaged parts, we will guarantee complete satisfaction through direct assistance from our factory.

TO AVOID DELAYS, PLEASE CALL DIRECT TO OUR TOLL-FREE CUSTOMER HOT LINE. The trained technicians on our customer hot line will provide immediate assistance, free of charge.

CUSTOMER HOT LINE:

1-800-999-3756

Mon.-Fri., 6 a.m.-6 p.m. MST



Patent Pending

CAUTION

Read all precautions and instructions in this manual before using this equipment. Keep this manual for future reference.



Visit our website at

www.weslo.com

new products, prizes,
fitness tips, and much more!



TABLE OF CONTENTS

IMPORTANT PRECAUTIONS3
BEFORE YOU BEGIN4
PART IDENTIFICATION CHART5
ASSEMBLY6
HOW TO USE THE ELLIPTICAL9
MAINTENANCE11
CONDITIONING GUIDELINES12
PART LIST14
EXPLODED DRAWING15
HOW TO ORDER REPLACEMENT PARTSBack Cover
LIMITED WARRANTYBack Cover

IMPORTANT PRECAUTIONS

⚠ WARNING: To reduce the risk of serious injury, read the following important precautions before using the elliptical.

1. Read all instructions in this manual before using the elliptical.
2. Use the elliptical only as described in this manual.
3. It is the responsibility of the owner to ensure that all users of the elliptical are adequately informed of all precautions.
4. Place the elliptical on a level surface, with a mat beneath it to protect the floor or carpet. Keep the elliptical indoors, away from moisture and dust.
5. Inspect and properly tighten all parts regularly. Replace any worn parts immediately.
6. Keep children under the age of 12 and pets away from the elliptical at all times.
7. The elliptical should not be used by persons weighing more than 250 pounds.
8. Wear appropriate clothing when using the elliptical. Always wear athletic shoes for foot protection.
9. When mounting and dismounting the elliptical, always hold the handlebars or the T-handle and step onto and off the pedal that is in the lowest position.
10. Each time you stop exercising on the elliptical, allow the pedals to come to a complete stop before dismounting.
11. Always keep your back straight when using the elliptical. Do not arch your back.
12. If you feel pain or dizziness at any time while exercising, stop immediately and begin cooling down.
13. The elliptical is intended for in-home use only. Do not use the elliptical in a commercial, rental, or institutional setting.

⚠ WARNING: Before beginning this or any exercise program, consult your physician. This is especially important for persons over the age of 35 or persons with pre-existing health problems. Read all instructions before using. ICON assumes no responsibility for personal injury or property damage sustained by or through the use of this product.

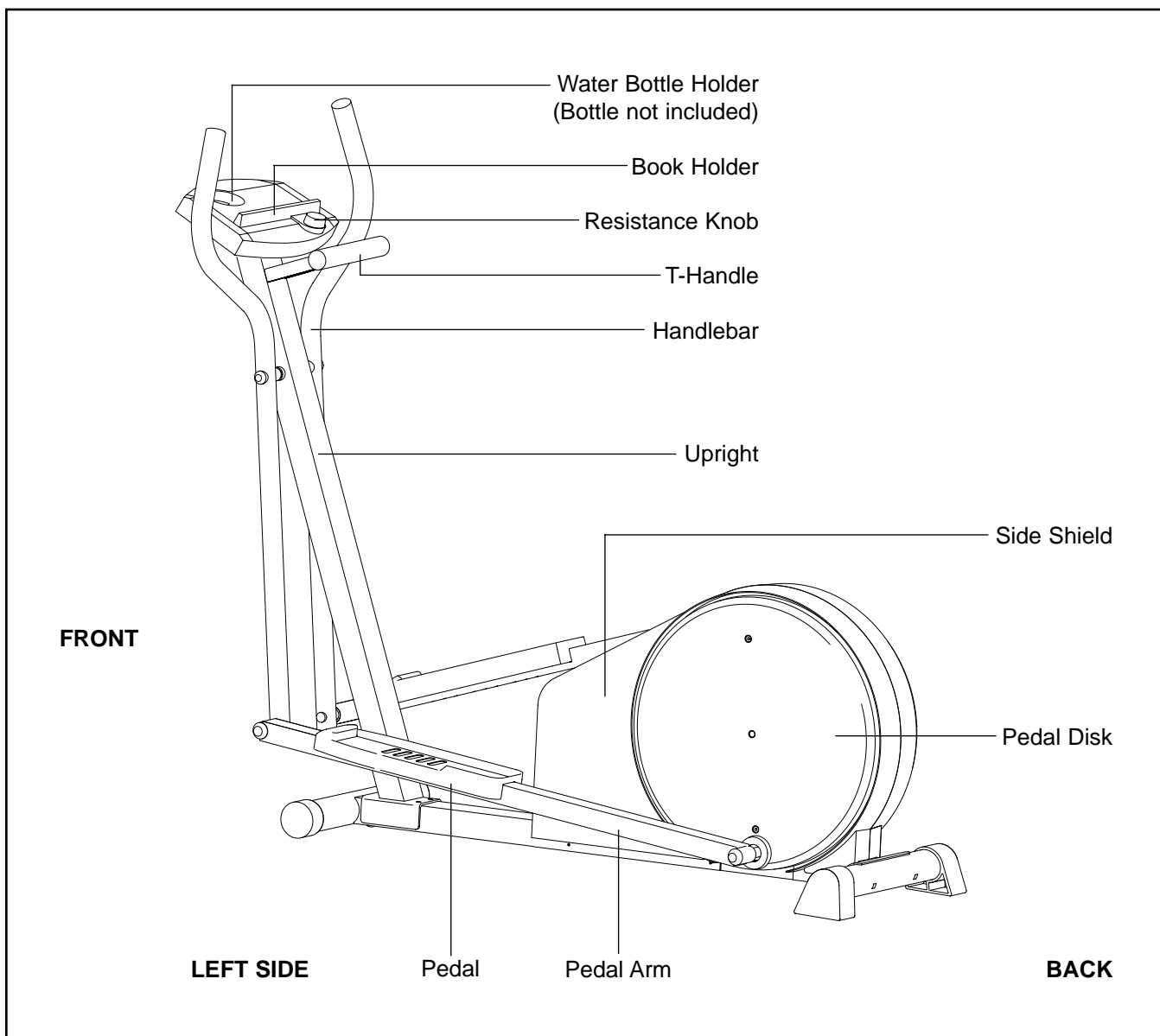
BEFORE YOU BEGIN

Congratulations for selecting the WESLO® MOMENTUM 700 low-impact elliptical exerciser. The MOMENTUM 700 is an incredibly smooth exerciser that moves your feet in a natural elliptical path, minimizing the impact on your knees and ankles. And the unique MOMENTUM 700 features adjustable resistance, upper-body and stationary handlebars, and a multi-mode exercise monitor to help you get the most from your exercise. Welcome to a whole new world of natural, elliptical-motion exercise from WESLO.

For your benefit, read this manual carefully before you use the elliptical. If you have questions after

reading the manual, call our Customer Service Department toll-free at 1-800-999-3756, Monday through Friday, 6 a.m. until 6 p.m. Mountain Time (excluding holidays). To help us assist you, please note the product model number and serial number before calling. The model number is WLEL19020. The serial number can be found on a decal attached to the elliptical (see the front cover of this manual for the location of the decal).

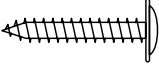
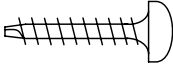
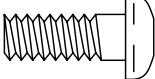
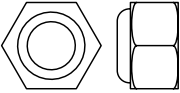

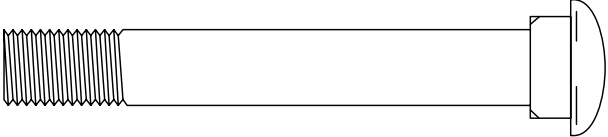
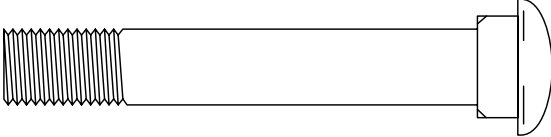
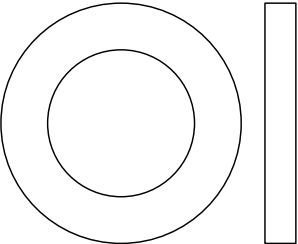
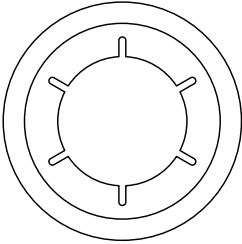
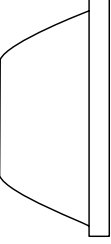
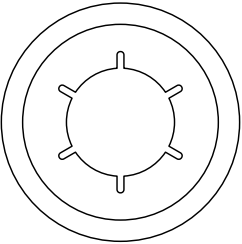
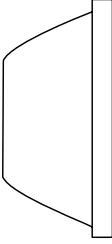
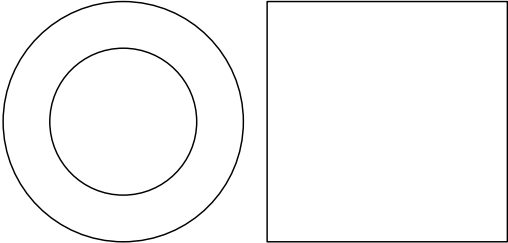
Before reading further, please familiarize yourself with the parts that are labeled in the drawing below.



PART IDENTIFICATION CHART

Use the chart below to identify the small parts used in assembly. The number in parenthesis below each part refers to the key number of the part, from the PART LIST on page 14. The number after the dash indicates

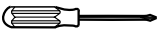


the quantity needed for assembly. **Note: Some small parts may have been pre-attached for shipping. If a part is not in the parts bag, check to see if it has been pre-attached.**

				
M4 x 19mm Flange Screw (9)—6	M4 x 16mm Screw (16)—4	M6 x 16mm Button Screw (54)—4	M6 Nylon Locknut (55)—2	M10 Nylon Locknut (29)—6
				
M10 x 75mm Carriage Bolt (47)—2		M10 x 68mm Carriage Bolt (60)—2		
				
Nylon Spacer (39)—2	3/4" Axle Cap (43)—4*		5/8" Axle Cap (57)—2*	
				
Pedal Arm Spacer (41)—2*				

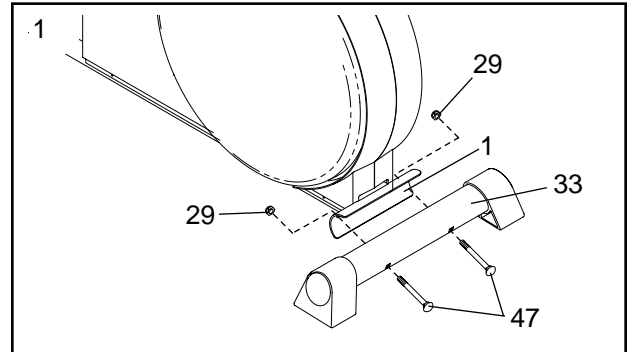
* Extra parts may be included.

ASSEMBLY

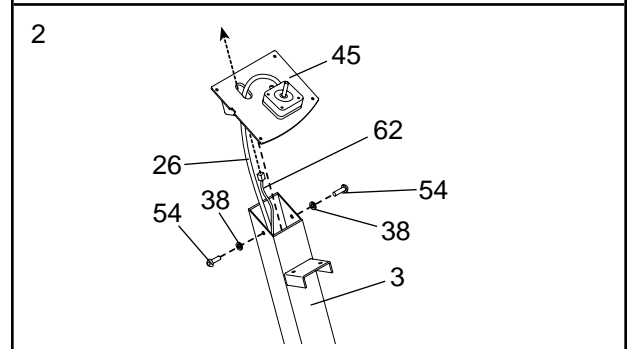
Assembly requires two people. Place all parts of the elliptical in a cleared area and remove the packing materials. Do not dispose of the packing materials until assembly is completed.

Assembly requires a phillips screwdriver , two adjustable wrenches , and a rubber mallet .

1. Attach the Rear Stabilizer (33) to the Frame (1) with two M10 x 75mm Carriage Bolts (47) and two M10 Nylon Locknuts (29).

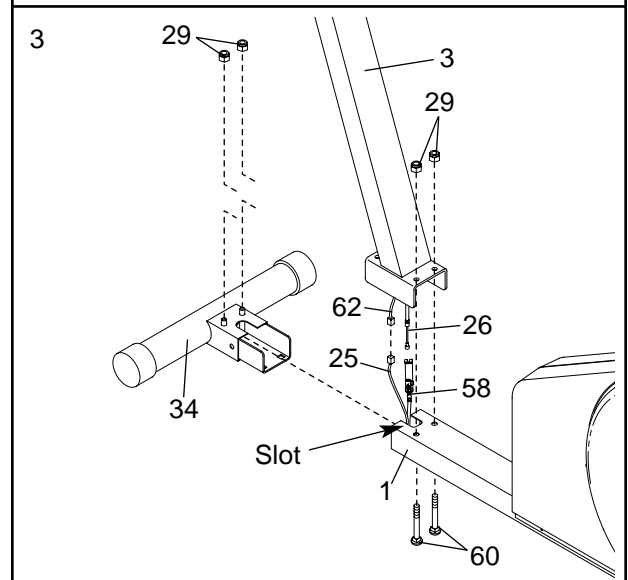


2. Hold the Console Bracket (45) near the Upright (3) and insert the Resistance Cable (26) down through the Upright. Feed the Extension Wire (62) up through the Console Bracket.



Attach the Console Bracket (45) to the Upright (3) with two M6 x 16mm Button Screws (54) and two M6 Split Washers (38). **Make sure not to pinch the Resistance Cable (26) or the Extension Wire (62).**

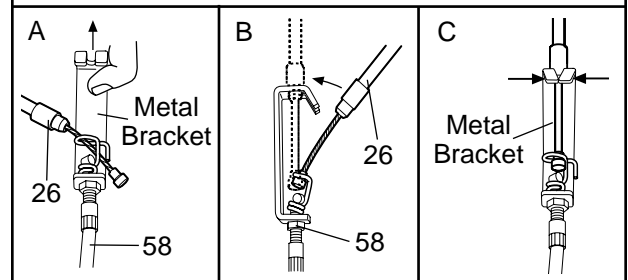
3. Making sure that the Reed Switch Wire (25) and the Resistance Cable (58) are in the indicated slot in the Frame (1), slide the Front Stabilizer (34) into the Frame. **Do not allow the Wire or the Cable to get pinched.**



While a second person holds the Upright (3) near the Frame (1), connect the Reed Switch Wire (25) to the Extension Wire (62). Next, connect the Resistance Cable (26) to the Lower Cable (58) in the following way:

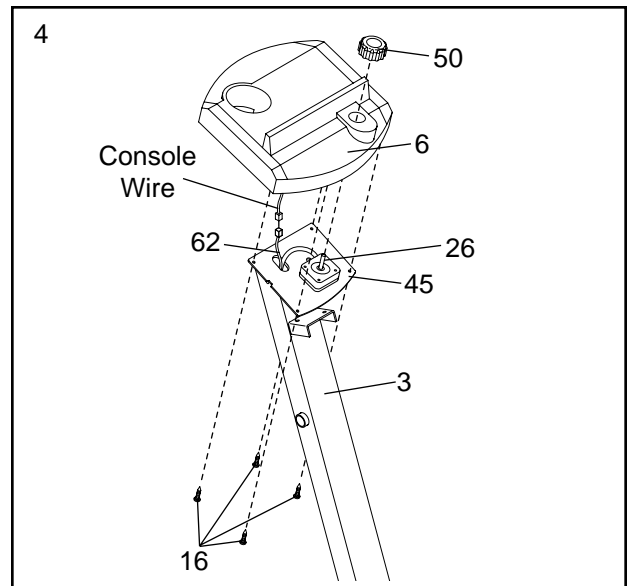
- Refer to drawing A. Pull up on the metal bracket, and insert the tip of the Resistance Cable (26) into the wire clip on the Lower Cable (58) as shown.
- Refer to drawing B. **Firmly** pull the Resistance Cable (26) and slide it into the metal bracket on the Lower Cable (58) as shown.
- Refer to drawing C. Using pliers, squeeze the prongs on the upper end of the metal bracket together.

Pull any slack Resistance Cable (26) out of the top of the Upright (3). Attach the Upright to the Front Stabilizer (34) with two M10 Nylon Locknuts (29). Attach the Upright to the Frame (1) with two M10 x 68mm Carriage Bolts (60) and two M10 Nylon Locknuts (29).



- While a second person holds the Console (6) near the Console Bracket (45), connect the Extension Wire (62) to the console wire. Make sure the slack Resistance Cable (26) is pulled out of the Upright (3).

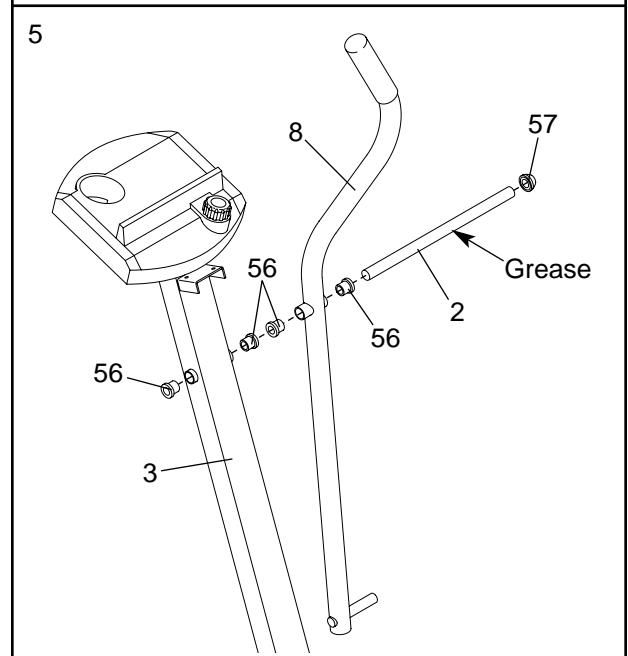
Attach the Console (6) to the Console Bracket (45) with four M4 x 16mm Screws (16). Push the Resistance Control Knob (50) onto the Resistance Control (26).



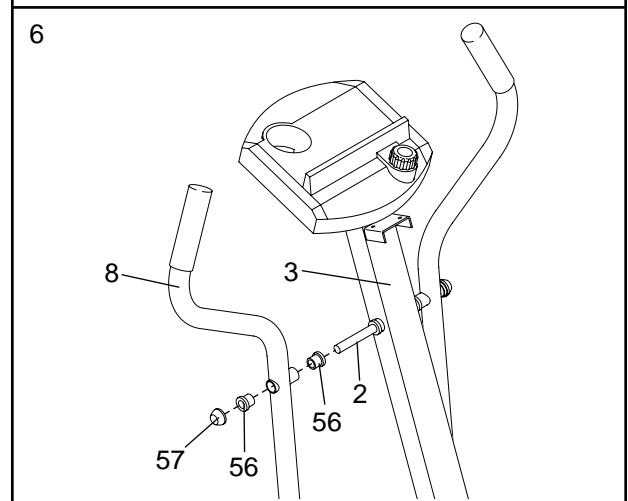
- Make sure that there are two Pivot Bushings (56) in each Handlebar (8) and in the Upright (3).

Tap a 5/8" Axle Cap onto one end of the Pivot Axle (2). Apply a thin film of the included grease to the Pivot Axle.

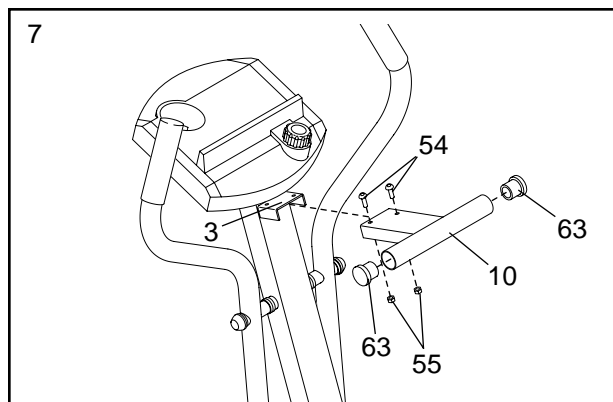
Insert the Pivot Axle (2) through one of the Handlebars (8) and the Upright (3).



- Slide the other Handlebar (8) onto the Pivot Axle (2). Secure the Handlebars to the Upright (3) by tapping a 5/8" Axle Cap (57) onto the end of the Pivot Axle.

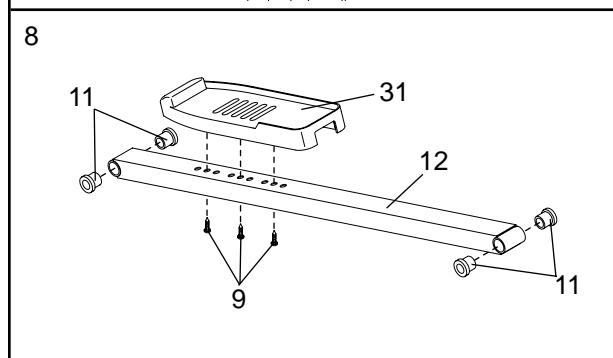


- Attach the T-handle (10) to the Upright (3) with two M6 x 16mm Button Screws (54) and two M6 Nylon Locknuts (55).



- Make sure that there are four Pedal Arm Bushings (11) in each Pedal Arm (12).

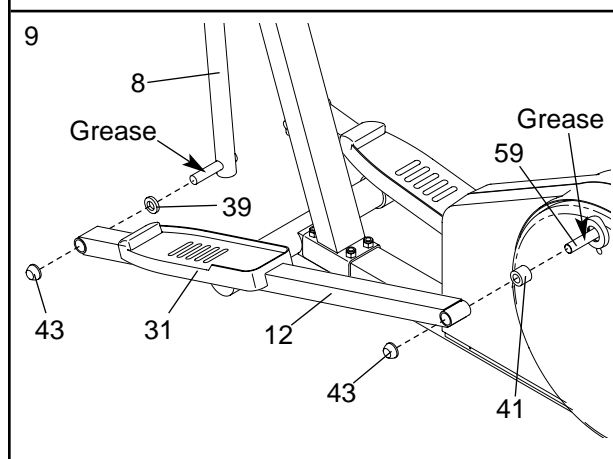
Identify the Left Pedal (31), which has an "L" molded into its bottom surface. Attach the Left Pedal to one of the Pedal Arms (12) using three M4 x 19mm Flange Screws (9).



Attach the Right Pedal (not shown) in the same way.

- Apply a thin film of grease to the left Handlebar (8) and the Crank Arm (59) in the indicated locations.

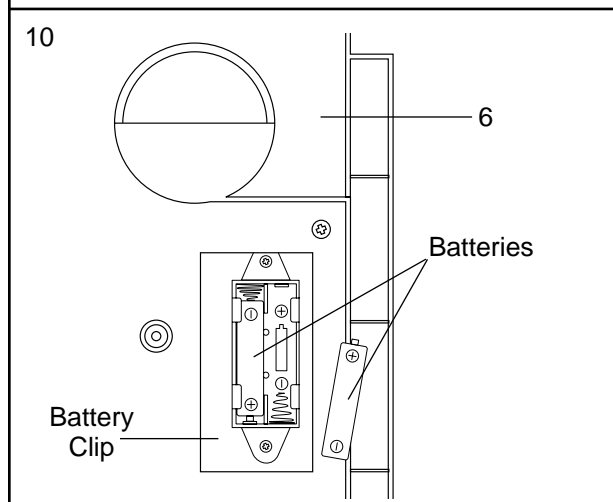
Slide a Nylon Spacer (39) onto the Handlebar (8) and a Pedal Arm Spacer (41) onto the Crank Arm (59). Next, slide the Pedal Arm (12) with the Left Pedal (31) onto the Handlebar and the Crank Arm. Secure the Pedal Arm by tapping one 3/4" Axle Cap (43) onto the Handlebar and another one onto the Crank Arm.



Attach the other Pedal Arm (not shown) to the right side of the elliptical in the same way.

- The Console (6) requires two "AA" batteries (not included). Alkaline batteries are recommended.

To install batteries, first locate the battery clip under the Console (6). Insert two batteries into the battery clip as shown. **Make sure that the batteries are turned so the negative ends of the batteries (marked "-") are touching the springs in the battery clip.**

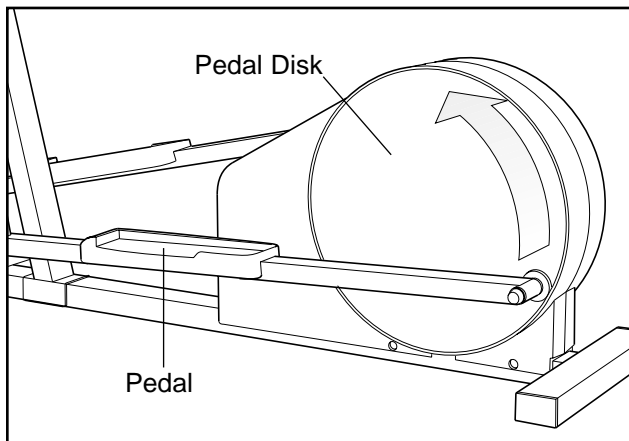


- Make sure that all parts of the elliptical are properly tightened.** Place a mat under the elliptical to protect the floor or carpet from damage.

HOW TO USE THE ELLIPTICAL

HOW TO EXERCISE ON THE ELLIPTICAL

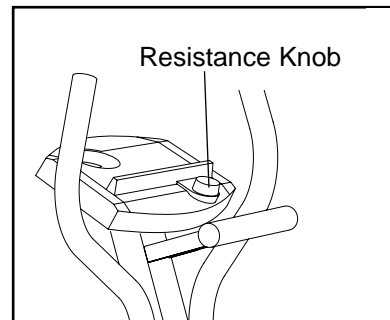
To mount the elliptical, firmly hold the handlebars or the T-handle and carefully step onto the pedal that is in the lowest position. Next, step onto the other pedal. Push the pedals until they begin to move with a continuous motion. **Note: The pedal disks can turn in either direction; it is recommended that you turn the pedal disks in the direction shown below; however, to give variety to your exercise, you may choose to turn the pedal disks in the opposite direction.**



To dismount the elliptical, allow the pedals to come to a complete stop. **CAUTION: The elliptical does not have a freewheel; the pedals will continue to move until the flywheel stops.** When the pedals are stationary, step off the highest pedal first. Then, step off the lowest pedal.

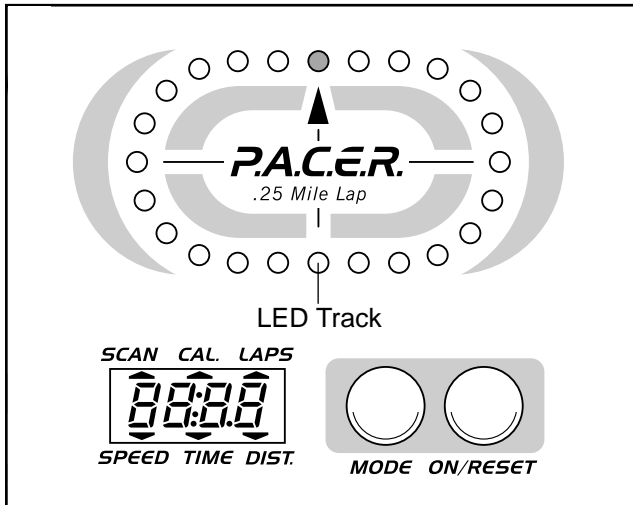
HOW TO ADJUST THE RESISTANCE OF THE PEDALS

As you exercise, you can adjust the resistance of the pedals with the resistance knob on the console. To increase the resistance, turn the knob clockwise; to decrease the resistance, turn the knob counterclockwise.



DESCRIPTION OF THE CONSOLE

The console is designed to help you get the most from your workouts. As you exercise, you can watch your progress around the LED track, while the display provides continuous exercise feedback. The six modes of the display are described below.



Speed—This mode displays your current exercise speed, in miles per hour.

Time—This mode displays the length of time you have exercised. Note: If you stop exercising, the time mode will pause until you resume.

Distance—This mode displays the total distance you have completed, in miles.

Laps—This mode displays the number of 1/4-mile laps you have completed around the LED track.

Calorie—This mode displays the approximate number of Calories you have burned.

Scan—This mode displays the speed, time, distance, laps, and calorie modes, for 5 seconds each, in a repeating cycle.

BATTERY INSTALLATION

Before the console can be operated, two “AA” batteries must be installed. If you have not installed batteries, see assembly step 10 on page 8.

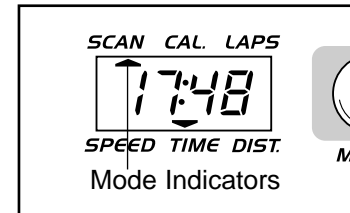
HOW TO OPERATE THE CONSOLE

If there is a thin sheet of clear plastic on the face of the console, remove it.

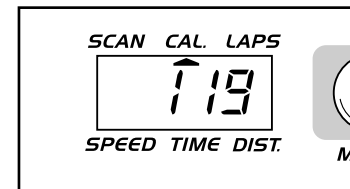
1. To turn on the power, press the on/reset button or simply begin exercising. When the power is turned on, one LED indicator will light in the LED track, and the entire display will appear for two seconds. The console will then be ready for operation.

2. Select one of the five modes:

Scan mode—When the power is turned on, the scan mode will automatically be selected. One mode indicator will show that the scan mode is selected, and a flashing mode indicator will show which mode is currently displayed. Note: If a different mode is selected, you can select the scan mode again by repeatedly pressing the mode button.



Speed, time, distance, laps, or calorie mode—To select one of these modes for continuous display, press the mode button repeatedly. The mode indicators will show which mode is selected. (Make sure that the scan mode is not selected.)



3. The LED track represents a distance of 1/4 mile. As you exercise, the indicators around the track will light one at a time until you have completed 1/4 mile. A new lap will then begin.

4. To reset the display, press the on/reset button.

5. To turn off the power, simply wait for about four minutes. **Note: The console has an “auto-off” feature. If the pedals are not moved and the console buttons are not pressed for four minutes, the power will turn off automatically in order to conserve the batteries.**

MAINTENANCE

Inspect and tighten all parts of the elliptical regularly. Replace any worn parts immediately.

The elliptical can be wiped clean with a soft cloth and mild detergent. **Do not use abrasives or solvents.** To prevent damage to the console, keep liquids away from the console. Use only a sealable water bottle in the console.

CONSOLE TROUBLESHOOTING

If the console does not function properly, the batteries should be replaced. To replace the batteries, refer to assembly step 10 on page 8.

STORAGE

When storing the elliptical, remove the batteries from the console. Keep the elliptical in a clean, dry location, away from moisture and dust.

CONDITIONING GUIDELINES

The following guidelines will help you to plan your exercise program. Remember that proper nutrition and adequate rest are essential for successful results.

⚠️ WARNING: Before beginning this or any exercise program, consult your physician. This is especially important for persons over the age of 35 or persons with pre-existing health problems.

EXERCISE INTENSITY

Whether your goal is to burn fat or to strengthen your cardiovascular system, the key to achieving the desired results is to exercise with the proper intensity. The proper intensity level can be found by using your heart rate as a guide. The chart below shows recommended heart rates for fat burning, maximum fat burning, and cardiovascular (aerobic) exercise.

HEART RATE TRAINING ZONES								
MIN ♥	125	120	115	110	105	95	90	Fat Burn
BPM	145	138	130	125	118	110	103	Max Burn
MAX ♥	165	155	145	140	130	125	115	Aerobic
AGE	20	30	40	50	60	70	80	

To find the proper heart rate for you, first find your age at the bottom of the chart (ages are rounded off to the nearest ten years). Next, find the three numbers above your age. The three numbers are your “training zone.” The smallest number is the recommended heart rate for fat burning; the middle number is the heart rate for maximum fat burning; the largest number is the heart rate for aerobic exercise.

Burning Fat

To burn fat effectively, you must exercise at a relatively low intensity level for a sustained period of time. During the first few minutes of exercise, your body uses easily accessible carbohydrate calories for ener-

gy. Only after the first few minutes of exercise does your body begin to use stored fat calories for energy. If your goal is to burn fat, adjust the intensity of your exercise until your heart rate is near the smallest number in your training zone as you exercise.

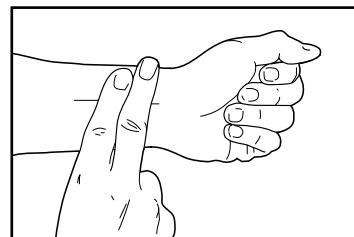
For maximum fat burning, adjust the intensity of your exercise until your heart rate is near the middle number in your training zone as you exercise.

Aerobic Exercise

If your goal is to strengthen your cardiovascular system, your exercise must be “aerobic.” Aerobic exercise is activity that requires large amounts of oxygen for prolonged periods of time. This increases the demand on the heart to pump blood to the muscles, and on the lungs to oxygenate the blood. For aerobic exercise, adjust the intensity of your exercise until your heart rate is near the largest number in your training zone.

HOW TO MEASURE YOUR HEART RATE

To measure your heart rate, first exercise for at least four minutes. Then, stop exercising and place two fingers on your wrist as shown.



Take a six-second heartbeat count, and multiply the result by 10 to find your heart rate. For example, if your six-second heartbeat count is 14, your heart rate is 140 beats per minute. (A six-second count is used because your heart rate will drop rapidly when you stop exercising.)

WORKOUT GUIDELINES

Each workout should include the following three important parts:

A warm-up, consisting of 5 to 10 minutes of stretching and light exercise. (See page 13.) A proper warm-up increases your body temperature, heart rate, and circulation in preparation for exercise.

Training zone exercise, consisting of 20 to 30 minutes of exercising with your heart rate in your training zone. (During the first few weeks of your exercise program, do not keep your heart rate in your training zone for longer than 20 minutes.)

A cool-down, with 5 to 10 minutes of stretching. This will increase the flexibility of your muscles and will help to prevent post-exercise problems.

EXERCISE FREQUENCY

To maintain or improve your condition, plan three workouts each week, with at least one day of rest between workouts. After a few months of regular exercise, you may plan up to five workouts each week, if desired.

CAUTION: Make sure to progress at your own pace and avoid overdoing it. Incorrect or excessive training may result in injury to your health.

Remember, the key to success is make exercise a regular and enjoyable part of your everyday life.

SUGGESTED STRETCHES

The correct form for several basic stretches is shown at the right. Move slowly as you stretch—never bounce.

1. Toe Touch Stretch

Stand with your knees bent slightly and slowly bend forward from your hips. Allow your back and shoulders to relax as you reach down toward your toes as far as possible. Hold for 15 counts, then relax. Repeat 3 times. Stretches: Hamstrings, back of knees, and back.

2. Hamstring Stretch

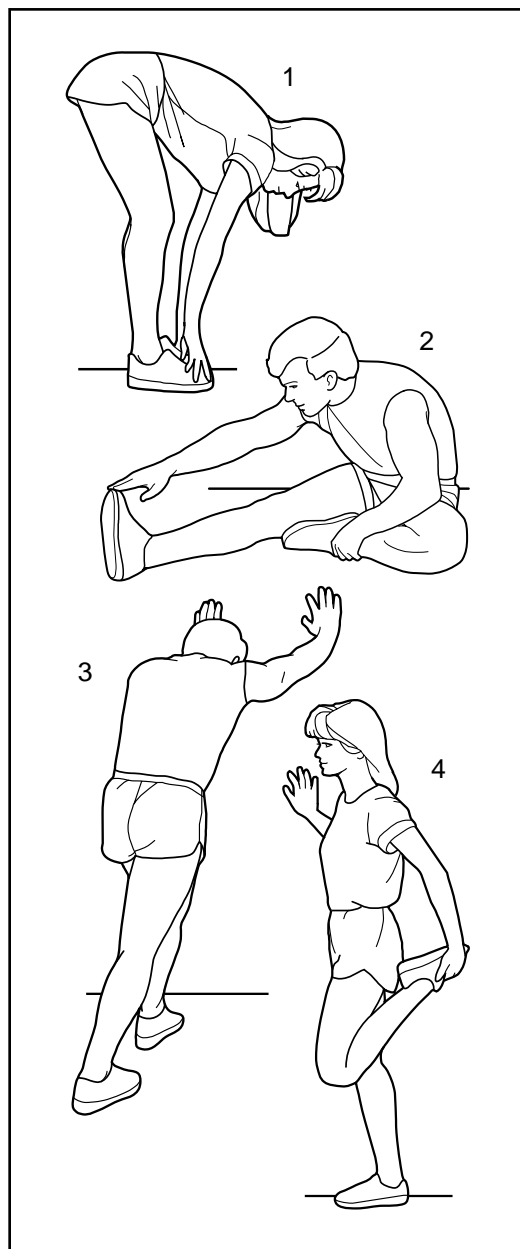
Sit with one leg extended. Bring the sole of the opposite foot toward you and rest it against the inner thigh of your extended leg. Reach toward your toes as far as possible. Hold for 15 counts, then relax. Repeat 3 times for each leg. Stretches: Hamstrings, lower back, and groin.

3. Calf/Achilles Stretch

With one leg in front of the other, reach forward and place your hands against a wall. Keep your back leg straight and your back foot flat on the floor. Bend your front leg, lean forward and move your hips toward the wall. Hold for 15 counts, then relax. Repeat 3 times for each leg. To cause further stretching of the achilles tendons, bend your back leg as well. Stretches: Calves, achilles tendons, and ankles.

4. Quadriceps Stretch

With one hand against a wall for balance, reach back and grasp one foot with your other hand. Bring your heel as close to your buttocks as possible. Hold for 15 counts, then relax. Repeat 3 times for each leg. Stretches: Quadriceps and hip muscles.



PART LIST—Model No. WLEL19020

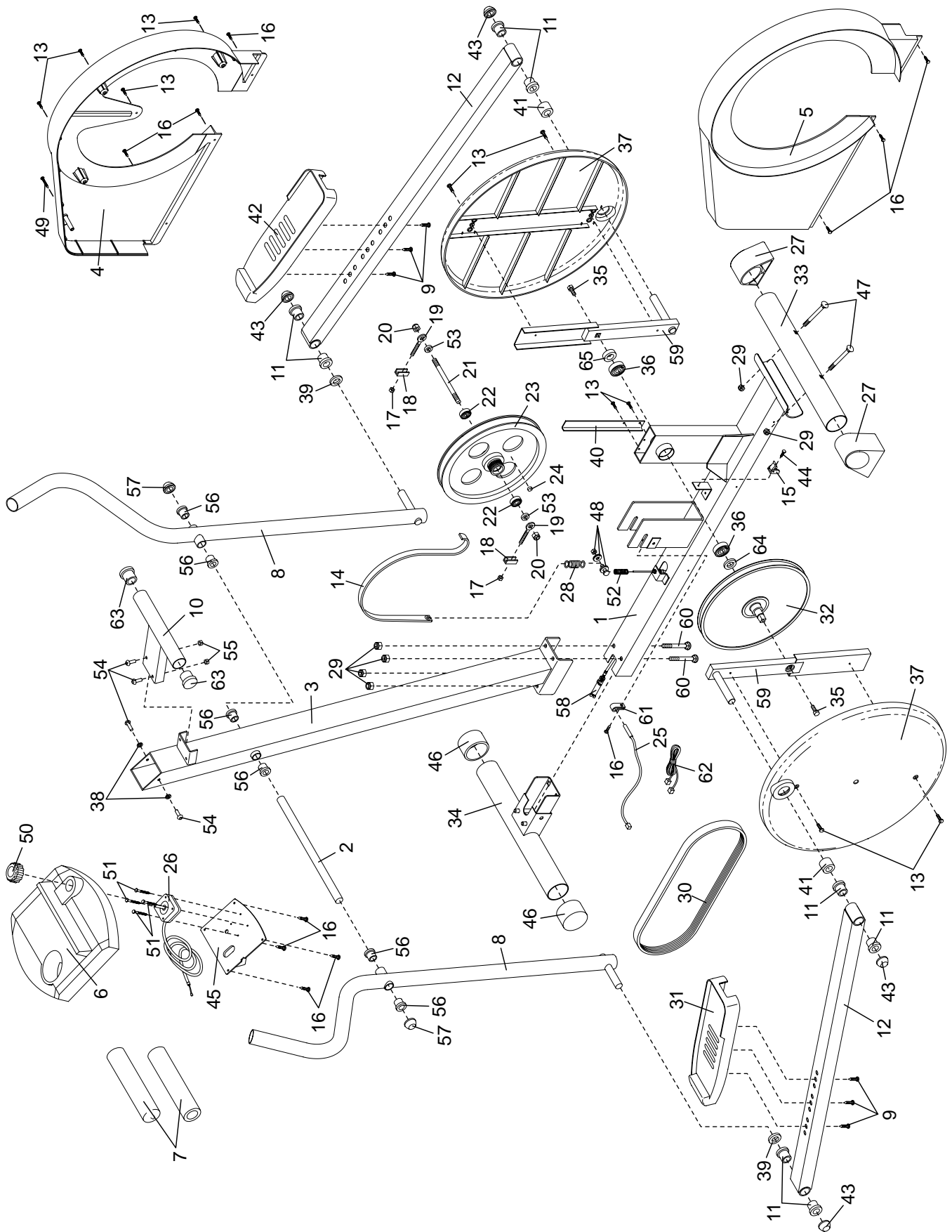
R0802A

Key No.	Qty.	Description	Key No.	Qty.	Description
1	1	Frame	36	2	Pulley Bearing
2	1	Pivot Axle	37	2	Pedal Disk
3	1	Upright	38	2	M6 Split Washer
4	1	Right Side Shield	39	2	Nylon Spacer
5	1	Left Side Shield	40	1	Side Shield Bracket
6	1	Console	41	2*	Pedal Arm Spacer
7	2	Foam Handlebar Grip	42	1	Right Pedal
8	2	Handlebar	43	4*	3/4" Axle Cap
9	6	M4 x 19mm Flange Screw	44	1	M4 x 16mm Flat Screw
10	1	T-handle	45	1	Console Bracket
11	8	Pedal Arm Bushing	46	2	Front Stabilizer Endcap
12	2	Pedal Arm	47	2	M10 x 75mm Carriage Bolt
13	10	M5 x 16mm Button Screw	48	1	Cable Clamp Assembly
14	1	Resistance Strap	49	1	M4 x 64mm Button Screw
15	1	Strap Buckle	50	1	Resistance Control Knob
16	11	M4 x 16mm Screw	51	4	M5 x 28mm Button Screw
17	2	M6 Nut	52	1	Return Spring
18	2	Adjustment Bracket	53	2	8.5 Washer
19	2	Eyebolt	54	4	M6 x 16mm Button Screw
20	2	M8 Nylon Jam Nut	55	2	M6 Nylon Locknut
21	1	Flywheel Axle	56	6	Pivot Bushing
22	2	Flywheel Bearing	57	2*	5/8" Axle Cap
23	1	Flywheel	58	1	Lower Cable
24	1	Magnet	59	2	Crank Arm
25	1	Reed Switch/Wire	60	2	M10 x 68mm Carriage Bolt
26	1	Resistance Control/Cable	61	1	Reed Switch Clamp
27	2	Rear Stabilizer Endcap	62	1	Extension Wire
28	1	Tension Spring	63	2	T-handle Endcap
29	6	M10 Nylon Locknut	64	1	Plastic Washer
30	1	Belt	65	1	Crank Arm Plastic Spacer
31	1	Left Pedal	#	1	Grease Packet
32	1	Pulley w/Shaft	#	1	User's Manual
33	1	Rear Stabilizer	#	2	Side Shield Decal
34	1	Front Stabilizer	#	1	Warning Decal
35	2	5/16" Zinc Bolt	#	1	Hardware Kit

Note: “#” indicates a non-illustrated part. “*” indicates that an extra part may be included. Specifications are subject to change without notice. See the back cover of this manual for information about ordering replacement parts.

EXPLODED DRAWING—Model No. WLEL19020

R0802A



HOW TO ORDER REPLACEMENT PARTS

To order replacement parts, simply call our Customer Service Department toll-free at 1-800-999-3756, Monday through Friday, 6 a.m. until 6 p.m. Mountain Time (excluding holidays). To help us assist you, please be prepared to give the following information when calling:

- The MODEL NUMBER of the product (WLEL19020)
- The NAME of the product (WESLO® MOMENTUM 700 elliptical)
- The SERIAL NUMBER of the product (see the front cover of this manual)
- The KEY NUMBER and DESCRIPTION of the part(s) from page 14 of this manual

LIMITED WARRANTY

ICON Health & Fitness, Inc. (ICON) warrants this product to be free from defects in workmanship and material, under normal use and service conditions, for a period of ninety (90) days from the date of purchase. This warranty extends only to the original purchaser. ICON's obligation under this warranty is limited to replacing or repairing, at ICON's option, the product at one of its authorized service centers. All products for which warranty claim is made must be received by ICON at one of its authorized service centers with all freight and other transportation charges prepaid, accompanied by sufficient proof of purchase. All returns must be pre-authorized by ICON. This warranty does not extend to any product or damage to a product caused by or attributable to freight damage, abuse, misuse, improper or abnormal usage or repairs not provided by an ICON authorized service center, to products used for commercial or rental purposes, or to products used as store displays. No other warranty beyond that specifically set forth above is authorized by ICON.

ICON is not responsible or liable for indirect, special or consequential damages arising out of or in connection with the use or performance of the product or damages with respect to any economic loss, loss of property, loss of revenues or profits, loss of enjoyment or use, costs of removal, installation or other consequential damages of whatsoever nature. Some states do not allow the exclusion or limitation of incidental or consequential damages. Accordingly, the above limitation may not apply to you.

The warranty extended hereunder is in lieu of any and all other warranties and any implied warranties of merchantability or fitness for a particular purpose is limited in its scope and duration to the terms set forth herein. Some states do not allow limitations on how long an implied warranty lasts. Accordingly, the above limitation may not apply to you.

This warranty gives you specific legal rights. You may also have other rights which vary from state to state.

ICON HEALTH & FITNESS, INC., 1500 S. 1000 W., LOGAN, UT 84321-9813