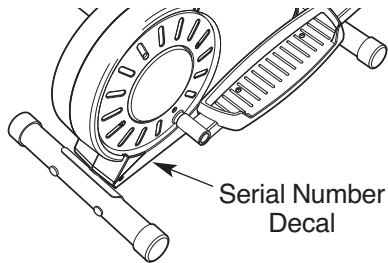


WESLO[®]

momentum 7.0 EX

Model No. WLEL2904.1

Serial No. _____



USER'S MANUAL

QUESTIONS?

As a manufacturer, we are committed to providing complete customer satisfaction. If you have questions, or if parts are damaged or missing, PLEASE CONTACT OUR CUSTOMER SERVICE DEPARTMENT DIRECTLY.

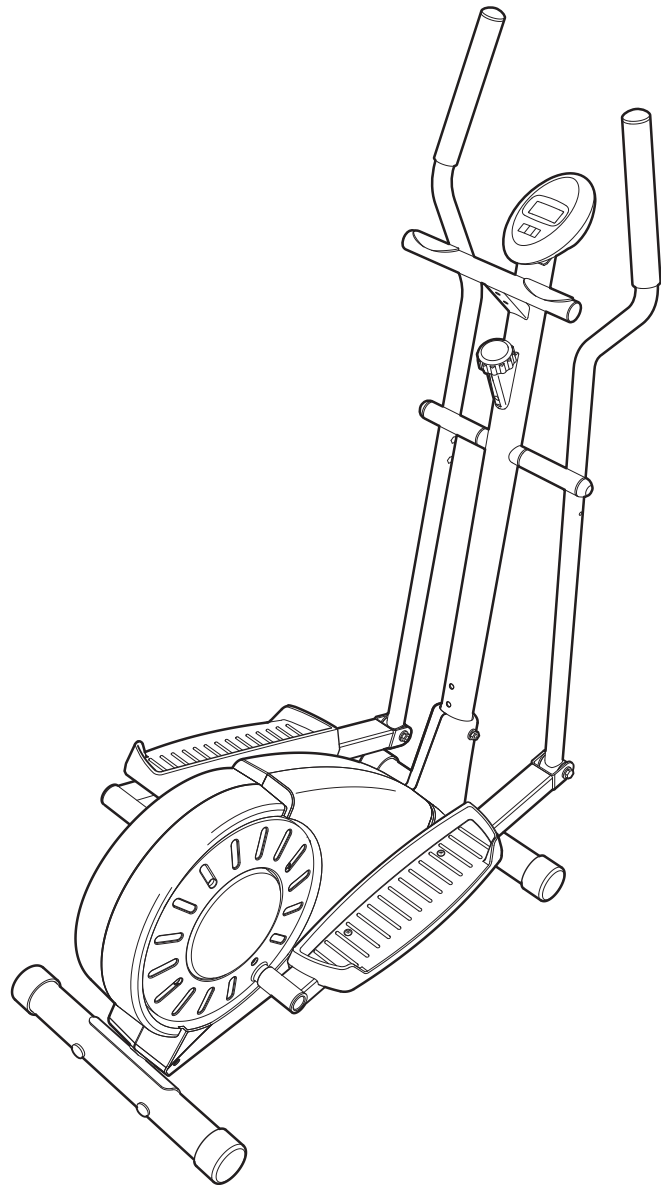
CALL TOLL-FREE:

1-866-699-3756

Mon.-Fri., 6 a.m.-6 p.m. MST

ON THE WEB:

www.wesloservice.com



⚠ CAUTION

Read all precautions and instructions in this manual before using this equipment. Keep this manual for future reference.



Visit our website at

www.weslo.com

new products, prizes,
fitness tips, and much more!

WESLO®

momentum 7.0 EX

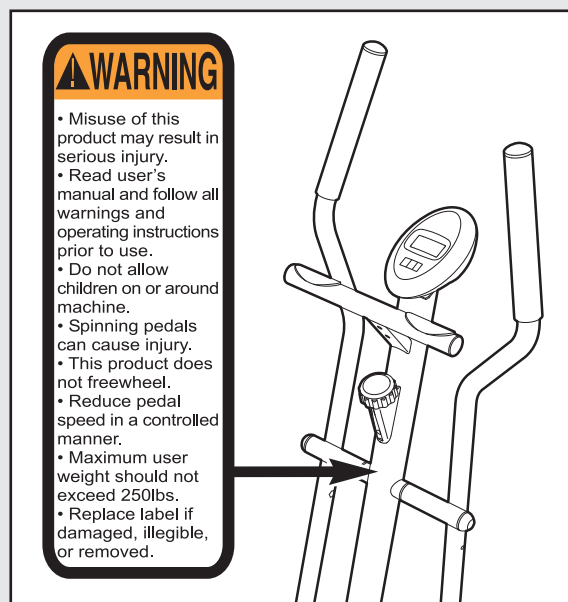
TABLE OF CONTENTS

IMPORTANT PRECAUTIONS	3
BEFORE YOU BEGIN	4
ASSEMBLY	5
HOW TO USE THE ELLIPTICAL EXERCISER	9
MAINTENANCE AND TROUBLESHOOTING	11
CONDITIONING GUIDELINES	13
PART LIST	14
EXPLODED DRAWING	15
HOW TO ORDER REPLACEMENT PARTS	Back Cover
LIMITED WARRANTY	Back Cover

IMPORTANT PRECAUTIONS

⚠ WARNING: To reduce the risk of serious injury, read the following important precautions before using the elliptical exerciser.

1. Read all instructions in this manual and all warnings on the elliptical exerciser before using the elliptical exerciser.
2. Use the elliptical exerciser only as described in this manual.
3. It is the responsibility of the owner to ensure that all users of the elliptical exerciser are adequately informed of all precautions.
4. The elliptical exerciser is intended for home use only. Do not use the elliptical exerciser in a commercial, rental, or institutional setting.
5. Keep the elliptical exerciser indoors, away from moisture and dust. Place the elliptical exerciser on a level surface, with a mat beneath it to protect the floor or carpet. Make sure that there is enough clearance around the elliptical exerciser to mount, dismount, and use the elliptical exerciser.
6. Inspect and properly tighten all parts regularly. Replace any worn parts immediately.
7. Keep children under the age of 12 and pets away from the elliptical exerciser at all times.
8. Wear appropriate clothes when exercising; do not wear loose clothes that could become caught on the elliptical exerciser. Always wear athletic shoes for foot protection.
9. The elliptical exerciser should not be used by persons weighing more than 250 pounds.
10. The pulse sensor is not a medical device. Various factors, including the user's movement, may affect the accuracy of heart rate readings. The pulse sensor is intended only as an exercise aid in determining heart rate trends in general.
11. Always keep your back straight when using the elliptical exerciser; do not arch your back.
12. If you feel pain or dizziness while exercising, stop immediately and cool down.
13. The elliptical exerciser does not have a free-wheel; the pedals will continue to move until the flywheel stops.
14. The decal shown below has been placed on the elliptical exerciser. If the decal is missing, or if it is not legible, call the toll-free telephone number on the front cover of this manual and order a free replacement decal. Apply the decal in the location shown.



⚠ WARNING: Before beginning this or any exercise program, consult your physician. This is especially important for persons over the age of 35 or persons with pre-existing health problems. Read all instructions before using. ICON assumes no responsibility for personal injury or property damage sustained by or through the use of this product.

BEFORE YOU BEGIN

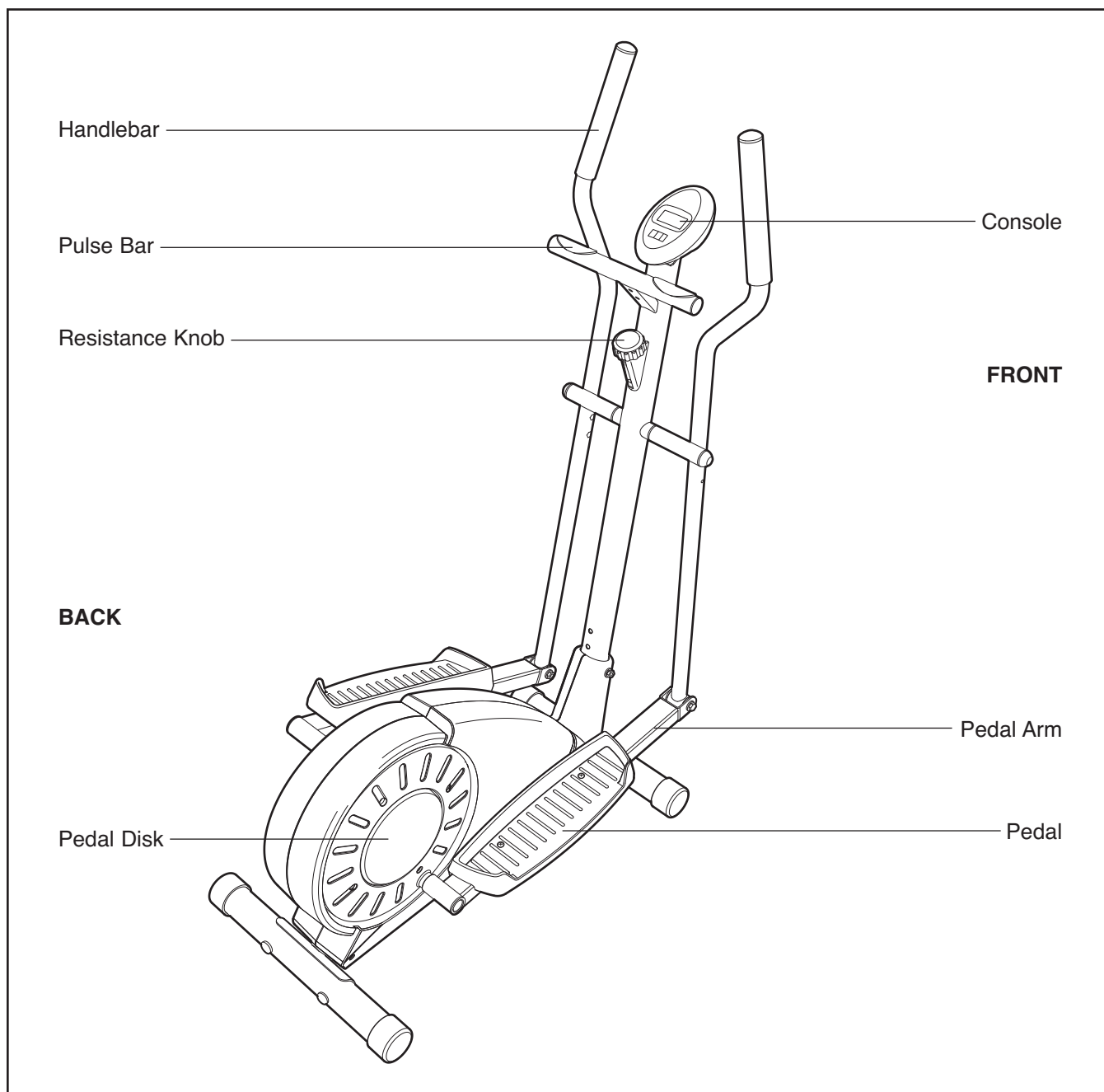
Congratulations for selecting the new WESLO® MOMENTUM 7.0 EX elliptical exerciser. The elliptical exerciser is an incredibly smooth exerciser that moves your feet in a natural elliptical path, minimizing the impact on your knees and ankles. And the unique MOMENTUM 7.0 EX features adjustable resistance and a simple-to-use console to help you get the most from your exercise.

For your benefit, read this manual carefully before you use the elliptical exerciser. If you have questions after reading this manual, see the front cover of

this manual. To help us assist you, please note the product model number and serial number before calling. The model number is WLEL2904.1. The serial number can be found on a decal attached to the elliptical exerciser (see the front cover of this manual).




To avoid a registration fee for any service needed under warranty, you must register the elliptical exerciser at www.wesloservice.com/registration.

Before reading further, please familiarize yourself with the parts that are labeled in the drawing below.

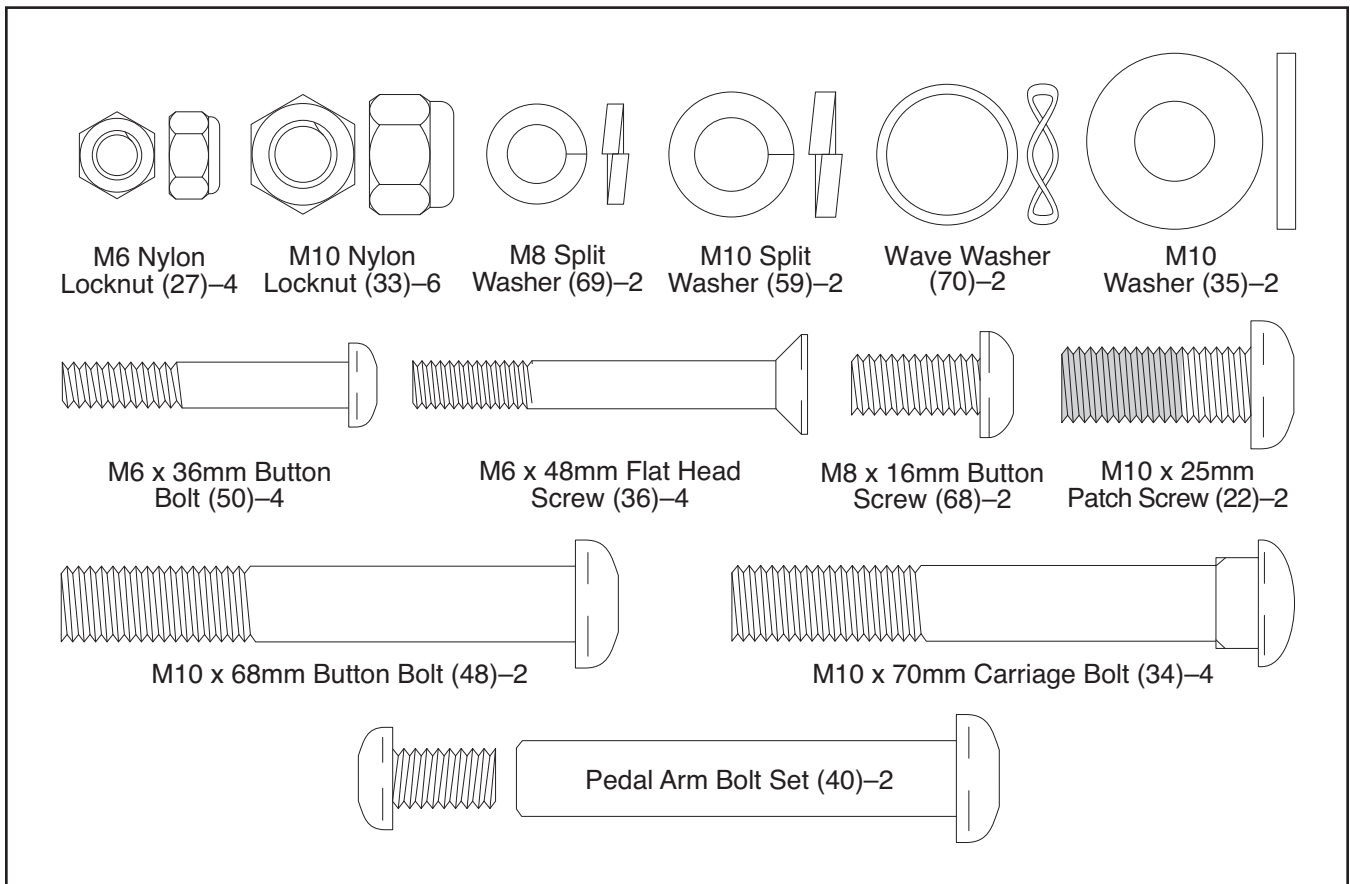


ASSEMBLY

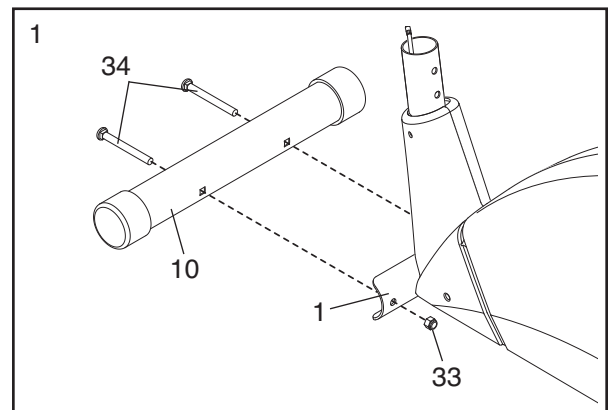
To hire an authorized service technician to assemble the elliptical exerciser, call toll-free 1-800-445-2480.

Assembly requires two persons. Place all parts of the elliptical exerciser in a cleared area and remove the packing materials. Do not dispose of the packing materials until assembly is completed. **In addition to the included allen wrenches, assembly requires a Phillips screwdriver** , **an adjustable wrench** , **and a rubber mallet** .

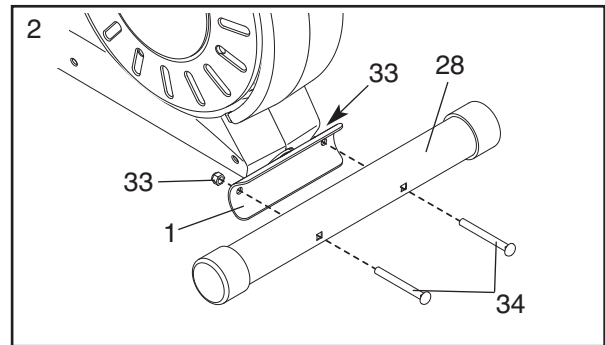
Use the drawings below to identify the small parts used for assembly. The number in parenthesis below each drawing is the key number of the part, from the PART LIST on page 14. The number following the key number is the quantity needed for assembly. **Note: Some small parts may have been pre-assembled. If a part is not in the parts bag, check to see if it has been pre-assembled.**



1. Identify the Front Stabilizer (10), which is narrower than the Rear Stabilizer (not shown). While another person lifts the front of the Frame (1), attach the Front Stabilizer to the Frame with two M10 x 70mm Carriage Bolts (34) and two M10 Nylon Locknuts (33).

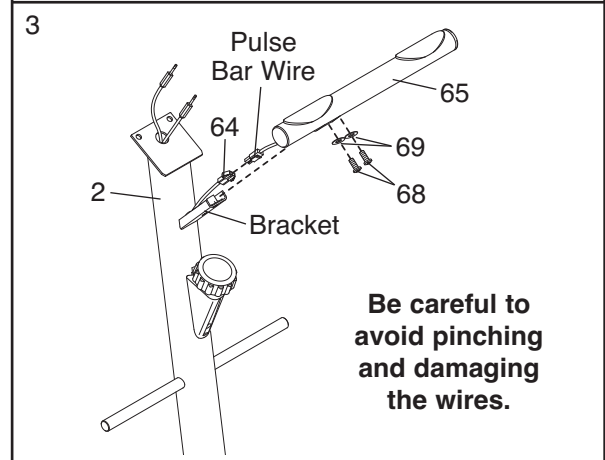


2. While another person lifts the back of the Frame (1), attach the Rear Stabilizer (28) to the Frame with two M10 x 70mm Carriage Bolts (34) and two M10 Nylon Locknuts (33).

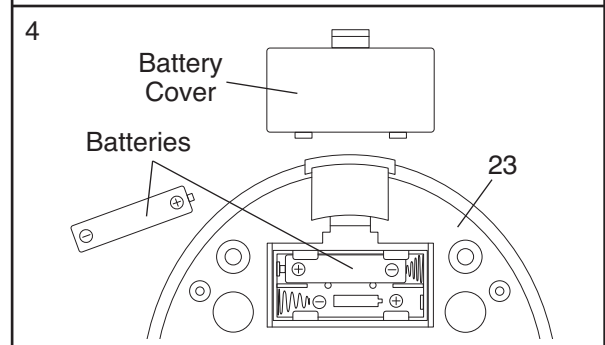


3. While another person holds the Pulse Bar (65) near the Upright (2), connect the Pulse Wire (64) to the pulse bar wire.

Slide the Pulse Bar (65) onto the indicated bracket on the Upright (2). Attach the Pulse Bar with two M8 x 16mm Button Screws (68) and two M8 Split Washers (69). **Be careful to avoid pinching the wires.**



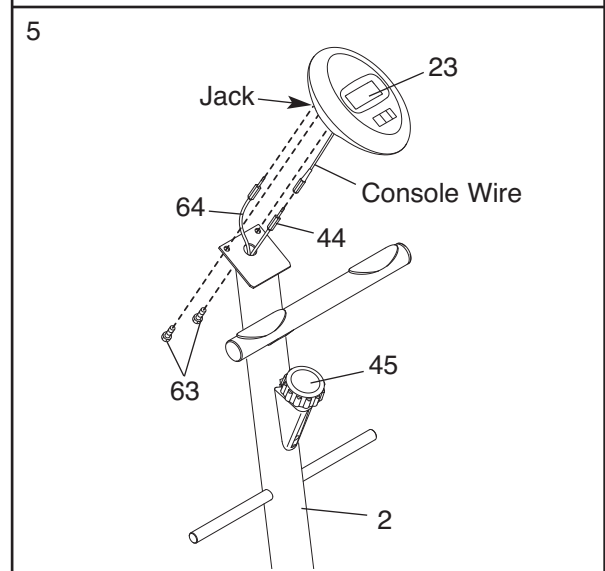
4. The Console (23) requires two “AAA” batteries (not included); alkaline batteries are recommended. Remove the battery cover from the back of the Console. Insert two batteries into the battery compartment. **Make sure that the batteries are oriented as shown by the diagram inside of the battery compartment.** Reattach the battery cover.



5. Have another person hold the Console (23) near the Upright (2). Identify the Speed Wire (44), which is thinner than the Pulse Wire (64). Plug the Speed Wire into the wire attached to the Console. Next, plug the Pulse Wire into the jack on the back of the Console. Insert the excess wire down into the Upright.

Attach the Console (23) to the Upright (2) with the two Console Screws (63) included with the Console. **Be careful to avoid pinching the wires.**

Turn the Resistance Knob (45) counterclockwise to the lowest setting before continuing to the next step.



6. While another person holds the Upright (2) near the Frame (1), connect the Speed Wire (44) to the Reed Switch Wire (53). Next, connect the Resistance Cable (63) to the Lower Cable (55) in the following way:

- See drawing A. Pull up on the metal bracket on the Lower Cable (55), and insert the tip of the Resistance Cable (63) into the wire clip inside of the metal bracket.
- See drawing B. **Firmly** pull the Resistance Cable (63) and slide it into the metal bracket on the Lower Cable (55) as shown.
- See drawing C. Using pliers, squeeze together the prongs on the upper end of the metal bracket.

Push the excess cable and wire down into the Frame (1). Slide the Upright (2) onto the Frame. **Be careful not to pinch the wires or cables.** Attach the Upright to the Frame with two M10 x 68mm Button Bolts (48), two M10 Split Washers (59), and two M10 Nylon Locknuts (33). **Do not tighten the Button Bolts yet.**

7. Identify the Left Handlebar (6), which is marked with a sticker. Insert the Left Handlebar into one of the Handlebar Arms (5); **make sure that the Handlebar Arm is turned so the hexagonal holes are on the indicated side.** Attach the Left Handlebar to the Handlebar Arm with two M6 x 36mm Button Bolts (50) and two M6 Nylon Locknuts (27). **Make sure that the Nylon Locknuts are inside of the hexagonal holes. Do not fully tighten the Button Bolts yet.**

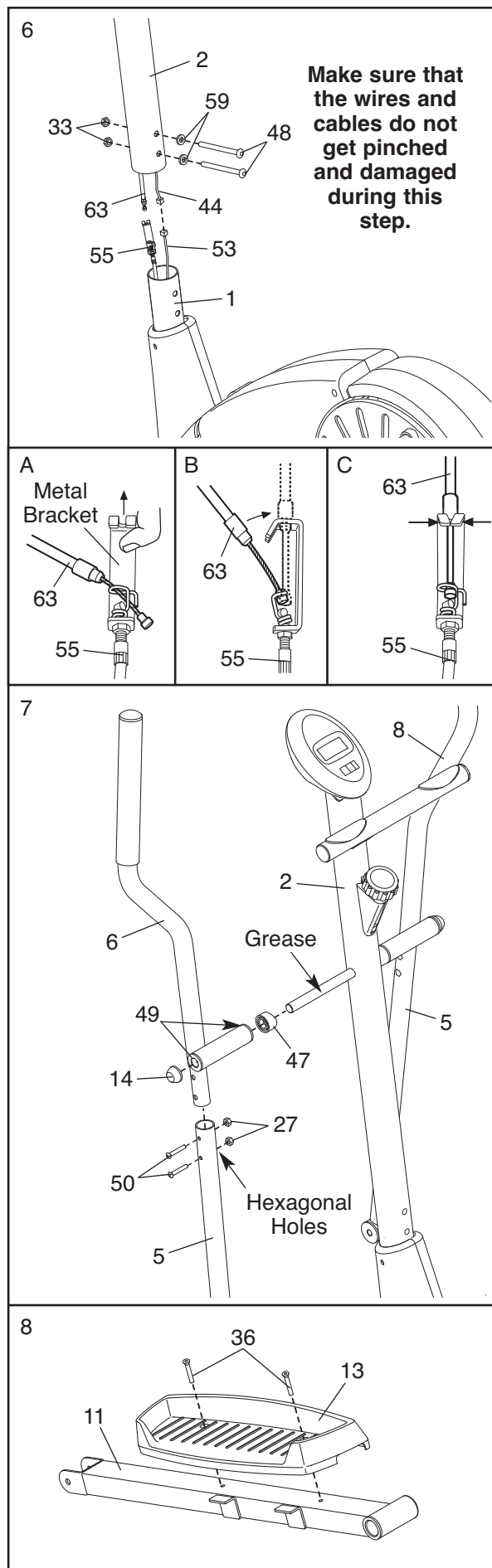
Apply a small amount of the included grease to the left axle on the Upright (2).

Make sure that there are two Small Handlebar Bushings (49) in the Left Handlebar (6). Slide a Handlebar Spacer (47) and the Left Handlebar onto the left axle on the Upright (2) as shown. **Make sure that the Handlebar Spacer is turned so the curved side is facing the Upright.** Tap an Axle Cap (14) onto the axle.

Repeat this step to assemble the Right Handlebar (8) and the other Handlebar Arm (5).

8. Identify the Left Pedal Arm (11). Attach a Pedal (13) to the Left Pedal Arm with two M6 x 48mm Flat Head Screws (36).

Attach the other Pedal to the Right Pedal Arm (not shown) in the same way.



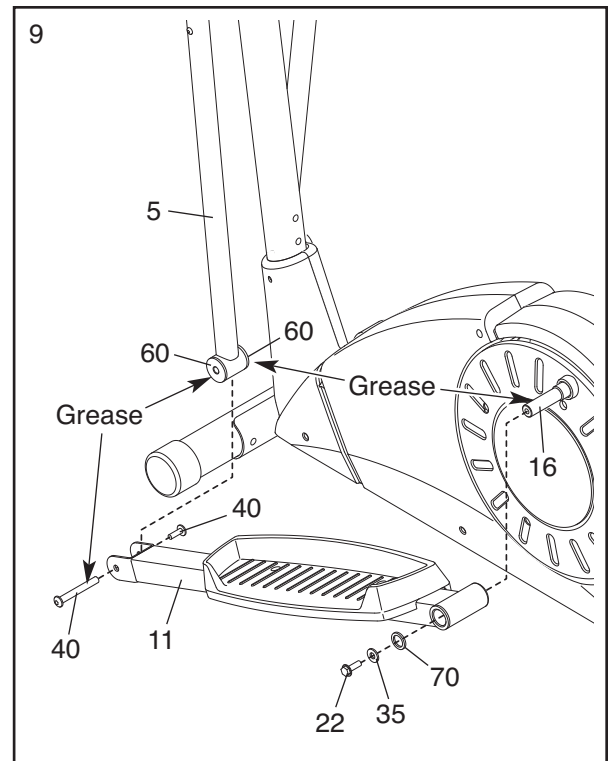
9. Apply a small amount of grease to the axle on the left Disc Crossbar (16). Slide the Left Pedal Arm (11) and a Wave Washer (70) onto the axle. Next, slide an M10 Washer (35) onto an M10 x 25mm Patch Screw (22), and tighten the Patch Screw into the axle.

Apply a small amount of grease to a Pedal Arm Bolt Set (40) and to the surfaces of the Large Handlebar Bushings (60) in the left Handlebar Arm (5). Next, hold the lower end of the left Handlebar Arm inside of the bracket on the Left Pedal Arm (11). Attach the Left Pedal Arm to the left Handlebar Arm with the Bolt Set. **Do not overtighten the Bolt Set; the Handlebar Arm must pivot freely.**

Attach the Right Pedal Arm (not shown) to the right side of the elliptical exerciser in the same way.

See step 6. Tighten the M10 x 68mm Button Bolts (48) in the Upright (2).

See step 7. Tighten the M6 x 36mm Button Bolts (50) in the Handlebar Arms (5).

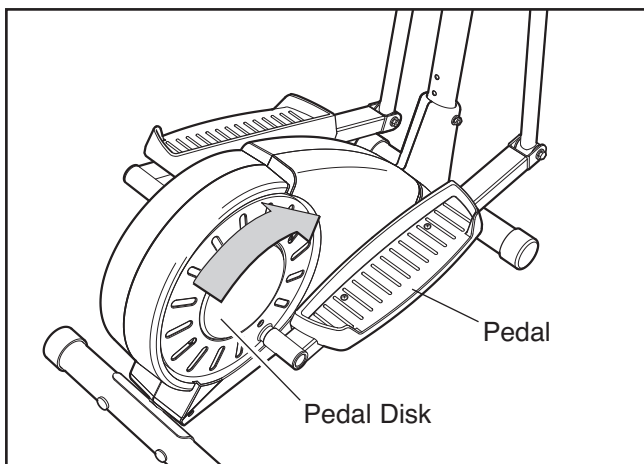


10. **Make sure that all parts of the elliptical exerciser are properly tightened.** Note: Some hardware may be left over after assembly is completed. To protect the floor or carpet from damage, place a mat under the elliptical exerciser.

HOW TO USE THE ELLIPTICAL EXERCISER

HOW TO EXERCISE ON THE ELLIPTICAL EXERCISER

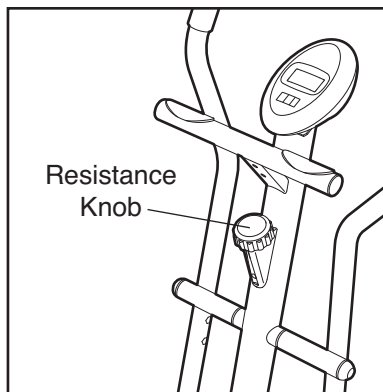
To mount the elliptical exerciser, hold the handlebars or the pulse bar and step onto the pedal that is in the lowest position. Then, step onto the other pedal. Push the pedals until they begin to move with a continuous motion. **Note: The pedal disks can turn in either direction. It is recommended that you move the pedal disks in the direction shown by the arrow; however, for variety, you may turn the pedal disks in the opposite direction.**



To dismount the elliptical exerciser, wait until the pedals come to a complete stop. **Note: The elliptical exerciser does not have a free wheel; the pedals will continue to move until the flywheel stops.** When the pedals are stationary, step off the highest pedal first. Then, step off the lowest pedal.

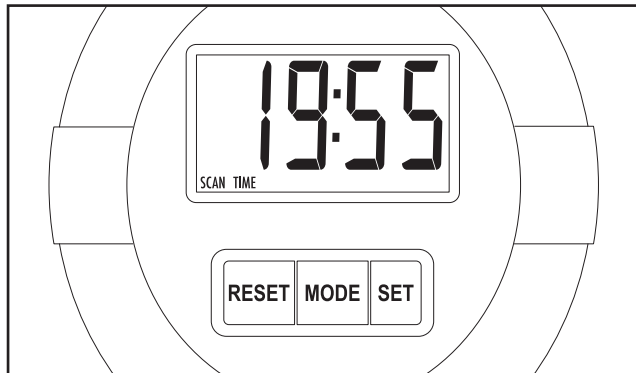
HOW TO ADJUST THE PEDALING RESISTANCE

As you exercise, you can adjust the resistance of the pedals with the resistance knob on the upright. To increase the resistance, turn the knob clockwise; to decrease the resistance, turn the knob counter-clockwise.



FEATURES OF THE CONSOLE

The easy-to-use console features seven modes that provide instant exercise feedback during your workouts. The modes are described below.



Scan—This mode displays the time, speed, distance, odometer, and calories modes, for a few seconds each, in succession.

Time—This mode displays the elapsed time.

Speed—This mode displays your pedaling speed, in miles per hour.

Distance—This mode displays the distance you have pedaled during your workout, in miles.

Odometer—This mode displays the distance pedaled since batteries were inserted into the console.

Calories—This mode displays the approximate number of calories you have burned during your workout.

Pulse—This mode displays your heart rate when you use the pulse sensor.

HOW TO USE THE CONSOLE

Make sure that there are batteries in the console (see assembly step 4 on page 6). If there is a thin sheet of clear plastic on the face of the console, remove it.

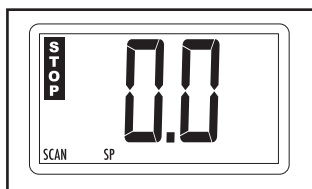
Follow the steps below to operate the console.

1. Turn on the console.

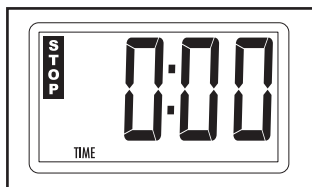
To turn on the console, press any button on the console or simply begin pedaling.

2. Set a workout goal if desired.

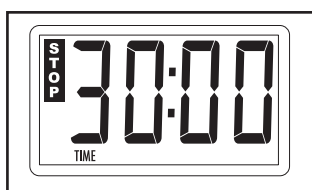
To set a time, distance, or calorie-burning goal for your workout, first stop pedaling and wait for the word STOP to appear in the display.



Next, press the MODE button repeatedly until the letters TIME, DIST, or CAL appear near the lower edge of the display. **Make sure that the word SCAN does not appear.**



Next, press the SET button repeatedly to set a goal. To set a goal quickly, hold down the SET button until the number in the display begins to increment rapidly. When the desired number is reached, press the SET button again.



3. Select one of the modes.

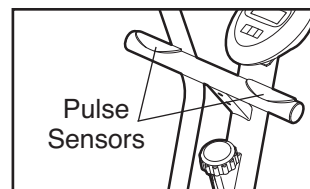
Scan mode—When the power is turned on, the scan mode will be selected automatically, as shown by the word SCAN in the display. Note: If you have selected a different mode, repeatedly press the MODE button until the word SCAN reappears.



Time, speed, distance, odometer, or calories mode—To select one of these modes for continuous display, repeatedly press the MODE button. **Make sure that the word SCAN does not appear in the display.**



Pulse mode—To select this mode, repeatedly press the MODE button until the word PULSE appears in the display. Next, hold the handlebar



with your palms covering the two pulse sensors; avoid moving your hands. When your pulse is detected, a heart-shaped indicator in the display will flash each time your heart beats, and then your heart rate will be shown. For the most accurate heart rate reading, continue to hold the pulse sensors for about 15 seconds. **Note: If there are thin sheets of clear plastic on the pulse sensors, peel them off.**

Note: To reset the time, distance, or calories mode, first make sure that the word STOP appears in the display. Next, press the MODE button until the letters TIME, DIST, or CAL appear in the display. Then, press the RESET button.

4. Begin pedaling and follow your progress with the display.

As you exercise, the console will display the mode(s) that you select. If you have set a workout goal, the console will sound a tone for several seconds when you reach your goal.

5. Turn off the console.

To turn off the console, simply wait for a few minutes. **The console has an “auto-off” feature. If the pedals are not moved and the console buttons are not pressed for a few minutes, the power will turn off automatically to save the batteries.**

MAINTENANCE AND TROUBLESHOOTING

Inspect and tighten all parts of the elliptical exerciser regularly. Replace any worn parts immediately.

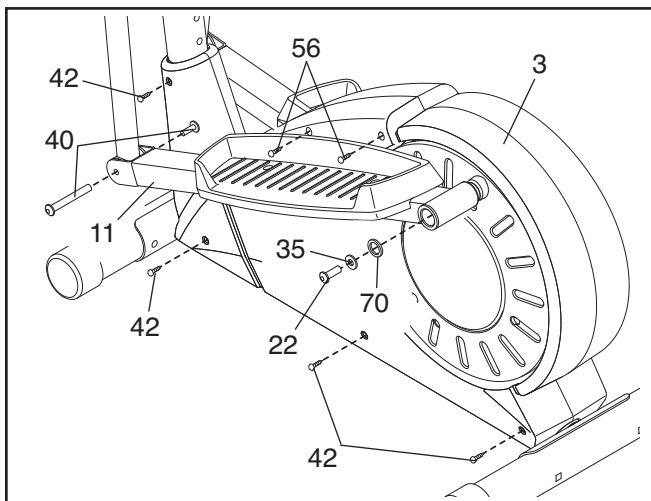
To clean the elliptical exerciser, use a damp cloth and a small amount of mild soap. **Important: Keep liquids away from the console and keep the console out of direct sunlight. During storage, remove the batteries from the console.**

BATTERY REPLACEMENT

If the console display becomes dim, the batteries should be replaced; most console problems are the result of low batteries. To replace the batteries, see step 5 on page 6 and remove the console from the upright. Next, see step 4 on page 6 and insert two batteries into the console. Reattach the console to the upright, being careful not to pinch the wires.

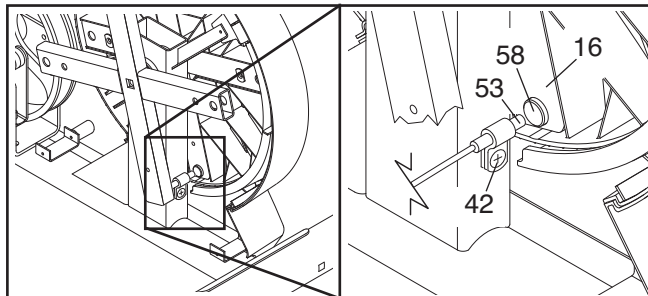
HOW TO ADJUST THE REED SWITCH

If the console does not display correct feedback, the reed switch should be adjusted. To adjust the reed switch, you must first remove the Left Pedal Arm (11) and the Left Side Shield (3).



Remove the Pedal Arm Bolt Set (40), the M10 x 25mm Patch Screw (22), the M10 Washer (35), and the Wave Washer (70) from the Left Pedal Arm (11), and remove the Left Pedal Arm. Next, remove the two M4 x 25mm Screws (56) and the four M4 x 16mm Screws (42) from the Left Side Shield (3), and remove the Left Side Shield.

See the drawings below and locate the Reed Switch (53). (Note: For clarity, the left Pedal Disc [15] is not shown.) Loosen, but do not remove, the indicated M4 x 16mm Screw (42). Slide the Reed Switch slightly toward or away from the Magnet (58) on the right Disc Crossbar (16), and then retighten the Screw. Turn the Pedal Discs for a moment. Repeat until the console displays correct feedback. When the Reed Switch is correctly adjusted, reattach the Left Side Shield (3) and the Left Pedal Arm (11).

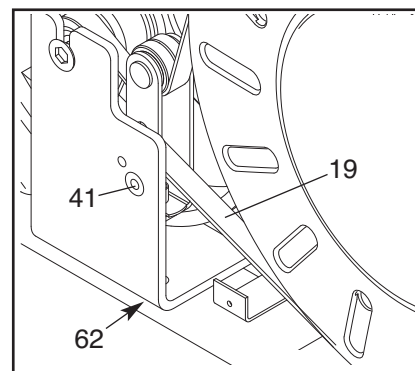


HOW TO ADJUST THE DRIVE BELT

If the pedals slip while you are pedaling, even when the resistance is adjusted to the highest setting, the Drive Belt (19) may need to be adjusted. To adjust the Drive Belt, you must first remove the left side shield. See HOW TO ADJUST THE REED SWITCH at the left and remove the left side shield.

Next, loosen the M8 x 22mm Flat Head Screw (41) and turn the Idler Adjustment Bolt (62) until the Drive Belt (19) is tight. When the Drive Belt is tight, tighten the Flat Head Screw.

Reattach the left side shield and the left pedal arm.

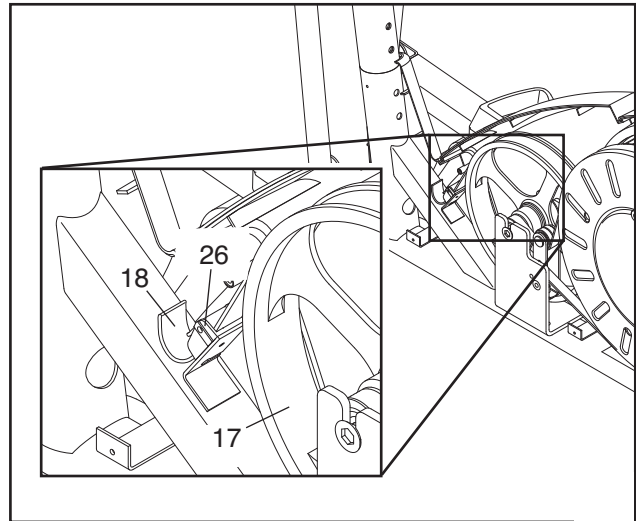


HOW TO ADJUST THE RESISTANCE STRAP

If the resistance knob is turned to the highest setting and there is not enough pedaling resistance, the resistance strap can be adjusted. To adjust the resistance strap, first remove the left side shield (see HOW TO ADJUST THE REED SWITCH on page 11).

Next, turn the resistance knob to the lowest setting. Open the Strap Clamp (26) and pull the end of the Resistance Strap (18) downward slightly. Close the Strap Clamp and turn the Flywheel (17) to make sure that there is not too much resistance.

When the resistance strap is properly adjusted, re-attach the left side shield and the left pedal arm.



CONDITIONING GUIDELINES

The following guidelines will help you to plan your exercise program. Remember that proper nutrition and adequate rest are essential for successful results.

⚠ WARNING: Before beginning this or any exercise program, consult your physician. This is especially important for persons over the age of 35 or persons with pre-existing health problems.

The pulse sensor is not a medical device. Various factors may affect the accuracy of heart rate readings. The pulse sensor is intended only as an exercise aid in determining heart rate trends in general.

EXERCISE INTENSITY

Whether your goal is to burn fat or to strengthen your cardiovascular system, the key to achieving the desired results is to exercise with the proper intensity. The proper intensity level can be found by using your heart rate as a guide. The chart below shows recommended heart rates for fat burning, maximum fat burning, and cardiovascular (aerobic) exercise.

165	155	145	140	130	125	115	♥
145	138	130	125	118	110	103	♥
125	120	115	110	105	95	90	♥
20	30	40	50	60	70	80	

To find the proper heart rate for you, first find your age at the bottom of the chart (ages are rounded off to the nearest ten years). Next, find the three numbers above your age. The three numbers are your “training zone.” The lowest number is the recommended heart rate for fat burning, the middle number is the recommended heart rate for maximum fat burning, and the highest number is the recommended heart rate for aerobic exercise.

Burning Fat

To burn fat effectively, you must exercise at a relatively low intensity level for a sustained period of time.

During the first few minutes of exercise, your body uses easily accessible *carbohydrate* calories for energy. Only after the first few minutes of exercise does your body begin to use stored *fat* calories for energy. If your goal is to burn fat, adjust the intensity of your exercise until your heart rate is near the lowest number in your training zone as you exercise. For maximum fat burning, adjust the intensity of your exercise until your heart rate is near the middle number in your training zone as you exercise.

Aerobic Exercise

If your goal is to strengthen your cardiovascular system, your exercise must be “aerobic.” Aerobic exercise is activity that requires large amounts of oxygen for prolonged periods of time. This increases the demand on the heart to pump blood to the muscles, and on the lungs to oxygenate the blood. For aerobic exercise, adjust the intensity of your exercise until your heart rate is near the highest number in your training zone.

WORKOUT GUIDELINES

Each workout should include the following three parts:

A warm-up, consisting of 5 to 10 minutes of stretching and light exercise. A proper warm-up increases your body temperature, heart rate, and circulation in preparation for exercise.

Training zone exercise, consisting of 20 to 30 minutes of exercising with your heart rate in your training zone. (During the first few weeks of your exercise program, do not keep your heart rate in your training zone for longer than 20 minutes.)

A cool-down, with 5 to 10 minutes of stretching. This will increase the flexibility of your muscles and will help to prevent post-exercise problems.

EXERCISE FREQUENCY

To maintain or improve your condition, plan three workouts each week, with at least one day of rest between workouts. After a few months of regular exercise, you may complete up to five workouts each week, if desired. Remember, the key to success is make exercise a regular and enjoyable part of your everyday life.

PART LIST—Model No. WLEL2904.1

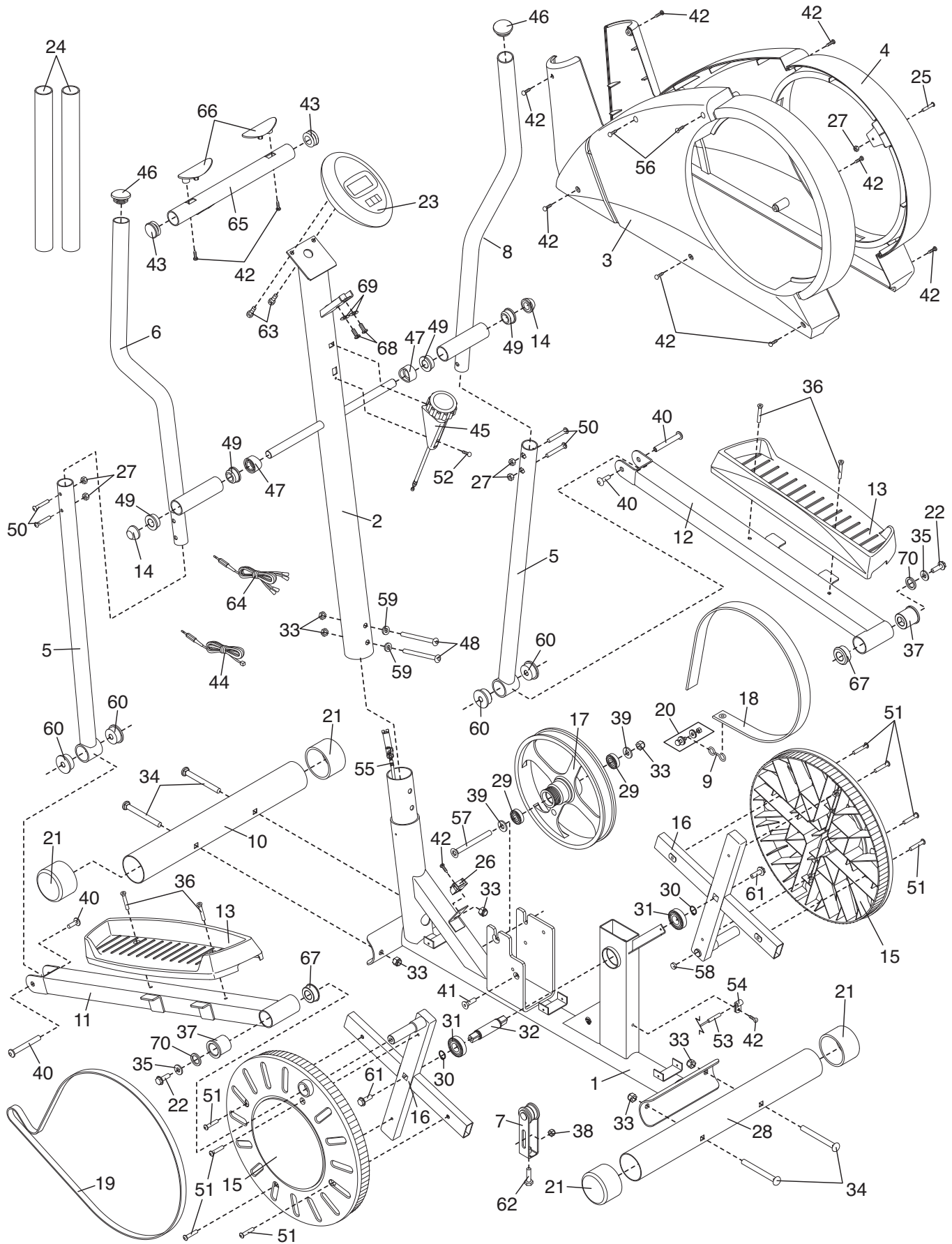
R0705A

Key No.	Qty.	Description	Key No.	Qty.	Description
1	1	Frame	38	1	M8 Nylon Locknut
2	1	Upright	39	2	M10 Small Washer
3	1	Left Side Shield	40	2	Pedal Arm Bolt Set
4	1	Right Side Shield	41	1	M8 x 22mm Flat Head Screw
5	2	Handlebar Arm	42	12	M4 x 16mm Screw
6	1	Left Handlebar	43	2	Pulse Bar Cap
7	1	Idler Assembly	44	1	Speed Wire
8	1	Right Handlebar	45	1	Resistance Knob/Cable
9	1	Hook	46	2	Handlebar Cap
10	1	Front Stabilizer	47	2	Handlebar Spacer
11	1	Left Pedal Arm	48	2	M10 x 68mm Button Bolt
12	1	Right Pedal Arm	49	4	Small Handlebar Bushing
13	2	Pedal	50	4	M6 x 36mm Button Bolt
14	2	Axle Cap	51	8	M6 x 35mm Button Screw
15	2	Pedal Disc	52	1	Flat Head Screw
16	2	Disc Crossbar	53	1	Reed Switch/Wire
17	1	Flywheel	54	1	Cable Clamp
18	1	Resistance Strap	55	1	Lower Cable
19	1	Drive Belt	56	2	M4 x 25mm Screw
20	1	Cable Clamp	57	1	Flywheel Axle
21	4	Stabilizer Endcap	58	1	Magnet
22	2	M10 x 25mm Patch Screw	59	2	M10 Split Washer
23	1	Console	60	4	Large Handlebar Bushing
24	2	Handgrip	61	2	5/16" x 25.4mm Hex Bolt
25	1	M6 x 18mm Bolt	62	1	Idler Adjustment Bolt
26	1	Strap Clamp	63	2	Console Screw
27	5	M6 Nylon Locknut	64	1	Pulse Wire
28	1	Rear Stabilizer	65	1	Pulse Bar
29	2	Flywheel Bearing	66	2	Pulse Sensor
30	2	Large Snap Ring	67	2	Narrow Pedal Arm Bushing
31	2	Large Bearing	68	2	M8 x 16mm Button Screw
32	1	Pedal Axle	69	2	M8 Split Washer
33	7	M10 Nylon Locknut	70	2	Wave Washer
34	4	M10 x 70mm Carriage Bolt	#	1	Allen Wrench
35	2	M10 Washer	#	1	Grease
36	4	M6 x 48mm Flat Head Screw	#	1	User's Manual
37	2	Pedal Arm Bushing			

Note: # indicates a non-illustrated part. Specifications are subject to change without notice.

EXPLODED DRAWING—Model No. WLEL2904.1

R0705A



HOW TO ORDER REPLACEMENT PARTS

To order replacement parts, see the front cover of this manual. To help us assist you, please be prepared to give the following information:

- the MODEL NUMBER of the product (WLEL2904.1)
- the NAME of the product (WESLO MOMENTUM 7.0 EX elliptical exerciser)
- the SERIAL NUMBER of the product (see the front cover of this manual)
- the KEY NUMBER and DESCRIPTION of the part(s) (see page 14)

LIMITED WARRANTY

ICON Health & Fitness, Inc. (ICON), warrants this product to be free from defects in workmanship and material, under normal use and service conditions, for a period of ninety (90) days from the date of purchase. This warranty extends only to the original purchaser. ICON's obligation under this warranty is limited to replacing or repairing, at ICON's option, the product through one of its authorized service centers. All repairs for which warranty claims are made must be pre-authorized by ICON. If the product is shipped to a service center, freight charges to and from the service center will be the customer's responsibility. For in-home service, the customer will be responsible for a minimal trip charge. This warranty does not extend to any product or damage to a product caused by or attributable to freight damage, abuse, misuse, improper or abnormal usage or repairs not provided by an ICON authorized service center; products used for commercial or rental purposes; or products used as store display models. No other warranty beyond that specifically set forth above is authorized by ICON.

ICON is not responsible or liable for indirect, special or consequential damages arising out of or in connection with the use or performance of the product or damages with respect to any economic loss, loss of property, loss of revenues or profits, loss of enjoyment or use, costs of removal or installation or other consequential damages of whatsoever nature. Some states do not allow the exclusion or limitation of incidental or consequential damages. Accordingly, the above limitation may not apply to you.

The warranty extended hereunder is in lieu of any and all other warranties and any implied warranties of merchantability or fitness for a particular purpose is limited in its scope and duration to the terms set forth herein. Some states do not allow limitations on how long an implied warranty lasts. Accordingly, the above limitation may not apply to you.

This warranty gives you specific legal rights. You may also have other rights which vary from state to state.

ICON HEALTH & FITNESS, INC., 1500 S. 1000 W., LOGAN, UT 84321-9813