

# WESLO<sup>®</sup>

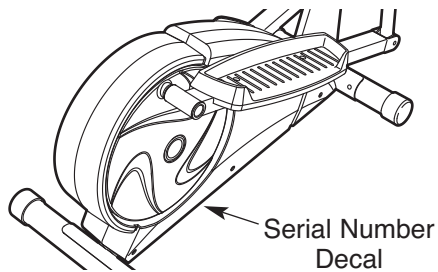
## momentum CT 3.0

[www.weslo.com](http://www.weslo.com)

Model No. WLEL31910.0

Serial No. \_\_\_\_\_

Write the serial number in the space above for reference.



## USER'S MANUAL

### QUESTIONS?

If you have questions, or if parts are damaged or missing, **DO NOT CONTACT THE STORE**; please contact Customer Care.

**IMPORTANT:** Please register this product (see the limited warranty on the back cover of this manual) before contacting Customer Care.

CALL TOLL-FREE:

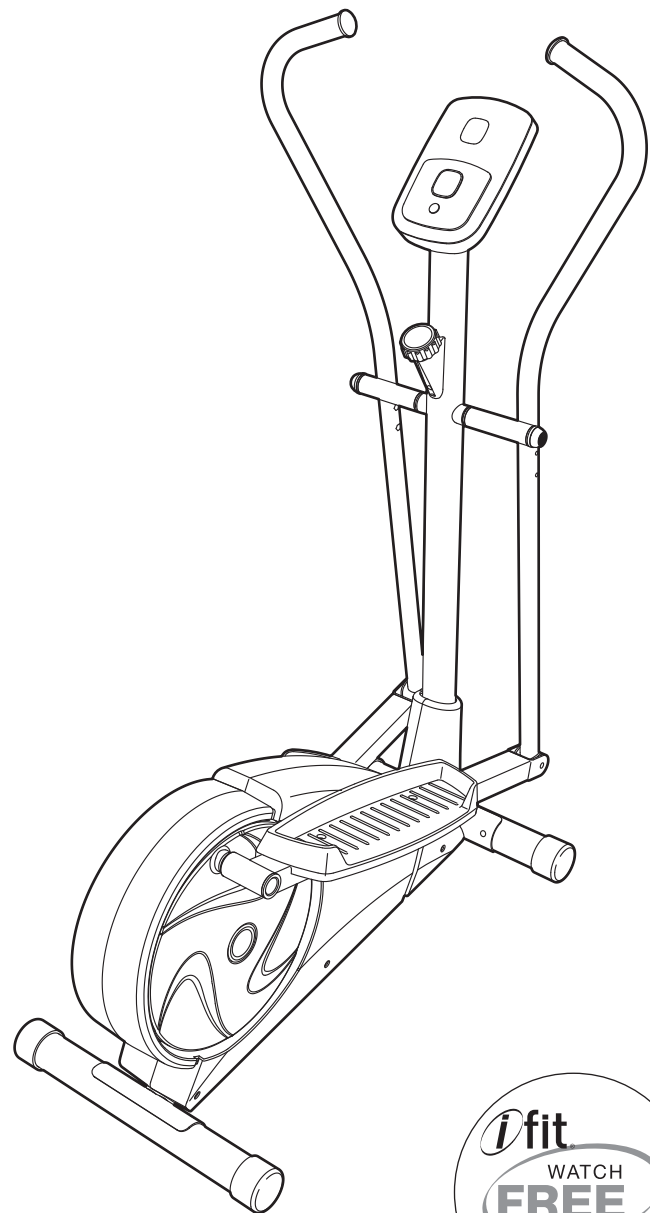
**1-866-699-3756**

Mon.–Fri., 6 a.m.–6 p.m. MT

Sat. 8 a.m.–4 p.m. MT

ON THE WEB:

[www.wesloservice.com](http://www.wesloservice.com)



### ⚠ CAUTION

Read all precautions and instructions in this manual before using this equipment. Keep this manual for future reference.



# TABLE OF CONTENTS

WARNING DECAL PLACEMENT .....2

IMPORTANT PRECAUTIONS .....3

BEFORE YOU BEGIN .....4

ASSEMBLY .....5

HOW TO USE THE ELLIPTICAL .....10

MAINTENANCE AND TROUBLESHOOTING .....14

EXERCISE GUIDELINES .....16

PART LIST .....18

EXPLODED DRAWING .....19

ORDERING REPLACEMENT PARTS .....Back Cover

LIMITED WARRANTY .....Back Cover

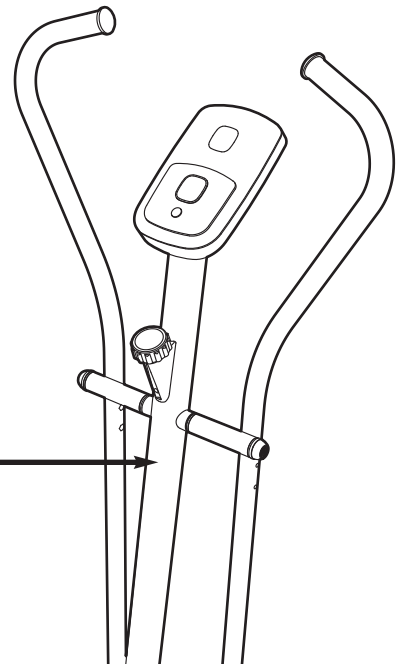
## WARNING DECAL PLACEMENT

This drawing shows the location(s) of the warning decal(s). **If a decal is missing or illegible, call the telephone number on the front cover of this manual and request a free replacement decal. Apply the decal in the location shown.** Note: The decal(s) may not be shown at actual size.

**WARNING**  
**ADVERTENCIA**

- Misuse of this machine may result in serious injury.
- Read user's manual prior to use and follow all warnings and instructions.
- Do not allow children on or around machine.
- Pedals continue to spin when you stop pedaling.
- Spinning pedals can cause injury.
- Reduce pedal speed in a controlled manner.
- User weight must not exceed 250 pounds.
- Replace label if damaged, illegible, or removed.

- Mal uso de esta máquina puede resultar en graves lesiones.
- Lea el manual del usuario antes del uso y siga todas las precauciones e instrucciones.
- No deje a niños en o alrededor de la máquina.
- Los pedales continúan a girar cuando usted para de empujar a los pedales.
- Los pedales al girar pueden causar heridas.
- Reduzca la velocidad de los pedales en forma controlada.
- El peso del usuario no debe exceder 113 kg.
- Reemplace la calcomanía si está dañada, ilegible, o faltando.



---

# IMPORTANT PRECAUTIONS

**⚠️ WARNING:** To reduce the risk of serious injury, read all important precautions and instructions in this manual and all warnings on your elliptical before using your elliptical. ICON assumes no responsibility for personal injury or property damage sustained by or through the use of this product.

1. Before beginning any exercise program, consult your physician. This is especially important for persons over age 35 or persons with pre-existing health problems.
2. Use the elliptical only as described in this manual.
3. It is the responsibility of the owner to ensure that all users of the elliptical are adequately informed of all precautions.
4. The elliptical is intended for home use only. Do not use the elliptical in a commercial, rental, or institutional setting.
5. Keep the elliptical indoors, away from moisture and dust. Place the elliptical on a level surface, with a mat beneath it to protect the floor or carpet. Make sure that there is at least 3 ft. (0.9 m) of clearance in the front and rear of the elliptical and 2 ft. (0.6 m) on each side.
6. Inspect and properly tighten all parts regularly. Replace any worn parts immediately.
7. Keep children under age 12 and pets away from the elliptical at all times.
8. The elliptical should not be used by persons weighing more than 250 lbs. (113 kg).
9. Wear appropriate clothes while exercising; do not wear loose clothes that could become caught on the elliptical. Always wear athletic shoes for foot protection while exercising.
10. Hold the upper body arms when mounting, dismounting, or using the elliptical.
11. The pulse sensor is not a medical device. Various factors may affect the accuracy of heart rate readings. The pulse sensor is intended only as an exercise aid in determining heart rate trends in general.
12. The elliptical does not have a freewheel; the pedals will continue to move until the flywheel stops. Reduce your pedaling speed in a controlled way.
13. Keep your back straight while using the elliptical; do not arch your back.
14. Over exercising may result in serious injury or death. If you feel faint or if you experience pain while exercising, stop immediately and cool down.

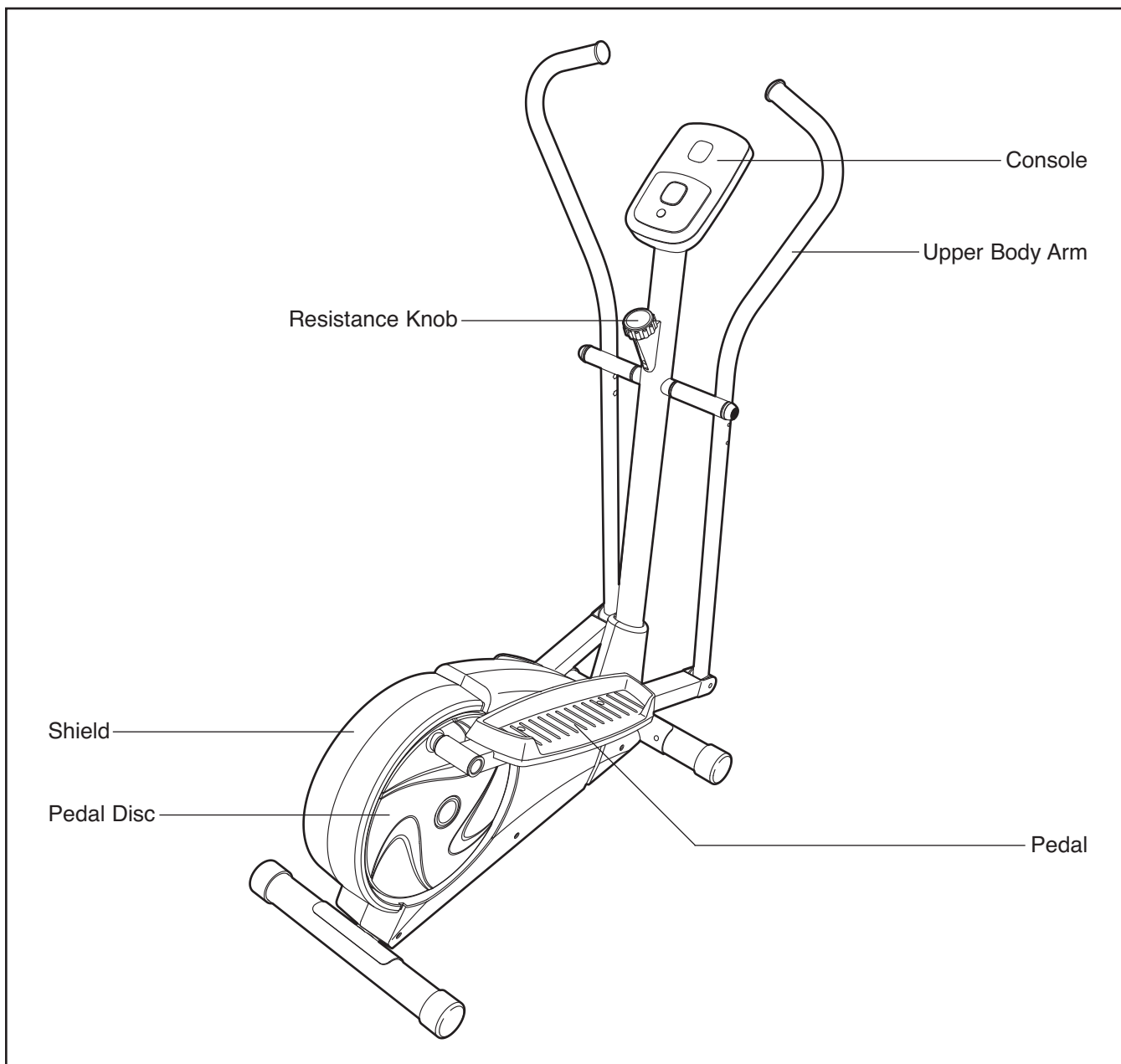
# BEFORE YOU BEGIN

Thank you for selecting the new WESLO® MOMENTUM CT 3.0 elliptical. The MOMENTUM CT 3.0 provides a selection of features designed to make your workouts at home more effective and enjoyable.

**For your benefit, read this manual carefully before you use the elliptical.** If you have questions after reading this manual, please see the front cover of this

manual. To help us assist you, note the product model number and serial number before contacting us. The model number and the location of the serial number decal are shown on the front cover of this manual.

Before reading further, please familiarize yourself with the parts that are labeled in the drawing below.



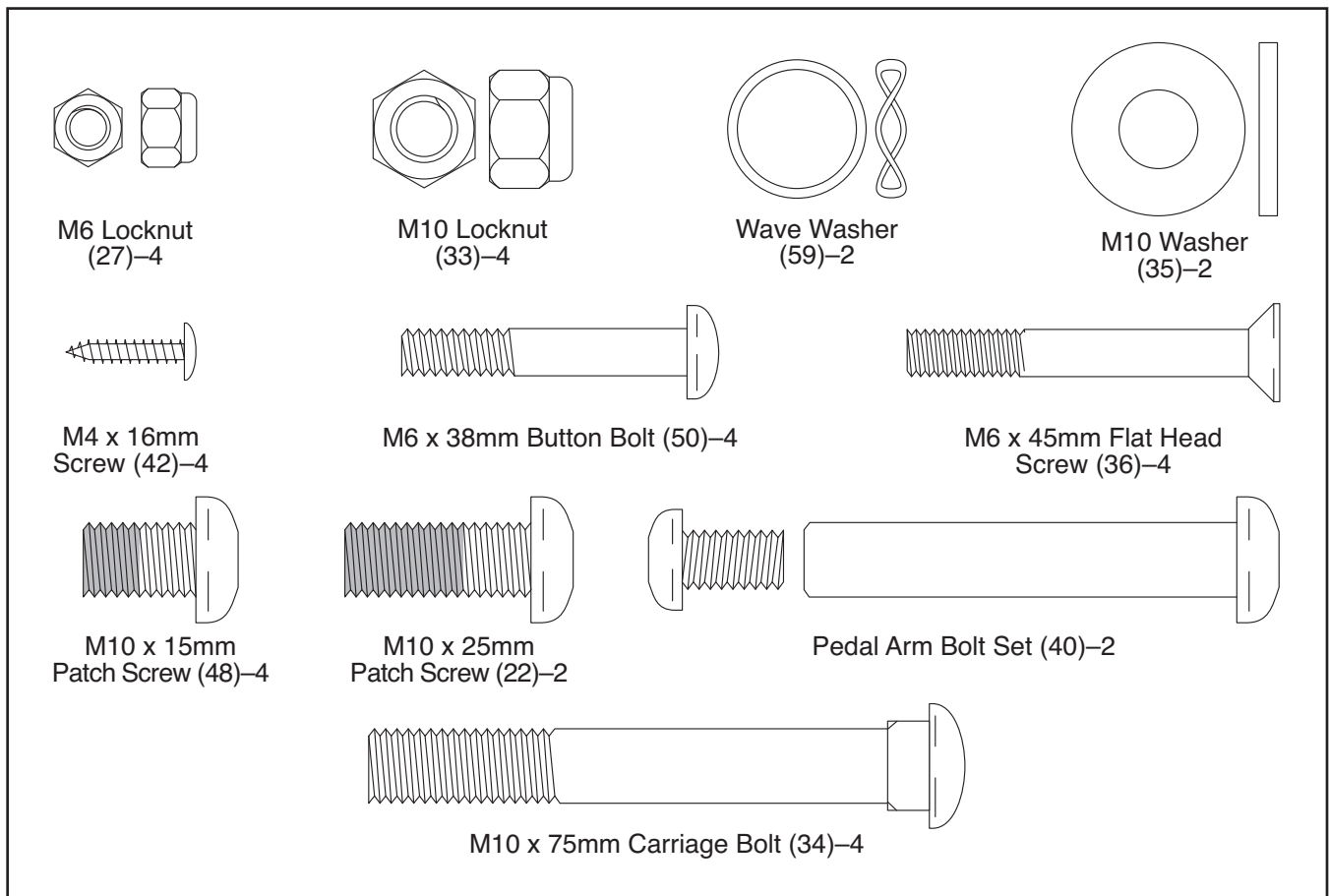
# ASSEMBLY

To hire an authorized service technician to assemble the elliptical, call 1-800-445-2480.

**Assembly requires two persons.** Place all parts of the elliptical in a cleared area and remove the packing materials. Do not dispose of the packing materials until assembly is completed.

In addition to the included tool(s), assembly requires a Phillips screwdriver  , an adjustable wrench  , and pliers  .

See the drawings below to identify the small parts needed for assembly. The number in parentheses below each drawing is the key number of the part, from the PART LIST near the end of this manual. The number following the key number is the quantity needed for assembly. **Note: If a part is not in the hardware kit, check to see if it has been preassembled. To avoid damaging parts, do not use power tools for assembly.**

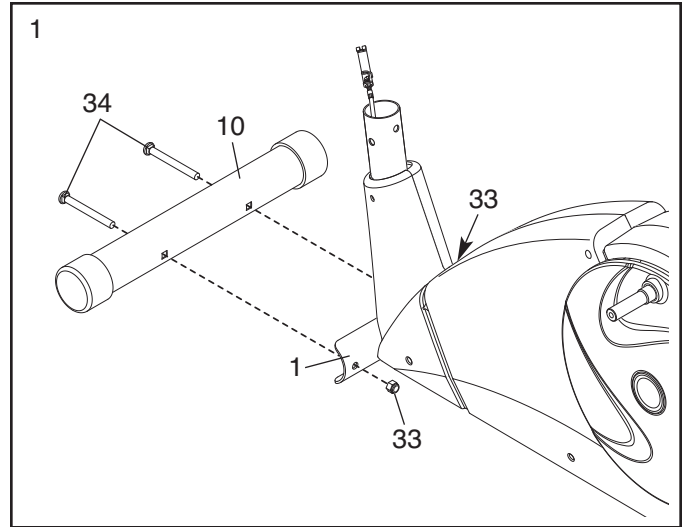


1.

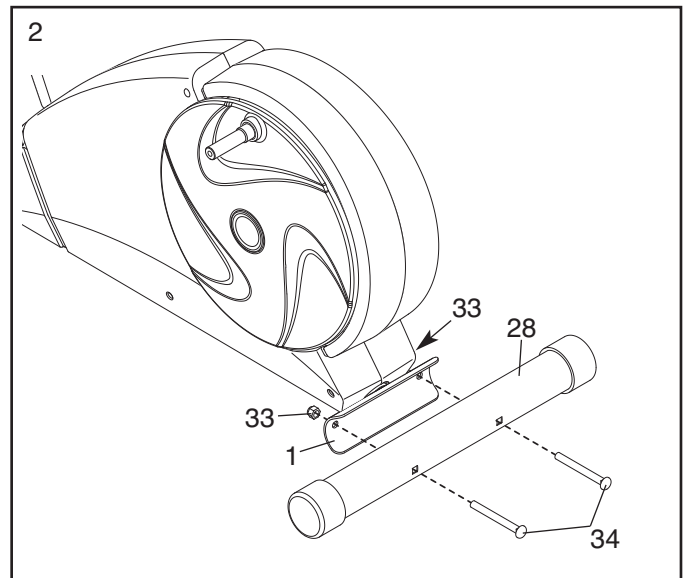
To make assembly easier, read the information on page 5 before you begin.

Identify the Front Stabilizer (10), which is shorter than the Rear Stabilizer (not shown).

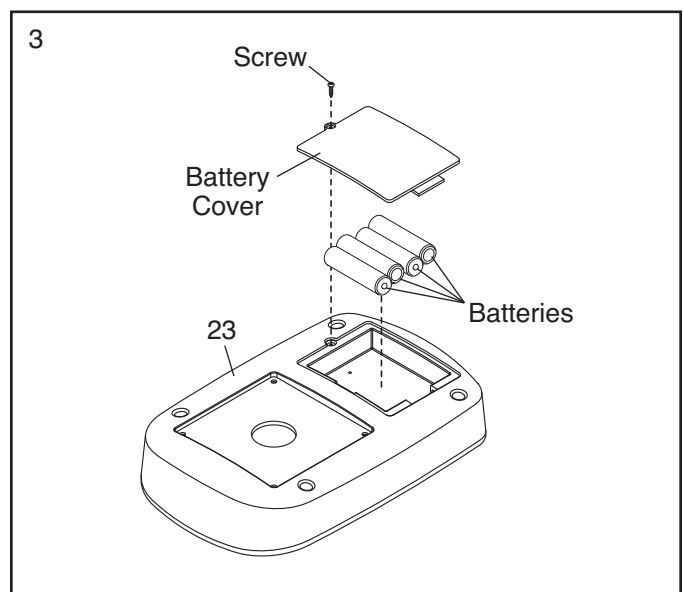
While a second person lifts the front of the Frame (1), attach the Front Stabilizer (10) to the Frame with two M10 x 75mm Carriage Bolts (34) and two M10 Locknuts (33).



2. While a second person lifts the rear of the Frame (1), attach the Rear Stabilizer (28) to the Frame with two M10 x 75mm Carriage Bolts (34) and two M10 Locknuts (33).



3. The Console (23) requires four AA batteries (not included); alkaline batteries are recommended. **IMPORTANT: If the Console has been exposed to cold temperatures, allow it to warm to room temperature before inserting batteries. Otherwise, you may damage the console displays or other electronic components.** Remove the screw, remove the battery cover, and insert the batteries into the battery compartment. **Make sure to orient the batteries as shown by the diagram inside the battery compartment.** Then, reattach the battery cover.

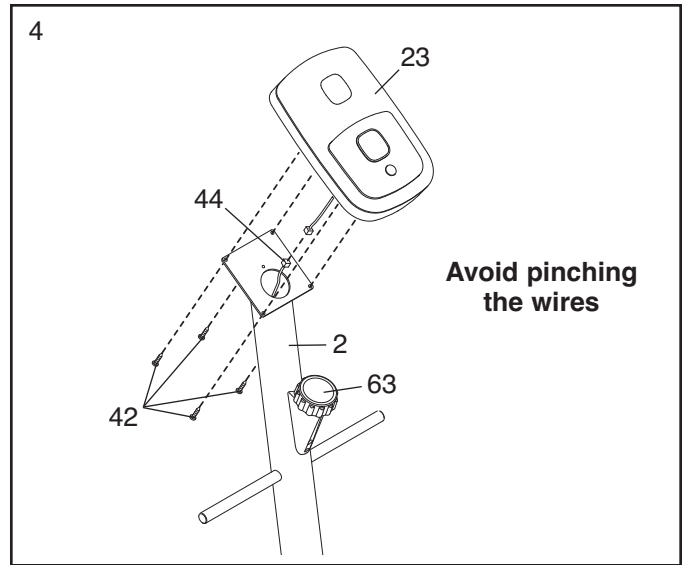


- While a second person holds the Console (23) near the Upright (2), connect the wire on the Console to the Upper Wire (44).

Insert the wires into the Upright (2).

**Tip: Avoid pinching the wires.** Attach the Console (23) to the Upright (2) with four M4 x 16mm Screws (42).

**Turn the Resistance Knob (63) counterclockwise to the lowest setting before going to the next step.**

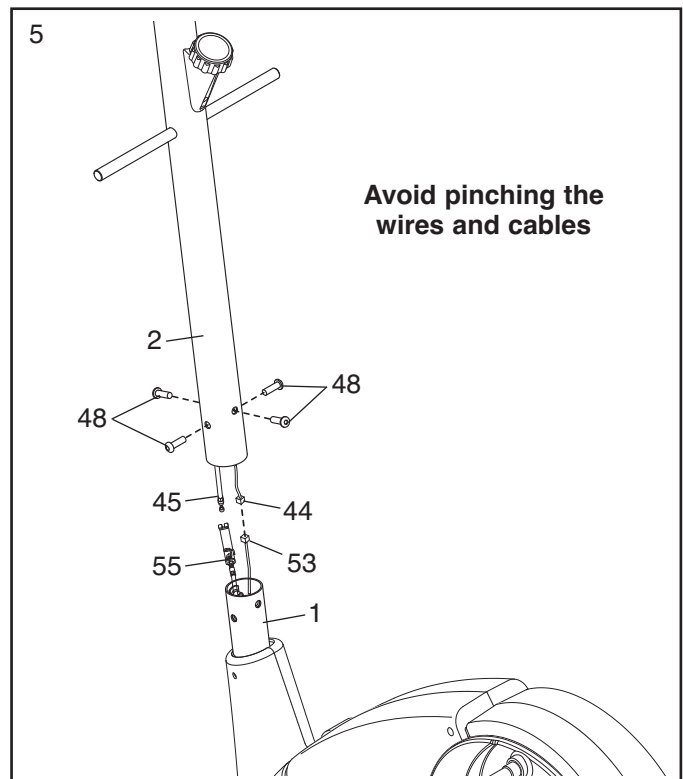


- While a second person holds the Upright (2) near the Frame (1), connect the Upper Wire (44) to the Reed Wire (53).

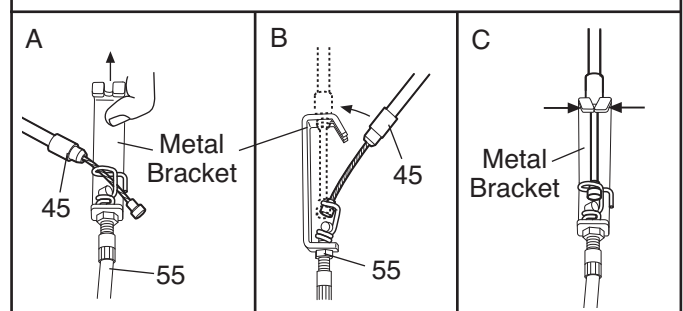
Next, connect the Resistance Cable (45) to the Lower Resistance Cable (55) in the following way:

- **See drawing A.** Pull upward on the metal bracket on the Lower Resistance Cable (55), and insert the tip of the Resistance Cable (45) into the wire clip inside the metal bracket.
- **See drawing B.** Firmly pull the Resistance Cable (45) and slide it into the metal bracket on the Lower Resistance Cable (55).
- **See drawing C.** Using pliers, squeeze together the prongs on the upper end of the metal bracket.

**Tip: Avoid pinching the wires and cables.** Insert the cables and wires into the Frame (1). Next, slide the Upright (2) onto the Frame.



Attach the Upright (2) with four M10 x 15mm Patch Screws (48). **Do not tighten the Patch Screws yet.**

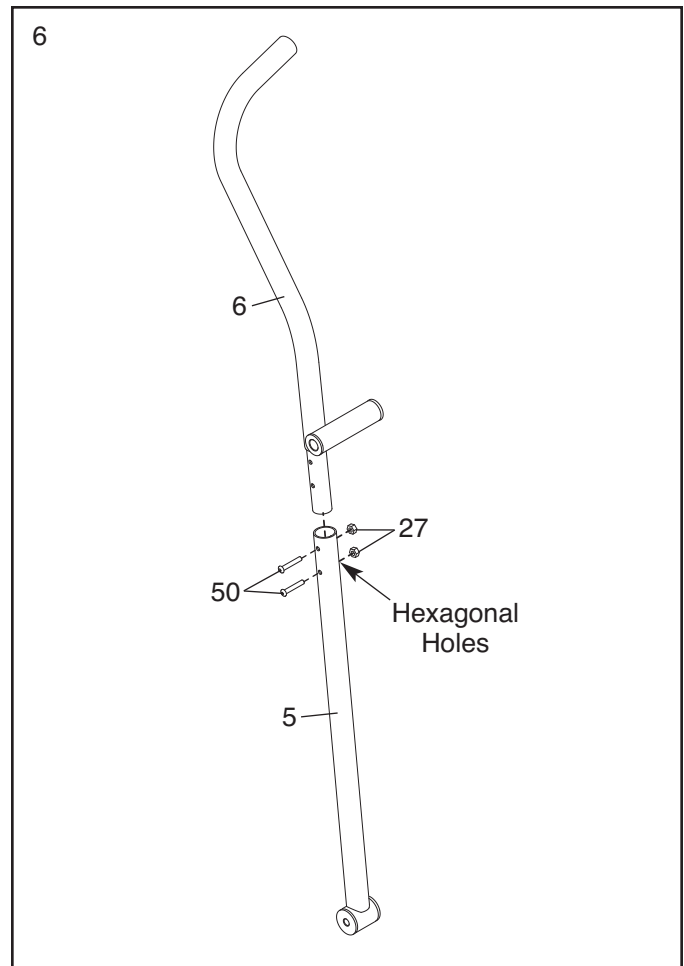


6. Identify the Left Upper Body Arm (6), which is marked with a “Left” sticker.

Insert the Left Upper Body Arm (6) into an Upper Body Leg (5); **make sure that the hexagonal holes are in the indicated location.**

Attach the Left Upper Body Arm (6) to the Upper Body Leg (5) with two M6 x 38mm Button Bolts (50) and two M6 Locknuts (27). **Make sure that the Locknuts are inside the hexagonal holes. Do not fully tighten the Button Bolts yet.**

**Repeat this step for the Right Upper Body Arm (not shown) and the other Upper Body Leg (not shown).**

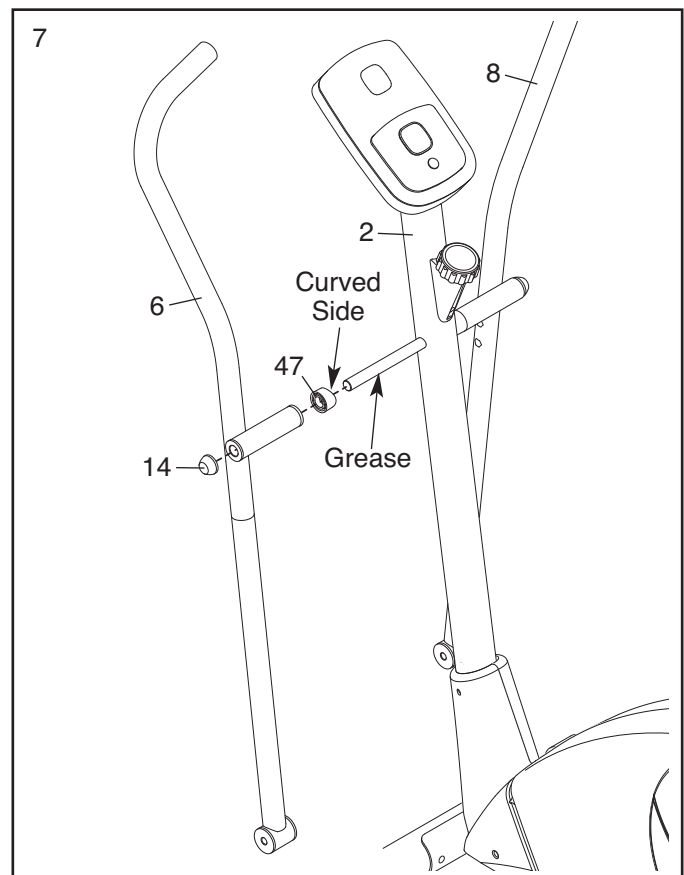


7. Apply some of the included grease to the axle on the left side of the Upright (2).

Slide an Arm Spacer (47) and the Left Upper Body Arm (6) onto the left side of the Upright (2). **Make sure that curved side of the Arm Spacer is facing the Upright.**

Then, press an Axle Cap (14) onto the end of the axle.

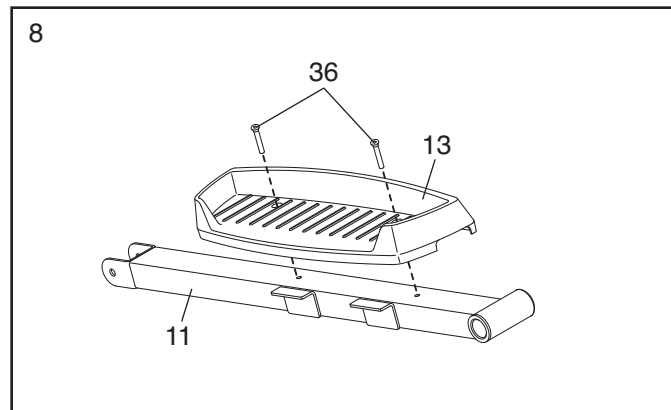
**Repeat this step for the Right Upper Body Arm (8).**



8. Identify the Left Pedal Arm (11), which is marked with a "Left" sticker.

Attach a Pedal (13) to the Left Pedal Arm (11) with two M6 x 45mm Flat Head Screws (36).

**Repeat this step for the other Pedal (not shown) and the Right Pedal Arm (not shown).**



9. Apply grease to the axle on the left Disc Crossbar (16) and to a Pedal Arm Bolt Set (40).

Slide the Left Pedal Arm (11) and a Wave Washer (59) onto left Disc Crossbar (16).

Next, tighten an M10 x 25mm Patch Screw (22), and an M10 Washer (35) into the axle.

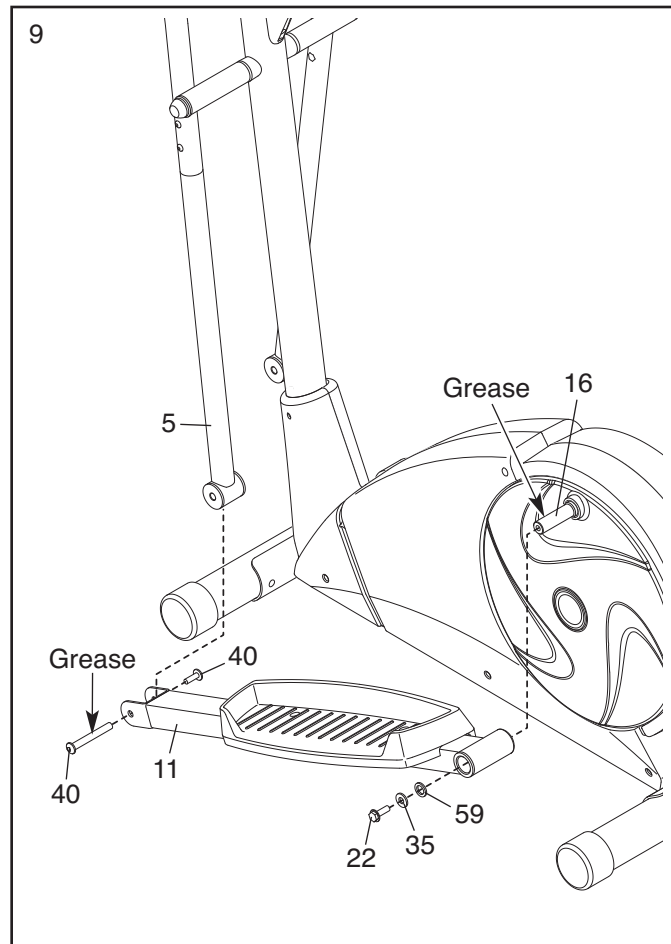
Then, hold the lower end of the left Upper Body Leg (5) inside the bracket on the Left Pedal Arm (11).

Attach the Left Pedal Arm (11) to the left Upper Body Leg (5) with the Pedal Arm Bolt Set (40). **Do not overtighten the Bolt Set; the Upper Body Leg must pivot freely.**

**Repeat this step on the other side of the elliptical.**

**See step 5.** Tighten the M10 x 15mm Patch Screws (48).

**See step 6.** Tighten the M6 x 38mm Button Bolts (50).

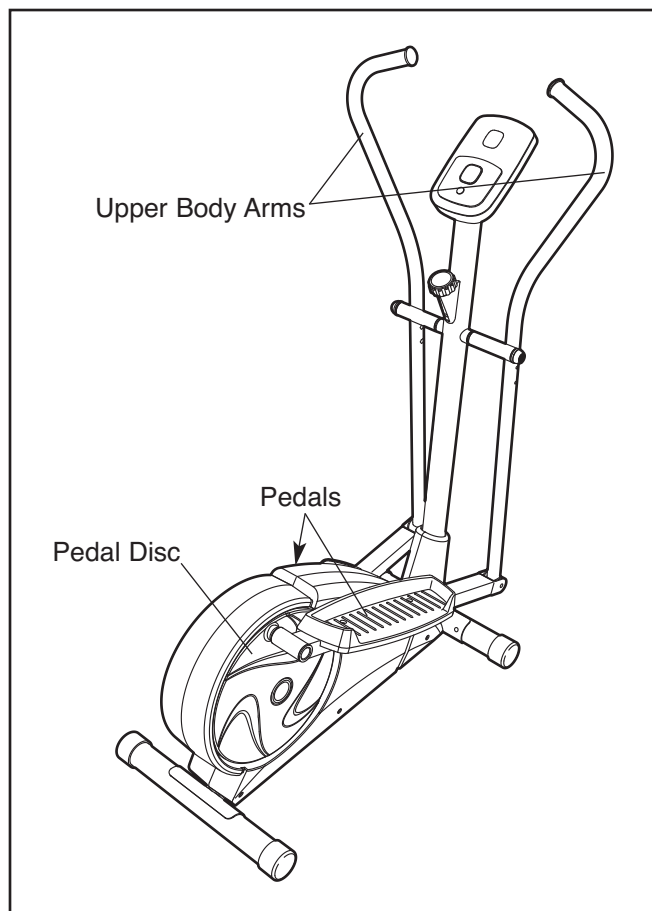


10. **Make sure that all parts of the elliptical are properly tightened.** Note: Some hardware may be left over after assembly is completed. To protect the floor or carpet from damage, place a mat under the elliptical.

# HOW TO USE THE ELLIPTICAL

## HOW TO EXERCISE ON THE ELLIPTICAL

To mount the elliptical, hold the handlebars and step onto the pedal that is in the lowest position. Then, step onto the other pedal. Push the pedals until they begin to move with a continuous motion.



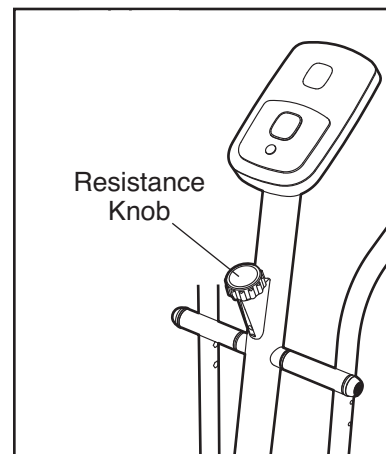
**Note:** The pedal discs can turn in either direction. It is recommended that you move the pedal discs in the direction shown by the arrow; however, for variety, you may turn the pedal discs in the opposite direction.

To dismount the elliptical, wait until the pedals come to a complete stop. **IMPORTANT: The elliptical does not have a freewheel; the pedals will continue to move until the flywheel stops.** When the pedals are stationary, step off the higher pedal first. Then, step off the lower pedal.

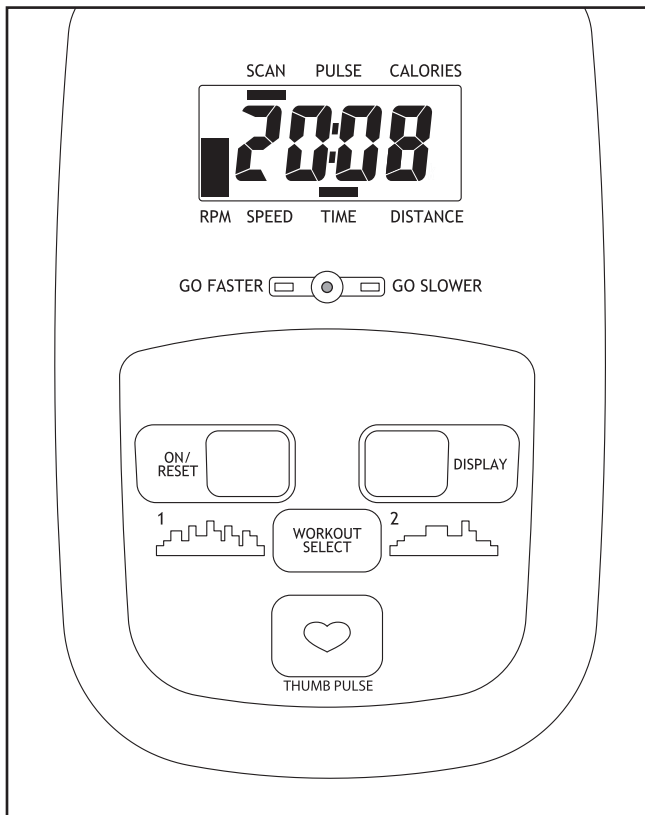
## HOW TO ADJUST THE PEDALING RESISTANCE

As you exercise, you can adjust the resistance of the pedals with the resistance knob on the upright.

**To increase the resistance,** turn the knob clockwise. **To decrease the resistance,** turn the knob counterclockwise.



## FEATURES OF THE CONSOLE



The console offers a selection of features designed to make your workouts more effective. As you pedal, the console will provide continuous exercise feedback. You can even measure your heart rate using the thumb pulse sensor.

The console offers two preset workouts that prompt you to vary your pedaling speed while guiding you through an effective workout.

**To use the manual mode**, see the instructions at the right. **To use a preset workout**, see page 13.

Note: Before using the console, make sure that batteries are installed (see assembly step 3 on page 6). If there is a sheet of plastic on the display, remove the plastic.

## HOW TO USE THE MANUAL MODE

### 1. Turn on the console.

To turn on the console, press the On/Reset button or begin pedaling. The display will turn on for a moment; the console will then be ready for use.

### 2. Follow your progress with the display.

The display can show the following workout information:

**RPM**—The RPM meter on the left side of the display indicates your approximate pedaling speed in revolutions per minute (rpm).

**Speed**—This mode shows your pedaling speed, in revolutions per minute (rpm).

**Time**—This mode shows the elapsed time.

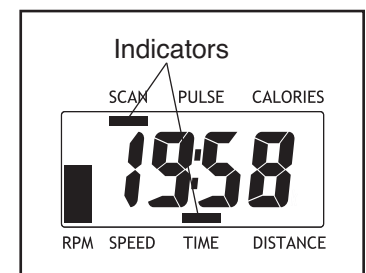
**Distance**—This mode shows the distance (total number of revolutions) you have pedaled.

**Calories**—This mode shows the approximate number of calories you have burned.

**Pulse**—This mode shows your heart rate when you use the thumb pulse sensor.

**Scan**—This mode shows the speed, time, distance, calories, and pulse modes, for a few seconds each, in a repeating cycle. Note: The pulse mode will be displayed only when you are using the pulse sensor.

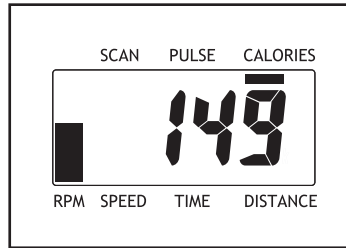
When you turn the console on, the scan mode will be selected automatically. One indicator will appear below the word Scan to show that the scan mode is selected, and a second indicator will show which information is currently displayed.



Note: If you have selected a different mode, press the Display button repeatedly to reselect the scan mode.

To select the speed, time, distance, or calories mode for continuous display, press the Display button repeatedly.

Indicators will show which mode is selected. Make sure that there is not an indicator below the word Scan.

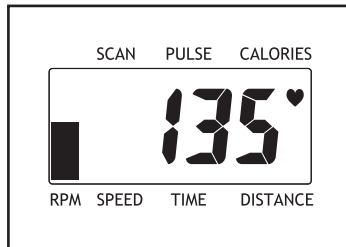


To reset the display, press the On/Reset button.

To pause the console, stop pedaling. If the time is displayed, it will flash. To continue your workout, simply resume pedaling.

### 3. Measure your heart rate if desired.

To measure your heart rate, **stop pedaling** and place your thumb on the thumb pulse sensor. **Do not press too hard, or the circulation in your thumb will be restricted and your pulse will not be detected.** After a few seconds, the heart-shaped indicator in the display will flash steadily, two dashes will appear, and then your heart rate will be shown. Hold your thumb on the pulse sensor for about 15 seconds for the most accurate reading.



If the displayed heart rate appears to be too high or too low, or if your heart rate is not displayed, lift your thumb off the pulse sensor for a few seconds. Then, place your thumb on the pulse sensor as described above.

Make sure you are applying the proper amount of pressure to the pulse sensor. Try the pulse sensor several times until you become familiar with it. Remember to stand still while measuring your heart rate.

### 4. When you are finished exercising, the console will turn off automatically.

If the pedals do not move for a few seconds, the console will pause.

If the pedals do not move for a few minutes, the console will turn off and the display will be reset.

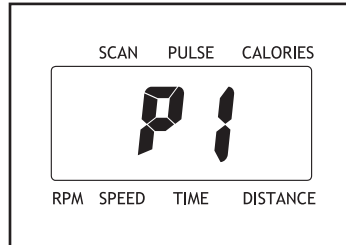
## HOW TO USE A PRESET WORKOUT

### 1. Turn on the console.

See step 1 on page 11.

### 2. Select a preset workout.

To select a preset workout, press the Workout Select button repeatedly until the name of the workout appears in the display.

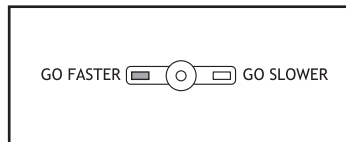


A few seconds after you select a preset workout, the display will show the duration of the workout.

### 3. Begin pedaling to start the workout.

Each preset workout consists of one-minute segments. One target speed is programmed for each segment. Any time the target speed is about to change, the display will flash for a few seconds to alert you.

During the workout, the speed guide will prompt you to keep your pedaling speed near the target



speed setting for the current segment. When the left indicator lights, increase your speed; when the right indicator lights, decrease your speed. When the center indicator lights, maintain your current speed. **IMPORTANT: The speed guide is intended only to provide a goal. Make sure to pedal at a speed that is comfortable for you.**

The display can show the time remaining in the workout. If you stop pedaling for a few seconds, the workout will pause and the time will flash if it is displayed. To restart the workout, simply resume pedaling.

### 4. Follow your progress with the display.

See step 2 on pages 11–12.

### 5. Measure your heart rate if desired.

See step 3 on page 12.

### 6. When you are finished exercising, the console will turn off automatically.

If the pedals do not move for a few seconds, the console will pause.

If the pedals do not move for a few minutes, the console will turn off and the display will be reset.

# MAINTENANCE AND TROUBLESHOOTING

Inspect and tighten all parts of the elliptical regularly. Replace any worn parts immediately.

To clean the elliptical, use a damp cloth and a small amount of mild soap. **IMPORTANT: To avoid damage to the console, keep liquids away from the console and keep the console out of direct sunlight.**

## CONSOLE TROUBLESHOOTING

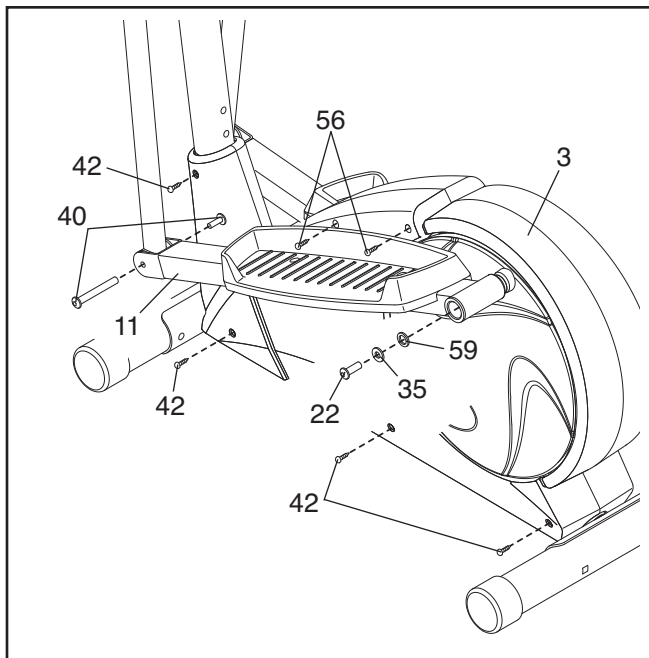
If the console display becomes dim, replace all the batteries at the same time; most console problems are the result of low batteries. To replace the batteries, see assembly step 3 on page 6.

If the thumb pulse sensor does not function properly, see step 3 on page 12.

## HOW TO ADJUST THE REED SWITCH

If the console does not display correct feedback, the reed switch should be adjusted.

To adjust the reed switch, you must remove the Left Pedal Arm (11) and the Left Shield (3).

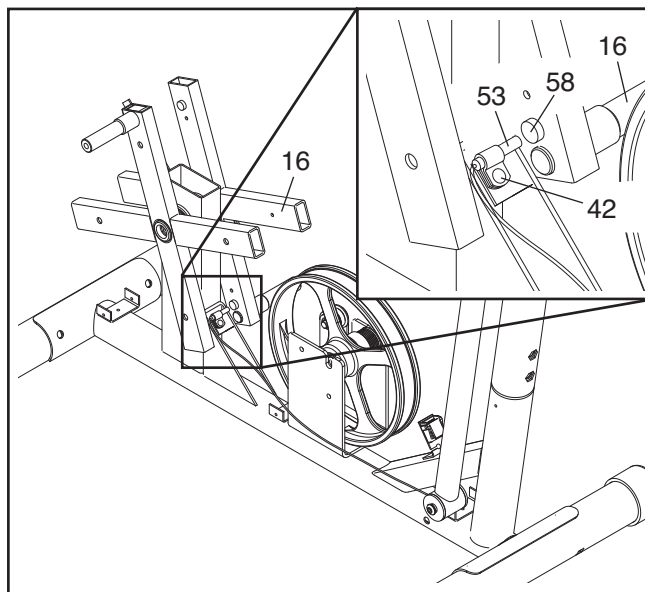


Remove the Pedal Arm Bolt Set (40), the M10 x 25mm Patch Screw (22), the M10 Washer (35), and the Wave Washer (59) from the Left Pedal Arm (11). Then, remove the Left Pedal Arm.

Next, remove the two M4 x 25mm Screws (56) and the four M4 x 16mm Screws (42) from the Left Shield (3).

Note: For clarity, the pedal discs are not shown in the drawing below.

Locate the Reed Switch (53). Loosen, but do not remove, the indicated M4 x 16mm Screw (42). Slide the Reed Switch slightly toward or away from a Magnet (58) on the left Disc Crossbar (16).



Retighten the M4 x 16mm Screw (42). Turn the left Disc Crossbar (16) for a moment. Repeat these actions until the console displays correct feedback.

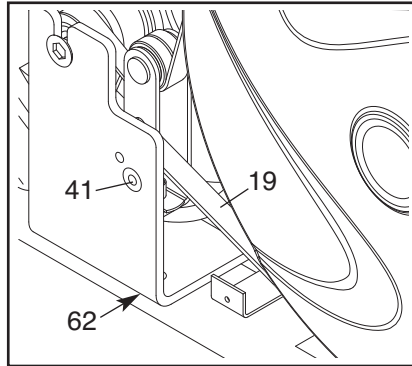
When the reed switch is correctly adjusted, reattach the left shield and the left pedal arm.

## HOW TO ADJUST THE DRIVE BELT

If the pedals slip while you are pedaling, even when the resistance is adjusted to the highest setting, the drive belt may need to be adjusted.

To adjust the drive belt, you must first remove the left shield. See HOW TO ADJUST THE REED SWITCH on page 14 and remove the left shield.

Loosen the M8 x 22mm Flat Head Screw (41). Then, tighten the M10 x 60mm Bolt (62) until the Drive Belt (19) is tight.



When the Drive Belt (19) is tight, tighten the M8 x 22mm Flat Head Screw (41). Reattach the left shield.

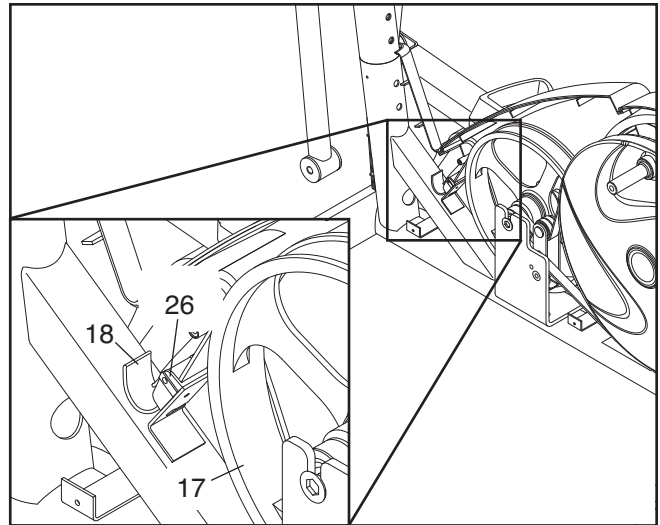
## HOW TO ADJUST THE RESISTANCE STRAP

If the resistance knob is turned to the highest setting and there is not enough pedaling resistance, the resistance strap can be adjusted.

To adjust the resistance strap, first remove the left shield and the left pedal arm (see HOW TO ADJUST THE REED SWITCH on page 14).

Turn the resistance knob to the lowest setting.

Open the Strap Clamp (26) and pull the end of the Resistance Strap (18) downward slightly. Close the Strap Clamp and turn the Flywheel (17) to make sure that there is not too much resistance.



When the Resistance Strap (18) is properly adjusted, reattach the left shield and the left pedal arm.

# EXERCISE GUIDELINES

**⚠ WARNING:** Before beginning this or any exercise program, consult your physician. This is especially important for persons over the age of 35 or persons with pre-existing health problems.

The pulse sensor is not a medical device. Various factors may affect the accuracy of heart rate readings. The pulse sensor is intended only as an exercise aid in determining heart rate trends in general.

These guidelines will help you to plan your exercise program. For detailed exercise information, obtain a reputable book or consult your physician. Remember, proper nutrition and adequate rest are essential for successful results.

## EXERCISE INTENSITY

Whether your goal is to burn fat or to strengthen your cardiovascular system, exercising at the proper intensity is the key to achieving results. You can use your heart rate as a guide to find the proper intensity level. The chart below shows recommended heart rates for fat burning and aerobic exercise.

165	155	145	140	130	125	115	❤️
145	138	130	125	118	110	103	❤️
125	120	115	110	105	95	90	❤️
<hr/>							
20	30	40	50	60	70	80	

To find the proper intensity level, find your age at the bottom of the chart (ages are rounded off to the nearest ten years). The three numbers listed above your age define your “training zone.” The lowest number is the heart rate for fat burning, the middle number is the heart rate for maximum fat burning, and the highest number is the heart rate for aerobic exercise.

**Burning Fat**—To burn fat effectively, you must exercise at a low intensity level for a sustained period of time. During the first few minutes of exercise, your body uses *carbohydrate calories* for energy. Only after the first few minutes of exercise does your body begin to use stored *fat calories* for energy. If your goal is to burn fat, adjust the intensity of your exercise until your heart rate is near the lowest number in your training zone. For maximum fat burning, exercise with your heart rate near the middle number in your training zone.

**Aerobic Exercise**—If your goal is to strengthen your cardiovascular system, you must perform aerobic exercise, which is activity that requires large amounts of oxygen for prolonged periods of time. For aerobic exercise, adjust the intensity of your exercise until your heart rate is near the highest number in your training zone.

## WORKOUT GUIDELINES

**Warming Up**—Start with 5 to 10 minutes of stretching and light exercise. A warm-up increases your body temperature, heart rate, and circulation in preparation for exercise.

**Training Zone Exercise**—Exercise for 20 to 30 minutes with your heart rate in your training zone. (During the first few weeks of your exercise program, do not keep your heart rate in your training zone for longer than 20 minutes.) Breathe regularly and deeply as you exercise—never hold your breath.

**Cooling Down**—Finish with 5 to 10 minutes of stretching. Stretching increases the flexibility of your muscles and helps to prevent post-exercise problems.

## EXERCISE FREQUENCY

To maintain or improve your condition, complete three workouts each week, with at least one day of rest between workouts. After a few months of regular exercise, you may complete up to five workouts each week, if desired. Remember, the key to success is to make exercise a regular and enjoyable part of your everyday life.

## SUGGESTED STRETCHES

The correct form for several basic stretches is shown at the right. Move slowly as you stretch—never bounce.

### 1. Toe Touch Stretch

Stand with your knees bent slightly and slowly bend forward from your hips. Allow your back and shoulders to relax as you reach down toward your toes as far as possible. Hold for 15 counts, then relax. Repeat 3 times. Stretches: Hamstrings, back of knees and back.

### 2. Hamstring Stretch

Sit with one leg extended. Bring the sole of the opposite foot toward you and rest it against the inner thigh of your extended leg. Reach toward your toes as far as possible. Hold for 15 counts, then relax. Repeat 3 times for each leg. Stretches: Hamstrings, lower back and groin.

### 3. Calf/Achilles Stretch

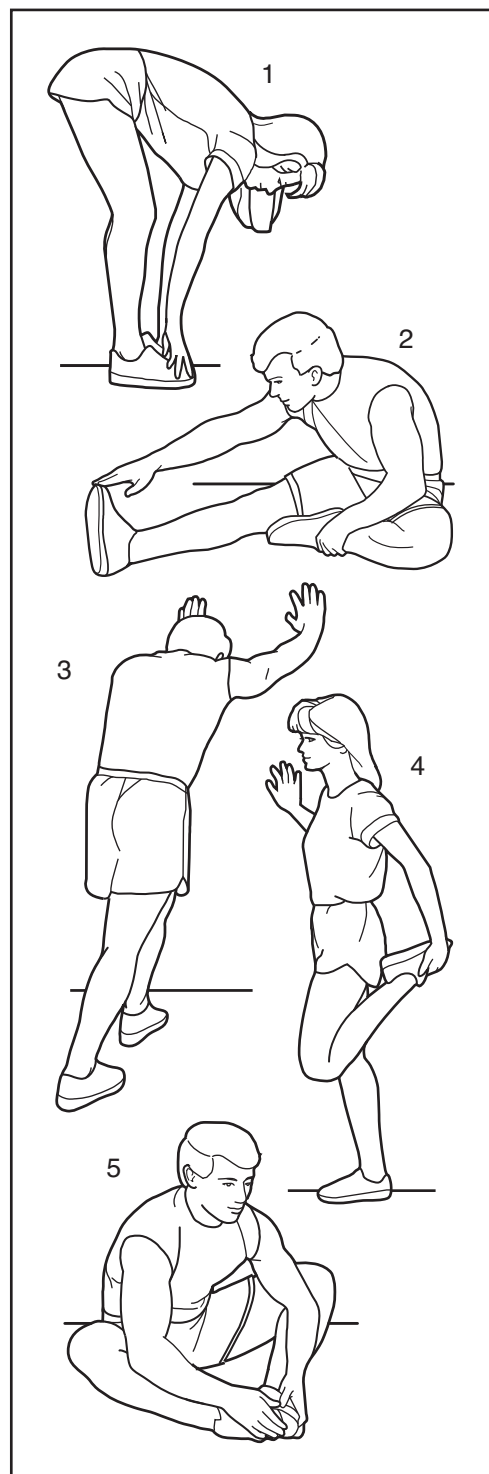
With one leg in front of the other, reach forward and place your hands against a wall. Keep your back leg straight and your back foot flat on the floor. Bend your front leg, lean forward and move your hips toward the wall. Hold for 15 counts, then relax. Repeat 3 times for each leg. To cause further stretching of the achilles tendons, bend your back leg as well. Stretches: Calves, achilles tendons and ankles.

### 4. Quadriceps Stretch

With one hand against a wall for balance, reach back and grasp one foot with your other hand. Bring your heel as close to your buttocks as possible. Hold for 15 counts, then relax. Repeat 3 times for each leg. Stretches: Quadriceps and hip muscles.

### 5. Inner Thigh Stretch

Sit with the soles of your feet together and your knees outward. Pull your feet toward your groin area as far as possible. Hold for 15 counts, then relax. Repeat 3 times. Stretches: Quadriceps and hip muscles.



# PART LIST—Model No. WLEL31910.0

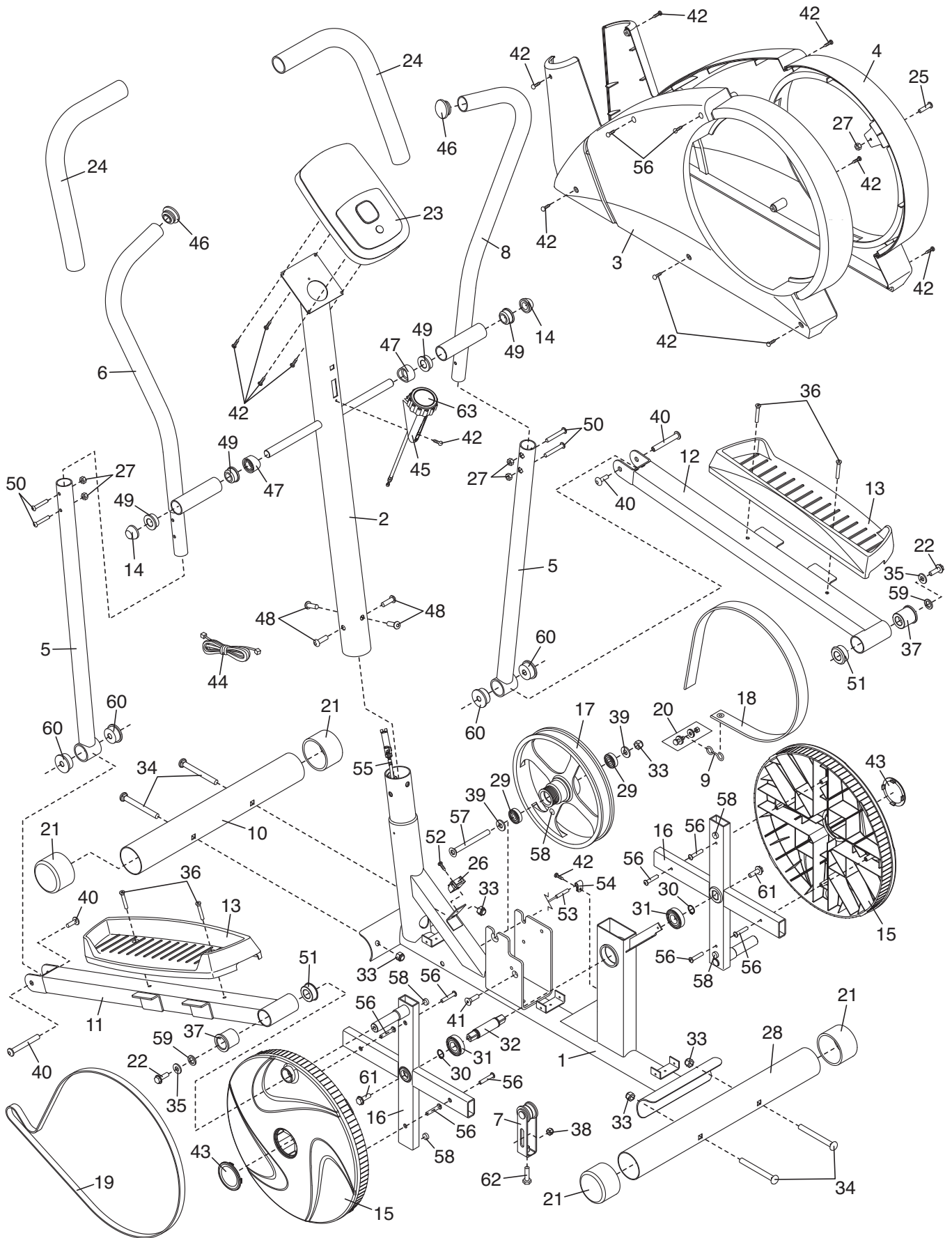
R0610A

Key No.	Qty.	Description	Key No.	Qty.	Description
1	1	Frame	34	4	M10 x 75mm Carriage Bolt
2	1	Upright	35	2	M10 Washer
3	1	Left Shield	36	4	M6 x 45mm Flat Head Screw
4	1	Right Shield	37	2	Pedal Arm Bushing
5	2	Upper Body Leg	38	1	M8 Locknut
6	1	Left Upper Body Arm	39	2	M10 Small Washer
7	1	Idler Assembly	40	2	Pedal Arm Bolt Set
8	1	Right Upper Body Arm	41	1	M8 x 22mm Flat Head Screw
9	1	Hook	42	14	M4 x 16mm Screw
10	1	Front Stabilizer	43	2	Disc Cover
11	1	Left Pedal Arm	44	1	Upper Wire
12	1	Right Pedal Arm	45	1	Resistance Control/Cable
13	2	Pedal	46	2	Arm Cap
14	2	Axle Cap	47	2	Arm Spacer
15	2	Pedal Disc	48	4	M10 x 15mm Patch Screw
16	2	Disc Crossbar	49	4	Small Arm Bushing
17	1	Flywheel	50	4	M6 x 38mm Button Bolt
18	1	Resistance Strap	51	2	Inner Pedal Arm Bushing
19	1	Drive Belt	52	1	M4 x 16mm Flat Head Screw
20	1	Hook Clamp	53	1	Reed Switch/Wire
21	4	Stabilizer Cap	54	1	Reed Switch Clamp
22	2	M10 x 25mm Patch Screw	55	1	Lower Resistance Cable
23	1	Console	56	10	M4 x 25mm Screw
24	2	Handgrip	57	1	M10 Flat Head Bolt
25	1	M6 x 16mm Bolt	58	5	Magnet
26	1	Strap Clamp	59	2	Wave Washer
27	5	M6 Locknut	60	4	Large Arm Bushing
28	1	Rear Stabilizer	61	2	3/8" x 25.4mm Hex Bolt
29	2	Flywheel Bearing	62	1	M10 x 60mm Bolt
30	2	Large Snap Ring	63	1	Resistance Knob
31	2	Large Bearing	*	—	Assembly Tool
32	1	Pedal Axle	*	—	Grease Packet
33	5	M10 Locknut	*	—	User's Manual

Note: Specifications are subject to change without notice. For information about ordering replacement parts, See the back cover of this manual. \*These parts are not illustrated.

# EXPLODED DRAWING—Model No. WLEL31910.0

R0610A



---

# ORDERING REPLACEMENT PARTS

To order replacement parts, please see the front cover of this manual. To help us assist you, be prepared to provide the following information when contacting us:

- the model number and serial number of the product (see the front cover of this manual)
- the name of the product (see the front cover of this manual)
- the key number and description of the replacement part(s) (see the PART LIST and the EXPLODED DRAWING near the end of this manual)

## LIMITED WARRANTY

**IMPORTANT: You must register this product within 30 days of the purchase date to avoid added fees for service needed under warranty. Go to [www.wesloservice.com/registration](http://www.wesloservice.com/registration).**

ICON Health & Fitness, Inc. (ICON) warrants this product to be free from defects in workmanship and material, under normal use and service conditions. Parts and labor are warranted for ninety (90) days from the date of purchase.

This warranty extends only to the original purchaser. ICON's obligation under this warranty is limited to repairing or replacing, at ICON's option, the product through one of its authorized service centers. All repairs for which warranty claims are made must be preauthorized by ICON. If the product is shipped to a service center, freight charges to and from the service center will be the customer's responsibility. For replacement parts shipped while the product is under warranty, the customer will be responsible for a minimal handling charge. For in-home service, the customer will be responsible for a minimal trip charge. This warranty does not extend to any damage to a product caused by or attributable to freight damage, abuse, misuse, improper or abnormal usage, or repairs not provided by an ICON authorized service center; products used for commercial or rental purposes; or products used as store display models. No other warranty beyond that specifically set forth above is authorized by ICON.

ICON is not responsible or liable for indirect, special, or consequential damages arising out of or in connection with the use or performance of the product; damages with respect to any economic loss, loss of property, loss of revenues or profits, loss of enjoyment or use, or costs of removal or installation; or other consequential damages of whatsoever nature. Some states do not allow the exclusion or limitation of incidental or consequential damages. Accordingly, the above limitation may not apply to you.

The warranty extended hereunder is in lieu of any and all other warranties, and any implied warranties of merchantability or fitness for a particular purpose are limited in their scope and duration to the terms set forth herein. Some states do not allow limitations on how long an implied warranty lasts. Accordingly, the above limitation may not apply to you.

This warranty gives you specific legal rights. You may also have other rights that vary from state to state.

**ICON Health & Fitness, Inc., 1500 S. 1000 W., Logan, UT 84321-9813**