

WESLO®

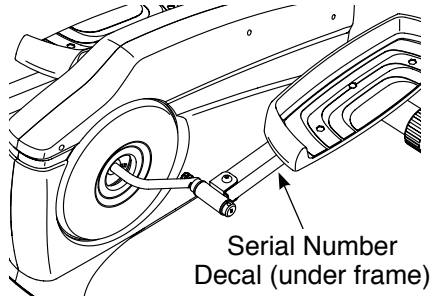
momentum G 3.1

www.weslo.com

Model No. WLEL61610.0

Serial No. _____

Write the serial number in the space above for reference.



USER'S MANUAL

QUESTIONS?

If you have questions, or if parts are damaged or missing, **DO NOT CONTACT THE STORE**; please contact Customer Care.

IMPORTANT: Please register this product (see the limited warranty on the back cover of this manual) before contacting Customer Care.

CALL TOLL-FREE:

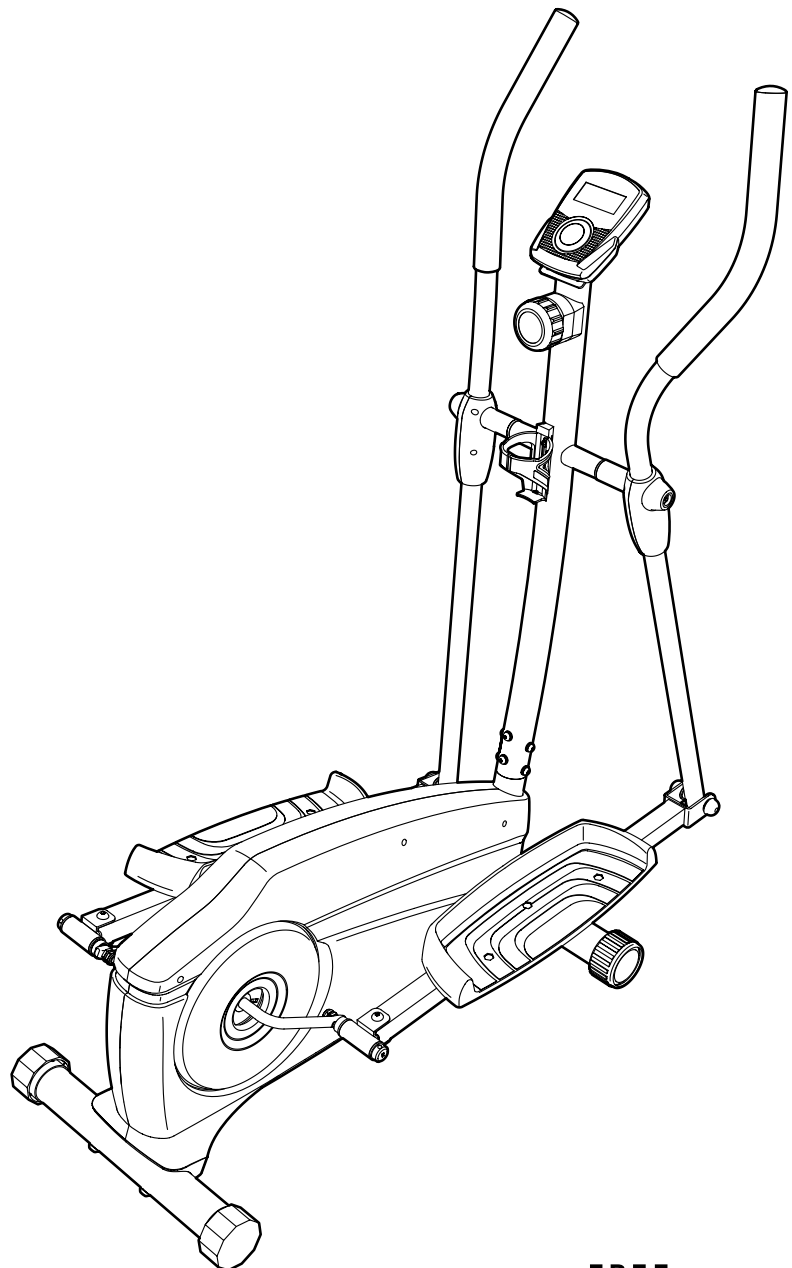
1-866-699-3756

Mon.–Fri., 6 a.m.–6 p.m. MT

Sat. 8 a.m.–4 p.m. MT

ON THE WEB:

www.wesloservice.com



CAUTION

Read all precautions and instructions in this manual before using this equipment. Keep this manual for future reference.

FREE

  HOW-TO VIDEOS

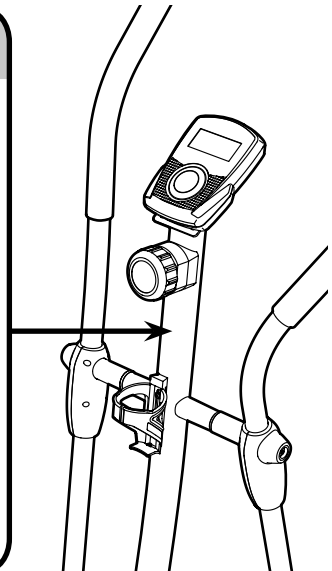
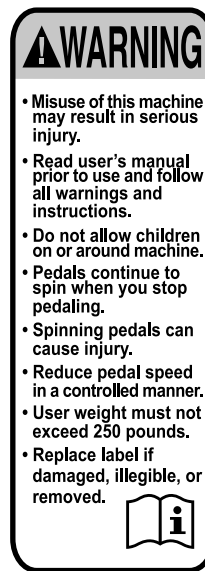
www.iFit.com

TABLE OF CONTENTS

WARNING DECAL PLACEMENT	2
IMPORTANT PRECAUTIONS.....	3
BEFORE YOU BEGIN.....	4
PART IDENTIFICATION CHART.....	5
ASSEMBLY.....	6
HOW TO USE THE ELLIPTICAL.....	12
MAINTENANCE AND TROUBLESHOOTING.....	15
EXERCISE GUIDELINES.....	16
PART LIST.....	17
EXPLODED DRAWING.....	18
ORDERING REPLACEMENT PARTS.....	Back Cover
LIMITED WARRANTY.....	Back Cover

WARNING DECAL PLACEMENT

This drawing shows the location(s) of the warning decal(s). **If a decal is missing or illegible, see the front cover of this manual and request a free replacement decal. Apply the decal in the location shown.** Note: The decal(s) may not be shown at actual size.



IMPORTANT PRECAUTIONS

⚠️ WARNING: To reduce the risk of serious injury, read all important precautions and instructions in this manual and all warnings on your elliptical before using your elliptical. ICON assumes no responsibility for personal injury or property damage sustained by or through the use of this product.

1. Before beginning any exercise program, consult your physician. This is especially important for persons over age 35 or persons with pre-existing health problems.
2. Use the elliptical only as described in this manual.
3. It is the responsibility of the owner to ensure that all users of the elliptical are adequately informed of all precautions.
4. The elliptical is intended for home use only. Do not use the elliptical in a commercial, rental, or institutional setting.
5. Keep the elliptical indoors, away from moisture and dust. Do not put the elliptical in a garage or covered patio, or near water.
6. Place the elliptical on a level surface, with at least 3 ft. (0.9 m) of clearance in the front and rear of the elliptical and 2 ft. (0.6 m) on each side. To protect the floor or carpet from damage, place a mat under the elliptical.
7. Inspect and properly tighten all parts regularly. Replace any worn parts immediately.
8. Keep children under age 12 and pets away from the elliptical at all times.
9. The elliptical should not be used by persons weighing more than 250 lbs. (113 kg).
10. Wear appropriate clothes while exercising; do not wear loose clothes that could become caught on the elliptical. Always wear athletic shoes for foot protection while exercising.
11. Hold the upper body arms when mounting, dismounting, or using the elliptical.
12. The elliptical does not have a freewheel; the pedals will continue to move until the flywheel stops. Reduce your pedaling speed in a controlled way.
13. Keep your back straight while using the elliptical; do not arch your back.
14. Over exercising may result in serious injury or death. If you feel faint or if you experience pain while exercising, stop immediately and cool down.

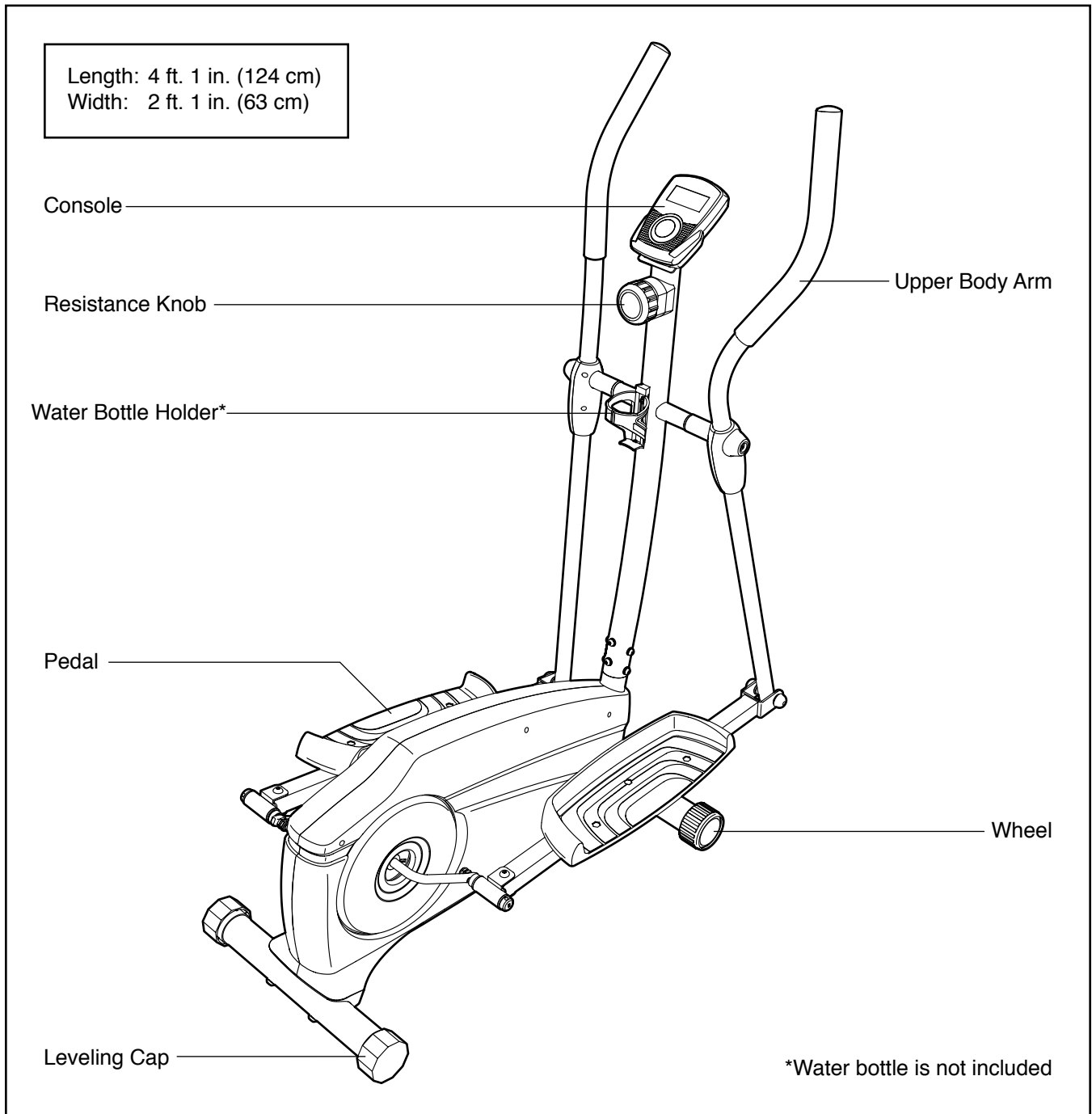
BEFORE YOU BEGIN

Thank you for selecting the revolutionary WESLO® MOMENTUM G 3.1 elliptical. The MOMENTUM G 3.1 elliptical provides a selection of features designed to make your workouts at home more effective and enjoyable.

For your benefit, read this manual carefully before you use the elliptical. If you have questions after

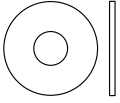


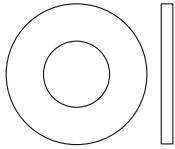
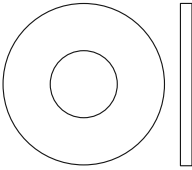
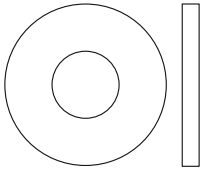
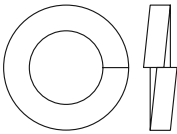
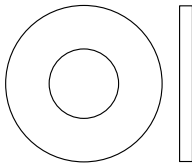
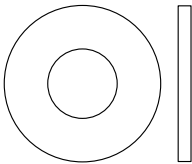
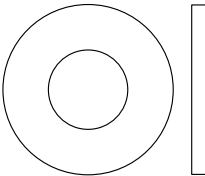
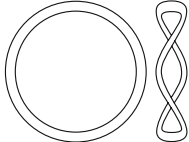
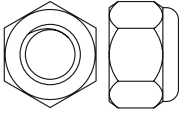
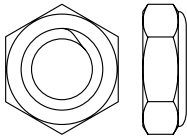
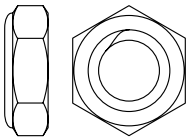
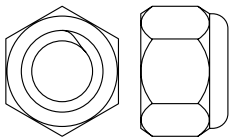
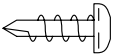
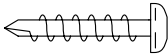
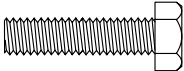
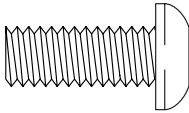
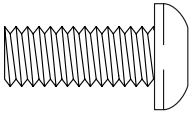
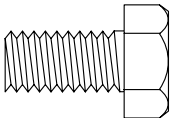
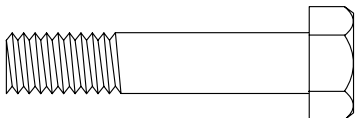
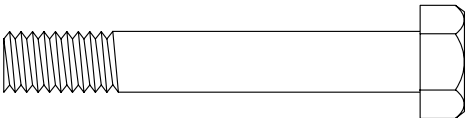
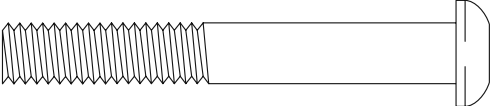
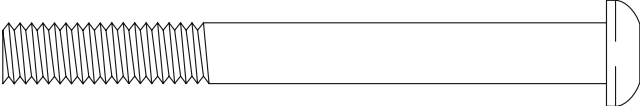
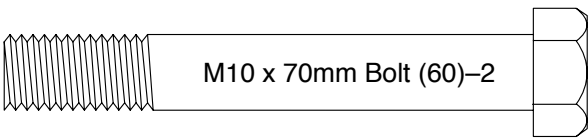
reading this manual, please see the front cover of this manual. To help us assist you, note the product model number and serial number before contacting us. The model number and the location of the serial number decal are shown on the front cover of this manual.

Before reading further, please familiarize yourself with the parts that are labeled in the drawing below.



PART IDENTIFICATION CHART

Use the drawings below to identify the small parts needed for assembly. The number in parentheses below each drawing is the key number of the part, from the PART LIST near the end of this manual. The number following the key number is the quantity needed for assembly. **Note: If a part is not in the hardware kit, check to see if it has been preassembled. Extra parts may be included.**

					
M4 Washer (71)-2	M5 Washer (77)-1	M8 Split Washer (63)-9	M8 Washer (55)-21	M8 Large Washer (72)-2	Plastic Washer (27)-2
					
M10 Split Washer (78)-4	M10 Special Washer (80)-4	Nylon Washer (73)-4	M10 Washer (62)-4	Wave Washer (74)-4	
					
M8 Locknut (58)-12	Left Thin Locknut (86)-2	Right Thin Locknut (36)-2	M10 Locknut (53)-2		
					
ST4.2 x 12mm Self-tapping Screw (66)-12	ST4.2 x 20mm Self-tapping Screw (68)-2	M5 x 20mm Screw (76)-1	M8 x 20mm Button Screw (54)-3	M8 x 20mm Socket Screw (57)-2	
					
M8 x 16mm Bolt (52)-4	M8 x 40mm Bolt (56)-4	M8 x 55mm Bolt (61)-2			
					
M8 x 60mm Button Bolt (87)-2	M8 x 80mm Button Screw (51)-4				
					
	M10 x 70mm Bolt (60)-2				

ASSEMBLY

- To hire an authorized service technician to assemble the elliptical, call 1-800-445-2480.
- Assembly requires two persons.
- Place all parts in a cleared area and remove the packing materials. Do not dispose of the packing materials until you complete all assembly steps.
- To identify small parts, see page 5.

- In addition to the included tool(s), assembly requires the following tools:

one Phillips screwdriver 

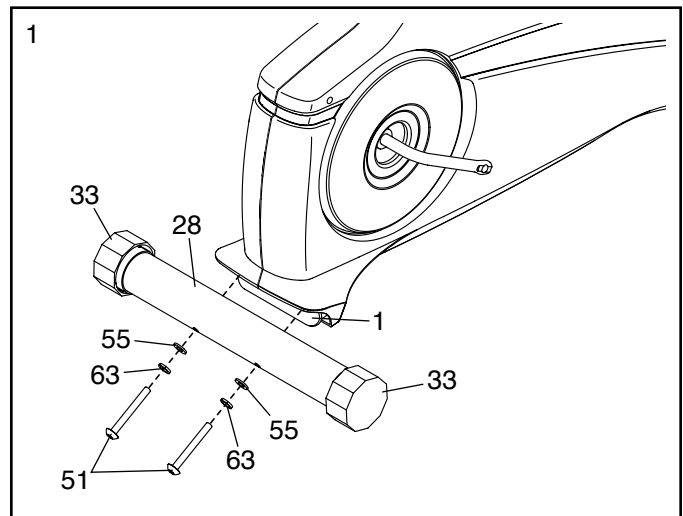
one adjustable wrench 

pliers 

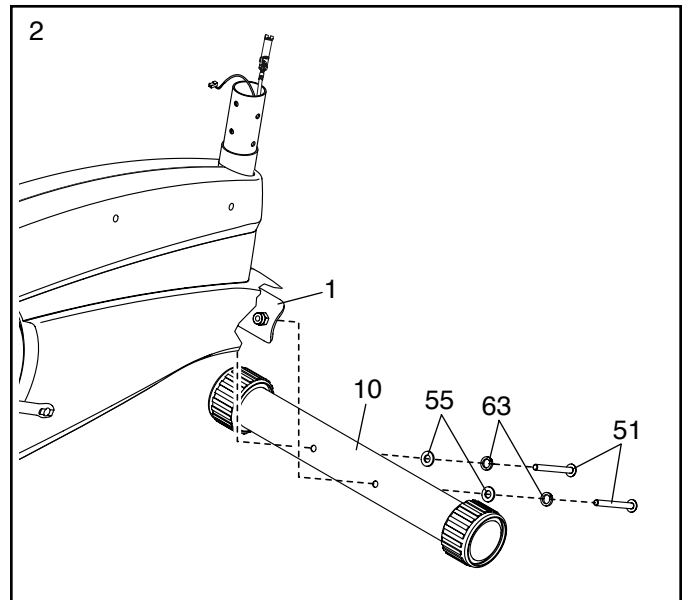
Assembly may be easier if you have a socket set or a set of ratchet wrenches. To avoid damaging parts, do not use power tools.

1. Identify the Rear Stabilizer (28), which has a Leveling Cap (33) on each end.

While a second person lifts the rear of the Frame (1), attach the Rear Stabilizer (28) to the Frame with two M8 x 80mm Button Screws (51), two M8 Split Washers (63), and two M8 Washers (55).



2. While a second person lifts the front of the Frame (1), attach the Front Stabilizer (10) to the Frame with two M8 x 80mm Button Screws (51), two M8 Split Washers (63), and two M8 Washers (55).

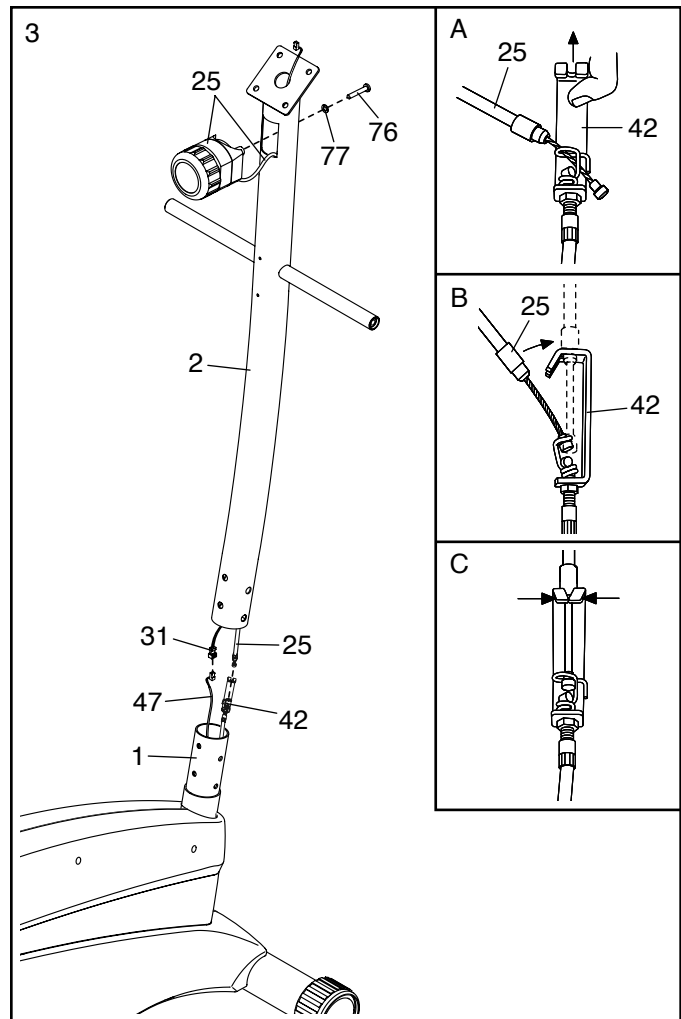


3. Insert the Resistance Cable (25) through the Upright (2) as shown. Then, attach the Resistance Control (25) to the Upright with an M5 x 20mm Screw (76) and an M5 Washer (77).

While a second person holds the Upright (2) near the Frame (1), connect the Wire Harness (31) to the Reed Switch Wire (47).

Next, connect the Resistance Cable (25) to the Lower Cable (42) in the following way:

- **See inset drawing A.** Pull upward on the metal bracket on the Lower Cable (42), and insert the tip of the Resistance Cable (25) into the wire clip inside of the metal bracket.
- **See inset drawing B.** Firmly pull the Resistance Cable (25) and slide it into the metal bracket on the Lower Cable (42) as shown.
- **See inset drawing C.** Using pliers, squeeze together the prongs on the upper end of the metal bracket.

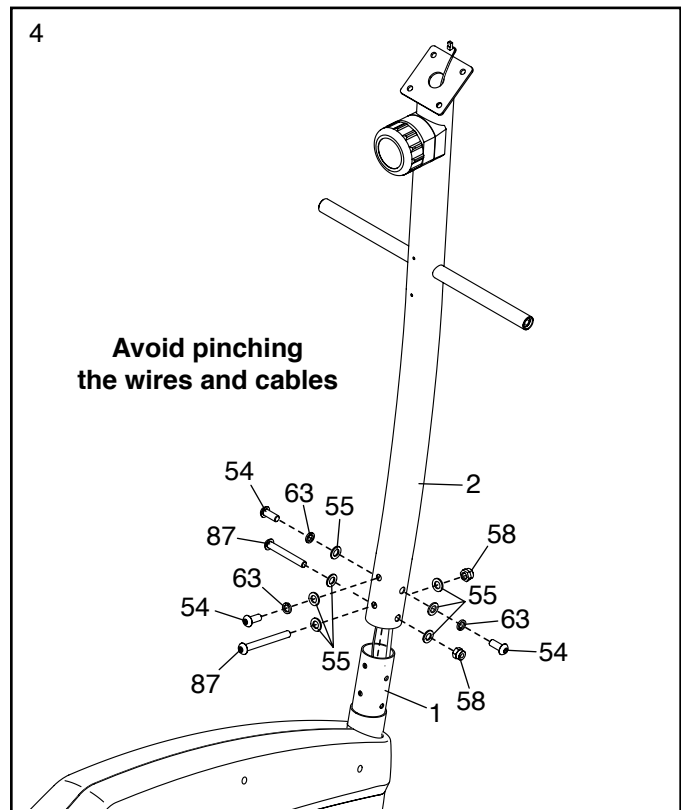


4. **Tip: Avoid pinching the wires and cables during this step.**

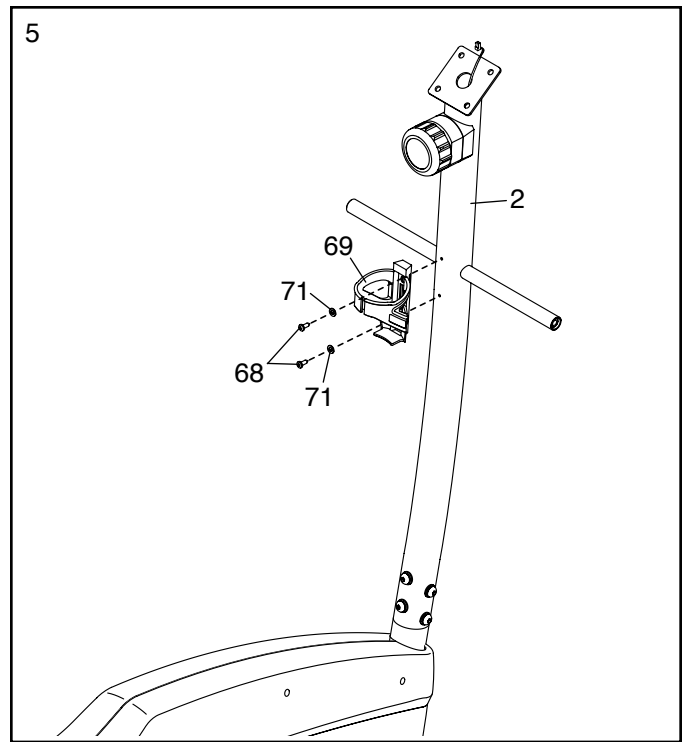
Slide the Upright (2) onto the Frame (1).

Attach the Upright (2) with three M8 x 20mm Button Screws (54), three M8 Split Washers (63), and three M8 Washers (55). **Do not tighten the Button Screws yet.**

Then, attach the Upright (2) with two M8 x 60mm Button Bolts (87), four M8 Washers (55), and two M8 Locknuts (58). **Do not tighten the Locknuts yet.**



5. Attach the Water Bottle Holder (69) to the Upright (2) with two ST4.2 x 20mm Self-tapping Screws (68) and two M4 Washers (71).

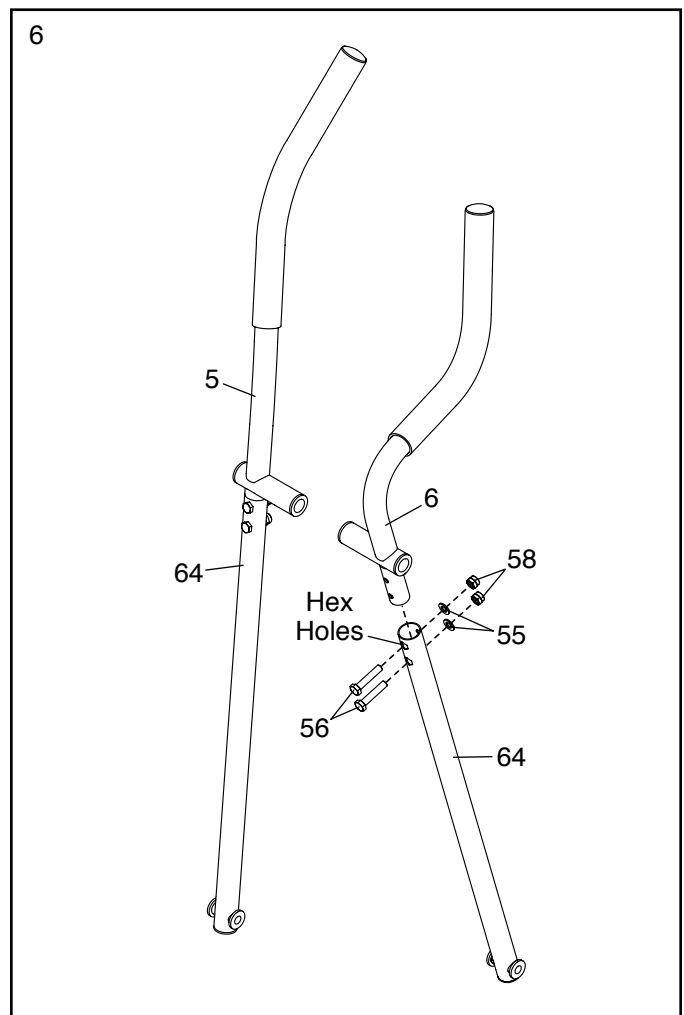


6. Identify the Right Upper Body Arm (6), which is marked with a sticker, and orient it as shown.

Next, orient an Upper Body Leg (64) so that the hexagonal holes are on the side shown.

Insert the Right Upper Body Arm (6) into the Upper Body Leg (64). Attach the Right Upper Body Arm with two M8 x 40mm Bolts (56), two M8 Washers (55), and two M8 Locknuts (58). **Make sure that the heads of the Bolts are inside of the hexagonal holes.**

Attach the Left Upper Body Arm (5) to the other Upper Body Leg (64) in the same way.



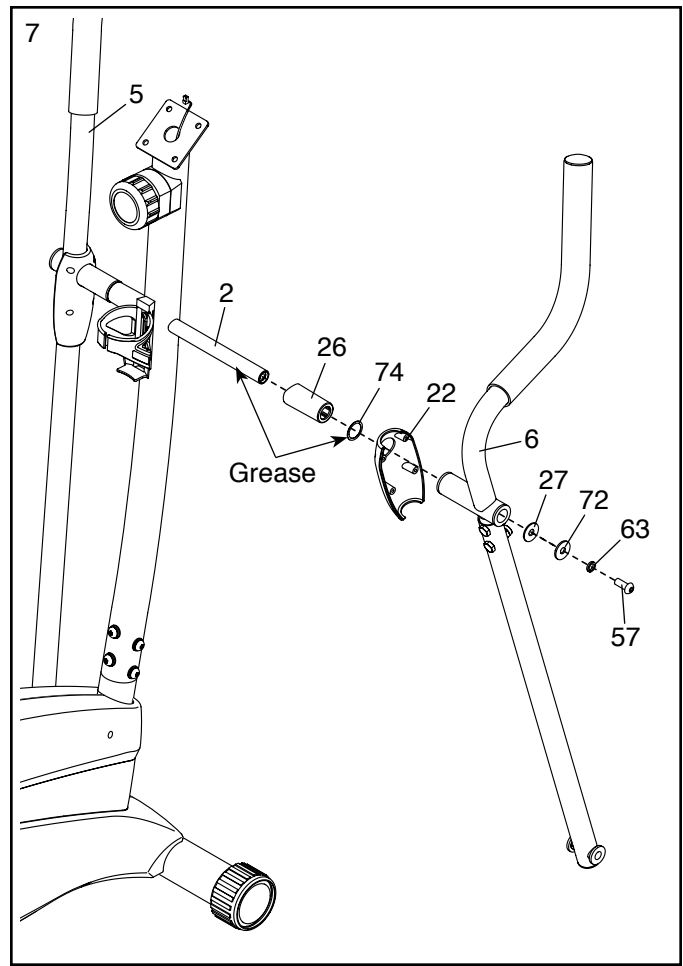
7. Using a plastic bag to keep your hands clean, apply a generous amount of the included grease to the right axle on the Upright (2) and to a Wave Washer (74).

Next, orient an Upright Spacer (26) as shown. Slide the Upright Spacer and the Wave Washer (74) onto the right axle on the Upright (2).

Next, slide an Inner Cover (22) onto the Right Upper Body Arm (6), and slide the Right Upper Body Arm onto the right axle on the Upright (2).

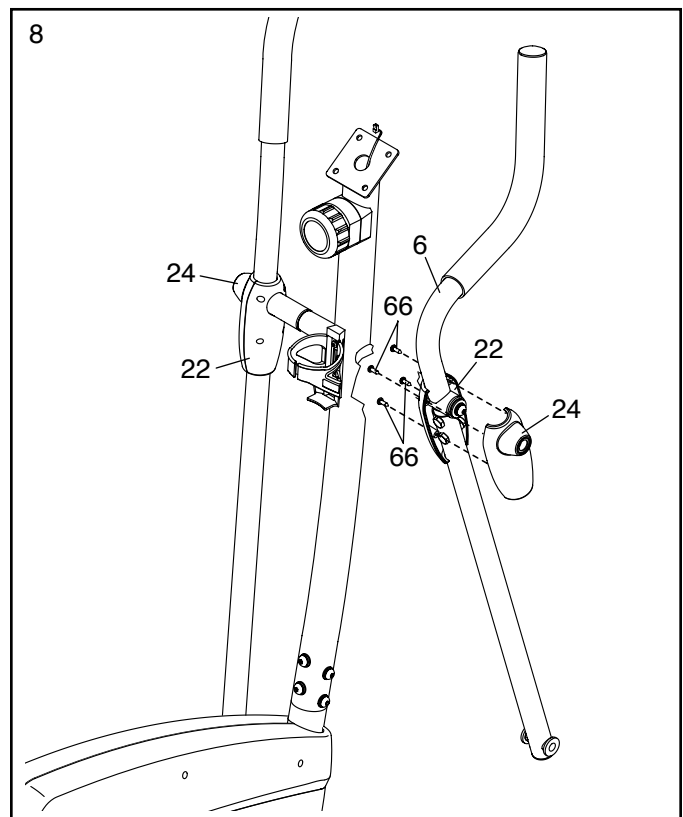
Attach the Right Upper Body Arm (6) with an M8 x 20mm Socket Screw (57), an M8 Split Washer (63), an M8 Large Washer (72), and a Plastic Washer (27) as shown.

Attach the Left Upper Body Arm (5) in the same way.



8. Attach an Outer Cover (24) to the Inner Cover (22) on the Right Upper Body Arm (6) with four ST4.2 x 12mm Self-tapping Screws (66).

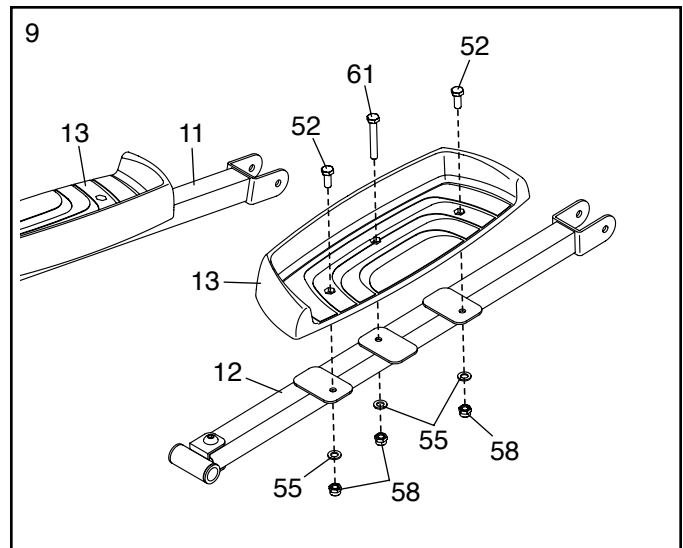
Attach the other Outer Cover (24) to the other Inner Cover (22) in the same way.



9. Identify the Right Pedal Arm (12), which is marked with a sticker. Orient the Right Pedal Arm and one of the Pedals (13) as shown.

Attach the Pedal (13) to the Right Pedal Arm (12) with two M8 x 16mm Bolts (52), an M8 x 55mm Bolt (61), three M8 Washers (55), and three M8 Locknuts (58).

Attach the other Pedal (13) to the Left Pedal Arm (11) in the same way.



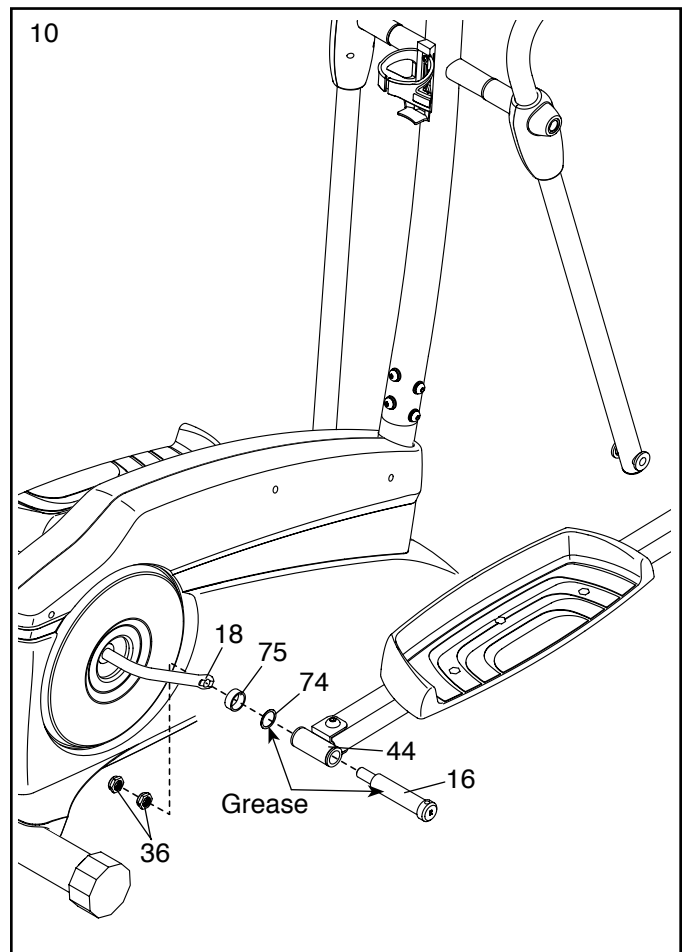
10. Identify the Right Crank Axle (16), which is marked with an "R."

Apply grease to the Right Crank Axle (16) and to a Wave Washer (74).

Insert the Right Crank Axle (16) into the right Pedal Arm Bracket (44). Next, slide the Wave Washer (74) and a Crank Spacer (75) onto the Right Crank Axle.

Firmly tighten the Right Crank Axle (16) **clockwise** into the right arm of the Crank (18). Then, **firmly tighten** the two Right Thin Locknuts (36) **clockwise** onto the Right Crank Axle.

Repeat this step on the left side of the elliptical. Note: Turn the Left Crank Axle (not shown) and the Left Thin Locknuts (not shown) **counterclockwise** to tighten them.

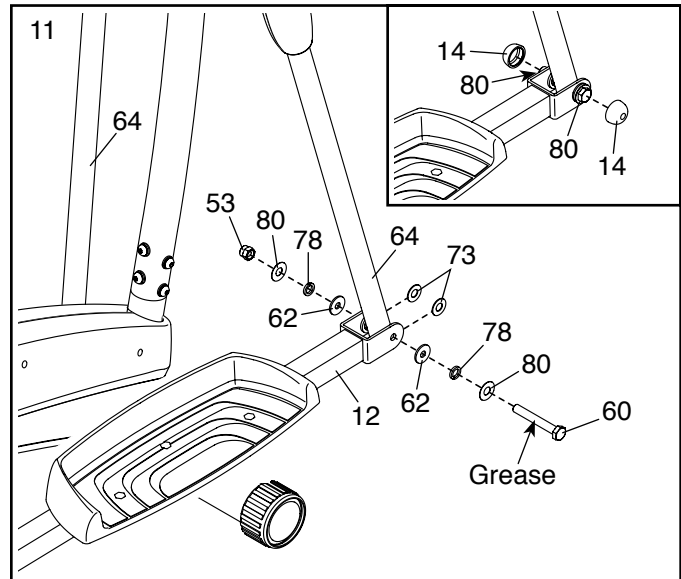


11. Apply grease to an M10 x 70mm Bolt (60).

Attach the Right Pedal Arm (12) to the right Upper Body Leg (64) with the M10 x 70mm Bolt (60), two M10 Special Washers (80), two M10 Split Washers (78), two M10 Washers (62), two Nylon Washers (73), and an M10 Locknut (53) as shown. **Make sure that the Nylon Washers are between the Upper Body Leg and the bracket on the Right Pedal Arm.**

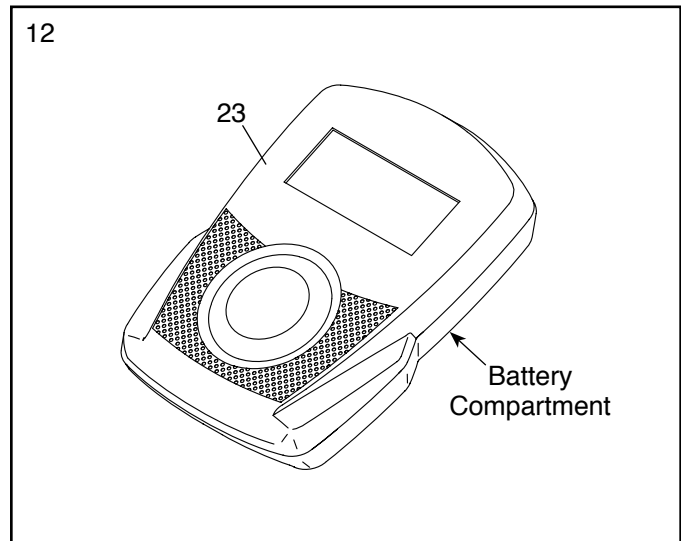
See the inset drawing. Press a Dome Cap (14) firmly onto each M10 Special Washer (80); the Dome Caps will snap onto the Special Washers.

Attach the Left Pedal Arm (not shown) to the left Upper Body Leg (64) in the same way.



12. The Console (23) can use four AA batteries (not included); alkaline batteries are recommended. Do not use old and new batteries together or alkaline, standard, and rechargeable batteries together. **IMPORTANT: If the Console has been exposed to cold temperatures, allow it to warm to room temperature before inserting batteries. Otherwise, you may damage the console or other electronic components.**

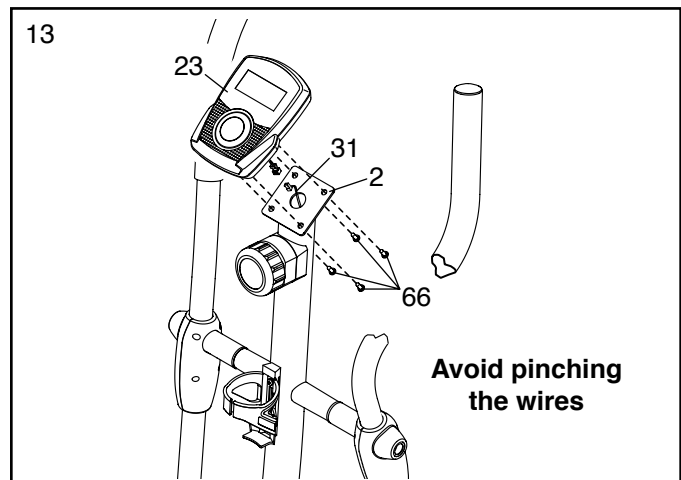
Remove the battery cover from the back of the Console (23), and insert batteries into the battery compartment. **Make sure to orient the batteries as shown by the diagram inside the battery compartment.** Then, reattach the battery cover.



13. While a second person holds the Console (23) near the Upright (2), connect the console wire to the Wire Harness (31). Insert the excess wire into the Console (23) or into the Upright (2).

Tip: Be careful to avoid pinching the wires. Attach the Console (23) to the Upright (2) with four ST4.2 x 12mm Self-tapping Screws (66).

See step 4. Tighten the three M8 x 20mm Button Screws (54) and the three M8 Locknuts (58).

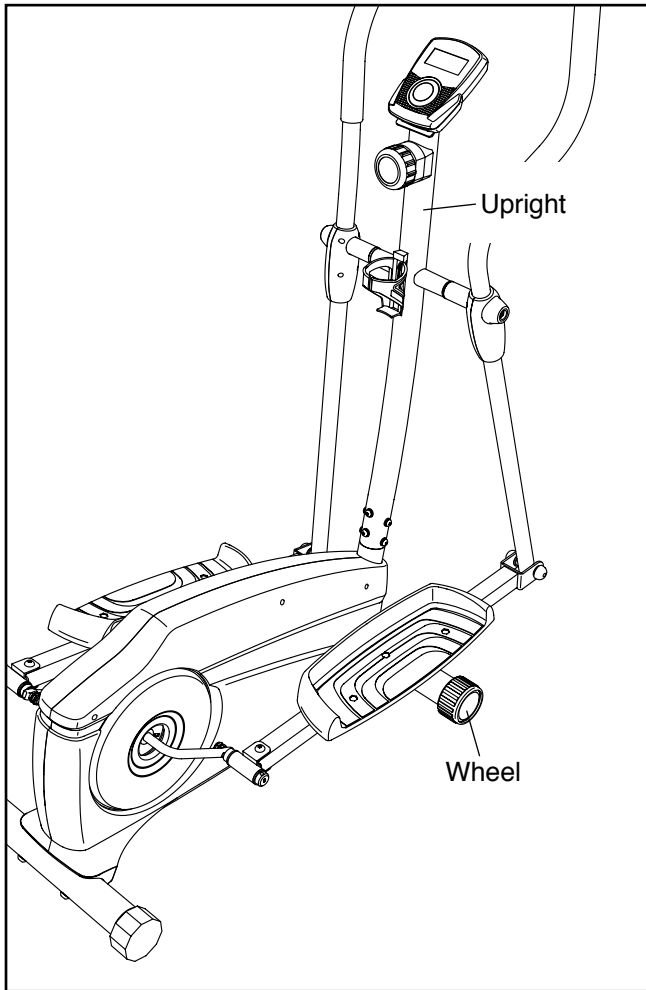


14. **Make sure that all parts of the elliptical are properly tightened.** Note: Extra hardware may be left over after assembly is completed. To protect the floor or carpet from damage, place a mat under the elliptical.

HOW TO USE THE ELLIPTICAL

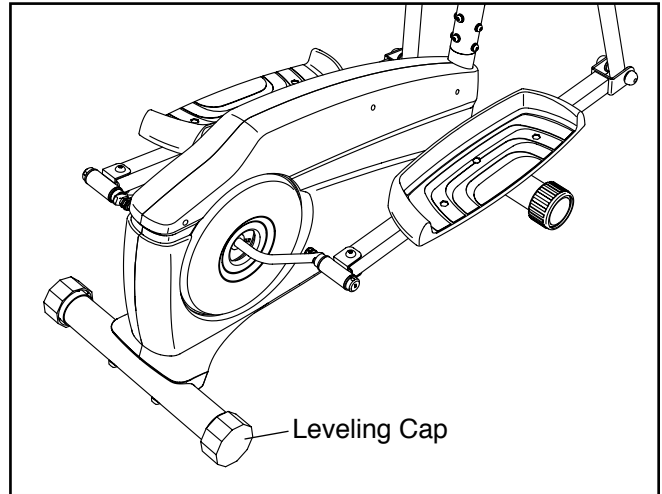
HOW TO MOVE THE ELLIPTICAL

To move the elliptical, first stand in front of the elliptical, hold the upright, and place one foot against one of the wheels. Next, pull the upright until the elliptical rolls on the wheels. Carefully move the elliptical to the desired position, and then lower it to the floor.



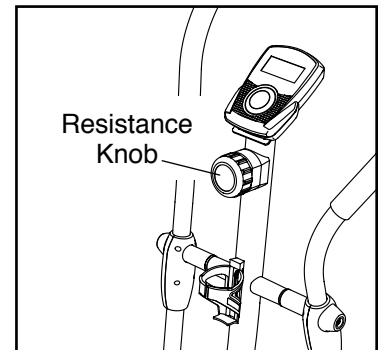
HOW TO LEVEL THE ELLIPTICAL

If the elliptical rocks slightly on your floor during use, turn one or both of the leveling caps on the rear stabilizer until the rocking motion is eliminated.



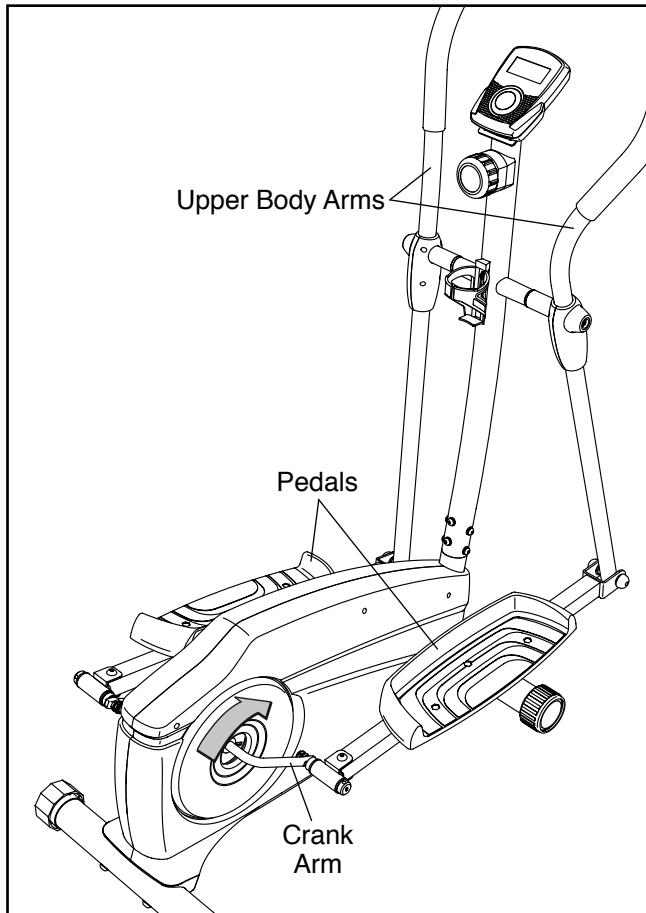
HOW TO ADJUST THE RESISTANCE

To vary the intensity of your exercise, you can adjust the amount of pedaling resistance. To increase the resistance, turn the resistance knob clockwise. To decrease the resistance, turn the resistance knob counterclockwise.



HOW TO EXERCISE ON THE ELLIPTICAL

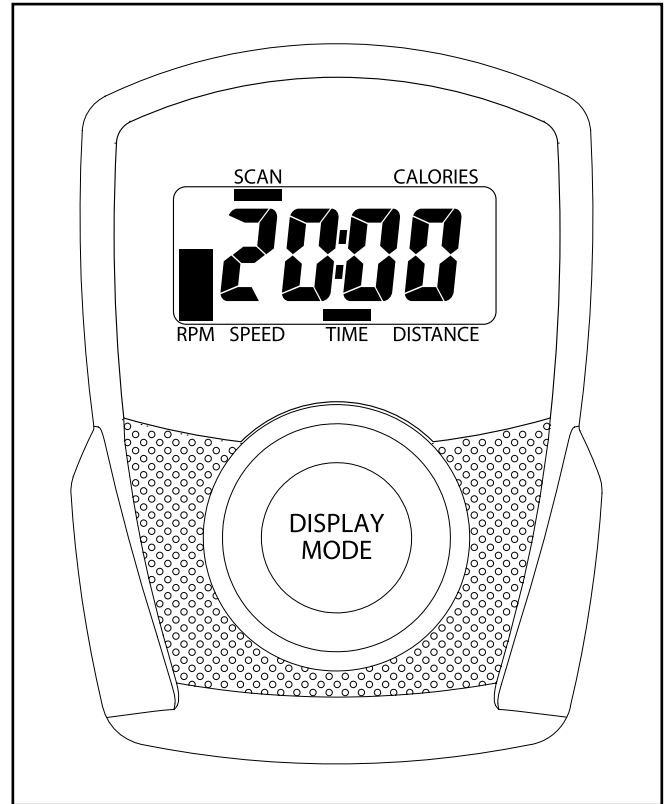
To mount the elliptical, hold the upper body arms and step onto the pedal that is in the lowest position. Next, step onto the other pedal. Push the pedals until they begin to move with a continuous motion. **Note: The crank arms can turn in either direction. It is recommended that you turn the crank arms in the direction shown by the arrow; however, for variety, you can turn the crank arms in the opposite direction.**



To dismount the elliptical, wait until the pedals come to a complete stop. **Note: The elliptical does not have a free wheel; the pedals will continue to move until the flywheel stops.** When the pedals are stationary, step off the highest pedal first. Then, step off the lowest pedal.

FEATURES OF THE CONSOLE

The console offers a selection of features designed to make your workouts more effective. As you pedal, the console will provide continuous exercise feedback.



Before using the console, make sure that batteries are installed (see assembly step 12 on page 11). If there is a sheet of plastic on the display, remove the plastic.

HOW TO USE THE CONSOLE

1. Turn on the console.

To turn on the console, press the Display Mode button or begin pedaling. The display will turn on for a moment; the console will then be ready for use.

2. Follow your progress with the display.

The display can show the following workout information:

RPM—The RPM meter on the left side of the display indicates your approximate pedaling pace (revolutions per minute).

Speed—This mode shows your pedaling speed in revolutions per minute (rpm).

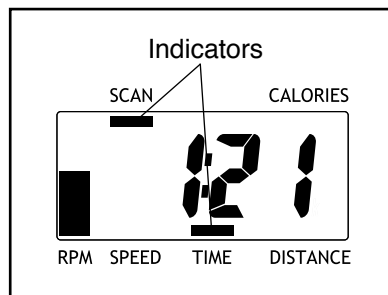
Time—This mode shows the elapsed time.

Distance—This mode shows the distance you have pedaled, in miles or kilometers.

Calories—This mode shows the approximate number of calories you have burned.

Scan—This mode shows the speed, time, distance, and calories modes, for a few seconds each, in a repeating cycle.

When you turn on the power, the scan mode will be selected automatically. One indicator will appear below the word Scan to show that the scan mode is selected, and a second indicator will show which information is currently displayed. Note: If you have selected a different mode, press the Display Mode button repeatedly to reselect the Scan mode.



To select the speed, time, distance, or calories mode for continuous display, press the Display Mode button repeatedly.

Indicators will show which mode is selected. Make sure that there is not an indicator below the word Scan.

The console can show speed and distance in either miles or kilometers. The letters "mph" or "km/h" will appear in the display to show which unit of measurement is selected.

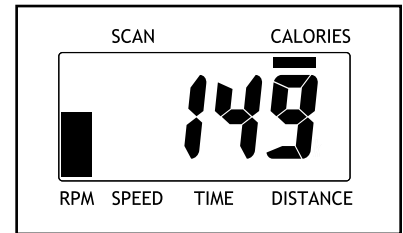
To change the unit of measurement, first hold down the Display Mode button for a few seconds. The newly selected unit of measurement will appear in the display. Repeat this action to change the unit of measurement again.

Note: When the batteries are replaced, it may be necessary to reselect the desired unit of measurement.

To pause the console, stop pedaling. If the time is displayed, it will flash. To continue your workout, simply resume pedaling.

3. When you are finished exercising, the console will turn off automatically.

If the pedals do not move for a few seconds, the console will pause. If the pedals do not move for a few minutes, the console will turn off and the display will be reset.



MAINTENANCE AND TROUBLESHOOTING

Inspect and tighten all parts of the elliptical regularly. Replace any worn parts immediately.

To clean the elliptical, use a damp cloth and a small amount of mild soap. **IMPORTANT: To avoid damage to the console, keep liquids away from the console and keep the console out of direct sunlight.**

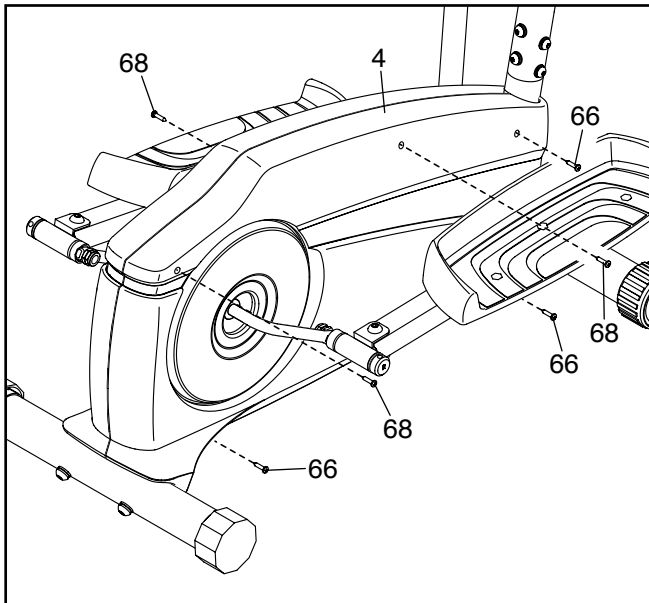
CONSOLE TROUBLESHOOTING

Most console problems are the result of low batteries. See assembly step 12 on page 11 for replacement instructions.

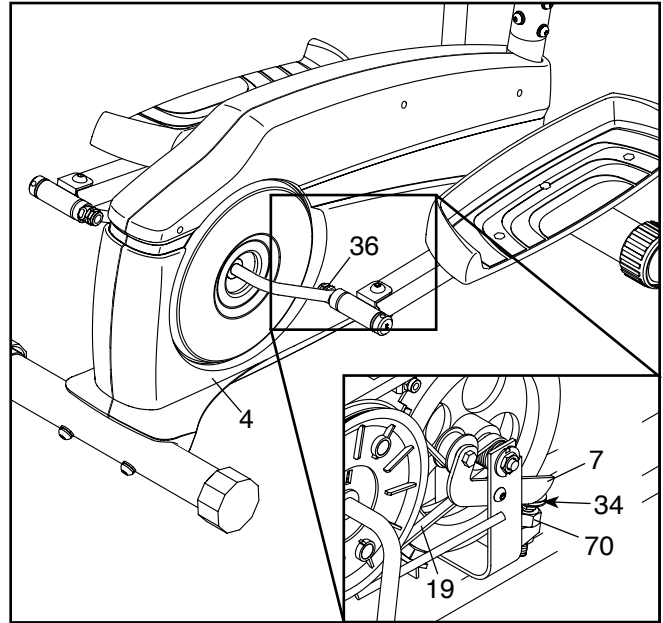
HOW TO ADJUST THE DRIVE BELT

If you can feel the pedals slip while you are pedaling, even when the resistance is adjusted to the highest level, the drive belt may need to be adjusted.

To adjust the drive belt, first remove the three indicated ST4.2 x 12mm Self-tapping Screws (66) and the three indicated ST4.2 x 20mm Self-tapping Screws (68).



Next, carefully pull the Right Shield (4) outward and upward until you can reach the Idler Adjustment Bolt (34). **Be careful to avoid scratching the Right Shield on the Right Thin Locknuts (36).**



Next, loosen the M10 Nut (70), and turn the Idler Adjustment Bolt (34) counterclockwise until the Drive Belt (19) is tight. Then, retighten the Nut.

See the drawing at the left. Reattach the Right Shield (4) with the three ST4.2 x 12mm Self-tapping Screws (66) and the three ST4.2 x 20mm Self-tapping Screws (68).

EXERCISE GUIDELINES

⚠️ WARNING: Before beginning this or any exercise program, consult your physician. This is especially important for persons over age 35 or persons with pre-existing health problems.

These guidelines will help you to plan your exercise program. For detailed exercise information, obtain a reputable book or consult your physician. Remember, proper nutrition and adequate rest are essential for successful results.

EXERCISE INTENSITY

Whether your goal is to burn fat or to strengthen your cardiovascular system, exercising at the proper intensity is the key to achieving results. You can use your heart rate as a guide to find the proper intensity level. The chart below shows recommended heart rates for fat burning and aerobic exercise.

165	155	145	140	130	125	115	♥️
145	138	130	125	118	110	103	♥️
125	120	115	110	105	95	90	♥️
<hr/>							
20	30	40	50	60	70	80	

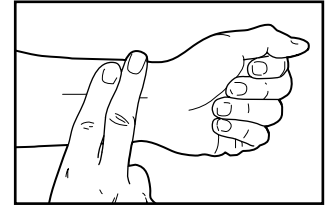
To find the proper intensity level, find your age at the bottom of the chart (ages are rounded off to the nearest ten years). The three numbers listed above your age define your “training zone.” The lowest number is the heart rate for fat burning, the middle number is the heart rate for maximum fat burning, and the highest number is the heart rate for aerobic exercise.

Burning Fat—To burn fat effectively, you must exercise at a low intensity level for a sustained period of time. During the first few minutes of exercise, your body uses carbohydrate calories for energy. Only after the first few minutes of exercise does your body begin to use stored fat calories for energy. If your goal is to burn fat, adjust the intensity of your exercise until your heart rate is near the lowest number in your training zone. For maximum fat burning, exercise with your heart rate near the middle number in your training zone.

Aerobic Exercise—If your goal is to strengthen your cardiovascular system, you must perform aerobic exercise, which is activity that requires large amounts of oxygen for prolonged periods of time. For aerobic exercise, adjust the intensity of your exercise until your heart rate is near the highest number in your training zone.

HOW TO MEASURE YOUR HEART RATE

To measure your heart rate, exercise for at least four minutes. Then, stop exercising and place two fingers on your wrist as shown. Take a six-second heartbeat count, and multiply the result by 10 to find your heart rate. For example, if your six-second heartbeat count is 14, your heart rate is 140 beats per minute.



WORKOUT GUIDELINES

Warming Up—Start with 5 to 10 minutes of stretching and light exercise. A warm-up increases your body temperature, heart rate, and circulation in preparation for exercise.

Training Zone Exercise—Exercise for 20 to 30 minutes with your heart rate in your training zone. (During the first few weeks of your exercise program, do not keep your heart rate in your training zone for longer than 20 minutes.) Breathe regularly and deeply as you exercise—never hold your breath.

Cooling Down—Finish with 5 to 10 minutes of stretching. Stretching increases the flexibility of your muscles and helps to prevent post-exercise problems.

EXERCISE FREQUENCY

To maintain or improve your condition, complete three workouts each week, with at least one day of rest between workouts. After a few months of regular exercise, you may complete up to five workouts each week, if desired. Remember, the key to success is to make exercise a regular and enjoyable part of your everyday life.

PART LIST

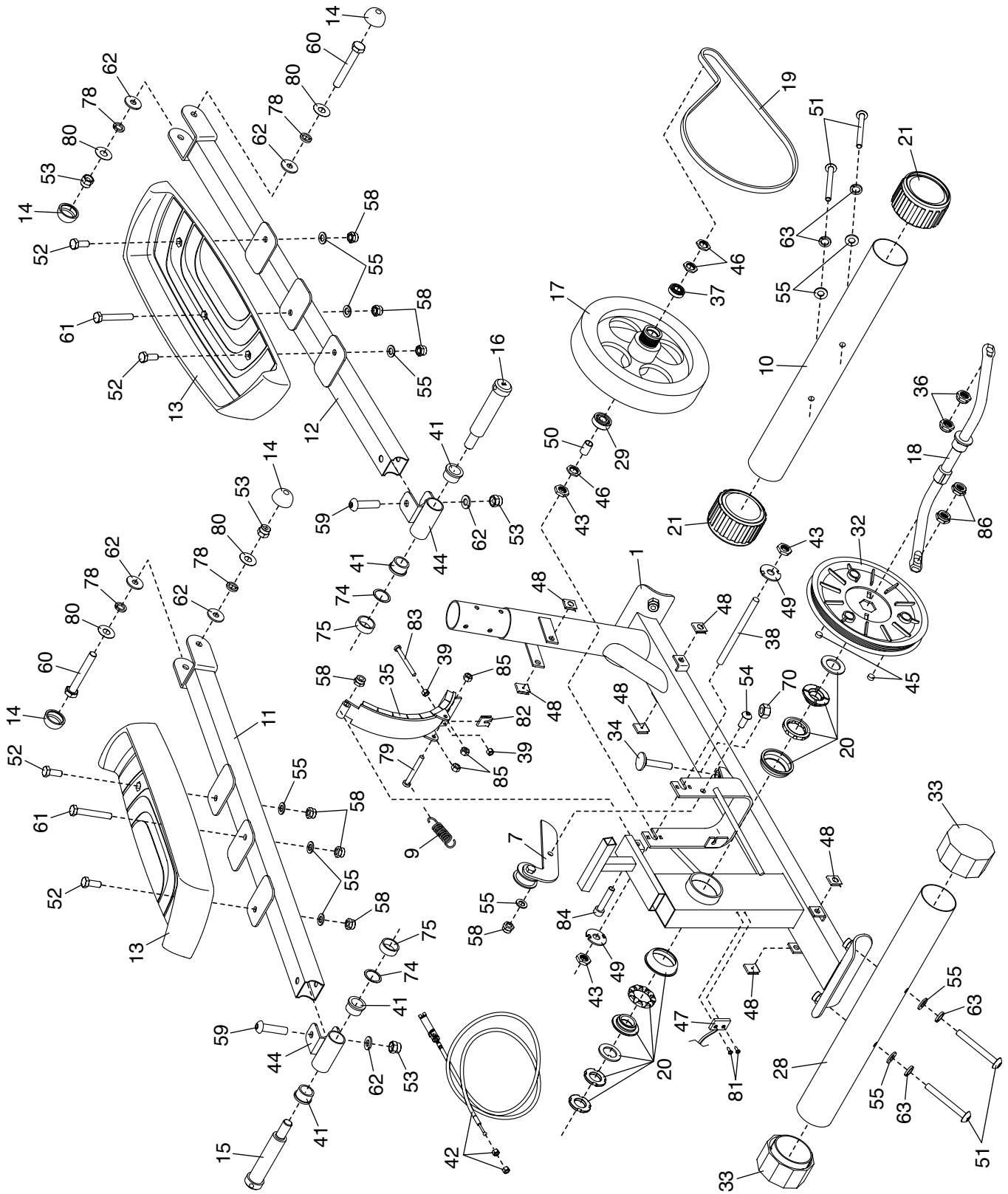
Model No. WLEL61610.0 R0912A

Key No.	Qty.	Description	Key No.	Qty.	Description
1	1	Frame	46	3	Small Flywheel Axle Nut
2	1	Upright	47	1	Reed Switch/Wire
3	1	Left Shield	48	6	Clip Nut
4	1	Right Shield	49	2	Stop Washer
5	1	Left Upper Body Arm	50	1	Flywheel Spacer
6	1	Right Upper Body Arm	51	4	M8 x 80mm Button Screw
7	1	Idler Assembly	52	4	M8 x 16mm Bolt
8	2	Foam Grip	53	4	M10 Locknut
9	1	Spring	54	7	M8 x 20mm Button Screw
10	1	Front Stabilizer	55	22	M8 Washer
11	1	Left Pedal Arm	56	4	M8 x 40mm Bolt
12	1	Right Pedal Arm	57	2	M8 x 20mm Socket Screw
13	2	Pedal	58	14	M8 Locknut
14	4	Dome Cap	59	2	M10 x 55mm Button Bolt
15	1	Left Crank Axle	60	2	M10 x 70mm Bolt
16	1	Right Crank Axle	61	2	M8 x 55mm Bolt
17	1	Flywheel	62	6	M10 Washer
18	1	Crank	63	9	M8 Split Washer
19	1	Drive Belt	64	2	Upper Body Leg
20	1	Crank Bearing Assembly	65	4	Upper Body Leg Bushing
21	2	Front Stabilizer Cap	66	18	ST4.2 x 12mm Self-tapping Screw
22	2	Inner Cover	67	4	Upper Body Cap
23	1	Console	68	5	ST4.2 x 20mm Self-tapping Screw
24	2	Outer Cover	69	1	Water Bottle Holder
25	1	Resistance Control/Cable	70	1	M10 Nut
26	2	Upright Spacer	71	2	M4 Washer
27	2	Plastic Washer	72	2	M8 Large Washer
28	1	Rear Stabilizer	73	4	Nylon Washer
29	1	Large Flywheel Bearing	74	4	Wave Washer
30	–	(Not Used)	75	2	Crank Spacer
31	1	Wire Harness	76	1	M5 x 20mm Screw
32	1	Pulley	77	1	M5 Washer
33	2	Leveling Cap	78	4	M10 Split Washer
34	1	Idler Adjustment Bolt	79	1	M6 x 60mm Bolt
35	1	C-magnet Assembly	80	4	M10 Special Washer
36	2	Right Thin Locknut	81	2	ST2.9 x 8mm Screw
37	1	Small Flywheel Bearing	82	1	Slotted Clip Nut
38	1	Flywheel Axle	83	1	M5 x 80mm Bolt
39	2	M5 Nut	84	1	M8 x 40mm Socket Bolt
40	4	Upper Body Arm Bushing	85	3	M6 Nut
41	4	Pedal Arm Bushing	86	2	Left Thin Locknut
42	1	Lower Cable	87	2	M8 x 60mm Button Bolt
43	3	Large Flywheel Axle Nut	*	–	Assembly Tool
44	2	Pedal Arm Bracket	*	–	User's Manual
45	2	Magnet			

Note: Specifications are subject to change without notice. For information about ordering replacement parts, see the back cover of this manual. *These parts are not illustrated.

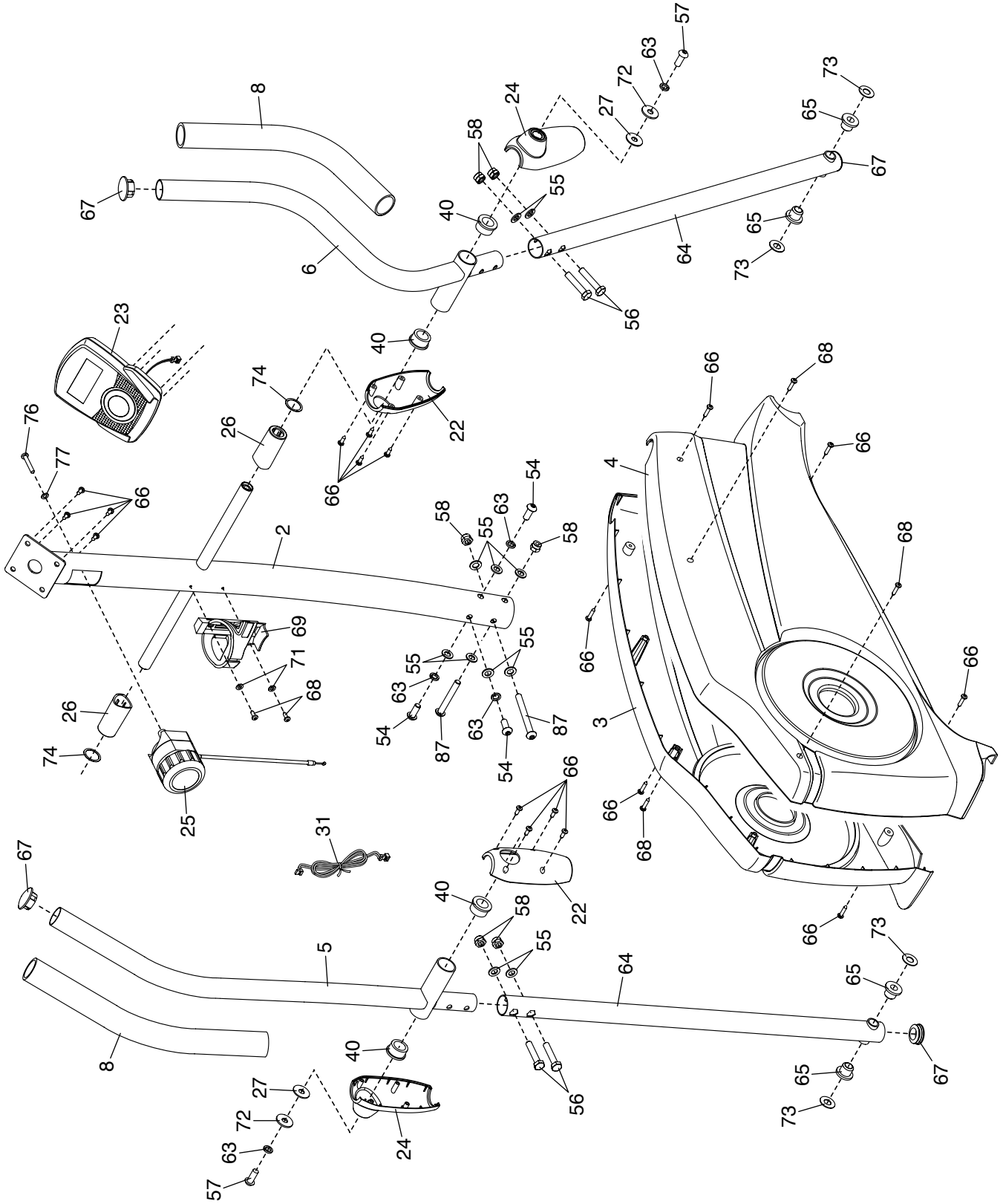
EXPLODED DRAWING A

Model No. WLEL61610.0 R0912A



EXPLODED DRAWING B

Model No. WLEL61610.0 R0912A



ORDERING REPLACEMENT PARTS

To order replacement parts, please see the front cover of this manual. To help us assist you, be prepared to provide the following information when contacting us:

- the model number and serial number of the product (see the front cover of this manual)
- the name of the product (see the front cover of this manual)
- the key number and description of the replacement part(s) (see the PART LIST and the EXPLODED DRAWING near the end of this manual)

LIMITED WARRANTY

IMPORTANT: You must register this product within 30 days of the purchase date to avoid added fees for service needed under warranty. Go to www.wesloservice.com/registration.

ICON Health & Fitness, Inc. (ICON) warrants this product to be free from defects in workmanship and material, under normal use and service conditions. Parts and labor are warranted for ninety (90) days from the date of purchase.

This warranty extends only to the original purchaser (customer). ICON's obligation under this warranty is limited to repairing or replacing, at ICON's option, the product through one of its authorized service centers. All repairs for which warranty claims are made must be preauthorized by ICON. If the product is shipped to a service center, freight charges to and from the service center will be the customer's responsibility. If replacement parts are shipped while the product is under warranty, the customer will be responsible for a minimal handling charge. For in-home service, the customer will be responsible for a minimal trip charge. This warranty does not extend to freight damage to the product. This warranty will automatically be voided if the product is used as a store display model, if the product is purchased or transported outside the USA, if all instructions in this manual are not followed, if the product is abused or improperly or abnormally used, or if the product is used for commercial or rental purposes. No other warranty beyond that specifically set forth above is authorized by ICON.

ICON is not responsible or liable for indirect, special, or consequential damages arising out of or in connection with the use or performance of the product; damages with respect to any economic loss, loss of property, loss of revenues or profits, loss of enjoyment or use, or costs of removal or installation; or other consequential damages of any kind. Some states do not allow the exclusion or limitation of incidental or consequential damages. Accordingly, the above limitation may not apply to the customer.

The warranty extended hereunder is in lieu of any and all other warranties, and any implied warranties of merchantability or fitness for a particular purpose are limited in their scope and duration to the terms set forth herein. Some states do not allow limitations on how long an implied warranty lasts. Accordingly, the above limitation may not apply to the customer.

This warranty provides specific legal rights; the customer may have other rights that vary from state to state.

ICON Health & Fitness, Inc., 1500 S. 1000 W., Logan, UT 84321-9813