

WESLO®

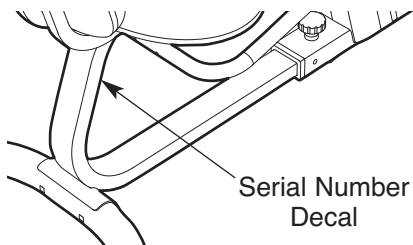
PURSUIT 360R

www.weslo.com

Model No. WLEX1476FM.0

Serial No. _____

Write the serial number in the space above for reference.



USER'S MANUAL

QUESTIONS?

If you have questions, or if parts are damaged or missing, **DO NOT CONTACT THE STORE**; please contact Customer Care.

IMPORTANT: Please register this product (see the limited warranty on the back cover of this manual) before contacting Customer Care.

CALL TOLL-FREE:

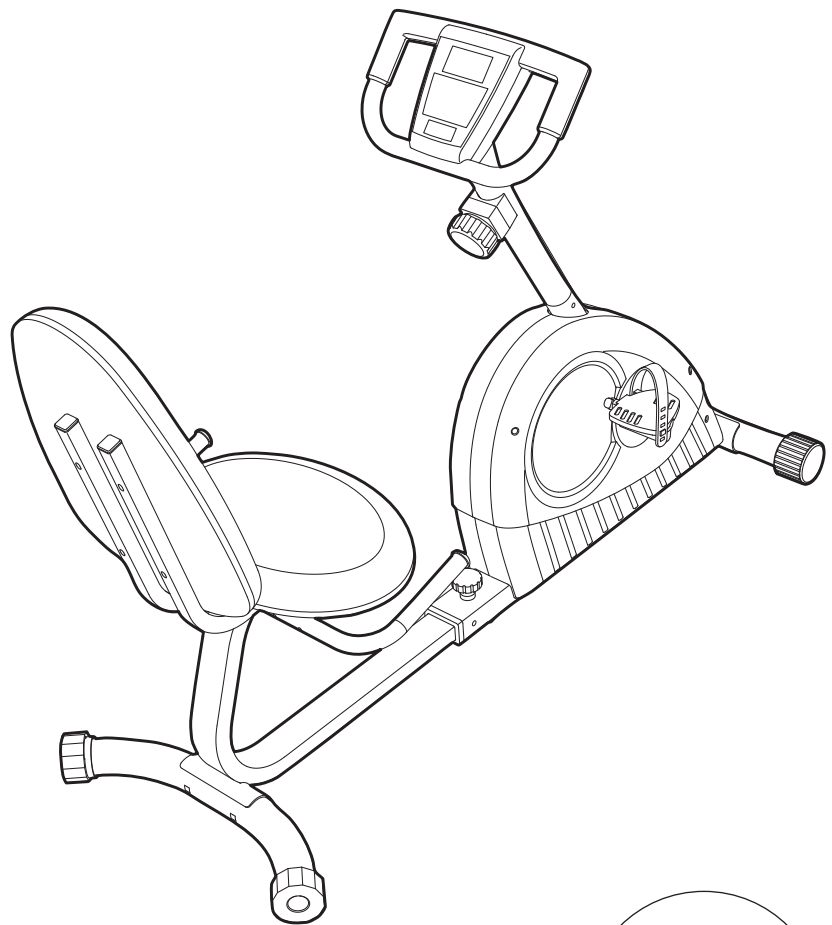
1-866-699-3756

Mon.–Fri. 6 a.m.–6 p.m. MT

Sat. 8 a.m.–4 p.m. MT

ON THE WEB:

www.wesloservice.com



CAUTION

Read all precautions and instructions in this manual before using this equipment. Keep this manual for future reference.



TABLE OF CONTENTS

WARNING DECAL PLACEMENT2

IMPORTANT PRECAUTIONS3

BEFORE YOU BEGIN4

ASSEMBLY5

HOW TO USE THE EXERCISE CYCLE10

MAINTENANCE AND TROUBLESHOOTING14

EXERCISE GUIDELINES15

PART LIST18

EXPLODED DRAWING19

ORDERING REPLACEMENT PARTSBack Cover


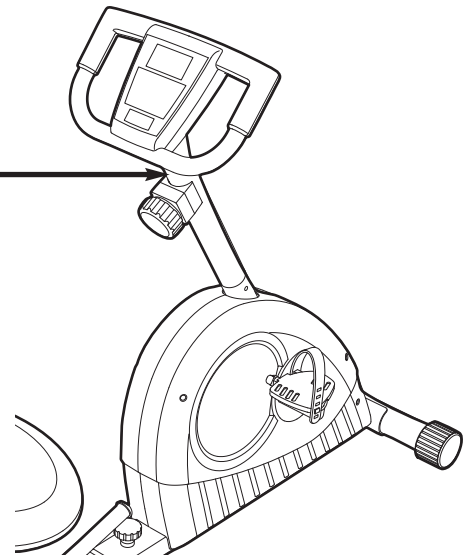
LIMITED WARRANTYBack Cover

WARNING DECAL PLACEMENT

This drawing shows the location(s) of the warning decal(s). **If a decal is missing or illegible, see the back cover of this manual and request a free replacement decal. Apply the decal in the location shown.** Note: The decal(s) may not be shown at actual size.

WARNING

- Misuse of this machine may result in serious injury.
- Read user's manual prior to use and follow all warnings and instructions.
- Do not allow children on or around machine.
- Pedals continue to spin when you stop pedaling.
- Spinning pedals can cause injury.
- Reduce pedal speed in a controlled manner.
- User weight must not exceed 250 pounds.
- Replace label if damaged, illegible, or removed.

IMPORTANT PRECAUTIONS

⚠ WARNING: To reduce the risk of serious injury, read all important precautions and instructions in this manual and all warnings on your exercise cycle before using your exercise cycle. ICON assumes no responsibility for personal injury or property damage sustained by or through the use of this product.

1. Before beginning any exercise program, consult your physician. This is especially important for persons over age 35 or persons with pre-existing health problems.
2. Use the exercise cycle only as described in this manual.
3. It is the responsibility of the owner to ensure that all users of the exercise cycle are adequately informed of all precautions.
4. The exercise cycle is intended for home use only. Do not use the exercise cycle in a commercial, rental, or institutional setting.
5. Keep the exercise cycle indoors, away from moisture and dust. Place the exercise cycle on a level surface, with a mat beneath it to protect the floor or carpet. Make sure that there is at least 2 ft. (0.6 m) of clearance around your exercise cycle.
6. Inspect and properly tighten all parts regularly. Replace any worn parts immediately.
7. Keep children under age 12 and pets away from the exercise cycle at all times.
8. Wear appropriate clothes while exercising; do not wear loose clothes that could become caught on the exercise cycle. Always wear athletic shoes for foot protection.
9. The exercise cycle should not be used by persons weighing more than 250 lbs. (113 kg).
10. The pulse sensor is not a medical device. Various factors, including the user's movement, may affect the accuracy of heart rate readings. The pulse sensor is intended only as an exercise aid in determining heart rate trends in general.
11. The exercise cycle does not have a free wheel; the pedals will continue to move until the flywheel stops.
12. Always keep your back straight while using the exercise cycle; do not arch your back.
13. Over exercising may result in serious injury or death. If you feel faint or if you experience pain while exercising, stop immediately and cool down.

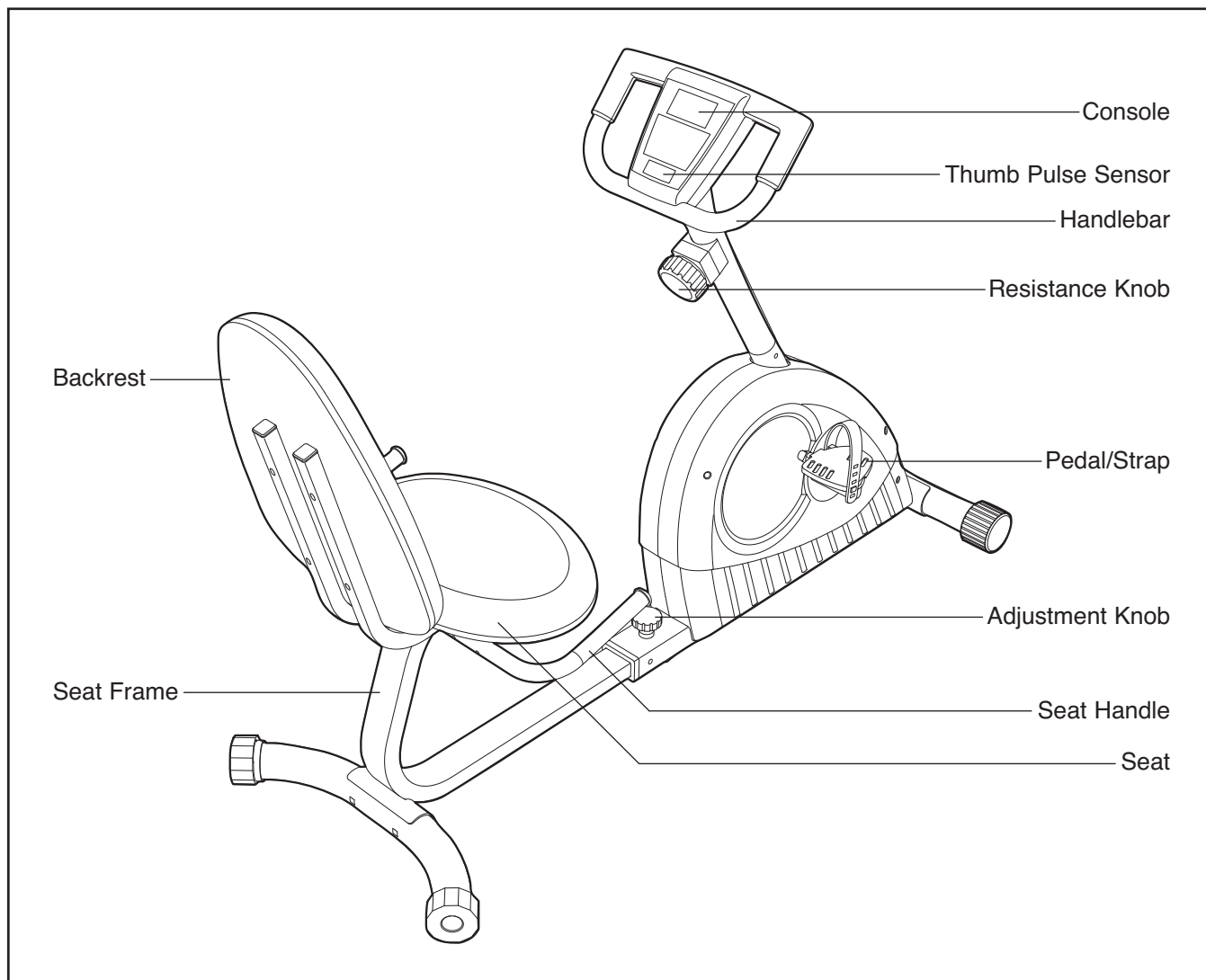
BEFORE YOU BEGIN

Thank you for selecting the new WESLO® PURSUIT 360R exercise cycle. Cycling is an effective exercise for increasing cardiovascular fitness, building endurance, and toning the body. The PURSUIT 360R exercise cycle provides a selection of features designed to make your workouts at home more effective and enjoyable.

For your benefit, read this manual carefully before you use the elliptical exerciser. If you have ques-

tions after reading this manual, please see the front cover of this manual. To help us assist you, note the product model number and serial number before contacting us. The model number and the location of the serial number decal are shown on the front cover of this manual.

Before reading further, please familiarize yourself with the parts that are labeled in the drawing below.



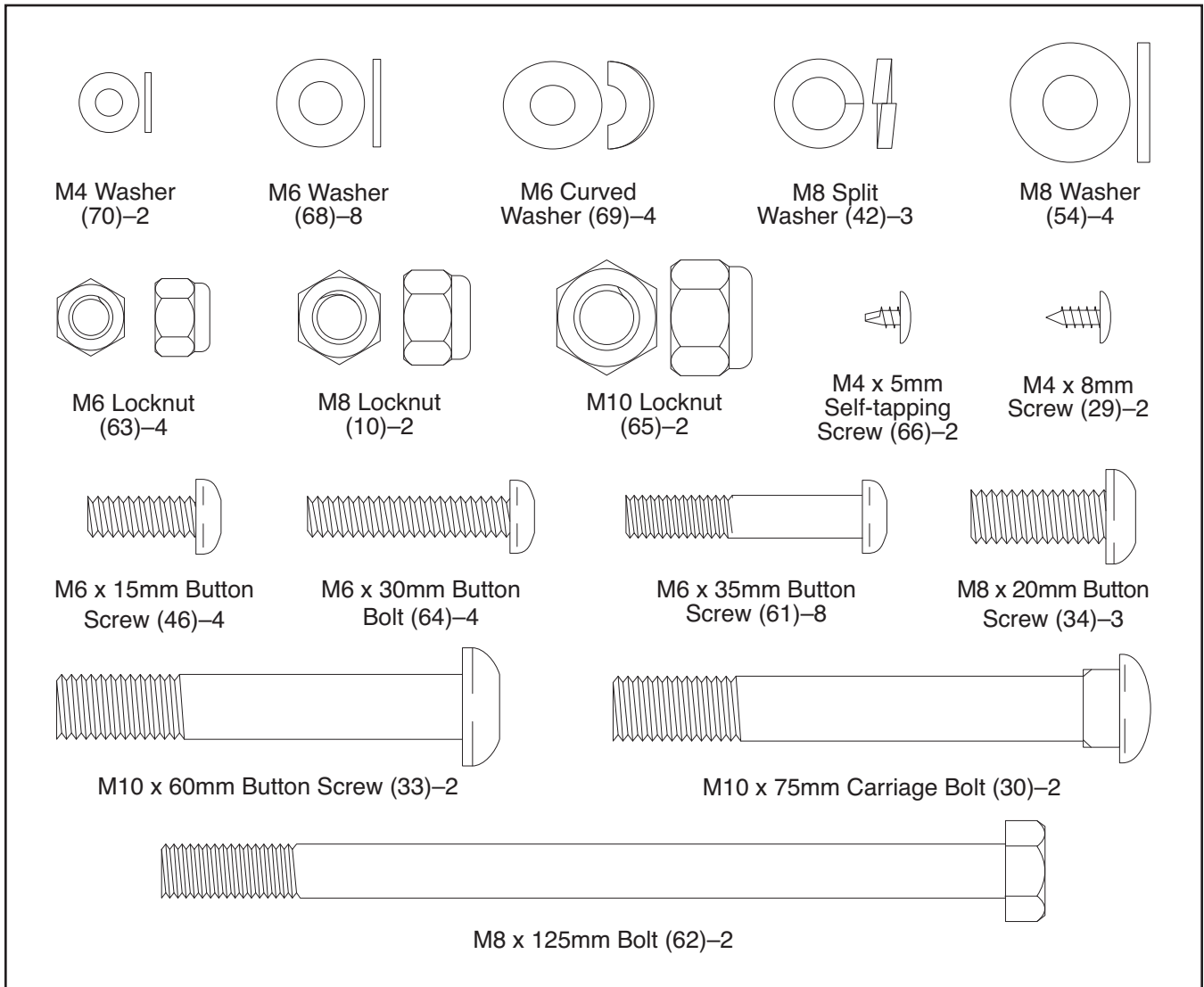
ASSEMBLY

To hire an authorized service technician to assemble the exercise cycle, call 1-800-445-2480.

Assembly requires two persons. Place all parts of the exercise cycle in a cleared area and remove the packing materials. Do not dispose of the packing materials until assembly is completed.

In addition to the included tool(s), assembly requires a Phillips screwdriver , two adjustable wrenches , and pliers .

Use the drawings below to identify the small parts used in assembly. The number in parentheses below each drawing is the key number of the part, from the PART LIST near the end of this manual. The number following the parentheses is the quantity needed for assembly. **Note: If a part is not in the hardware kit, check to see if it has been preassembled.**

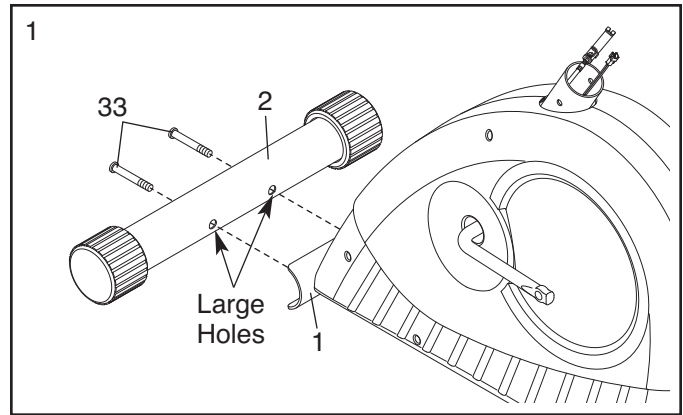


1.

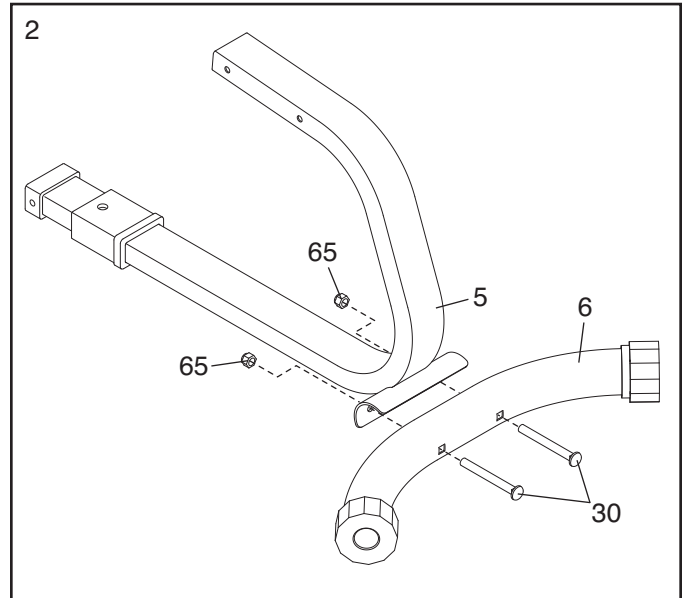
To make assembly easier, read the information on page 5 before you begin.

Turn the Front Stabilizer (2) so that the large holes are facing the Frame (1).

Attach the Front Stabilizer (2) to the Frame (1) with two M10 x 60mm Button Screws (33).



2. Attach the Rear Stabilizer (6) to the Seat Frame (5) with two M10 x 75mm Carriage Bolts (30) and two M10 Locknuts (65).



3. Insert the end of the Seat Frame (5) into the Frame (1).

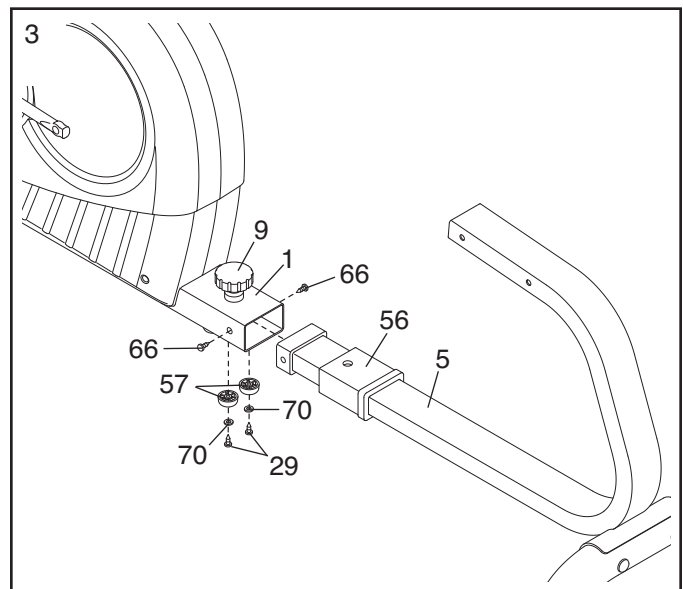
Firmly press the Frame Bushing (56) into the Frame (1). Attach the Frame Bushing to the Frame with two M4 x 5mm Self-tapping Screws (66).

Then, tighten the Adjustment Knob (9) into the Frame (1).

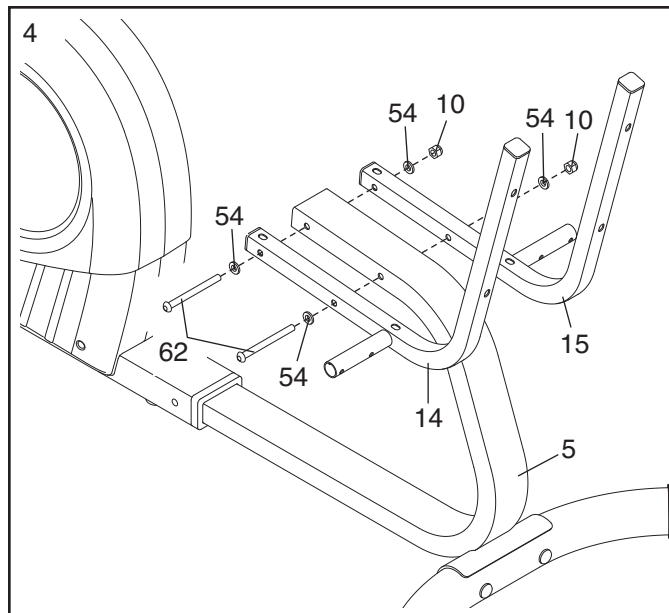
Carefully tip the exercise cycle onto its side.

Attach the two Bumpers (57) to the Frame (1) with two M4 x 8mm Screws (29) and two M4 Washers (70).

Then, tip the exercise cycle upright.

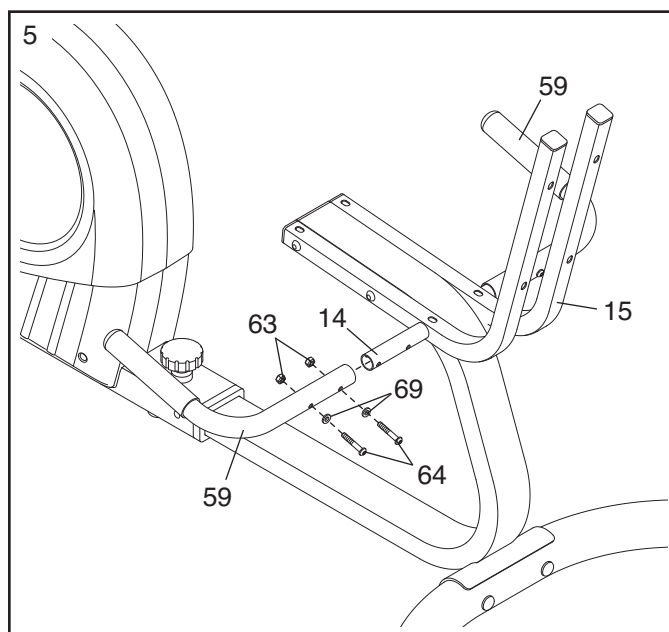


4. Attach the Left and Right Seat Brackets (14, 15) to the Seat Frame (5) with two M8 x 125mm Bolts (62), four M8 Washers (54), and two M8 Locknuts (10) as shown. **Do not tighten the Locknuts yet.**



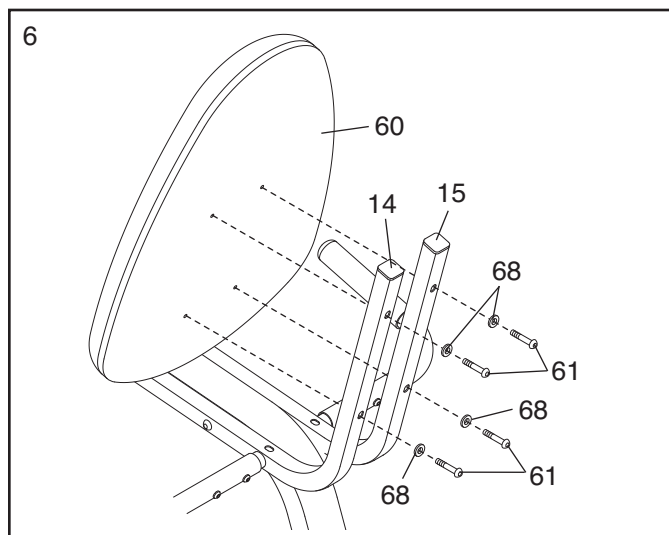
5. Attach a Seat Handle (59) to the round tube on the Left Seat Bracket (14) with two M6 x 30mm Button Bolts (64), two M6 Curved Washers (69), and two M6 Locknuts (63).

Attach the other Seat Handle (59) to the Right Seat Frame (15) in the same way.

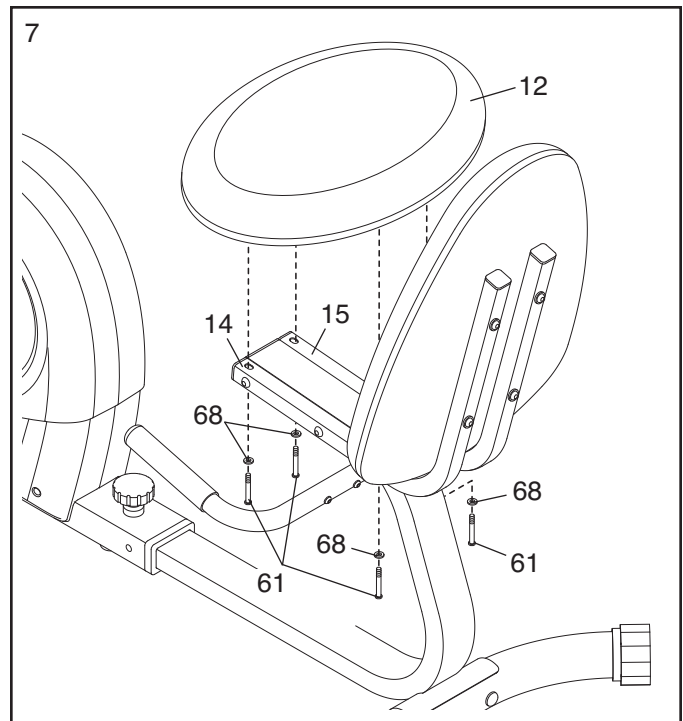


6. Attach the Backrest (60) to the Seat Brackets (14, 15) with four M6 x 35mm Button Screws (61) and four M6 Washers (68).

See step 4. Tighten the two M8 Locknuts (10).



7. Attach the Seat (12) to the Seat Brackets (14, 15) with four M6 x 35mm Button Screws (61) and four M6 Washers (68).



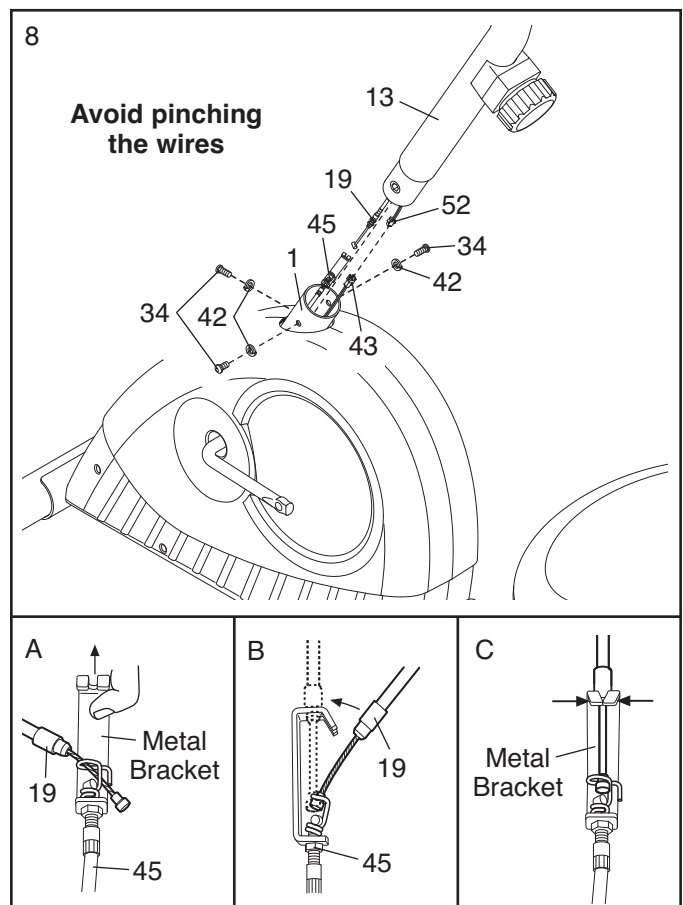
8. While another person holds the Upright (13) in the position shown, connect the Extension Wire (52) to the Reed Switch Wire (43).

Next, connect the Resistance Cable (19) to the Lower Cable (45) in the following way:

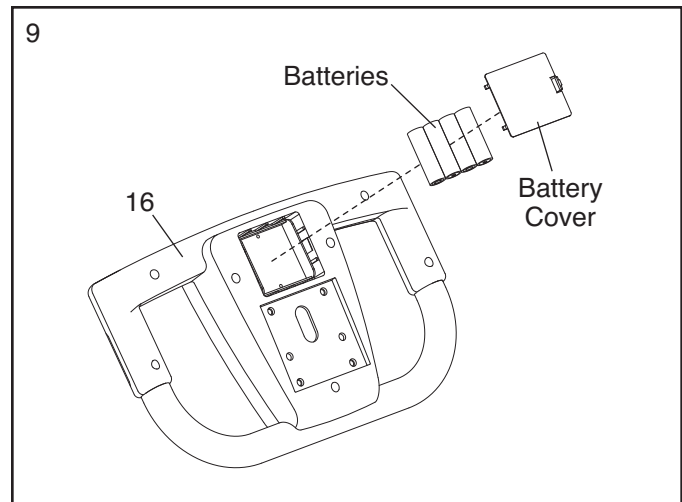
- **See drawing A.** Pull upward on the metal bracket on the Lower Cable (45), and insert the tip of the Resistance Cable (19) into the wire clip inside the metal bracket as shown.
- **See drawing B.** Firmly pull the Resistance Cable (19) upward and slide it into the top of the metal bracket as shown.
- **See drawing C.** Using pliers, squeeze the prongs on the upper end of the metal bracket together.

Push the excess wire and cable downward into the Frame (1), and insert the Upright (13) into the Frame.

Tip: Avoid pinching the wires and cables. Attach the Upright (13) to the Frame (1) with three M8 x 20mm Button Screws (34) and three M8 Split Washers (42).



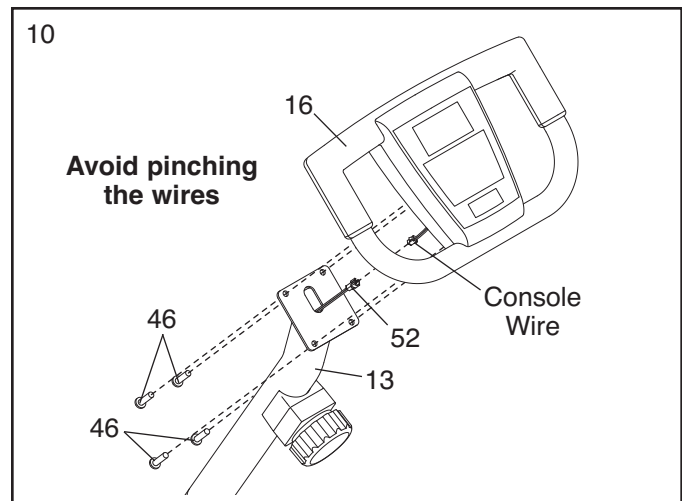
9. The Console (16) requires four AA batteries (not included); alkaline batteries are recommended. **IMPORTANT: If the exercise cycle has been exposed to cold temperatures, allow it to warm to room temperature before inserting batteries into the Console. If you do not do this, the console displays or other electronic components may become damaged.** Remove the battery cover and insert four batteries into the Console as shown. **Make sure that the batteries are oriented as shown by the diagram inside the Console.** Then, reattach the battery cover.



10. While another person holds the Console (16) near the Upright (13), connect the console wire to the Extension Wire (52).

Then, insert the wires downward into the Upright (13).

Tip: Avoid pinching the wires. Attach the Console (16) to the Upright (13) with four M6 x 15mm Button Screws (46).



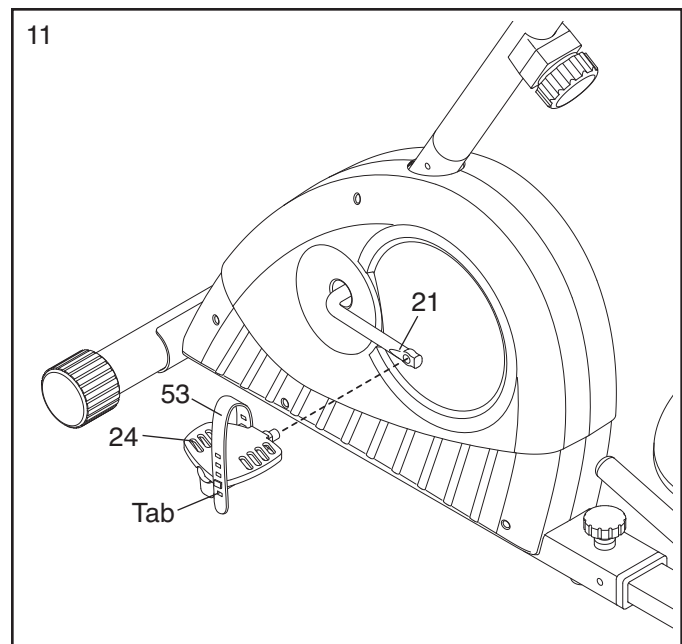
11. Identify the Left Pedal (24), which is marked with an "L" sticker.

Using an adjustable wrench, **firmly tighten** the Left Pedal (24) *counterclockwise* into the left arm of the Crank (21).

Tighten the Right Pedal (not shown) *clockwise* into the right arm of the Crank (21).

IMPORTANT: Tighten both pedals as firmly as possible. After using the exercise cycle for one week, retighten the pedals. For best performance, keep the pedals tightened.

Adjust the left Pedal Strap (53) to the desired position, and press the end of the Pedal Strap onto the tab on the Left Pedal (24). **Adjust the right Pedal Strap (not shown) in the same way.**



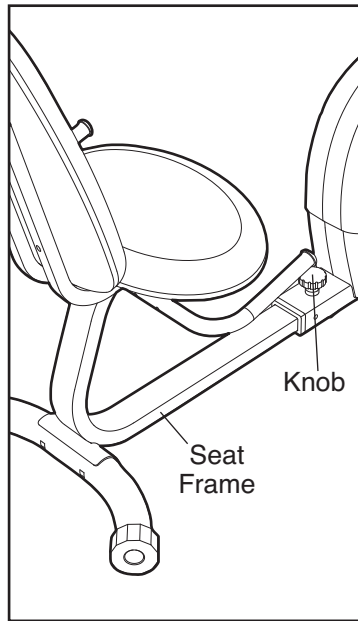
12. **Make sure that all parts are properly tightened before you use the exercise cycle.** After assembly is completed, some extra parts may be left over. Place a mat under the exercise cycle to protect the floor.

HOW TO USE THE EXERCISE CYCLE

HOW TO ADJUST THE SEAT FRAME

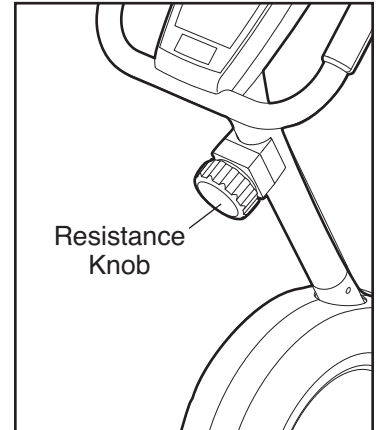
For effective exercise, the seat should be in the proper position. As you pedal, there should be a slight bend in your knees when the pedals are in the most forward position.

To adjust the seat frame, first loosen the adjustment knob on the frame. Slide the seat frame forward or backward to the desired position. Then, retighten the adjustment knob.

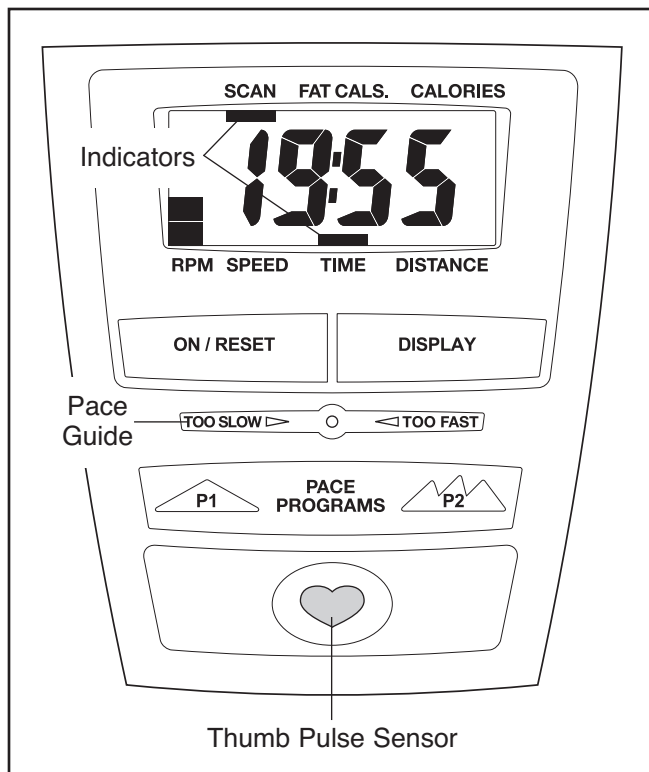


HOW TO ADJUST THE PEDALING RESISTANCE

To increase the resistance of the pedals, turn the resistance knob clockwise; to decrease the resistance, turn the knob counterclockwise. **IMPORTANT: Stop turning the knob when turning becomes difficult, or damage may result.**



CONSOLE DIAGRAM



FEATURES OF THE CONSOLE

The console offers a selection of features designed to make your workouts more effective.

As you pedal, the console will provide continuous exercise feedback. You can even measure your heart rate using the built-in thumb pulse sensor.

The console also offers two pace programs that prompt you to vary your pedaling pace while guiding you through an effective workout.

To use the manual mode, see the instructions at the right. **To use a pace program**, see page 13.

Note: Before using the console, make sure that batteries are installed (see assembly step 9 on page 9). If there is a sheet of clear plastic on the display, remove the plastic.

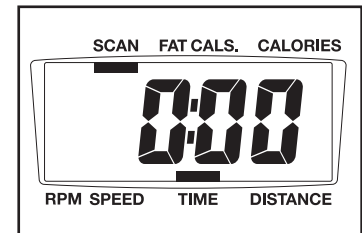
HOW TO USE THE MANUAL MODE

1. Turn on the console.

To turn on the console, press the On/Reset button or begin pedaling. The entire display and the pace guide will light for a moment; the console will then be ready for use.

2. Select the manual mode.

When you turn on the console, the manual mode will be selected. If you have selected a program, reselect the manual mode by pressing the Pace Programs button repeatedly until the scan and time indicators appear in the display.



3. Begin pedaling and change the resistance of the pedals as desired.

As you pedal, adjust the resistance of the pedals by turning the resistance knob.

4. Follow your progress with the display.

The console has seven displays that show the following workout information:

Speed—This display shows your pedaling speed, in miles or kilometers per hour.

Time—This display shows the elapsed time. Note: When a pace program is selected, the display shows the time remaining in the program instead of the elapsed time.

Distance—This display shows the distance you have pedaled, in miles or kilometers.

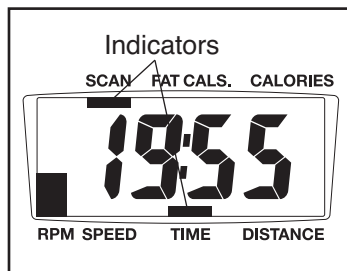
Calories—This display shows the approximate number of calories you have burned.

Fat Calories—This display shows the approximate number of fat calories you have burned (see Burning Fat on page 15).

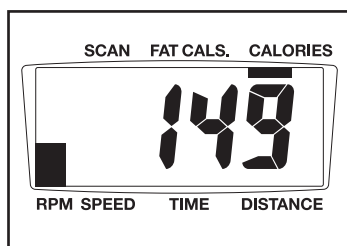
Pulse—This display shows your heart rate when you use the thumb pulse sensor.

Scan—This display shows the speed, time, distance, calories, fat calories, and pulse displays, for a few seconds each, in a repeating cycle. Note: The pulse display will appear only when you use the pulse sensor.

When you turn the power on, the scan display will be selected automatically. One indicator will appear below the word Scan to show that the scan display is selected, and a second indicator will show which information is currently displayed.



To select speed, time, distance, calories, or fat calories information for continuous display, press the Display button repeatedly. The indicators will



show which display is selected. Make sure there is not an indicator below the word Scan.

As you pedal, the RPM meter on the left side of the display will indicate your approximate pedaling pace in revolutions per minute (rpm). The lowest bar on the RPM meter indicates a pedaling pace of 30 rpm. Additional bars will appear or disappear in increments of 10 rpm as you change your pedaling pace.

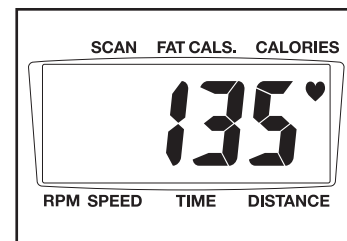
Note: The console can show speed and distance in either miles or kilometers. The letters “mph” or “km/h” will appear in the display to show which unit of measurement is selected. To change the unit of measurement, hold down the On/Reset button for several seconds until the desired unit of measurement appears in the display.

To reset the display, press the On/Reset button.

To pause the console, stop pedaling. When the console is paused, the time will flash in the display. To continue your workout, simply resume pedaling.

5. Measure your heart rate if desired.

To measure your heart rate, **stop pedaling** and place your thumb on the pulse sensor. **Do not press too hard, or the circulation in your thumb will**



be restricted and your pulse will not be detected. After a few seconds, the heart-shaped indicator in the display will flash steadily, two dashes will appear, and then your heart rate will be shown. Hold your thumb on the pulse sensor for about 15 seconds for the most accurate reading.

If the displayed heart rate appears to be too high or too low, or if your heart rate is not displayed, lift your thumb off the pulse sensor for a few seconds. Then, place your thumb on the pulse sensor as described above.

Make sure you are applying the proper amount of pressure to the pulse sensor. Try the pulse sensor several times until you become familiar with it. Remember to sit still while measuring your heart rate.

6. When you are finished exercising, the console will turn off automatically.

If the pedals do not move for a few seconds, the time will flash in the display and the console will pause. If the pedals do not move for a few minutes, the console will turn off and the display will be reset.

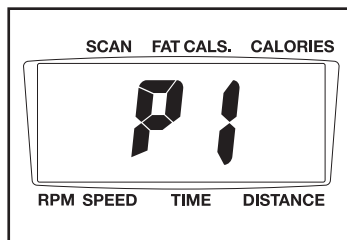
HOW TO USE A PACE PROGRAM

1. Turn on the console.

See step 1 on page 11.

2. Select a pace program.

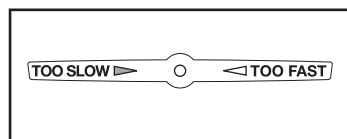
To select a pace program, press the Pace Programs button repeatedly until P1 or P2 appears in the display. A few seconds after you select a pace program, the display will show the length of the program.



3. Begin pedaling to start the program.

The pace programs consist of several one-minute segments. A target pace is programmed for each segment. Note: You can set the resistance level as desired during a pace program.

During the program, the pace guide will prompt you to keep your pedaling pace near the target



pace setting for the current segment. When the left indicator lights, increase your pace; when the right indicator lights, decrease your pace. When the center indicator lights, maintain your current pace.

IMPORTANT: The pace guide is intended only to provide a goal. Make sure to pedal at a pace that is comfortable for you.

The display will show the time remaining in the program. If you stop pedaling, the program will pause and the time will flash in the display. To restart the program, simply resume pedaling.

4. Follow your progress with the display.

See step 4 on page 11.

5. Measure your heart rate if desired.

See step 5 on page 12.

6. When you are finished exercising, the console will turn off automatically.

See step 6 on page 12.

MAINTENANCE AND TROUBLESHOOTING

Inspect and tighten all parts of the exercise cycle regularly. Replace any worn parts immediately.

To clean the exercise cycle, use a damp cloth and a small amount of mild detergent. **IMPORTANT: To avoid damage to the console, keep liquids away from the console and keep the console out of direct sunlight.**

BATTERY REPLACEMENT

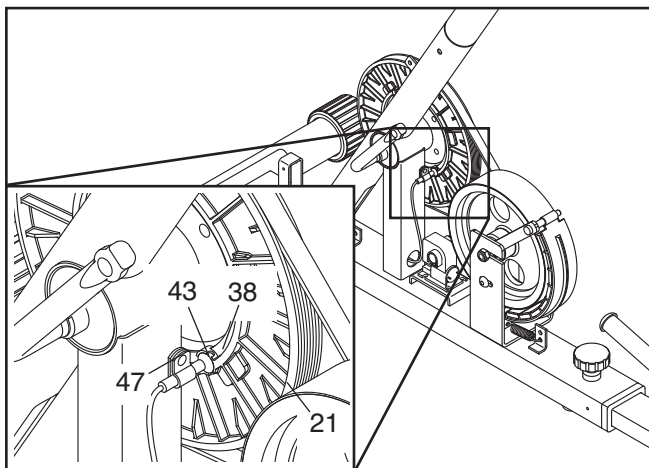
If the console display becomes dim, the batteries should be replaced; most console problems are the result of low batteries. To replace the batteries, see assembly step 9 on page 9.

HOW TO ADJUST THE REED SWITCH

If the console does not display correct feedback, the reed switch should be adjusted.

To adjust the reed switch, you must first remove the left pedal and the left shield. Using an adjustable wrench, turn the left pedal clockwise and remove it. Next, remove all the screws from the left and right shields; **there are two sizes of screws in the shields—note which size of screw you remove from each hole.** Then, gently pull the left shield away from the frame.

Turn the resistance knob to the lowest setting. Then, locate the Reed Switch (43).



Turn the Crank (21) until the Magnet (38) is aligned with the Reed Switch (43). Loosen, but do not remove, the M4 x 15mm Self-tapping Screw (47). Slide the Reed Switch slightly closer to or away from the Magnet, and then retighten the Screw. Turn the Crank for a moment.

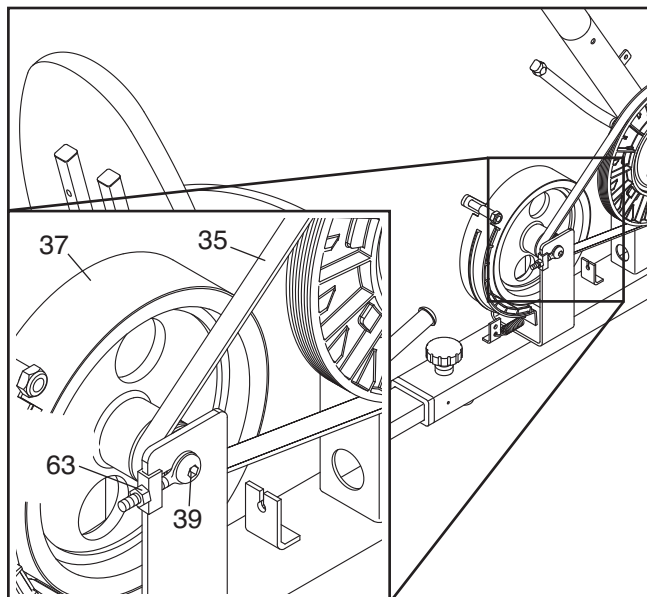
Repeat until the console displays correct feedback. When the Reed Switch is correctly adjusted, reattach the left shield and the left pedal.

HOW TO ADJUST THE DRIVE BELT

If you can feel the pedals slip while you are pedaling, even when the resistance is at the highest level, the drive belt may need to be adjusted.

To adjust the drive belt, you must first remove the right pedal and the right shield. Using an adjustable wrench, turn the right pedal counterclockwise and remove it. Next, remove all the screws from the left and right shields; **there are two sizes of screws in the shields—note which size of screw you remove from each hole.** Then, gently pull the right shield away from the frame.

Loosen the Flywheel Axle (39). Next, tighten the M6 Locknuts (63), one on each side of the Flywheel (37), until the Drive Belt (35) is tight. Then, tighten the Flywheel Axle and reattach the right shield and the right pedal.



EXERCISE GUIDELINES

⚠ WARNING: Before beginning this or any exercise program, consult your physician. This is especially important for persons over age 35 or persons with pre-existing health problems.

The pulse sensor is not a medical device. Various factors may affect the accuracy of heart rate readings. The pulse sensor is intended only as an exercise aid in determining heart rate trends in general.

These guidelines will help you to plan your exercise program. For detailed exercise information, obtain a reputable book or consult your physician. Remember, proper nutrition and adequate rest are essential for successful results.

EXERCISE INTENSITY

Whether your goal is to burn fat or to strengthen your cardiovascular system, exercising at the proper intensity is the key to achieving results. You can use your heart rate as a guide to find the proper intensity level. The chart below shows recommended heart rates for fat burning and aerobic exercise.

165	155	145	140	130	125	115	♥
145	138	130	125	118	110	103	♥
125	120	115	110	105	95	90	♥
<hr/>							
20	30	40	50	60	70	80	

To find the proper intensity level, find your age at the bottom of the chart (ages are rounded off to the nearest ten years). The three numbers listed above your age define your “training zone.” The lowest number is the heart rate for fat burning, the middle number is the heart rate for maximum fat burning, and the highest number is the heart rate for aerobic exercise.

Burning Fat—To burn fat effectively, you must exercise at a low intensity level for a sustained period of time. During the first few minutes of exercise, your body uses *carbohydrate calories* for energy. Only after the first few minutes of exercise does your body begin to use stored *fat calories* for energy. If your goal is to burn fat, adjust the intensity of your exercise until your heart rate is near the lowest number in your training zone. For maximum fat burning, exercise with your heart rate near the middle number in your training zone.

Aerobic Exercise—If your goal is to strengthen your cardiovascular system, you must perform aerobic exercise, which is activity that requires large amounts of oxygen for prolonged periods of time. For aerobic exercise, adjust the intensity of your exercise until your heart rate is near the highest number in your training zone.

WORKOUT GUIDELINES

Warming Up—Start with 5 to 10 minutes of stretching and light exercise. A warm-up increases your body temperature, heart rate, and circulation in preparation for exercise.

Training Zone Exercise—Exercise for 20 to 30 minutes with your heart rate in your training zone. (During the first few weeks of your exercise program, do not keep your heart rate in your training zone for longer than 20 minutes.) Breathe regularly and deeply as you exercise—never hold your breath.

Cooling Down—Finish with 5 to 10 minutes of stretching. Stretching increases the flexibility of your muscles and helps to prevent post-exercise problems.

EXERCISE FREQUENCY

To maintain or improve your condition, complete three workouts each week, with at least one day of rest between workouts. After a few months of regular exercise, you may complete up to five workouts each week, if desired. Remember, the key to success is to make exercise a regular and enjoyable part of your everyday life.

SUGGESTED STRETCHES

The correct form for several basic stretches is shown at the right. Move slowly as you stretch—never bounce.

1. Toe Touch Stretch

Stand with your knees bent slightly and slowly bend forward from your hips. Allow your back and shoulders to relax as you reach down toward your toes as far as possible. Hold for 15 counts, then relax. Repeat 3 times. Stretches: Hamstrings, back of knees and back.

2. Hamstring Stretch

Sit with one leg extended. Bring the sole of the opposite foot toward you and rest it against the inner thigh of your extended leg. Reach toward your toes as far as possible. Hold for 15 counts, then relax. Repeat 3 times for each leg. Stretches: Hamstrings, lower back and groin.

3. Calf/Achilles Stretch

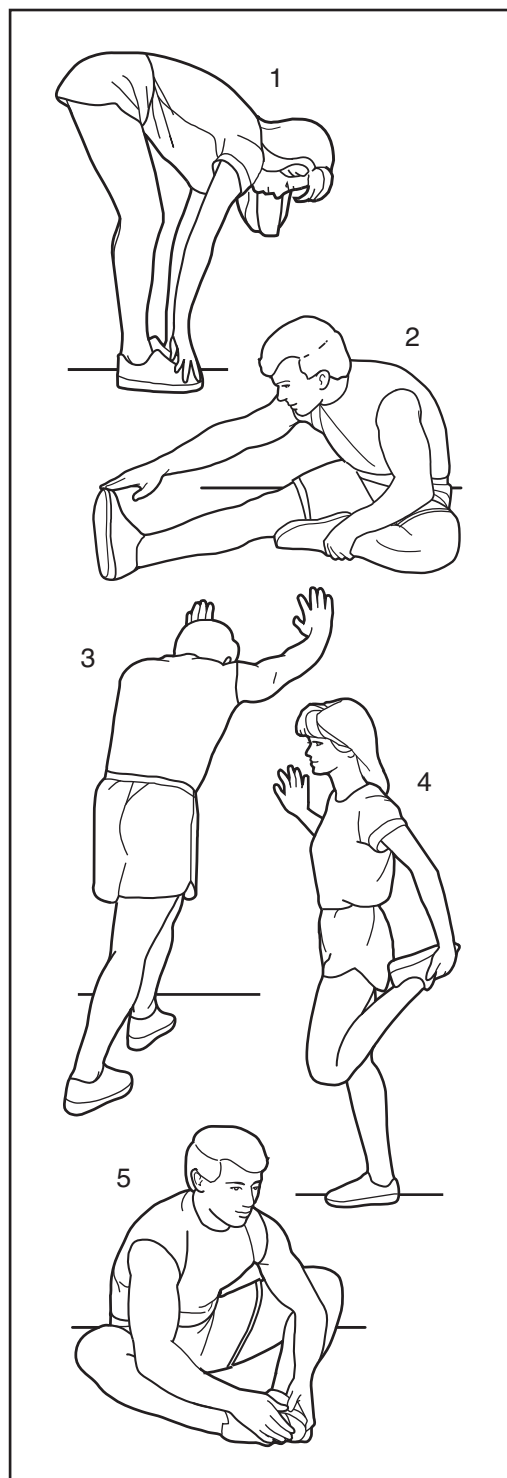
With one leg in front of the other, reach forward and place your hands against a wall. Keep your back leg straight and your back foot flat on the floor. Bend your front leg, lean forward and move your hips toward the wall. Hold for 15 counts, then relax. Repeat 3 times for each leg. To cause further stretching of the achilles tendons, bend your back leg as well. Stretches: Calves, achilles tendons and ankles.

4. Quadriceps Stretch

With one hand against a wall for balance, reach back and grasp one foot with your other hand. Bring your heel as close to your buttocks as possible. Hold for 15 counts, then relax. Repeat 3 times for each leg. Stretches: Quadriceps and hip muscles.

5. Inner Thigh Stretch

Sit with the soles of your feet together and your knees outward. Pull your feet toward your groin area as far as possible. Hold for 15 counts, then relax. Repeat 3 times. Stretches: Quadriceps and hip muscles.



NOTES

PART LIST—Model No. WLEX1476FM.0

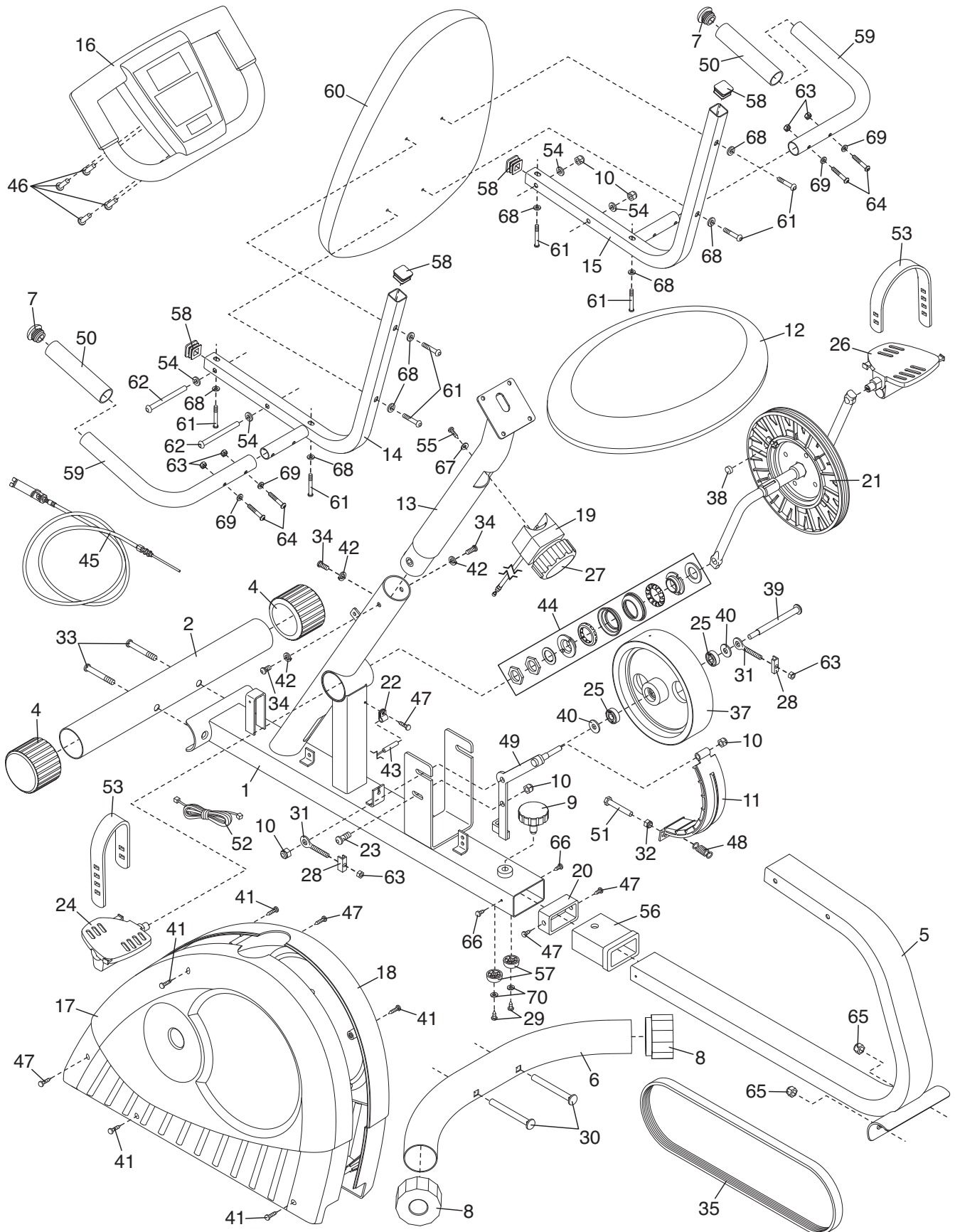
R1209A

Key No.	Qty.	Description	Key No.	Qty.	Description
1	1	Frame	37	1	Flywheel
2	1	Front Stabilizer	38	1	Magnet
3	—	(Not Used)	39	1	Flywheel Axle
4	2	Front Stabilizer Cap	40	2	M10 Small Washer
5	1	Seat Frame	41	5	M4 x 25mm Screw
6	1	Rear Stabilizer	42	3	M8 Split Washer
7	2	Handlebar Cap	43	1	Reed Switch/Wire
8	2	Rear Stabilizer Cap	44	1	Crank Bearing Set
9	1	Adjustment Knob	45	1	Lower Cable
10	5	M8 Locknut	46	4	M6 x 15mm Button Screw
11	1	C-Magnet	47	5	M4 x 15mm Self-tapping Screw
12	1	Seat	48	1	Spring
13	1	Upright	49	1	Bracket
14	1	Left Seat Bracket	50	2	Foam Grip
15	1	Right Seat Bracket	51	1	M6 x 45mm Bolt
16	1	Console	52	1	Extension Wire
17	1	Left Shield	53	2	Pedal Strap
18	1	Right Shield	54	4	M8 Washer
19	1	Resistance Control/Cable	55	1	M5 x 40mm Screw
20	1	Seat Frame Bushing	56	1	Frame Bushing
21	1	Crank/Pulley	57	2	Bumper
22	1	Reed Switch Clamp	58	4	Square Cap
23	1	M8 x 20mm Bolt	59	2	Seat Handle
24	1	Left Pedal	60	1	Backrest
25	2	6000Z Bearing	61	8	M6 x 35mm Button Screw
26	1	Right Pedal	62	2	M8 x 125mm Bolt
27	1	Resistance Knob	63	6	M6 Locknut
28	2	U-bracket	64	4	M6 x 30mm Button Bolt
29	2	M4 x 8mm Screw	65	2	M10 Locknut
30	2	M10 x 75mm Carriage Bolt	66	2	M4 x 5mm Self-tapping Screw
31	2	Eyebolt	67	1	M5 Curved Washer
32	1	M6 Nut	68	8	M6 Washer
33	2	M10 x 60mm Button Screw	69	4	M6 Curved Washer
34	3	M8 x 20mm Button Screw	70	2	M4 Washer
35	1	Drive Belt	*	—	User's Manual
36	—	(Not Used)	*	—	Assembly Tool

Note: Specifications are subject to change without notice. For information about ordering replacement parts, see the back cover of this manual. *These parts are not illustrated.

EXPLODED DRAWING—Model No. WLEX1476FM.0

R1209A



ORDERING REPLACEMENT PARTS

To order replacement parts, see the front cover of this manual. To help us assist you, please be prepared to provide the following information when contacting us:

- the model number and serial number of the product (see the front cover of this manual)
- the name of the product (see the front cover of this manual)
- the key number and description of the replacement part(s) (see the PART LIST and the EXPLODED DRAWING near the end of this manual)

LIMITED WARRANTY

IMPORTANT: You must register this product within 30 days of the purchase date to avoid added fees for service needed under warranty. Go to www.wesloservice.com/registration.

ICON Health & Fitness, Inc. (ICON) warrants this product to be free from defects in workmanship and material, under normal use and service conditions. Parts and labor are warranted for ninety (90) days from the date of purchase.

This warranty extends only to the original purchaser. ICON's obligation under this warranty is limited to repairing or replacing, at ICON's option, the product through one of its authorized service centers. All repairs for which warranty claims are made must be preauthorized by ICON. If the product is shipped to a service center, freight charges to and from the service center will be the customer's responsibility. For replacement parts shipped while the product is under warranty, the customer will be responsible for a minimal handling charge. For in-home service, the customer will be responsible for a minimal trip charge. This warranty does not extend to any damage to a product caused by or attributable to freight damage, abuse, misuse, improper or abnormal usage, or repairs not provided by an ICON authorized service center; to products used for commercial or rental purposes or as store display models; or to products transported or purchased outside the US. No other warranty beyond that specifically set forth above is authorized by ICON.

ICON is not responsible or liable for indirect, special, or consequential damages arising out of or in connection with the use or performance of the product; damages with respect to any economic loss, loss of property, loss of revenues or profits, loss of enjoyment or use, or costs of removal or installation; or other consequential damages of whatsoever nature. Some states do not allow the exclusion or limitation of incidental or consequential damages. Accordingly, the above limitation may not apply to you.

The warranty extended hereunder is in lieu of any and all other warranties, and any implied warranties of merchantability or fitness for a particular purpose are limited in their scope and duration to the terms set forth herein. Some states do not allow limitations on how long an implied warranty lasts. Accordingly, the above limitation may not apply to you.

This warranty gives you specific legal rights. You may also have other rights that vary from state to state.

ICON Health & Fitness, Inc., 1500 S. 1000 W., Logan, UT 84321-9813