

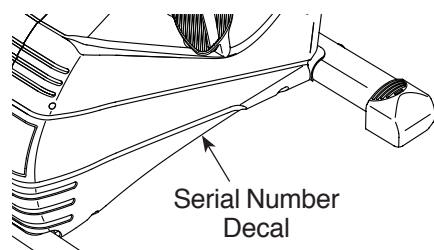
# WESLO® pursuit CT 2.2

www.weslo.com

Model No. WLEX31212.0

Serial No. \_\_\_\_\_

Write the serial number in the space above for reference.



## USER'S MANUAL

### QUESTIONS?

If you have questions, or if parts are damaged or missing, **DO NOT CONTACT THE STORE**; please contact Customer Care.

**IMPORTANT:** Please register this product (see the limited warranty on the back cover of this manual) before contacting Customer Care.

CALL TOLL-FREE:

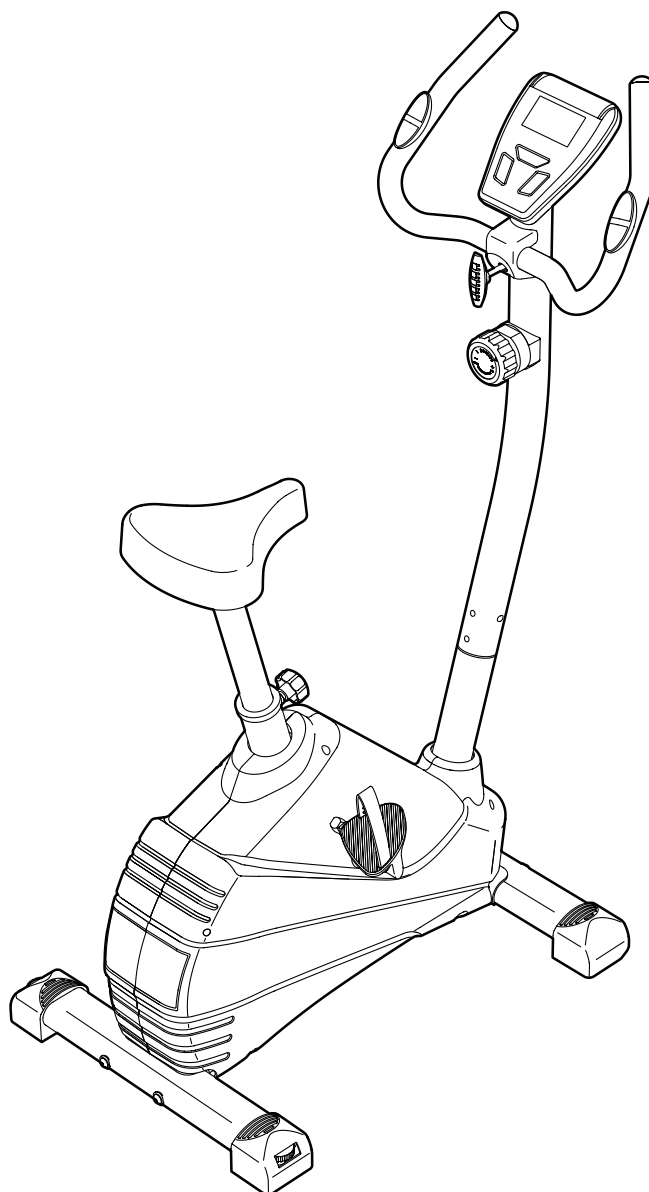
**1-866-699-3756**

Mon.–Fri. 6 a.m.–6 p.m. MT

Sat. 8 a.m.–4 p.m. MT

ON THE WEB:

www.wesloservice.com



### ⚠ CAUTION

Read all precautions and instructions in this manual before using this equipment. Keep this manual for future reference.

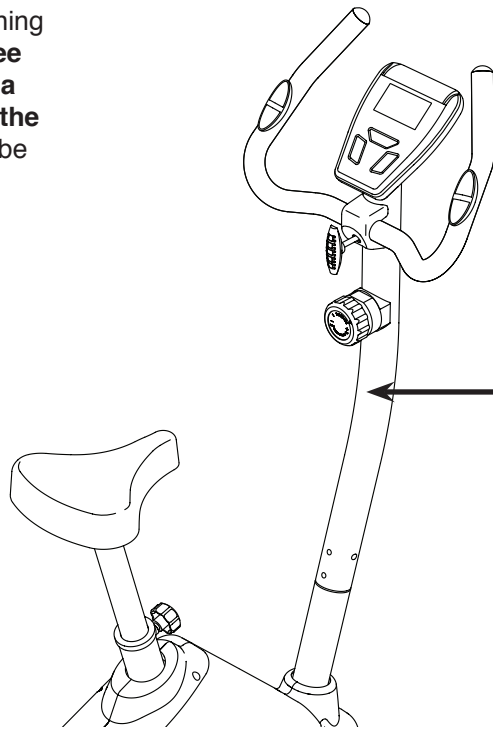


# TABLE OF CONTENTS

WARNING DECAL PLACEMENT .....	2
IMPORTANT PRECAUTIONS .....	3
BEFORE YOU BEGIN .....	4
ASSEMBLY .....	5
HOW TO USE THE EXERCISE BIKE .....	10
MAINTENANCE AND TROUBLESHOOTING .....	13
FCC INFORMATION .....	15
EXERCISE GUIDELINES .....	16
PART LIST .....	18
EXPLODED DRAWING .....	19
ORDERING REPLACEMENT PARTS .....	Back Cover
LIMITED WARRANTY .....	Back Cover

## WARNING DECAL PLACEMENT

This drawing shows the location(s) of the warning decal(s). **If a decal is missing or illegible, see the front cover of this manual and request a free replacement decal. Apply the decal in the location shown.** Note: The decal(s) may not be shown at actual size.



**WARNING**  
**ADVERTENCIA**

- Misuse of this machine may result in serious injury.
- Read user's manual prior to use and follow all warnings and instructions.
- Do not allow children on or around machine.
- Pedals continue to spin when you stop pedaling.
- Spinning pedals can cause injury.
- Reduce pedal speed in a controlled manner.
- User weight must not exceed 250 pounds.
- Replace label if damaged, illegible, or removed.

- Mal uso de esta máquina puede resultar en graves lesiones.
- Lea el manual del usuario antes del uso y siga todas las precauciones e instrucciones.
- No deje a niños en o alrededor de la máquina.
- Los pedales continúan a girar cuando usted para de empujar a los pedales.
- Los pedales al girar pueden causar heridas.
- Reduzca la velocidad de los pedales en forma controlada.
- El peso del usuario no debe exceder 113 kg.
- Reemplace la calcomanía si está dañada, ilegible, o faltando.

---

# IMPORTANT PRECAUTIONS

**⚠ WARNING:** To reduce the risk of serious injury, read all important precautions and instructions in this manual and all warnings on your exercise bike before using your exercise bike. ICON assumes no responsibility for personal injury or property damage sustained by or through the use of this product.

1. Before beginning any exercise program, consult your physician. This is especially important for persons over age 35 or persons with pre-existing health problems.
2. Use the exercise bike only as described in this manual.
3. It is the responsibility of the owner to ensure that all users of the exercise bike are adequately informed of all precautions.
4. The exercise bike is intended for home use only. Do not use the exercise bike in a commercial, rental, or institutional setting.
5. Keep the exercise bike indoors, away from moisture and dust. Do not put the exercise bike in a garage or covered patio, or near water.
6. Place the exercise bike on a level surface, with a mat beneath it to protect the floor or carpet. Make sure that there is at least 2 ft. (0.6 m) of clearance around the exercise bike.
7. Inspect and properly tighten all parts regularly. Replace any worn parts immediately.
8. Keep children under age 12 and pets away from the exercise bike at all times.
9. Wear appropriate clothes while exercising; do not wear loose clothes that could become caught on the exercise bike. Always wear athletic shoes for foot protection.
10. The exercise bike should not be used by persons weighing more than 250 lbs. (113 kg).
11. Always keep your back straight while using the exercise bike; do not arch your back.
12. The heart rate monitor is not a medical device. Various factors may affect the accuracy of heart rate readings. The heart rate monitor is intended only as an exercise aid in determining heart rate trends in general.
13. The exercise bike does not have a freewheel; the pedals will continue to move until the flywheel stops. Reduce your pedaling speed in a controlled way.
14. Over exercising may result in serious injury or death. If you feel faint or if you experience pain while exercising, stop immediately and cool down.

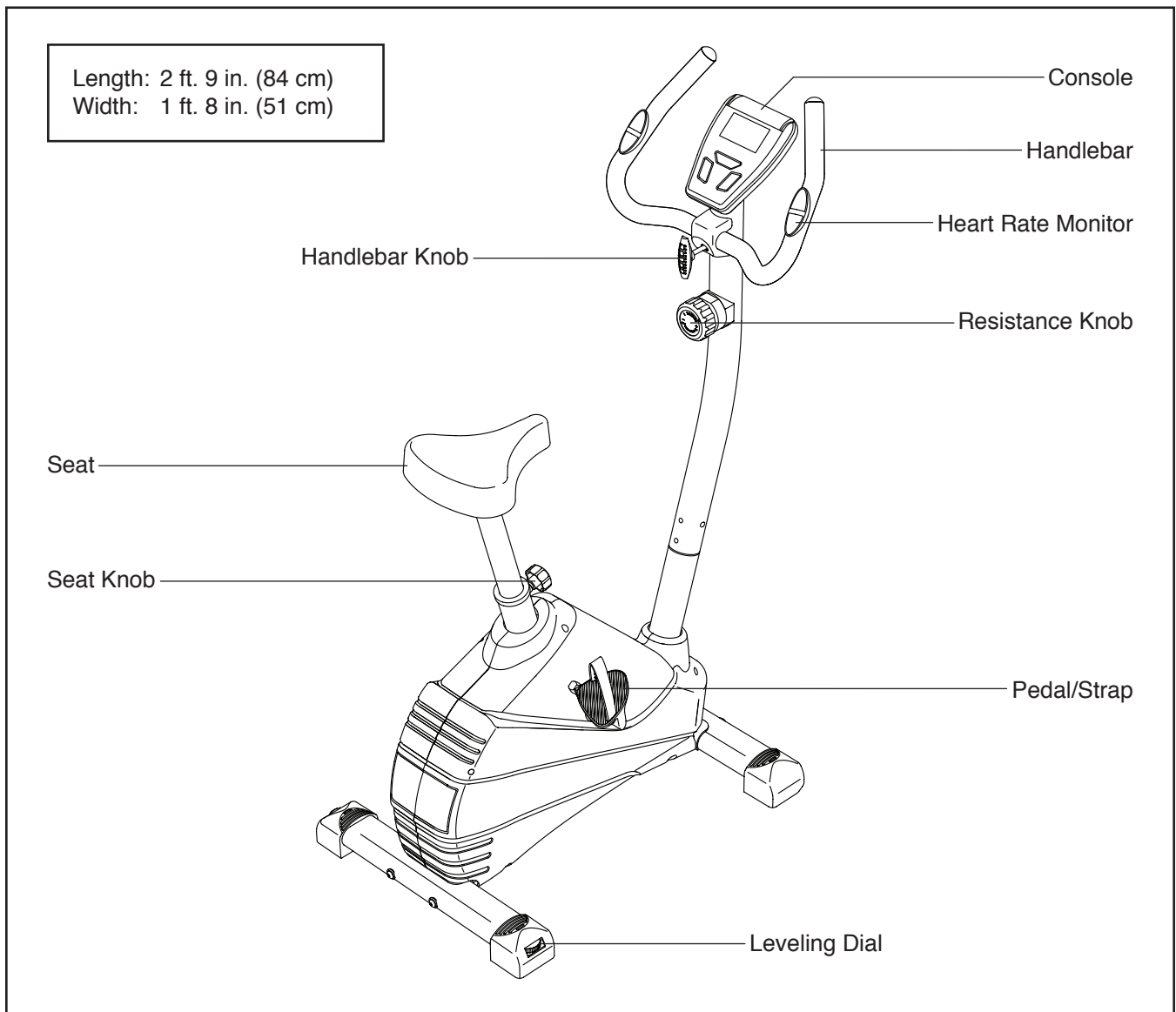
# BEFORE YOU BEGIN

Thank you for selecting the new WESLO® PURSUIT CT 2.2 exercise bike. Cycling is an effective exercise for increasing cardiovascular fitness, building endurance, and toning the body. The PURSUIT CT 2.2 exercise bike provides a selection of features designed to make your workouts at home more effective and enjoyable.

**For your benefit, read this manual carefully before you use the exercise bike.** If you have questions after

reading this manual, please see the front cover of this manual. To help us assist you, note the product model number and serial number before contacting us. The model number and the location of the serial number decal are shown on the front cover of this manual.

Before reading further, please review the drawing below and familiarize yourself with the labeled parts.



# ASSEMBLY

- To hire an authorized service technician to assemble this product, call 1-800-445-2480.

- To watch an assembly video, go to <http://productvideo.co/assembly/kmart/weslo> or use your mobile phone or smartphone to read the QR code at the right.




- Assembly requires two persons.
- Place all parts in a cleared area and remove the packing materials. Do not dispose of the packing materials until you finish all assembly steps.

- Left parts are marked “L” or “Left” and right parts are marked “R” or “Right.”

- In addition to the included tool(s), assembly requires the following tool(s):

one Phillips screwdriver 

one adjustable wrench 

one pair of pliers 

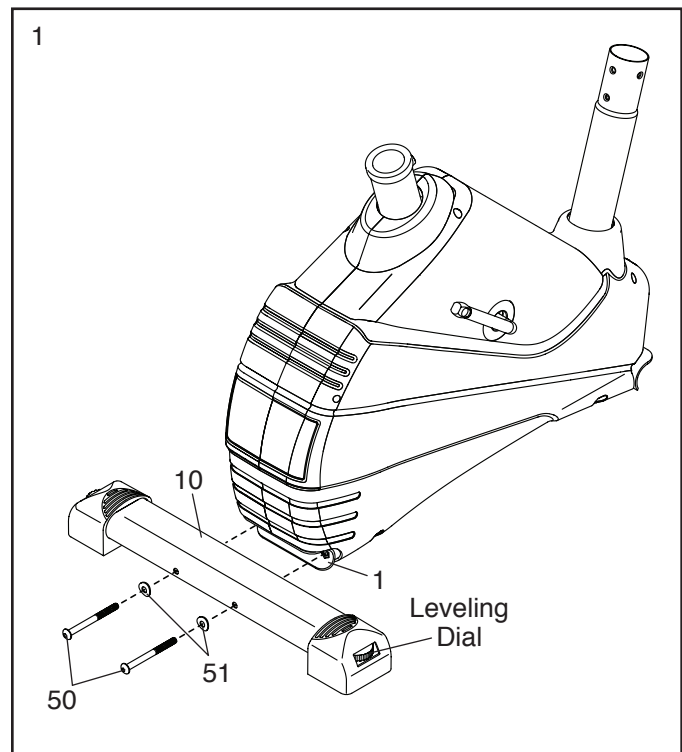
Assembly may be easier if you have a set of wrenches. To avoid damaging parts, do not use power tools.

1. Identify the Rear Stabilizer (10), which has a leveling dial on each end.

Set a sturdy piece of packing material under the rear of the Frame (1). **Have a second person hold the Frame to prevent it from tipping while you complete this step.**

Attach the Rear Stabilizer (10) to the Frame (1) with two M8 x 92mm Screws (50) and two M8 Curved Washers (51).

Remove the packing material.

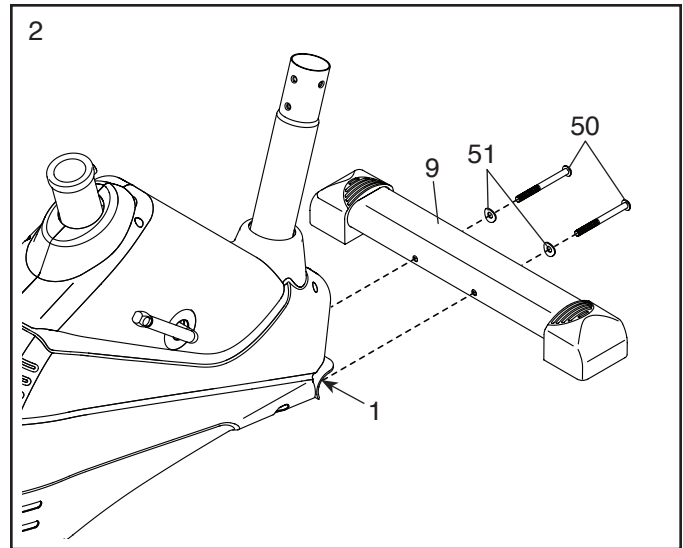


- If there is a cardboard tube (not shown) on the front the Frame (1), remove and discard the attachment screw and the cardboard tube.

Set a sturdy piece of packing material under the front of the Frame (1). **Have a second person hold the Frame to prevent it from tipping while you complete this step.**

Attach the Front Stabilizer (9) to the Frame (1) with two M8 x 92mm Screws (50) and two M8 Curved Washers (51).

Remove the packing material.



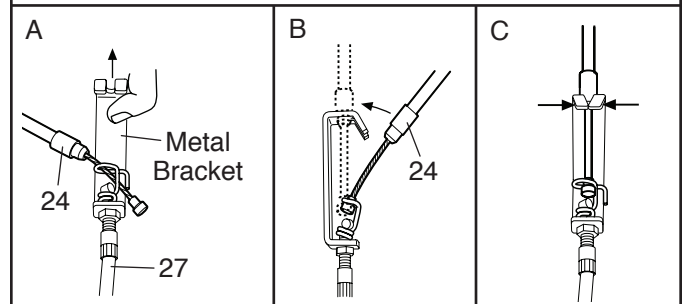
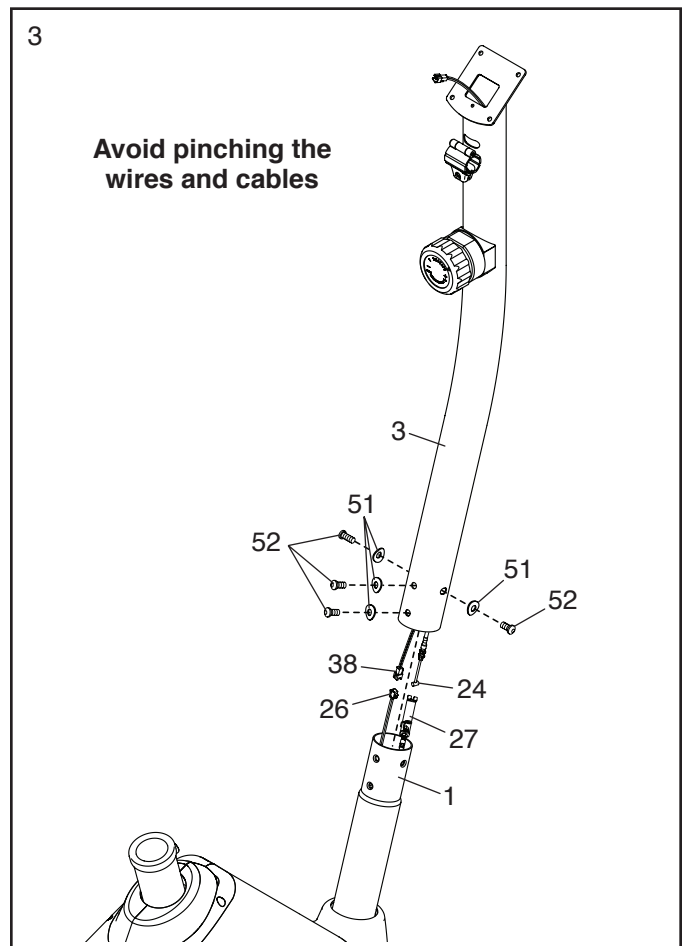
- While a second person holds the Upright (3) near the Frame (1), connect the Extension Wire (38) to the Reed Switch Wire (26).

Next, connect the Resistance Cable (24) to the Lower Resistance Cable (27) in the following way:

- **See drawing A.** Pull upward on the metal bracket on the Lower Resistance Cable (27), and insert the tip of the Resistance Cable (24) into the wire clip inside the metal bracket.
- **See drawing B.** Firmly pull the Resistance Cable (24) upward and slide it into the top of the metal bracket.
- **See drawing C.** Using pliers, squeeze the prongs on the upper end of the metal bracket together.

Insert the wires and cables into the Frame (1).

**Tip: Avoid pinching the wires and cables.** Slide the Upright (3) onto the Frame (1). Attach the Upright with four M8 x 20mm Screws (52) and four M8 Curved Washers (51).

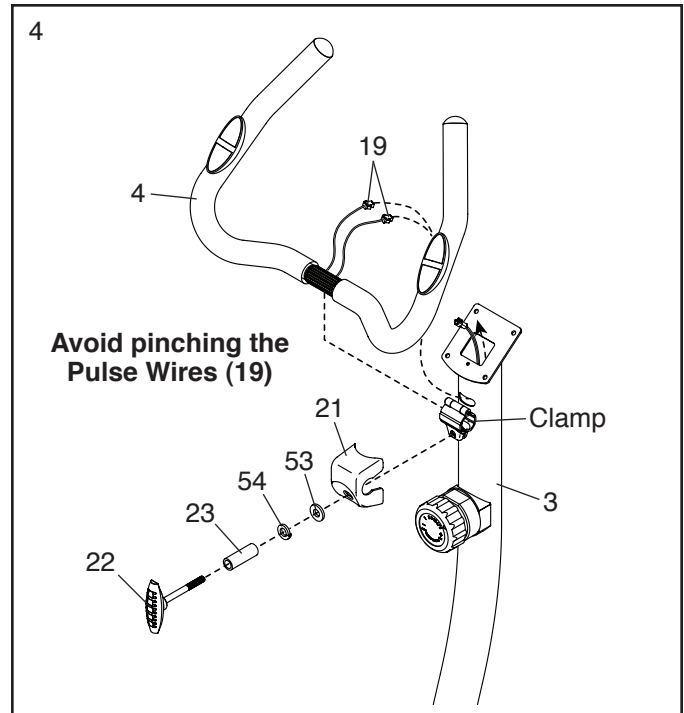


4. Have a second person hold the Handlebar (4) near the Upright (3). Insert the two Pulse Wires (19) into the Upright, and pull them out of the top of the Upright.

**Tip: Avoid pinching the Pulse Wires (19).**

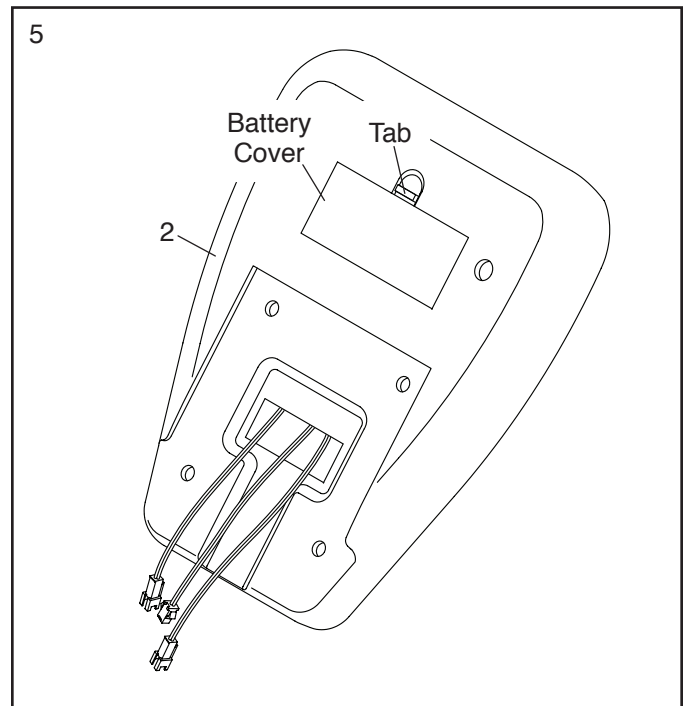
Open the indicated clamp on the Upright (3), hold the Handlebar (4) inside the clamp, and close the clamp. Then, slide the Handlebar Cover (21) onto the Handlebar and the clamp.

Slide the Knob Spacer (23), an M8 Split Washer (54), and an M8 Small Washer (53) onto the Handlebar Knob (22). Then, tighten the Handlebar Knob into the clamp.



5. The Console (2) requires two AA batteries (not included); alkaline batteries are recommended. Do not use old and new batteries together or alkaline, standard, and rechargeable batteries together. **IMPORTANT: If the Console has been exposed to cold temperatures, allow it to warm to room temperature before you insert batteries. Otherwise, you may damage the console displays or other electronic components.**

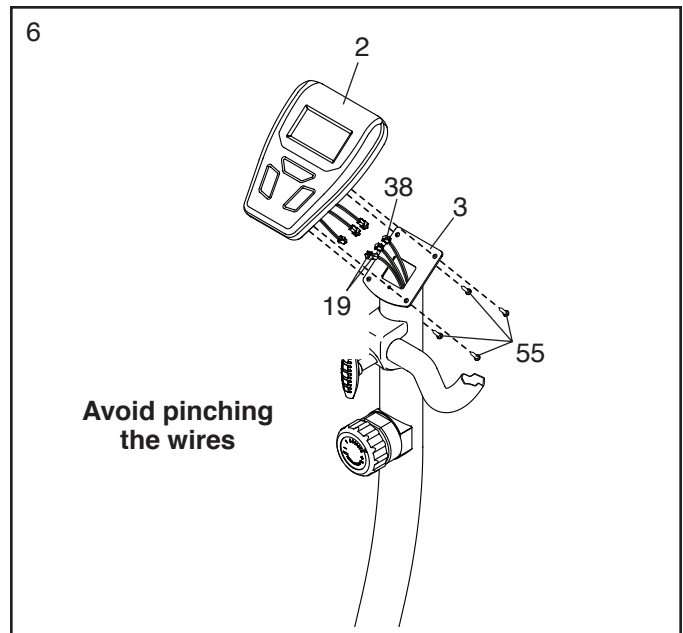
Press the tab on the battery cover, and remove the battery cover. Next, insert batteries into the battery compartment. **Make sure to orient the batteries as shown by the diagram inside the battery compartment.** Then, reattach the battery cover.



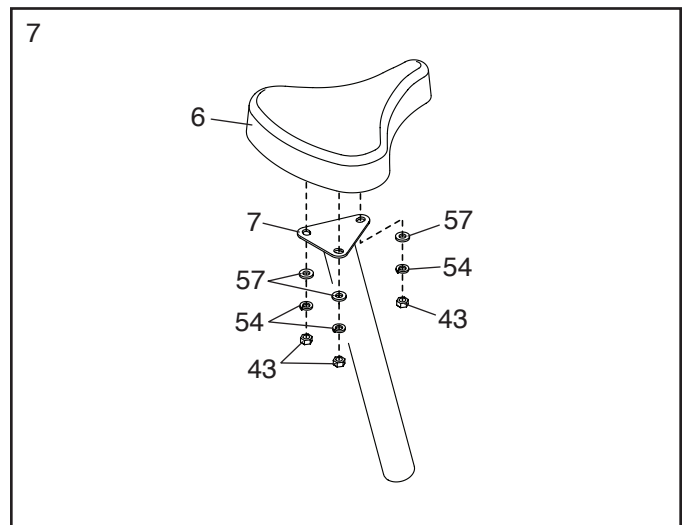
6. Have a second person hold the Console (2) near the Upright (3). Connect the wires on the Console to the Extension Wire (38) and to the Pulse Wires (19).

Insert the excess wire into the Upright (3) or into the Console (2).

**Tip: Avoid pinching the wires.** Attach the Console (2) to the Upright (3) with four M5 x 10mm Screws (55).



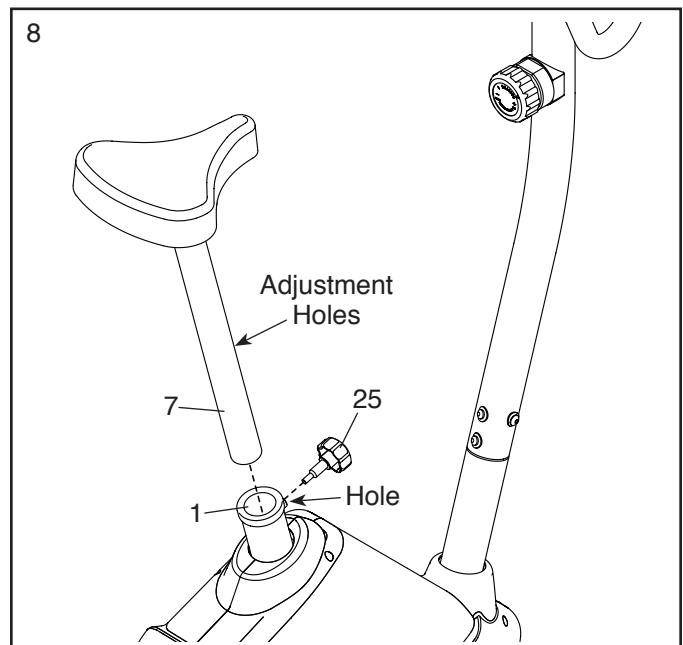
7. Attach the Seat (6) to the Seat Post (7) with three M8 Locknuts (43), three M8 Split Washers (54), and three M8 Large Washers (57).  
**Note: The Locknuts, Split Washers, and Large Washers may be preattached to the underside of the Seat.**



8. Loosen and remove the Seat Knob (25) from the Frame (1).

Next, insert the Seat Post (7) into the Frame (1), adjust the Seat Post to the desired height, and insert the Seat Knob (25) into the indicated hole in the Frame and into one of the adjustment holes in the Seat Post.

Tighten the Seat Knob (25). **Make sure that the Seat Knob is inserted into one of the adjustment holes in the Seat Post (7).**



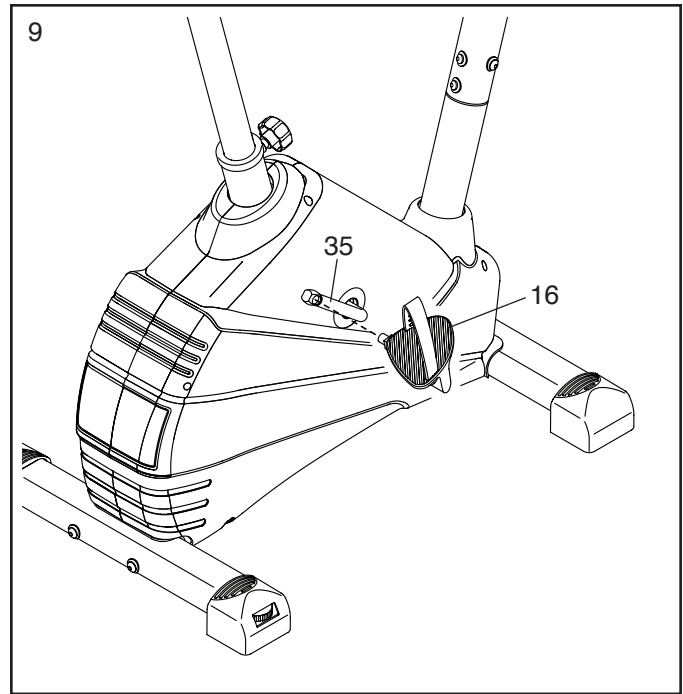
9. Identify the Right Pedal (16).

Using an adjustable wrench, **firmly tighten** the Right Pedal (16) **clockwise** into the right arm of the Crank (35).

Tighten the Left Pedal (not shown) **counter-clockwise** into the left arm of the Crank (not shown).

Adjust the strap on the Right Pedal (16) to the desired position, and press the end of the strap onto the tab on the side of the Right Pedal.

**Adjust the strap on the Left Pedal (not shown) in the same way.**



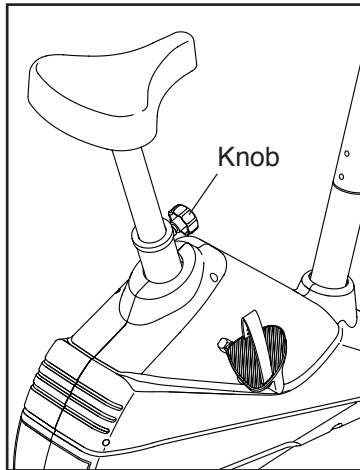
10. **Make sure that all parts are properly tightened before you use the exercise bike.** Note: Extra parts may be included. Place a mat beneath the exercise bike to protect the floor.

# HOW TO USE THE EXERCISE BIKE

## HOW TO ADJUST THE SEAT POST

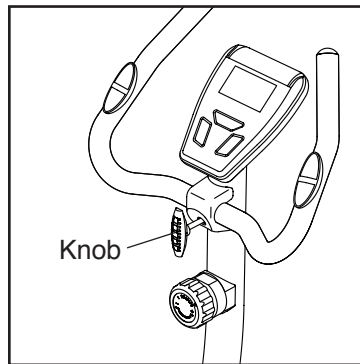
For effective exercise, the seat should be at the proper height. As you pedal, there should be a slight bend in your knees when the pedals are in the lowest position.

To adjust the height of the seat, first loosen and remove the seat knob. Next, slide the seat post upward or downward and align one of the adjustment holes in the seat post with the hole in the frame. Insert the seat knob into the frame and the seat post, and then tighten the seat knob. **Make sure that the seat knob is inserted into one of the adjustment holes in the seat post.**



## HOW TO ADJUST THE HANDLEBAR

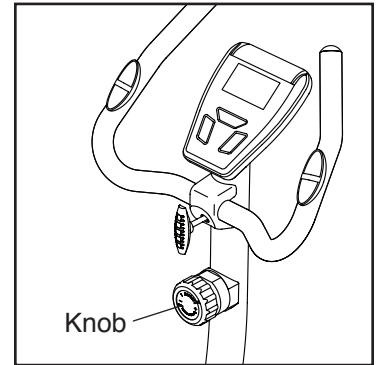
To adjust the angle of the handlebar, loosen the handlebar knob, rotate the handlebar to the desired position, and then tighten the handlebar knob.



## HOW TO ADJUST THE PEDALING RESISTANCE

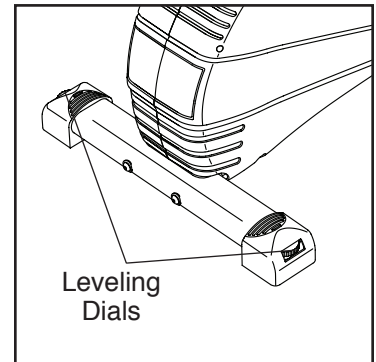
To increase the resistance of the pedals, turn the resistance knob clockwise; to decrease the resistance, turn the knob counterclockwise.

**IMPORTANT: Stop turning the knob when turning becomes difficult, or you may damage the exercise bike.**



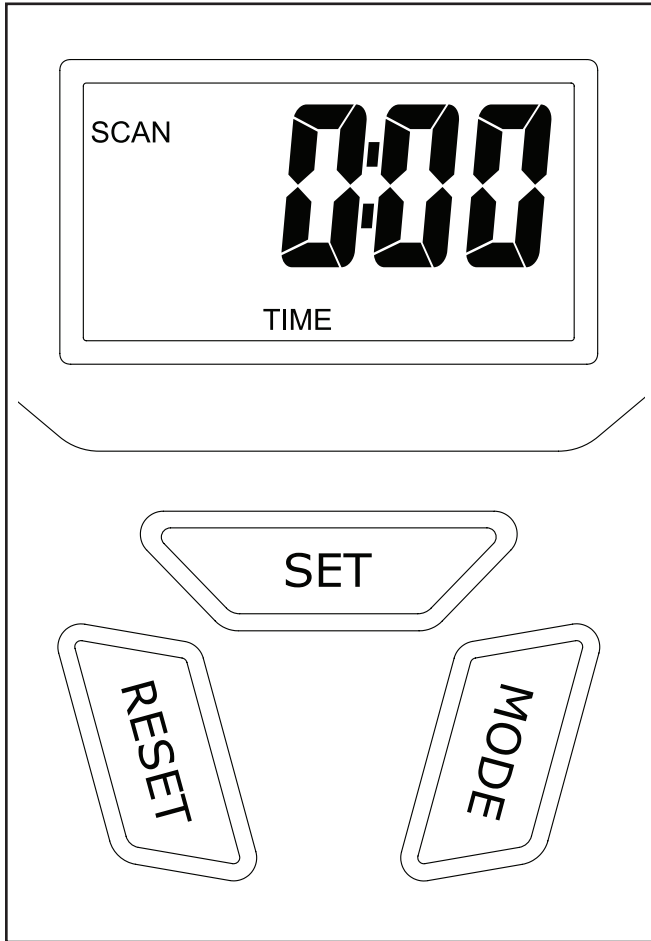
## HOW TO LEVEL THE EXERCISE BIKE

If the exercise bike rocks slightly on your floor during use, turn the dial on one or both of the leveling feet on the rear stabilizer until the rocking motion is eliminated.



## FEATURES OF THE CONSOLE

The easy-to-use console features seven displays that provide instant exercise feedback during your workouts. The displays are described at the right.



**Scan**—This mode shows the time, speed, distance, calories, odometer, and pulse displays, for a few seconds each, in a repeating cycle. Note: The pulse display will appear only while you are using the heart rate monitor.

**Time**—This display shows the elapsed time. Note: If you set a time goal (see step 2 on page 12), this display will show the time remaining in your workout.

**Speed**—This display shows your pedaling speed, in miles per hour.

**Distance (Dist)**—This display shows the distance you have pedaled during your workout, in miles. Note: If you set a distance goal (see step 2 on page 12), this display will show the distance remaining in your workout.

**Calories (Cal)**—This display shows the approximate number of calories you have burned during your workout. Note: If you set a calorie-burning goal (see step 2 on page 12), this display will show the number of calories still to be burned in your workout.

**Odometer (Odo)**—This display shows the total distance pedaled since the odometer was last reset. Note: To reset the odometer, remove the batteries from the console and then reinsert them.

**Pulse**—This display shows your heart rate in beats per minute when the console detects your pulse. When no pulse is detected, a P will appear in the display. Note: If you set a pulse goal (see step 2 on page 12), when your goal is reached, a tone will sound for several seconds.

## HOW TO USE THE CONSOLE

Make sure that there are batteries (not included) in the console (see assembly step 5 on page 7). If there is a sheet of plastic on the console, remove the plastic.

### 1. Turn on the console.

To turn on the console, press any button on the console or simply begin pedaling.

### 2. Set a workout goal, if desired.

To set a time, distance, calorie-burning, or pulse goal for your workout, press the MODE button repeatedly until the word TIME, DIST, CAL, or P appears in the display. **Make sure that the word SCAN does not appear in the display.**

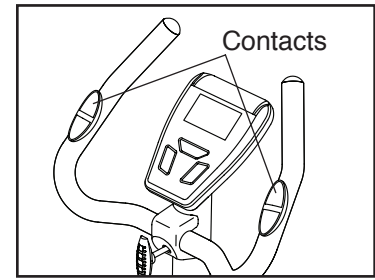
Next, press the SET button repeatedly to set a goal. To set a goal quickly, hold down the SET button. To reset the goal, press the RESET button.

### 3. Begin pedaling and follow your progress with the displays.

As you exercise, the console will provide instant feedback about your workout. If you have set a workout goal, a tone will sound for several seconds when you reach your goal; if you continue to exercise, the display will begin to count upward.

### 4. Measure your heart rate, if desired.

If there are sheets of plastic on the metal contacts of the handgrip heart rate monitor, remove the plastic. Place your hands on the handgrip



heart rate monitor, with your palms on the contacts. Avoid moving your hands. When your pulse is detected, your heart rate will be shown. **For the most accurate heart rate reading, continue to hold the handgrips for about 30 seconds.**

If your heart rate is not shown, make sure that your hands are positioned as described. Avoid moving your hands excessively or squeezing the metal contacts tightly. For optimal performance, periodically clean the metal contacts using a soft cloth; **never use alcohol, abrasives, or chemicals to clean the contacts.**

### 5. When you are finished exercising, the console will turn off automatically.

If the pedals do not move for a few seconds, the console displays will pause.

The console has an “auto-off” feature. If the pedals do not move and the console buttons are not pressed for a few minutes, the power will turn off automatically to save the batteries.

# MAINTENANCE AND TROUBLESHOOTING

Inspect and tighten all parts of the exercise bike regularly. Replace any worn parts immediately.

To clean the exercise bike, use a damp cloth and a small amount of mild detergent. **IMPORTANT: To avoid damage to the console, keep liquids away from the console and keep the console out of direct sunlight.**

## CONSOLE TROUBLESHOOTING

If the console display becomes dim, replace the batteries (see assembly step 5 on page 7); most console problems are the result of low batteries.

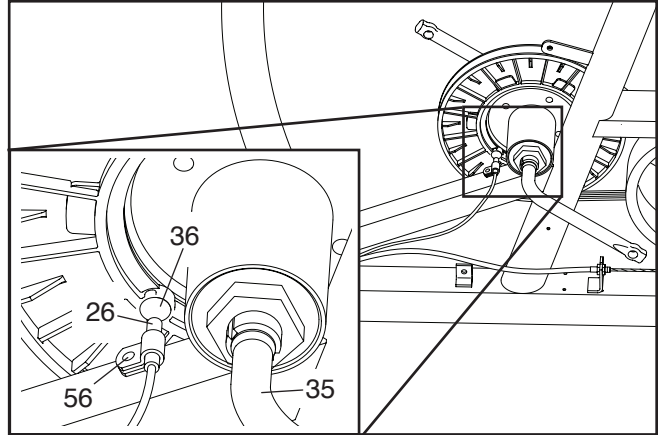
If the heart rate monitor does not function properly, see step 4 on page 12.

## HOW TO ADJUST THE REED SWITCH

If the console does not display correct feedback, the reed switch should be adjusted. To adjust the reed switch, the left pedal and the left shield must be removed.

Using an adjustable wrench, turn the left pedal clockwise and remove it. Next, remove all of the screws from both shields. Then, carefully remove the left shield.

Next, turn the resistance knob to the lowest setting. Locate the Reed Switch (26). Turn the Crank (35) until the Magnet (36) is aligned with the Reed Switch. Loosen, but do not remove, the M4 x 20mm Screw (56).



Next, slide the Reed Switch (26) slightly closer to or away from the Magnet (36), and then retighten the M4 x 20mm Screw (56). Turn the Crank (35) for a moment. Repeat these actions until the console displays correct feedback.

When the reed switch is correctly adjusted, reattach the shields and the left pedal.

## HOW TO ADJUST THE DRIVE BELT

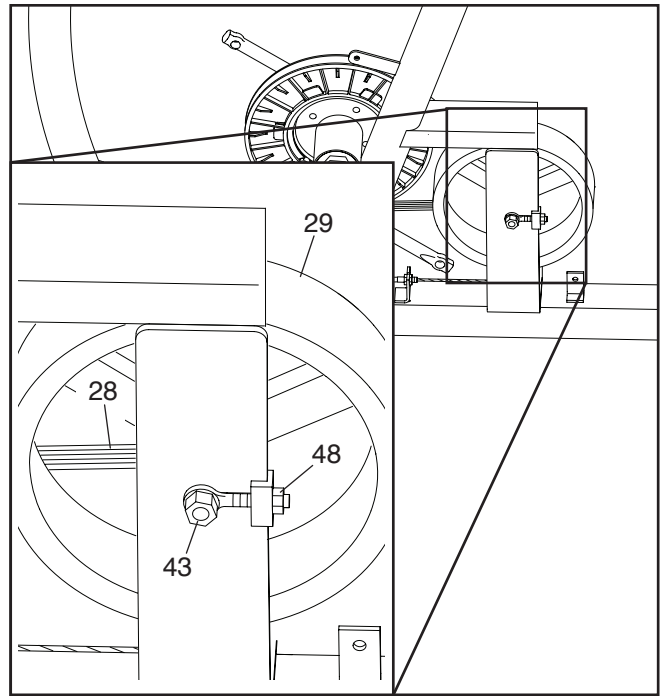
If you can feel the pedals slip while you are pedaling, even when the resistance is set at the highest level, the drive belt may need to be adjusted. To adjust the drive belt, the pedals and the shields must be removed.

Use an adjustable wrench to remove the pedals. To remove the left pedal, turn the left pedal clockwise; to remove the right pedal, turn the right pedal counterclockwise.

Next, remove all of the screws from both shields. Then, carefully remove the shields.

Next, loosen the M8 Locknuts (43) on each side of the Flywheel (29). Then, tighten the M5 Nuts (48) on each side of the Flywheel, until the Drive Belt (28) is properly tightened.

Finally, tighten the M8 Locknuts (43), and reattach the shields and the pedals.



---

## FCC INFORMATION

This equipment has been tested and found to comply with the limits for a Class B digital device, pursuant to part 15 of the FCC Rules. These limits are designed to provide reasonable protection against harmful interference in a residential installation. This equipment generates, uses, and can radiate radio frequency energy and, if not installed and used in accordance with the instructions, may cause harmful interference to radio communications. However, there is no guarantee that interference will not occur in a particular installation. If this equipment does cause harmful interference to radio or television reception, which can be determined by turning the equipment off and on, try to correct the interference by one or more of the following measures:

- Reorient or relocate the receiving antenna.
- Increase the separation between the equipment and the receiver.
- Connect the equipment into an outlet on a circuit different from that to which the receiver is connected.
- Consult the dealer or an experienced radio/TV technician for help.

**FCC CAUTION: To assure continued compliance, use only shielded interface cables when connecting to computer or peripheral devices. Changes or modifications not expressly approved by the party responsible for compliance could void the user's authority to operate this equipment.**

# EXERCISE GUIDELINES

**⚠️ WARNING:** Before beginning this or any exercise program, consult your physician. This is especially important for persons over age 35 or persons with pre-existing health problems.

The heart rate monitor is not a medical device. Various factors may affect the accuracy of heart rate readings. The heart rate monitor is intended only as an exercise aid in determining heart rate trends in general.

These guidelines will help you to plan your exercise program. For detailed exercise information, obtain a reputable book or consult your physician. Remember, proper nutrition and adequate rest are essential for successful results.

## EXERCISE INTENSITY

Whether your goal is to burn fat or to strengthen your cardiovascular system, exercising at the proper intensity is the key to achieving results. You can use your heart rate as a guide to find the proper intensity level. The chart below shows recommended heart rates for fat burning and aerobic exercise.

165	155	145	140	130	125	115	♥♥
145	138	130	125	118	110	103	♥
125	120	115	110	105	95	90	♥
<hr/>							
20	30	40	50	60	70	80	

To find the proper intensity level, find your age at the bottom of the chart (ages are rounded off to the nearest ten years). The three numbers listed above your age define your “training zone.” The lowest number is the heart rate for fat burning, the middle number is the heart rate for maximum fat burning, and the highest number is the heart rate for aerobic exercise.

**Burning Fat**—To burn fat effectively, you must exercise at a low intensity level for a sustained period of time. During the first few minutes of exercise, your body uses carbohydrate calories for energy. Only after the first few minutes of exercise does your body begin to use stored fat calories for energy. If your goal is to burn fat, adjust the intensity of your exercise until your heart rate is near the lowest number in your training zone. For maximum fat burning, exercise with your heart rate near the middle number in your training zone.

**Aerobic Exercise**—If your goal is to strengthen your cardiovascular system, you must perform aerobic exercise, which is activity that requires large amounts of oxygen for prolonged periods of time. For aerobic exercise, adjust the intensity of your exercise until your heart rate is near the highest number in your training zone.

## WORKOUT GUIDELINES

**Warming Up**—Start with 5 to 10 minutes of stretching and light exercise. A warm-up increases your body temperature, heart rate, and circulation in preparation for exercise.

**Training Zone Exercise**—Exercise for 20 to 30 minutes with your heart rate in your training zone. (During the first few weeks of your exercise program, do not keep your heart rate in your training zone for longer than 20 minutes.) Breathe regularly and deeply as you exercise; never hold your breath.

**Cooling Down**—Finish with 5 to 10 minutes of stretching. Stretching increases the flexibility of your muscles and helps to prevent post-exercise problems.

## EXERCISE FREQUENCY

To maintain or improve your condition, complete three workouts each week, with at least one day of rest between workouts. After a few months of regular exercise, you may complete up to five workouts each week, if desired. Remember, the key to success is to make exercise a regular and enjoyable part of your everyday life.

## SUGGESTED STRETCHES

The correct form for several basic stretches is shown at the right. Move slowly as you stretch; never bounce.

### 1. Toe Touch Stretch

Stand with your knees bent slightly and slowly bend forward from your hips. Allow your back and shoulders to relax as you reach down toward your toes as far as possible. Hold for 15 counts, then relax. Repeat 3 times. Stretches: Hamstrings, back of knees and back.

### 2. Hamstring Stretch

Sit with one leg extended. Bring the sole of the opposite foot toward you and rest it against the inner thigh of your extended leg. Reach toward your toes as far as possible. Hold for 15 counts, then relax. Repeat 3 times for each leg. Stretches: Hamstrings, lower back and groin.

### 3. Calf/Achilles Stretch

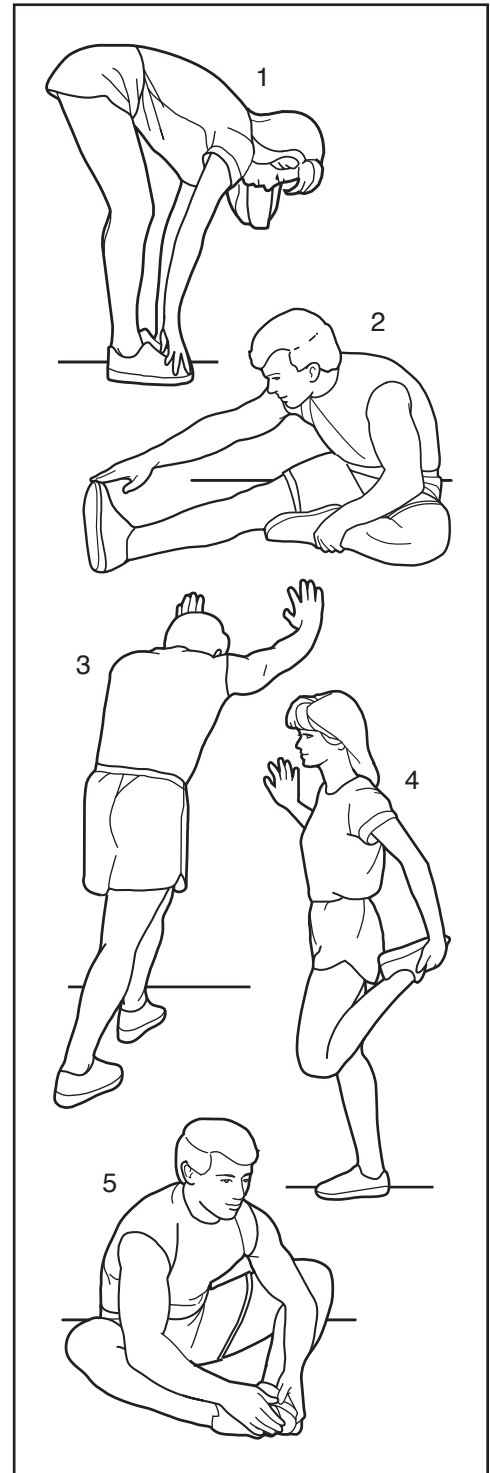
With one leg in front of the other, reach forward and place your hands against a wall. Keep your back leg straight and your back foot flat on the floor. Bend your front leg, lean forward and move your hips toward the wall. Hold for 15 counts, then relax. Repeat 3 times for each leg. To cause further stretching of the achilles tendons, bend your back leg as well. Stretches: Calves, achilles tendons and ankles.

### 4. Quadriceps Stretch

With one hand against a wall for balance, reach back and grasp one foot with your other hand. Bring your heel as close to your buttocks as possible. Hold for 15 counts, then relax. Repeat 3 times for each leg. Stretches: Quadriceps and hip muscles.

### 5. Inner Thigh Stretch

Sit with the soles of your feet together and your knees outward. Pull your feet toward your groin area as far as possible. Hold for 15 counts, then relax. Repeat 3 times. Stretches: Quadriceps and hip muscles.



# PART LIST

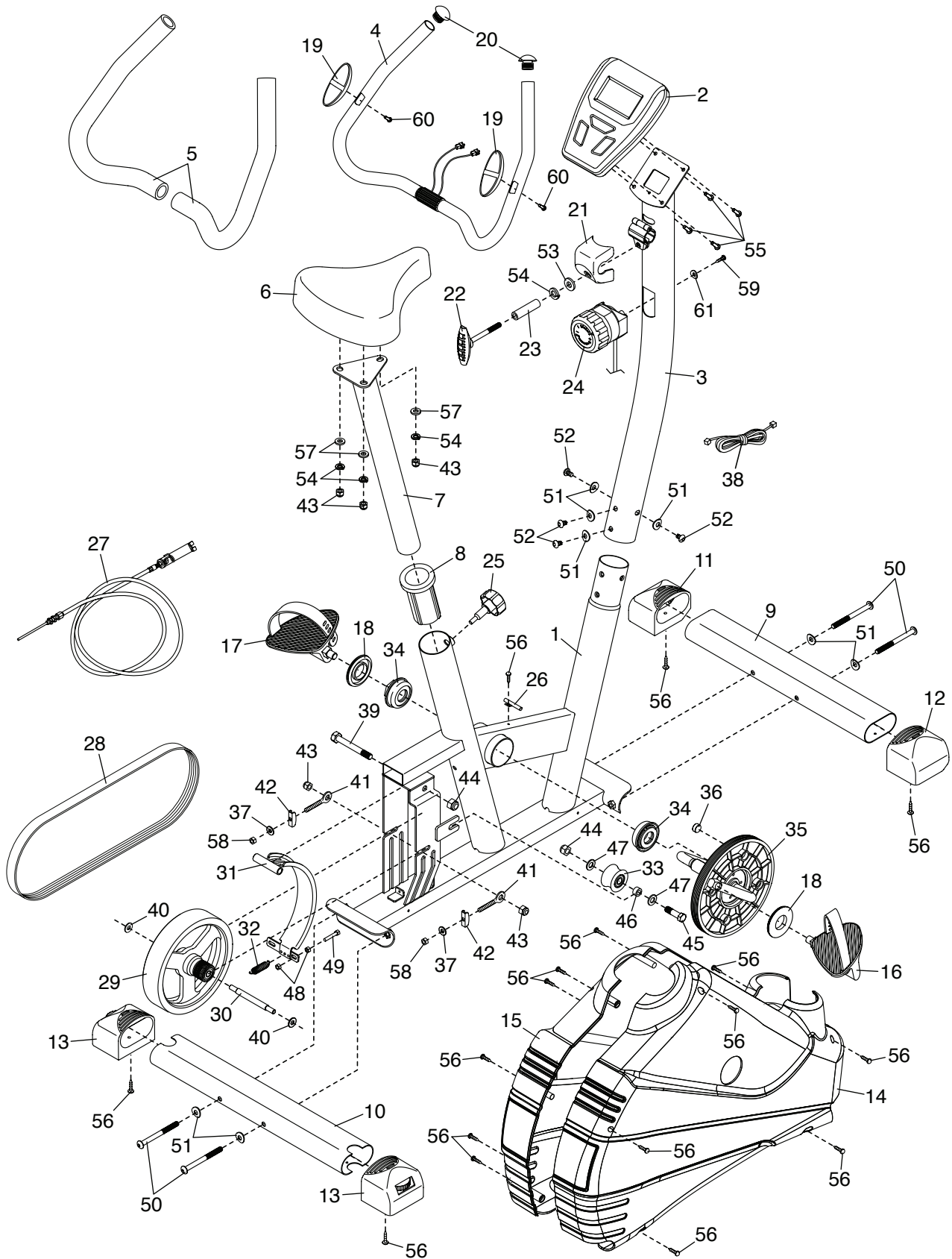
Model No. WLEX31212.0 R0812A

Key No.	Qty.	Description	Key No.	Qty.	Description
1	1	Frame	33	1	Idler
2	1	Console	34	1	Crank Bearing Assembly
3	1	Upright	35	1	Crank/Pulley
4	1	Handlebar	36	1	Magnet
5	1	Handlebar Foam, Set	37	2	M6 Washer
6	1	Seat	38	1	Extension Wire
7	1	Seat Post	39	1	M10 x 78mm Bolt
8	1	Sleeve	40	2	M8 Washer
9	1	Front Stabilizer	41	2	Eyebolt
10	1	Rear Stabilizer	42	2	U-bracket
11	1	Left Front Cap	43	5	M8 Locknut
12	1	Right Front Cap	44	2	M10 Locknut
13	2	Rear Cap	45	1	M10 x 35mm Bolt
14	1	Right Shield	46	1	Idler Spacer
15	1	Left Shield	47	2	M10 Washer
16	1	Right Pedal/Strap	48	2	M5 Nut
17	1	Left Pedal/Strap	49	1	M5 x 35mm Bolt
18	2	Shield Grommet	50	4	M8 x 92mm Screw
19	2	Pulse Sensor/Wire	51	8	M8 Curved Washer
20	2	Handlebar Cap	52	4	M8 x 20mm Screw
21	1	Handlebar Cover	53	1	M8 Small Washer
22	1	Handlebar Knob	54	4	M8 Split Washer
23	1	Knob Spacer	55	4	M5 x 10mm Screw
24	1	Resistance Control/Cable	56	17	M4 x 20mm Screw
25	1	Seat Knob	57	3	M8 Large Washer
26	1	Reed Switch/Wire	58	2	M6 Locknut
27	1	Lower Resistance Cable	59	1	M5 x 50mm Screw
28	1	Drive Belt	60	2	M3 x 20mm Screw
29	1	Flywheel	61	1	M5 Washer
30	1	Flywheel Axle	*	—	User's Manual
31	1	C-magnet	*	—	Assembly Tool
32	1	Spring			

Note: Specifications are subject to change without notice. For information about ordering replacement parts, see the back cover of this manual. \*These parts are not illustrated.

# EXPLODED DRAWING

Model No. WLEX31212.0 R0812A



---

# ORDERING REPLACEMENT PARTS

To order replacement parts, please see the front cover of this manual. To help us assist you, be prepared to provide the following information when contacting us:

- the model number and serial number of the product (see the front cover of this manual)
- the name of the product (see the front cover of this manual)
- the key number and description of the replacement part(s) (see the PART LIST and the EXPLODED DRAWING near the end of this manual)

## LIMITED WARRANTY

**IMPORTANT: You must register this product within 30 days of the purchase date to avoid added fees for service needed under warranty. Go to [www.wesloservice.com/registration](http://www.wesloservice.com/registration).**

ICON Health & Fitness, Inc. (ICON) warrants this product to be free from defects in workmanship and material, under normal use and service conditions. Parts and labor are warranted for ninety (90) days from the date of purchase.

This warranty extends only to the original purchaser (customer). ICON's obligation under this warranty is limited to repairing or replacing, at ICON's option, the product through one of its authorized service centers. All repairs for which warranty claims are made must be preauthorized by ICON. If the product is shipped to a service center, freight charges to and from the service center will be the customer's responsibility. If replacement parts are shipped while the product is under warranty, the customer will be responsible for a minimal handling charge. For in-home service, the customer will be responsible for a minimal trip charge. This warranty does not extend to freight damage to the product. This warranty will automatically be voided if the product is used as a store display model, if the product is purchased or transported outside the USA, if all instructions in this manual are not followed, if the product is abused or improperly or abnormally used, or if the product is used for commercial or rental purposes. No other warranty beyond that specifically set forth above is authorized by ICON.

ICON is not responsible or liable for indirect, special, or consequential damages arising out of or in connection with the use or performance of the product; damages with respect to any economic loss, loss of property, loss of revenues or profits, loss of enjoyment or use, or costs of removal or installation; or other consequential damages of any kind. Some states do not allow the exclusion or limitation of incidental or consequential damages. Accordingly, the above limitation may not apply to the customer.

The warranty extended hereunder is in lieu of any and all other warranties, and any implied warranties of merchantability or fitness for a particular purpose are limited in their scope and duration to the terms set forth herein. Some states do not allow limitations on how long an implied warranty lasts. Accordingly, the above limitation may not apply to the customer.

This warranty provides specific legal rights; the customer may have other rights that vary from state to state.

**ICON Health & Fitness, Inc., 1500 S. 1000 W., Logan, UT 84321-9813**