

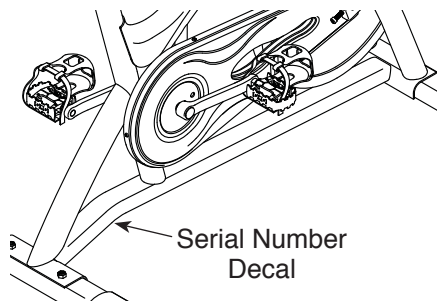
WESLO PROTM

CTX

www.weslo.com

Model No. WLEX32411.0
Serial No. _____

Write the serial number in the space above for reference.



USER'S MANUAL

QUESTIONS?

If you have questions, or if parts are damaged or missing, **DO NOT CONTACT THE STORE**; please contact Customer Care.

IMPORTANT: Please register this product (see the limited warranty on the back cover of this manual) before contacting Customer Care.

CALL TOLL-FREE:

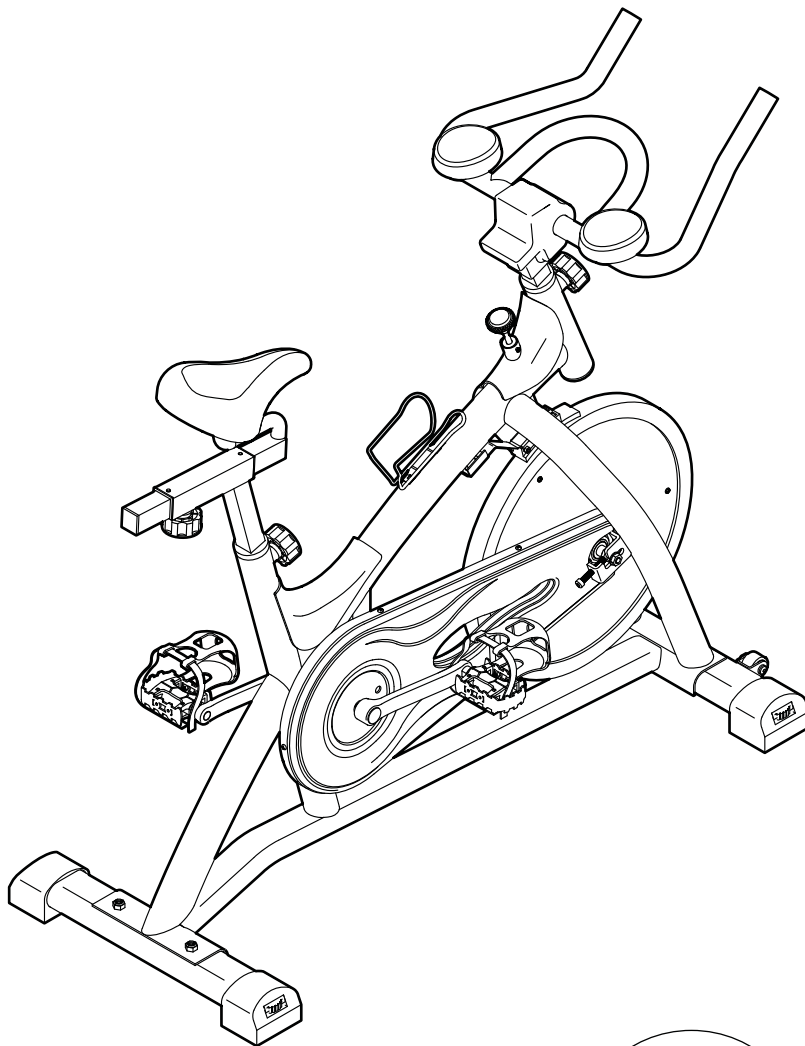
1-866-699-3756

Mon.–Fri. 6 a.m.–6 p.m. MT

Sat. 8 a.m.–4 p.m. MT

ON THE WEB:

www.wesloservice.com



CAUTION

Read all precautions and instructions in this manual before using this equipment. Keep this manual for future reference.



TABLE OF CONTENTS

WARNING DECAL PLACEMENT 2

IMPORTANT PRECAUTIONS..... 3

BEFORE YOU BEGIN..... 4

ASSEMBLY..... 5

HOW TO ADJUST THE EXERCISE BIKE..... 9

MAINTENANCE AND TROUBLESHOOTING..... 11

EXERCISE GUIDELINES..... 12

PART LIST..... 14

EXPLODED DRAWING..... 15

ORDERING REPLACEMENT PARTS Back Cover

LIMITED WARRANTY..... Back Cover

WARNING DECAL PLACEMENT

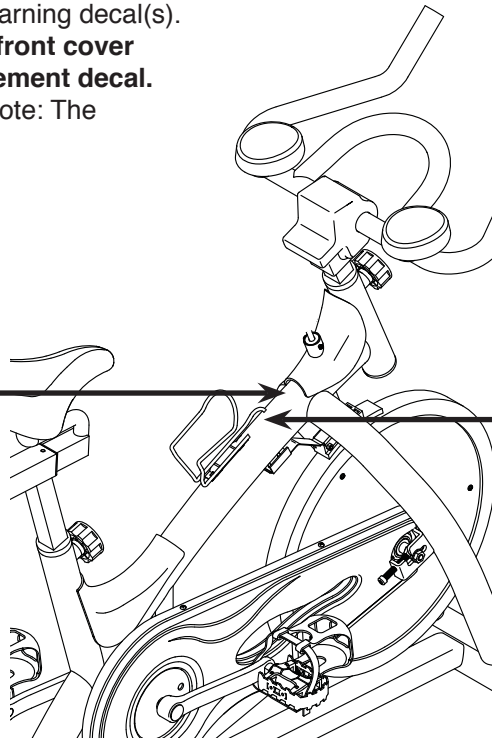
This drawing shows the location(s) of the warning decal(s).
If a decal is missing or illegible, see the front cover of this manual and request a free replacement decal.
Apply the decal in the location shown. Note: The decal(s) may not be shown at actual size.

CAUTION

To stop, reduce your pedal speed in a controlled way.


To stop quickly, use the brake.

Pedals will continue to spin so use caution when slowing and stopping.



WARNING

- Misuse of this machine may result in serious injury.
- Read user's manual prior to use and follow all warnings and instructions.
- Do not allow children on or around machine.
- Pedals continue to spin when you stop pedaling.
- Spinning pedals can cause injury.
- Reduce pedal speed in a controlled manner.
- User weight must not exceed 250 pounds.
- This product should always be used on a level surface.
- This product is not intended for therapeutic use.
- Set the resistance to maximum when the bike is not in use.
- Replace label if damaged, illegible, or removed.



IMPORTANT PRECAUTIONS

⚠️ WARNING: To reduce the risk of serious injury, read all important precautions and instructions in this manual and all warnings on your exercise bike before using your exercise bike. ICON assumes no responsibility for personal injury or property damage sustained by or through the use of this product.

1. Before beginning any exercise program, consult your physician. This is especially important for persons over age 35 or persons with pre-existing health problems.
2. Use the exercise bike only as described in this manual.
3. It is the responsibility of the owner to ensure that all users of the exercise bike are adequately informed of all precautions.
4. The exercise bike is intended for use in a supervised environment only.
5. Keep the exercise bike indoors, away from moisture and dust. Do not put the exercise bike in a garage or covered patio, or near water.
6. Place the exercise bike on a level surface, with a mat beneath it to protect the floor or carpet. Make sure that there is at least 2 ft. (0.6 m) of clearance around the exercise bike.
7. Inspect and properly tighten all parts regularly. Replace any worn parts immediately.
8. Keep children under age 12 and pets away from the exercise bike at all times.
9. Wear appropriate clothes while exercising; do not wear loose clothes that could become caught on the exercise bike. Always wear athletic shoes for foot protection.
10. The exercise bike should not be used by persons weighing more than 250 lbs. (113 kg).
11. Always keep your back straight while using the exercise bike; do not arch your back.
12. The exercise bike does not have a freewheel; the pedals will continue to move until the flywheel stops. Reduce your pedaling speed in a controlled way.
13. To stop the flywheel quickly, press the resistance knob downward.
14. When the exercise bike is not in use, tighten the resistance knob completely to prevent the flywheel from moving.
15. Over exercising may result in serious injury or death. If you feel faint or if you experience pain while exercising, stop immediately and cool down.

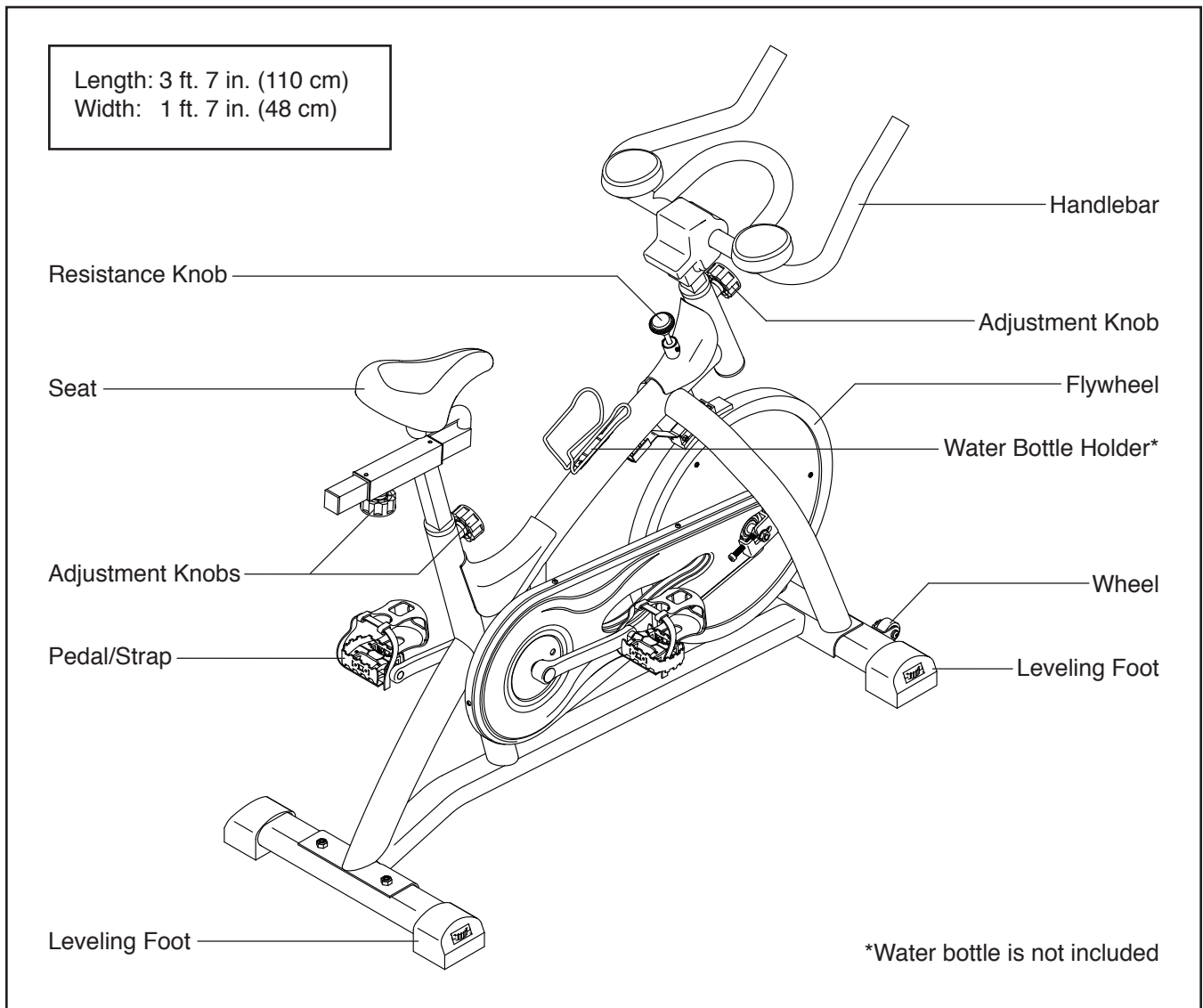
BEFORE YOU BEGIN

Thank you for selecting the new WESLO PRO™ CTX exercise bike. Cycling is an effective exercise for increasing cardiovascular fitness, building endurance, and toning the body. The CTX exercise bike provides a selection of features designed to make your workouts more effective and enjoyable.

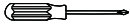

For your benefit, read this manual carefully before you use the exercise bike. If you have questions after

reading this manual, please see the back cover of this manual. To help us assist you, note the product model number and serial number before contacting us. The model number and the location of the serial number decal are shown on the front cover of this manual.

Before reading further, please familiarize yourself with the parts that are labeled in the drawing below.

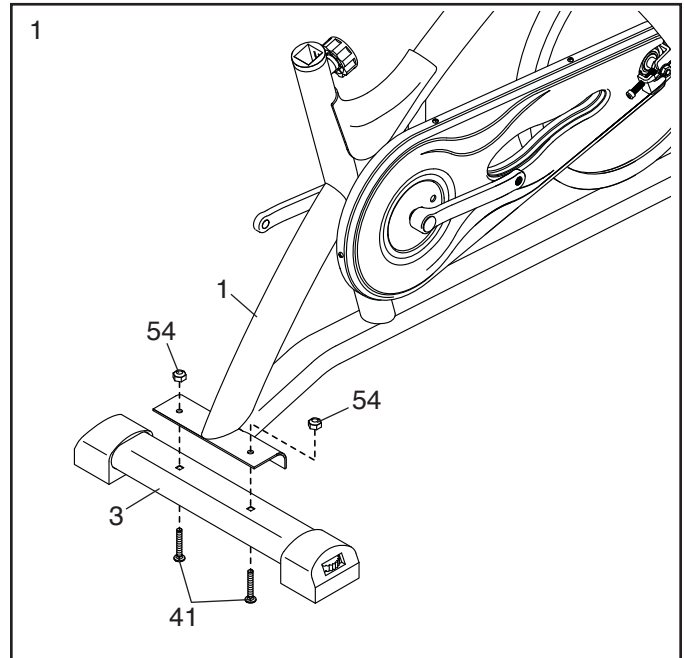


ASSEMBLY

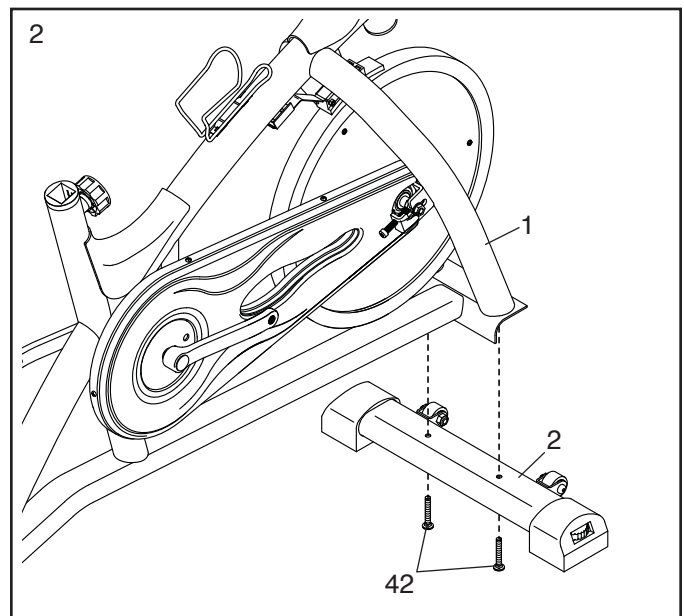
- To hire an authorized service technician to assemble the exercise bike, call 1-800-445-2480.
 - Assembly requires two persons.
 - Place all parts in a cleared area and remove the packing materials. Do not dispose of the packing materials until you complete all assembly steps.
- In addition to the included tool(s), assembly requires the following tools:
 - one Phillips screwdriver 
 - one adjustable wrench 

Assembly may be easier if you have a set of wrenches. To avoid damaging parts, do not use power tools.

1. While another person lifts the rear of the Frame (1), attach the Rear Stabilizer (3) to the Frame with two M8 x 50mm Carriage Bolts (41) and two M8 Locknuts (54).

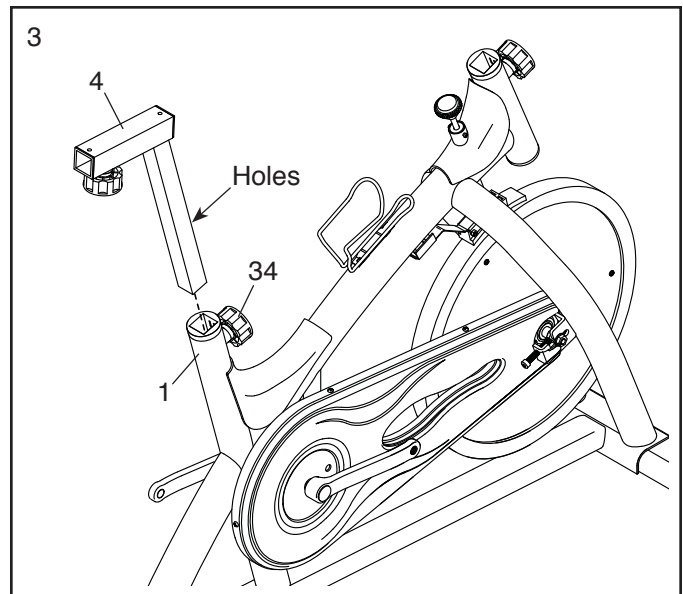


2. While another person lifts the front of the Frame (1), attach the Front Stabilizer (2) to the Frame with two M8 x 45mm Button Screws (42).



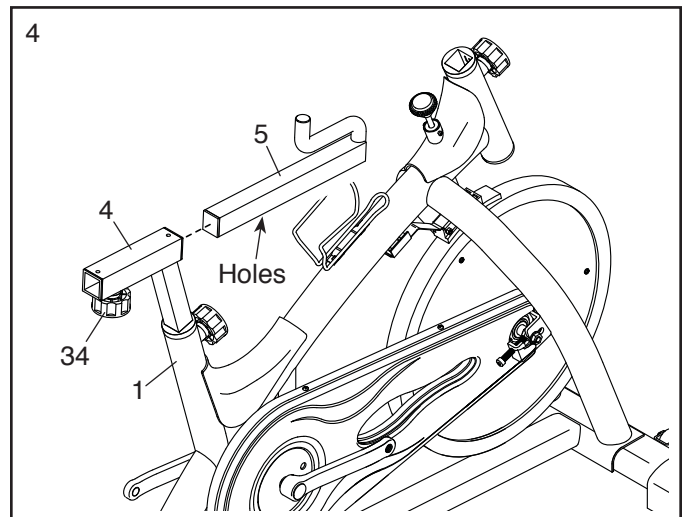
3. Orient the Seat Post (4) as shown.

Loosen the indicated Adjustment Knob (34) and pull it outward. Next, insert the Seat Post (4) into the Frame (1). Move the Seat Post upward or downward to the desired position, and release the Adjustment Knob into a hole in the Seat Post. **Make sure that the Adjustment Knob is engaged in a hole in the Seat Post.** Then, tighten the Adjustment Knob.



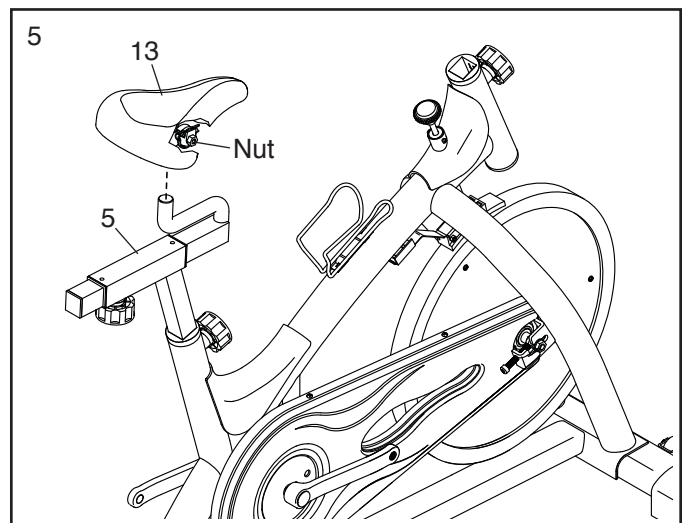
4. Orient the Seat Carriage (5) as shown.

Loosen the indicated Adjustment Knob (34) and pull it downward. Next, insert the Seat Carriage (5) into the Seat Post (4). Slide the Seat Carriage to the desired position, and release the Adjustment Knob into a hole in the Seat Carriage. **Make sure that the Adjustment Knob is engaged in a hole in the Seat Carriage.** Then, tighten the Adjustment Knob.

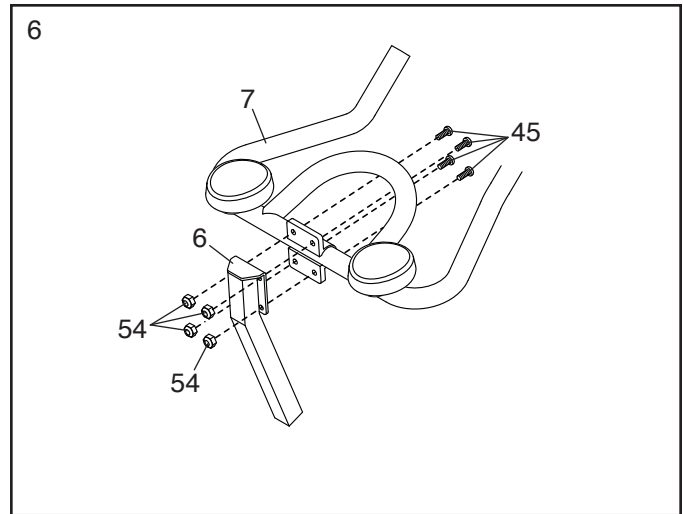


5. Slide the Seat (13) onto the post on top of the Seat Carriage (5).

Make sure that the Seat (13) is pointing straight forward and that the top of the Seat is level. Then, tighten the two nuts (only one nut is shown) beneath the Seat.

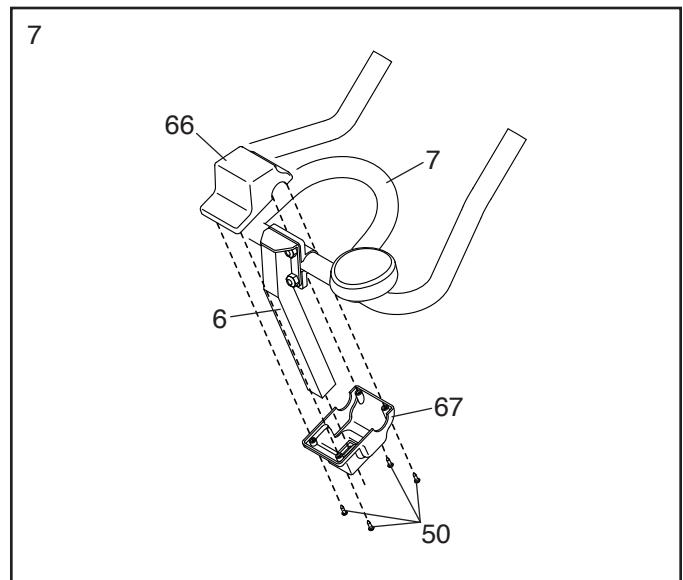


6. Attach the Handlebar (7) to the Handlebar Post (6) with four M8 x 15mm Button Bolts (45) and four M8 Locknuts (54).

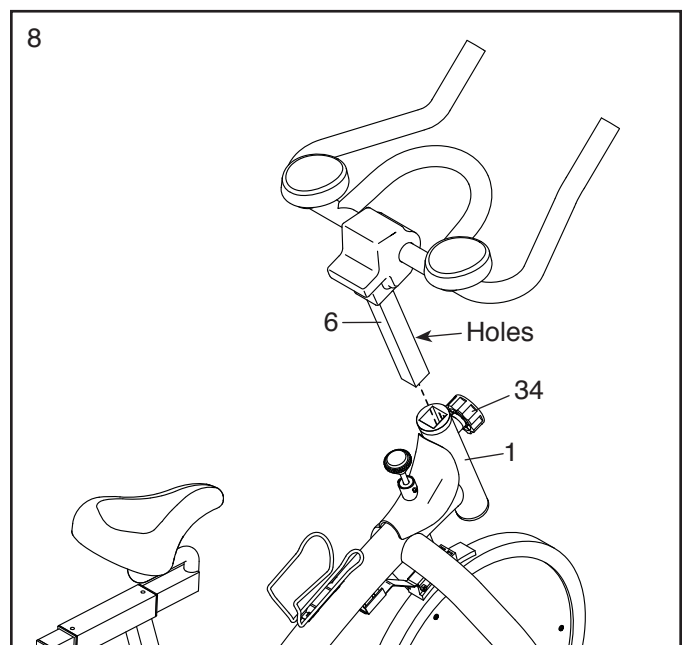


7. Slide the Lower Handlebar Cover (67) upward onto the Handlebar Post (6).

Attach the Lower Handlebar Cover (67) and the Upper Handlebar Cover (66) to the Handlebar Post (6) with four M4 x 15mm Screws (50).



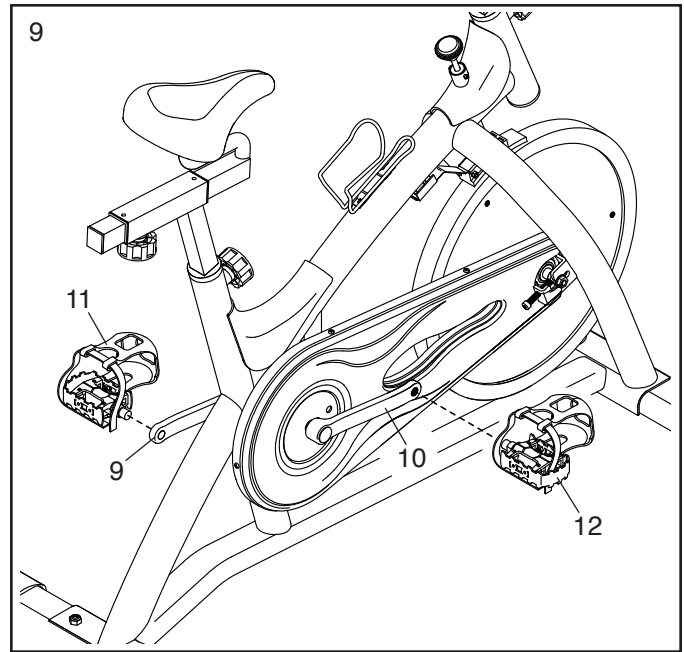
8. Loosen the indicated Adjustment Knob (34) and pull it outward. Next, insert the Handlebar Post (6) into the Frame (1). Move the Handlebar Post upward or downward to the desired position, and release the Adjustment Knob into a hole in the Handlebar Post. **Make sure that the Adjustment Knob is engaged in a hole in the Handlebar Post.** Then, tighten the Adjustment Knob.



9. Identify the Right Pedal (12), which is marked with an “R.”

Using an adjustable wrench, **firmly tighten** the Right Pedal (12) **clockwise** into the Right Crank Arm (10).

Then, **firmly tighten** the Left Pedal (11) **counterclockwise** into the Left Crank Arm (9).

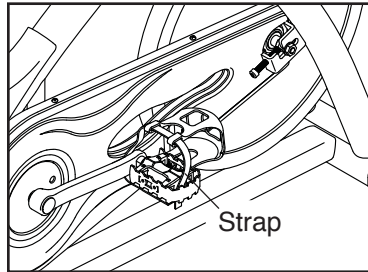


10. **Make sure that all parts are properly tightened before you use the exercise bike.** Note: After assembly is completed, extra parts may be left over.

HOW TO ADJUST THE EXERCISE BIKE

HOW TO ADJUST THE PEDAL STRAPS

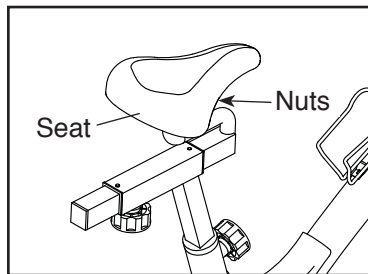
To use the pedals, first insert your shoes into the toe cages. Then, press and hold the tabs on the buckles on the strap, and adjust the straps to the desired position. Then, release the tabs.



HOW TO ADJUST THE SEAT

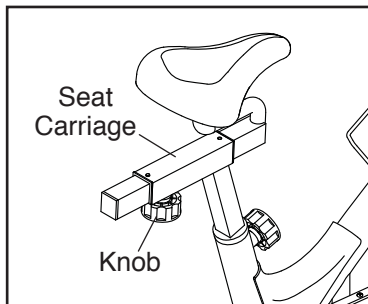
You can adjust the angle of the seat to the position that is most comfortable.

To adjust the seat, first loosen the two nuts beneath the seat a few turns. Next, tilt the seat upward or downward to the desired position. Then, retighten the nuts.



HOW TO ADJUST THE SEAT CARRIAGE

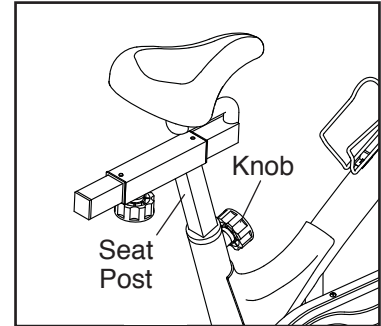
To adjust the position of the seat carriage, first loosen the indicated adjustment knob and pull it downward. Next, move the seat carriage forward or backward to the desired position. Then, release the adjustment knob into a hole in the seat carriage, and firmly tighten the adjustment knob. **Make sure that the adjustment knob is engaged in one of the holes.**



HOW TO ADJUST THE SEAT POST

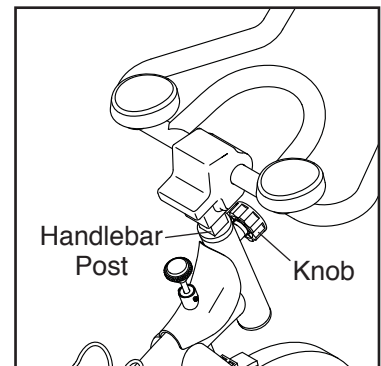
For effective exercise, the seat should be at the proper height. As you pedal, there should be a slight bend in your knees when the pedals are in the lowest position.

To adjust the height of the seat post, first loosen the indicated adjustment knob and pull it outward. Next, move the seat post upward or downward to the desired height. Then, release the adjustment knob into a hole in the seat post, and firmly tighten the adjustment knob. **Make sure that the adjustment knob is engaged in one of the holes. IMPORTANT: Do not raise the seat post beyond the stop line on the seat post.**



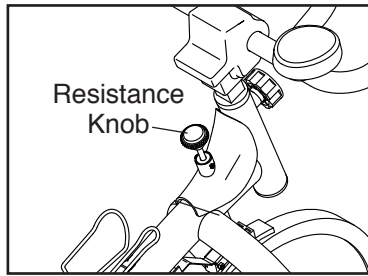
HOW TO ADJUST THE HANDLEBAR POST

To adjust the height of the handlebar post, first loosen the indicated adjustment knob and pull it outward. Next, move the handlebar post upward or downward to the desired height. Then, release the adjustment knob into a hole in the handlebar post, and firmly tighten the adjustment knob. **Make sure that the adjustment knob is engaged in one of the holes. IMPORTANT: Do not raise the handlebar post beyond the stop line on the handlebar post.**



HOW TO ADJUST THE PEDALING RESISTANCE

To increase the resistance of the pedals, turn the resistance knob clockwise; to decrease the resistance, turn the resistance knob counterclockwise.

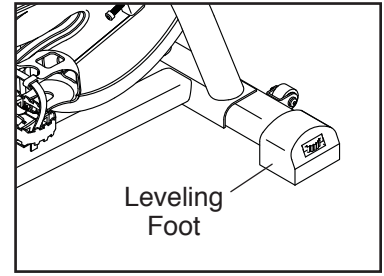


To stop the flywheel, push the resistance knob downward. The flywheel should quickly come to a complete stop.

IMPORTANT: When the exercise bike is not in use, tighten the resistance knob completely.

HOW TO LEVEL THE EXERCISE BIKE

If the exercise bike rocks slightly on your floor during use, adjust one or both of the leveling feet on the front or rear stabilizer until the rocking motion is eliminated.



MAINTENANCE AND TROUBLESHOOTING

HOW TO MAINTAIN THE EXERCISE BIKE

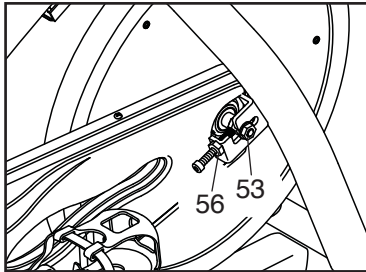
Inspect and tighten all parts of the exercise bike regularly. Replace any worn parts immediately.

To clean the exercise bike, use a damp cloth and a small amount of mild detergent.

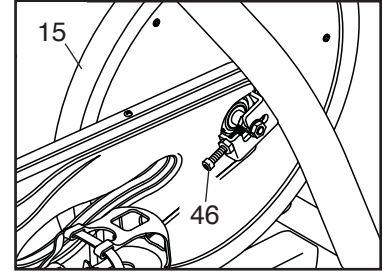
HOW TO ADJUST THE CHAIN

The chain on the exercise bike should be kept properly adjusted. If the chain causes excessive noise or slips as you pedal, the chain should be adjusted.

To tighten the chain, first loosen the M10 Flange Nut (53) on each side of the exercise bike. Next, loosen the M8 Nut (56) on each side of the exercise bike.



To tighten the chain, turn the M8 x 50mm Button Bolt (46) on each side of the exercise bike clockwise; to loosen the chain, turn the Button Bolts counterclockwise.



Make sure that the Flywheel (15) is straight.

See the drawing at the left. When the chain is properly tightened, tighten the M8 Nuts (56). Then, tighten the M10 Flange Nuts (53).

EXERCISE GUIDELINES

⚠️ WARNING: Before beginning this or any exercise program, consult your physician. This is especially important for persons over age 35 or persons with pre-existing health problems.

These guidelines will help you to plan your exercise program. For detailed exercise information, obtain a reputable book or consult your physician. Remember, proper nutrition and adequate rest are essential for successful results.

EXERCISE INTENSITY

Whether your goal is to burn fat or to strengthen your cardiovascular system, exercising at the proper intensity is the key to achieving results. You can use your heart rate as a guide to find the proper intensity level. The chart below shows recommended heart rates for fat burning and aerobic exercise.

| | | | | | | | |
|-------|-----|-----|-----|-----|-----|-----|----|
| 165 | 155 | 145 | 140 | 130 | 125 | 115 | ♥️ |
| 145 | 138 | 130 | 125 | 118 | 110 | 103 | ♥️ |
| 125 | 120 | 115 | 110 | 105 | 95 | 90 | ♥️ |
| <hr/> | | | | | | | |
| 20 | 30 | 40 | 50 | 60 | 70 | 80 | |

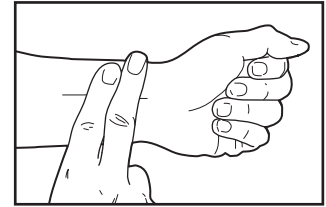
To find the proper intensity level, find your age at the bottom of the chart (ages are rounded off to the nearest ten years). The three numbers listed above your age define your “training zone.” The lowest number is the heart rate for fat burning, the middle number is the heart rate for maximum fat burning, and the highest number is the heart rate for aerobic exercise.

Burning Fat—To burn fat effectively, you must exercise at a low intensity level for a sustained period of time. During the first few minutes of exercise, your body uses carbohydrate calories for energy. Only after the first few minutes of exercise does your body begin to use stored fat calories for energy. If your goal is to burn fat, adjust the intensity of your exercise until your heart rate is near the lowest number in your training zone. For maximum fat burning, exercise with your heart rate near the middle number in your training zone.

Aerobic Exercise—If your goal is to strengthen your cardiovascular system, you must perform aerobic exercise, which is activity that requires large amounts of oxygen for prolonged periods of time. For aerobic exercise, adjust the intensity of your exercise until your heart rate is near the highest number in your training zone.

HOW TO MEASURE YOUR HEART RATE

To measure your heart rate, exercise for at least four minutes. Then, stop exercising and place two fingers on your wrist as shown. Take a six-second heartbeat count, and multiply the result by 10 to find your heart rate. For example, if your six-second heartbeat count is 14, your heart rate is 140 beats per minute.



WORKOUT GUIDELINES

Warming Up—Start with 5 to 10 minutes of stretching and light exercise. A warm-up increases your body temperature, heart rate, and circulation in preparation for exercise.

Training Zone Exercise—Exercise for 20 to 30 minutes with your heart rate in your training zone. (During the first few weeks of your exercise program, do not keep your heart rate in your training zone for longer than 20 minutes.) Breathe regularly and deeply as you exercise—never hold your breath.

Cooling Down—Finish with 5 to 10 minutes of stretching. Stretching increases the flexibility of your muscles and helps to prevent post-exercise problems.

EXERCISE FREQUENCY

To maintain or improve your condition, complete three workouts each week, with at least one day of rest between workouts. After a few months of regular exercise, you may complete up to five workouts each week, if desired. Remember, the key to success is to make exercise a regular and enjoyable part of your everyday life.

SUGGESTED STRETCHES

The correct form for several basic stretches is shown at the right. Move slowly as you stretch—never bounce.

1. Toe Touch Stretch

Stand with your knees bent slightly and slowly bend forward from your hips. Allow your back and shoulders to relax as you reach down toward your toes as far as possible. Hold for 15 counts, then relax. Repeat 3 times. Stretches: Hamstrings, back of knees and back.

2. Hamstring Stretch

Sit with one leg extended. Bring the sole of the opposite foot toward you and rest it against the inner thigh of your extended leg. Reach toward your toes as far as possible. Hold for 15 counts, then relax. Repeat 3 times for each leg. Stretches: Hamstrings, lower back and groin.

3. Calf/Achilles Stretch

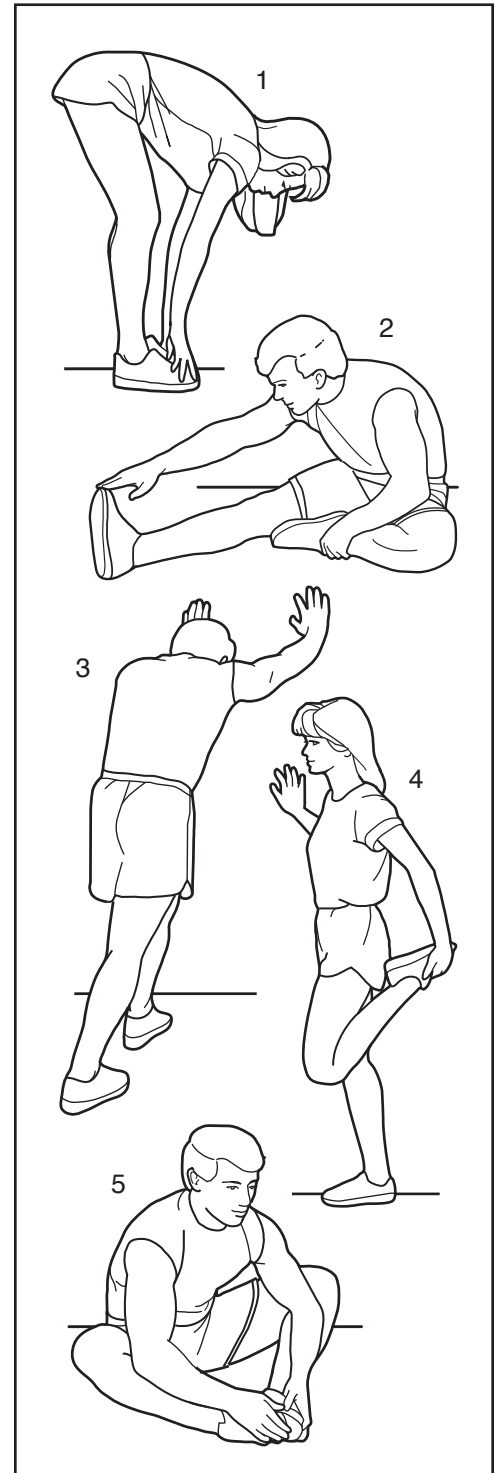
With one leg in front of the other, reach forward and place your hands against a wall. Keep your back leg straight and your back foot flat on the floor. Bend your front leg, lean forward and move your hips toward the wall. Hold for 15 counts, then relax. Repeat 3 times for each leg. To cause further stretching of the achilles tendons, bend your back leg as well. Stretches: Calves, achilles tendons and ankles.

4. Quadriceps Stretch

With one hand against a wall for balance, reach back and grasp one foot with your other hand. Bring your heel as close to your buttocks as possible. Hold for 15 counts, then relax. Repeat 3 times for each leg. Stretches: Quadriceps and hip muscles.

5. Inner Thigh Stretch

Sit with the soles of your feet together and your knees outward. Pull your feet toward your groin area as far as possible. Hold for 15 counts, then relax. Repeat 3 times. Stretches: Quadriceps and hip muscles.



PART LIST

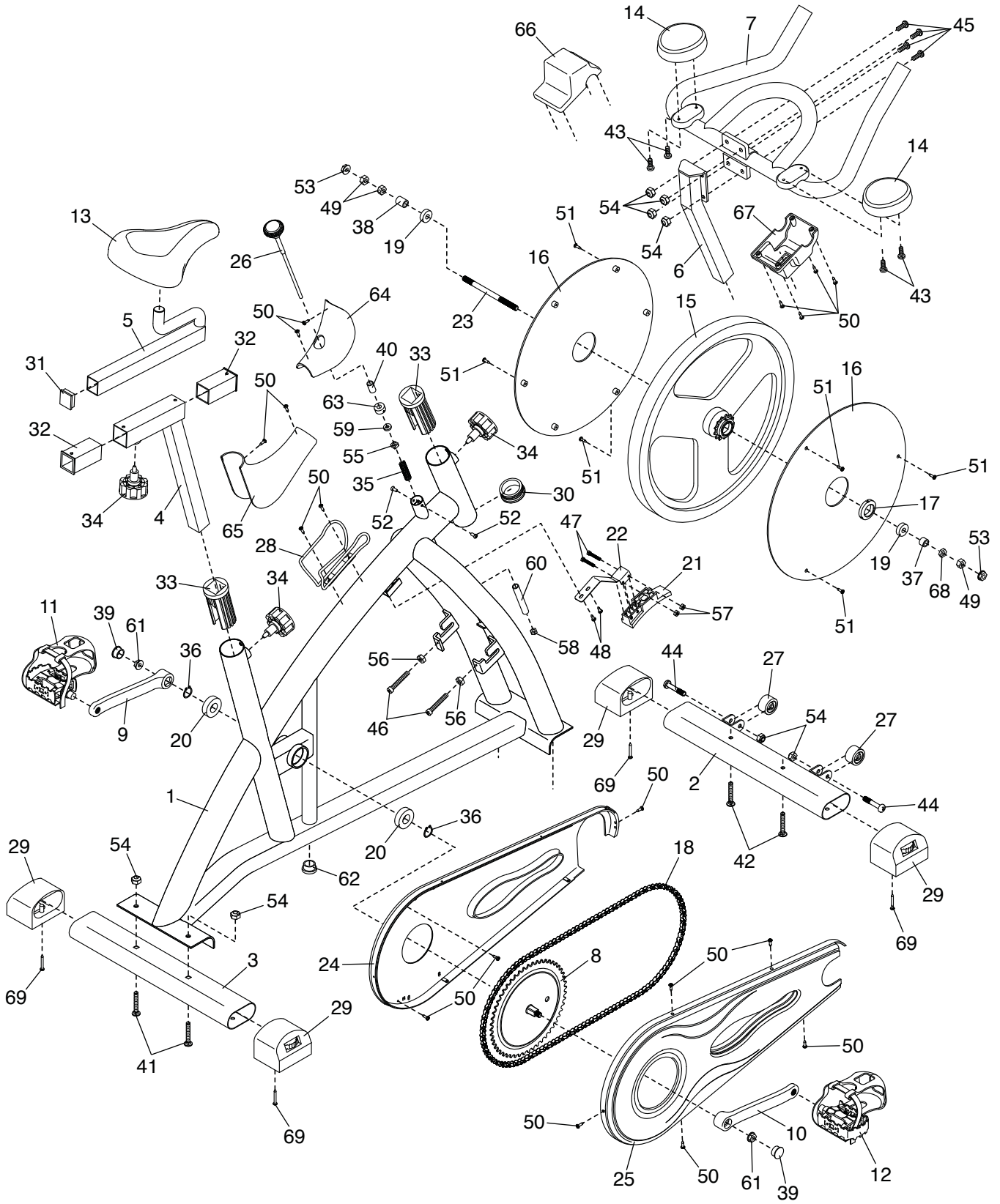
Model No. WLEX32411.0 R0711A

| Key No. | Qty. | Description | Key No. | Qty. | Description |
|---------|------|---------------------|---------|------|-------------------------|
| 1 | 1 | Frame | 36 | 2 | C-clip |
| 2 | 1 | Front Stabilizer | 37 | 1 | 11mm Axle Spacer |
| 3 | 1 | Rear Stabilizer | 38 | 1 | 16mm Axle Spacer |
| 4 | 1 | Seat Post | 39 | 2 | Crank Cap |
| 5 | 1 | Seat Carriage | 40 | 1 | Brake Spacer |
| 6 | 1 | Handlebar Post | 41 | 2 | M8 x 50mm Carriage Bolt |
| 7 | 1 | Handlebar | 42 | 2 | M8 x 45mm Button Screw |
| 8 | 1 | Sprocket | 43 | 4 | M6 x 15mm Button Screw |
| 9 | 1 | Left Crank Arm | 44 | 2 | M8 x 40mm Button Bolt |
| 10 | 1 | Right Crank Arm | 45 | 4 | M8 x 15mm Button Bolt |
| 11 | 1 | Left Pedal | 46 | 2 | M8 x 50mm Button Bolt |
| 12 | 1 | Right Pedal | 47 | 2 | M5 x 30mm Bolt |
| 13 | 1 | Seat | 48 | 2 | M5 x 12mm Screw |
| 14 | 2 | Arm Pad | 49 | 3 | M10 Nut |
| 15 | 1 | Flywheel | 50 | 18 | M4 x 15mm Screw |
| 16 | 2 | Flywheel Cover | 51 | 6 | M4 x 12mm Screw |
| 17 | 1 | 42mm x 6mm Nut | 52 | 2 | M4 x 6mm Screw |
| 18 | 1 | Chain | 53 | 2 | M10 Flange Nut |
| 19 | 2 | Flywheel Bearing | 54 | 8 | M8 Locknut |
| 20 | 2 | Frame Bearing | 55 | 1 | M8 Square Nut |
| 21 | 1 | Brake Pad | 56 | 2 | M8 Nut |
| 22 | 1 | Brake Plate | 57 | 2 | M5 Locknut |
| 23 | 1 | Flywheel Axle | 58 | 1 | M6 Locknut |
| 24 | 1 | Left Chain Cover | 59 | 1 | M8 Washer |
| 25 | 1 | Right Chain Cover | 60 | 1 | 45mm Spacer |
| 26 | 1 | Resistance Knob | 61 | 2 | M10 Flange Jam Nut |
| 27 | 2 | Wheel | 62 | 1 | Frame Cap |
| 28 | 1 | Water Bottle Holder | 63 | 1 | Brake Bushing |
| 29 | 4 | Leveling Cap | 64 | 1 | Front Frame Cover |
| 30 | 1 | Frame Bushing | 65 | 1 | Rear Frame Cover |
| 31 | 1 | Carriage Cap | 66 | 1 | Upper Handlebar Cover |
| 32 | 2 | Seat Post Sleeve | 67 | 1 | Lower Handlebar Cover |
| 33 | 2 | Frame Sleeve | 68 | 1 | M10 Jam Nut |
| 34 | 3 | Adjustment Knob | 69 | 4 | M4 x 15mm Screw |
| 35 | 1 | Spring | * | – | User's Manual |

Note: Specifications are subject to change without notice. For information about ordering replacement parts, see the back cover of this manual. *These parts are not illustrated.

EXPLODED DRAWING

Model No. WLEX32411.0 R0711A



ORDERING REPLACEMENT PARTS

To order replacement parts, please see the front cover of this manual. To help us assist you, be prepared to provide the following information when contacting us:

- the model number and serial number of the product (see the front cover of this manual)
- the name of the product (see the front cover of this manual)
- the key number and description of the replacement part(s) (see the PART LIST and the EXPLODED DRAWING near the end of this manual)

LIMITED WARRANTY

IMPORTANT: You must register this product within 30 days of the purchase date to avoid added fees for service needed under warranty. Go to www.wesloservice.com/registration.

ICON Health & Fitness, Inc. (ICON) warrants this product to be free from defects in workmanship and material, under normal use and service conditions. The frame is warranted for three (3) years from the date of purchase. Parts and labor are warranted for ninety (90) days from the date of purchase.

This warranty extends only to the original purchaser (customer). ICON's obligation under this warranty is limited to repairing or replacing, at ICON's option, the product through one of its authorized service centers. All repairs for which warranty claims are made must be preauthorized by ICON. If the product is shipped to a service center, freight charges to and from the service center will be the customer's responsibility. If replacement parts are shipped while the product is under warranty, the customer will be responsible for a minimal handling charge. For in-home service, the customer will be responsible for a minimal trip charge. This warranty does not extend to freight damage to the product. This warranty will automatically be voided if the product is used as a store display model, if the product is purchased or transported outside the USA, if all instructions in this manual are not followed, if the product is abused or improperly or abnormally used, or if the product is used for commercial or rental purposes. No other warranty beyond that specifically set forth above is authorized by ICON.

ICON is not responsible or liable for indirect, special, or consequential damages arising out of or in connection with the use or performance of the product; damages with respect to any economic loss, loss of property, loss of revenues or profits, loss of enjoyment or use, or costs of removal or installation; or other consequential damages of any kind. Some states do not allow the exclusion or limitation of incidental or consequential damages. Accordingly, the above limitation may not apply to the customer.

The warranty extended hereunder is in lieu of any and all other warranties, and any implied warranties of merchantability or fitness for a particular purpose are limited in their scope and duration to the terms set forth herein. Some states do not allow limitations on how long an implied warranty lasts. Accordingly, the above limitation may not apply to the customer.

This warranty provides specific legal rights; the customer may have other rights that vary from state to state.

ICON Health & Fitness, Inc., 1500 S. 1000 W., Logan, UT 84321-9813