

WESLO

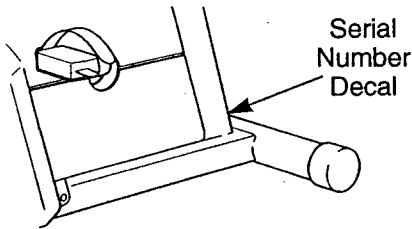
# PURSUIT 895i

MOTIVATIONAL TRACK SIMULATOR

Model No. WLEX32680

Serial No. \_\_\_\_\_

Write the serial number in the space above for future reference.



## QUESTIONS?

As a manufacturer, we are committed to providing complete customer satisfaction. If you have questions, or if there are missing or damaged parts, we will guarantee complete satisfaction through direct assistance from our factory.

TO AVOID UNNECESSARY DELAYS, PLEASE CALL DIRECT TO OUR TOLL-FREE CUSTOMER HOT LINE. The trained technicians on our customer hot line will provide immediate assistance, free of charge to you.

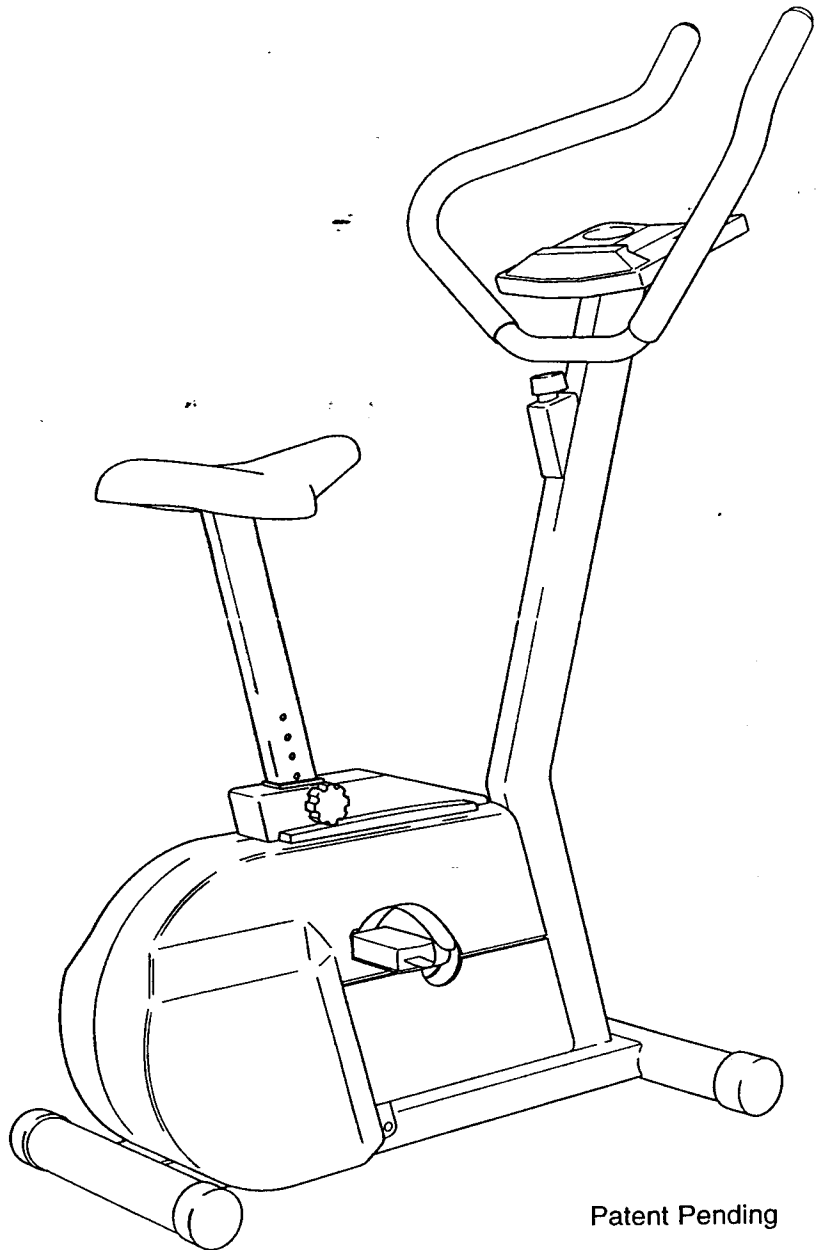
CUSTOMER HOT LINE:

**1-800-999-3756**

Mon.-Fri., 6 a.m.-6 p.m. MST

## CAUTION

Read all precautions and instructions in this manual before using this equipment. Keep this manual for future reference.



Patent Pending

# USER'S MANUAL

WESLO **PURSUIT**895i  
MOTIVATIONAL TRACK SIMULATOR

---

## TABLE OF CONTENTS

IMPORTANT PRECAUTIONS .....	.3
BEFORE YOU BEGIN .....	.4
PART IDENTIFICATION CHART .....	.5
ASSEMBLY .....	.6
HOW TO USE THE PURSUIT 895i .....	.8
CONDITIONING GUIDELINES .....	.10
MAINTENANCE AND TROUBLE-SHOOTING .....	.12
PART LIST .....	.14
EXPLODED DRAWING .....	.15
HOW TO ORDER REPLACEMENT PARTS .....	Back Cover
LIMITED WARRANTY .....	Back Cover

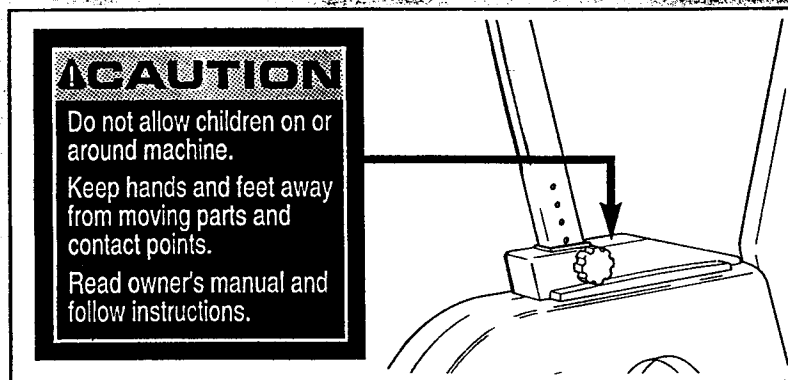
# IMPORTANT PRECAUTIONS

**WARNING:** To reduce the risk of serious injury, read the following important precautions before using the exercise cycle.

1. Read all instructions in this manual before using the exercise cycle. Use the exercise cycle only as described.
2. It is the responsibility of the owner to ensure that all users of the exercise cycle are adequately informed of all precautions.
3. Use the exercise cycle indoors, away from moisture and dust. Place the exercise cycle on a level surface, with a mat beneath it to protect the floor or carpet from damage.
4. Inspect and tighten all parts regularly. Replace any worn parts immediately.
5. Keep children under the age of 12 and pets away from the exercise cycle at all times.
6. The exercise cycle should not be used by persons weighing more than 250 pounds.
7. Wear appropriate clothing when exercising; do not wear loose clothing that could become caught on the exercise cycle. Always wear athletic shoes for foot protection.
8. When adjusting the seat, insert the seat knob through one of the holes in the seat post (see the drawing on page 4). Do not insert the seat knob under the seat post.
9. Always keep your back straight when using the exercise cycle. Do not arch your back.
10. If you feel pain or dizziness at any time while exercising, stop immediately and begin cooling down.
11. The exercise cycle is intended for in-home use only. Do not use the exercise cycle in a commercial, rental, or institutional setting.

**WARNING:** Before beginning this or any exercise program, consult your physician. This is especially important for persons over the age of 35 or persons with pre-existing health problems. Read all instructions before using. ICON assumes no responsibility for personal injury or property damage sustained by or through the use of this product.

The decal shown at the right has been placed on the exercise cycle. If the decal is missing, or if it is not legible, please call our Customer Service Department toll-free at 1-800-999-3756 to order a free replacement decal. Apply the replacement decal in the location shown.



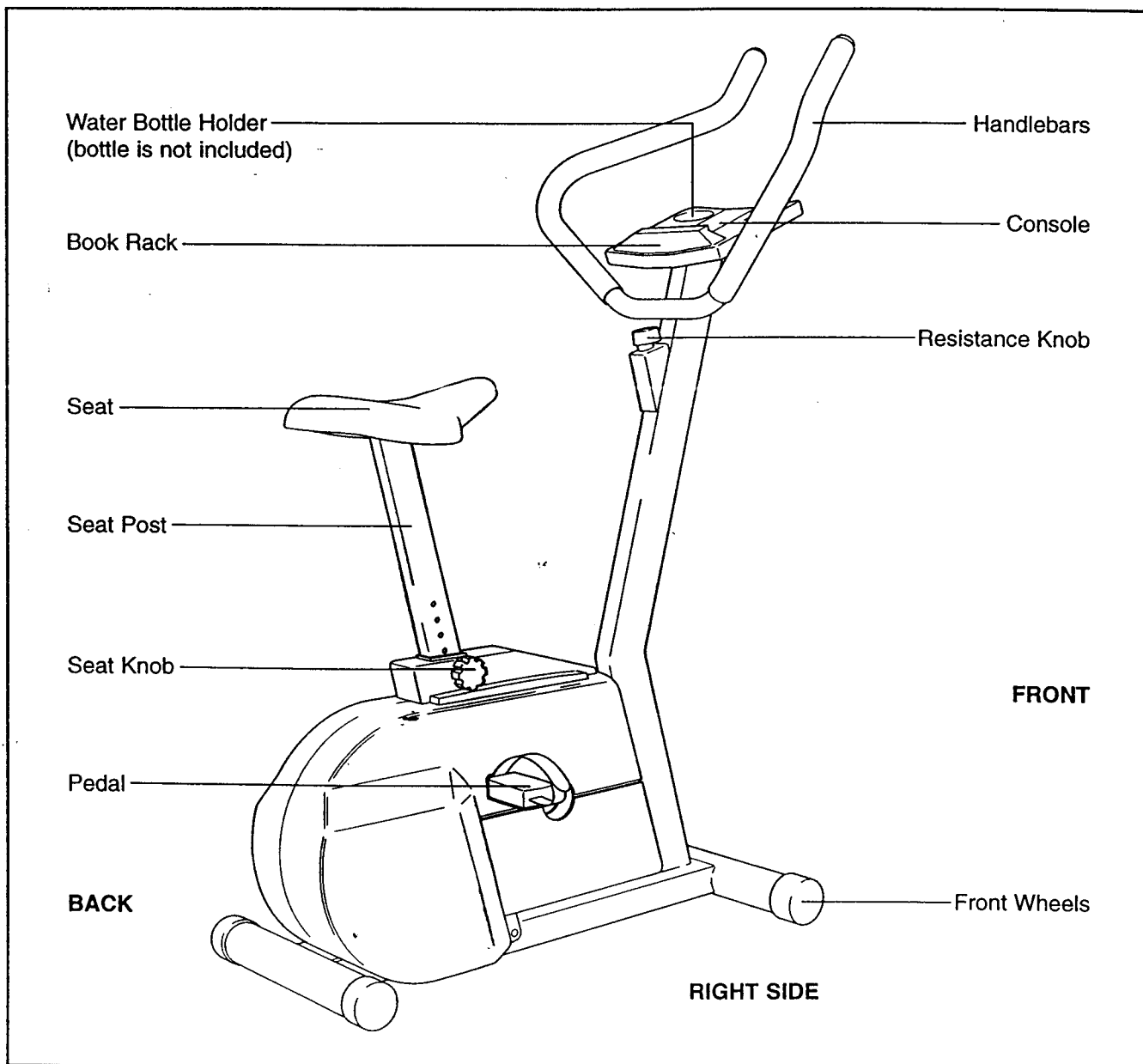
# BEFORE YOU BEGIN

Thank you for selecting the new WESLO PURSUIT® 895i exercise cycle. The PURSUIT 895i blends advanced engineering with contemporary styling to provide you with a low-impact workout in the convenience and privacy of your own home.

**For your benefit, read this manual carefully before you use the PURSUIT 895i.** If you have questions after reading the manual, please call our Customer Service Department toll-free at 1-800-999-3756, Monday through Friday, 6 a.m. until 6 p.m. Mountain

Time (excluding holidays). To help us assist you, please mention the product model number and serial number when calling. The model number is WLEX32680. The serial number can be found on a decal attached to the PURSUIT 895i (see the front cover of this manual for the location of the decal).

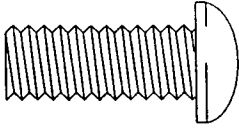
Before reading further, please look at the drawing below and familiarize yourself with the parts that are labeled.



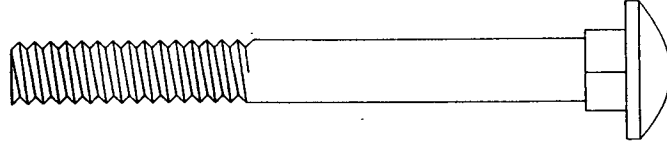
# PART IDENTIFICATION CHART

Use the chart below for help identifying the small parts used in assembly. The number in parenthesis below each part refers to the key number of the part. The second number refers to the quantity used in

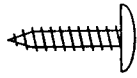
assembly. **Note: Some parts may have been pre-attached for shipping purposes. If a part is not found in the parts bag, check to see if it has been pre-attached.**



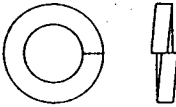
M10 x 25mm Button Screw (8)–5



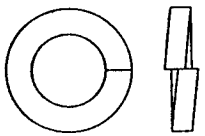
M8 x 80mm Carriage Bolt (30)–4



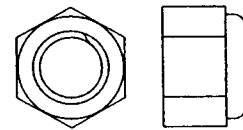
M4 x 16mm Screw (4)–4



M8 Split Washer (53)–4



M10 Split Washer (63)–5



M8 Nylon Locknut (21)–8

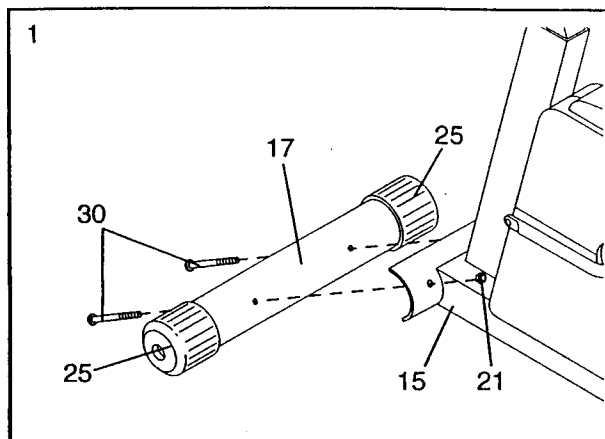
# ASSEMBLY

Place all parts of the PURSUIT 895i in a cleared area and remove the packing materials. **Do not dispose of the packing materials until assembly is completed.**

Assembly requires the included allen wrench  , a phillips screwdriver  and two adjustable wrenches  .

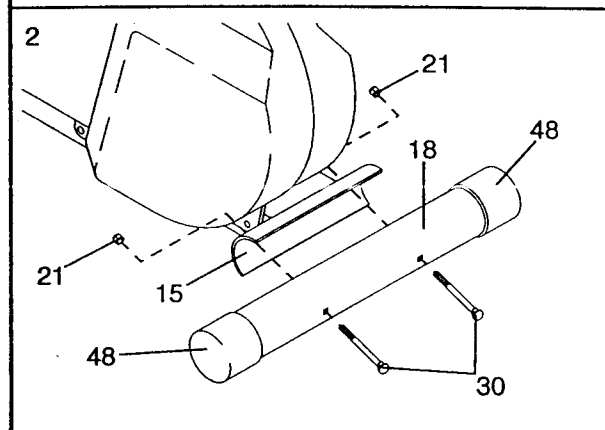
1. Identify the Front Stabilizer (17), which has Wheels (25) on the ends.

Hold the Front Stabilizer (17) against the saddle on the front of the Frame (15). Make sure that the Front Stabilizer is turned so the square holes are facing away from the saddle. Attach the Front Stabilizer with two M8 x 80mm Carriage Bolts (30) and two M8 Nylon Locknuts (21).



2. Make sure that there is a Stabilizer Endcap (48) on each end of the Rear Stabilizer (18).

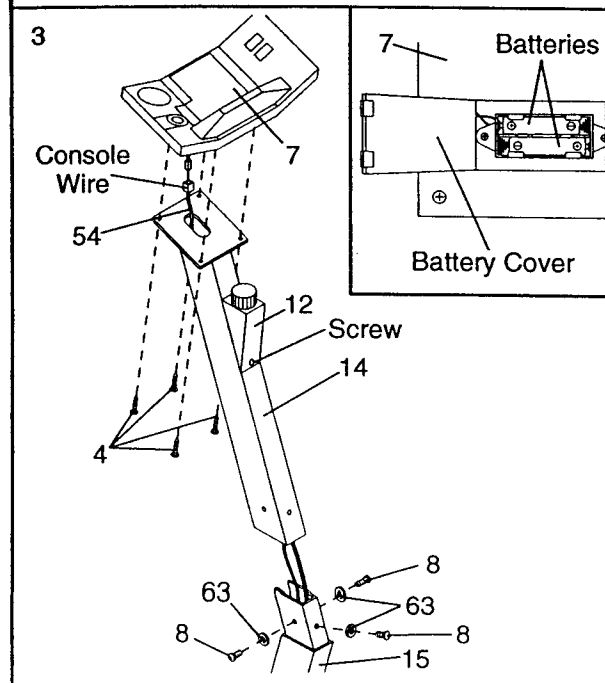
Hold the Rear Stabilizer (18) against the saddle on the rear of the Frame (15). Make sure that the Rear Stabilizer is turned so the square holes are facing away from the saddle. Attach the Rear Stabilizer with two M8 x 80mm Carriage Bolts (30) and two M8 Nylon Locknuts (21).



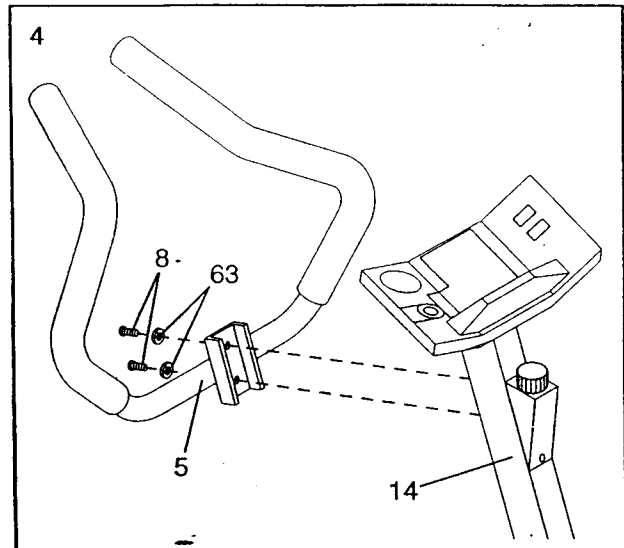
3. Carefully slide the Handlebar Post (14) into the Frame (15). **Be careful to avoid pinching the wires inside the Handlebar Post.** Attach the Handlebar Post with three M10 x 25mm Button Screws (8) and three M10 Split Washers (63). Attach the Knob Housing (12) to the Handlebar Post with a screw.

The Console (7) requires two "AA" batteries (not included). Alkaline batteries are recommended. Refer to the inset drawing. Open the battery cover on the underside of the Console as shown. Press two batteries into the battery compartment. **Make sure that the negative ends of the batteries (marked "-") are touching the springs in the battery compartment. Close the battery cover.**

Connect the console wire to the Reed Switch Wire (54). Insert the Reed Switch Wire into the Handlebar Post (14). Attach the Console (7) to the Handlebar Post with four M4 x 16mm Screws (4).

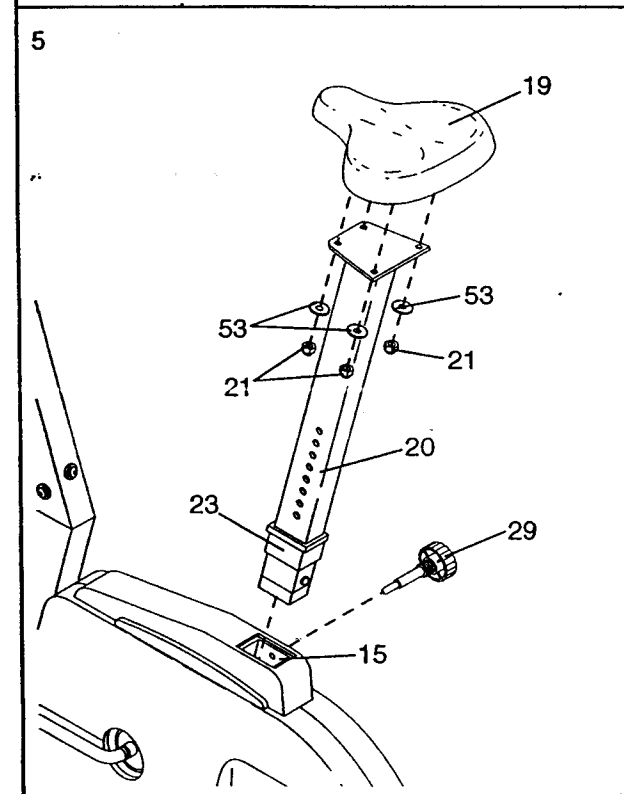


4. Attach the Handlebar (5) to the Handlebar Post (14) with two M10 x 25mm Button Screws (8) and two M10 Split Washers (63).



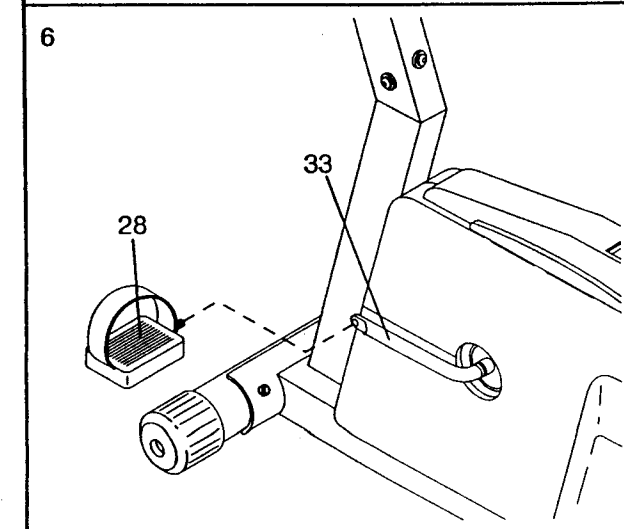
5. Insert the Seat Post (20) into the Frame (15). Make sure that the Seat Post Bushing (23) is seated fully into the Frame. Align one of the holes in the Seat Post with the hole in the Frame. Insert the Seat Knob (29) into the Frame and the Seat Post, and tighten the Seat Knob into the Frame. **Make sure to insert the Seat Knob through one of the holes in the Seat Post; do not insert the Seat Knob under the Seat Post.**

Attach the Seat (19) to the Seat Post (20) with four M8 Nylon Locknuts (21) and four M8 Split Washers (53). (Note: The Nylon Locknuts and Split Washers may be pre-attached to the bottom of the Seat.)



6. Identify the Left Pedal (28); there is an "L" on the Left Pedal for identification. Using an adjustable wrench, tighten the Left Pedal *counterclockwise* into the left arm of the Crank (33).

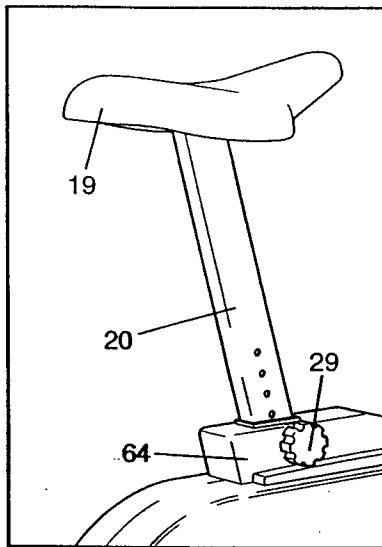
Tighten the Right Pedal (not shown) *clockwise* into the right arm of the Crank (33).



# HOW TO USE THE PURSUIT 895i

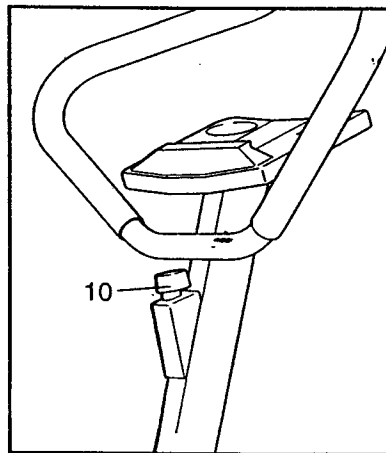
## HOW TO ADJUST THE SEAT

For effective exercise, the Seat (19) should be at the proper height. As you pedal, there should be a slight bend in your knees when the pedals are in the lowest position. To adjust the Seat, first hold the Seat and unscrew the Seat Knob (29). Align one of the holes in the Seat Post (20) with the hole in the Side Shield Cover (64). Insert the Seat Knob into the frame and the Seat Post, and tighten the Seat Knob into the frame. **Caution: Make sure to insert the Seat Knob through one of the holes in the Seat Post; do not insert the Seat Knob under the Seat Post.**



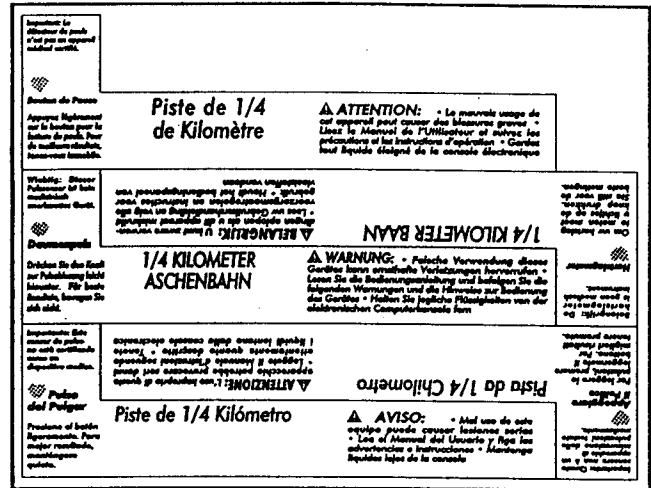
## HOW TO ADJUST THE PEDALING RESISTANCE

To vary the intensity of your exercise, the pedaling resistance can be adjusted. The resistance is controlled with the Resistance Knob (10). To increase the resistance, turn the Resistance Knob clockwise; to decrease the resistance, turn the Resistance Knob counterclockwise.

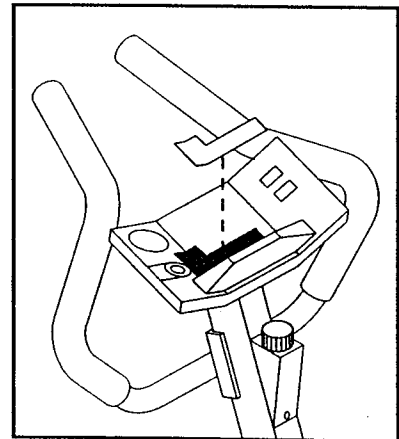


## HOW TO APPLY AN INFORMATION DECAL TO THE CONSOLE

All of the information on the console is printed in English. The included decal sheet contains the same information in five other languages. If English is not your language, find the decal on the decal sheet that is printed in your language.



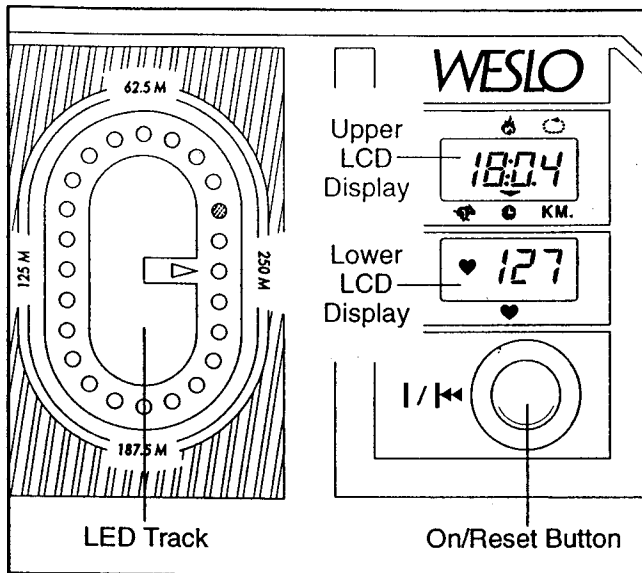
Next, peel the appropriate decal off the decal sheet. Apply the decal to the console in the location shown.



## BATTERY INSTALLATION

Before the console can be operated, two "AA" batteries must be installed. If you have not installed batteries, see assembly step 3 on page 6.

## DIAGRAM OF THE CONSOLE



The console is designed to help you get the most from your workouts. As you exercise, you can watch your progress around the LED “track” in the center of the console. The upper LCD display will show how many calories you have burned, the number of laps you have completed, your current speed, the elapsed time, and the distance you have pedaled. The lower LCD display will show your heart rate when the pulse sensor is used. The modes of the two LCD displays are described below.



**Calories**—This mode displays the approximate number of calories you have burned.



**Laps**—This mode displays the total number of 1/4-kilometer laps you have completed.



**Speed**—This mode displays your pedaling speed, in kilometers per hour.



**Time**—This mode displays the length of time you have exercised.



**Distance**—This mode displays the total number of kilometers you have pedaled during your workout.



**Pulse**—This mode displays your heart rate when the pulse sensor is used.

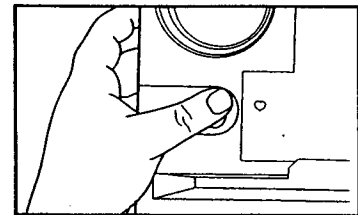
## HOW TO OPERATE THE CONSOLE

1. To turn on the power, press the on/reset button or simply begin pedaling. After two seconds, the console will be ready for operation.

2. When the power is turned on, the upper LCD display will begin displaying the Calories, Laps, Speed, Time, and Distance modes. Each mode will be displayed for five seconds in a repeating cycle. Flashing arrows in the display will show which mode is currently displayed.

3. The LED track represents a distance of 1/4 kilometer. As you exercise, the indicators around the track will light one at a time until you have completed 1/4 kilometer. A new lap will then begin.

4. To measure your pulse, stop pedaling and place your thumb on the pulse sensor as shown. The pulse sensor is



pressure-activated—fully press down the pulse sensor. **Do not press too hard, or the circulation in your thumb will be restricted, and your pulse will not be detected.** Next, slightly raise your thumb until the heart-shaped indicator in the lower LCD display flashes **steadily**. Hold your thumb at this level. After 5 to 10 seconds, three dashes will appear in the display and your pulse will be shown. Hold your thumb on the sensor for another 15 seconds for the most accurate reading. If the displayed pulse appears to be too high or too low, or if your pulse is not displayed, lift your thumb off the sensor and allow the display to reset. Press down again on the sensor as described above.

Make sure that your thumb is positioned as shown, and that you are applying the proper amount of pressure to the pulse sensor. Try the sensor several times until you become familiar with it.

5. To reset the upper LCD display, press the on/reset button.

6. **To turn off the power, simply wait for about six minutes.** Note: The console has an “auto-off” feature. If the pedals are not moved and the console buttons are not pressed for six minutes, the power will turn off automatically in order to conserve the batteries.

# CONDITIONING GUIDELINES

The following guidelines will help you to plan your exercise program. Remember that proper nutrition and adequate rest are essential for successful results.

**WARNING: Before beginning this or any exercise program, consult your physician. This is especially important for persons over the age of 35 or persons with pre-existing health problems.**

## EXERCISE INTENSITY

Whether your goal is to burn fat or to strengthen your cardiovascular system, the key to achieving the desired results is to exercise with the proper intensity. The proper intensity level can be found by using your heart rate as a guide. The chart below shows recommended heart rates for fat burning, maximum fat burning, and cardiovascular (aerobic) exercise.

HEART RATE TRAINING ZONES				
AGE	MIN BPM		MAX BPM	
	Fat Burn	Max Burn	Aerobic	
20	125	145	165	
30	120	138	155	
40	115	130	145	
50	110	125	140	
60	105	118	130	
70	95	110	125	
80	90	103	115	

To find the proper heart rate for you, first find your age on the left side of the chart (ages are rounded off to the nearest ten years). Next, find the three numbers to the right of your age. The three numbers are your "training zone." The lowest number is the recommended heart rate for fat burning; the middle number is the recommended heart rate for maximum fat burning; the highest number is the recommended heart rate for aerobic exercise.

To measure your heart rate, first exercise for at least four minutes. Then, stop pedaling and measure your heart rate using the pulse sensor on the console.

## Burning Fat

To burn fat effectively, you must exercise at a relatively low intensity level for a sustained period of time. During the first few minutes of exercise, your body uses easily accessible *carbohydrate* calories for energy. Only after the first few minutes of exercise does your body begin to use stored *fat* calories for energy. If your goal is to burn fat, adjust the intensity of your exercise until your heart rate is near the lowest number in your training zone as you exercise.

For maximum fat burning, adjust the intensity of your exercise until your heart rate is near the middle number in your training zone as you exercise.

## Aerobic Exercise

If your goal is to strengthen your cardiovascular system, your exercise must be "aerobic." Aerobic exercise is activity that requires large amounts of oxygen for prolonged periods of time. This increases the demand on the heart to pump blood to the muscles, and on the lungs to oxygenate the blood. For aerobic exercise, adjust the intensity of your exercise until your heart rate is near the highest number in your training zone.

## WORKOUT GUIDELINES

Each workout should include the following three parts:

**A warm-up**, consisting of 5 to 10 minutes of stretching and light exercise. (See page 11.) A proper warm-up increases your body temperature, heart rate, and circulation in preparation for exercise.

**Training zone exercise**, consisting of 20 to 30 minutes of exercising with your heart rate in your training zone. (During the first few weeks of your exercise program, do not keep your heart rate in your training zone for longer than 20 minutes.)

**A cool-down**, with 5 to 10 minutes of stretching. This will increase the flexibility of your muscles and will help to prevent post-exercise problems.

## EXERCISE FREQUENCY

To maintain or improve your condition, plan three workouts each week, with at least one day of rest between workouts. After a few months of regular exercise, you may complete up to five workouts each week, if

desired. **Caution: Be sure to progress at your own pace and avoid overdoing it. Incorrect or excessive training may result in injury to your health.**

Remember, the key to success is make exercise a regular and enjoyable part of your everyday life.

## SUGGESTED STRETCHES

The correct form for several basic stretches is shown at the right. Move slowly as you stretch—never bounce.

### 1. Toe Touch Stretch

Stand with your knees bent slightly and slowly bend forward from your hips. Allow your back and shoulders to relax as you reach down toward your toes as far as possible. Hold for 15 counts, then relax. Repeat 3 times. Stretches: Hamstrings, back of knees and back.

### 2. Hamstring Stretch

Sit with one leg extended. Bring the sole of the opposite foot toward you and rest it against the inner thigh of your extended leg. Reach toward your toes as far as possible. Hold for 15 counts, then relax. Repeat 3 times for each leg. Stretches: Hamstrings, lower back and groin.

### 3. Calf/Achilles Stretch

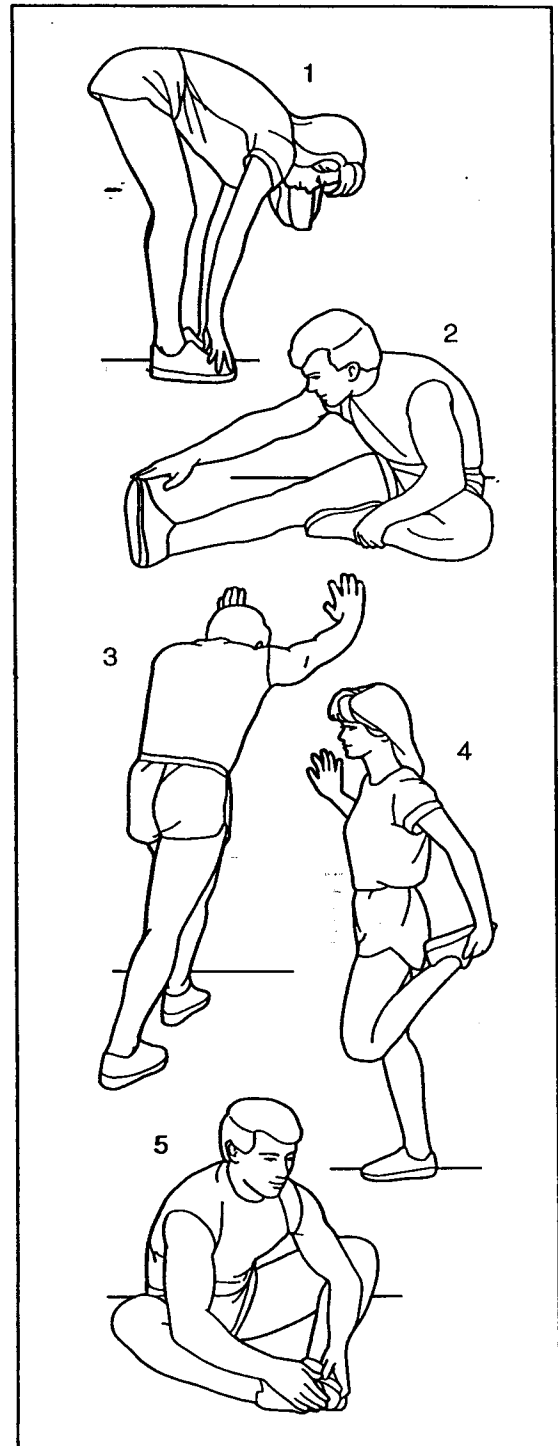
With one leg in front of the other, reach forward and place your hands against a wall. Keep your back leg straight and your back foot flat on the floor. Bend your front leg, lean forward and move your hips toward the wall. Hold for 15 counts, then relax. Repeat 3 times for each leg. To cause further stretching of the achilles tendons, bend your back leg as well. Stretches: Calves, achilles tendons and ankles.

### 4. Quadriceps Stretch

With one hand against a wall for balance, reach back and grasp one foot with your other hand. Bring your heel as close to your buttocks as possible. Hold for 15 counts, then relax. Repeat 3 times for each leg. Stretches: Quadriceps and hip muscles.

### 5. Inner Thigh Stretch

Sit with the soles of your feet together and your knees outward. Pull your feet toward your groin area as far as possible. Hold for 15 counts, then relax. Repeat 3 times. Stretches: Quadriceps and hip muscles.



# MAINTENANCE AND TROUBLE-SHOOTING

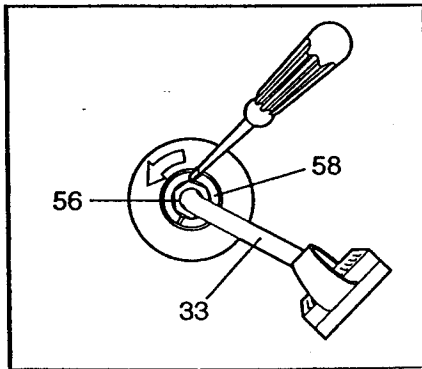
Inspect and tighten all parts of the exercise cycle regularly. Replace any worn parts immediately.

The exercise cycle can be cleaned with a soft, damp cloth. Avoid spilling liquid on the console. Keep the console out of direct sunlight or the display may be damaged. Remove the batteries when storing the exercise cycle.

## HOW TO TIGHTEN THE CRANK

If the arms of the Crank (33) become loose, they should be tightened in order to prevent excessive wear. Loosen

the Crank Nut (56) on the left arm of the Crank. Place the end of a standard screwdriver in one of the slots in the Slotted Crank Nut (58).



Lightly tap the screwdriver

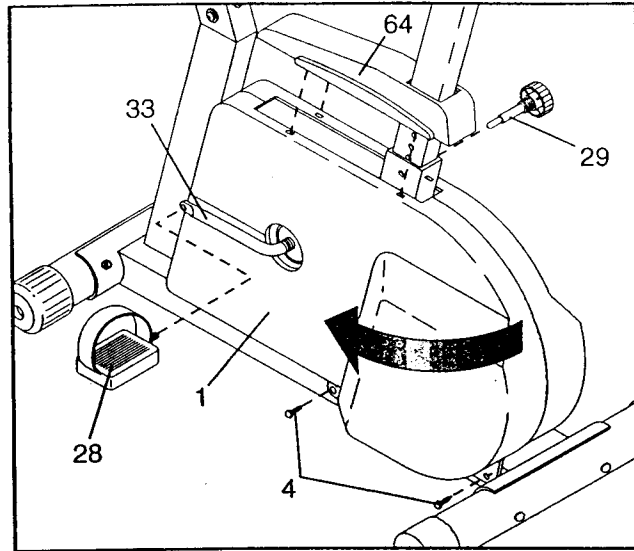
with a hammer to turn the Slotted Crank Nut counter-clockwise until the arms are no longer loose. **Do not overtighten the Slotted Crank Nut.** When the Slotted Crank Nut is properly tightened, retighten the Crank Nut.

## BATTERY REPLACEMENT

If the console does not function properly, the batteries should be replaced. To replace the batteries, see assembly step 3 on page 6. In addition, make sure that the console wire is connected to the reed switch wire.

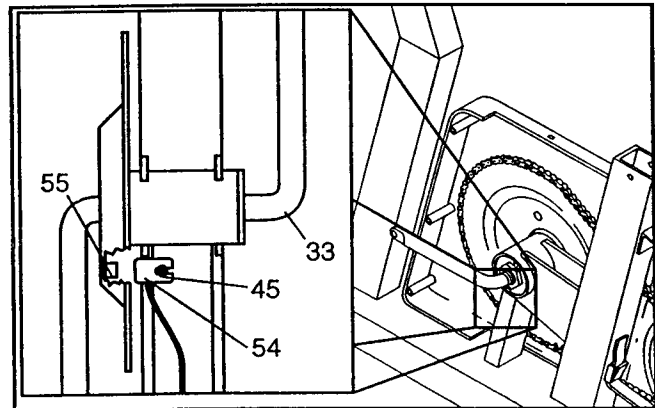
## HOW TO ADJUST THE REED SWITCH

If the console does not display correct feedback, the reed switch should be adjusted. In order to adjust the reed switch, the Left Side Shield (1) must be removed (refer to the drawing at the top of this page). Using an adjustable wrench, turn the Left Pedal (28) clockwise and remove it from the Crank (33). Remove the two M4 x 16mm Screws (4) from the Left Side Shield.



Next, remove the Seat Knob (29) and lift the Side Shield Cover (64) off the Side Shields. Grasp both Side Shields at the top and gently pull them apart. Make sure that the arm of the Crank is in the position shown in the drawing above. Carefully slide the Left Side Shield forward off the arm of the Crank and remove it.

Locate the Reed Switch (54). Turn the Crank (33) until the Magnet (55) is aligned with the Reed Switch. Loosen but do not remove the M4 x 16mm Screw (45). Slide the Reed Switch slightly closer to or away

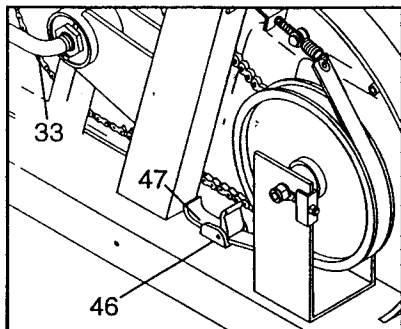


from the Magnet. Retighten the Screw. Turn the Crank for a moment. Repeat until the console displays correct feedback. When the Reed Switch is correctly adjusted, reattach the left side shield and pedal.

## HOW TO ADJUST THE RESISTANCE STRAP

If there is not enough pedaling resistance when the resistance knob is turned to the highest setting, the Resistance Strap (47) may need to be adjusted. To adjust the Resistance Strap, the left side shield must first be removed. Refer to the instructions at the left and remove the left side shield.

Next, turn the resistance knob to the lowest setting. Locate and open the Strap Buckle (46). Grip the end of the Resistance Strap (47) and pull it up to remove any slack. While holding the end of the Resistance Strap, **fully** close the Strap Buckle. Turn the Crank (33) for a moment to make sure that there is not too much resistance. When the Resistance Strap is properly adjusted, reattach the left side shield and pedal.

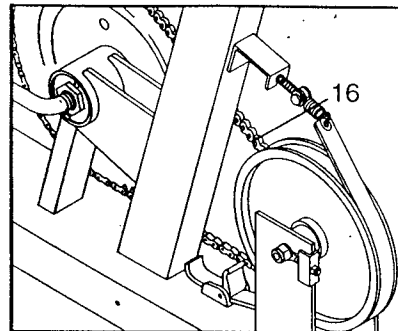


## HOW TO ADJUST THE CHAIN

The exercise cycle features a precision chain that must be kept properly lubricated. Apply a few drops of light multi-purpose oil to the chain every three months.

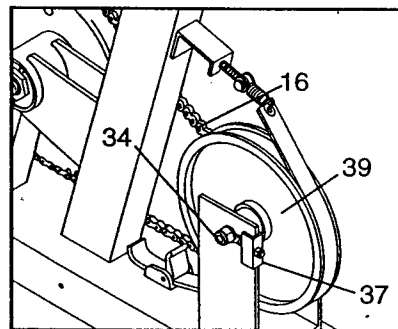
In addition, the chain must be kept properly adjusted. If the chain causes excessive noise or slips as you pedal, the chain should be checked. To do this, the left side shield must first be removed. Refer to the instructions on page 12 and remove the left side shield. Next, use an adjustable wrench to turn the right pedal counterclockwise and remove it. Remove the right side shield.

Press down on the center of the Chain (16) between the front and rear sprockets. **There should be from 1/4" to 1" of vertical movement in the center of the Chain.**



If the Chain (16) is properly adjusted, reattach the side shields and pedals. If the Chain needs to be adjusted, loosen the M10 Washer Nut (34) on each side of the Flywheel (39).

To tighten the Chain, turn the two M6 Nuts (37) clockwise; to loosen the chain, turn the Nuts counterclockwise. Make sure that the Flywheel is straight and tighten the M10 Washer Nuts (34). Reattach the side shields and pedals.



# PART LIST—Model No. WLEX32680

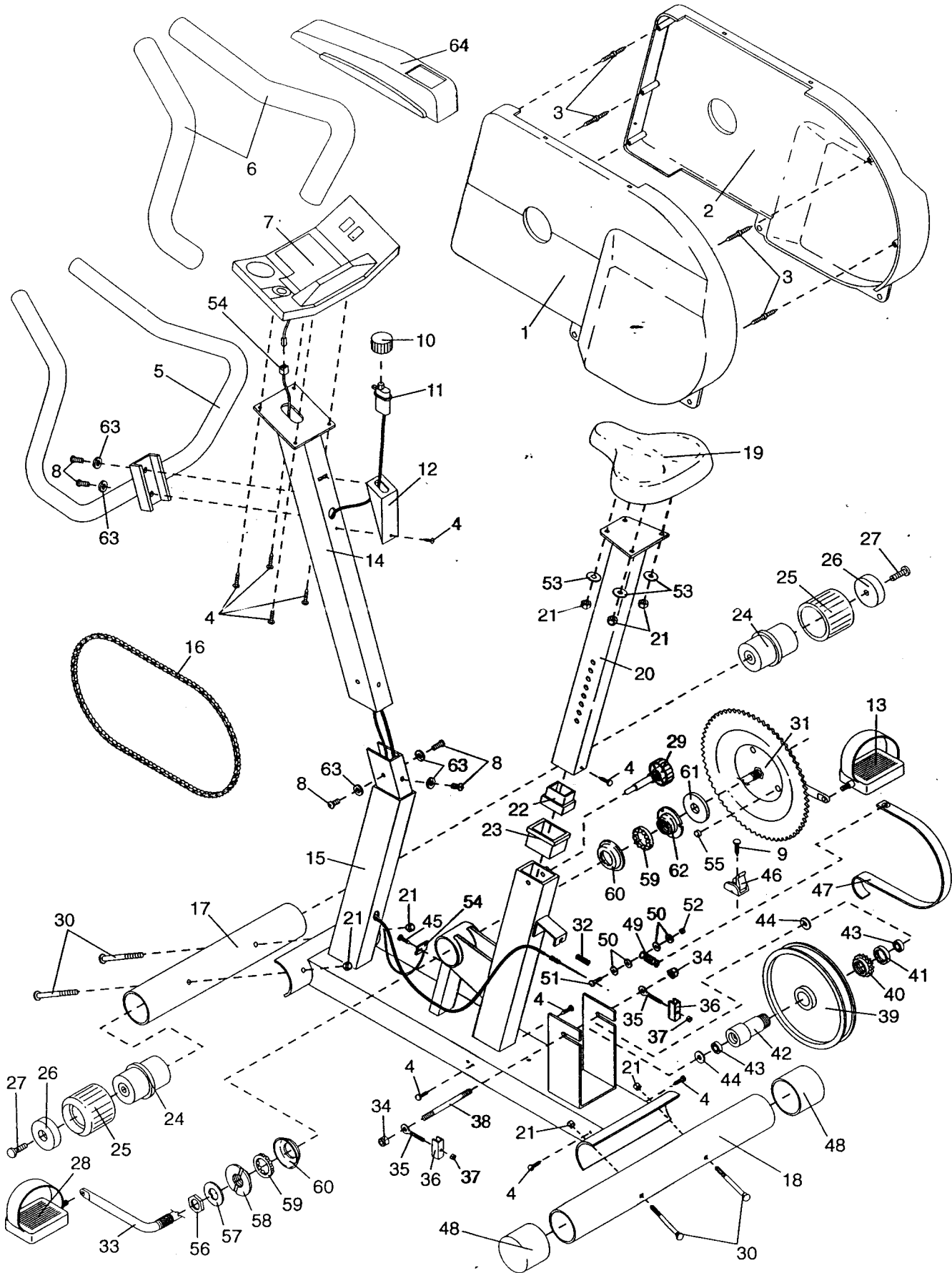
R1098A

Key No.	Qty.	Description	Key No.	Qty.	Description
1	1	Left Side Shield	35	2	Adjustment Bolt
2	1	Right Side Shield	36	2	Adjustment Bracket
3	5	Double Tree Fastener	37	2	M6 Nut
4	4	M4 x 16mm Screw	38	1	Flywheel Axle
5	1	Handlebar	39	1	Flywheel
6	2	Foam Grip	40	1	Small Gear
7	1	Console	41	1	Gear Spacer
8	5	M10 x 25mm Button Screw	42	1	Gear Hub
9	1	M4 x 16mm Flat Head Screw	43	2	Flywheel Bearing
10	1	Resistance Knob	44	2	M10 Washer
11	1	Resistance Cable	45	1	M4 x 16mm Washer Head Screw
12	1	Knob Housing	46	1	Strap Buckle
13	1	Right Pedal	47	1	Resistance Strap
14	1	Handlebar Post	48	2	Stabilizer Endcap
15	1	Frame	49	1	Large Spring
16	1	Chain	50	4	M6 Washer
17	1	Front Stabilizer	51	1	M4 x 14mm Bolt
18	1	Rear Stabilizer	52	1	M4 Nut
19	1	Seat	53	4	M8 Split Washer
20	1	Seat Post	54	1	Reed Switch/Wire
21	8	M8 Nylon Locknut	55	1	Magnet
22	1	25.4mm x 63.5mm Endcap	56	1	Crank Nut
23	1	Seat Post Bushing	57	1	Notched Crank Washer
24	2	Wheel Hub	58	1	Slotted Crank Nut
25	2	Wheel	59	2	Bearing
26	2	Wheel Spacer	60	2	Bearing Cup
27	2	M6 x 16mm Self-tapping Screw	61	1	Crank Washer
28	1	Left Pedal	62	1	Notched Crank Nut
29	1	Seat Knob	63	5	M10 Split Washer
30	4	M8 x 80mm Carriage Bolt	64	1	Side Shield Cover
31	1	Sprocket	#	1	User's Manual
32	1	Small Spring	#	1	Console Decal Sheet
33	1	Crank	#	1	Allen Wrench
34	2	M8 Washer Nut			

Note: “#” indicates a non-illustrated part. Specifications are subject to change without notice. See the back cover of this manual for information about ordering replacement parts.

# EXPLODED DRAWING—Model No. WLEX32680

R1098A



# HOW TO ORDER REPLACEMENT PARTS

To order replacement parts, call our Customer Service Department toll-free at 1-800-999-3756, Monday through Friday, 6 a.m. until 6 p.m. Mountain Time (excluding holidays). To help us assist you, please be prepared to give the following information:

- The MODEL NUMBER of the product (WLEX32680).
- The NAME of the product (WESLO PURSUIT® 895i).
- The SERIAL NUMBER of the product (see the front cover of this manual).
- The KEY NUMBER and DESCRIPTION of the part(s) (see the PART LIST on page 14 of this manual).

WESLO is a registered trademark of ICON Health & Fitness, Inc.

## LIMITED WARRANTY

ICON Health & Fitness, Inc. (ICON), warrants this product to be free from defects in workmanship and material, under normal use and service conditions, for a period of ninety (90) days from the date of purchase. This warranty extends only to the original purchaser. ICON's obligation under this warranty is limited to replacing or repairing, at ICON's option, the product at one of its authorized service centers. All products for which warranty claim is made must be received by ICON at one of its authorized service centers with all freight and other transportation charges prepaid, accompanied by sufficient proof of purchase. All returns must be pre-authorized by ICON. This warranty does not extend to any product or damage to a product caused by or attributable to freight damage, abuse, misuse, improper or abnormal usage or repairs not provided by an ICON authorized service center, to products used for commercial or rental purposes, or to products used as store display models. No other warranty beyond that specifically set forth above is authorized by ICON.

ICON is not responsible or liable for indirect, special or consequential damages arising out of or in connection with the use or performance of the product or damages with respect to any economic loss, loss of property, loss of revenues or profits, loss of enjoyment or use, costs of removal, installation or other consequential damages of whatsoever nature. Some states do not allow the exclusion or limitation of incidental or consequential damages. Accordingly, the above limitation may not apply to you.

The warranty extended hereunder is in lieu of any and all other warranties and any implied warranties of merchantability or fitness for a particular purpose is limited in its scope and duration to the terms set forth herein. Some states do not allow limitations on how long an implied warranty lasts. Accordingly, the above limitation may not apply to you.

This warranty gives you specific legal rights. You may also have other rights which vary from state to state.

**ICON HEALTH & FITNESS, INC., 1500 S. 1000 W., LOGAN, UT 84321-9813**