

# WESLO PRO

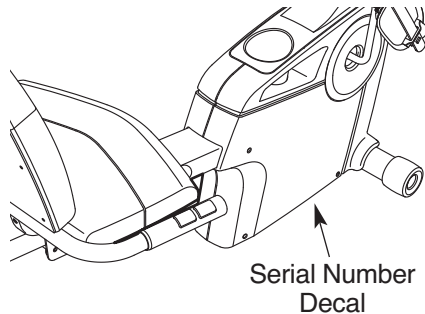
## PURSUIT CT 5.9

[www.weslo.com](http://www.weslo.com)

Model No. WLEX32709.0

Serial No. \_\_\_\_\_

Write the serial number in the space above for reference.



## USER'S MANUAL

### QUESTIONS?

If you have questions, or if parts are damaged or missing, **DO NOT CONTACT THE STORE**; please contact Customer Care.

**IMPORTANT:** Please register this product (see the limited warranty on the back cover of this manual) before contacting Customer Care.

CALL TOLL-FREE:

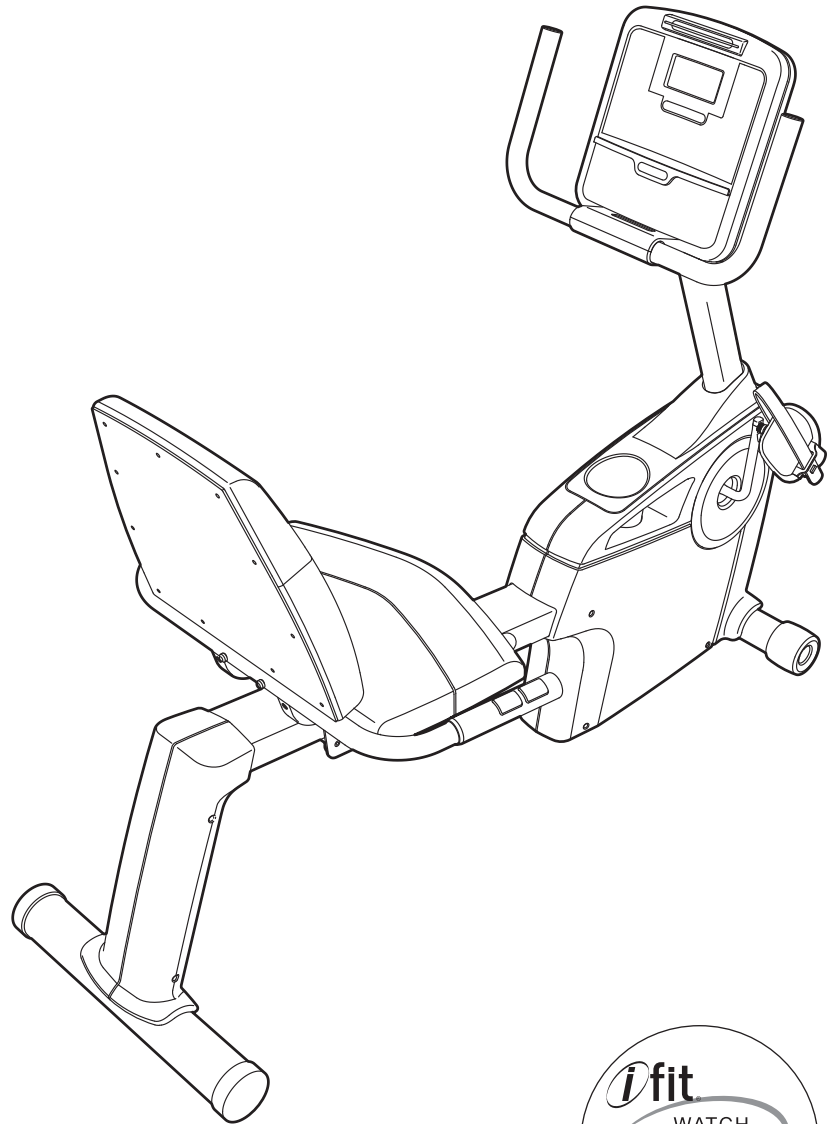
**1-866-699-3756**

Mon.–Fri., 6 a.m.–6 p.m. MT

Sat. 8 a.m.–4 p.m. MT

ON THE WEB:

[www.wesloservice.com](http://www.wesloservice.com)



### CAUTION

Read all precautions and instructions in this manual before using this equipment. Keep this manual for future reference.



# TABLE OF CONTENTS

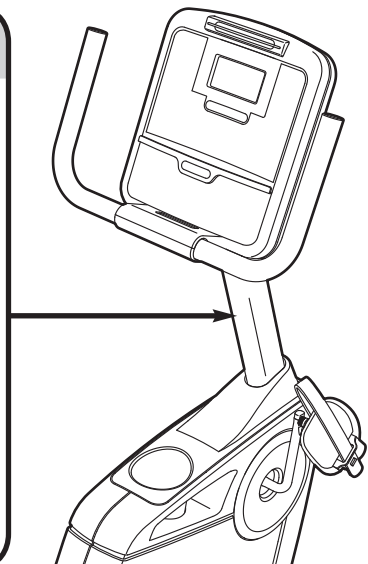

WARNING DECAL PLACEMENT .....	.2
IMPORTANT PRECAUTIONS .....	.3
BEFORE YOU BEGIN .....	.4
ASSEMBLY .....	.5
HOW TO USE THE EXERCISE CYCLE .....	.13
MAINTENANCE AND TROUBLESHOOTING .....	.19
EXERCISE GUIDELINES .....	.20
PART LIST .....	.21
EXPLODED DRAWING .....	.22
ORDERING REPLACEMENT PARTS .....	.Back Cover
LIMITED WARRANTY .....	.Back Cover

## WARNING DECAL PLACEMENT

This drawing shows the location(s) of the warning decal(s). **If a decal is missing or illegible, call the telephone number on the front cover of this manual and request a free replacement decal. Apply the decal in the location shown.** Note: The decal(s) may not be shown at actual size.

**⚠ WARNING**

- Misuse of this machine may result in serious injury.
- Read user's manual prior to use and follow all warnings and instructions.
- Do not allow children on or around machine.
- Pedals continue to spin when you stop pedaling.
- Spinning pedals can cause injury.
- Reduce pedal speed in a controlled manner.
- User weight must not exceed 275 pounds.
- Replace label if damaged, illegible, or removed.



---

# IMPORTANT PRECAUTIONS

**⚠️ WARNING:** To reduce the risk of serious injury, read all important precautions and instructions in this manual and all warnings on your exercise cycle before using your exercise cycle. ICON assumes no responsibility for personal injury or property damage sustained by or through the use of this product.

1. Before beginning any exercise program, consult your physician. This is especially important for persons over the age of 35 or persons with pre-existing health problems.
2. It is the responsibility of the owner to ensure that all users of the exercise cycle are adequately informed of all precautions.
3. The exercise cycle is intended for home use only. Do not use the exercise cycle in a commercial, rental, or institutional setting.
4. Keep the exercise cycle indoors, away from moisture and dust. Place the exercise cycle on a level surface, with a mat beneath it to protect the floor or carpet. Make sure that there is at least 2 ft. (0.6 m) of clearance around the exercise cycle.
5. Inspect and properly tighten all parts regularly. Replace any worn parts immediately.
6. Keep children under age 12 and pets away from the exercise cycle at all times.
7. The exercise cycle should not be used by persons weighing more than 275 lbs. (124 kg).
8. Wear appropriate exercise clothes while exercising; do not wear loose clothes that could become caught on the exercise cycle. Always wear athletic shoes for foot protection while exercising.
9. The pulse sensor is not a medical device. Various factors, including the user's movement, may affect the accuracy of heart rate readings. The pulse sensor is intended only as an exercise aid in determining heart rate trends in general.
10. Keep your back straight while using the exercise cycle; do not arch your back.
11. When you stop exercising, allow the pedals to slowly come to a stop.
12. Over exercising may result in serious injury or death. If you feel faint or if you experience pain while exercising, stop immediately and cool down.
13. Use the exercise cycle only as described in this manual.

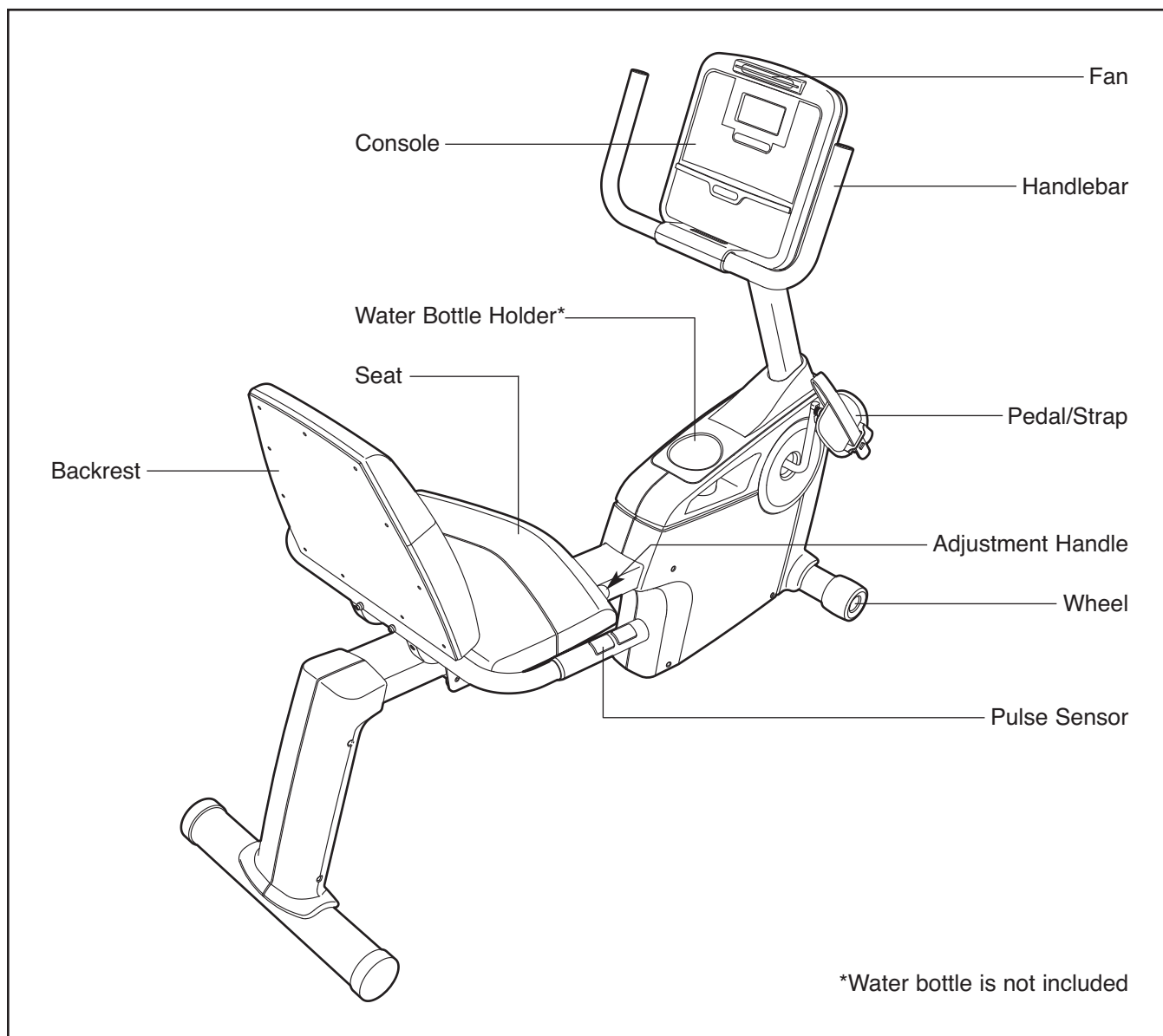
# BEFORE YOU BEGIN

Congratulations for selecting the new WESLO PRO PURSUIT CT 5.9 exercise cycle. Cycling is one of the most effective exercises for increasing cardiovascular fitness, building endurance, and toning the entire body. The PURSUIT CT 5.9 exercise cycle offers an impressive array of features to let you enjoy this healthful exercise in the convenience and privacy of your home.

**For your benefit, read this manual carefully before you use the exercise cycle.** If you have questions

after reading this manual, please see the front cover of this manual. To help us assist you, note the product model number and serial number before contacting us. The model number and the location of the serial number decal are shown on the front cover of this manual.

Before reading further, please familiarize yourself with the parts that are labeled in the drawing below.



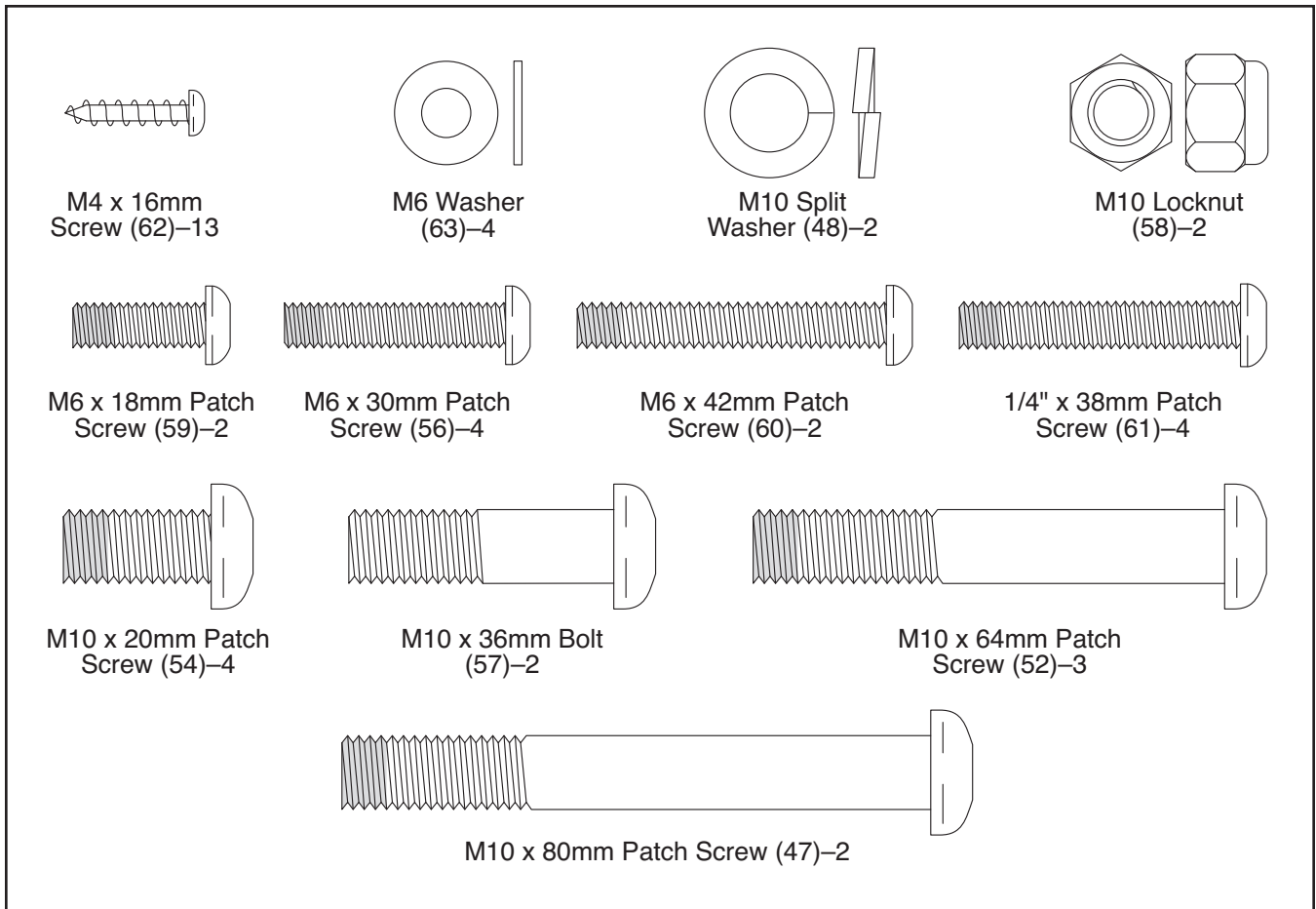
# ASSEMBLY

To hire an authorized service technician to assemble the exercise cycle, call 1-800-445-2480.

**Assembly requires two persons.** Place all parts of the exercise cycle in a cleared area and remove the packing materials. Do not dispose of the packing materials until assembly is completed.

In addition to the included tools, assembly requires an adjustable wrench  and a Phillips screwdriver .

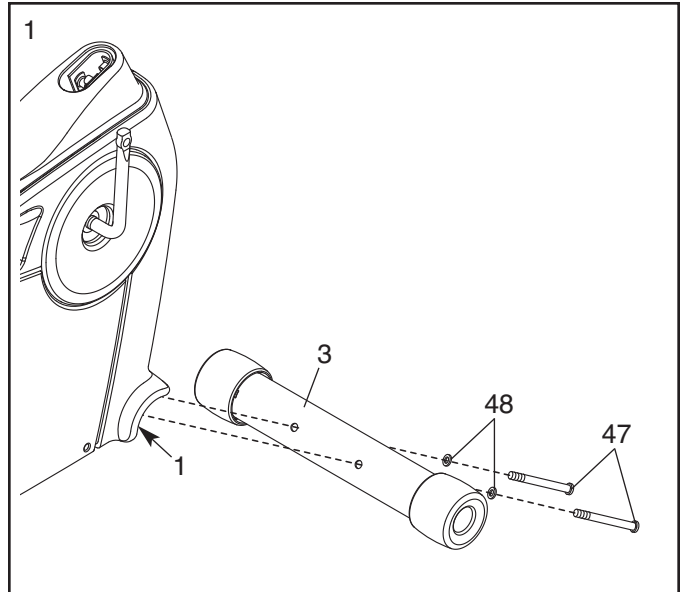
As you assemble the exercise cycle, use the drawings below to identify the small parts used in assembly. The number in parentheses below each drawing is the key number of the part, from the PART LIST near the end of this manual. The number following the parentheses is the quantity needed for assembly. **Note: If a part is not in the hardware kit, check to see if it has been preassembled.**



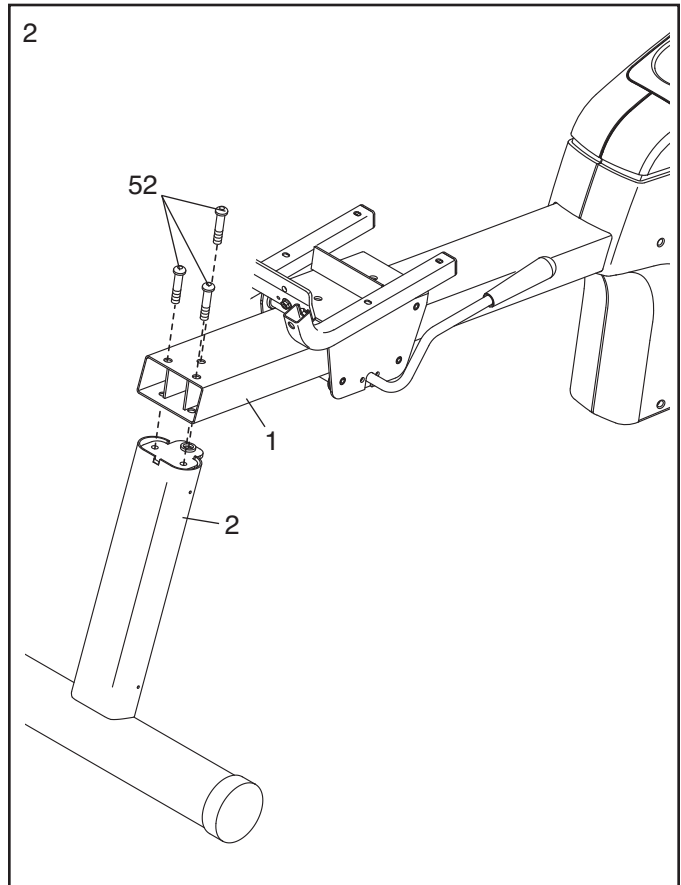
1. **To make assembly easier, read the information on page 5 before you begin assembling the exercise cycle.**

With the help of another person, lift the Frame (1) and place a packing insert (not shown) under the Frame. Have the other person hold the Frame to prevent it from moving from side to side until you complete this step.

Attach the Front Stabilizer (3) to the Frame (1) with two M10 x 80mm Patch Screws (47) and two M10 Split Washers (48).

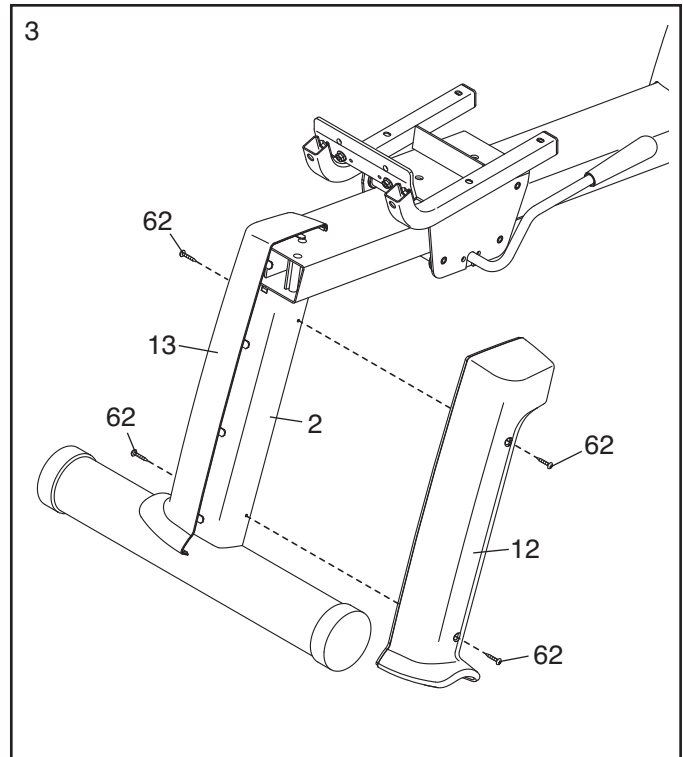


2. Attach the Rear Stabilizer (2) to the Frame (1) with three M10 x 64mm Patch Screws (52).



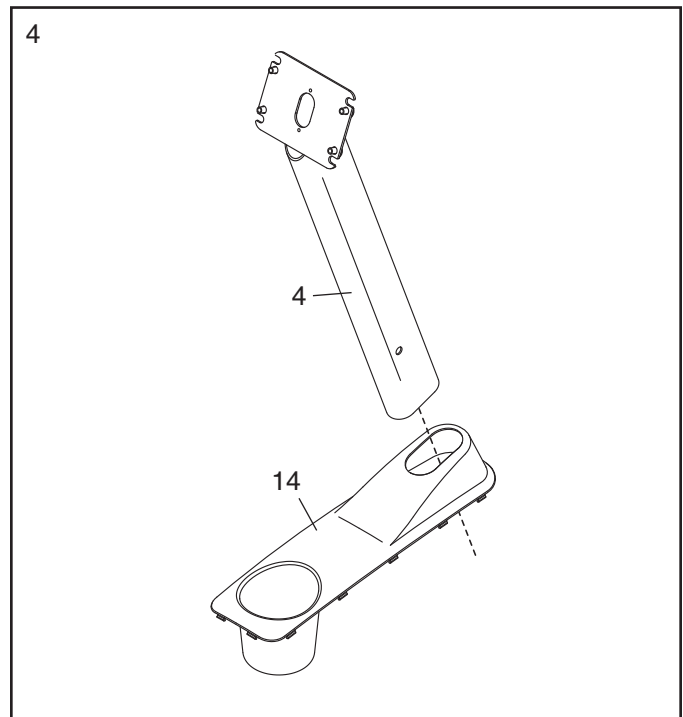
3. Identify the Right and Left Stabilizer Covers (12, 13), which are marked with "R" and "L" stickers.

Attach each Stabilizer Cover (12, 13) to the Rear Stabilizer (2) with two M4 x 16mm Screws (62).



4. With the help of another person, slide the Top Shield (14) upward onto the Upright (4). **Make sure that the Top Shield and the Upright are oriented as shown.**

Have the other person continue holding the Top Shield (14) in place while you complete step 5.

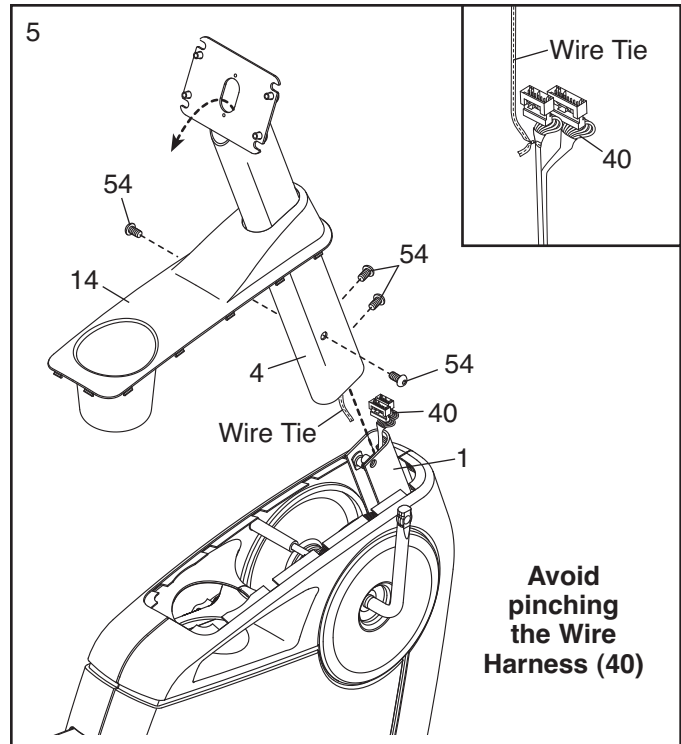


5. **Tip: Avoid pinching the Wire Harness (40) during this step.**

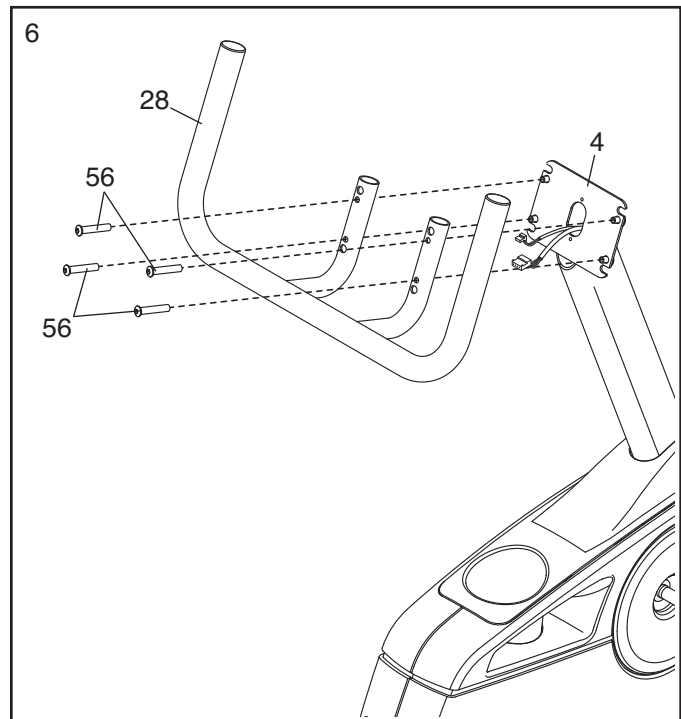
Have another person hold the Upright (4) and the Top Shield (14) near the Frame (1). Locate the wire tie in the Upright and the Wire Harness (40) in the Frame.

**See the inset drawing.** Tie the lower end of the wire tie to one of the connectors on the Wire Harness (40). Next, pull the other end of the wire tie upward until the Wire Harness is routed completely through the Upright (4). Then, discard the wire tie.

Slide the Upright (4) onto the Frame (1). Attach the Upright with four M10 x 20mm Patch Screws (54). Then, press the Top Shield (14) downward into the Frame.

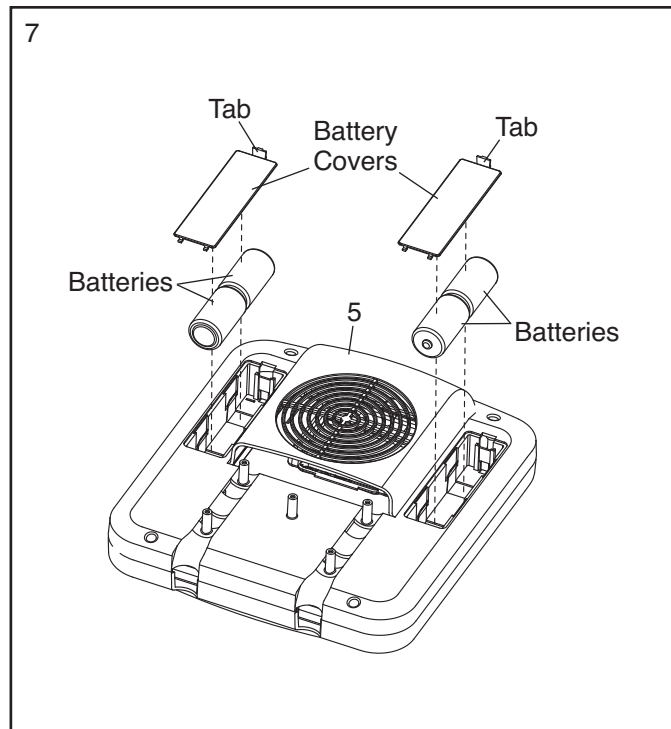


6. Attach the Handlebar (28) to the Upright (4) with four M6 x 30mm Patch Screws (56).



7. The Console (5) can use four 1.5V “D” batteries (not included); alkaline batteries are recommended. **IMPORTANT: If the Console has been exposed to cold temperatures, allow it to warm to room temperature before inserting batteries. Otherwise, you may damage the console displays or other electronic components.** Press the tabs on the battery covers, and remove the battery covers. Next, insert batteries into the battery compartments. **Make sure to orient the batteries as shown by the diagrams inside the battery compartments.** Then, attach the battery covers.

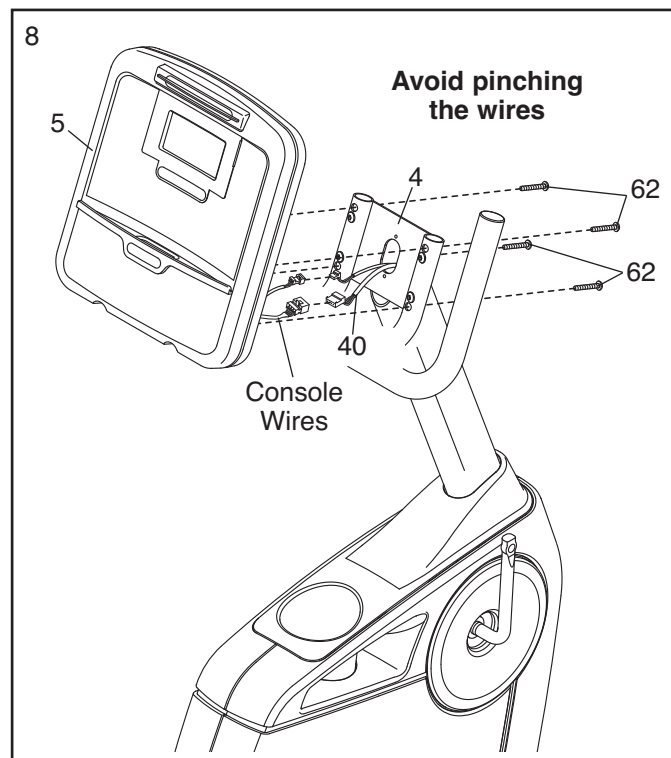
To purchase an optional AC adapter, contact the store where you purchased this product or call the telephone number on the cover of this manual. To avoid damaging the console, use only a manufacturer-supplied AC adapter. Plug one end of the AC adapter into the jack on the console; plug the other end into an outlet installed in accordance with all local codes and ordinances.



8. Have another person hold the Console (5) near the Upright (4).

Connect the wires on the Console (5) to the Wire Harness (40). Insert the excess wiring downward into the Upright (4).

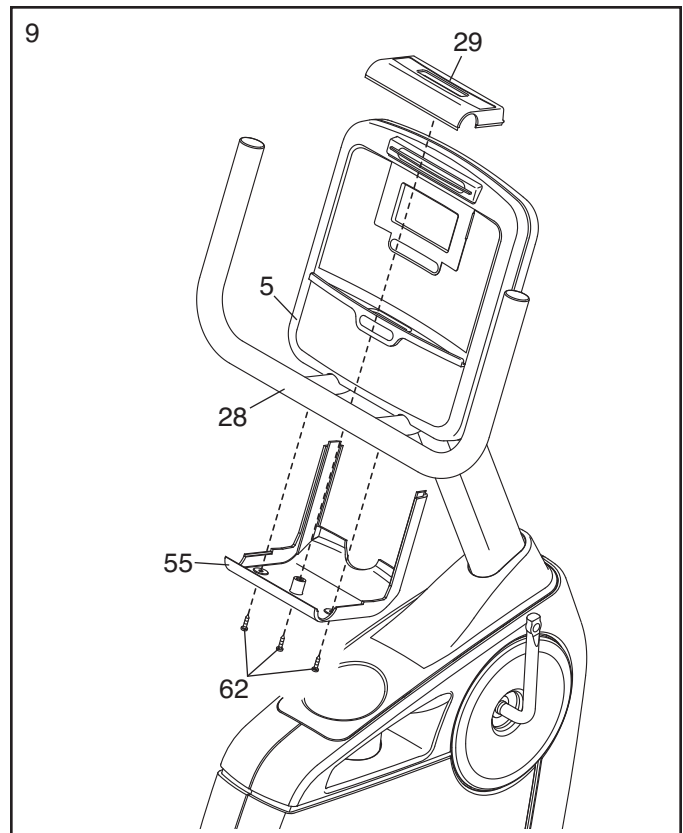
**Tip: Do not pinch the wires during this step. Start all screws before tightening any of them.** Attach the Console (5) to the Upright (4) with four M4 x 16mm Screws (62).



9. Slide the Bottom Handlebar Cover (55) upward into the back of the Console (5) and around the Handlebar (28) as shown.

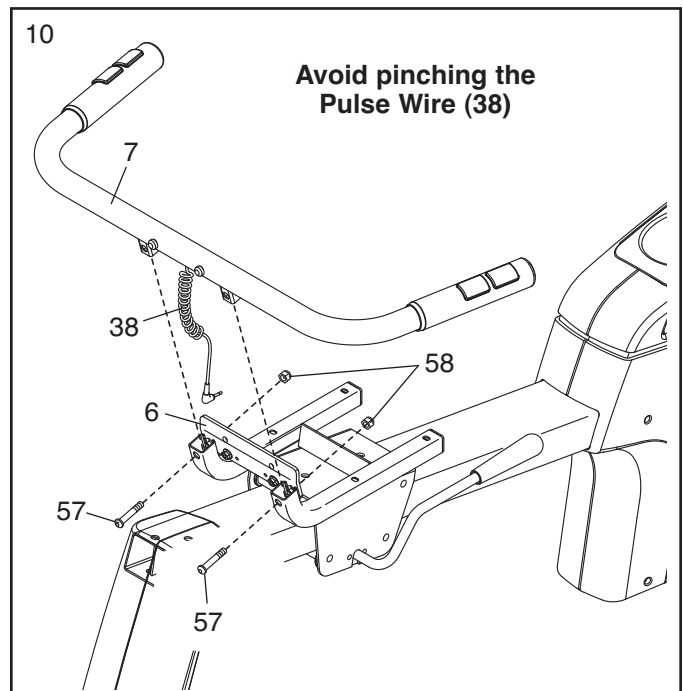
Attach the Bottom Handlebar Cover (55) to the Handlebar (28) with two M4 x 16mm Screws (62).

Next, attach the Top Handlebar Cover (29) to the Handlebar (28) and the Bottom Handlebar Cover (55) with an M4 x 16mm Screw (62).



10. **Tip: Avoid pinching the Pulse Wire (38) during this step.**

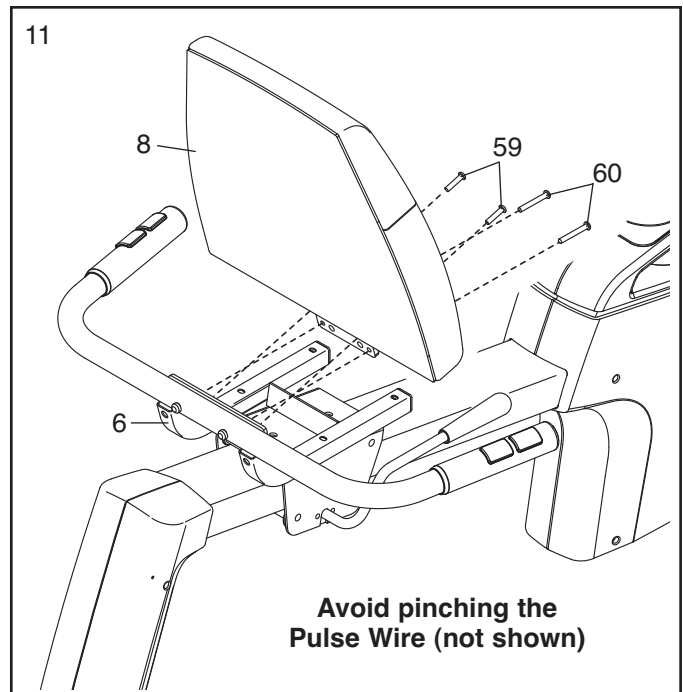
Orient the Pulse Bar (7) as shown. Attach the Pulse Bar to the Seat Carriage (6) with two M10 x 36mm Bolts (57) and two M10 Locknuts (58). **Do not tighten the Bolts yet.**



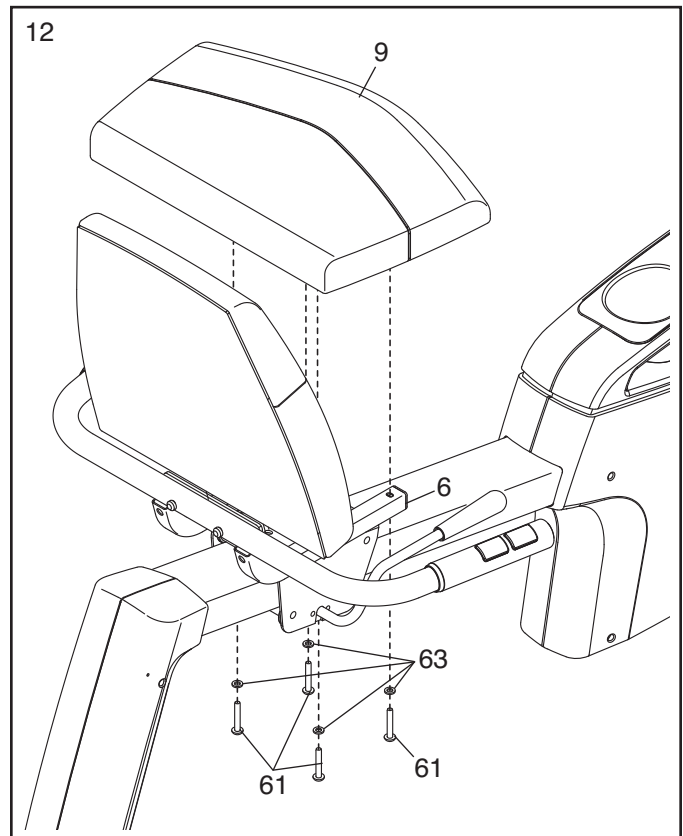
**11. Tip: Avoid pinching the Pulse Wire (not shown) during this step.**

Attach the Backrest (8) to the Seat Carriage (6) with two M6 x 18mm Patch Screws (59) and two M6 x 42mm Patch Screws (60).

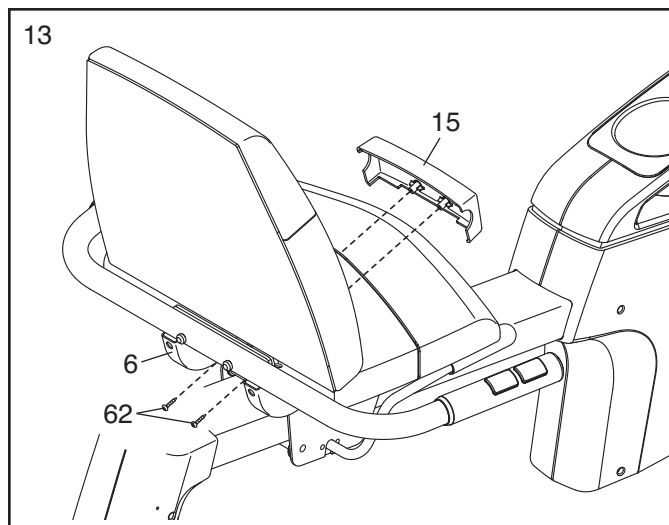
**See step 10.** Tighten the two M10 x 36mm Bolts (57).



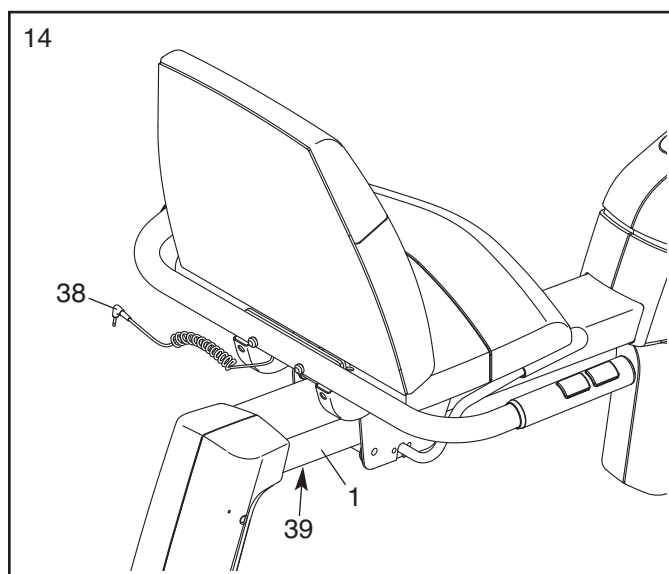
**12. Attach the Seat (9) to the Seat Carriage (6) with four 1/4" x 38mm Patch Screws (61) and four M6 Washers (63). Note: The Patch Screws and the Washers may be preattached to the underside of the Seat.**



13. Attach the Pulse Bar Cover (15) to the Seat Carriage (6) with two M4 x 16mm Screws (62).

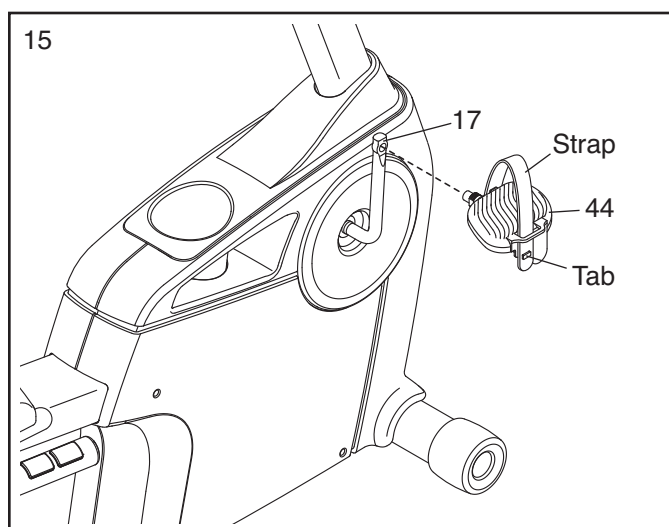


14. Plug the Pulse Wire (38) into the Pulse Receptacle (39) on the underside of the Frame (1).



15. Identify the Right Pedal (44), which is marked with an "R." Using an adjustable wrench, **firmly tighten** the Right Pedal *clockwise* into the right side of the Crank (17). Tighten the Left Pedal (not shown) *counterclockwise* into the left side of the Crank. **IMPORTANT: Tighten both Pedals as firmly as possible. After using the exercise cycle for one week, retighten the Pedals.**

Adjust the strap on the Right Pedal (44) to the desired position, and press the ends of the straps onto the tabs on the Right Pedal. **Adjust the strap on the Left Pedal (not shown) in the same way.**

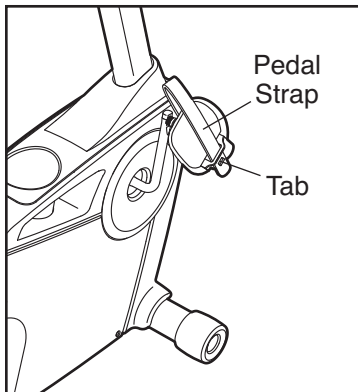


16. **Make sure that all parts are properly tightened before you use the exercise cycle.** Note: After assembly is completed, some extra parts may be left over. Place a mat beneath the exercise cycle to protect the floor.

# HOW TO USE THE EXERCISE CYCLE

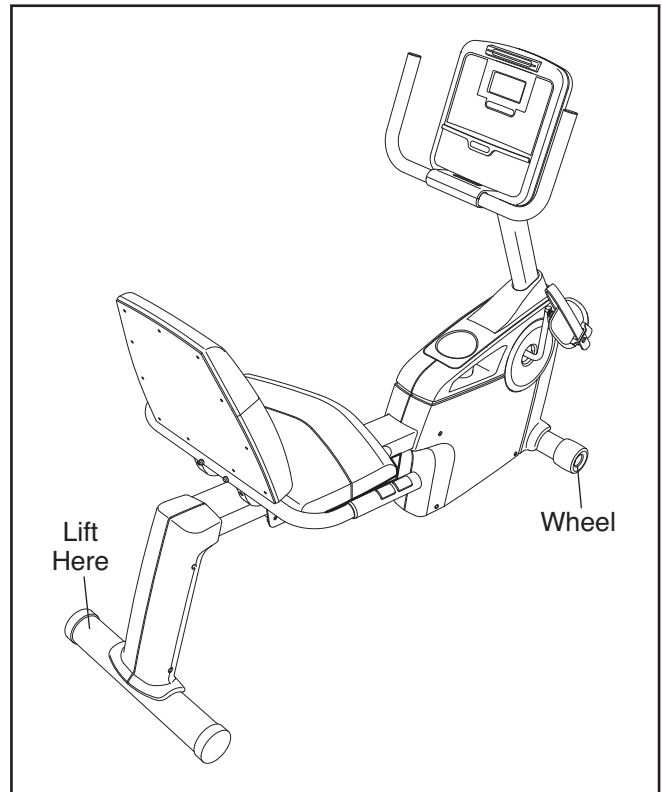
## HOW TO ADJUST THE PEDAL STRAPS

To adjust the pedal straps, first pull the ends of the straps off the tabs on the pedals. Adjust the straps to the desired position, and then press the ends of the straps onto the tabs.



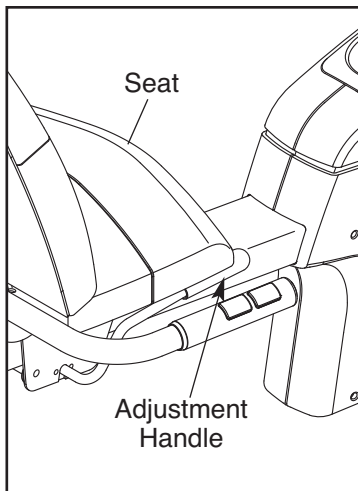
## HOW TO MOVE THE EXERCISE CYCLE

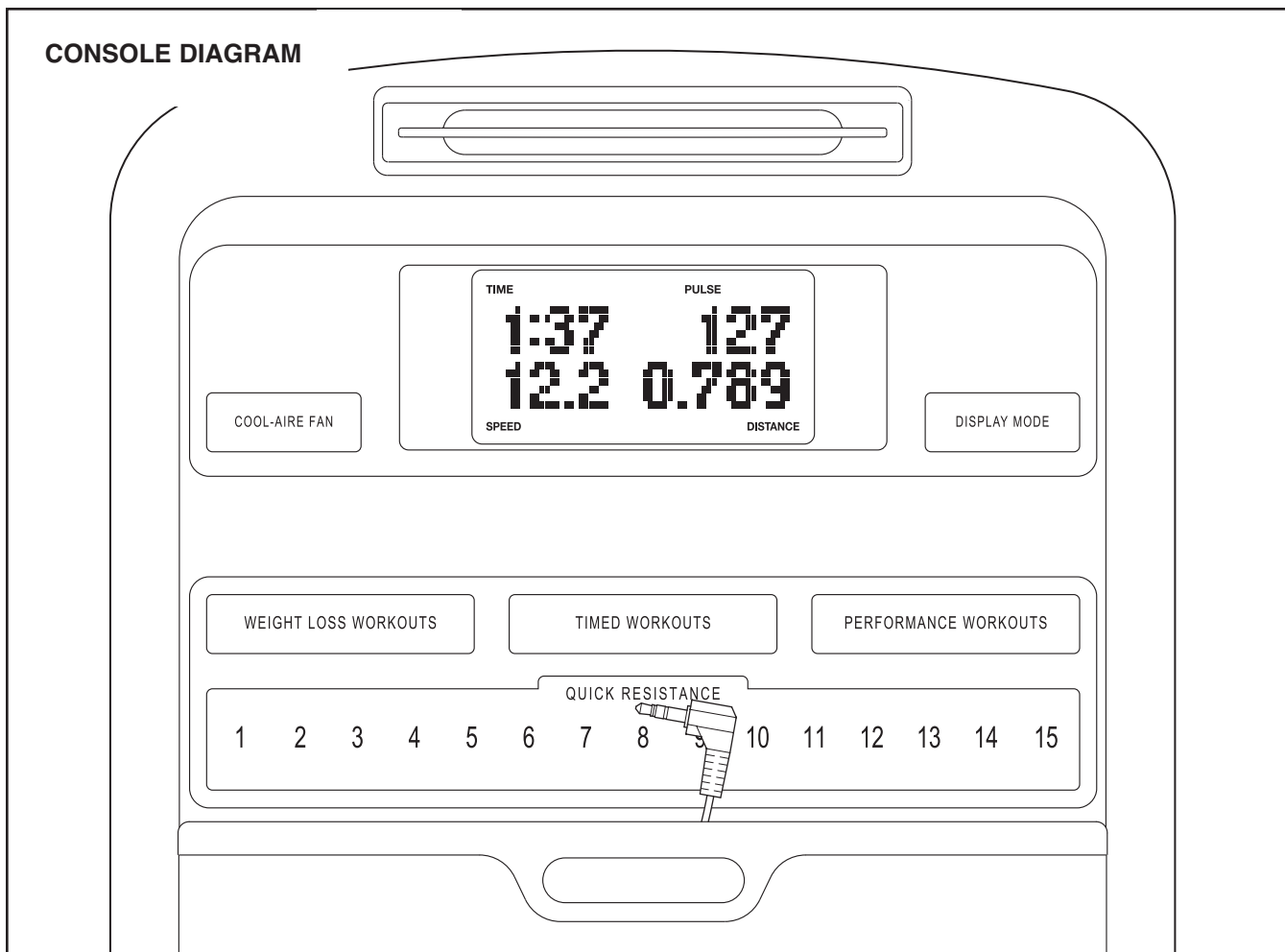
To move the exercise cycle, lift the rear stabilizer until the exercise cycle can be moved on the front wheels. Carefully move the exercise cycle to the desired location and then lower it to the floor.



## HOW TO ADJUST THE SEAT

The seat can be adjusted forward or backward to the position that is the most comfortable for you. To adjust the seat, push downward on the adjustment handle, slide the seat to the desired position, and then pull upward on the adjustment handle to lock the seat in place.





## FEATURES OF THE CONSOLE

The advanced console offers an array of features designed to make your workouts more effective and enjoyable. When you select the manual mode of the console, you can change the resistance of the pedals with the touch of a button. As you exercise, the console will provide continuous exercise feedback. You can even measure your heart rate using the handgrip pulse sensor.

The console also offers fourteen preset workouts: four weight loss workouts, five timed workouts, and five performance workouts. Each workout automatically changes the resistance of the pedals and prompts you to increase or decrease your pedaling speed as it guides you through an effective workout.

You can even connect your MP3 player or CD player to the console's sound system and listen to your favorite workout music or audio books while you exercise.

**To use the manual mode of the console**, follow the steps beginning on page 15. **To use a preset workout**, see page 17. **To use the sound system**, see page 18.

**Note:** If there is a sheet of clear plastic on the face of the console, remove the plastic.

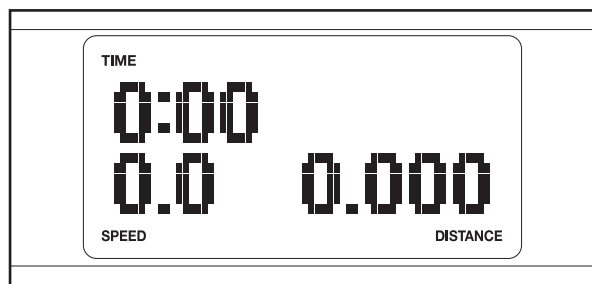
## HOW TO USE THE MANUAL MODE

1. **Press any button on the console or begin pedaling to turn on the console.**

When you turn on the console, the display will light. A tone will sound and the console will be ready for use.

2. **Select the manual mode.**

When you turn on the console, the manual mode will be selected. If you have selected a workout, reselect the manual mode by pressing any of the three Workouts buttons repeatedly until zeros appear in the display.

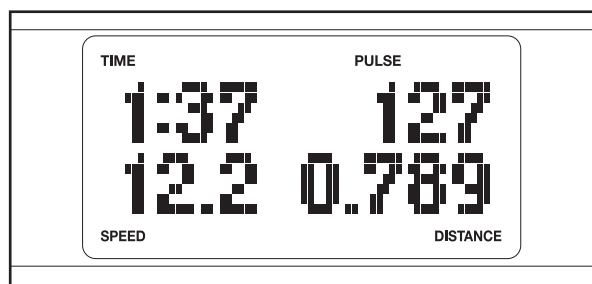


3. **Begin pedaling and change the resistance of the pedals as desired.**

As you pedal, change the resistance of the pedals by pressing the Quick Resistance buttons. There are fifteen resistance levels. Note: After you press the buttons, it will take a moment for the pedals to reach the selected resistance level.

4. **Follow your progress with the display.**

While you pedal, the upper left corner of the display will show the elapsed time.



The lower left corner of the display will show your pedaling speed, in miles per hour or kilometers per hour.

The upper right corner of the display will show your heart rate when you use the handgrip pulse sensor (see step 5 on page 16).

The lower right corner of the display will show the distance that you have pedaled, in miles or kilometers.

The center of the display will show the resistance setting of the pedals for a few seconds each time the resistance setting changes.

To view the approximate number of calories that you are burning per hour and the approximate number of calories that you have burned during your workout, press the Display Mode button.

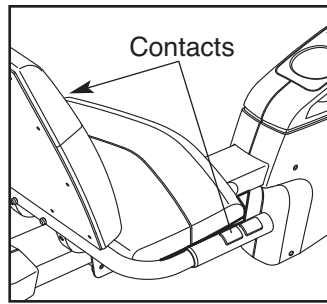
You can also view selected information at a larger size. Press the Display Mode button repeatedly to view the elapsed time, the distance that you have pedaled, your pedaling speed, or the approximate number of calories that you have burned.

To again view the elapsed time, your pedaling speed, and the distance that you have pedaled, press the Display Mode button again.

**IMPORTANT: The console can display speed and distance in either miles or kilometers.** To find which unit of measurement is selected, hold down the Display Mode button for several seconds. The word ENGLISH or the word METRIC will appear in the display. Press the Quick Resistance 15 button to change the unit of measurement, if desired. To view the total number of hours that the exercise cycle has been used and the total number of miles or kilometers pedaled, press the Display Mode button again. When you are ready to resume exercising, press the Display Mode button a third time. Note: If you are using batteries to power the console, it may be necessary to reselect the desired unit of measurement after you replace the batteries.

**5. Measure your heart rate if desired.**

**If there are sheets of clear plastic on the metal contacts on the handgrip pulse sensor, remove the plastic. In addition, make sure that your hands are clean.** To measure



your heart rate, hold the handgrip pulse sensor with your palms resting against the metal contacts. **Avoid moving your hands or gripping the contacts tightly.**

When your pulse is detected, your heart rate will be shown in the display. For the most accurate heart rate reading, hold the contacts for at least 15 seconds.

If your heart rate is not shown, make sure that your hands are positioned as described. Be careful not to move your hands excessively or to squeeze the metal contacts tightly. For optimal performance, clean the metal contacts using a soft cloth; **never use alcohol, abrasives, or chemicals to clean the contacts.**

**6. Turn on the fan if desired.**

To turn on the fan at high speed, press the Cool-air Fan button. To turn on the fan at low speed, press the button a second time.

Pivot the fan louvers above the display upward or downward to direct the airflow from the fan.

To turn off the fan, press the Cool-air Fan button a third time. Note: If the pedals do not move for about thirty seconds, the fan will automatically turn off to conserve the batteries.

**7. When you are finished exercising, the console will turn off automatically.**

If the pedals do not move for several seconds, a series of tones will sound and the console will pause.

If the pedals do not move for a few minutes, the console will turn off and the displays will be reset.

## HOW TO USE A PRESET WORKOUT

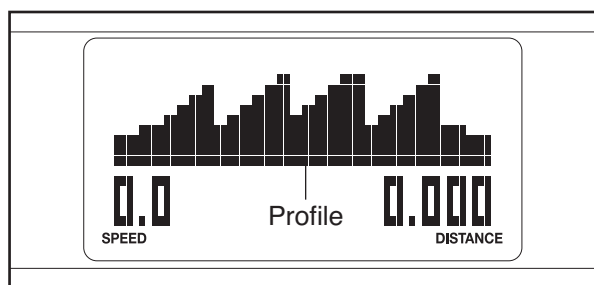
### 1. Press any button on the console or begin pedaling to turn on the console.

See step 1 on page 15.

### 2. Select a preset workout.

To select one of the four weight loss workouts, press the Weight Loss Workouts button repeatedly; to select one of the five timed workouts or one of the five performance workouts, press the Timed Workouts button or the Performance Workouts button repeatedly.

When you select a preset workout, the name of the workout will appear in the display for a few seconds. A profile of the resistance settings of the workout will then appear in the display.



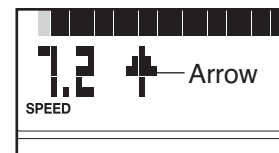
### 3. Begin pedaling to start the workout.

Each workout is divided into either 20, 30, or 45 one-minute segments. One resistance setting and one target speed setting are programmed for each segment. Note: The same resistance setting and/or target speed setting may be programmed for consecutive segments.

During the workout, the workout profile will show your progress (see the drawing above). The flashing column of the profile represents the current segment of the workout. The height of the flashing column indicates the resistance setting for the current segment. At the end of each segment of the workout, a series of tones will sound and the next segment of the profile will begin to flash. If a different resistance setting is programmed for the next segment, the resistance setting will appear in the display for a few seconds to alert you. The resistance of the pedals will then change.

As you exercise, you will be prompted to keep your pedaling speed near the target speed setting for the current segment. When an upward-pointing

arrow appears in the display, increase your speed. When a downward-pointing arrow appears, decrease your speed. When no arrow appears, maintain your current speed.



**IMPORTANT: The target speed settings are intended only to provide motivation. Make sure to pedal at a speed that is comfortable for you.**

If the resistance setting for the current segment is too high or too low, you can manually override the setting by pressing the Quick Resistance buttons. However, when the current segment ends, the resistance of the pedals will automatically adjust to the resistance setting that is programmed for the next segment.

If you stop pedaling for several seconds, a series of tones will sound and the workout will pause. To restart the workout, simply resume pedaling. The workout will continue until the last segment of the profile ends.

### 4. Follow your progress with the display.

During the workout, the display will show the workout profile, your pedaling speed, and the distance that you have pedaled.

To view the time remaining in the workout instead of the workout profile, press the Display Mode button.

To view the approximate number of calories that you are burning per hour and the approximate number of calories that you have burned during your workout, press the Display Mode button again.

To view the workout profile again, press the Display Mode button again.

### 5. Measure your heart rate if desired.

See step 5 on page 16.

### 6. Turn on the fan if desired.

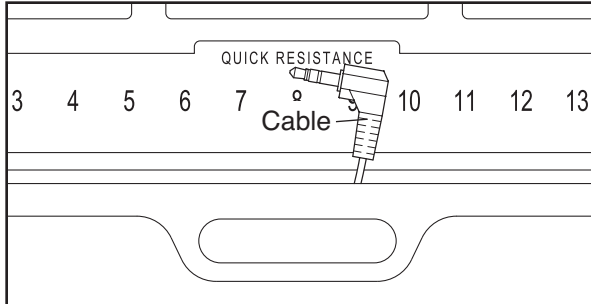
See step 6 on page 16.

### 7. When you are finished exercising, the console will turn off automatically.

See step 7 on page 16.

## HOW TO USE THE SOUND SYSTEM

To play music or audio books through the console's sound system while you exercise, first locate the audio cable in the center of the console above the speakers. Plug the cable into a jack on your MP3 player or CD player; **make sure that the audio cable is fully plugged in.**



Next, press the play button on your MP3 player or CD player. Adjust the volume of the speakers using the volume control on your MP3 player or CD player.

When not in use, insert the audio cable into the storage bracket on the console.

# MAINTENANCE AND TROUBLESHOOTING

Inspect and tighten all parts of the exercise cycle regularly. Replace any worn parts immediately.

To clean the exercise cycle, use a damp cloth and mild soap. **IMPORTANT: To avoid damage to the console, keep liquids away from the console and keep the console out of direct sunlight.**

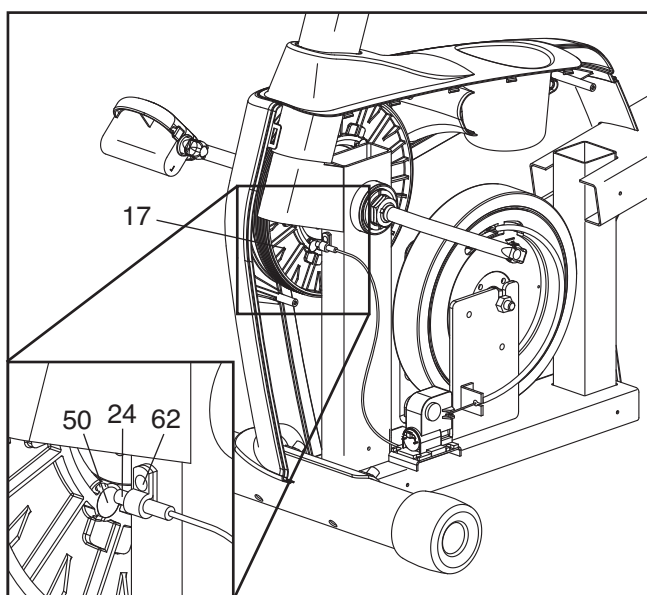
## CONSOLE TROUBLESHOOTING

If the console display becomes dim, the batteries should be replaced; most console problems are the result of low batteries. See assembly step 7 on page 9 for replacement instructions. If the handgrip pulse sensor does not function properly, see step 5 on page 16.

## HOW TO ADJUST THE REED SWITCH

If the console does not display correct feedback, the reed switch should be adjusted. To adjust the reed switch, first use an adjustable wrench to turn the left pedal clockwise and remove it. Next, remove the screws from the left and right shields; **there are two sizes of screws in the shields—note which size of screw you remove from each hole.** Then, gently remove the left shield.

Locate the Reed Switch (24). Turn the Crank (17) until a Magnet (50) is aligned with the Reed Switch. Next, loosen, but do not remove, the indicated M4 x 16mm Screw (62). Slide the Reed Switch slightly closer to or away from the Magnet, and then retighten the Screw. Turn the Crank for a moment. Repeat these actions until the console displays correct feedback. When the Reed Switch is correctly adjusted, reattach the left shield and the left pedal.

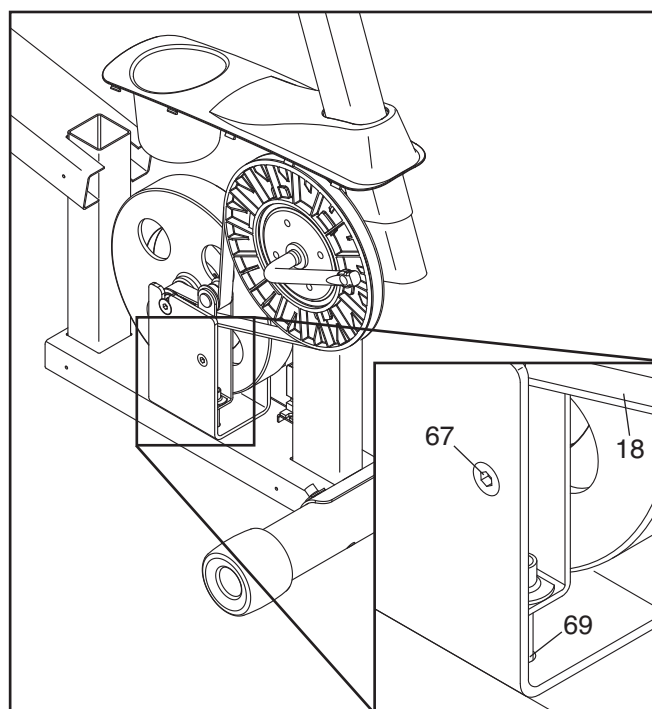


## HOW TO ADJUST THE BELT

If you can feel the pedals slip while you are pedaling, even when the resistance is at the highest level, the belt may need to be adjusted.

To adjust the belt, you must first remove the right pedal and the right shield. Using an adjustable wrench, turn the right pedal counterclockwise and remove it. Next, remove the screws from the left and right shields. Then, gently remove the right shield.

To tighten the belt, first loosen the M8 x 22mm Flat Head Screw (67). Next, tighten the M10 x 90mm Button Screw (69) until the Belt (18) is tight. Then, retighten the Flat Head Screw. Reattach the right shield and the right pedal.



# EXERCISE GUIDELINES

**⚠ WARNING:** Before beginning this or any exercise program, consult your physician. This is especially important for persons over age 35 or persons with pre-existing health problems.

The pulse sensor is not a medical device. Various factors may affect the accuracy of heart rate readings. The pulse sensor is intended only as an exercise aid in determining heart rate trends in general.

These guidelines will help you to plan your exercise program. For detailed exercise information, obtain a reputable book or consult your physician. Remember, proper nutrition and adequate rest are essential for successful results.

## EXERCISE INTENSITY

Whether your goal is to burn fat or to strengthen your cardiovascular system, exercising at the proper intensity is the key to achieving results. You can use your heart rate as a guide to find the proper intensity level. The chart below shows recommended heart rates for fat burning and aerobic exercise.

165	155	145	140	130	125	115	♥
145	138	130	125	118	110	103	♥
125	120	115	110	105	95	90	♥
<hr/>							
20	30	40	50	60	70	80	

To find the proper intensity level, find your age at the bottom of the chart (ages are rounded off to the nearest ten years). The three numbers listed above your age define your “training zone.” The lowest number is the heart rate for fat burning, the middle number is the heart rate for maximum fat burning, and the highest number is the heart rate for aerobic exercise.

**Burning Fat**—To burn fat effectively, you must exercise at a low intensity level for a sustained period of time. During the first few minutes of exercise, your body uses *carbohydrate calories* for energy. Only after the first few minutes of exercise does your body begin to use stored *fat calories* for energy. If your goal is to burn fat, adjust the intensity of your exercise until your heart rate is near the lowest number in your training zone. For maximum fat burning, exercise with your heart rate near the middle number in your training zone.

**Aerobic Exercise**—If your goal is to strengthen your cardiovascular system, you must perform aerobic exercise, which is activity that requires large amounts of oxygen for prolonged periods of time. For aerobic exercise, adjust the intensity of your exercise until your heart rate is near the highest number in your training zone.

## WORKOUT GUIDELINES

**Warming Up**—Start with 5 to 10 minutes of stretching and light exercise. A warm-up increases your body temperature, heart rate, and circulation in preparation for exercise.

**Training Zone Exercise**—Exercise for 20 to 30 minutes with your heart rate in your training zone. (During the first few weeks of your exercise program, do not keep your heart rate in your training zone for longer than 20 minutes.) Breathe regularly and deeply as you exercise—never hold your breath.

**Cooling Down**—Finish with 5 to 10 minutes of stretching. Stretching increases the flexibility of your muscles and helps to prevent post-exercise problems.

## EXERCISE FREQUENCY

To maintain or improve your condition, complete three workouts each week, with at least one day of rest between workouts. After a few months of regular exercise, you may complete up to five workouts each week, if desired. Remember, the key to success is to make exercise a regular and enjoyable part of your everyday life.

# PART LIST—Model No. WLEX32709.0

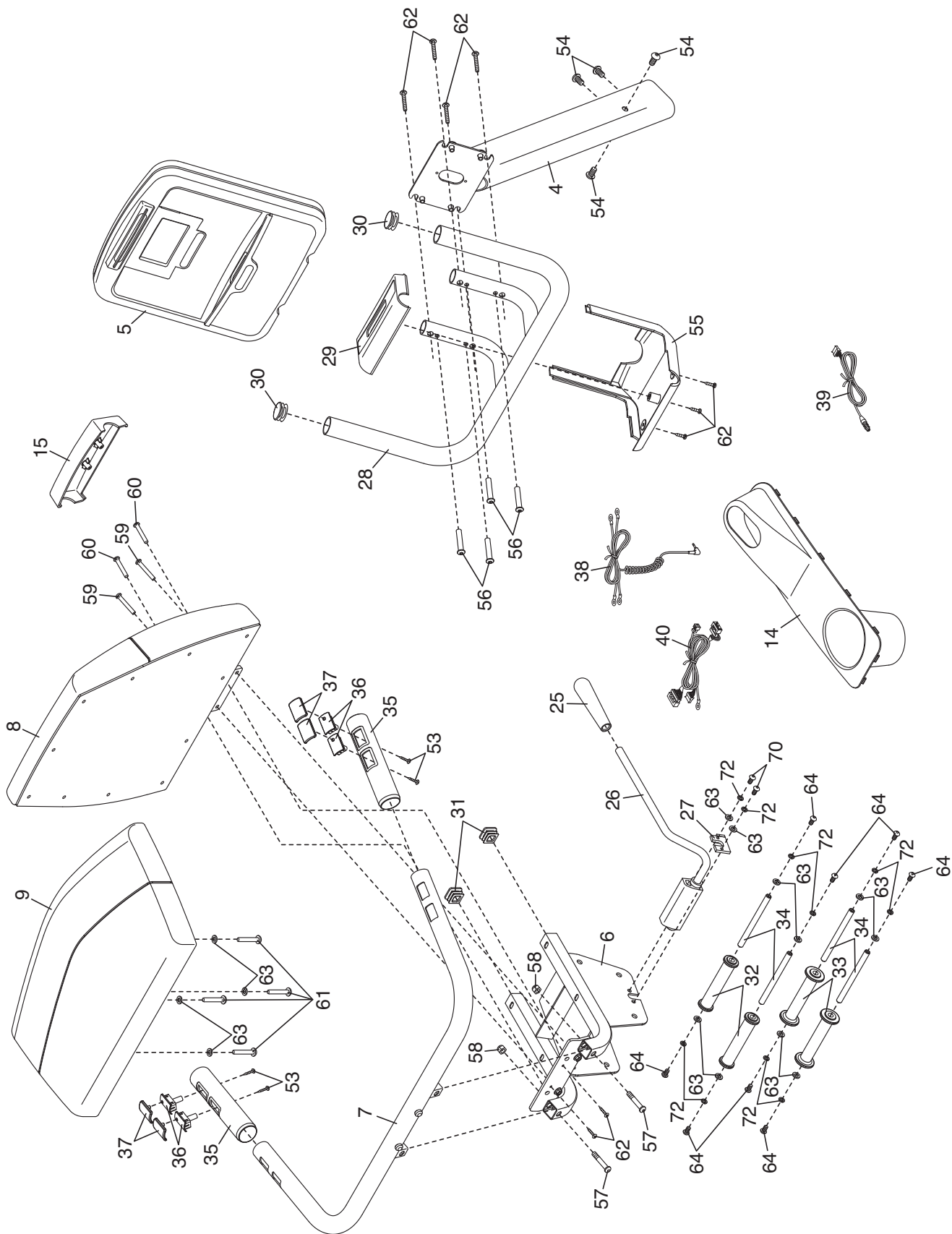
R0809A

Key No.	Qty.	Description	Key No.	Qty.	Description
1	1	Frame	41	2	Wheel
2	1	Rear Stabilizer	42	2	Stabilizer Cap
3	1	Front Stabilizer	43	2	Bumper
4	1	Upright	44	1	Right Pedal/Strap
5	1	Console	45	1	Left Pedal/Strap
6	1	Seat Carriage	46	2	M10 x 41mm Shoulder Screw
7	1	Pulse Bar	47	2	M10 x 80mm Patch Screw
8	1	Backrest	48	2	M10 Split Washer
9	1	Seat	49	1	M4 x 16mm Bright Screw
10	1	Right Shield	50	2	Magnet
11	1	Left Shield	51	1	Resistance Cable
12	1	Right Stabilizer Cover	52	3	M10 x 64mm Patch Screw
13	1	Left Stabilizer Cover	53	4	M3.8 x 20mm Screw
14	1	Top Shield	54	4	M10 x 20mm Patch Screw
15	1	Pulse Bar Cover	55	1	Bottom Handlebar Cover
16	1	Eddy Mechanism	56	4	M6 x 30mm Patch Screw
17	1	Pulley/Crank	57	2	M10 x 36mm Bolt
18	1	Belt	58	3	M10 Locknut
19	1	Idler	59	2	M6 x 18mm Patch Screw
20	1	Resistance Motor	60	2	M6 x 42mm Patch Screw
21	1	Crank Bearing Assembly	61	4	1/4" x 38mm Patch Screw
22	1	Flywheel Axle	62	27	M4 x 16mm Screw
23	1	Clamp	63	14	M6 Washer
24	1	Reed Switch Wire	64	8	1/4" x 16mm Button Screw
25	1	Adjustment Handle	65	1	M10 Washer
26	1	Seat Lock	66	2	M5 x 14mm Screw
27	1	Seat Lock Bracket	67	1	M8 x 22mm Flat Head Screw
28	1	Handlebar	68	1	M8 Locknut
29	1	Top Handlebar Cover	69	1	M10 x 90mm Button Screw
30	2	Handlebar Cap	70	2	1/4" x 14mm Screw
31	2	Seat Carriage Cap	71	1	M8 Washer
32	2	Upper Roller	72	10	M6 Split Washer
33	2	Lower Roller	73	1	M4 x 22mm Screw
34	4	Roller Axle	*	—	Hex Key
35	2	Pulse Grip	*	—	15 1/2" Zip Tie
36	4	Pulse Sensor	*	—	8" Zip Tie
37	4	Pulse Contact	*	—	Panel Fastener
38	1	Pulse Wire	*	—	Grommet
39	1	Pulse Receptacle/Wire	*	—	User's Manual
40	1	Wire Harness			

Note: Specifications are subject to change without notice. For information about ordering replacement parts, see the back cover of this manual. \*These parts are not illustrated.

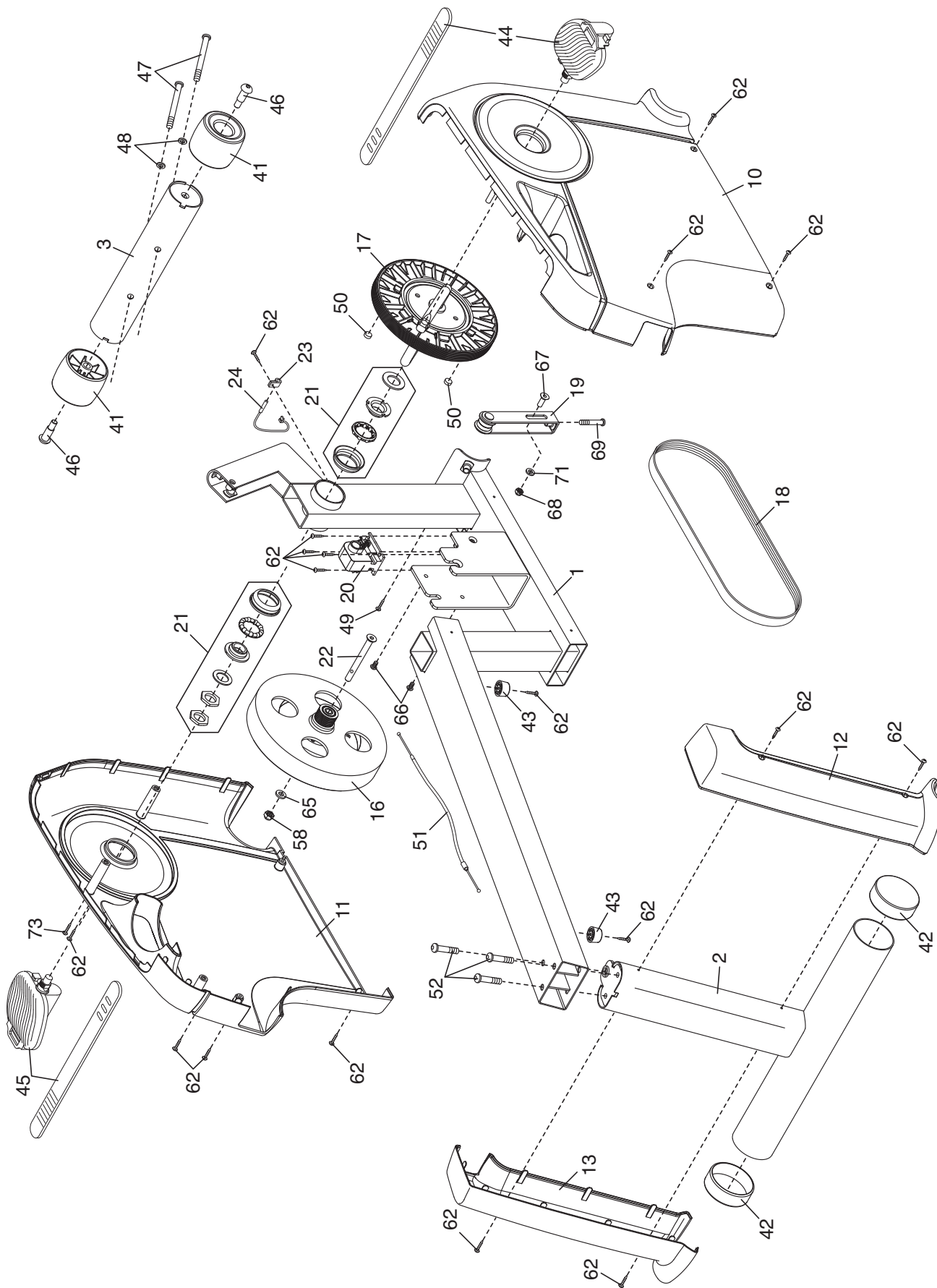
# EXPLODED DRAWING A—Model No. WLEX32709.0

R0809A



# EXPLODED DRAWING B—Model No. WLEX32709.0

R0809A



---

# ORDERING REPLACEMENT PARTS

To order replacement parts, please see the front cover of this manual. To help us assist you, be prepared to provide the following information when contacting us:

- the model number and serial number of the product (see the front cover of this manual)
- the name of the product (see the front cover of this manual)
- the key number and description of the replacement part(s) (see the PART LIST and the EXPLODED DRAWING near the end of this manual)

## LIMITED WARRANTY

**IMPORTANT: You must register this product within 30 days of the purchase date to avoid added fees for service needed under warranty. Go to [www.wesloservice.com/registration](http://www.wesloservice.com/registration).**

ICON Health & Fitness, Inc. (ICON) warrants this product to be free from defects in workmanship and material, under normal use and service conditions. The frame is warranted for seven (7) years from the date of purchase. Parts and labor are warranted for ninety (90) days from the date of purchase.

This warranty extends only to the original purchaser. ICON's obligation under this warranty is limited to repairing or replacing, at ICON's option, the product through one of its authorized service centers. All repairs for which warranty claims are made must be preauthorized by ICON. If the product is shipped to a service center, freight charges to and from the service center will be the customer's responsibility. For replacement parts shipped while the product is under warranty, the customer will be responsible for a minimal handling charge. For in-home service, the customer will be responsible for a minimal trip charge. This warranty does not extend to any damage to a product caused by or attributable to freight damage, abuse, misuse, improper or abnormal usage, or repairs not provided by an ICON authorized service center; to products used for commercial or rental purposes or as store display models; or to products transported or purchased outside the US. No other warranty beyond that specifically set forth above is authorized by ICON.

ICON is not responsible or liable for indirect, special, or consequential damages arising out of or in connection with the use or performance of the product; damages with respect to any economic loss, loss of property, loss of revenues or profits, loss of enjoyment or use, or costs of removal or installation; or other consequential damages of whatsoever nature. Some states do not allow the exclusion or limitation of incidental or consequential damages. Accordingly, the above limitation may not apply to you.

The warranty extended hereunder is in lieu of any and all other warranties, and any implied warranties of merchantability or fitness for a particular purpose are limited in their scope and duration to the terms set forth herein. Some states do not allow limitations on how long an implied warranty lasts. Accordingly, the above limitation may not apply to you.

This warranty gives you specific legal rights. You may also have other rights that vary from state to state.

**ICON Health & Fitness, Inc., 1500 S. 1000 W., Logan, UT 84321-9813**