

WESLO[®]

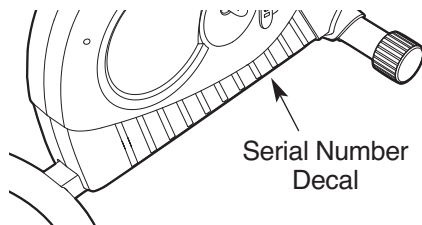
PUR_SUIT U30

www.weslo.com

Model No. WLEX60907.0

Serial No. _____

Write the serial number in the space above for reference.



USER'S MANUAL

QUESTIONS?

If you have questions, or if parts are damaged or missing, **DO NOT CONTACT THE STORE**; please contact Customer Care.

IMPORTANT: Please register this product (see the limited warranty on the back cover of this manual) before contacting Customer Care.

CALL TOLL-FREE:

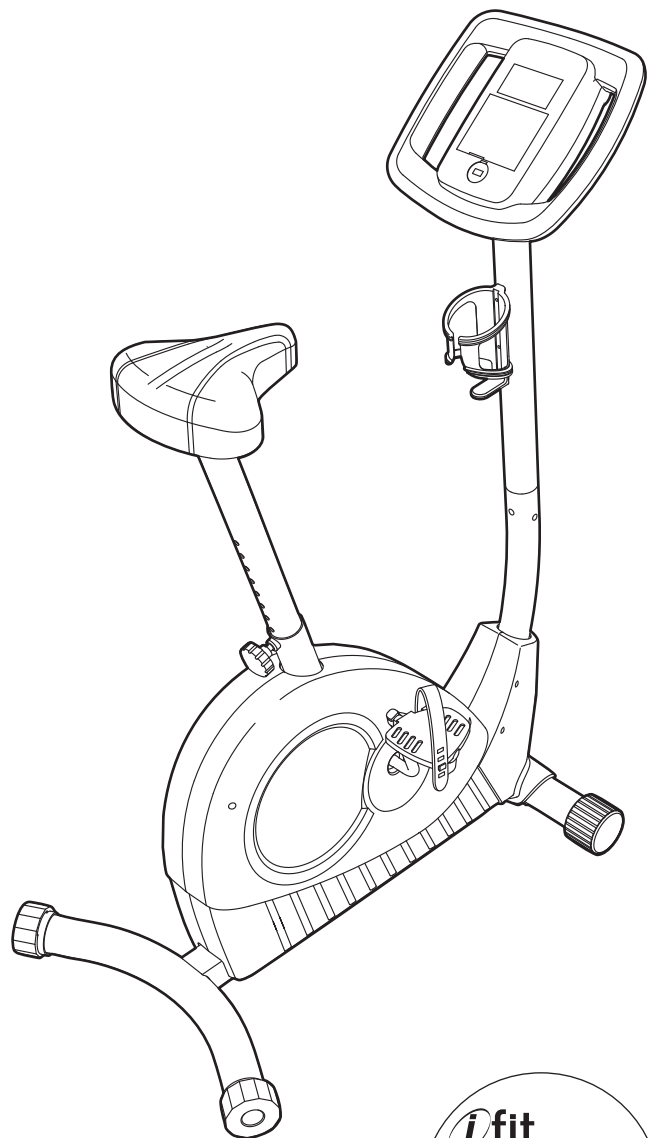
1-866-699-3756

Mon.–Fri. 6 a.m.–6 p.m. MT

Sat. 8 a.m.–4 p.m. MT

ON THE WEB:

www.wesloservice.com



CAUTION

Read all precautions and instructions in this manual before using this equipment. Keep this manual for future reference.

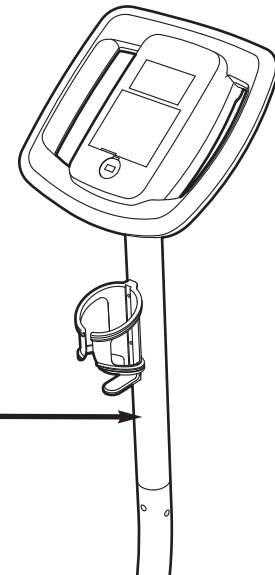
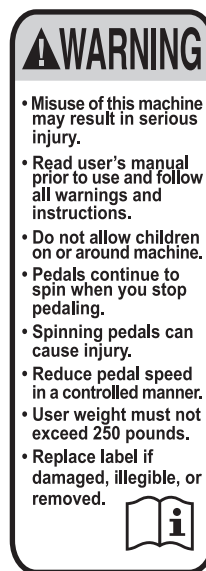


TABLE OF CONTENTS

WARNING DECAL PLACEMENT2
IMPORTANT PRECAUTIONS3
BEFORE YOU BEGIN4
ASSEMBLY5
HOW TO USE THE EXERCISE CYCLE10
MAINTENANCE AND TROUBLESHOOTING15
EXERCISE GUIDELINES16
PART LIST18
EXPLODED DRAWING19
ORDERING REPLACEMENT PARTSBack Cover
LIMITED WARRANTYBack Cover

WARNING DECAL PLACEMENT

This drawing shows the location(s) of the warning decal(s). **If a decal is missing or illegible, see the front cover of this manual and request a free replacement decal. Apply the decal in the location shown.** Note: The decal(s) may not be shown at actual size.



IMPORTANT PRECAUTIONS

⚠ WARNING: To reduce the risk of serious injury, read all important precautions and instructions in this manual and all warnings on your exercise cycle before using your exercise cycle. ICON assumes no responsibility for personal injury or property damage sustained by or through the use of this product.

1. Before beginning any exercise program, consult your physician. This is especially important for persons over age 35 or persons with pre-existing health problems.
2. Use the exercise cycle only as described in this manual.
3. It is the responsibility of the owner to ensure that all users of the exercise cycle are adequately informed of all precautions.
4. The exercise cycle is intended for home use only. Do not use the exercise cycle in a commercial, rental, or institutional setting.
5. Keep the exercise cycle indoors, away from moisture and dust. Place the exercise cycle on a level surface, with a mat beneath it to protect the floor or carpet. Make sure that there is at least 2 ft. (0.6 m) of clearance around your exercise cycle.
6. Inspect and properly tighten all parts regularly. Replace any worn parts immediately.
7. Keep children under age 12 and pets away from the exercise cycle at all times.
8. Wear appropriate clothes while exercising; do not wear loose clothes that could become caught on the exercise cycle. Always wear athletic shoes for foot protection.
9. The exercise cycle should not be used by persons weighing more than 250 lbs. (113 kg).
10. The pulse sensor is not a medical device. Various factors, including the user's movement, may affect the accuracy of heart rate readings. The pulse sensor is intended only as an exercise aid in determining heart rate trends in general.
11. The exercise cycle does not have a free wheel; the pedals will continue to move until the flywheel stops.
12. Always keep your back straight while using the exercise cycle; do not arch your back.
13. Over exercising may result in serious injury or death. If you feel faint or if you experience pain while exercising, stop immediately and cool down.
14. When you stop exercising, allow the pedals to slowly come to a stop.

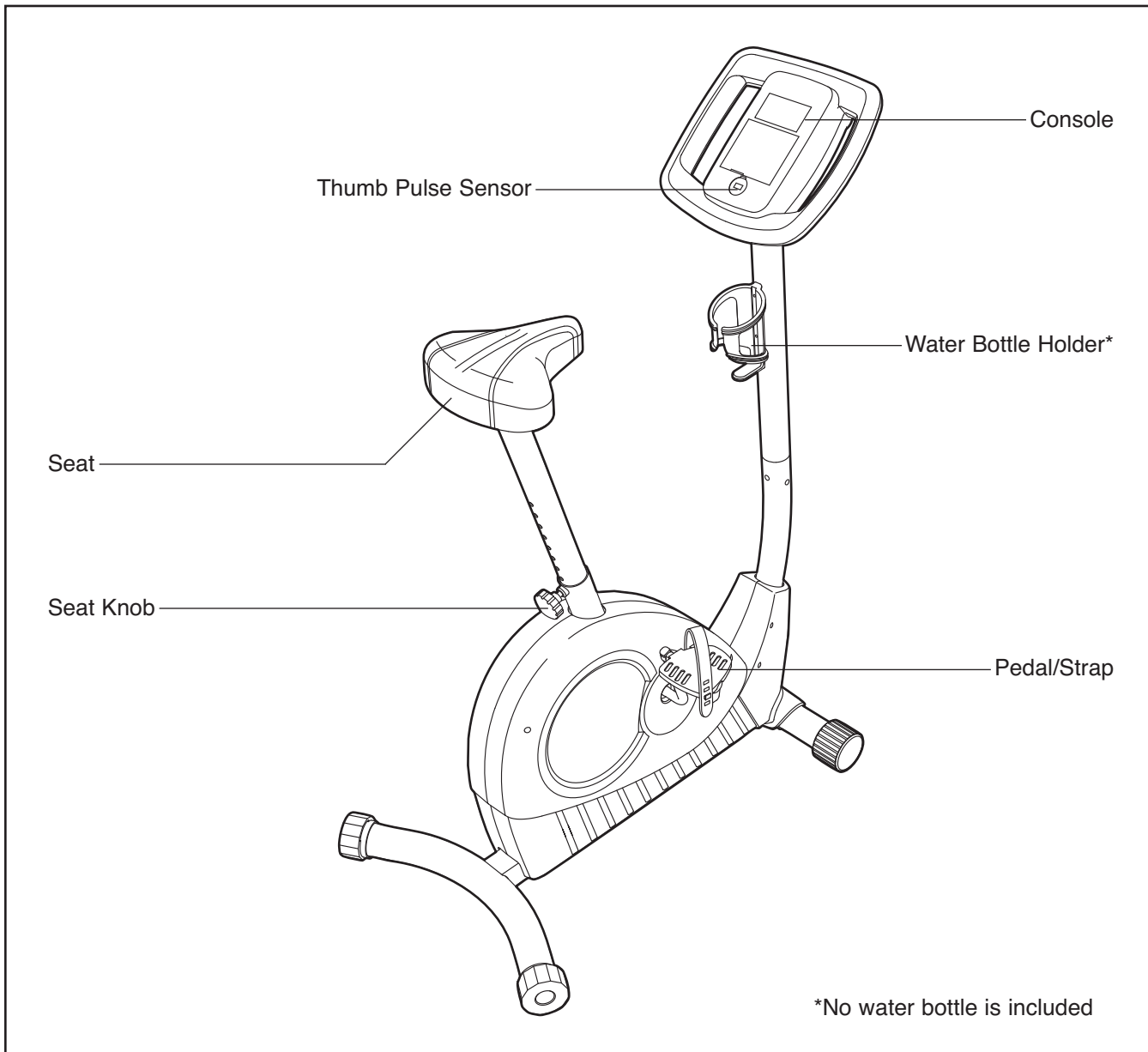
BEFORE YOU BEGIN

Thank you for selecting the new WESLO® PURSUIT U30 exercise cycle. Cycling is an effective exercise for increasing cardiovascular fitness, building endurance, and toning the body. The PURSUIT U30 exercise cycle provides a selection of features designed to make your workouts at home more effective and enjoyable.

For your benefit, read this manual carefully before you use the exercise cycle. If you have questions

after reading this manual, please see the front cover of this manual. To help us assist you, note the product model number and serial number before contacting us. The model number and the location of the serial number decal are shown on the front cover of this manual.

Before reading further, please review the drawing below and familiarize yourself with the labeled parts.



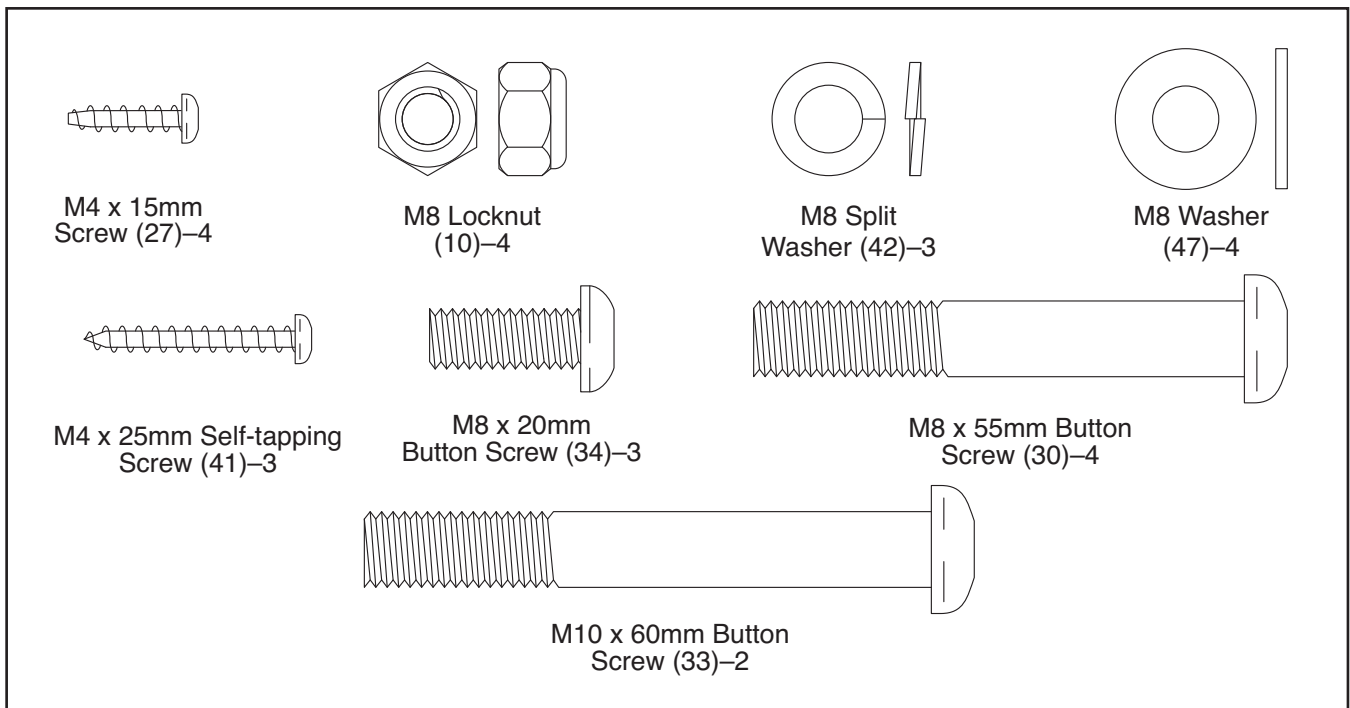
ASSEMBLY

To hire an authorized service technician to assemble the exercise cycle, call 1-800-445-2480.

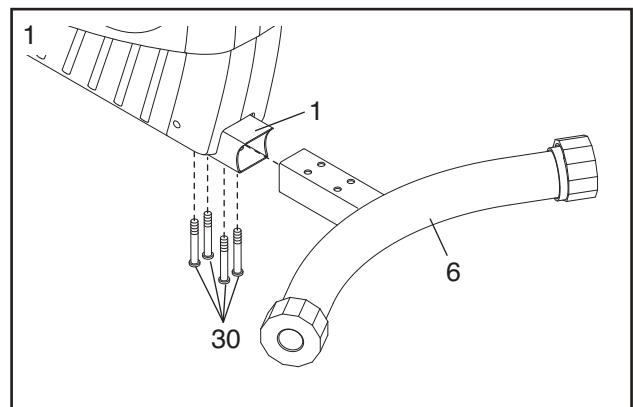
Assembly requires two persons. Place all parts of the exercise cycle in a cleared area and remove the packing materials. Do not dispose of the packing materials until assembly is completed.

In addition to the included tool(s), assembly requires an adjustable wrench  , a Phillips screwdriver  , and pliers  .

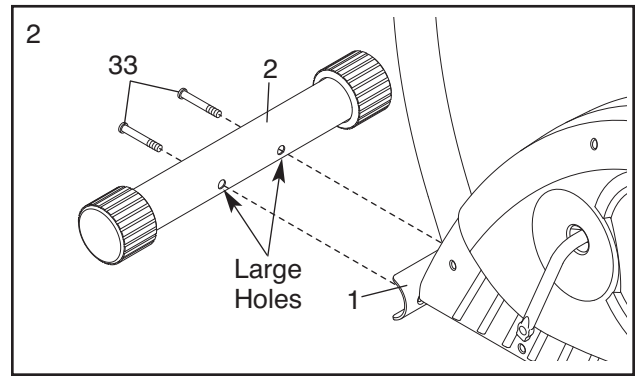
Use the drawings below to identify the small parts used for assembly. The number in parentheses below each drawing is the key number of the part, from the PART LIST near the end of this manual. The number following the key number is the quantity needed for assembly. **Note: If a part is not in the hardware kit, check to see if it has been preassembled.**



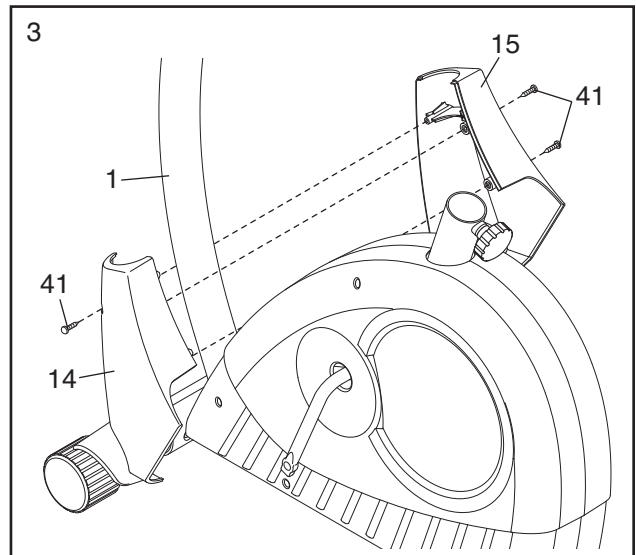
1. Orient the Rear Stabilizer (6) with the “Up” sticker facing upward. Slide the Rear Stabilizer into the Frame (1). Attach the Rear Stabilizer with four M8 x 55mm Button Screws (30).



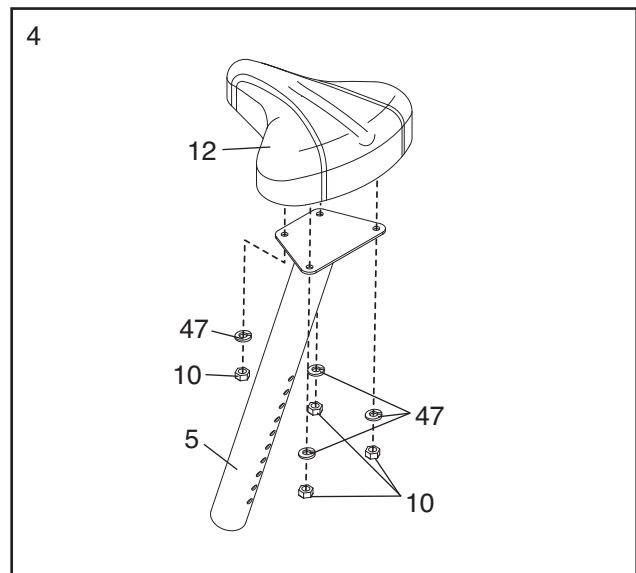
2. Orient the Front Stabilizer (2) with the large holes facing the Frame (1). Attach the Front Stabilizer to the Frame with two M10 x 60mm Button Screws (33).



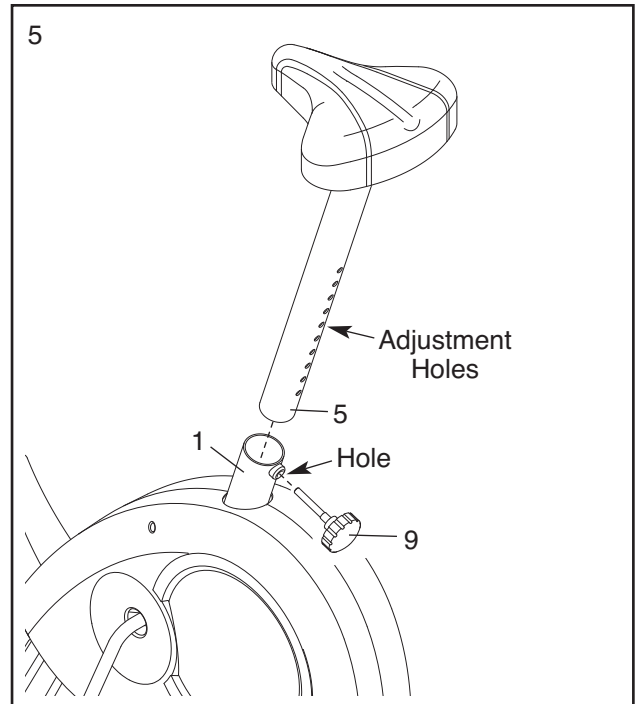
3. Attach the Left and Right Upright Covers (14, 15) around the Frame (1) with three M4 x 25mm Self-tapping Screws (41) as shown.



4. Attach the Seat (12) to the Seat Post (5) with four M8 Washers (47) and four M8 Locknuts (10). **Note: The Washers and the Locknuts may be pre-attached to the underside of the Seat.**

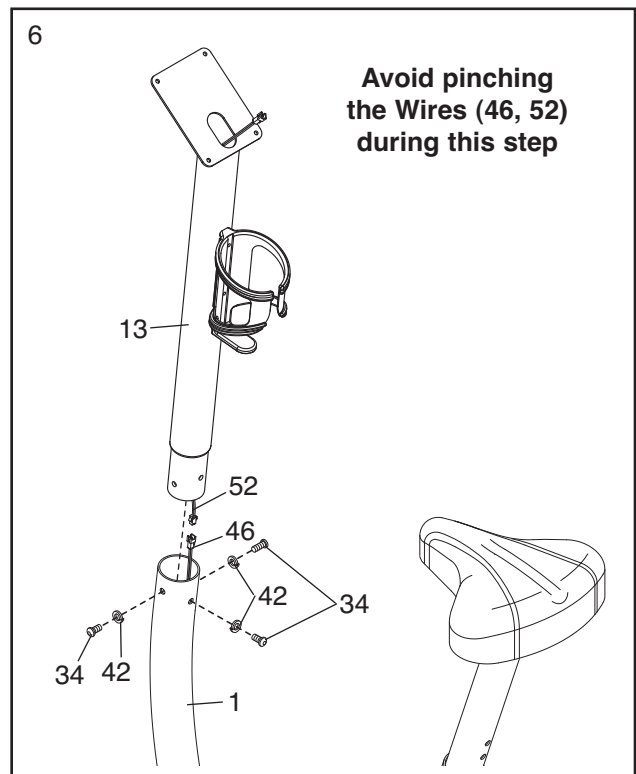


5. Turn the Seat Knob (9) counterclockwise and remove it from the Frame (1). Then, insert the Seat Post (5) into the Frame. Adjust the Seat Post to the desired height and insert the Seat Knob through the indicated hole in the Frame into one of the adjustment holes in the Seat Post. Then, turn the Seat Knob clockwise until it is tight. **Make sure that the Seat Knob is firmly engaged into one of the adjustment holes in the Seat Post.**

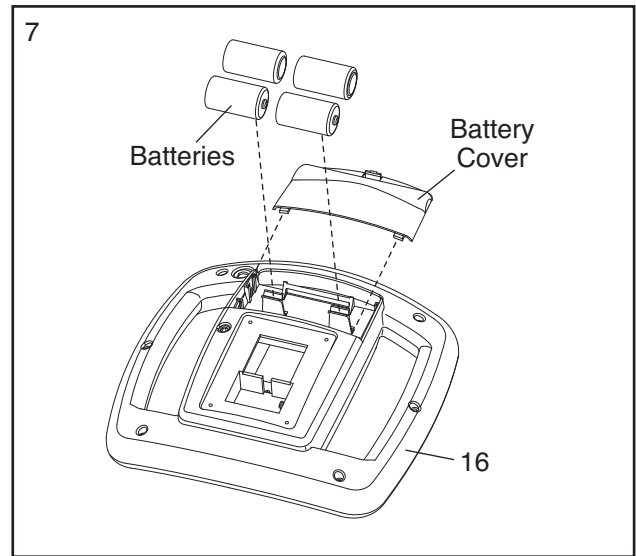


6. While another person holds the Upright (13) near the Frame (1) as shown, connect the Upper Wire (52) to the Lower Wire (46). Then, insert the wires downward into the Frame.

Tip: Avoid pinching the Wires (46, 52) during this step. Insert the Upright (13) into the Frame (1). Attach the Upright with three M8 x 20mm Button Screws (34) and three M8 Split Washers (42).



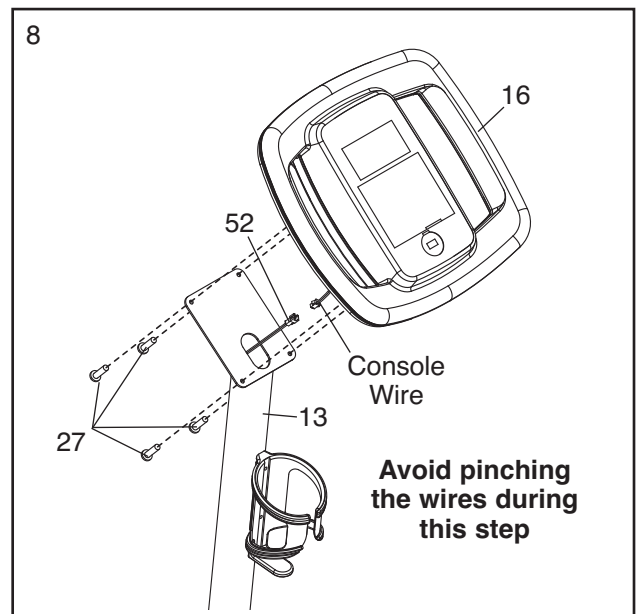
7. The Console (16) requires four 1.5V “D” batteries (not included); alkaline batteries are recommended. **IMPORTANT: If the exercise cycle has been exposed to cold temperatures, allow it to warm to room temperature before inserting batteries into the Console. If you do not do this, the console displays or other electronic components may become damaged.** Press the tab on the battery cover and remove it. Insert four batteries into the Console as shown. **Make sure that the batteries are oriented as shown by the diagram inside the battery compartment.** Then, reattach the battery cover.



8. While a second person holds the Console (16) near the Upright (13), connect the console wire to the Upper Wire (52). Then, insert the wires downward into the Upright.

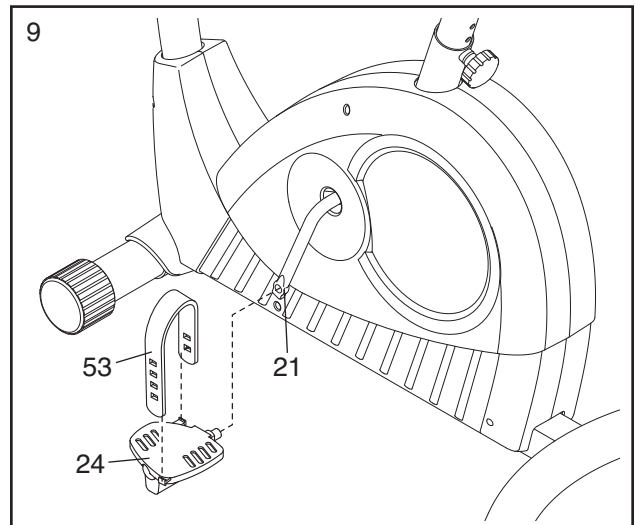
Tip: Avoid pinching the wires during this step.

Attach the Console (16) to the Upright (13) with four M4 x 15mm Screws (27).



9. Identify the Left Pedal (24), which is marked with an “L” sticker. Using an adjustable wrench, **firmly tighten** the Left Pedal *counterclockwise* into the left arm of the Crank (21). Next, tighten the Right Pedal (not shown) *clockwise* into the right arm of the Crank. **IMPORTANT: Tighten both Pedals as firmly as possible. After using the exercise cycle for one week, retighten the Pedals. For best performance, keep the Pedals tightened.**

Press the ends of a Pedal Strap (53) onto the tabs on the Left Pedal (24) as shown. **Attach the other Pedal Strap (not shown) in the same way.**

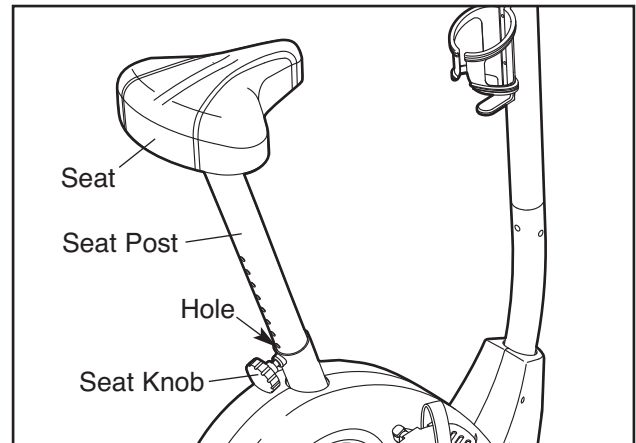


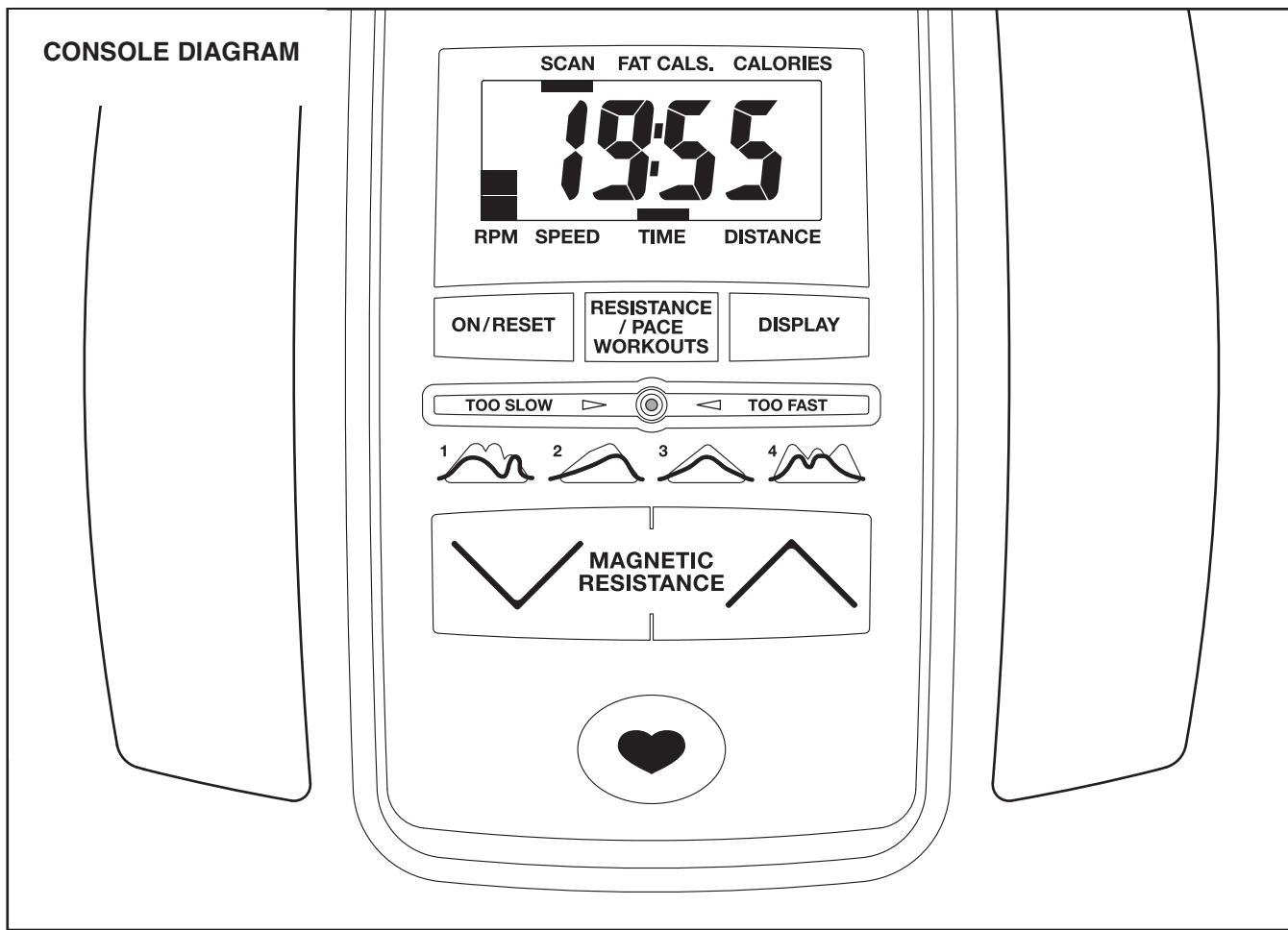
10. **Make sure that all parts are properly tightened before you use the exercise cycle.** Note: After assembly is completed, some extra parts may be left over. Place a mat beneath the exercise cycle to protect the floor.

HOW TO USE THE EXERCISE CYCLE

HOW TO ADJUST THE SEAT POST

For effective exercise, the seat should be at the proper height. As you pedal, there should be a slight bend in your knees when the pedals are in the lowest position. To adjust the height of the seat, first turn the seat knob counterclockwise and remove it. Next, slide the seat post upward or downward and align one of the adjustment holes in the seat post with the indicated hole in the Frame. Insert the seat knob into the frame and the seat post, and turn the seat knob clockwise until it is tight. **Make sure that the seat knob is inserted through one of the adjustment holes in the seat post.**





FEATURES OF THE CONSOLE

The console offers a selection of features designed to make your workouts more effective. As you pedal, the console will provide continuous exercise feedback. When you use the manual mode of the console, you can change the resistance of the pedals with the touch of a button. As you exercise, the console will provide continuous exercise feedback. You can even measure your heart rate using the thumb pulse sensor.

The console also offers four preset workouts that prompt you to vary your pedaling pace while guiding you through an effective workout.

To use the manual mode of the console, see the instructions on page 12. **To use a preset workout,** see page 14.

Note: If there is a sheet of clear plastic on the face of the console, remove the plastic.

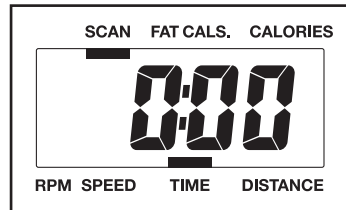
HOW TO USE THE MANUAL MODE

1. Turn on the console.

To turn on the console, press the On/Reset button or begin pedaling. The entire display and the pace guide will light for a moment; the console will then be ready for use.

2. Select the manual mode.

When you turn on the console, the manual mode will be selected. If you have selected a workout, reselect the manual



mode by pressing the Resistance / Pace Workouts button repeatedly until the scan and time indicators appear in the display.

3. Begin pedaling and change the resistance of the pedals as desired.

As you pedal, change the resistance of the pedals by pressing the Magnetic Resistance increase and decrease buttons. There are ten resistance levels. Note: After you press the buttons, it may take a moment for the pedals to reach the selected resistance level.

4. Follow your progress with the display.

The console displays will show the following workout information:

Speed—This display shows your pedaling speed, in miles or kilometers per hour.

Time—This display shows the elapsed time. Note: When a preset workout is selected, the display shows the time remaining in the workout instead of the elapsed time.

Distance—This display shows the distance you have pedaled, in miles or kilometers.

Calories—This display shows the approximate number of calories you have burned.

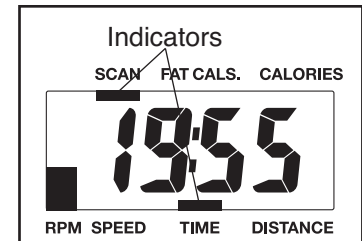
Fat Calories—This display shows the approximate number of fat calories you have burned (see Burning Fat on page 16).

Pulse—This display shows your heart rate when you use the thumb pulse sensor (see step 5 on page 13).

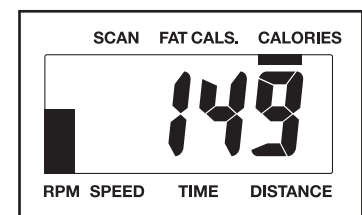
Resistance—The resistance level will appear in the display each time the resistance level changes.

Scan—This display shows the speed, time, distance, calories, fat calories, and pulse displays, for a few seconds each, in a repeating cycle. Note: The pulse display will appear only when you are using the pulse sensor.

When you turn the power on, the scan display will be selected automatically. One indicator will appear below the word Scan to show that the scan display is selected, and a second indicator will show which information is currently displayed. Note: If you have selected a different display option, press the Display button repeatedly to reselect the Scan display.



To select speed, time, distance, calories, or fat calories information for continuous display, press the Display button repeatedly.

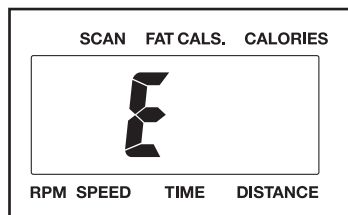


The indicators will show which display is selected. Make sure there is not an indicator below the word Scan.

As you pedal, the RPM meter on the left side of the display will indicate your approximate pedaling pace in revolutions per minute (RPM). The lowest bar on the RPM meter indicates a pedaling pace of 30 rpm. Additional bars will appear in increments of 10 rpm.

Note: The console can show speed and distance in either miles or kilometers. The letters “mph” or “km/h”

will appear in the display to show which unit of measurement is selected. To change the unit of measurement, first hold down the Display button for several seconds. An “E” for English miles or an “M” for metric kilometers will appear in the display. Press the Magnetic Resistance increase button repeatedly until the desired unit of measurement appears in the display. Then, press the Resistance / Pace Workouts button to save your selection.

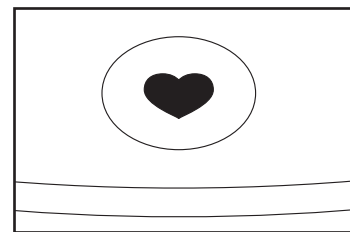


To reset the display, press the On/Reset button.

To pause the console, stop pedaling. When the console is paused, the time will flash in the display. To continue your workout, simply resume pedaling.

5. Measure your heart rate if desired.

To measure your heart rate, **stop pedaling** and place your thumb on the pulse sensor. **Do not press too hard, or the circulation in your**



thumb will be restricted and your pulse will not be detected. After a few seconds, the heart-shaped indicator in the display will flash **steadily**, two dashes will appear, and then your heart rate will be shown. Hold your thumb on the pulse sensor for about 15 seconds for the most accurate reading.

If the displayed heart rate appears to be too high or too low, or if your heart rate is not displayed, lift your thumb off the pulse sensor for a few seconds. Then, place your thumb on the pulse sensor as described above.

Make sure you are applying the proper amount of pressure to the pulse sensor. Try the pulse sensor several times until you become familiar with it. Remember to remain still while measuring your heart rate.

6. When you are finished exercising, the console will turn off automatically.

If the pedals do not move for a few seconds, the time will flash in the display and the console will pause. If the pedals do not move for a few minutes, the console will turn off and the display will be reset.

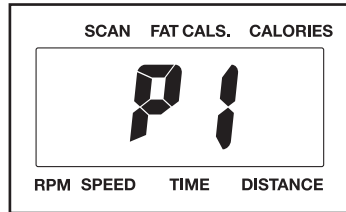
HOW TO USE A PRESET WORKOUT

1. Turn on the console.

See step 1 on page 12.

2. Select a preset program.

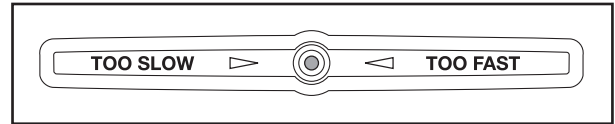
To select a preset program, press the Resistance / Pace Workouts button repeatedly until P1, P2, P3, or P4 appears in the display. A few seconds after you select a preset workout, the display will show the length of the program.



3. Begin pedaling to start the workout.

The preset workouts consist of 20 or 30 one-minute segments. One resistance level and one target pace setting are programmed for each segment. Note: The same resistance level and/or target pace setting may be programmed for consecutive segments.

During the program, the pace guide will prompt you to keep your pedaling pace near the target pace setting for the current segment. When the left indicator lights, increase your pace; when the right indicator lights, decrease your pace. When the center indicator lights, maintain your current pace. **IMPORTANT: The pace guide is intended only to provide a goal. Make sure to pedal at a pace that is comfortable for you.**



The display will show the time remaining in the workout. If you stop pedaling, the workout will pause and the time will flash in the display. To restart the workout, simply resume pedaling.

4. Follow your progress with the display.

See step 4 on page 12.

5. Measure your heart rate if desired.

See step 5 on this page 13.

6. When you are finished exercising, the console will turn off automatically.

See step 6 on this page 13.

MAINTENANCE AND TROUBLESHOOTING

Inspect and tighten all parts of the exercise cycle regularly. Replace any worn parts immediately.

To clean the exercise cycle, use a damp cloth and a small amount of mild detergent. **Important: To avoid damage to the console, keep liquids away from the console and keep the console out of direct sunlight.**

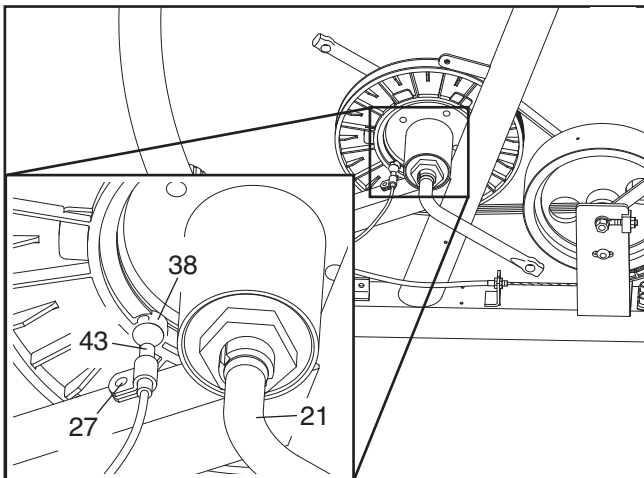
BATTERY REPLACEMENT

If the console display becomes dim, the batteries should be replaced; most console problems are the result of low batteries. To replace the batteries, see assembly step 7 on page 8.

HOW TO ADJUST THE REED SWITCH

If the console does not display correct feedback, the reed switch should be adjusted. To adjust the reed switch, the left pedal, the upright covers, and the left shield must be removed.

Using an adjustable wrench, turn the left pedal clockwise and remove it. Next, remove the screws from the upright covers and the left shield. Note: One screw from the shield is shorter than the other screws. Make sure to note the correct location of the short screw. Then, carefully remove the upright covers and the left shield.



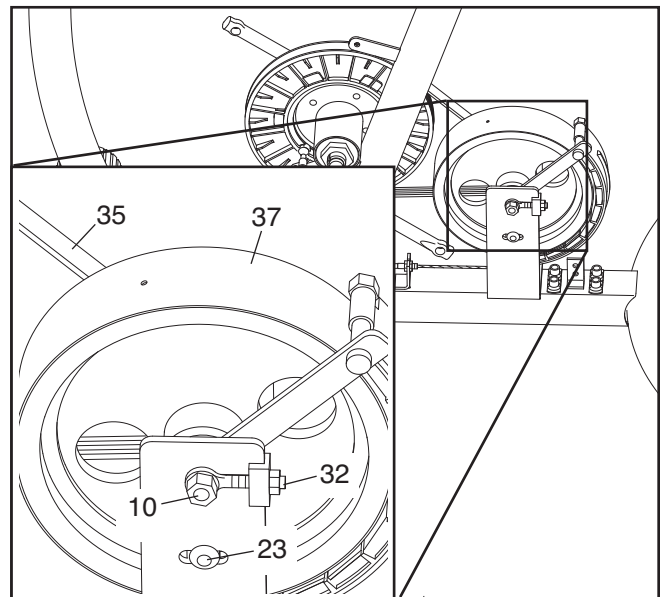
With the left shield removed, locate the Reed Switch (43). Turn the Crank (21) until the Magnet (38) is aligned with the Reed Switch. Loosen, but do not remove, the M4 x 15mm Screw (27). Slide the Reed Switch slightly closer to or away from the Magnet, and then retighten the Screw. Turn the Crank for a moment. Repeat until the console displays correct

feedback. When the Reed Switch is correctly adjusted, reattach the left shield, the upright covers, and the left pedal.

HOW TO ADJUST THE BELT

If you can feel the pedals slip while you are pedaling, even when the resistance is at the highest level, the belt may need to be adjusted. See HOW TO ADJUST THE REED SWITCH at the left and remove the left pedal, the upright covers, and the left shield.

To adjust the belt, you must also remove the right pedal and the right shield. Using an adjustable wrench, turn the right pedal counterclockwise and remove it. Then, remove the screws from the right shield. Note: One screw from the shield is shorter than the other screws. Make sure to note the correct location of the short screw. Then, carefully remove the right shield.



Next, loosen, but do not remove, the M8 x 20mm Bolt (23). Loosen the M8 Locknut (10) on the Flywheel (37). Tighten the M6 Locknuts (32), one on each side of the Flywheel, until the Belt (35) is properly tightened. Then, tighten the M8 Locknut (10) and the M8 x 20mm Bolt (23). Finally, reattach the shields, the upright covers, and the pedals.

EXERCISE GUIDELINES

⚠ WARNING: Before beginning this or any exercise program, consult your physician. This is especially important for persons over age 35 or persons with pre-existing health problems.

The pulse sensor is not a medical device. Various factors may affect the accuracy of heart rate readings. The pulse sensor is intended only as an exercise aid in determining heart rate trends in general.

These guidelines will help you to plan your exercise program. For detailed exercise information, obtain a reputable book or consult your physician. Remember, proper nutrition and adequate rest are essential for successful results.

EXERCISE INTENSITY

Whether your goal is to burn fat or to strengthen your cardiovascular system, exercising at the proper intensity is the key to achieving results. You can use your heart rate as a guide to find the proper intensity level. The chart below shows recommended heart rates for fat burning and aerobic exercise.

165	155	145	140	130	125	115	♥♥
145	138	130	125	118	110	103	♥
125	120	115	110	105	95	90	♥
20	30	40	50	60	70	80	

To find the proper intensity level, find your age at the bottom of the chart (ages are rounded off to the nearest ten years). The three numbers listed above your age define your “training zone.” The lowest number is the heart rate for fat burning, the middle number is the heart rate for maximum fat burning, and the highest number is the heart rate for aerobic exercise.

Burning Fat—To burn fat effectively, you must exercise at a low intensity level for a sustained period of time. During the first few minutes of exercise, your body uses *carbohydrate calories* for energy. Only after the first few minutes of exercise does your body begin to use stored *fat calories* for energy. If your goal is to burn fat, adjust the intensity of your exercise until your heart rate is near the lowest number in your training zone. For maximum fat burning, exercise with your heart rate near the middle number in your training zone.

Aerobic Exercise—If your goal is to strengthen your cardiovascular system, you must perform aerobic exercise, which is activity that requires large amounts of oxygen for prolonged periods of time. For aerobic exercise, adjust the intensity of your exercise until your heart rate is near the highest number in your training zone.

WORKOUT GUIDELINES

Warming Up—Start with 5 to 10 minutes of stretching and light exercise. A warm-up increases your body temperature, heart rate, and circulation in preparation for exercise.

Training Zone Exercise—Exercise for 20 to 30 minutes with your heart rate in your training zone. (During the first few weeks of your exercise program, do not keep your heart rate in your training zone for longer than 20 minutes.) Breathe regularly and deeply as you exercise—never hold your breath.

Cooling Down—Finish with 5 to 10 minutes of stretching. Stretching increases the flexibility of your muscles and helps to prevent post-exercise problems.

EXERCISE FREQUENCY

To maintain or improve your condition, complete three workouts each week, with at least one day of rest between workouts. After a few months of regular exercise, you may complete up to five workouts each week, if desired. Remember, the key to success is to make exercise a regular and enjoyable part of your everyday life.

SUGGESTED STRETCHES

The correct form for several basic stretches is shown at the right. Move slowly as you stretch—never bounce.

1. Toe Touch Stretch

Stand with your knees bent slightly and slowly bend forward from your hips. Allow your back and shoulders to relax as you reach down toward your toes as far as possible. Hold for 15 counts, then relax. Repeat 3 times. Stretches: Hamstrings, back of knees and back.

2. Hamstring Stretch

Sit with one leg extended. Bring the sole of the opposite foot toward you and rest it against the inner thigh of your extended leg. Reach toward your toes as far as possible. Hold for 15 counts, then relax. Repeat 3 times for each leg. Stretches: Hamstrings, lower back and groin.

3. Calf/Achilles Stretch

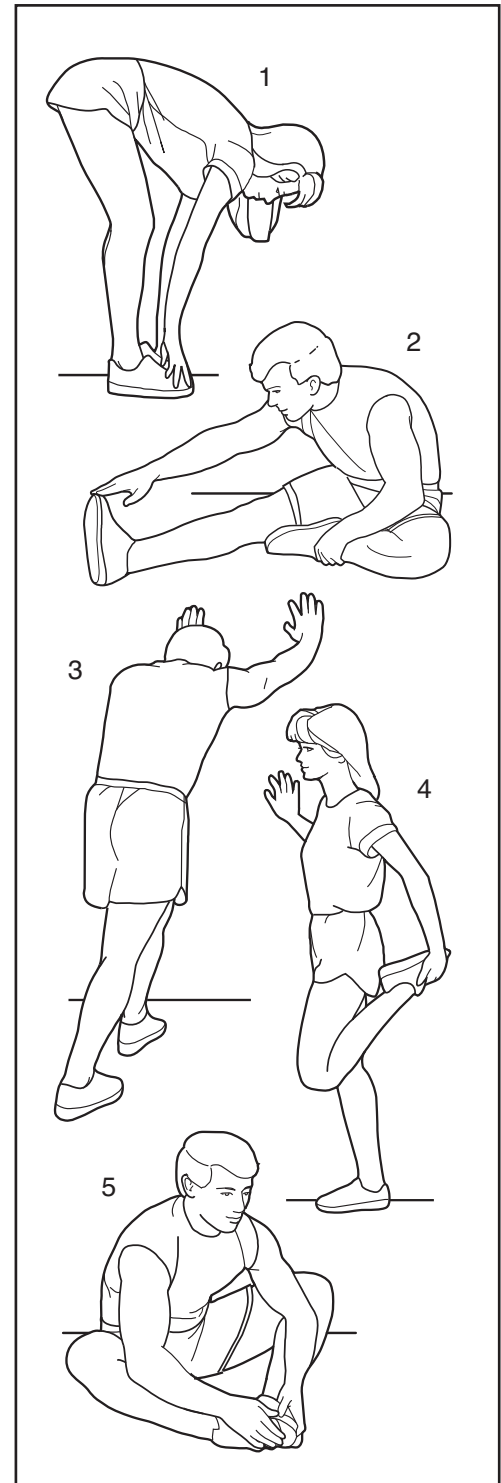
With one leg in front of the other, reach forward and place your hands against a wall. Keep your back leg straight and your back foot flat on the floor. Bend your front leg, lean forward and move your hips toward the wall. Hold for 15 counts, then relax. Repeat 3 times for each leg. To cause further stretching of the achilles tendons, bend your back leg as well. Stretches: Calves, achilles tendons and ankles.

4. Quadriceps Stretch

With one hand against a wall for balance, reach back and grasp one foot with your other hand. Bring your heel as close to your buttocks as possible. Hold for 15 counts, then relax. Repeat 3 times for each leg. Stretches: Quadriceps and hip muscles.

5. Inner Thigh Stretch

Sit with the soles of your feet together and your knees outward. Pull your feet toward your groin area as far as possible. Hold for 15 counts, then relax. Repeat 3 times. Stretches: Quadriceps and hip muscles.



PART LIST—Model No. WLEX60907.0

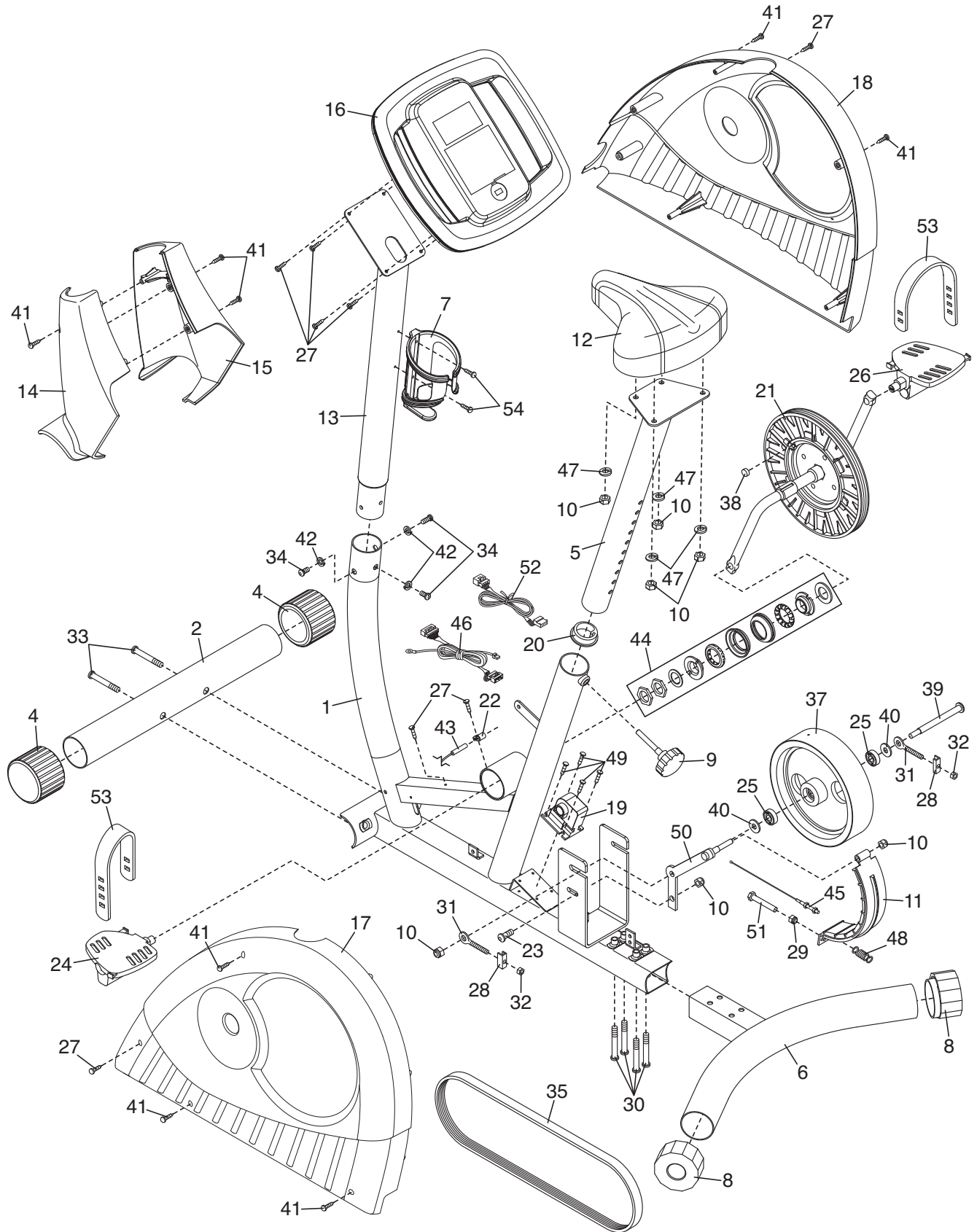
R1109A

Key No.	Qty.	Description	Key No.	Qty.	Description
1	1	Frame	29	1	M6 Nut
2	1	Front Stabilizer	30	4	M8 x 55mm Button Screw
3	—	(Not Used)	31	2	Eyebolt
4	2	Front Stabilizer Cap	32	2	M6 Locknut
5	1	Seat Post	33	2	M10 x 60mm Button Screw
6	1	Rear Stabilizer	34	3	M8 x 20mm Button Screw
7	1	Bottle Holder	35	1	Belt
8	2	Rear Stabilizer Cap	36	—	(Not Used)
9	1	Seat Knob	37	1	Flywheel
10	7	M8 Locknut	38	1	Magnet
11	1	C-magnet	39	1	Flywheel Axle
12	1	Seat	40	2	M10 Small Washer
13	1	Upright	41	8	M4 x 25mm Self-tapping Screw
14	1	Left Upright Cover	42	3	M8 Split Washer
15	1	Right Upright Cover	43	1	Reed Switch/Wire
16	1	Console	44	1	Crank Bearing Set
17	1	Left Shield	45	1	Resistance Cable
18	1	Right Shield	46	1	Lower Wire
19	1	Resistance Motor	47	4	M8 Washer
20	1	Seat Post Bushing	48	1	Spring
21	1	Crank/Pulley	49	4	M4 x 10mm Screw
22	1	Reed Switch Clamp	50	1	Bracket
23	1	M8 x 20mm Bolt	51	1	M6 x 45mm Bolt
24	1	Left Pedal	52	1	Upper Wire
25	2	6000Z Bearing	53	2	Pedal Strap
26	1	Right Pedal	54	2	M4 x 20mm Screw
27	8	M4 x 15mm Screw	*	—	User's Manual
28	2	U-bracket	*	—	Assembly Tool

Note: Specifications are subject to change without notice. For information about ordering replacement parts, see the back cover of this manual. *These parts are not illustrated.

EXPLODED DRAWING—Model No. WLEX60907.0

R1109A



ORDERING REPLACEMENT PARTS

To order replacement parts, please see the front cover of this manual. To help us assist you, be prepared to provide the following information when contacting us:

- the model number and serial number of the product (see the front cover of this manual)
- the name of the product (see the front cover of this manual)
- the key number and description of the replacement part(s) (see the PART LIST and the EXPLODED DRAWING near the end of this manual)

LIMITED WARRANTY

IMPORTANT: You must register this product within 30 days of the purchase date to avoid added fees for service needed under warranty. Go to www.wesloservice.com/registration

ICON Health & Fitness, Inc. (ICON) warrants this product to be free from defects in workmanship and material, under normal use and service conditions. Parts and labor are warranted for ninety (90) days from the date of purchase.

This warranty extends only to the original purchaser. ICON's obligation under this warranty is limited to repairing or replacing, at ICON's option, the product through one of its authorized service centers. All repairs for which warranty claims are made must be preauthorized by ICON. If the product is shipped to a service center, freight charges to and from the service center will be the customer's responsibility. For replacement parts shipped while the product is under warranty, the customer will be responsible for a minimal handling charge. For in-home service, the customer will be responsible for a minimal trip charge. This warranty does not extend to any damage to a product caused by or attributable to freight damage, abuse, misuse, improper or abnormal usage, or repairs not provided by an ICON authorized service center; to products used for commercial or rental purposes or as store display models; or to products transported or purchased outside the US. No other warranty beyond that specifically set forth above is authorized by ICON.

ICON is not responsible or liable for indirect, special, or consequential damages arising out of or in connection with the use or performance of the product; damages with respect to any economic loss, loss of property, loss of revenues or profits, loss of enjoyment or use, or costs of removal or installation; or other consequential damages of whatsoever nature. Some states do not allow the exclusion or limitation of incidental or consequential damages. Accordingly, the above limitation may not apply to you.

The warranty extended hereunder is in lieu of any and all other warranties, and any implied warranties of merchantability or fitness for a particular purpose are limited in their scope and duration to the terms set forth herein. Some states do not allow limitations on how long an implied warranty lasts. Accordingly, the above limitation may not apply to you.

This warranty gives you specific legal rights. You may also have other rights that vary from state to state.

ICON Health & Fitness, Inc., 1500 S. 1000 W., Logan, UT 84321-9813