

WESLO®

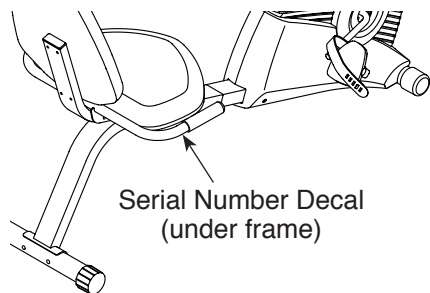
Pursuit G 3.1

www.weslo.com

Model No. WLEX61110.2

Serial No. _____

Write the serial number in the space above for reference.



USER'S MANUAL

QUESTIONS?

If you have questions, or if parts are damaged or missing, **DO NOT CONTACT THE STORE**; please contact Customer Care.

IMPORTANT: Please register this product (see the limited warranty on the back cover of this manual) before contacting Customer Care.

CALL TOLL-FREE:

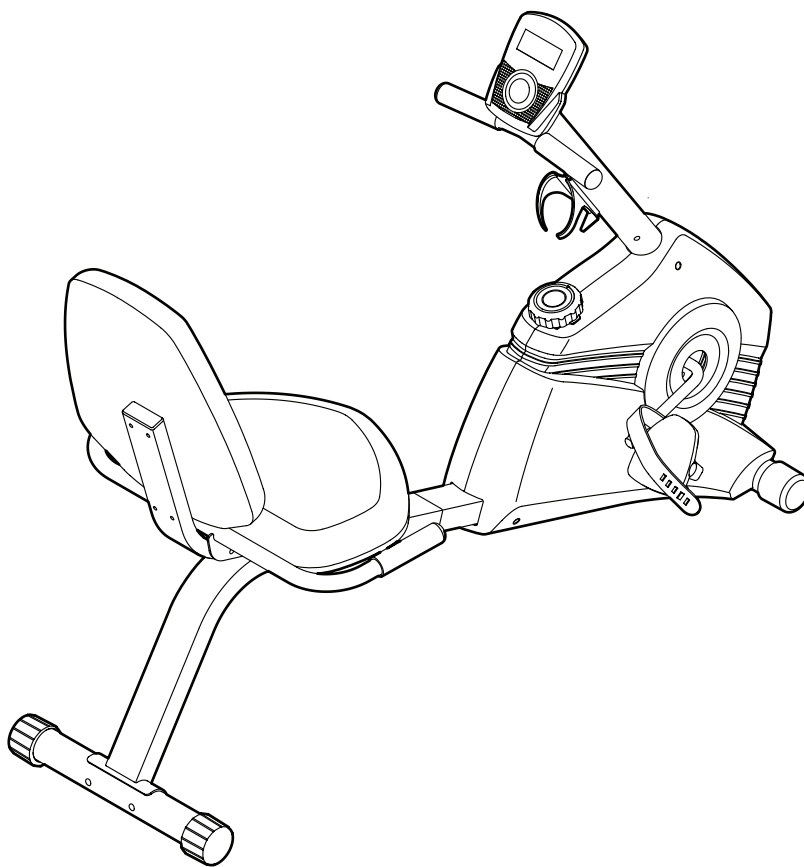
1-866-699-3756

Mon.–Fri., 6 a.m.–6 p.m. MT

Sat. 8 a.m.–4 p.m. MT

ON THE WEB:

www.wesloservice.com



CAUTION

Read all precautions and instructions in this manual before using this equipment. Keep this manual for future reference.

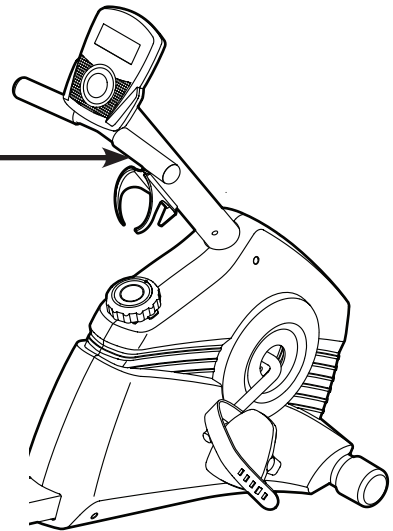
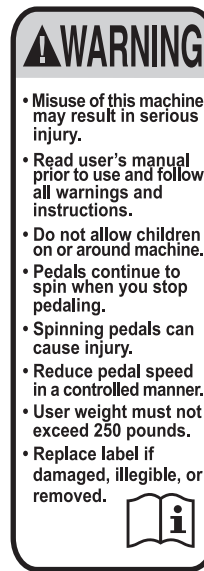


TABLE OF CONTENTS

WARNING DECAL PLACEMENT	2
IMPORTANT PRECAUTIONS	3
BEFORE YOU BEGIN	4
PART IDENTIFICATION CHART	5
ASSEMBLY	6
HOW TO USE THE EXERCISE BIKE	11
MAINTENANCE AND TROUBLESHOOTING	14
EXERCISE GUIDELINES	16
FCC INFORMATION	17
PART LIST	18
EXPLODED DRAWING	19
ORDERING REPLACEMENT PARTS	Back Cover
LIMITED WARRANTY	Back Cover

WARNING DECAL PLACEMENT

This drawing shows the location(s) of the warning decal(s). **If a decal is missing or illegible, see the front cover of this manual and request a free replacement decal. Apply the decal in the location shown.** Note: The decal(s) may not be shown at actual size.



IMPORTANT PRECAUTIONS

⚠️ WARNING: To reduce the risk of serious injury, read all important precautions and instructions in this manual and all warnings on your exercise bike before using your exercise bike. ICON assumes no responsibility for personal injury or property damage sustained by or through the use of this product.

1. Before beginning any exercise program, consult your physician. This is especially important for persons over age 35 or persons with pre-existing health problems.
2. Use the exercise bike only as described in this manual.
3. It is the responsibility of the owner to ensure that all users of the exercise bike are adequately informed of all precautions.
4. The exercise bike is intended for home use only. Do not use the exercise bike in a commercial, rental, or institutional setting.
5. Keep the exercise bike indoors, away from moisture and dust. Do not put the exercise bike in a garage or covered patio, or near water.
6. Place the exercise bike on a level surface with at least 2 ft. (0.6 m) of clearance around the exercise bike. To protect the floor or carpet from damage, place a mat under the exercise bike.
7. Inspect and properly tighten all parts regularly. Replace any worn parts immediately.
8. Keep children under age 12 and pets away from the exercise bike at all times.
9. Wear appropriate clothes while exercising; do not wear loose clothes that could become caught on the exercise bike. Always wear athletic shoes for foot protection.
10. The exercise bike should not be used by persons weighing more than 250 lbs. (113 kg).
11. Always keep your back straight while using the exercise bike; do not arch your back.
12. Over exercising may result in serious injury or death. If you feel faint or if you experience pain while exercising, stop immediately and cool down.

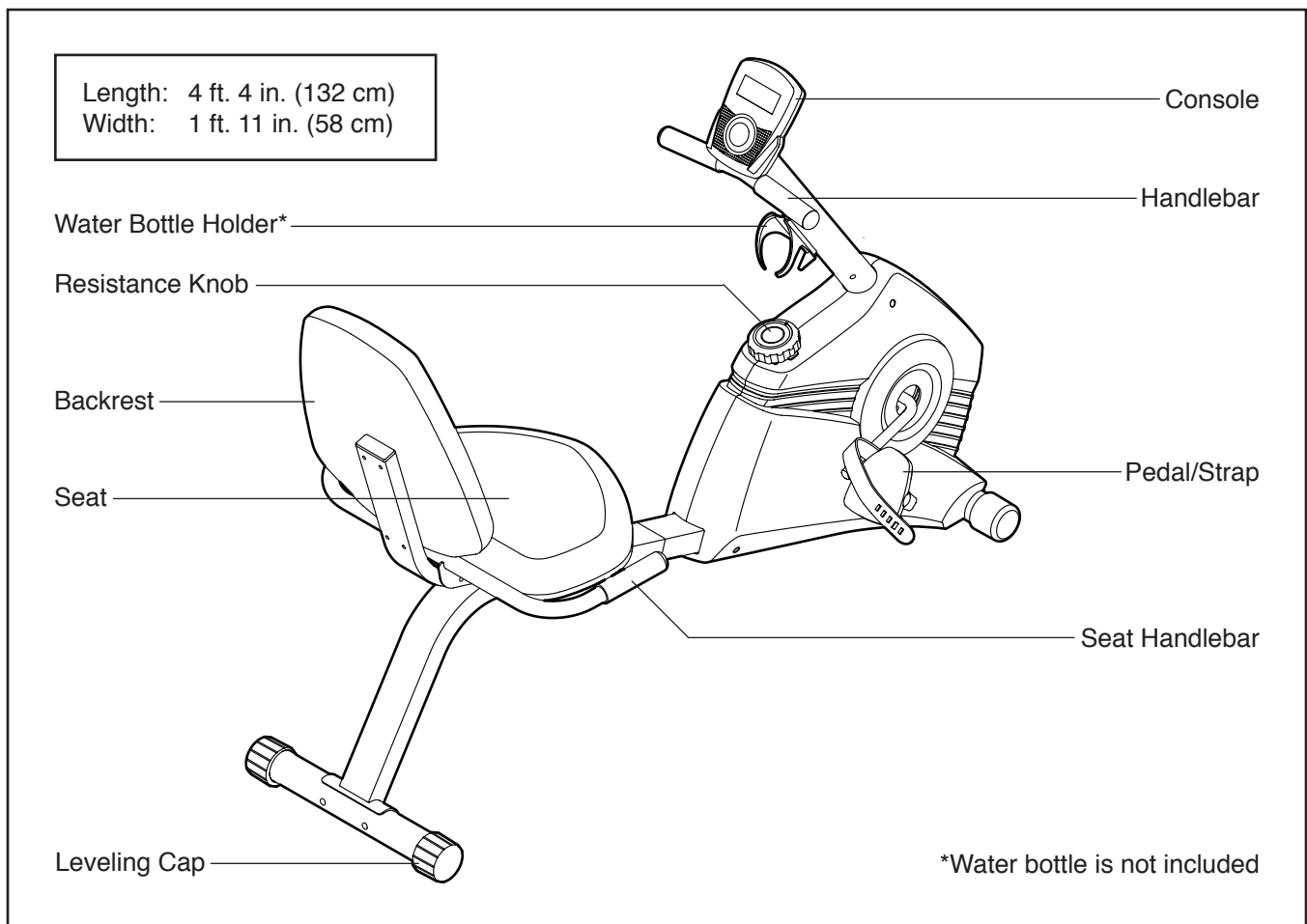
BEFORE YOU BEGIN

Thank you for selecting the WESLO® PURSUIT G 3.1 exercise bike. The PURSUIT G 3.1 exercise bike provides a selection of features designed to make your workouts at home more effective and enjoyable.

For your benefit, read this manual carefully before you use the exercise bike. If you have questions after reading this manual, please see the front cover of this

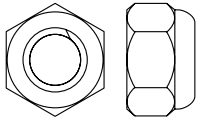
manual. To help us assist you, note the product model number and serial number before contacting us. The model number and the location of the serial number decal are shown on the front cover of this manual.

Before reading further, please familiarize yourself with the parts that are labeled in the drawing below.

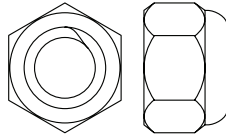


PART IDENTIFICATION CHART

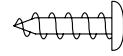
Use the drawings below to identify the small parts needed for assembly. The number in parentheses below each drawing is the key number of the part, from the PART LIST near the end of this manual. The number following the key number is the quantity needed for assembly. **Note: If a part is not in the hardware kit, check to see if it has been preassembled. Extra parts may be included.**



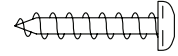
M8 Locknut
(35)-2



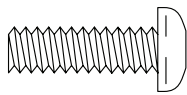
M10 Locknut
(45)-2



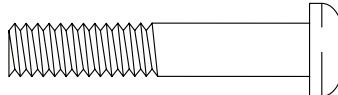
M4 x 13mm
Truss Screw
(42)-4



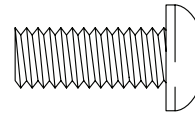
M4 x 19mm
Screw (49)-2



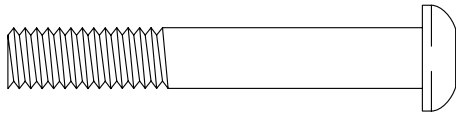
M6 x 20mm
Screw (47)-4



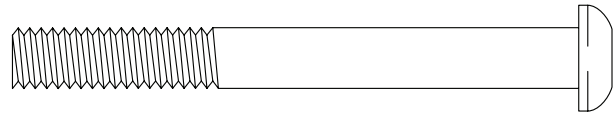
M6 x 40mm Screw (48)-4



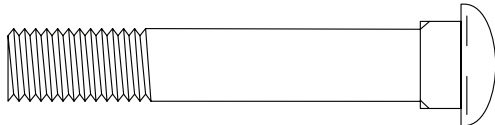
M8 x 20mm
Screw (40)-7



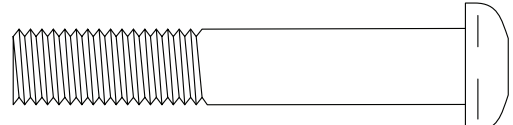
M8 x 55mm Screw (46)-2



M8 x 75mm Bolt (39)-2



M10 x 60mm Carriage Bolt (28)-2



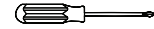
M10 x 60mm Screw (44)-2

ASSEMBLY

- Assembly requires two persons.
- Place all parts in a cleared area and remove the packing materials. Do not dispose of the packing materials until you complete all assembly steps.
- To identify small parts, see page 5.

- In addition to the included tool(s), assembly requires the following tools:

one Phillips screwdriver



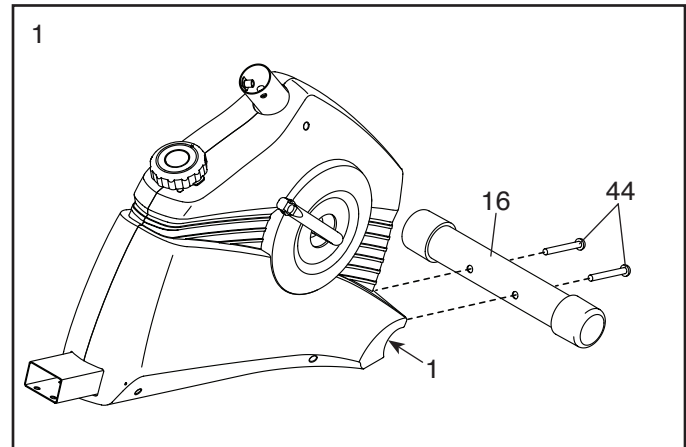
one adjustable wrench



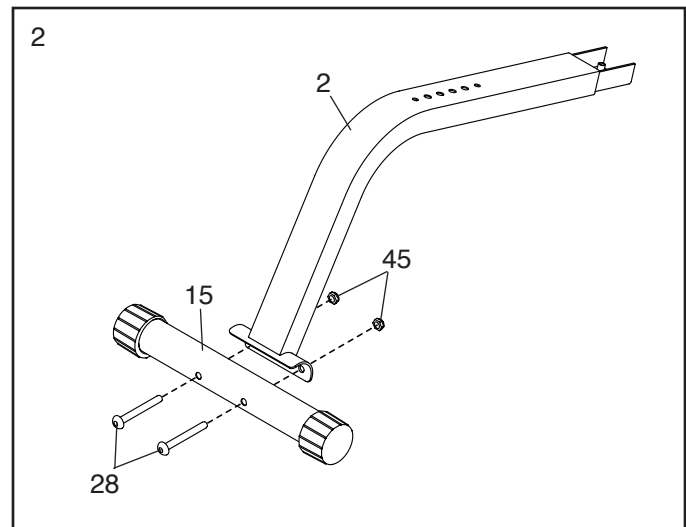
Assembly may be easier if you have your own set of wrenches. To avoid damaging parts, do not use power tools.

1. Identify the Front Stabilizer (16), which is shorter than the Rear Stabilizer (not shown), and orient it as indicated by the sticker.

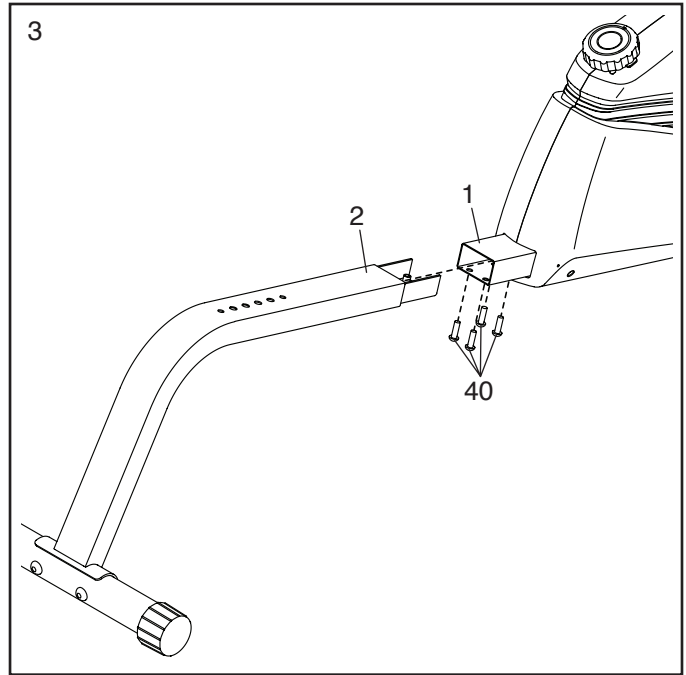
While a second person lifts the front of the Frame (1), attach the Front Stabilizer (16) to the Frame with two M10 x 60mm Screws (44).



2. Attach the Rear Stabilizer (15) to the Seat Frame (2) with two M10 x 60mm Carriage Bolts (28) and two M10 Locknuts (45).

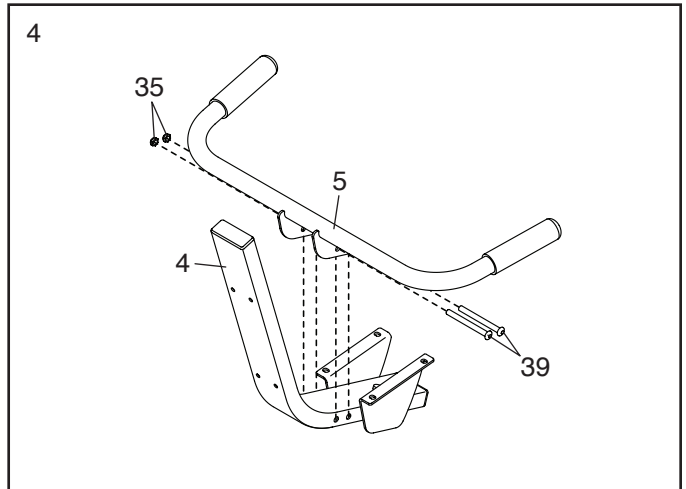


3. Attach the Seat Frame (2) to the Frame (1) with four M8 x 20mm Screws (40).

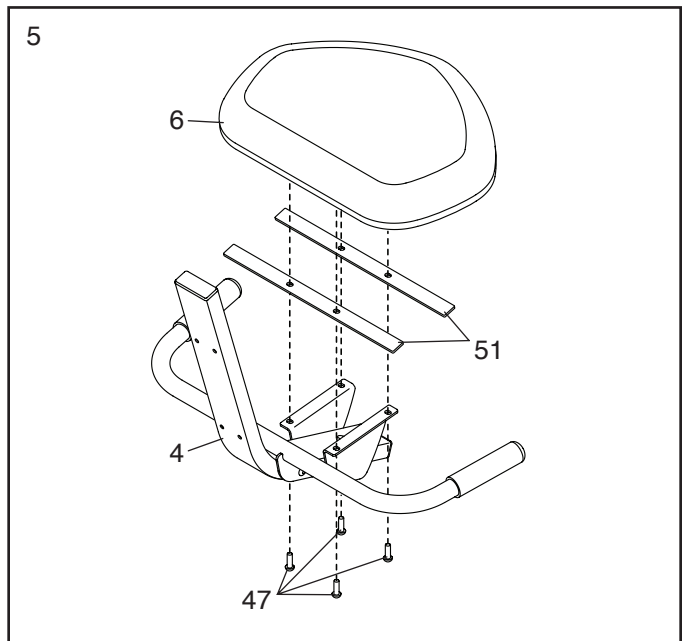


4. Orient the Seat Carriage (4) and the Handlebar (5) as shown.

Attach the Handlebar (5) to the Seat Carriage (4) with two M8 x 75mm Bolts (39) and two M8 Locknuts (35).

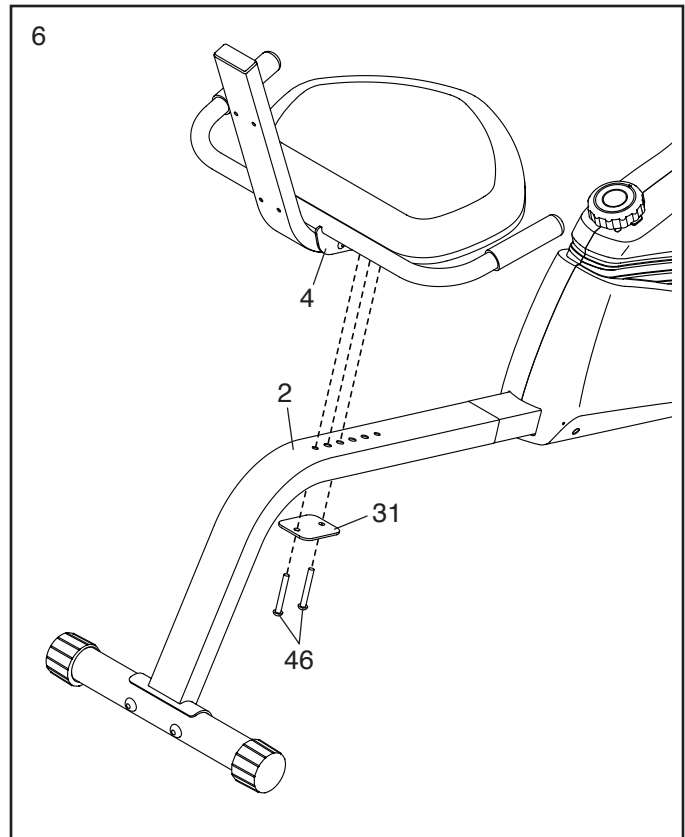


5. Attach the Seat (6) and the two Seat Plates (51) to the Seat Carriage (4) with four M6 x 20mm Screws (47).

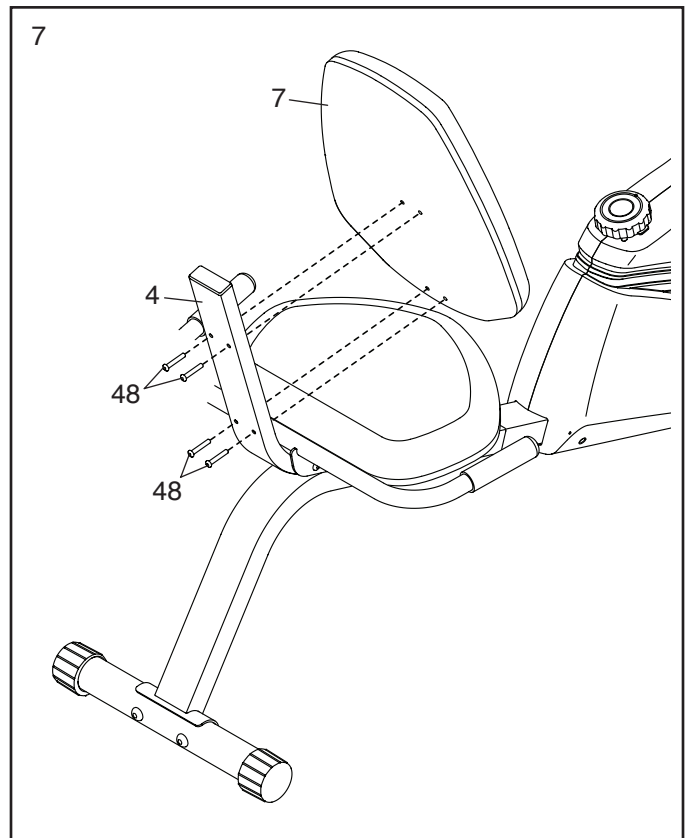


6. Insert the pin on the underside of the Seat Carriage (4) into the desired adjustment hole in the Seat Frame (2).

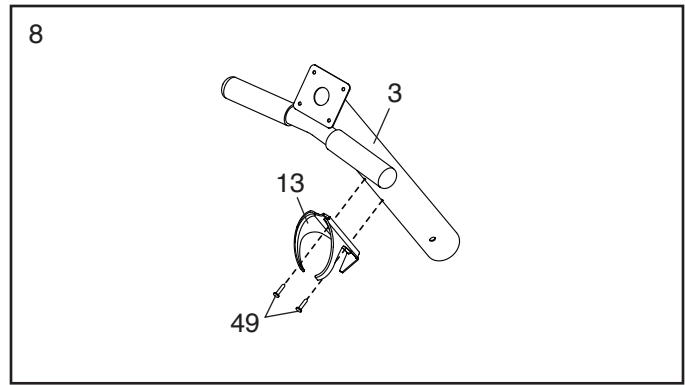
Attach the Seat Carriage (4) to the Seat Frame (2) with the Carriage Plate (31) and two M8 x 55mm Screws (46).



7. Attach the Backrest (7) to the Seat Carriage (4) with four M6 x 40mm Screws (48).



8. Attach the Water Bottle Holder (13) to the Upright (3) with two M4 x 19mm Screws (49).



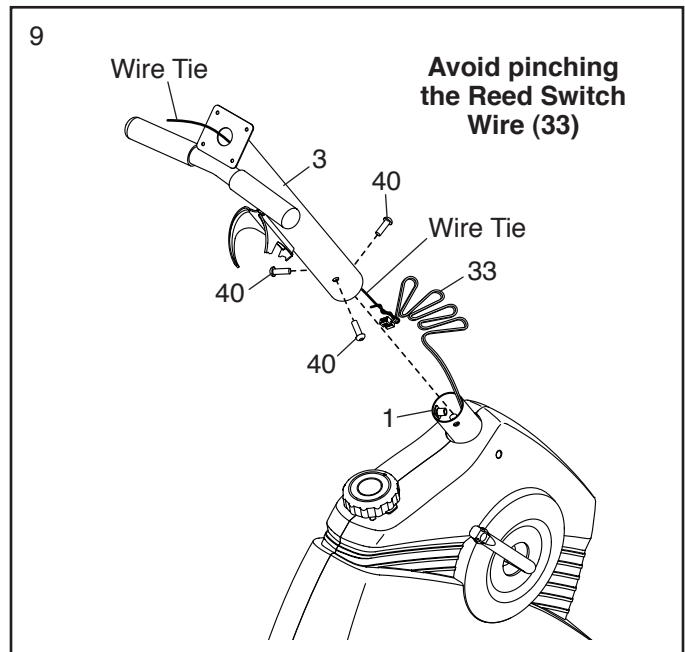
9. Have a second person hold the Upright (3) near the Frame (1).

Locate the wire tie in the Upright (3). Tie the lower end of the wire tie to the Reed Switch Wire (33). Next, pull the upper end of the wire tie upward out of the top of the Upright.

Tip: To prevent the Reed Switch Wire (33) from falling into the Upright (3), secure the Reed Switch Wire with the wire tie.

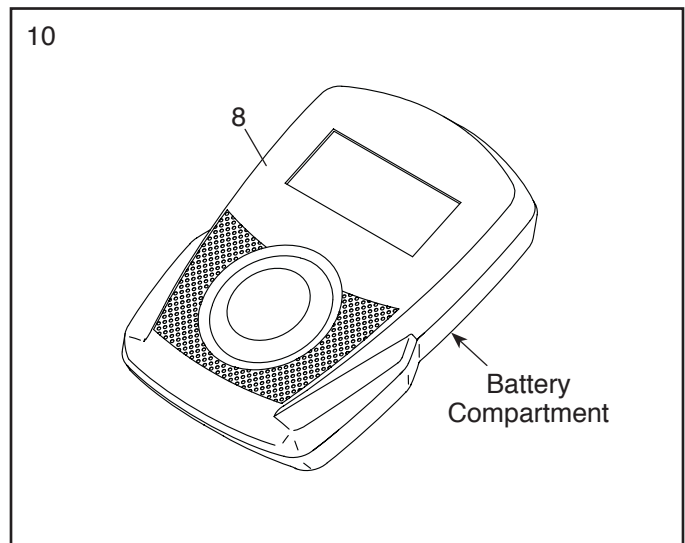
Tip: Avoid pinching the Reed Switch Wire (33). Slide the Upright (3) onto the Frame (1).

Attach the Upright (3) with three M8 x 20mm Screws (40).



10. The Console (8) can use four AA batteries (not included); alkaline batteries are recommended. Do not use old and new batteries together or alkaline, standard, and rechargeable batteries together. **IMPORTANT: If the Console has been exposed to cold temperatures, allow it to warm to room temperature before inserting batteries. Otherwise, you may damage the console or other electronic components.**

Remove the battery cover from the back of the Console (8), and insert batteries into the battery compartment. **Make sure to orient the batteries as shown by the diagram inside the battery compartment.** Then, reattach the battery cover.

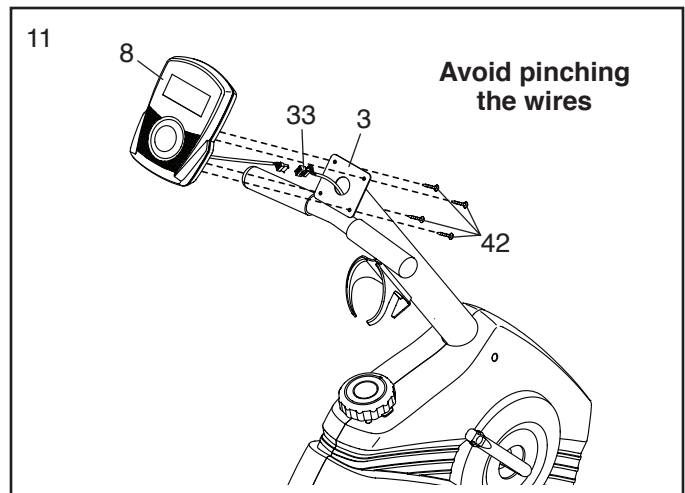


11. Untie and discard the wire tie on the Reed Switch Wire (33).

While a second person holds the Console (8) near the Upright (3), connect the wire on the Console to the Reed Switch Wire (33).

Insert the excess wire into the Upright (3) or into the Console (8).

Tip: Avoid pinching the wires. Attach the Console (8) to the Upright (3) with four M4 x 13mm Truss Screws (42).

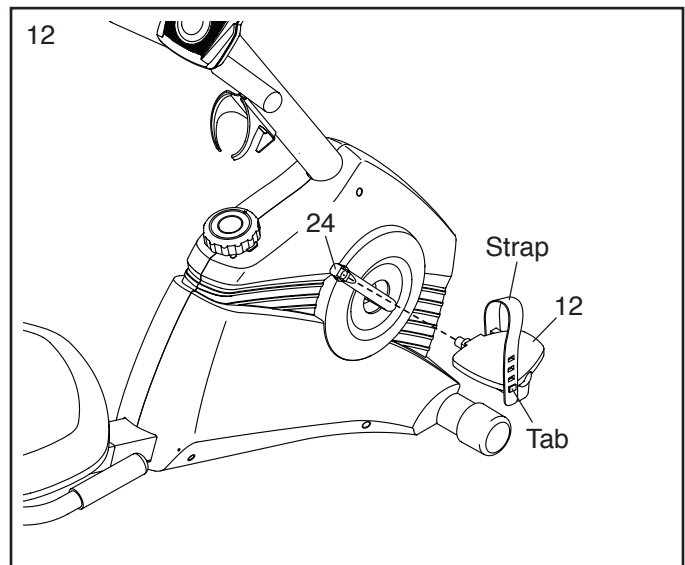


12. Identify the Right Pedal (12), which is marked with an "R."

Using an adjustable wrench, **firmly tighten** the Right Pedal (12) **clockwise** into the right side of the Crank (24).

Firmly tighten the Left Pedal (not shown) **counterclockwise** into the left side of the Crank (not shown).

Adjust the strap on the Right Pedal (12) to the desired position and press the end of the strap onto the tab on the Right Pedal. **Adjust the strap on the Left Pedal (not shown) in the same way.**



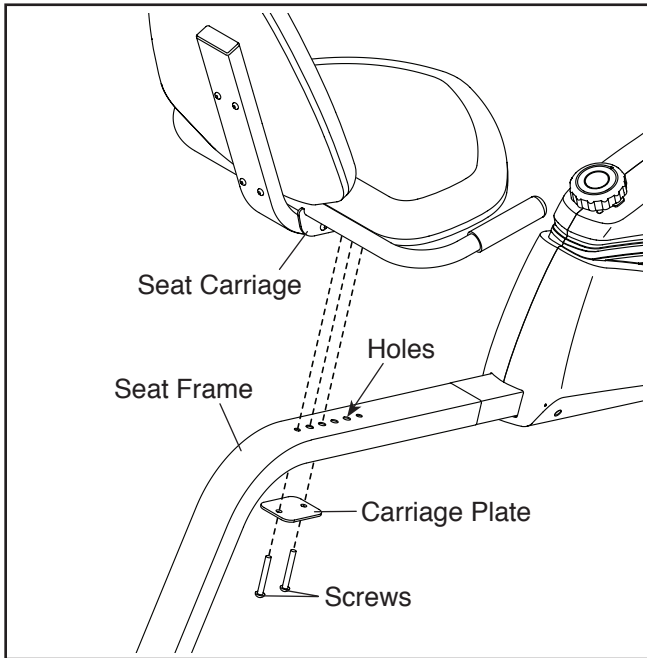
13. **Make sure that all parts are properly tightened before you use the exercise bike.** Note: After assembly is completed, some extra parts may be left over. Place a mat beneath the exercise bike to protect the floor.

HOW TO USE THE EXERCISE BIKE

HOW TO ADJUST THE SEAT

The seat can be adjusted forward or backward to the position that is the most comfortable for you.

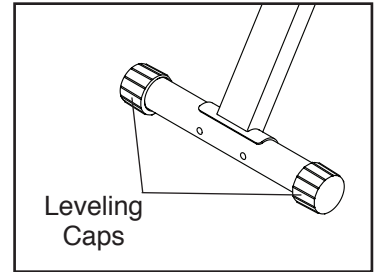
To adjust the seat, first remove the two indicated screws and the carriage plate from the seat frame and the seat carriage.



Next, insert the pin on the underside of the seat carriage into the desired adjustment hole in the seat frame. Then, attach the seat carriage with the screws and the carriage plate.

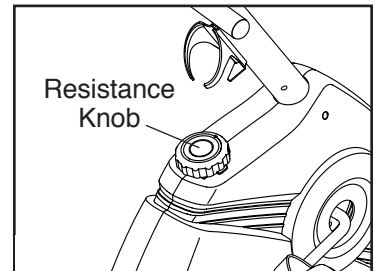
HOW TO LEVEL THE EXERCISE BIKE

If the exercise bike rocks slightly on your floor during use, turn one or both of the leveling caps under the rear stabilizer until the rocking motion is eliminated.



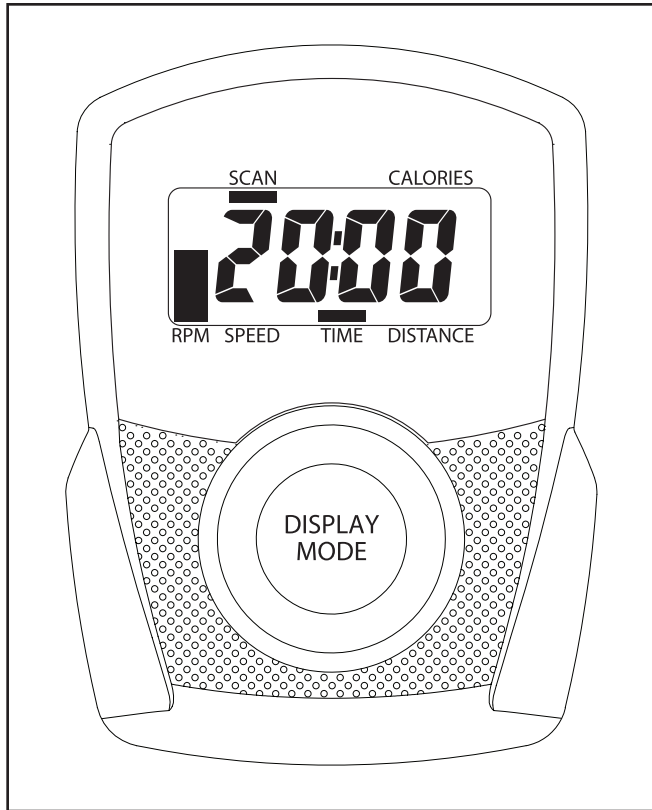
HOW TO ADJUST THE PEDALING RESISTANCE

To increase the resistance of the pedals, turn the resistance knob clockwise; to decrease the resistance, turn the resistance knob counterclockwise.



FEATURES OF THE CONSOLE

The console offers a selection of features designed to make your workouts more effective. As you pedal, the console will provide continuous exercise feedback.



Before using the console, make sure that batteries are installed (see assembly step 10 on page 9). If there is a sheet of plastic on the display, remove the plastic.

HOW TO USE THE CONSOLE

1. Turn on the console.

To turn on the console, press the Display Mode button or begin pedaling. The display will turn on for a moment; the console will then be ready for use.

2. Follow your progress with the display.

The display can show the following workout information:

RPM—The RPM meter on the left side of the display indicates your approximate pedaling pace in revolutions per minute (rpm).

Speed—This mode shows your pedaling speed, in miles per hour (mph) or kilometers per hour (km/h).

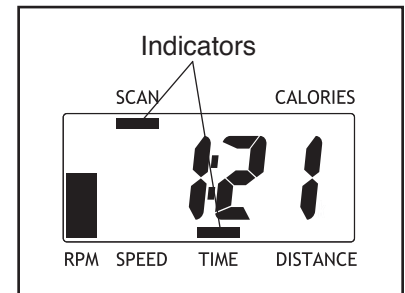
Time—This mode shows the elapsed time.

Distance—This mode shows the distance you have pedaled, in miles or kilometers.

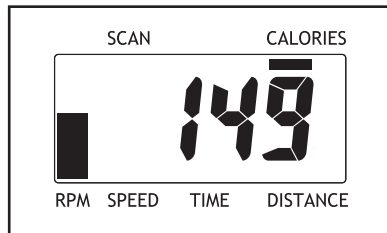
Calories—This mode shows the approximate number of calories you have burned.

Scan—This mode shows the speed, time, distance, and calories modes, for a few seconds each, in a repeating cycle.

When you turn on the console, the scan mode will be selected automatically. One indicator will appear below the word Scan to show that the scan mode is selected, and a second indicator will show which information is currently displayed. Note: If you have selected a different mode, press the Display Mode button repeatedly to reselect the scan mode.



To select the speed, time, distance, or calories mode for continuous display, press the Display Mode button repeatedly. An indicator will show which mode is selected. Make sure that there is not an indicator below the word Scan.



The console can show speed and distance in either miles or kilometers. The letters “mph” or “km/h” will appear in the display to show which unit of measurement is selected.

To change the unit of measurement, first hold down the Display Mode button for a few seconds. The newly selected unit of measurement will appear in the display. Repeat this action to change the unit of measurement again.

Note: When the batteries are replaced, it may be necessary to reselect the desired unit of measurement.

To pause the console, stop pedaling. If the time is displayed, it will flash. To continue your workout, simply resume pedaling.

3. When you are finished exercising, the console will turn off automatically.

If the pedals do not move for a few seconds, the console will pause. If the pedals do not move for a few minutes, the console will turn off and the display will be reset.

MAINTENANCE AND TROUBLESHOOTING

Inspect and tighten all parts of the exercise bike regularly. Replace any worn parts immediately.

To clean the exercise bike, use a damp cloth and a small amount of mild soap. **IMPORTANT: To avoid damage to the console, keep liquids away from the console and keep the console out of direct sunlight.**

CONSOLE TROUBLESHOOTING

Most console problems are the result of low batteries. To replace the batteries, see assembly step 10 on page 9.

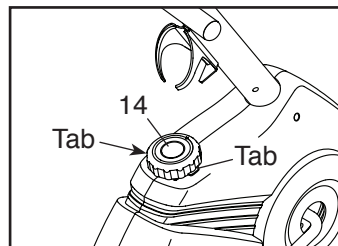
HOW TO ADJUST THE REED SWITCH

If the console does not display correct feedback, the reed switch should be adjusted.

To adjust the reed switch, you must remove the left pedal, the resistance knob cover, and the left shield.

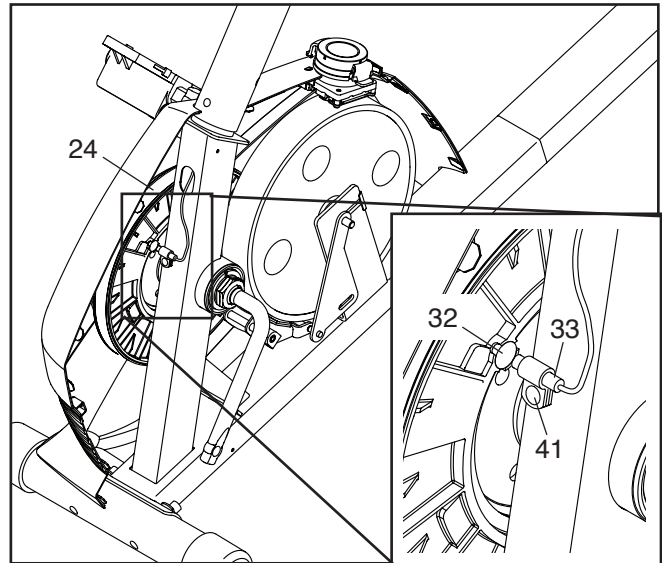
Using an adjustable wrench, turn the left pedal clockwise and remove it.

Press the tabs on the sides of the resistance control and pull the Resistance Knob (14) upward off the resistance control.



See the EXPLODED DRAWING on page 19. Remove the two M4 x 12mm Screws (43) and the three M4 x 16mm Screws (27) from the Left Shield (9). Then, remove the Left Shield.

Locate the Reed Switch (33). Rotate the Pulley (24) until a Magnet (32) is aligned with the Reed Switch. Loosen, but do not remove, the indicated M4 x 16mm Screw (41). Slide the Reed Switch slightly toward or away from the Magnet.



Then, retighten the M4 x 16mm Screw (41). Turn the Pulley (24) for a moment. Repeat these actions until the console displays correct feedback.

When the reed switch is correctly adjusted, reattach the left shield, the resistance knob, and the left pedal.

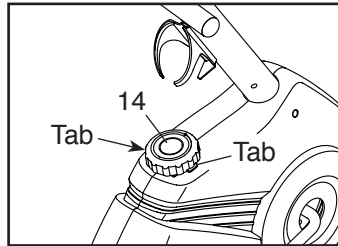
HOW TO ADJUST THE DRIVE BELT

If the pedals slip while you are pedaling, even while the resistance is adjusted to the highest setting, the drive belt may need to be adjusted.

To adjust the drive belt, you must remove the pedals, the resistance knob cover, and the shields.

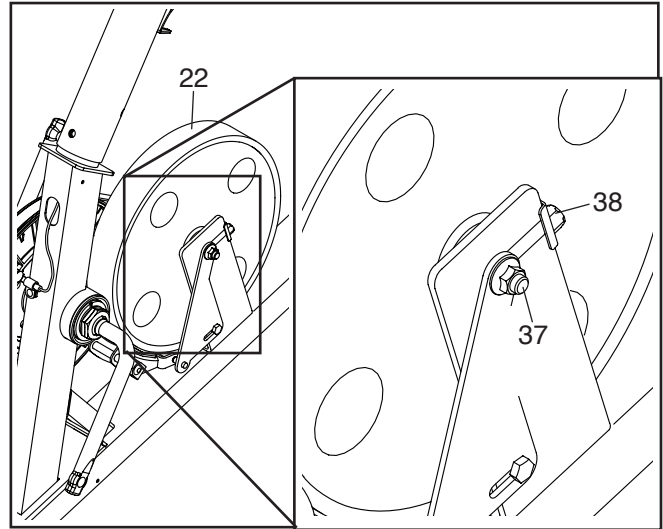
Using an adjustable wrench, turn the left pedal clockwise and remove it. Then, turn the right pedal counterclockwise and remove it.

Press the tabs on the sides of the resistance control and pull the Resistance Control (14) upward off the resistance control.



See the EXPLODED DRAWING on page 19. Remove the four M4 x 12mm Screws (43) and the six M4 x 16mm Screws (27) from the Left and Right Shields (9, 10). Then, remove the Left and Right Shields.

Loosen the two M10 Flange Nuts (37)—one on each side of the Eddy Mech (22). Then, tighten the two M6 Nuts (38) until the Drive Belt (not shown) is tight. When the Drive Belt is tight, tighten the M10 Flange Nuts.



When the drive belt is correctly adjusted, reattach the shields, the resistance knob, and the pedals.

EXERCISE GUIDELINES

⚠️ WARNING: Before beginning this or any exercise program, consult your physician. This is especially important for persons over age 35 or persons with pre-existing health problems.

These guidelines will help you to plan your exercise program. For detailed exercise information, obtain a reputable book or consult your physician. Remember, proper nutrition and adequate rest are essential for successful results.

EXERCISE INTENSITY

Whether your goal is to burn fat or to strengthen your cardiovascular system, exercising at the proper intensity is the key to achieving results. You can use your heart rate as a guide to find the proper intensity level. The chart below shows recommended heart rates for fat burning and aerobic exercise.

165	155	145	140	130	125	115	♥
145	138	130	125	118	110	103	♥
125	120	115	110	105	95	90	♥
20	30	40	50	60	70	80	

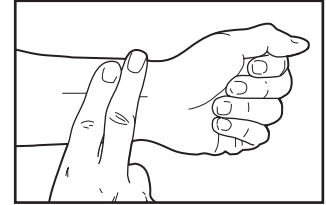
To find the proper intensity level, find your age at the bottom of the chart (ages are rounded off to the nearest ten years). The three numbers listed above your age define your “training zone.” The lowest number is the heart rate for fat burning, the middle number is the heart rate for maximum fat burning, and the highest number is the heart rate for aerobic exercise.

Burning Fat—To burn fat effectively, you must exercise at a low intensity level for a sustained period of time. During the first few minutes of exercise, your body uses carbohydrate calories for energy. Only after the first few minutes of exercise does your body begin to use stored fat calories for energy. If your goal is to burn fat, adjust the intensity of your exercise until your heart rate is near the lowest number in your training zone. For maximum fat burning, exercise with your heart rate near the middle number in your training zone.

Aerobic Exercise—If your goal is to strengthen your cardiovascular system, you must perform aerobic exercise, which is activity that requires large amounts of oxygen for prolonged periods of time. For aerobic exercise, adjust the intensity of your exercise until your heart rate is near the highest number in your training zone.

HOW TO MEASURE YOUR HEART RATE

To measure your heart rate, exercise for at least four minutes. Then, stop exercising and place two fingers on your wrist as shown. Take a six-second heartbeat count, and multiply the result by 10 to find your heart rate. For example, if your six-second heartbeat count is 14, your heart rate is 140 beats per minute.



WORKOUT GUIDELINES

Warming Up—Start with 5 to 10 minutes of stretching and light exercise. A warm-up increases your body temperature, heart rate, and circulation in preparation for exercise.

Training Zone Exercise—Exercise for 20 to 30 minutes with your heart rate in your training zone. (During the first few weeks of your exercise program, do not keep your heart rate in your training zone for longer than 20 minutes.) Breathe regularly and deeply as you exercise—never hold your breath.

Cooling Down—Finish with 5 to 10 minutes of stretching. Stretching increases the flexibility of your muscles and helps to prevent post-exercise problems.

EXERCISE FREQUENCY

To maintain or improve your condition, complete three workouts each week, with at least one day of rest between workouts. After a few months of regular exercise, you may complete up to five workouts each week, if desired. Remember, the key to success is to make exercise a regular and enjoyable part of your everyday life.

FCC INFORMATION

This equipment has been tested and found to comply with the limits for a Class B digital device, pursuant to part 15 of the FCC Rules. These limits are designed to provide reasonable protection against harmful interference in a residential installation. This equipment generates, uses, and can radiate radio frequency energy and, if not installed and used in accordance with the instructions, may cause harmful interference to radio communications. However, there is no guarantee that interference will not occur in a particular installation. If this equipment does cause harmful interference to radio or television reception, which can be determined by turning the equipment off and on, try to correct the interference by one or more of the following measures:

- Reorient or relocate the receiving antenna.
- Increase the separation between the equipment and the receiver.
- Connect the equipment into an outlet on a circuit different from that to which the receiver is connected.
- Consult the dealer or an experienced radio/TV technician for help.

FCC CAUTION: To assure continued compliance, use only shielded interface cables when connecting to computer or peripheral devices. Changes or modifications not expressly approved by the party responsible for compliance could void the user's authority to operate this equipment.

PART LIST

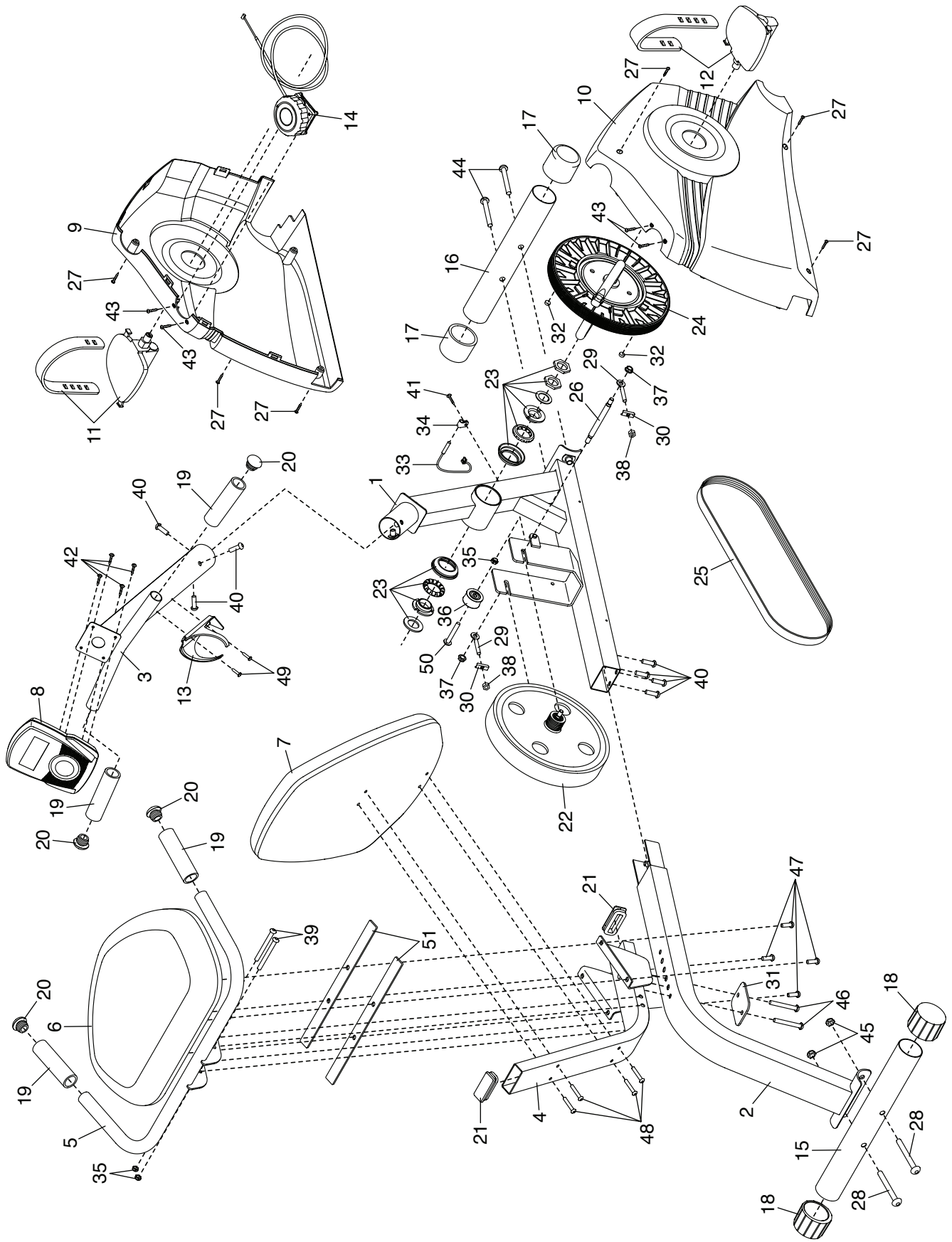
Model No. WLEX61110.2 R0112B

Key No.	Qty.	Description	Key No.	Qty.	Description
1	1	Frame	28	2	M10 x 60mm Carriage Bolt
2	1	Seat Frame	29	2	Eyebolt
3	1	Upright	30	2	Tension Bracket
4	1	Seat Carriage	31	1	Carriage Plate
5	1	Handlebar	32	2	Magnet
6	1	Seat	33	1	Reed Switch/Wire
7	1	Backrest	34	1	Clamp
8	1	Console	35	3	M8 Locknut
9	1	Left Shield	36	1	Idler Pulley
10	1	Right Shield	37	2	M10 Flange Nut
11	1	Left Pedal/Strap	38	2	M6 Nut
12	1	Right Pedal/Strap	39	2	M8 x 75mm Bolt
13	1	Water Bottle Holder	40	7	M8 x 20mm Screw
14	1	Resistance Control/Cable	41	1	M4 x 16mm Screw
15	1	Rear Stabilizer	42	4	M4 x 13mm Truss Screw
16	1	Front Stabilizer	43	4	M4 x 12mm Screw
17	2	Stabilizer Cap	44	2	M10 x 60mm Screw
18	2	Leveling Cap	45	2	M10 Locknut
19	4	Foam Grip	46	2	M8 x 55mm Screw
20	4	Handlebar Cap	47	4	M6 x 20mm Screw
21	2	Carriage Cap	48	4	M6 x 40mm Screw
22	1	Eddy Mech	49	2	M4 x 19mm Screw
23	1	Bearing Assembly	50	1	M8 x 32mm Bolt
24	1	Crank/Pulley	51	2	Seat Plate
25	1	Drive Belt	*	—	Assembly Tool
26	1	Axle	*	—	User's Manual
27	6	M4 x 16mm Screw			

Note: Specifications are subject to change without notice. For information about ordering replacement parts, see the back cover of this manual. *These parts are not illustrated.

EXPLODED DRAWING

Model No. WLEX61110.2 R0112B



ORDERING REPLACEMENT PARTS

To order replacement parts, please see the front cover of this manual. To help us assist you, be prepared to provide the following information when contacting us:

- the model number and serial number of the product (see the front cover of this manual)
- the name of the product (see the front cover of this manual)
- the key number and description of the replacement part(s) (see the PART LIST and the EXPLODED DRAWING near the end of this manual)

LIMITED WARRANTY

IMPORTANT: You must register this product within 30 days of the purchase date to avoid added fees for service needed under warranty. Go to www.wesloservice.com/registration.

ICON Health & Fitness, Inc. (ICON) warrants this product to be free from defects in workmanship and material, under normal use and service conditions. Parts and labor are warranted for ninety (90) days from the date of purchase.

This warranty extends only to the original purchaser (customer). ICON's obligation under this warranty is limited to repairing or replacing, at ICON's option, the product through one of its authorized service centers. All repairs for which warranty claims are made must be preauthorized by ICON. If the product is shipped to a service center, freight charges to and from the service center will be the customer's responsibility. If replacement parts are shipped while the product is under warranty, the customer will be responsible for a minimal handling charge. For in-home service, the customer will be responsible for a minimal trip charge. This warranty does not extend to freight damage to the product. This warranty will automatically be voided if the product is used as a store display model, if the product is purchased or transported outside the USA, if all instructions in this manual are not followed, if the product is abused or improperly or abnormally used, or if the product is used for commercial or rental purposes. No other warranty beyond that specifically set forth above is authorized by ICON.

ICON is not responsible or liable for indirect, special, or consequential damages arising out of or in connection with the use or performance of the product; damages with respect to any economic loss, loss of property, loss of revenues or profits, loss of enjoyment or use, or costs of removal or installation; or other consequential damages of any kind. Some states do not allow the exclusion or limitation of incidental or consequential damages. Accordingly, the above limitation may not apply to the customer.

The warranty extended hereunder is in lieu of any and all other warranties, and any implied warranties of merchantability or fitness for a particular purpose are limited in their scope and duration to the terms set forth herein. Some states do not allow limitations on how long an implied warranty lasts. Accordingly, the above limitation may not apply to the customer.

This warranty provides specific legal rights; the customer may have other rights that vary from state to state.

ICON Health & Fitness, Inc., 1500 S. 1000 W., Logan, UT 84321-9813