

WESLO®

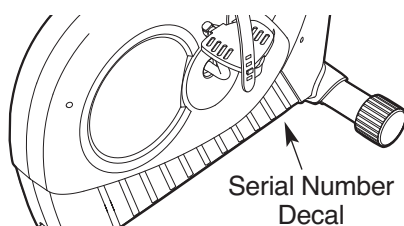
Pursuit G 2.8

www.weslo.com

Model No. WLEX61708.0

Serial No. _____

Write the serial number in the space above for reference.



QUESTIONS?

If you have questions, or if parts are damaged or missing, **DO NOT CONTACT THE STORE**; please contact Customer Care.

IMPORTANT: Please register this product (see the limited warranty on the back cover of this manual) before contacting Customer Care.

CALL TOLL-FREE:

1-866-699-3756

Mon.–Fri., 6 a.m.–6 p.m. MT

Sat. 8 a.m.–4 p.m. MT

ON THE WEB:

www.wesloservice.com

CAUTION

Read all precautions and instructions in this manual before using this equipment. Keep this manual for future reference.

USER'S MANUAL

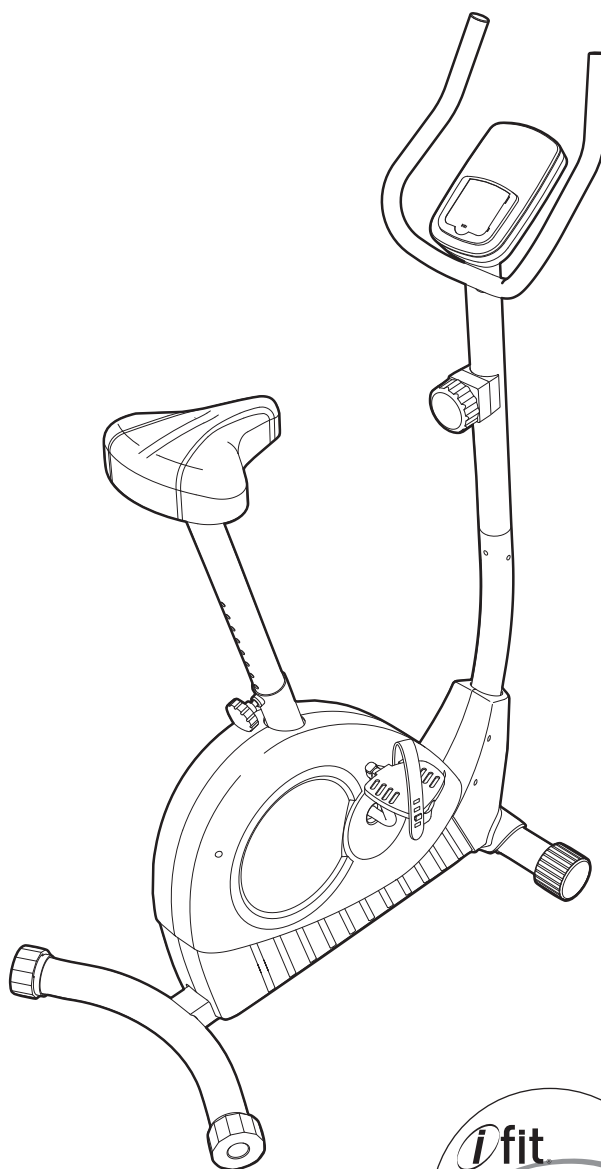


TABLE OF CONTENTS


WARNING DECAL PLACEMENT2
IMPORTANT PRECAUTIONS3
BEFORE YOU BEGIN4
ASSEMBLY5
HOW TO USE THE EXERCISE CYCLE10
MAINTENANCE AND TROUBLESHOOTING14
EXERCISE GUIDELINES15
PART LIST18
EXPLODED DRAWING19
ORDERING REPLACEMENT PARTSBack Cover
LIMITED WARRANTYBack Cover

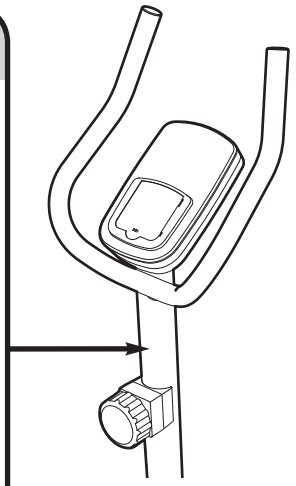
WARNING DECAL PLACEMENT

This drawing shows the location(s) of the warning decal(s). **If a decal is missing or illegible, call the telephone number on the front cover of this manual and request a free replacement decal. Apply the decal in the location shown.** Note: The decal(s) may not be shown at actual size.

⚠ WARNING

- Misuse of this machine may result in serious injury.
- Read user's manual prior to use and follow all warnings and instructions.
- Do not allow children on or around machine.
- Pedals continue to spin when you stop pedaling.
- Spinning pedals can cause injury.
- Reduce pedal speed in a controlled manner.
- User weight must not exceed 250 pounds.
- Replace label if damaged, illegible, or removed.





IMPORTANT PRECAUTIONS

⚠ WARNING: To reduce the risk of serious injury, read all important precautions and instructions in this manual and all warnings on your exercise cycle before using your exercise cycle. ICON assumes no responsibility for personal injury or property damage sustained by or through the use of this product.

1. Before beginning any exercise program, consult your physician. This is especially important for persons over age 35 or persons with pre-existing health problems.
2. It is the responsibility of the owner to ensure that all users of the exercise cycle are adequately informed of all precautions.
3. Your exercise cycle is intended for home use only. Do not use your exercise cycle in a commercial, rental, or institutional setting.
4. Keep your exercise cycle indoors, away from moisture and dust. Place your exercise cycle on a level surface, with a mat beneath it to protect the floor or carpet. Make sure that there is at least 2 ft. (0.6 m) of clearance around your exercise cycle.
5. Inspect and properly tighten all parts regularly. Replace any worn parts immediately.
6. Keep children under age 12 and pets away from your exercise cycle at all times.
7. Your exercise cycle should not be used by persons weighing more than 250 lbs. (113 kg).
8. Wear appropriate exercise clothes while exercising; do not wear loose clothes that could become caught on your exercise cycle. Always wear athletic shoes for foot protection while exercising.
9. When adjusting the seat, insert the seat pin into one of the holes in the seat post. Do not insert the seat pin under the seat post.
10. The pulse sensor is not a medical device. Various factors, including the user's movement, may affect the accuracy of heart rate readings. The pulse sensor is intended only as an exercise aid in determining heart rate trends in general.
11. Keep your back straight while using your exercise cycle; do not arch your back.
12. When you stop exercising, allow the pedals to slowly come to a stop.
13. If you feel pain or dizziness while exercising, stop immediately and cool down.
14. Use your exercise cycle only as described in this manual.

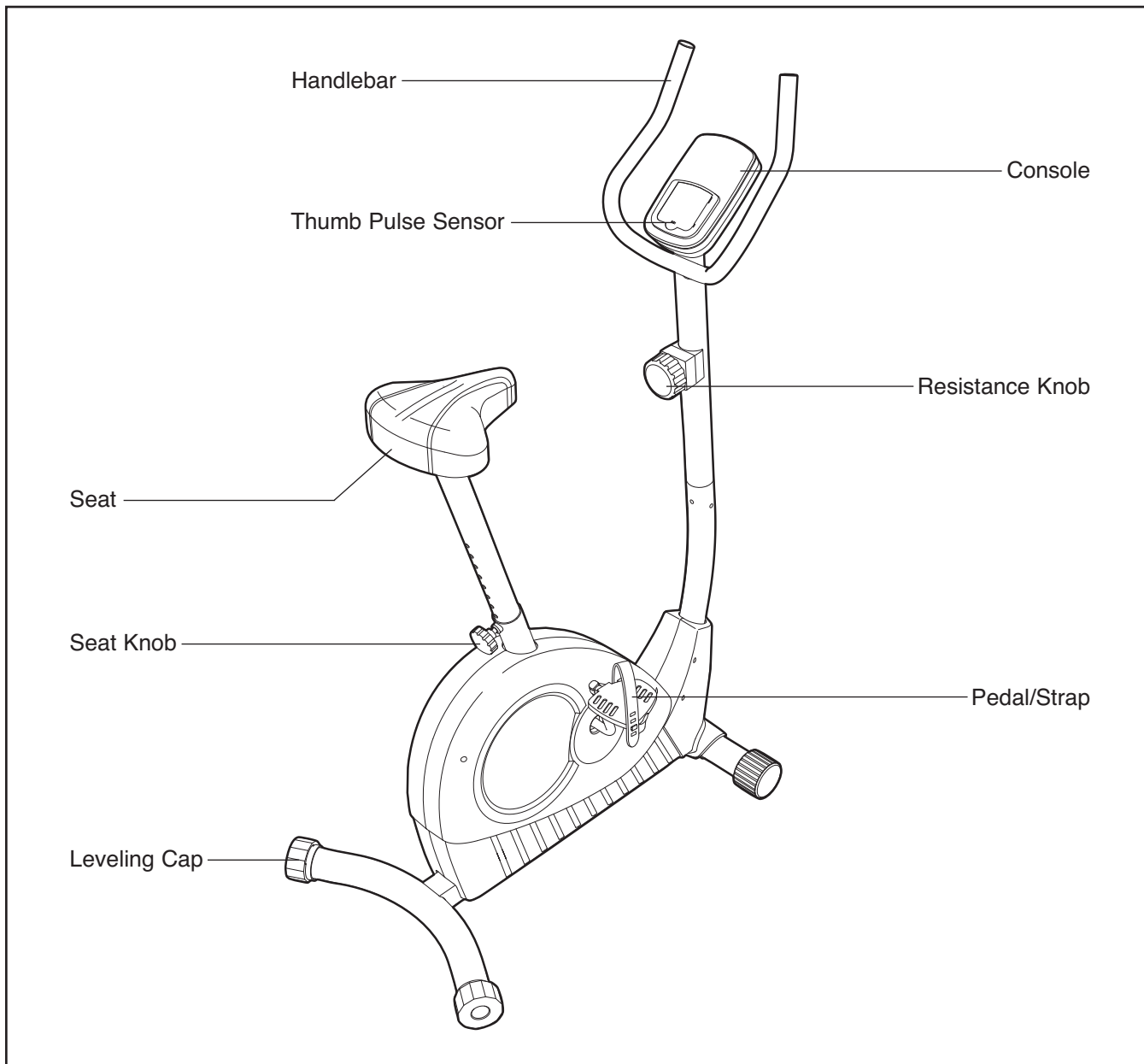
BEFORE YOU BEGIN

Congratulations for selecting the new WESLO® PURSUIT G 2.8 exercise cycle. Cycling is one of the most effective exercises for increasing cardiovascular fitness, building endurance, and toning the body. The PURSUIT G 2.8 exercise cycle offers a selection of features designed to let you enjoy this healthful exercise in the convenience and privacy of your home.

For your benefit, read this manual carefully before you use the exercise cycle. If you have questions

after reading this manual, please see the front cover of this manual. To help us assist you, note the product model number and serial number before contacting us. The model number and the location of the serial number decal are shown on the front cover of this manual.

Before reading further, please review the drawing below and familiarize yourself with the labeled parts.



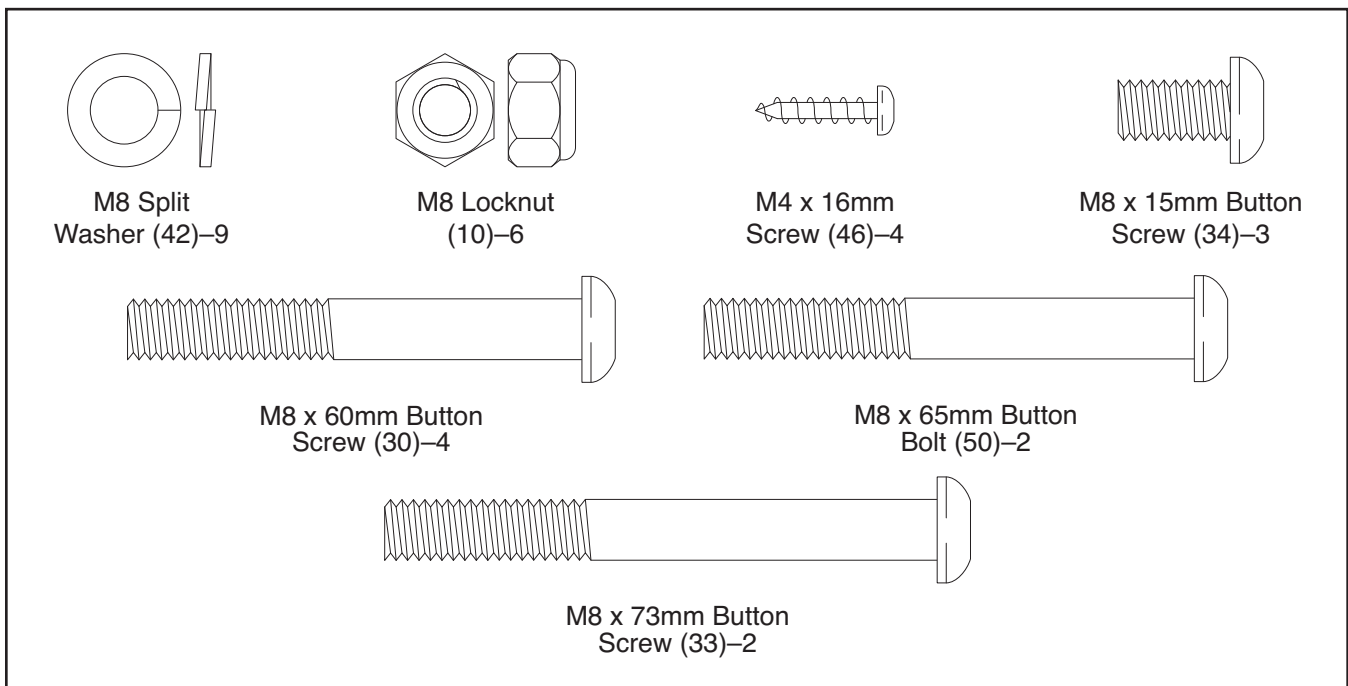
ASSEMBLY

To hire an authorized service technician to assemble the exercise cycle, call 1-800-445-2480.

Assembly requires two persons. Place all parts of the exercise cycle in a cleared area and remove the packing materials. Do not dispose of the packing materials until assembly is completed.

In addition to the included tool(s), assembly requires a Phillips screwdriver , an adjustable wrench , and pliers .

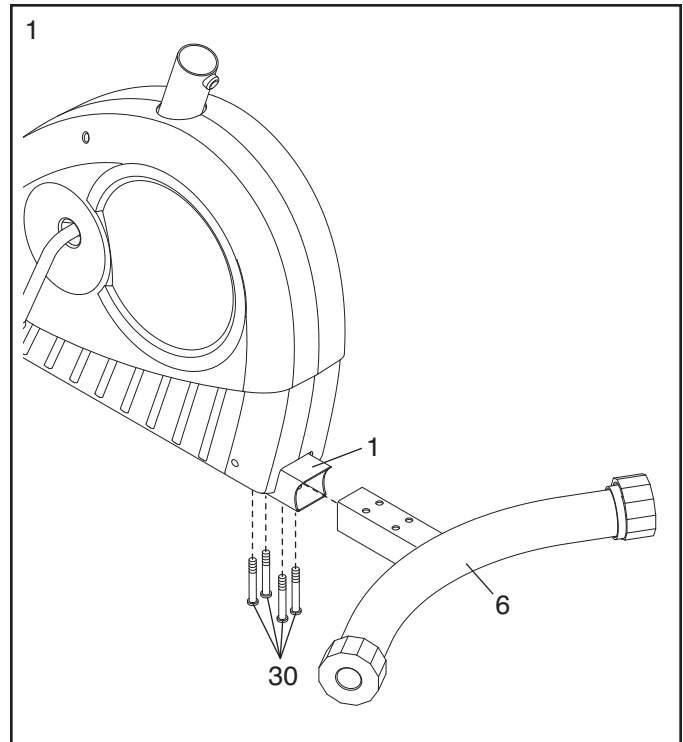
As you assemble the exercise cycle, use the drawings below to identify the small parts used in assembly. The number in parentheses below each drawing is the key number of the part, from the PART LIST near the end of this manual. The number following the parentheses is the quantity needed for assembly. **Note: If a part is not in the hardware kit, check to see if it has been preassembled.**



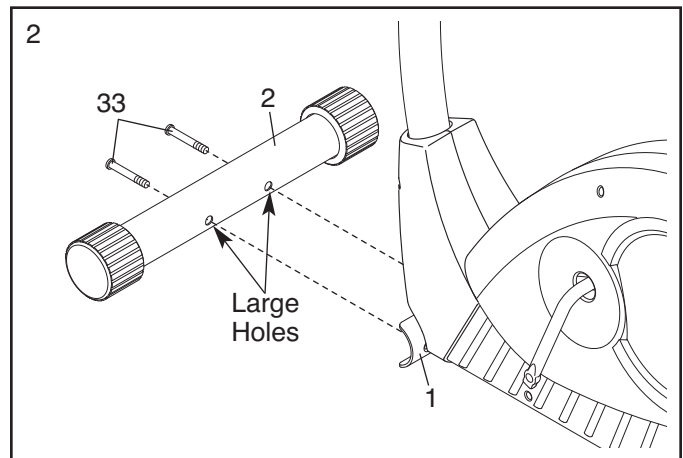
1.

To make assembly easier, read the information on page 5 before you begin.

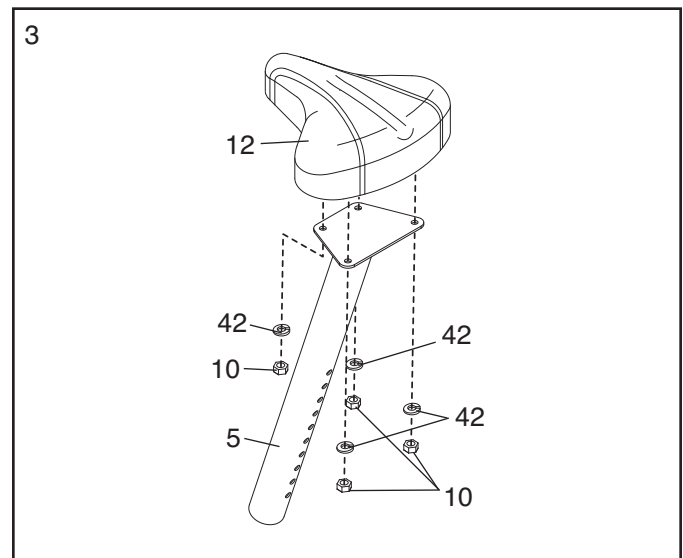
Insert the Rear Stabilizer (6) into the Frame (1). Attach the Rear Stabilizer with four M8 x 60mm Button Screws (30).



2. Orient the Front Stabilizer (2) so that the large holes are facing the Frame (1). Attach the Front Stabilizer to the Frame with two M8 x 73mm Button Screws (33).

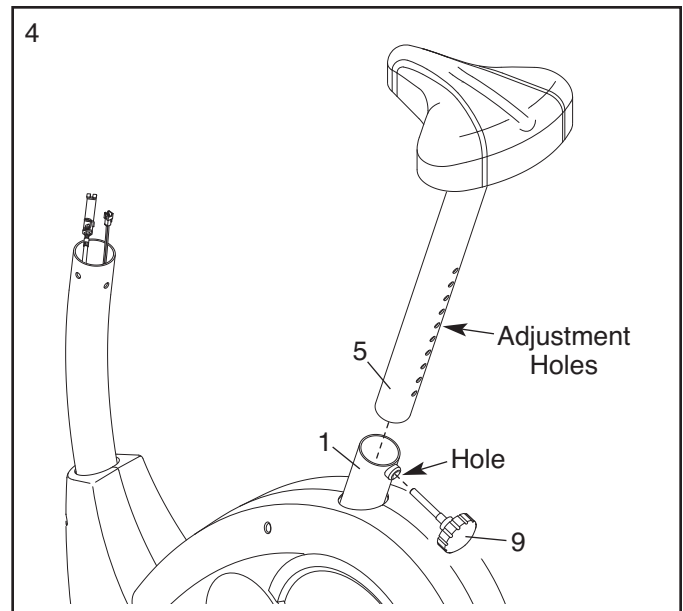


3. Attach the Seat (12) to the Seat Post (5) with four M8 Split Washers (42) and four M8 Locknuts (10). **Note: The Split Washers and the Locknuts may be preattached to the underside of the Seat.**



- Turn the Seat Knob (9) counterclockwise and remove it from the Frame (1).

Next, insert the Seat Post (5) into the Frame (1). Adjust the Seat Post to the desired height, and insert the Seat Knob (9) into the indicated hole in the Frame and into one of the adjustment holes in the Seat Post. Then, turn the Seat Knob clockwise until it is tight. **Make sure the Seat Knob is firmly engaged in one of the adjustment holes in the Seat Post.**



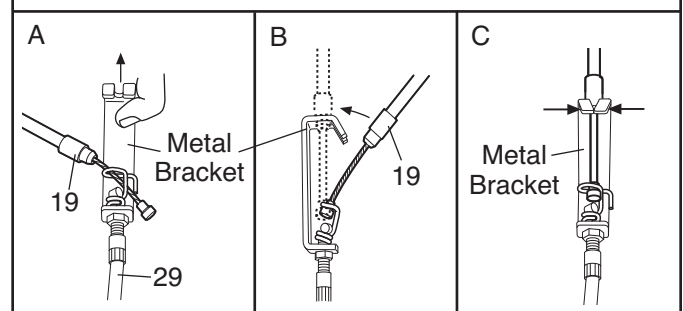
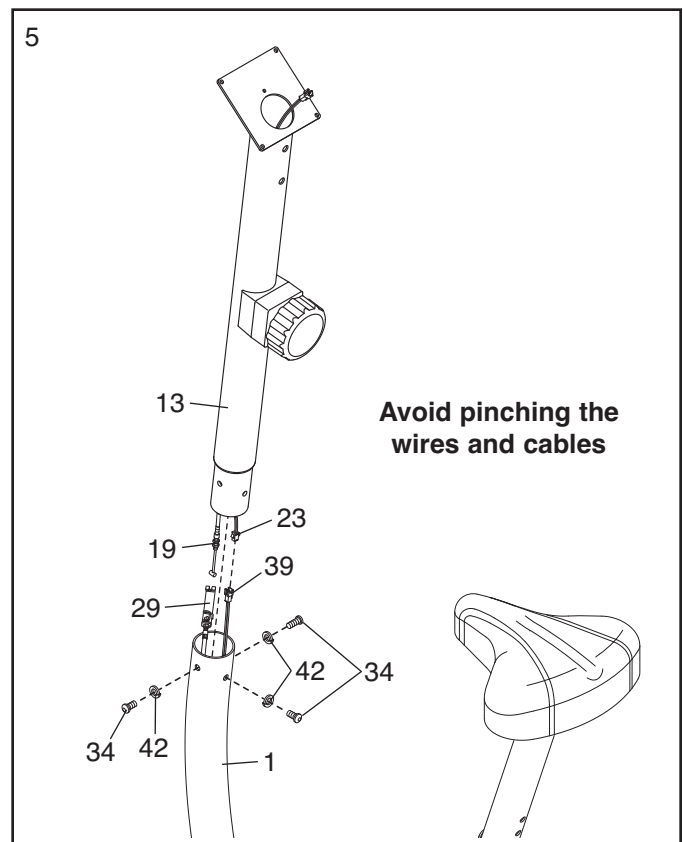
- While another person holds the Upright (13) near the Frame (1) as shown, connect the Extension Wire (23) to the Reed Switch Wire (39). Next, connect the Resistance Cable (19) to the Lower Cable (29) in the following way:

- **See drawing A.** Pull up on the metal bracket on the Lower Cable (29), and insert the tip of the Resistance Cable (19) into the wire clip inside of the metal bracket as shown.
- **See drawing B.** Firmly pull the Resistance Cable (19) upward and slide it into the top of the metal bracket as shown.
- **See drawing C.** Using pliers, squeeze the prongs on the upper end of the metal bracket together.

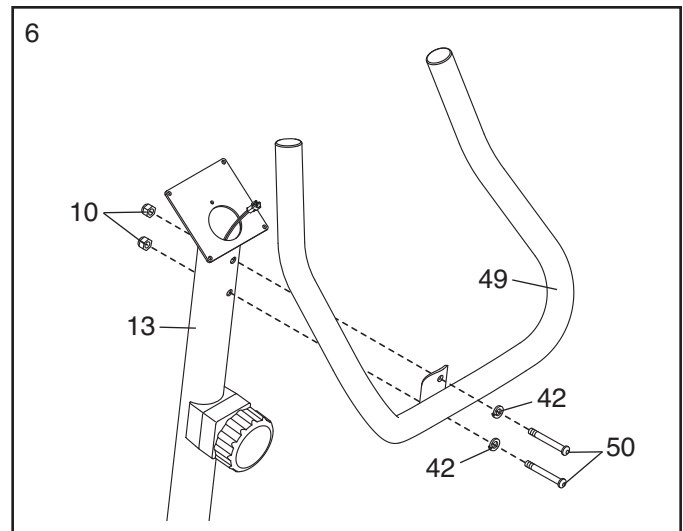
Push the Wires (23, 39) and the Cables (19, 29) downward into the Frame (1).

Tip: Avoid pinching the wires and cables.

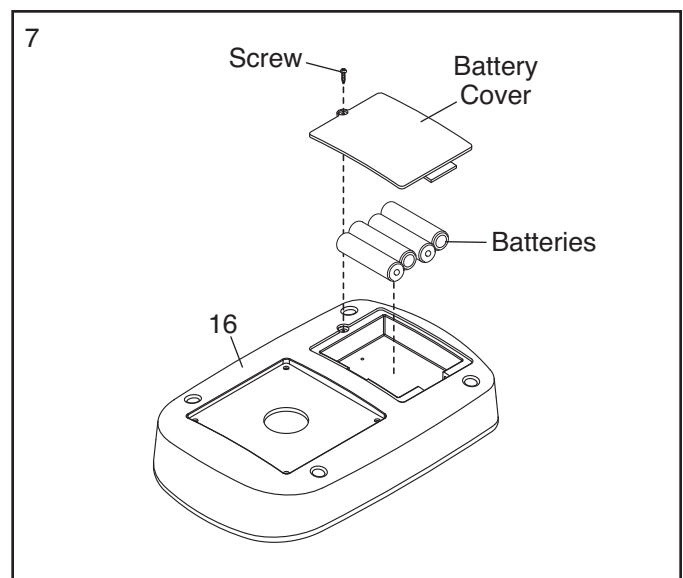
Next, insert the Upright (13) into the Frame (1). Attach the Upright with three M8 x 15mm Button Screws (34) and three M8 Split Washers (42).



6. Attach the Handlebar (49) to the Upright (13) with two M8 x 65mm Button Bolts (50), two M8 Split Washers (42), and two M8 Locknuts (10).

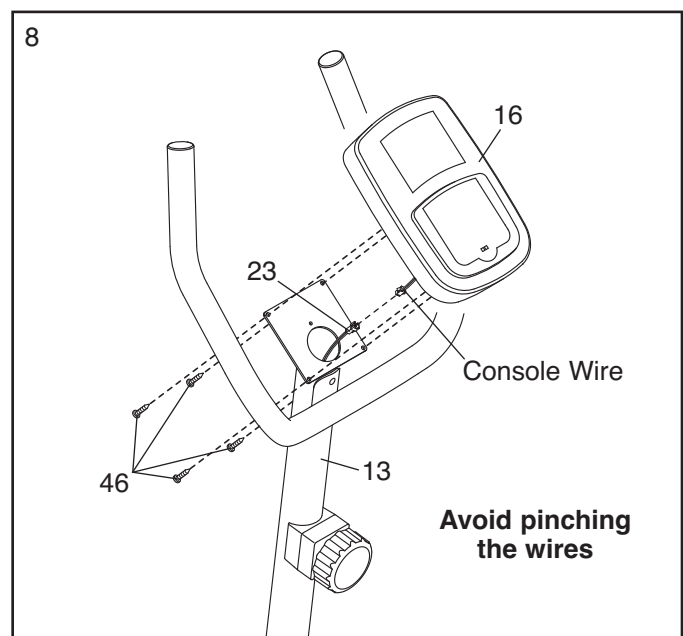


7. The Console (16) requires four AA batteries (not included); alkaline batteries are recommended. **IMPORTANT: If the Console has been exposed to cold temperatures, allow it to warm to room temperature before inserting batteries. Otherwise, you may damage the console display or other electronic components.** Remove the battery cover, and insert batteries into the battery compartment; **make sure to orient the batteries as shown by the diagram inside the battery compartment.** Then, reattach the battery cover.



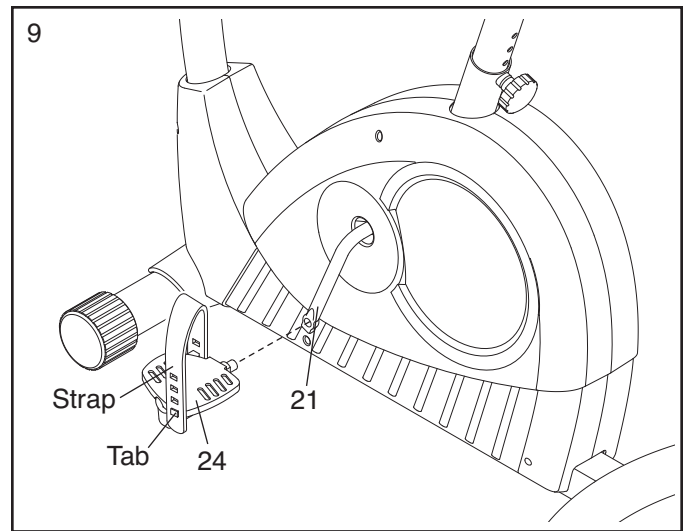
8. While a second person holds the Console (16) near the Upright (13), connect the console wire to the Extension Wire (23). Then, insert the wires downward into the Upright.

Tip: Avoid pinching the wires. Attach the Console (16) to the Upright (13) with four M4 x 16mm Screws (46).



9. Identify the Left Pedal (24), which is marked with a “Left” sticker. Using an adjustable wrench, **firmly tighten** the Left Pedal *counter-clockwise* into the left arm of the Crank (21). Tighten the Right Pedal (not shown) *clockwise* into the right arm of the Crank. **IMPORTANT: Tighten both Pedals as firmly as possible. After using the exercise cycle for one week, retighten the Pedals. For best performance, keep the Pedals tightened.**

Adjust the strap on the Left Pedal (24) to the desired position, and press the end of the strap onto the tab on the side of the Left Pedal. Adjust the strap on the Right Pedal (not shown) in the same way.

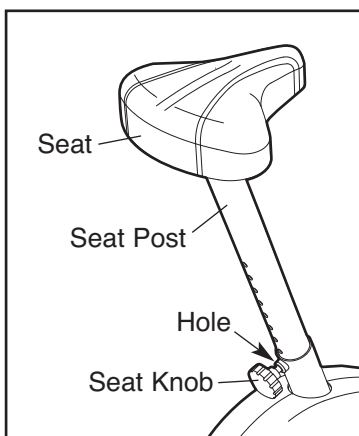


10. **Make sure that all parts are properly tightened before you use the exercise cycle.** Note: After assembly is completed, some extra parts may be left over. Place a mat beneath the exercise cycle to protect the floor.

HOW TO USE THE EXERCISE CYCLE

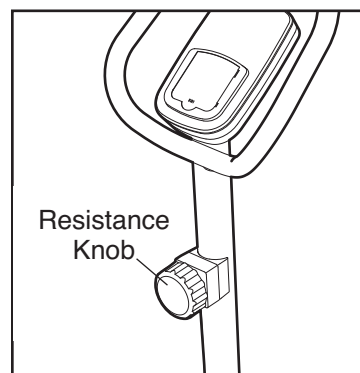
HOW TO ADJUST THE SEAT POST

For effective exercise, the seat should be at the proper height. As you pedal, there should be a slight bend in your knees when the pedals are in the lowest position. To adjust the height of the seat, first turn the seat knob counterclockwise and remove it. Next, slide the seat post upward or downward and align one of the adjustment holes in the seat post with the indicated hole in the frame. Then, insert the seat knob into the frame and the seat post, and turn the seat knob clockwise until it is tight. **Make sure that the seat knob is inserted into one of the adjustment holes in the seat post.**



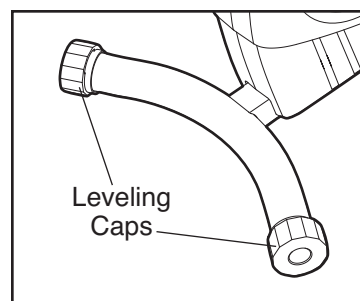
HOW TO ADJUST THE PEDALING RESISTANCE

To increase the resistance of the pedals, turn the resistance knob clockwise; to decrease the resistance, turn the resistance knob counterclockwise. **IMPORTANT: Stop turning the knob when turning becomes difficult, or you may damage the exercise cycle.**

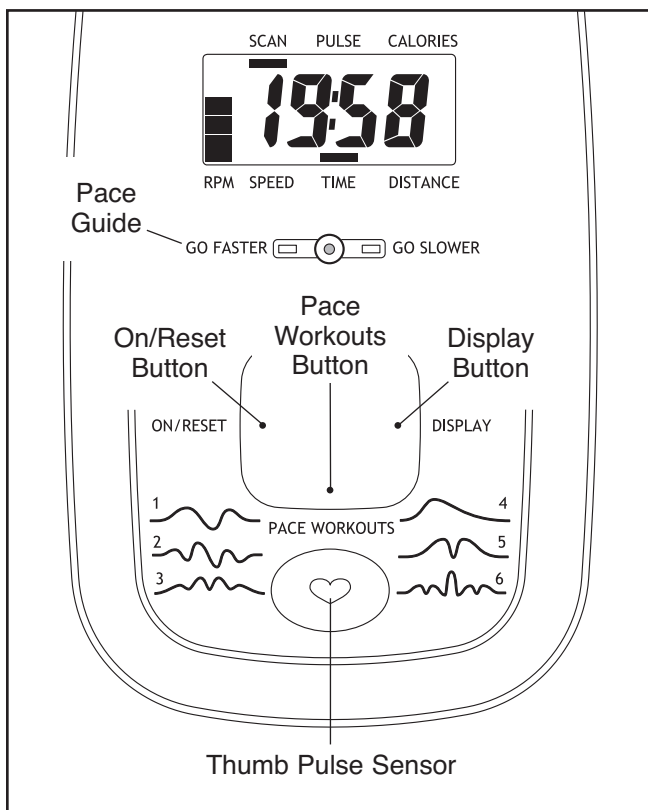


HOW TO LEVEL THE EXERCISE CYCLE

If the exercise cycle rocks on your floor during use, turn one or both of the leveling caps until the rocking motion is eliminated.



FEATURES OF THE CONSOLE



The console offers a selection of features designed to make your workouts more effective. While you pedal, the console will provide continuous exercise feedback. You can even measure your heart rate using the built-in thumb pulse sensor.

The console also offers six pace workouts that prompt you to vary your pedaling pace while they guide you through effective workouts.

To use the manual mode of the console, see the instructions at the right. **To use a pace workout,** see page 13.

Before using the console, make sure that batteries are installed (see assembly step 7 on page 8). If there is a sheet of clear plastic on the display, remove the plastic.

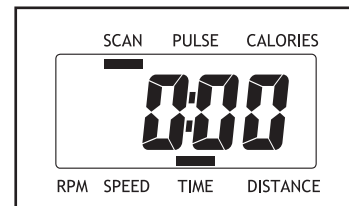
HOW TO USE THE MANUAL MODE

1. Turn on the console.

To turn on the console, press any of the buttons or begin pedaling. The entire display and the pace guide will light for a moment; the console will then be ready for use.

2. Select the manual mode.

When you turn on the console, the manual mode will be selected. If you have selected a pace workout, reselect the manual mode by pressing the Pace Workouts button repeatedly until zeros appear in the display.



3. Follow your progress with the display.

The display can show the following workout information:

RPM—The RPM meter on the left side of the display indicates your approximate pedaling pace (revolutions per minute).

Speed—This mode shows your pedaling speed, in miles per hour (mph) or kilometers per hour (km/h).

Time—This mode shows the elapsed time. Note: When a pace workout is selected, the display will show the time remaining in the workout instead of the elapsed time.

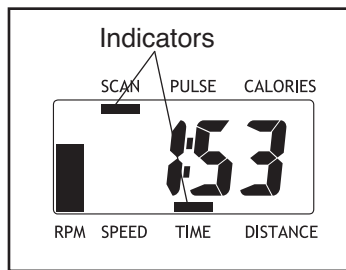
Distance—This mode shows the distance you have pedaled, in miles or kilometers.

Calories—This mode shows the approximate number of calories you have burned.

Pulse—This mode shows your heart rate when you use the thumb pulse sensor.

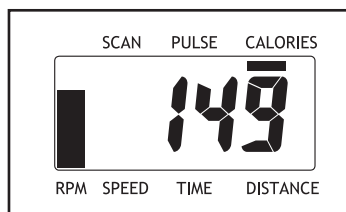
Scan—This mode shows the speed, time, distance, calories, and pulse modes, for a few seconds each, in a repeating cycle. Note: The pulse mode will appear only when you are using the pulse sensor.

When you turn on the console, the scan mode will be selected automatically. One indicator will appear below the word Scan to show that the scan mode is

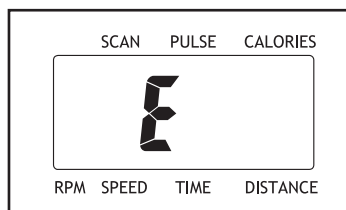


selected, and a second indicator will show which information is currently displayed. Note: If you have selected a different mode, press the Display button repeatedly to reselect the Scan mode.

To select the speed, time, distance, or calories mode for continuous display, press the Display button repeatedly. The indicators will show which mode is selected. Make sure that there is not an indicator below the word Scan.



Note: The console can show speed and distance in either miles or kilometers. The letters “mph” or “km/h” will appear in the



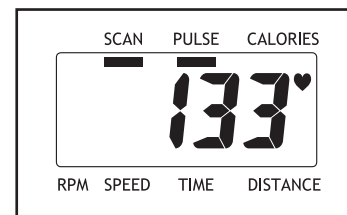
display to show which unit of measurement is selected. To change the unit of measurement, first hold down the On/Reset button for a few seconds. An “E” (for English) or an “M” (for metric) will appear in the display. Press the Display button to change the unit of measurement. Note: When the batteries are replaced, it may be necessary to reselect the desired unit of measurement.

To reset the display, press the On/Reset button.

To pause the console, stop pedaling. If the time is displayed, it will flash. To continue your workout, simply resume pedaling.

4. Measure your heart rate if desired.

To measure your heart rate, **stop pedaling** and place your thumb on the pulse sensor. **Do not press too hard, or the circulation in your thumb will be restricted and your pulse will not be detected.** After a few seconds, the heart-shaped indicator in the display will begin to flash, two dashes will appear, and then your heart rate will be shown. Hold your thumb on the pulse sensor for about 15 seconds for the most accurate reading.



If the displayed heart rate appears to be too high or too low, or if your heart rate is not displayed, lift your thumb off the pulse sensor for a few seconds. Then, place your thumb on the pulse sensor as described above.

Make sure that you are applying the proper amount of pressure to the pulse sensor. Try the pulse sensor several times until you become familiar with it. Remember to stand still while measuring your heart rate.

5. When you are finished exercising, the console will turn off automatically.

If the pedals do not move for a few seconds, the console will pause. If the pedals do not move for a few minutes, the console will turn off and the display will be reset.

HOW TO USE A PACE WORKOUT

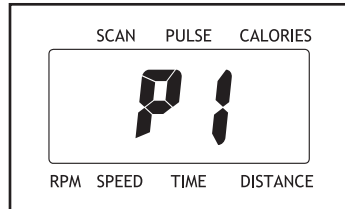
1. Turn on the console.

See step 1 on page 11.

2. Select a pace workout.

To select a pace workout, press the Pace Workouts button repeatedly until P1, P2, P3, P4, P5, or P6

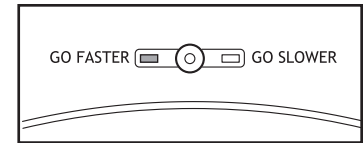
appears in the display. A few seconds after you select a workout, the display will show the duration of the workout. Note: The diagrams numbered 1 through 6 on the console show the target pace settings for the workouts. For example, during workout 4, the target pace settings gradually increase during the first part of the workout and then gradually decrease.



3. Begin pedaling to start the workout.

Each pace workout consists of either 20 or 30 one-minute segments. One target pace is programmed for each segment. Any time the target pace is about to change, the display will flash for a few seconds to alert you.

During the workout, the pace guide will prompt you to keep your pedaling pace near the target



pace for the current segment. When the left indicator lights, increase your pace; when the right indicator lights, decrease your pace. When the center indicator lights, maintain your current pace.

IMPORTANT: The pace guide is intended only to provide a goal. Make sure to pedal at a pace that is comfortable for you.

The display can show the time remaining in the workout. If you stop pedaling for a few seconds, the workout will pause and the time will flash if it is displayed. To restart the workout, simply resume pedaling.

4. Follow your progress with the display.

See step 3 on pages 11 and 12.

5. Measure your heart rate if desired.

See step 4 on page 12.

6. When you are finished exercising, the console will turn off automatically.

See step 5 on page 12.

MAINTENANCE AND TROUBLESHOOTING

Inspect and tighten all parts of the exercise cycle regularly. Replace any worn parts immediately.

To clean the exercise cycle, use a damp cloth and a small amount of mild detergent. **IMPORTANT: To avoid damage to the console, keep liquids away from the console and keep the console out of direct sunlight.**

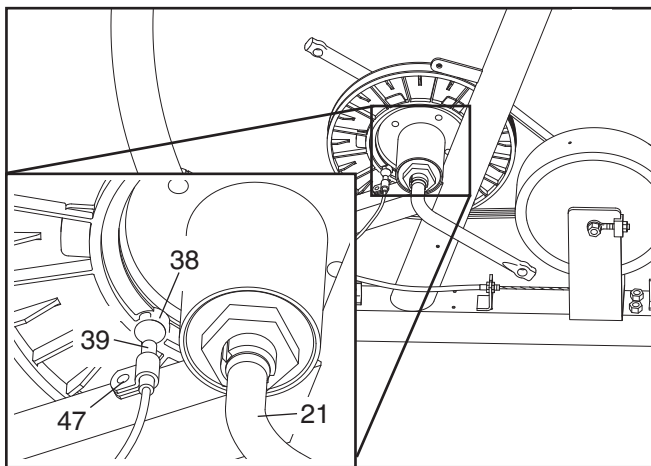
BATTERY REPLACEMENT

If the console display becomes dim or if the console does not function correctly, the batteries should be replaced; most console problems are the result of low batteries. To replace the batteries, see assembly step 7 on page 8.

HOW TO ADJUST THE REED SWITCH

If the console does not display correct feedback, the reed switch should be adjusted. To adjust the reed switch, the left pedal, the upright covers, and the left shield must be removed.

Using an adjustable wrench, turn the left pedal clockwise and remove it. Next, remove the screws from the upright covers and the shields. Carefully remove the upright covers and the left shield.



Next, turn the resistance knob to the lowest setting. With the left shield removed, locate the Reed Switch (39). Turn the Crank (21) until the Magnet (38) is

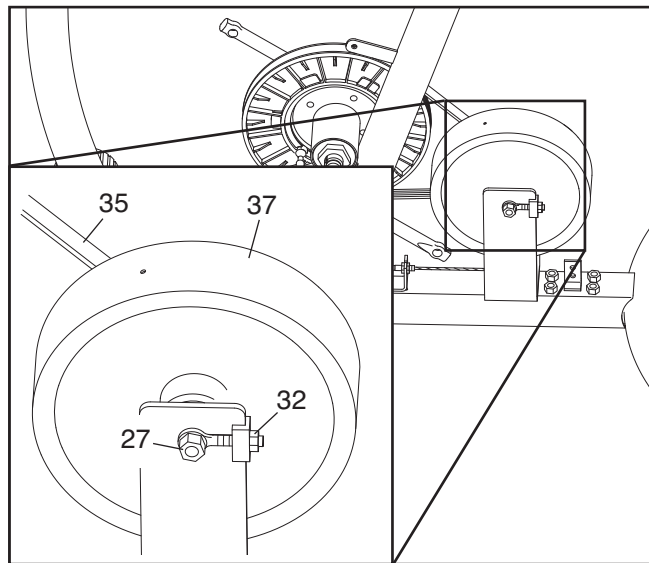
aligned with the Reed Switch. Loosen, but do not remove, the M5 x 15mm Screw (47). Next, slide the Reed Switch slightly closer to or away from the Magnet, and retighten the Screw. Then, turn the Crank for a moment. Repeat until the console displays correct feedback. When the Reed Switch is correctly adjusted, reattach the left shield, the upright covers, and the left pedal.

HOW TO ADJUST THE BELT

If you can feel the pedals slip while you are pedaling, even when the resistance is at the highest level, the belt may need to be adjusted. See HOW TO ADJUST THE REED SWITCH at the left and remove the left pedal, the upright covers, and the left shield.

To adjust the belt, you must also remove the right pedal and the right shield. Using an adjustable wrench, turn the right pedal counterclockwise and remove it. Then, carefully remove the right shield.

Next, loosen the two 3/8" Nuts (27), one on each side of the Flywheel (37). Then, tighten the M6 Locknuts (32), one on each side of the Flywheel, until the Belt (35) is properly tightened. Finally, tighten the 3/8" Nuts (27) and reattach the shields, the upright covers, and the pedals.



EXERCISE GUIDELINES

⚠ WARNING: Before beginning this or any exercise program, consult your physician. This is especially important for persons over the age of 35 or persons with pre-existing health problems.

The pulse sensor is not a medical device. Various factors may affect the accuracy of heart rate readings. The pulse sensor is intended only as an exercise aid in determining heart rate trends in general.

These guidelines will help you to plan your exercise program. For detailed exercise information, obtain a reputable book or consult your physician. Remember, proper nutrition and adequate rest are essential for successful results.

EXERCISE INTENSITY

Whether your goal is to burn fat or to strengthen your cardiovascular system, exercising at the proper intensity is the key to achieving results. You can use your heart rate as a guide to find the proper intensity level. The chart below shows recommended heart rates for fat burning and aerobic exercise.

165	155	145	140	130	125	115	♥♥
145	138	130	125	118	110	103	♥
125	120	115	110	105	95	90	♥
<hr/>							
20	30	40	50	60	70	80	

To find the proper intensity level, find your age at the bottom of the chart (ages are rounded off to the nearest ten years). The three numbers listed above your age define your “training zone.” The lowest number is the heart rate for fat burning, the middle number is the heart rate for maximum fat burning, and the highest number is the heart rate for aerobic exercise.

Burning Fat—To burn fat effectively, you must exercise at a low intensity level for a sustained period of time. During the first few minutes of exercise, your body uses *carbohydrate calories* for energy. Only after the first few minutes of exercise does your body begin to use stored *fat calories* for energy. If your goal is to burn fat, adjust the intensity of your exercise until your heart rate is near the lowest number in your training zone. For maximum fat burning, exercise with your heart rate near the middle number in your training zone.

Aerobic Exercise—If your goal is to strengthen your cardiovascular system, you must perform aerobic exercise, which is activity that requires large amounts of oxygen for prolonged periods of time. For aerobic exercise, adjust the intensity of your exercise until your heart rate is near the highest number in your training zone.

WORKOUT GUIDELINES

Warming Up—Start with 5 to 10 minutes of stretching and light exercise. A warm-up increases your body temperature, heart rate, and circulation in preparation for exercise.

Training Zone Exercise—Exercise for 20 to 30 minutes with your heart rate in your training zone. (During the first few weeks of your exercise program, do not keep your heart rate in your training zone for longer than 20 minutes.) Breathe regularly and deeply as you exercise—never hold your breath.

Cooling Down—Finish with 5 to 10 minutes of stretching. Stretching increases the flexibility of your muscles and helps to prevent post-exercise problems.

EXERCISE FREQUENCY

To maintain or improve your condition, complete three workouts each week, with at least one day of rest between workouts. After a few months of regular exercise, you may complete up to five workouts each week, if desired. Remember, the key to success is to make exercise a regular and enjoyable part of your everyday life.

SUGGESTED STRETCHES

The correct form for several basic stretches is shown at the right. Move slowly as you stretch—never bounce.

1. Toe Touch Stretch

Stand with your knees bent slightly and slowly bend forward from your hips. Allow your back and shoulders to relax as you reach down toward your toes as far as possible. Hold for 15 counts, then relax. Repeat 3 times. Stretches: Hamstrings, back of knees and back.

2. Hamstring Stretch

Sit with one leg extended. Bring the sole of the opposite foot toward you and rest it against the inner thigh of your extended leg. Reach toward your toes as far as possible. Hold for 15 counts, then relax. Repeat 3 times for each leg. Stretches: Hamstrings, lower back and groin.

3. Calf/Achilles Stretch

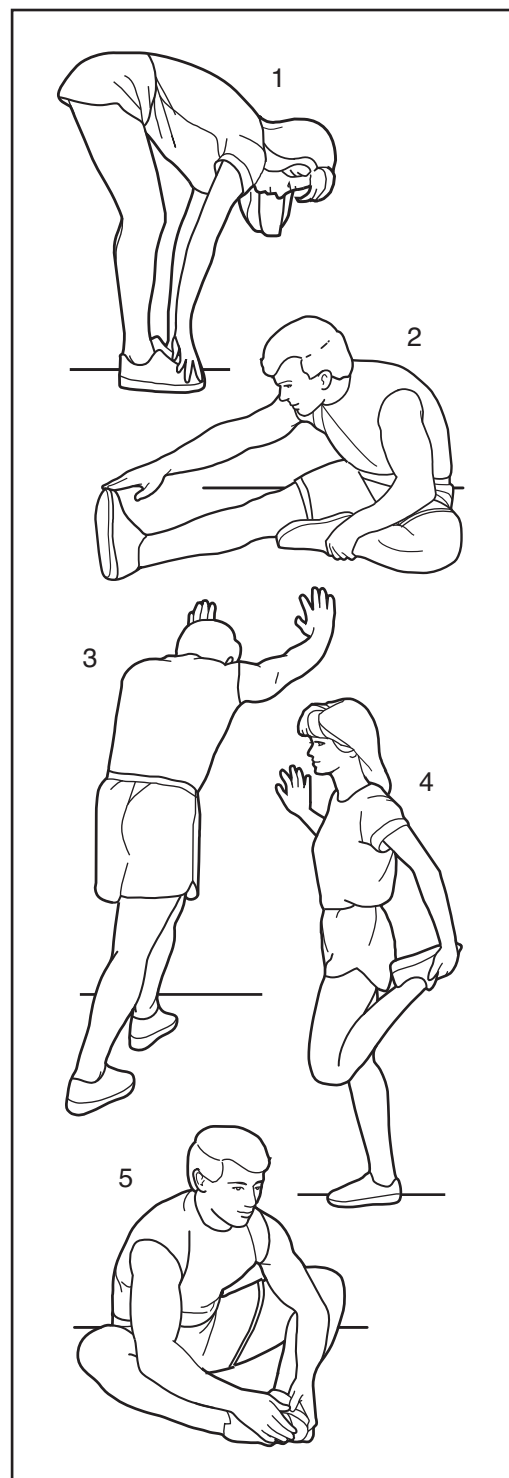
With one leg in front of the other, reach forward and place your hands against a wall. Keep your back leg straight and your back foot flat on the floor. Bend your front leg, lean forward and move your hips toward the wall. Hold for 15 counts, then relax. Repeat 3 times for each leg. To cause further stretching of the achilles tendons, bend your back leg as well. Stretches: Calves, achilles tendons and ankles.

4. Quadriceps Stretch

With one hand against a wall for balance, reach back and grasp one foot with your other hand. Bring your heel as close to your buttocks as possible. Hold for 15 counts, then relax. Repeat 3 times for each leg. Stretches: Quadriceps and hip muscles.

5. Inner Thigh Stretch

Sit with the soles of your feet together and your knees outward. Pull your feet toward your groin area as far as possible. Hold for 15 counts, then relax. Repeat 3 times. Stretches: Quadriceps and hip muscles.



NOTES

PART LIST—Model No. WLEX61708.0

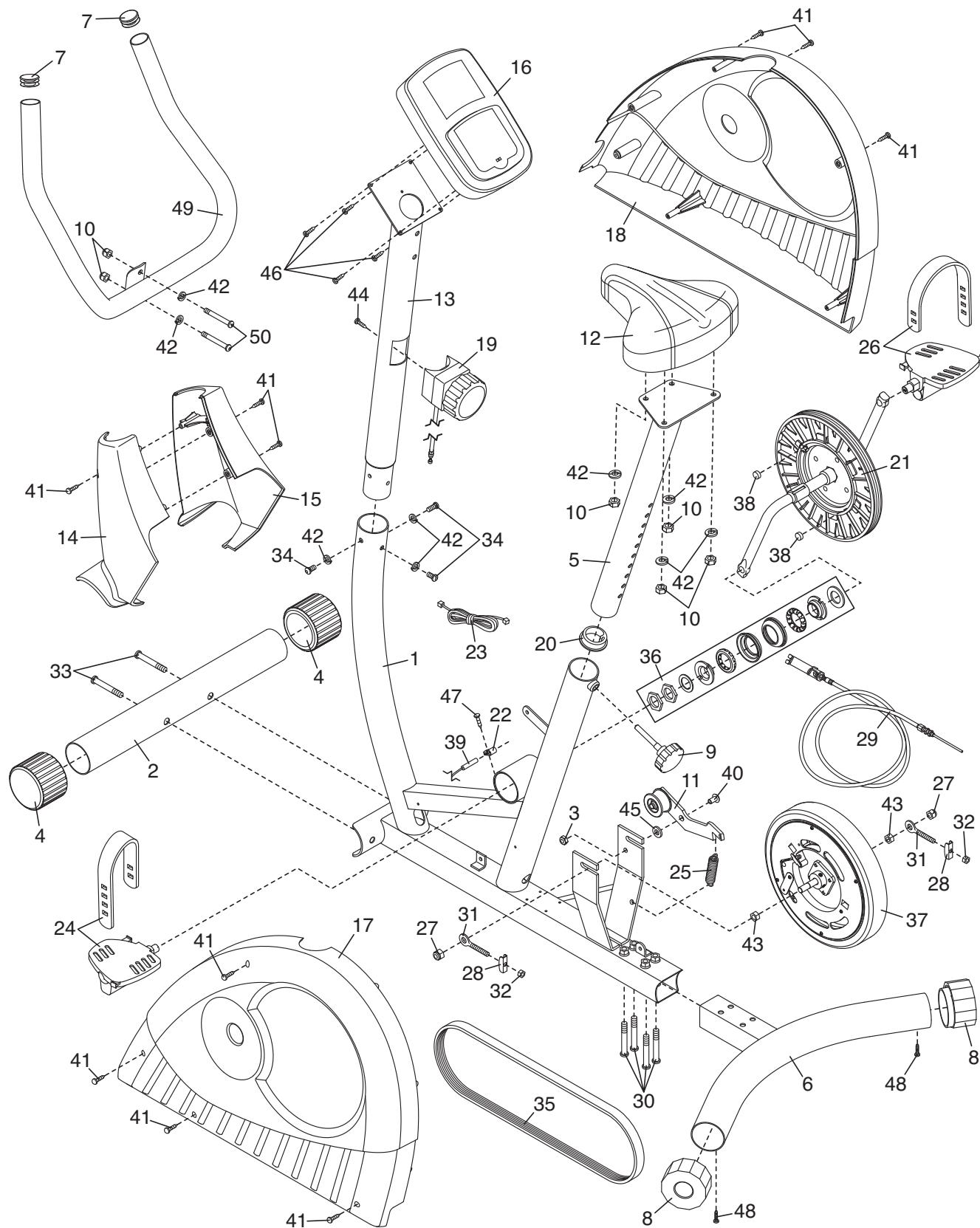
R0609B

Key No.	Qty.	Description	Key No.	Qty.	Description
1	1	Frame	27	2	3/8" Nut
2	1	Front Stabilizer	28	2	U-bracket
3	1	M8 Nut	29	1	Lower Cable
4	2	Front Stabilizer Cap	30	4	M8 x 60mm Button Screw
5	1	Seat Post	31	2	Eyebolt
6	1	Rear Stabilizer	32	2	M6 Locknut
7	2	Handlebar Cap	33	2	M8 x 73mm Button Screw
8	2	Leveling Cap	34	3	M8 x 15mm Button Screw
9	1	Seat Knob	35	1	Belt
10	6	M8 Locknut	36	1	Crank Bearing Set
11	1	Idler	37	1	Flywheel
12	1	Seat	38	2	Magnet
13	1	Upright	39	1	Reed Switch/Wire
14	1	Left Upright Cover	40	1	M8 x 20mm Bolt
15	1	Right Upright Cover	41	10	M4 x 25mm Round Head Screw
16	1	Console	42	9	M8 Split Washer
17	1	Left Shield	43	2	Flywheel Nut
18	1	Right Shield	44	1	M5 x 50mm Button Screw
19	1	Resistance Control/Cable	45	1	M8 Washer
20	1	Seat Post Bushing	46	4	M4 x 16mm Screw
21	1	Crank/Pulley	47	1	M5 x 15mm Screw
22	1	Reed Switch Clamp	48	2	M4 x 15mm Screw
23	1	Extension Wire	49	1	Handlebar
24	1	Left Pedal/Strap	50	2	M8 x 65mm Button Bolt
25	1	Spring	*	—	User's Manual
26	1	Right Pedal/Strap	*	—	Assembly Tool

Note: Specifications are subject to change without notice. For information about ordering replacement parts, see the back cover of this manual. *These parts are not illustrated.

EXPLODED DRAWING—Model No. WLEX61708.0

R0609B



ORDERING REPLACEMENT PARTS

To order replacement parts, please see the front cover of this manual. To help us assist you, be prepared to provide the following information when contacting us:

- the model number and serial number of the product (see the front cover of this manual)
- the name of the product (see the front cover of this manual)
- the key number and description of the replacement part(s) (see the PART LIST and the EXPLODED DRAWING near the end of this manual)

LIMITED WARRANTY

IMPORTANT: You must register this product within 30 days of the purchase date to avoid added fees for service needed under warranty. Go to www.wesloservice.com/registration.

ICON Health & Fitness, Inc. (ICON) warrants this product to be free from defects in workmanship and material, under normal use and service conditions. Parts and labor are warranted for ninety (90) days from the date of purchase.

This warranty extends only to the original purchaser. ICON's obligation under this warranty is limited to repairing or replacing, at ICON's option, the product through one of its authorized service centers. All repairs for which warranty claims are made must be preauthorized by ICON. If the product is shipped to a service center, freight charges to and from the service center will be the customer's responsibility. For replacement parts shipped while the product is under warranty, the customer will be responsible for a minimal handling charge. For in-home service, the customer will be responsible for a minimal trip charge. This warranty does not extend to any damage to a product caused by or attributable to freight damage, abuse, misuse, improper or abnormal usage, or repairs not provided by an ICON authorized service center; to products used for commercial or rental purposes or as store display models; or to products transported or purchased outside the US. No other warranty beyond that specifically set forth above is authorized by ICON.

ICON is not responsible or liable for indirect, special, or consequential damages arising out of or in connection with the use or performance of the product; damages with respect to any economic loss, loss of property, loss of revenues or profits, loss of enjoyment or use, or costs of removal or installation; or other consequential damages of whatsoever nature. Some states do not allow the exclusion or limitation of incidental or consequential damages. Accordingly, the above limitation may not apply to you.

The warranty extended hereunder is in lieu of any and all other warranties, and any implied warranties of merchantability or fitness for a particular purpose are limited in their scope and duration to the terms set forth herein. Some states do not allow limitations on how long an implied warranty lasts. Accordingly, the above limitation may not apply to you.

This warranty gives you specific legal rights. You may also have other rights that vary from state to state.

ICON Health & Fitness, Inc., 1500 S. 1000 W., Logan, UT 84321-9813