

WESLO®

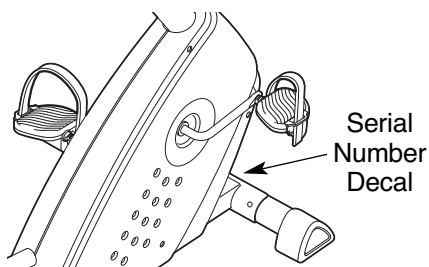
pursuit R 4.8

www.weslo.com

Model No. WLEX91908.0

Serial No. _____

Write the serial number in the space above for reference.



USER'S MANUAL

QUESTIONS?

As a manufacturer, we are committed to providing complete customer satisfaction. If you have questions, or if parts are damaged or missing, **PLEASE DO NOT CONTACT THE STORE;** please contact Customer Care.

IMPORTANT: You must note the product model number and serial number (see the drawing above) before contacting us:

CALL TOLL-FREE:

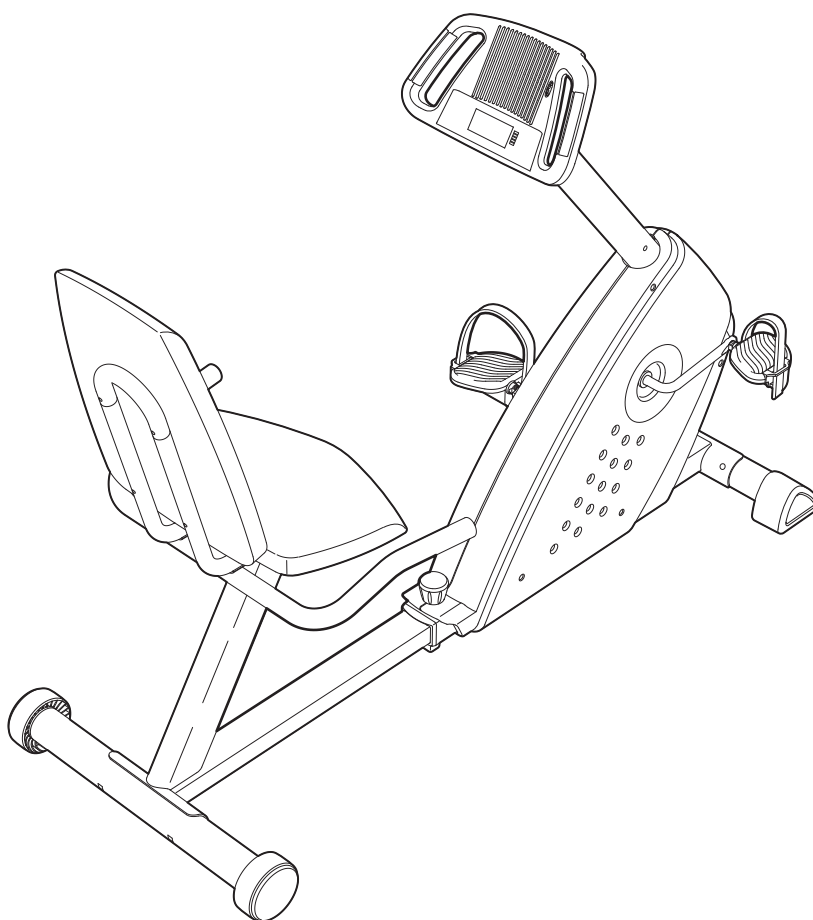
1-866-699-3756

Mon.-Fri., 6 a.m.-6 p.m. MT

Sat. 8 a.m.-4 p.m. MT

ON THE WEB:

www.wesloservice.com



CAUTION

Read all precautions and instructions in this manual before using this equipment. Keep this manual for future reference.



TABLE OF CONTENTS

WARNING DECAL PLACEMENT2

IMPORTANT PRECAUTIONS3

BEFORE YOU BEGIN4

ASSEMBLY5

HOW TO USE THE EXERCISE CYCLE10

MAINTENANCE AND TROUBLESHOOTING14

EXERCISE GUIDELINES15

PART LIST18

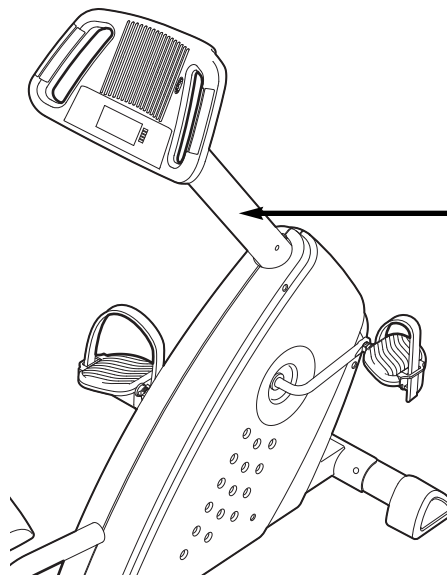
EXPLODED DRAWING19

ORDERING REPLACEMENT PARTSBack Cover

LIMITED WARRANTYBack Cover

WARNING DECAL PLACEMENT

This drawing shows the location(s) of the warning decal(s). **If a decal is missing or illegible, call the telephone number on the front cover of this manual and request a free replacement decal. Apply the decal in the location shown.**
 Note: The decal(s) may not be shown at actual size.



! WARNING

- Misuse of this machine may result in serious injury.
- Read user's manual prior to use and follow all warnings and instructions.
- Do not allow children on or around machine.
- Pedals continue to spin when you stop pedaling.
- Spinning pedals can cause injury.
- Reduce pedal speed in a controlled manner.
- User weight must not exceed 250 pounds.
- Replace label if damaged, illegible, or removed.

IMPORTANT PRECAUTIONS

⚠️ WARNING: To reduce the risk of serious injury, read all important precautions and instructions in this manual and all warnings on your exercise cycle before using your exercise cycle. ICON assumes no responsibility for personal injury or property damage sustained by or through the use of this product.

1. Before beginning any exercise program, consult your physician. This is especially important for persons over the age of 35 or persons with pre-existing health problems.
2. It is the responsibility of the owner to ensure that all users of the exercise cycle are adequately informed of all precautions.
3. Your exercise cycle is intended for home use only. Do not use your exercise cycle in a commercial, rental, or institutional setting.
4. Keep your exercise cycle indoors, away from moisture and dust. Place your exercise cycle on a level surface, with a mat beneath it to protect the floor or carpet. Make sure that there is enough clearance around your exercise cycle to mount, dismount, and use it.
5. Inspect and properly tighten all parts regularly. Replace any worn parts immediately.
6. Keep children under age 12 and pets away from your exercise cycle at all times.
7. Your exercise cycle should not be used by persons weighing more than 250 lbs. (113 kg).
8. The pulse sensor is not a medical device. Various factors, including the user's movement, may affect the accuracy of heart rate readings. The pulse sensor is intended only as an exercise aid in determining heart rate trends in general.
9. Wear appropriate exercise clothes while exercising; do not wear loose clothes that could become caught on your exercise cycle. Always wear athletic shoes for foot protection while exercising.
10. Keep your back straight while using your exercise cycle; do not arch your back.
11. When you stop exercising, allow the pedals to slowly come to a stop.
12. If you feel pain or dizziness while exercising, stop immediately and cool down.
13. Use your exercise cycle only as described in this manual.

BEFORE YOU BEGIN

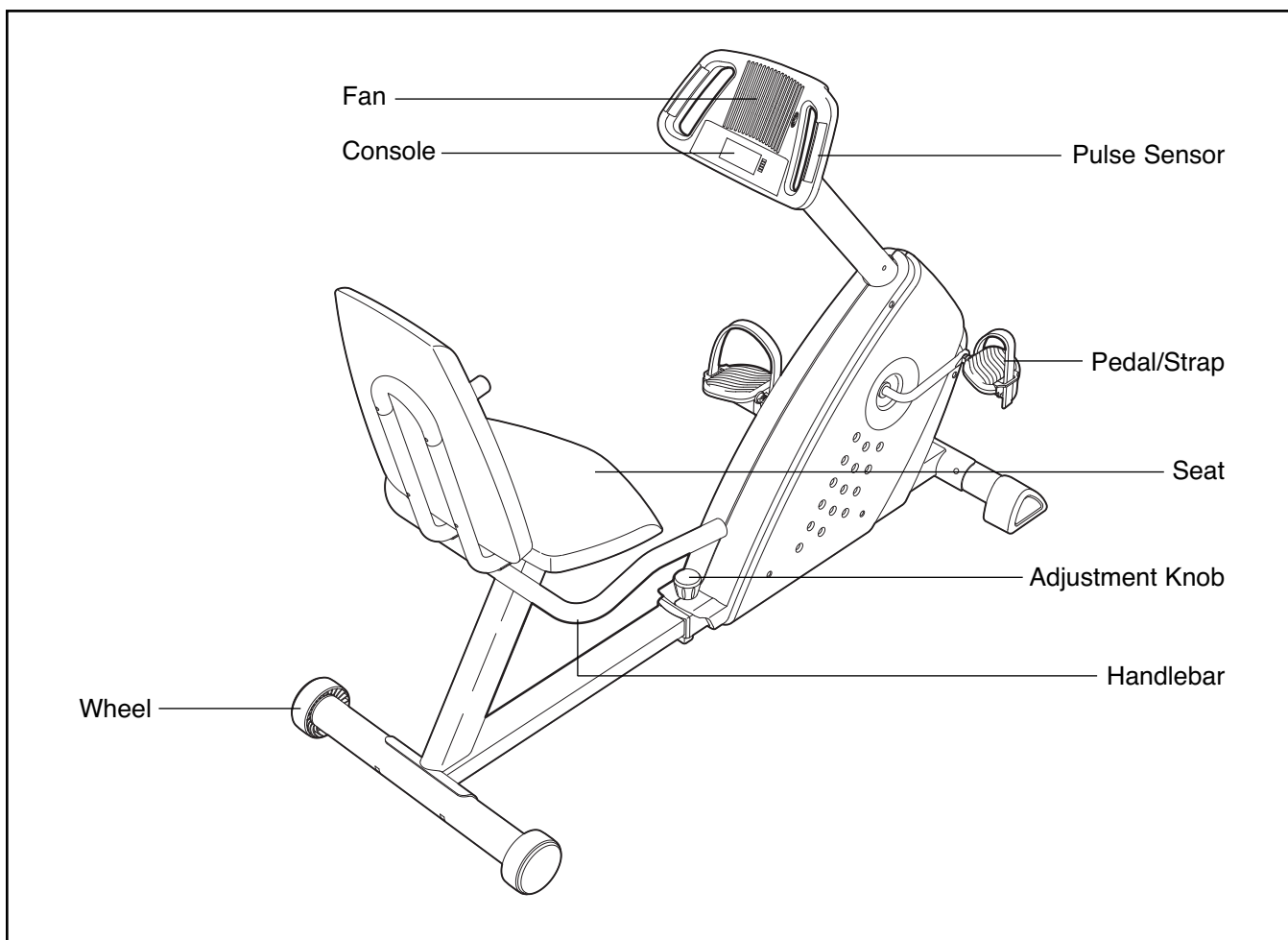
Thank you for selecting the new WESLO® PURSUIT R 4.8 exercise cycle. Cycling is one of the most effective exercises for increasing cardiovascular fitness, building endurance, and toning the body. The PURSUIT R 4.8 exercise cycle offers a selection of features designed to let you enjoy this healthful exercise in the convenience and privacy of your home.

For your benefit, read this manual carefully before you use the exercise cycle. If you have questions after reading this manual, please see the front cover of this manual. To help us assist you, note the product

model number and serial number before contacting us. The model number and the location of the serial number decal are shown on the front cover of this manual.

To avoid a registration fee for any service needed under warranty, you must register the exercise cycle at www.wesloservice.com/registration.

Before reading further, please familiarize yourself with the parts that are labeled in the drawing below.



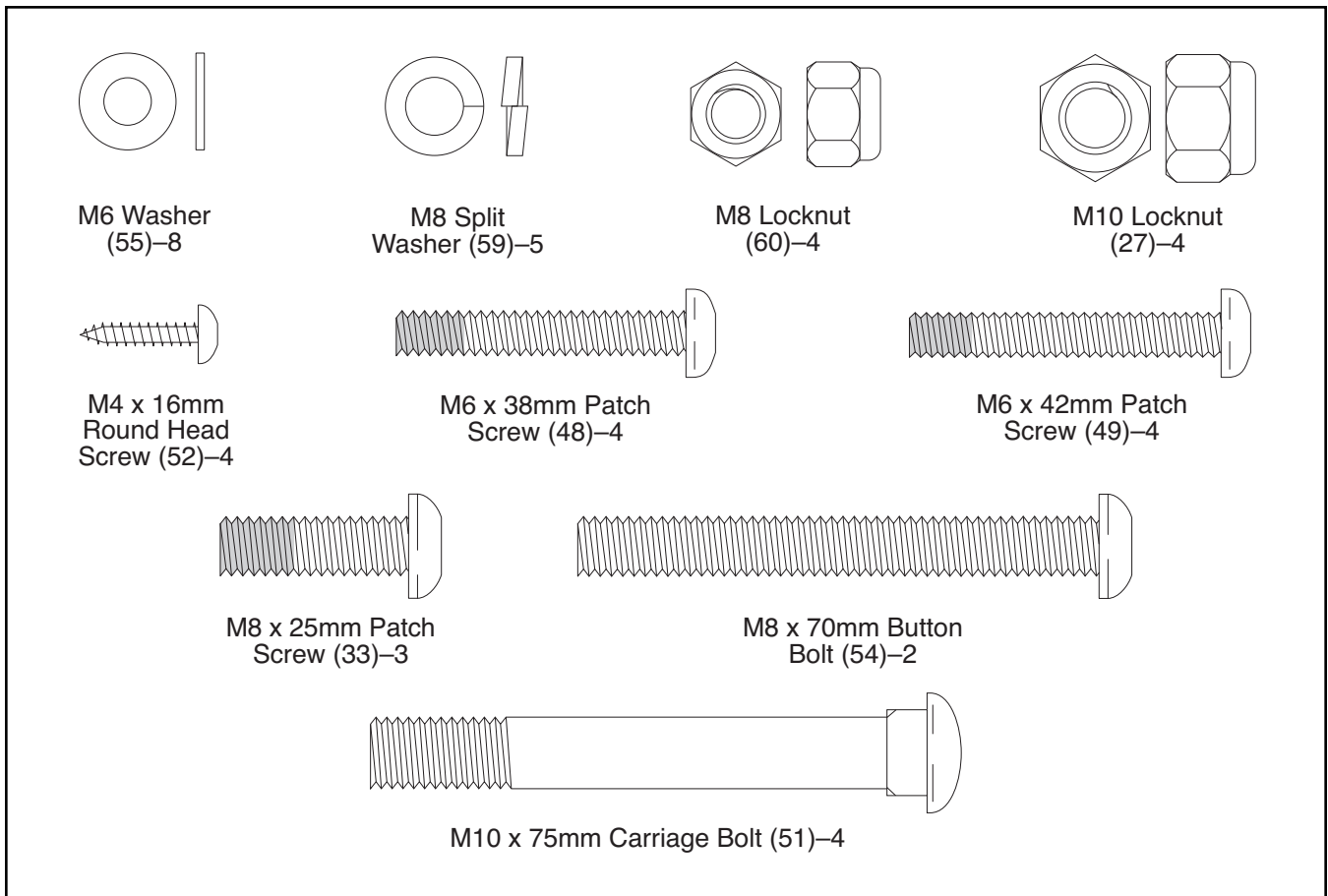
ASSEMBLY

To hire an authorized service technician to assemble the exercise cycle, call 1-800-445-2480.

Assembly requires two persons. Place all parts of the exercise cycle in a cleared area and remove the packing materials. Do not dispose of the packing materials until assembly is completed.

In addition to the included tool(s), assembly requires a Phillips screwdriver  and an adjustable wrench .

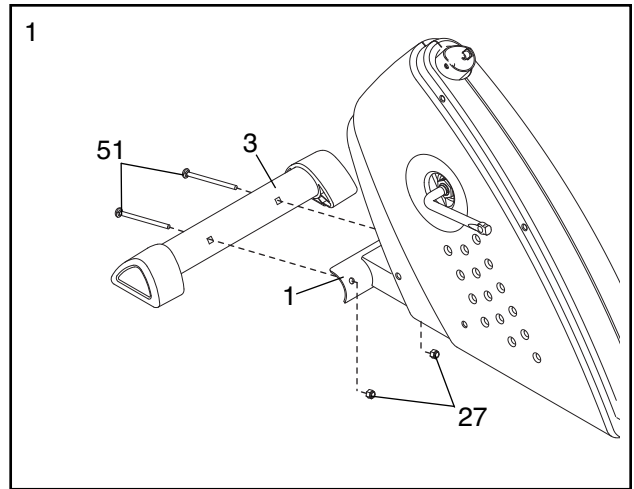
As you assemble the exercise cycle, use the drawings below to identify small parts. The number in parentheses below each drawing is the key number of the part, from the PART LIST near the end of this manual. The number following the key number is the quantity needed for assembly. **Note: Some small parts may have been pre-assembled. If a part is not in the hardware kit, check to see if it has been preassembled.**



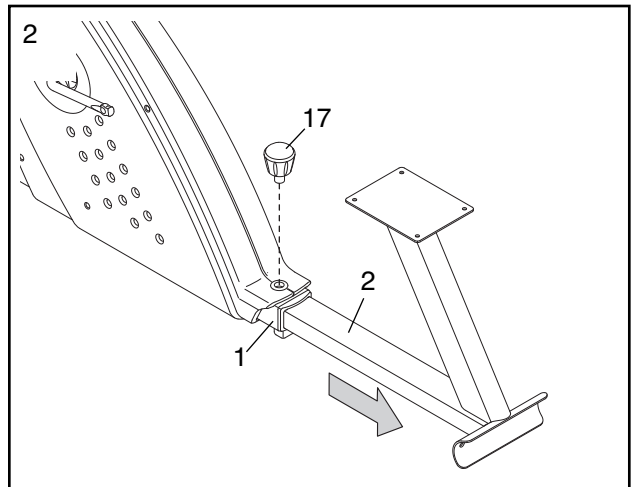
1.

To make assembly easier, read the information on page 5 before you begin assembling the exercise cycle.

While another person lifts the front of the Frame (1), attach the Front Stabilizer (3) to the Frame with two M10 x 75mm Carriage Bolts (51) and two M10 Locknuts (27).

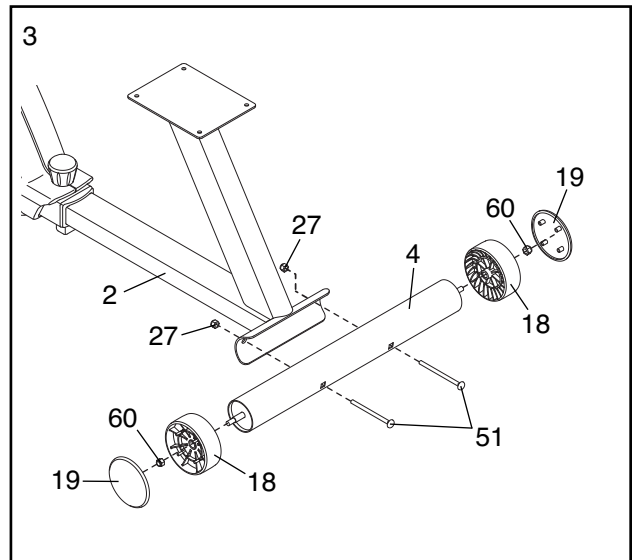


2. Slide the Rear Frame (2) out of the Frame (1), and then tighten the Adjustment Knob (17) into the Frame.

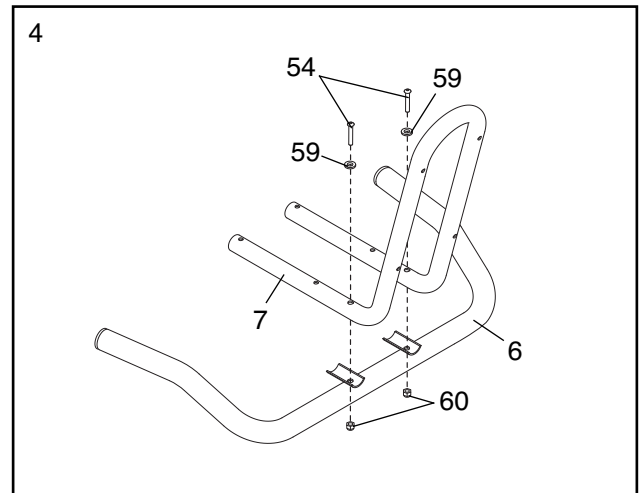


3. Attach each Wheel (18) to the Rear Stabilizer (4) with an M8 Locknut (60). Press a Wheel Cap (19) onto each Wheel.

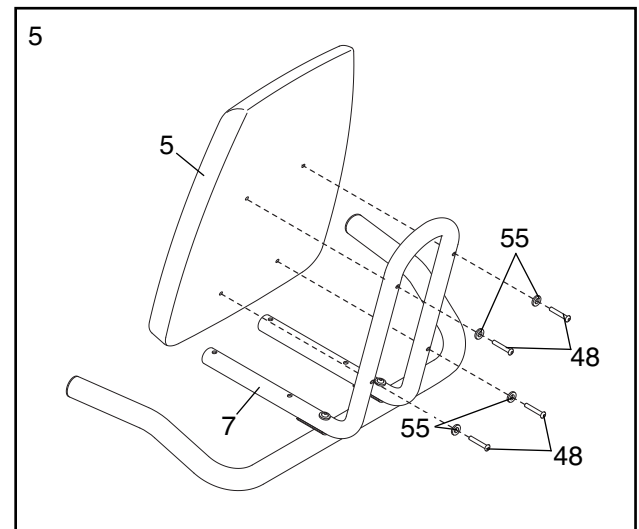
Attach the Rear Stabilizer (4) to the Rear Frame (2) with two M10 x 75mm Carriage Bolts (51) and two M10 Locknuts (27).



4. Attach the Seat Frame (7) to the Handlebar (6) with two M8 x 70mm Button Bolts (54), two M8 Split Washers (59), and two M8 Locknuts (60). **Do not tighten the Button Bolts yet.**



5. Attach the Backrest (5) to the Seat Frame (7) with four M6 x 38mm Patch Screws (48) and four M6 Washers (55). **Do not tighten the Button Screws yet.**

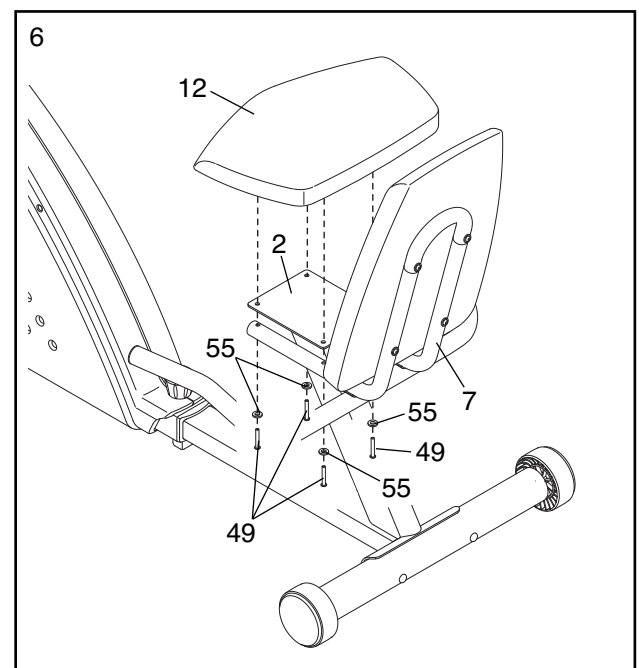


6. Have another person hold the Seat Frame (7) under the Rear Frame (2) as shown.

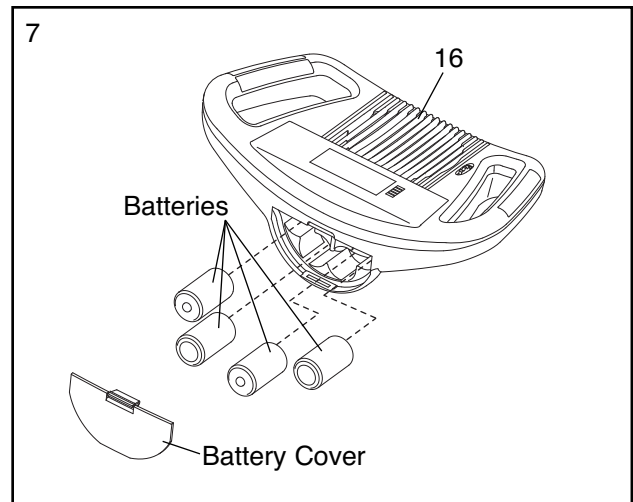
Attach the Seat Frame (7) and the Seat (12) to the Rear Frame (2) with four M6 x 42mm Patch Screws (49) and four M6 Washers (55).

See step 4. Tighten the two M8 x 70mm Button Bolts (54).

See step 5. Tighten the four M6 x 38mm Patch Screws (48).

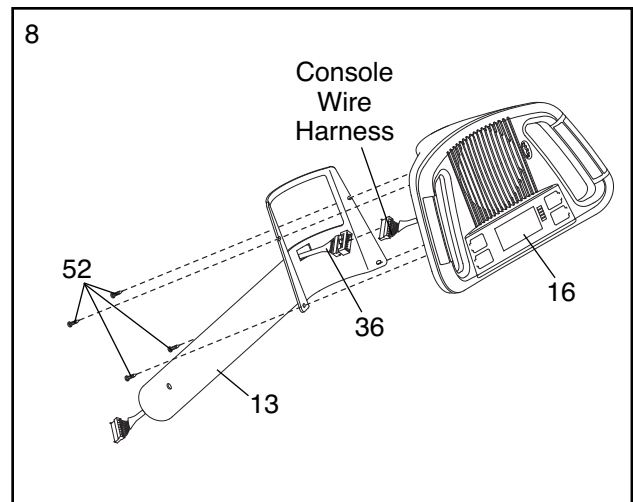


7. The Console (16) can use four 1.5V D batteries (not included); alkaline batteries are recommended. **IMPORTANT: If the Console has been exposed to cold temperatures, allow it to warm to room temperature before inserting batteries. Otherwise, you may damage the console displays or other electronic components.** Remove the battery cover, insert the batteries into the battery compartment, and reattach the battery cover. **Make sure to orient the batteries as shown by the diagram inside the battery compartment.**



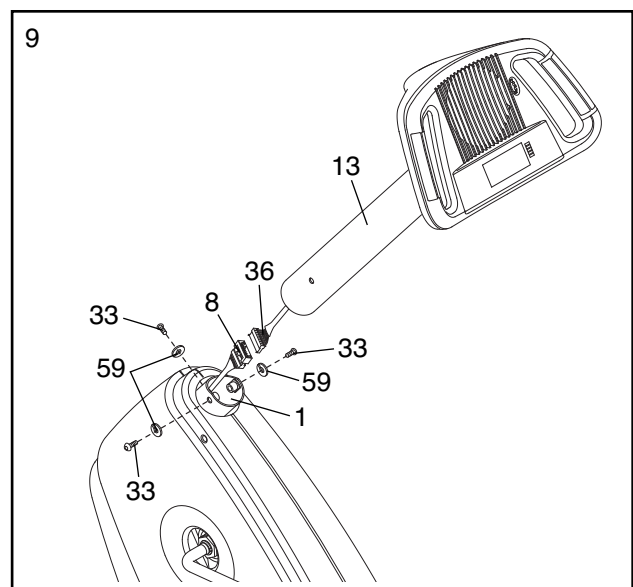
8. Connect the console wire harness to the Upper Wire Harness (36). Insert the excess wire harness into the Upright (13).

Attach the Console (16) to the Upright (13) with four M4 x 16mm Round Head Screws (52).



9. Connect the Upper Wire Harness (36) to the Lower Wire Harness (8).

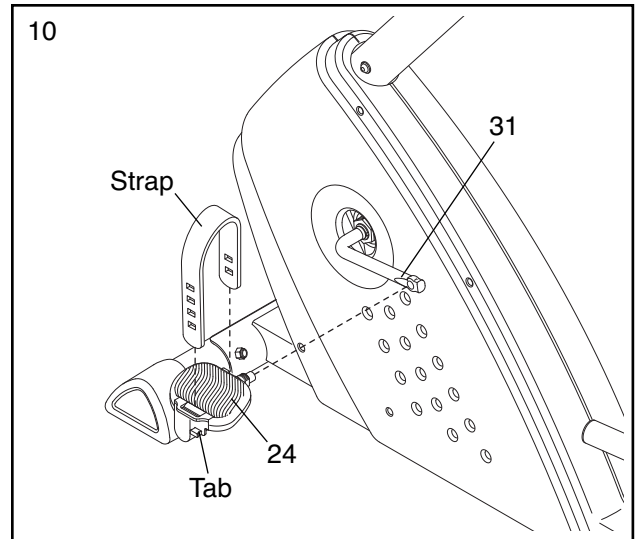
Tip: Avoid pinching the wire harnesses. Attach the Upright (13) to the Frame (1) with three M8 x 25mm Patch Screws (33) and three M8 Split Washers (59).



10. Identify the Left Pedal (24), which is marked with a "Left" sticker. Firmly tighten the Left Pedal *counter-clockwise* into the left arm of the Crank (31). Tighten the Right Pedal (not shown) *clockwise* into the right arm of the Crank.

IMPORTANT: Tighten the pedals as firmly as possible. After using the exercise cycle for one week, retighten the pedals. For best performance, keep the pedals tightened.

Adjust the strap on the Left Pedal (24) to the desired position, and press the end of the strap onto the tab on the Left Pedal (24). **Adjust the strap on the Right Pedal (not shown) in the same way.**

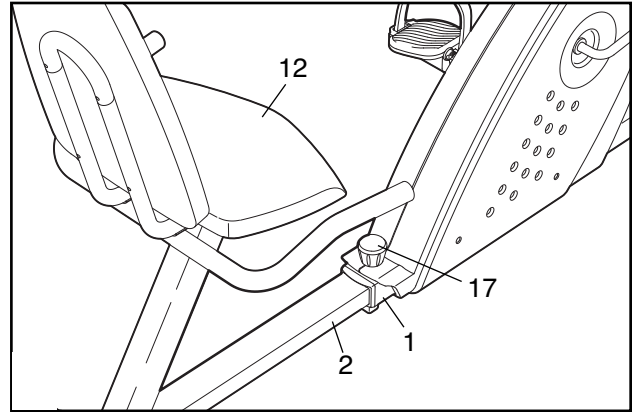


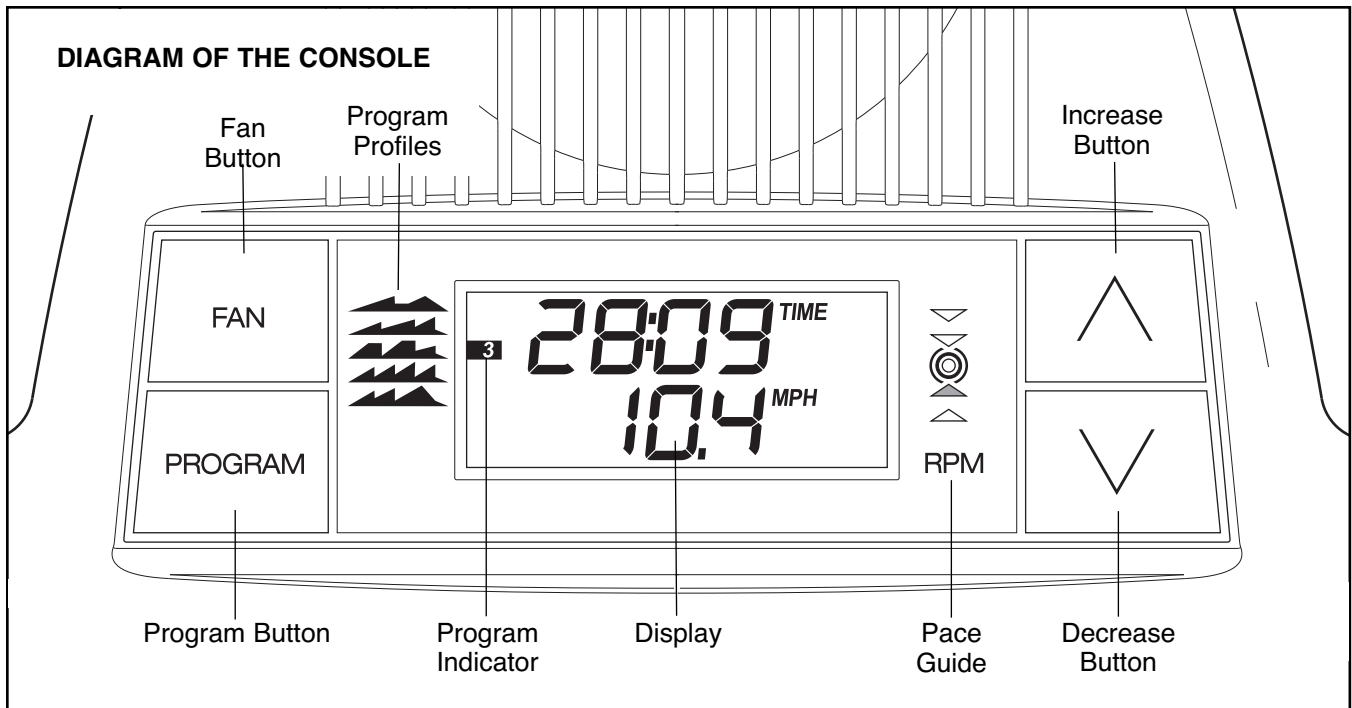
11. **Make sure that all parts are properly tightened before you use the exercise cycle.** Note: Some hardware may be left over after assembly is completed. Place a mat beneath the exercise cycle to protect the floor.

HOW TO USE THE EXERCISE CYCLE

HOW TO ADJUST THE SEAT

After the exercise cycle is assembled, adjust the Seat (12) to the proper position. As you pedal, there should be a slight bend in your knees when the pedals are in the farthest forward position. To adjust the Seat, loosen the Adjustment Knob (17), slide the Rear Frame (2) forward or backward in the Frame (1), and then tighten the Adjustment Knob.





FEATURES OF THE CONSOLE

This advanced console offers a selection of features designed to make your workouts more effective. When you use the manual mode of the console, you can change the resistance of the pedals with the touch of a button. As you pedal, the console will provide continuous exercise feedback. You can even measure your heart rate using the built-in handgrip pulse sensor.

The console also offers five preset programs that automatically change the resistance of the pedals and prompt you to vary your pedaling pace while guiding you through an effective workout.

To use the manual mode of the console, see the instructions at the right. **To use a preset program,** see page 13.

Before using the console, make sure that batteries are installed (see assembly step 7 on page 8). If there is a sheet of clear plastic on the display, remove the plastic.

HOW TO USE THE MANUAL MODE

1. Turn on the console.

To turn on the console, press the Increase button or begin pedaling. The pace guide will light for a moment; the console will then be ready for use.

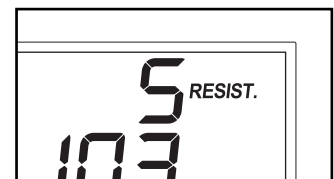
2. Select the manual mode.

When you turn on the console, the manual mode will be selected. If you have selected a program, reselect the manual mode by pressing the Program button repeatedly until no program indicators (see the drawing above) appear along the left side of the display.

3. Change the resistance of the pedals as desired.

As you pedal, change the resistance of the pedals by pressing the Increase and Decrease buttons.

There are ten resistance levels. Note: After you press the buttons, it will take a moment for the pedals to reach the selected resistance level.



4. Follow your progress with the display.

The upper half of the display will show the elapsed time, the distance you have pedaled, and the resistance level of the pedals.



The display will change modes every few seconds. Note: When a preset program is selected, the display will show the time remaining in the program instead of the elapsed time.

The lower half of the display will show your pedaling speed and the approximate number of calories you have burned. The



display will change modes every few seconds. The lower half of the display will also show your heart rate when you use the handgrip pulse sensor (see step 5).

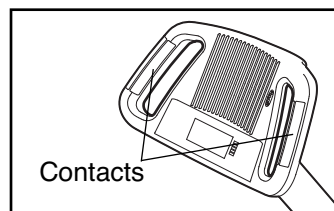
Note: The console can display speed and distance in either miles or kilometers. The letters MPH or KM/H will



appear in the lower half of the display to indicate the selected unit of measurement. To change the unit of measurement, first hold down the Program button for several seconds. An E (for English) or an M (for metric) will appear in the display. Press the Increase button to change the unit of measurement. When the desired unit of measurement is selected, press the Program button again. Note: When you replace the batteries, it may be necessary to reselect the unit of measurement.

5. Measure your heart rate if desired.

If there are sheets of clear plastic on the metal contacts on the handgrip pulse sensor, remove the plastic. Next, hold the handgrip pulse sensor with your palms resting on the contacts. When your pulse is detected, the heart-



shaped indicator in the lower half of the display will flash each time your heart beats, and then your heart rate will appear in the display.

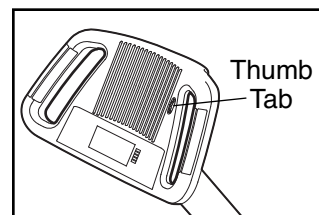
For the most accurate heart rate reading, continue to hold the handgrip pulse sensor for about 30 seconds. Note: If you continue to hold the handgrip pulse sensor, the display will show your heart rate for about 30 seconds. The display will then show your heart rate along with the other modes.

If your heart rate does not appear, make sure that your hands are positioned as described. Avoid moving your hands excessively or squeezing the metal contacts too tightly. For optimal performance, periodically clean the metal contacts using a soft cloth; **never use alcohol, abrasives, or chemicals to clean the contacts.**

6. Turn on the fan if desired.

To turn on the fan at low speed, press the Fan button. To turn on the fan at high speed, press the Fan button a second time. To turn off the fan, press the Fan button a third time. Note: If the fan is turned on but the pedals do not move for thirty seconds, the fan will automatically turn off to conserve the batteries.

Rotate the thumb tab on the right side of the fan to adjust the angle of the fan.



7. When you are finished exercising, the console will turn off automatically.

If the pedals do not move for a few seconds, the time will begin to flash in the display and the console will pause. If the pedals do not move for a few minutes, the console will turn off and the display will be reset.

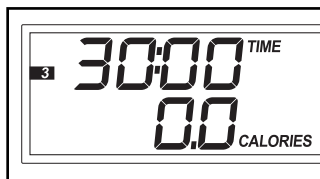
HOW TO USE A PRESET PROGRAM

1. Turn on the console.

See step 1 on page 11.

2. Select a preset program.

To select a preset program, press the Program button repeatedly until the number 1, 2, 3, 4, or 5 appears along the left side of the display. When you select a preset program, the display will show how long the program will last.



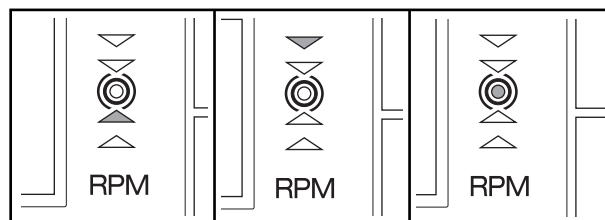
3. Begin pedaling to start the program.

Each preset program consists of 30 one-minute segments. One resistance level and one target pace are programmed for each segment.

At the end of each segment, the resistance level will flash in the display for a few seconds. The resistance of the pedals will then automatically change to the resistance level programmed for the next segment. Note: If the resistance level is too low or too high, you can override it by pressing the Increase and Decrease buttons. However, when the current segment ends, the resistance will automatically change to the resistance level programmed for the next segment.

During the program, the pace guide will prompt you to keep your pedaling pace near the target pace programmed for the current segment. When one of the two lower indicators lights, increase

your pace; when one of the two upper indicators lights, decrease your pace. When the center indicator lights, maintain your current pace. **IMPORTANT: The pace guide is intended only to provide a goal. Make sure to pedal at a pace that is comfortable for you.**



The display will show the time remaining in the program. If you stop pedaling for a few seconds, the program will pause and the time will flash in the display. To restart the program, simply resume pedaling.

4. Follow your progress with the display.

See step 4 on page 12.

5. Measure your heart rate if desired.

See step 5 on page 12.

6. Turn on the fan if desired.

See step 6 on page 12.

7. When you are finished exercising, the console will turn off automatically.

See step 7 on page 12.

MAINTENANCE AND TROUBLESHOOTING

Inspect and properly tighten all parts of the exercise cycle regularly. Replace any worn parts immediately.

To clean the exercise cycle, use a damp cloth and a small amount of liquid dish soap. **IMPORTANT: To avoid damaging the console, keep liquids away from the console and keep the console out of direct sunlight.**

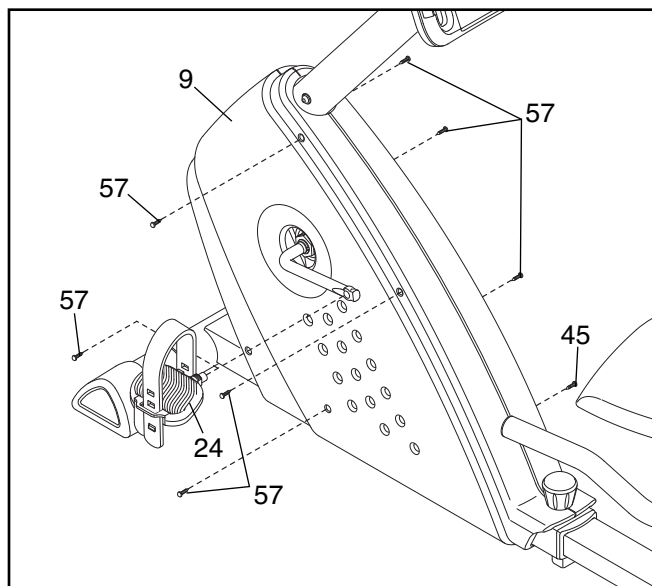
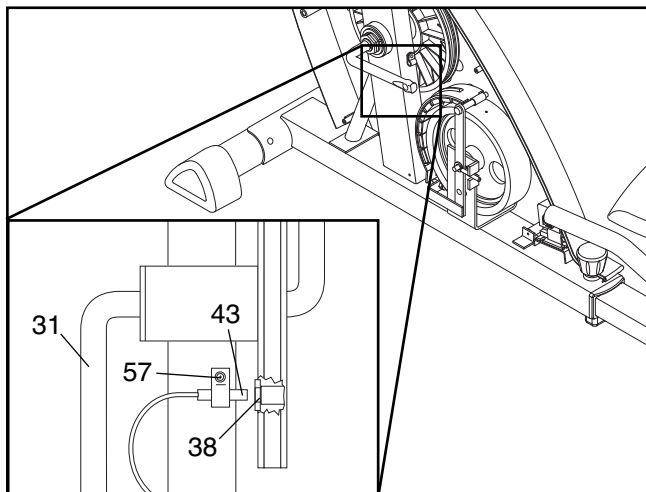
CONSOLE TROUBLESHOOTING

If the console display becomes dim, the batteries should be replaced; most console problems are the result of low batteries. To replace the batteries, see assembly step 7 on page 8. If the handgrip pulse sensor does not function properly, see step 5 on page 12.

HOW TO ADJUST THE REED SWITCH

If the console does not display correct feedback, the reed switch should be adjusted. To adjust the reed switch, you must first remove the Left Shield (9). Using an adjustable wrench, turn the Left Pedal (24) clockwise and remove it. Next, remove the seven M4 x 16mm Screws (57) and the M4 x 25mm Screw (45). Then, carefully remove the Left Shield.

With the left shield removed, locate the Reed Switch (43). Turn the Crank (31) until the Magnet (38) is aligned with the Reed Switch. Next, loosen, but do not remove, the indicated M4 x 16mm Screw (57). Slide the Reed Switch slightly closer to or away from the Magnet, and then retighten the Screw. Turn the Crank for a moment. Repeat until the console displays correct feedback. When the Reed Switch is correctly adjusted, reattach the left shield and the left pedal.



EXERCISE GUIDELINES

⚠ WARNING: Before beginning this or any exercise program, consult your physician. This is especially important for persons over the age of 35 or persons with pre-existing health problems.

The pulse sensor is not a medical device. Various factors may affect the accuracy of heart rate readings. The pulse sensor is intended only as an exercise aid in determining heart rate trends in general.

These guidelines will help you to plan your exercise program. For detailed exercise information, obtain a reputable book or consult your physician. Remember, proper nutrition and adequate rest are essential for successful results.

EXERCISE INTENSITY

Whether your goal is to burn fat or to strengthen your cardiovascular system, exercising at the proper intensity is the key to achieving results. You can use your heart rate as a guide to find the proper intensity level. The chart below shows recommended heart rates for fat burning and aerobic exercise.

165	155	145	140	130	125	115	♥
145	138	130	125	118	110	103	♥
125	120	115	110	105	95	90	♥
<hr/>							
20	30	40	50	60	70	80	

To find the proper intensity level, find your age at the bottom of the chart (ages are rounded off to the nearest ten years). The three numbers listed above your age define your “training zone.” The lowest number is the heart rate for fat burning, the middle number is the heart rate for maximum fat burning, and the highest number is the heart rate for aerobic exercise.

Burning Fat—To burn fat effectively, you must exercise at a low intensity level for a sustained period of time. During the first few minutes of exercise, your body uses *carbohydrate calories* for energy. Only after the first few minutes of exercise does your body begin to use stored *fat calories* for energy. If your goal is to burn fat, adjust the intensity of your exercise until your heart rate is near the lowest number in your training zone. For maximum fat burning, exercise with your heart rate near the middle number in your training zone.

Aerobic Exercise—If your goal is to strengthen your cardiovascular system, you must perform aerobic exercise, which is activity that requires large amounts of oxygen for prolonged periods of time. For aerobic exercise, adjust the intensity of your exercise until your heart rate is near the highest number in your training zone.

WORKOUT GUIDELINES

Warming Up—Start with 5 to 10 minutes of stretching and light exercise. A warm-up increases your body temperature, heart rate, and circulation in preparation for exercise.

Training Zone Exercise—Exercise for 20 to 30 minutes with your heart rate in your training zone. (During the first few weeks of your exercise program, do not keep your heart rate in your training zone for longer than 20 minutes.) Breathe regularly and deeply as you exercise—never hold your breath.

Cooling Down—Finish with 5 to 10 minutes of stretching. Stretching increases the flexibility of your muscles and helps to prevent post-exercise problems.

EXERCISE FREQUENCY

To maintain or improve your condition, complete three workouts each week, with at least one day of rest between workouts. After a few months of regular exercise, you may complete up to five workouts each week, if desired. Remember, the key to success is to make exercise a regular and enjoyable part of your everyday life.

SUGGESTED STRETCHES

The correct form for several basic stretches is shown at the right. Move slowly as you stretch—never bounce.

1. Toe Touch Stretch

Stand with your knees bent slightly and slowly bend forward from your hips. Allow your back and shoulders to relax as you reach down toward your toes as far as possible. Hold for 15 counts, then relax. Repeat 3 times. Stretches: Hamstrings, backs of knees, and back.

2. Hamstring Stretch

Sit with one leg extended. Bring the sole of the opposite foot toward you and rest it against the inner thigh of your extended leg. Reach toward your toes as far as possible. Hold for 15 counts, then relax. Repeat 3 times for each leg. Stretches: Hamstrings, lower back, and groin.

3. Calf/Achilles Stretch

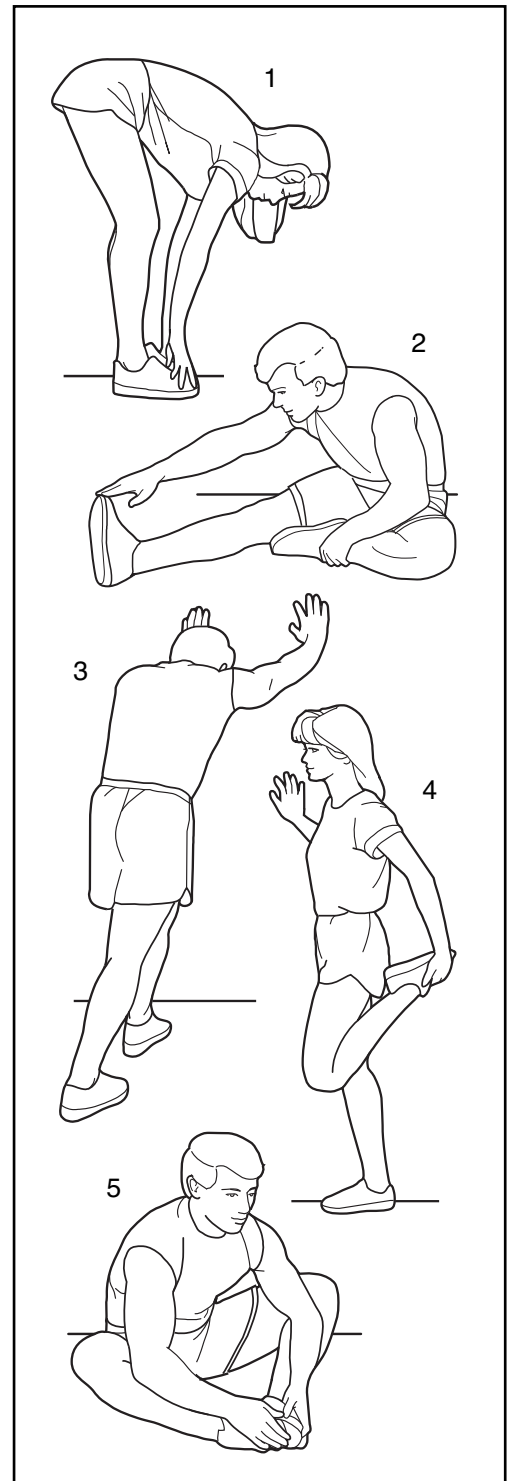
With one leg in front of the other, reach forward and place your hands against a wall. Keep your back leg straight and your back foot flat on the floor. Bend your front leg, lean forward, and move your hips toward the wall. Hold for 15 counts, then relax. Repeat 3 times for each leg. To cause further stretching of the achilles tendons, bend your back leg as well. Stretches: Calves, achilles tendons, and ankles.

4. Quadriceps Stretch

With one hand against a wall for balance, reach back and grasp one foot with your other hand. Bring your heel as close to your buttocks as possible. Hold for 15 counts, then relax. Repeat 3 times for each leg. Stretches: Quadriceps and hip muscles.

5. Inner Thigh Stretch

Sit with the soles of your feet together and your knees outward. Pull your feet toward your groin as far as possible. Hold for 15 counts, then relax. Repeat 3 times. Stretches: Quadriceps and hip muscles.



NOTES

PART LIST—Model No. WLEX91908.0

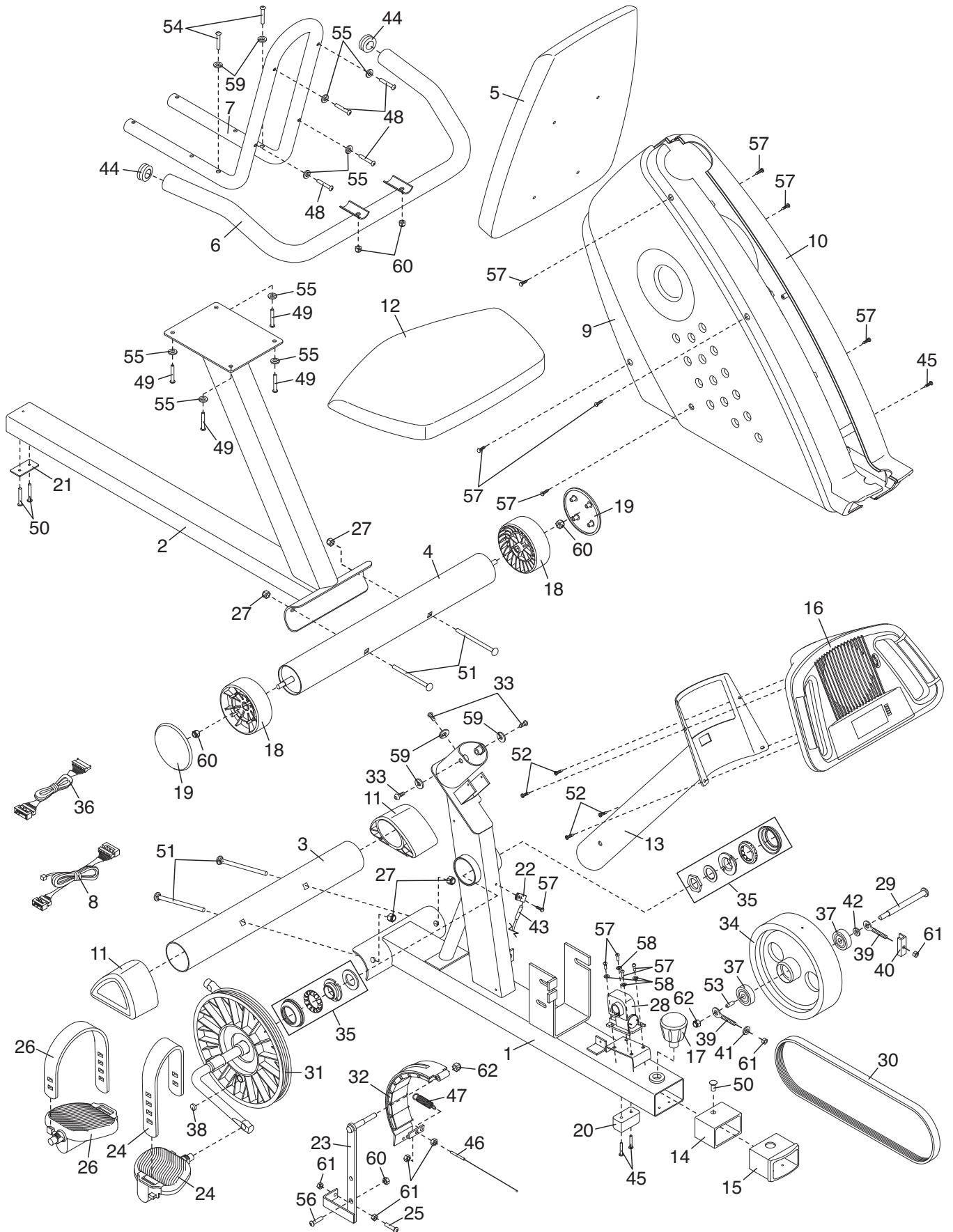
R0808A

Key No.	Qty.	Description	Key No.	Qty.	Description
1	1	Frame	33	3	M8 x 25mm Patch Screw
2	1	Rear Frame	34	1	Flywheel
3	1	Front Stabilizer	35	1	Crank Bearing Assembly
4	1	Rear Stabilizer	36	1	Upper Wire Harness
5	1	Backrest	37	2	Bearing
6	1	Handlebar	38	1	Magnet
7	1	Seat Frame	39	2	Tension Bolt
8	1	Lower Wire Harness	40	1	Tension Bracket
9	1	Left Shield	41	1	M8 Washer
10	1	Right Shield	42	1	Flywheel Washer
11	2	Stabilizer Cap	43	1	Reed Switch/Wire
12	1	Seat	44	2	Handlebar Cap
13	1	Upright	45	3	M4 x 25mm Screw
14	1	Front Bushing	46	1	Resistance Cable
15	1	Rear Bushing	47	1	Return Spring
16	1	Console	48	4	M6 x 38mm Patch Screw
17	1	Adjustment Knob	49	4	M6 x 42mm Patch Screw
18	2	Wheel	50	3	M4 x 16mm Flat Head Screw
19	2	Wheel Cap	51	4	M10 x 75mm Carriage Bolt
20	1	Frame Pad	52	4	M4 x 16mm Round Head Screw
21	1	Frame Stop	53	1	5mm Spacer
22	1	Reed Switch Clamp	54	2	M8 x 70mm Button Bolt
23	1	C-magnet Bracket	55	8	M6 Washer
24	1	Left Pedal/Strap	56	1	M8 x 20mm Button Bolt
25	1	M6 x 38mm Bolt	57	12	M4 x 16mm Screw
26	1	Right Pedal/Strap	58	4	M5 Washer
27	4	M10 Locknut	59	5	M8 Split Washer
28	1	Resistance Motor	60	5	M8 Locknut
29	1	Flywheel Axle	61	6	M6 Nut
30	1	Belt	62	2	M8 Jam Nut
31	1	Pulley/Crank	*	—	User's Manual
32	1	C-magnet	*	—	Hex Key

Note: Specifications are subject to change without notice. See the back cover of this manual for information about ordering replacement parts. *These parts are not illustrated.

EXPLODED DRAWING—Model No. WLEX91908.0

R0808A



ORDERING REPLACEMENT PARTS

To order replacement parts, please see the front cover of this manual. To help us assist you, be prepared to provide the following information when contacting us:

- the model number and serial number of the product (see the front cover of this manual)
- the name of the product (see the front cover of this manual)
- the key number and description of the replacement part(s) (see the PART LIST and the EXPLODED DRAWING near the end of this manual)

LIMITED WARRANTY

ICON Health & Fitness, Inc. (ICON) warrants this product to be free from defects in workmanship and material, under normal use and service conditions. Parts and labor are warranted for ninety (90) days from the date of purchase.

This warranty extends only to the original purchaser. ICON's obligation under this warranty is limited to repairing or replacing, at ICON's option, the product through one of its authorized service centers. All repairs for which warranty claims are made must be preauthorized by ICON. If the product is shipped to a service center, freight charges to and from the service center will be the customer's responsibility. For replacement parts shipped while the product is under warranty, the customer will be responsible for a minimal handling charge. For in-home service, the customer will be responsible for a minimal trip charge. This warranty does not extend to any damage to a product caused by or attributable to freight damage, abuse, misuse, improper or abnormal usage, or repairs not provided by an ICON authorized service center; products used for commercial or rental purposes; or products used as store display models. No other warranty beyond that specifically set forth above is authorized by ICON.

ICON is not responsible or liable for indirect, special, or consequential damages arising out of or in connection with the use or performance of the product; damages with respect to any economic loss, loss of property, loss of revenues or profits, loss of enjoyment or use, or costs of removal or installation; or other consequential damages of whatsoever nature. Some states do not allow the exclusion or limitation of incidental or consequential damages. Accordingly, the above limitation may not apply to you.

The warranty extended hereunder is in lieu of any and all other warranties, and any implied warranties of merchantability or fitness for a particular purpose are limited in their scope and duration to the terms set forth herein. Some states do not allow limitations on how long an implied warranty lasts. Accordingly, the above limitation may not apply to you.

This warranty gives you specific legal rights. You may also have other rights that vary from state to state.

ICON Health & Fitness, Inc., 1500 S. 1000 W., Logan, UT 84321-9813