

WESLO[®] DayBreak

Steam Chamber

Model No. WLHS27080

QUESTIONS?

As a manufacturer, we are committed to providing complete customer satisfaction. If you have questions, or if there are missing or damaged parts, we will guarantee complete satisfaction through direct assistance from our factory.

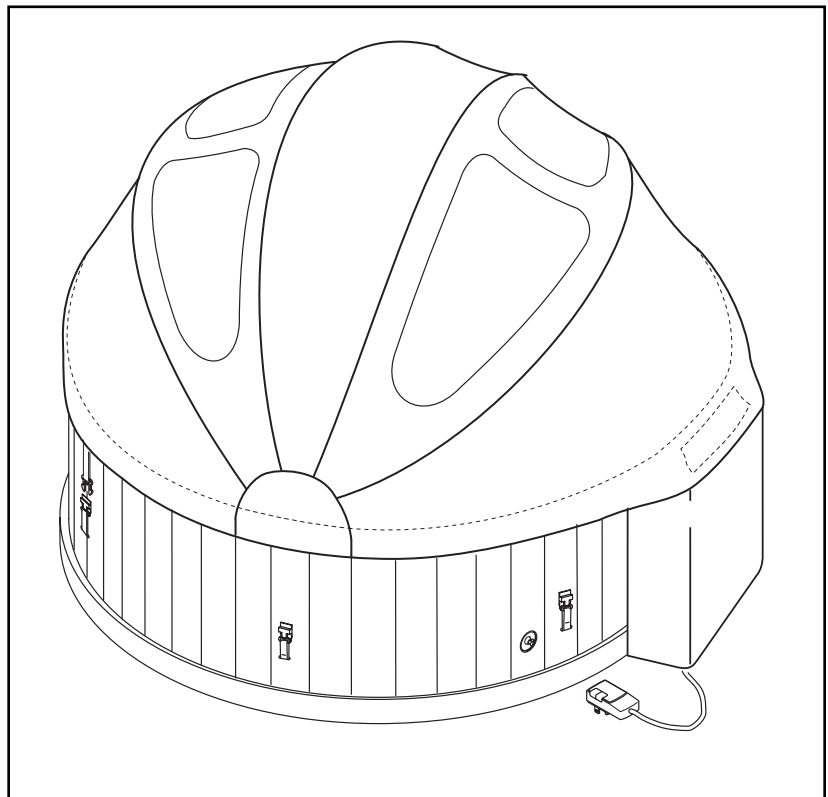
TO AVOID UNNECESSARY DELAYS, PLEASE CALL DIRECT TO OUR TOLL-FREE CUSTOMER HOT LINE. The trained technicians on our customer hot line will provide immediate assistance, free of charge to you.

CUSTOMER HOT LINE:
1-800-999-3756
Mon.–Fri., 6 a.m.–6 p.m. MST

CAUTION

Read all precautions and instructions in this manual before using this equipment. Save this manual for future reference.

USER'S MANUAL



Before You Begin

Thank you for selecting the innovative WESLO[®] DayBreak Steam Chamber. This product is designed to enhance the enjoyment of your spa by providing privacy, protection from the elements and a relaxing steam environment. At the same time, the Steam Chamber is designed to fold away easily when not in use.

For your benefit, read this manual carefully before using the WESLO Steam Chamber. If you have additional questions, please call our Customer Service Department at the number shown above. To help us assist you, please note the product model number before calling. The model number is WLHS27080.

WARNING: To reduce the risk of serious injury, read the following precautions and all instructions in this manual before using the Steam Chamber.

1. Stay off the Steam Chamber at all times; it is not designed to support weight.
2. Always keep children away from the Steam Chamber and the spa. If the children are under the cover, they cannot be seen.
3. Always keep the screens open during use to allow for proper ventilation and to prevent the temperature under the Steam Chamber from reaching dangerous levels.
4. Always tie the screen covers down when the screens are open (tie-downs are mounted inside the Steam Chamber).
5. Limit the time spent in the spa to 30 minutes or less when the Steam Chamber is in use.
6. The Steam Chamber is NOT a safety cover.
7. Failure to follow all instructions, including the instructions found in your spa manual, may result in injury or drowning.
8. Lock the Steam Chamber in the folded-down position when it is not in use.

WARNING: Read all instructions before using. ICON assumes no responsibility for personal injury or property damage sustained by or through the use of this product.

Setting Up the Steam Chamber

Remove the cover from the spa. **Remove all water from the spa** (see the user's manual that came with your spa for instructions on how to drain the spa).

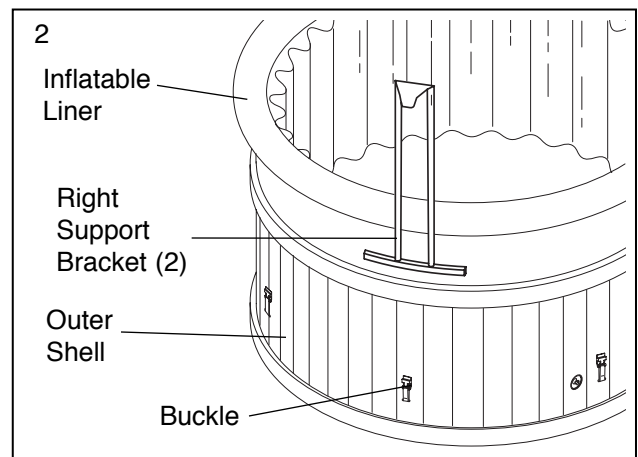
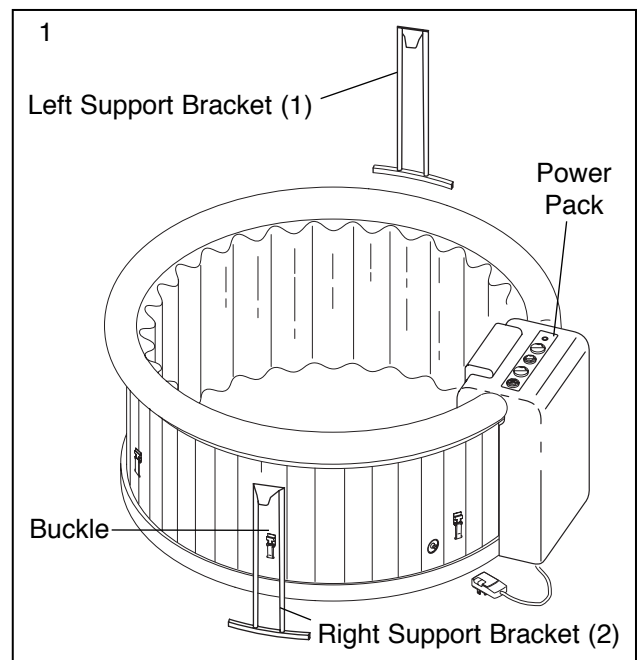
Position the two support brackets as shown in drawing 1. Take note that there is a small sticker with an arrow on each support bracket. The arrow must be pointing towards the power pack or jet pack of the spa. **Note: The support brackets are not identical. Make sure you have positioned the brackets exactly as described above.**

When the support brackets are in the correct positions, slide them down between the inflatable liner and the outer shell (cordura or wood panels) as shown in drawing 2. The support brackets should be centered over the existing buckles on the spa shell. **WARNING: Take great care to avoid damaging the inflatable liner.**

Unfold the tent and place it on the floor with the sleeves on the inside facing upward. Unfold and assemble the four tent poles just like outdoor tent poles.

Insert all four poles into the sleeves on the inside of the tent. Note: The four poles are identical. Turn the tent over, so the poles are now on the side facing the ground.

Note: The following steps are best performed by two persons. Position the tent over the spa. Take note that on one side the tent has two buckles hanging from straps. These buckles must be on the opposite side of the spa from the power pack.



Start with the Right Support Bracket. It is on the side of the spa where the power pack is to the right of the support bracket, as shown in drawing 3.

Press the socket on each tent pole onto one of the pivots on the support bracket. Note: It is very important that each pole is mounted on the correct pivot. Follow the sequence below:

- The tent pole that is first, counting from the power pack, goes onto the upper, inside pivot.
- The tent pole that is second, counting from the power pack, goes onto the upper, outside pivot.
- The tent pole that is third, counting from the power pack, goes onto the lower, outside pivot.
- The tent pole that is fourth, counting from the power pack, goes onto the lower, inside pivot.

Note: When mounting the poles on the other side of the spa, follow the exact same sequence described above, although the support bracket is a mirror image, as shown in drawing 4.

After the poles are mounted on the support brackets, clip the two buckles hanging from the tent onto the buckles already mounted on the spa shell, as shown in drawings 5 and 6.

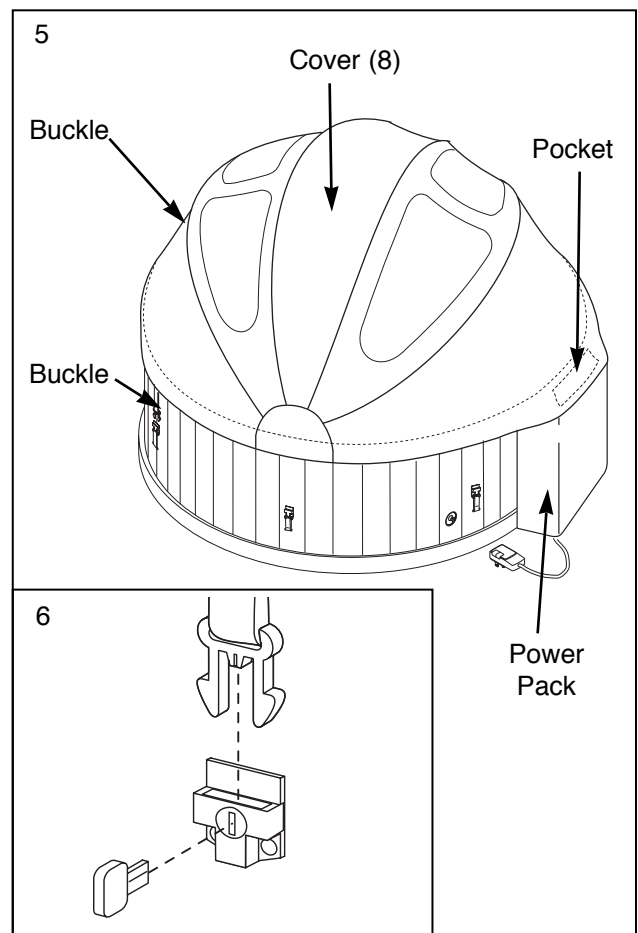
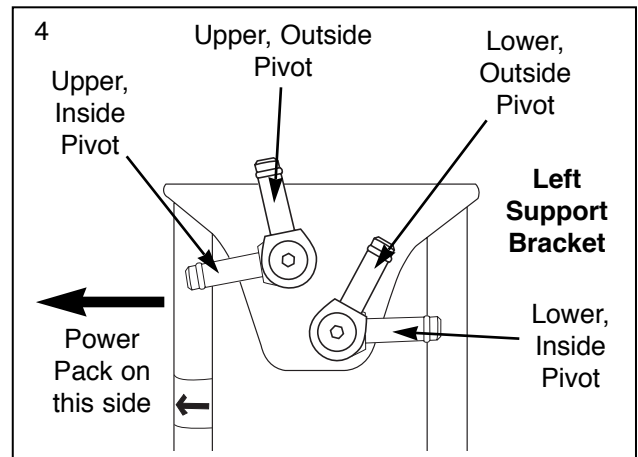
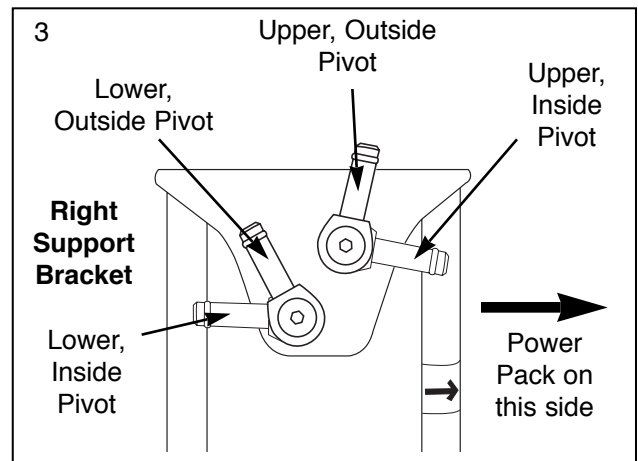
Place the black bag containing weights in the pocket located on the inside of the tent over the power pack of the spa (see drawing 5). Re-fill the spa with water.

Using the Steam Chamber

Folding down the Steam Chamber. When not in use, the spa tent should be folded down. To do this, simply lift up the tent pole closest to the power pack. Fold the tent all the way over, away from the power pack.

Unhook the two buckles from the spa shell. Wrap the webbing around the folded tent and hook the buckles into the buckles on the inside of the tent. **Always lock the buckles to prevent unauthorized use of the tent.** The spa cover can now be placed over the spa and hooked up normally (see the spa manual for instructions).

Folding Up the Steam Chamber. To fold up the tent, first remove the spa cover. Unlock and unhook the buckles holding the tent in place. Unfold the tent all the way and hook the two buckles on the tent into the buckles on the spa shell. Note: The spa cover cannot be installed while the spa tent is in the unfolded position.

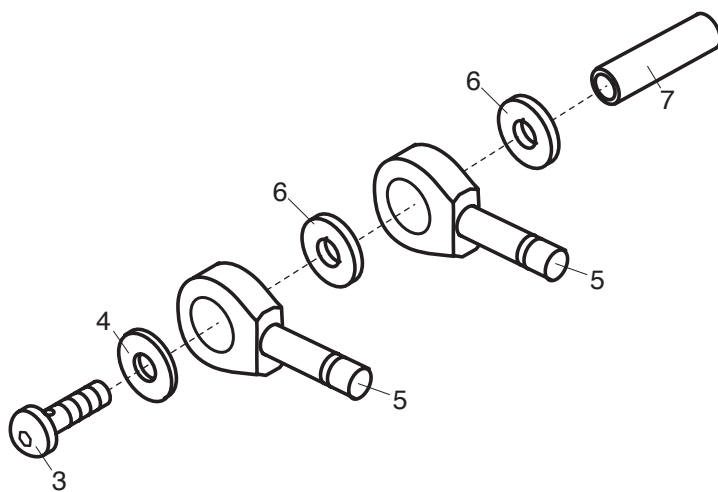


Ordering Replacement Parts

To order replacement parts, call our Customer Service Department toll-free at 1-800-999-3756, Monday through Friday, 6 a.m. until 6 p.m. Mountain Time (excluding holidays). To help us assist you, please be prepared to give the following information:

- The MODEL NUMBER of the product (WLHS27080).
- The NAME of the product (WESLO® DayBreak Steam Chamber).

Exploded Drawing and Part List



Key No.	Qty.	Description
1	1	Left Support Bracket *)
2	1	Right Support Bracket *)
3	4	3/8" Button Screw
4	4	1/2" Black Washer
5	8	Tent Pole Pivot
6	8	1/2" White Washer
7	4	3/8" x 1.5" Spacer
8	1	Cover *)
#	1	Weight Bag
#	2	Key
#	4	Tent Pole
#	1	User's Manual

Note: “#” indicates a non-illustrated part.
 *) Indicates a part that is illustrated in drawings elsewhere in the manual. Specifications are subject to change without notice.

Limited Warranty

ICON Health & Fitness, Inc. (ICON), warrants this product to be free from defects in workmanship and material, under normal use and service conditions, for a period of ninety (90) days from the date of purchase. This warranty extends only to the original purchaser. ICON's obligation under this warranty is limited to replacing or repairing, at ICON's option, the product at one of its authorized service centers. All products for which warranty claim is made must be received by ICON at one of its authorized service centers with all freight and other transportation charges prepaid, accompanied by sufficient proof of purchase. All returns must be pre-authorized by ICON. This warranty does not extend to any product or damage to a product caused by or attributable to freight damage, abuse, misuse, improper or abnormal usage or repairs not provided by an ICON authorized service center, products used for commercial or rental purposes, or products used as store display models. No other warranty beyond that specifically set forth above is authorized by ICON.

ICON is not responsible or liable for indirect, special or consequential damages arising out of or in connection with the use or performance of the product or damages with respect to any economic loss, loss of property, loss of revenues or profits, loss of enjoyment or use, costs of removal, installation or other consequential damages of whatsoever nature. Some states do not allow the exclusion or limitation of incidental or consequential damages. Accordingly, the above limitation may not apply to you.

The warranty extended hereunder is in lieu of any and all other warranties and any implied warranties of merchantability or fitness for a particular purpose is limited in its scope and duration to the terms set forth herein. Some states do not allow limitations on how long an implied warranty lasts. Accordingly, the above limitation may not apply to you.

This warranty gives you specific legal rights. You may also have other rights which vary from state to state.

ICON HEALTH & FITNESS, INC., 1500 S. 1000 W., LOGAN, UT 84321-9813