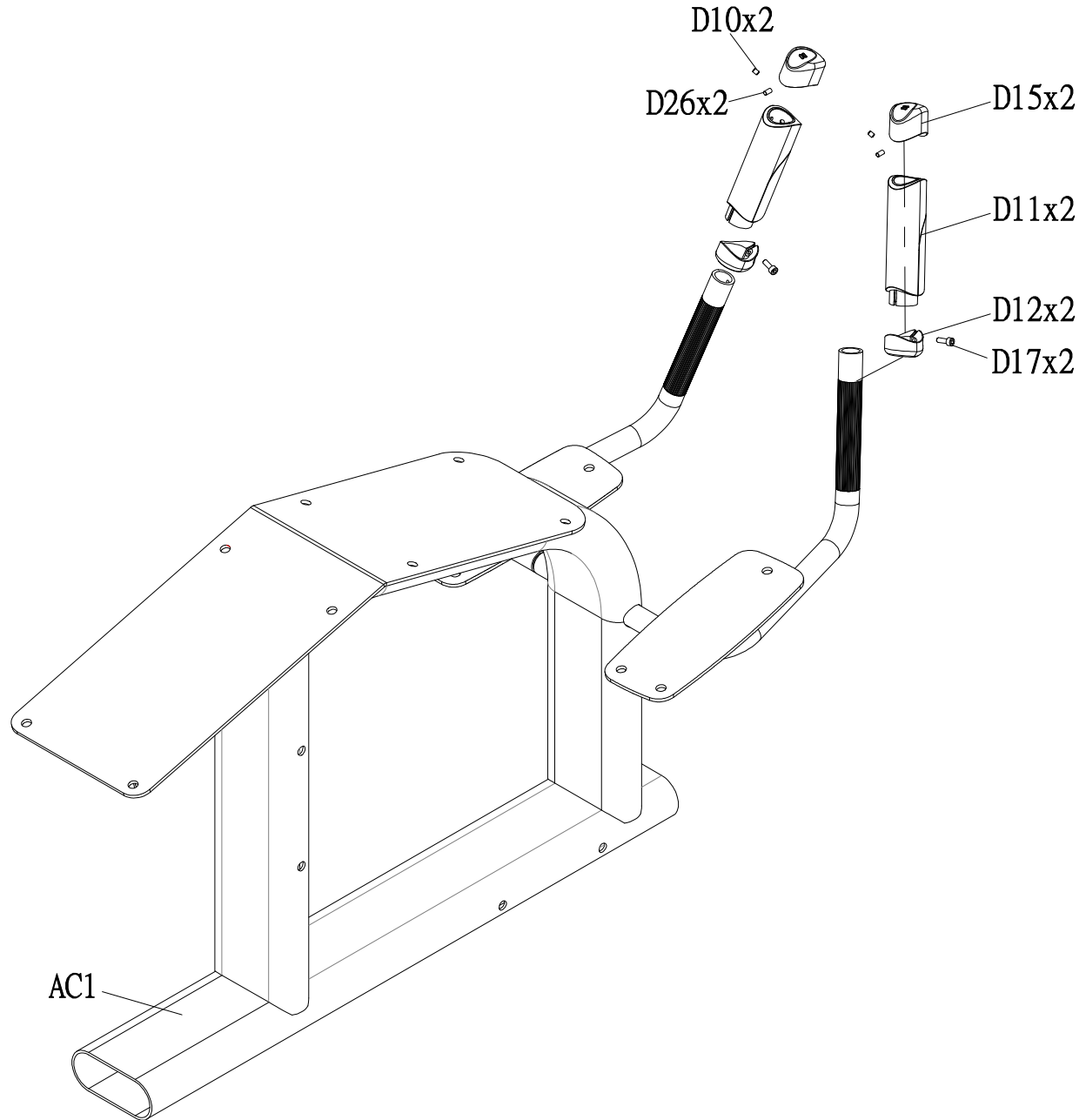





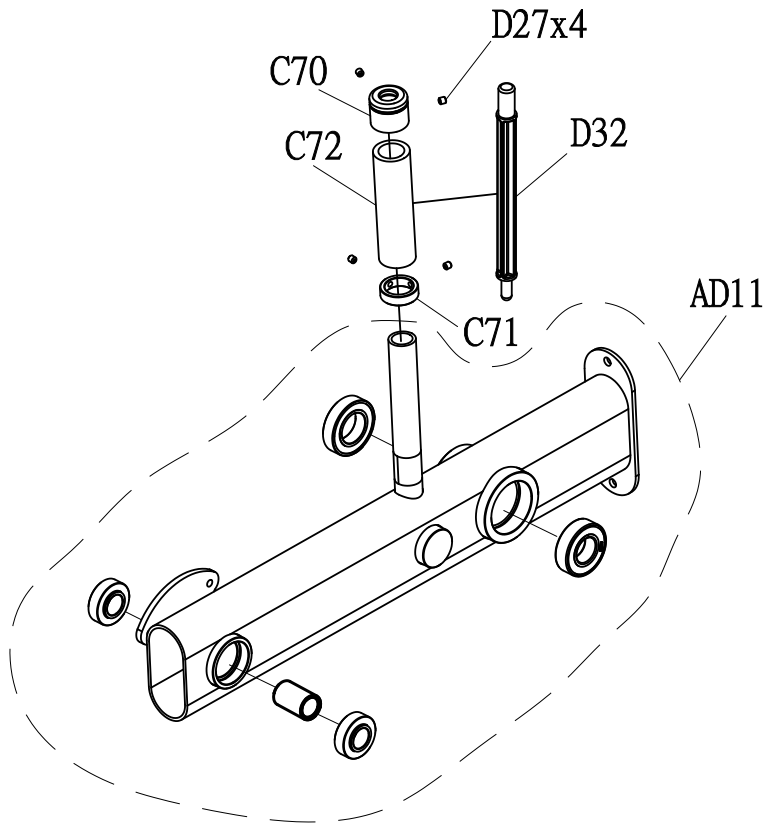
DRAWING NO	GM127F-AC01		
PART NAME	User Frame Set;Right		
PART NO	See Chart		A
APPROVE	WangZhiQing	DATE	06.24.2024


Part NO.	Color
1000504253	Iced Sliver
1000504254	Platinum
1000504255	Polarized Titanium
1000504256	Lace White
1000504257	Graphite ash
1000504258	Mat Black
1000504259	Black Glossy
1000517562	O-PF Purple



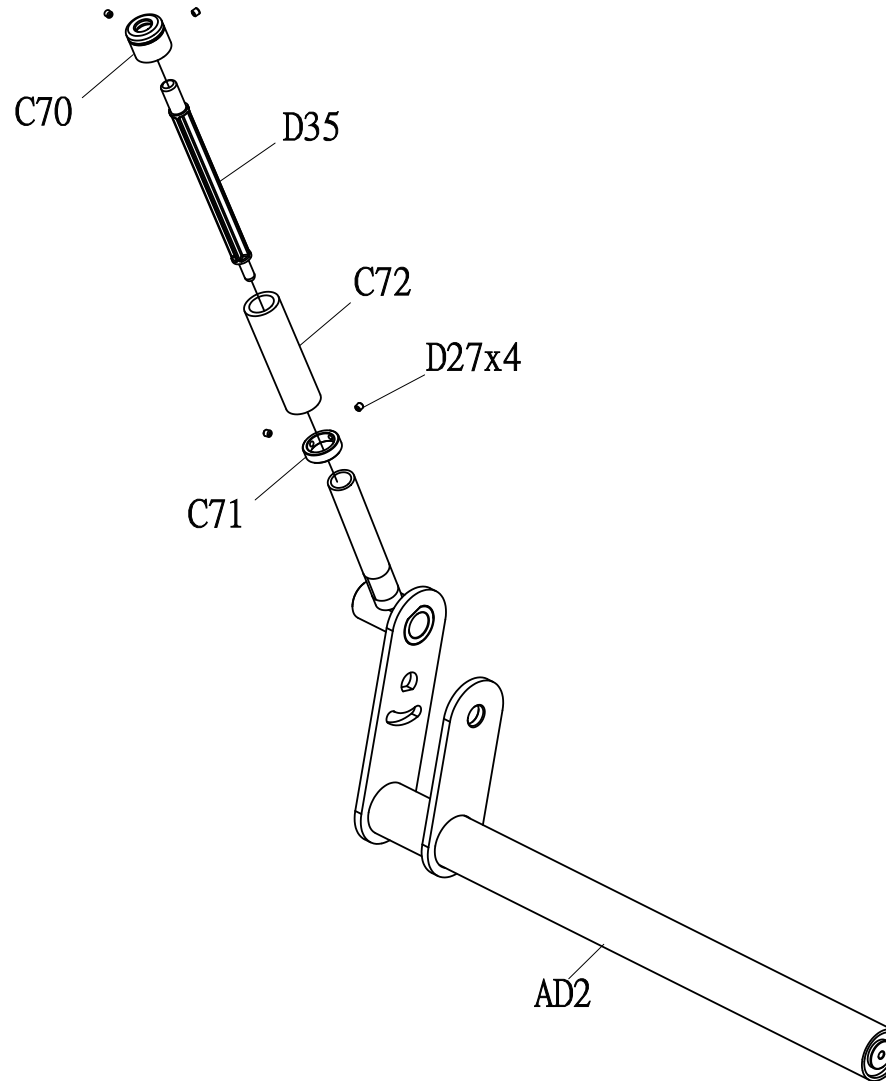
DRAWING NO	GM127H-AD02		
PART NAME	Swinging arm set		
PART NO	See Chart		A
APPROVE	WangZhiQing	DATE	09.13.2024

Part NO.	Color
1000522883	Black Matte



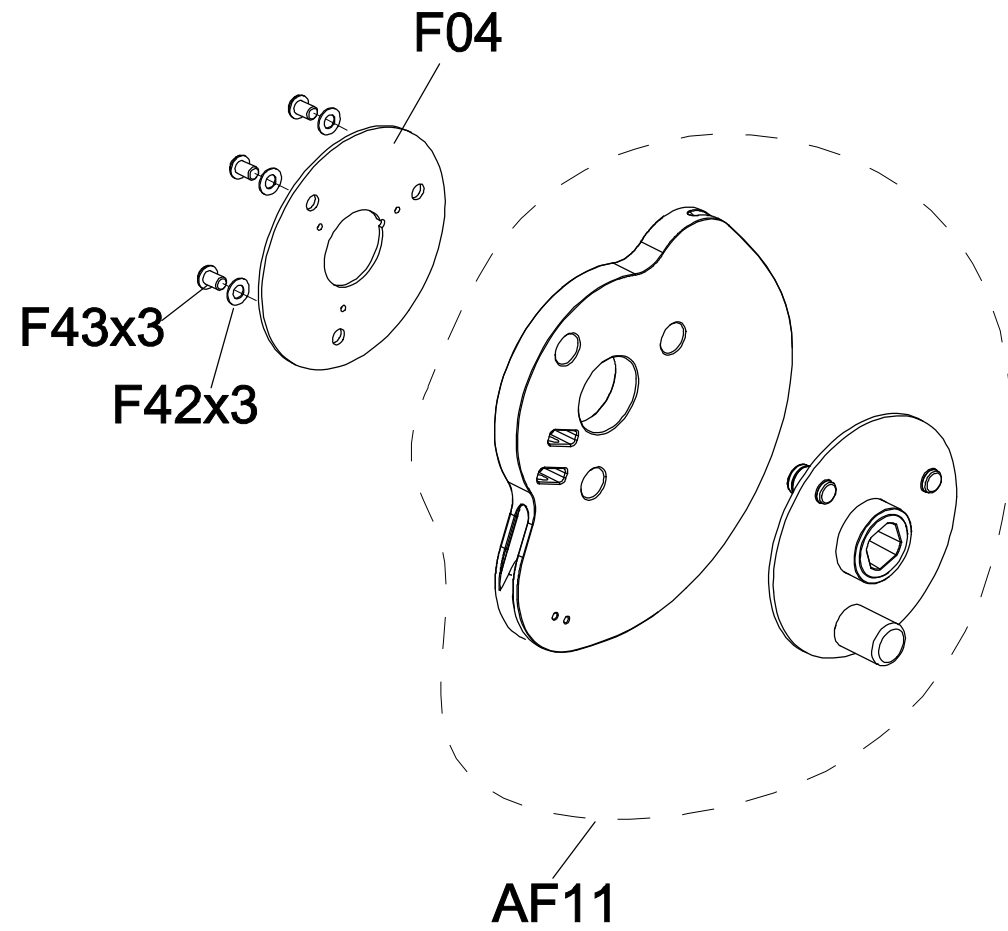
DRAWING NO	GM127H-AD03		
PART NAME	Leg pad set		
PART NO	See Chart		A
APPROVE	WangZhiQing	DATE	09.13.2024

Part NO.	Color
1000522884	Black Matte

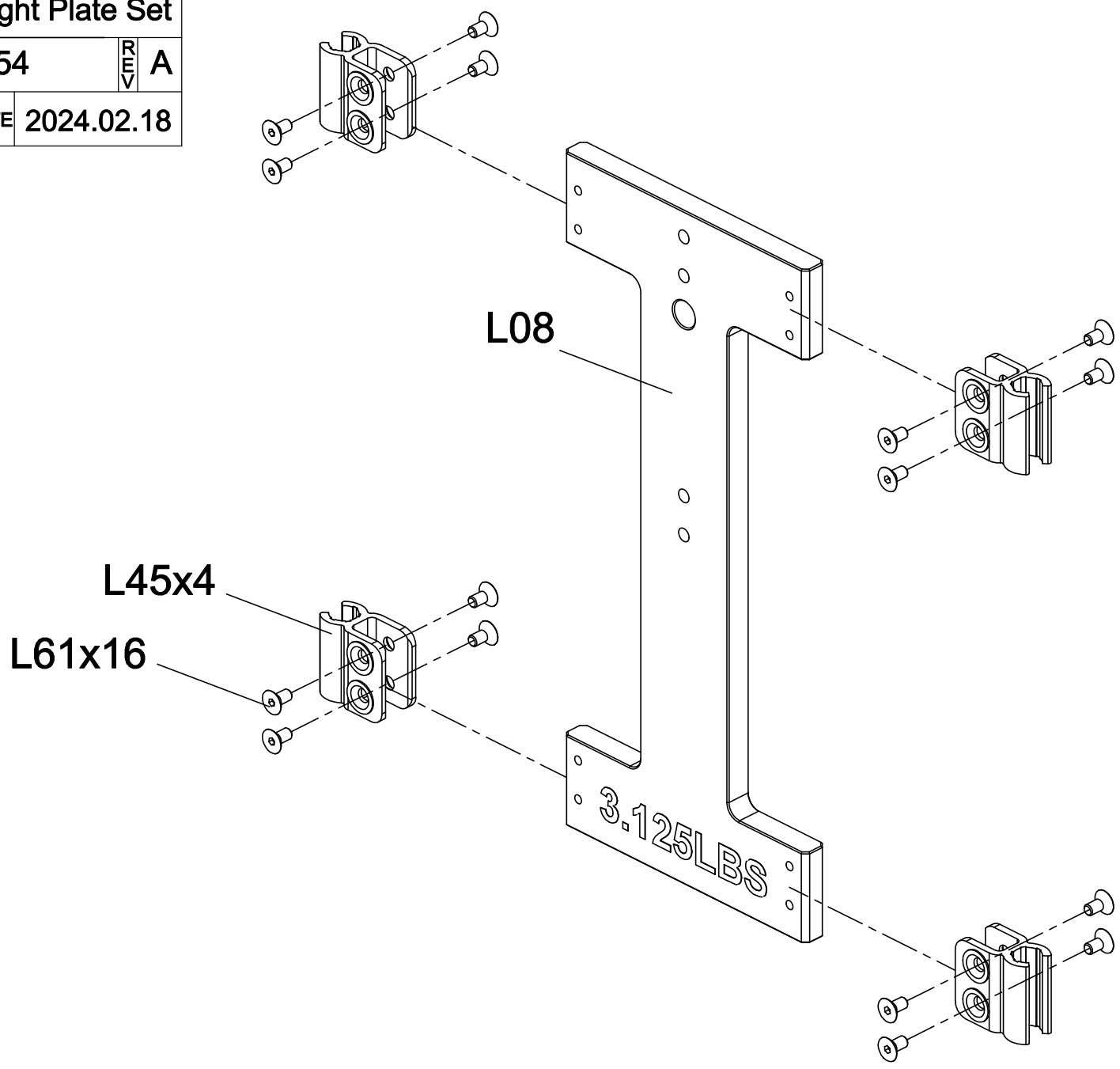


DRAWING NO	GM127-AF01		
PART NAME	Cam Fixing Set;Assembling		
PART NO	See Chart	REV	B
APPROVE	chenjianmin	DATE	08.11.2020

Part NO.	Color
1000418162	Iced Sliver
1000418163	Platinum
1000418164	Polarized Titanium
1000418165	Lace White
1000418166	Pearl White
1000418167	Mat Black
1000418168	Black Glossy
1000457568	Graphic 202020



DRAWING NO	GM113F-SF03		
PART NAME	Incremental Weight Plate Set		
PART NO	1000504954	REV	A
APPROVE	Yang Hong wu	DATE	2024.02.18



DRAWING NO	GM113F-SF04		
PART NAME	Incremental Weight Plate Set		
PART NO	1000504962	REV	A
APPROVE	Yang Hong wu	DATE	2024.02.18

