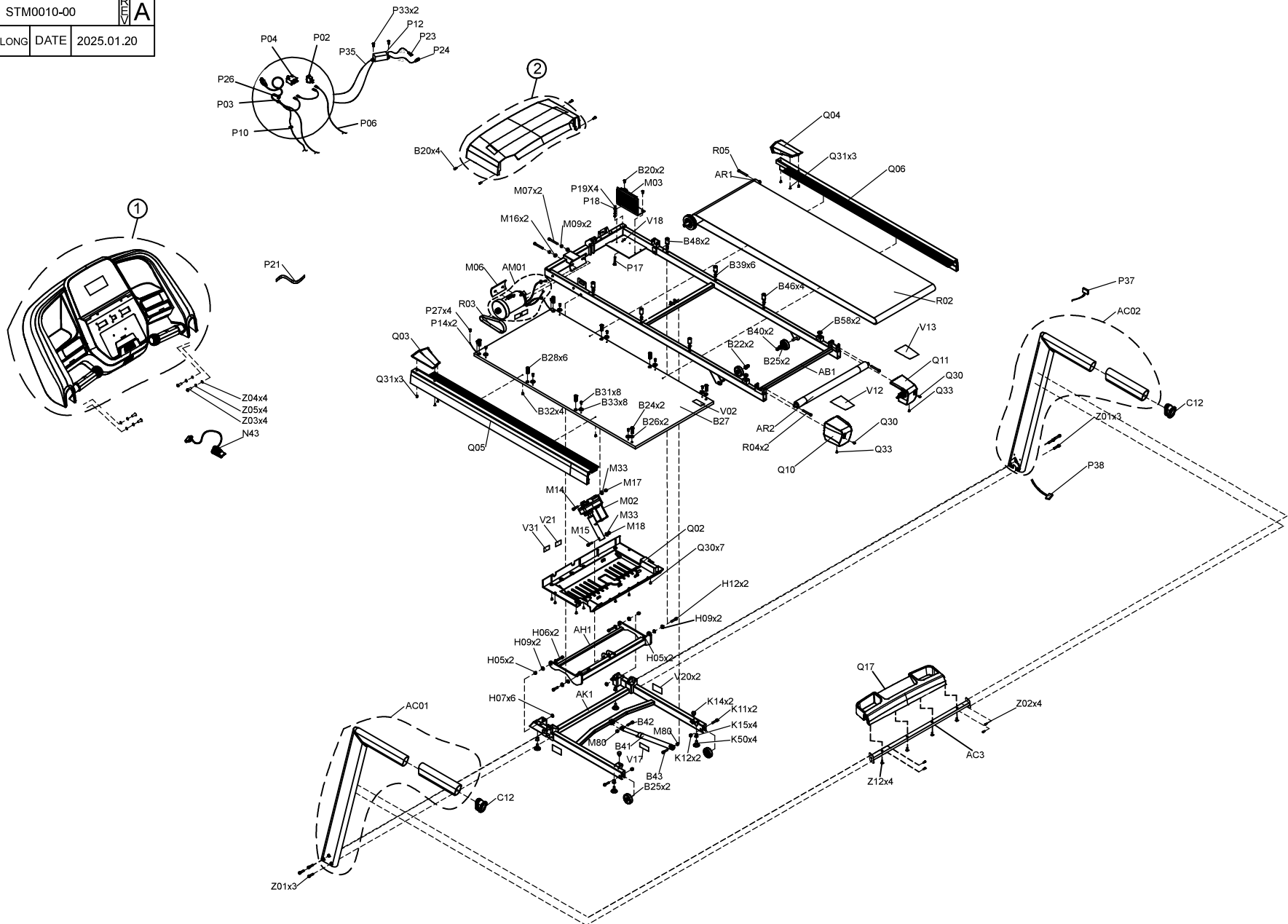
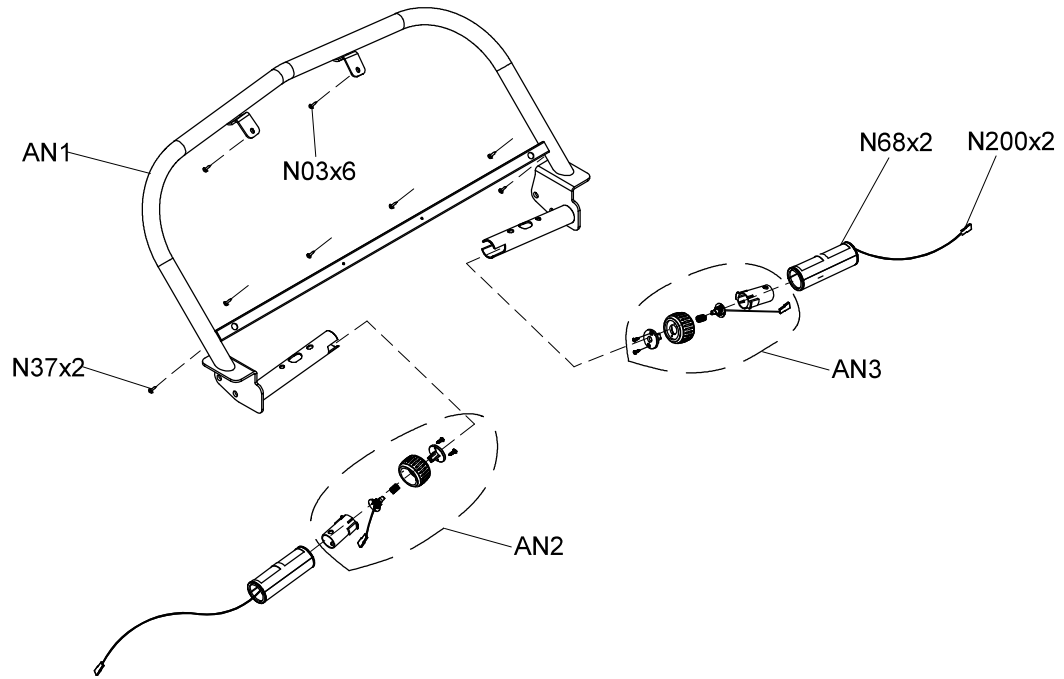
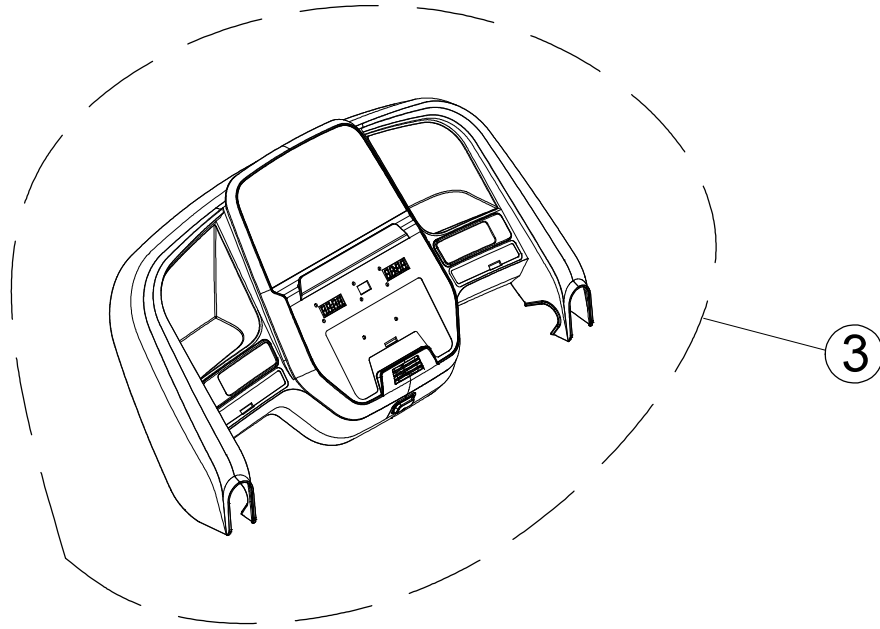


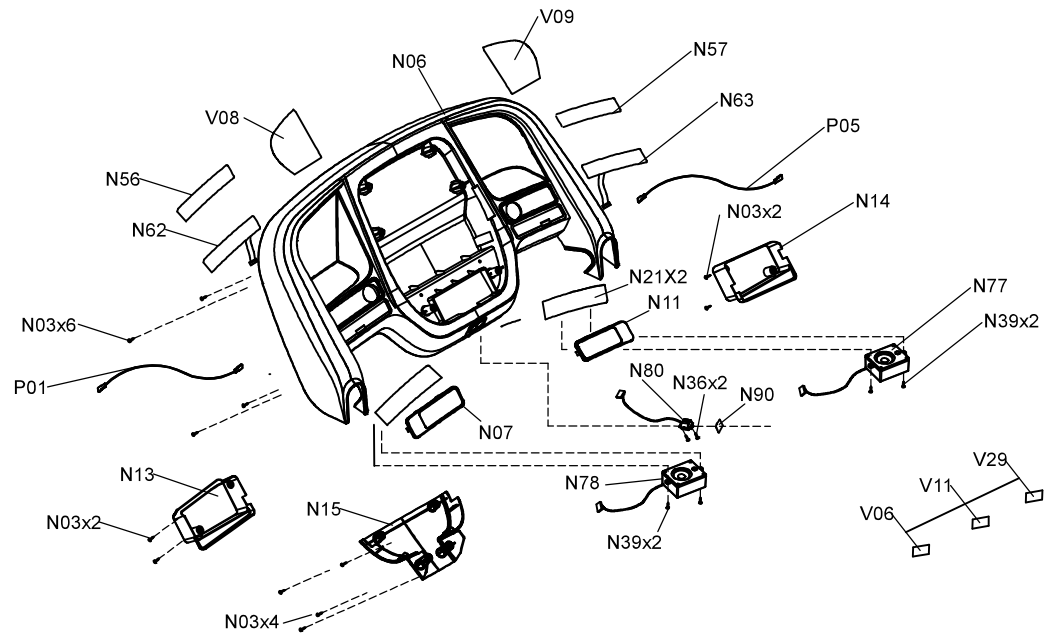
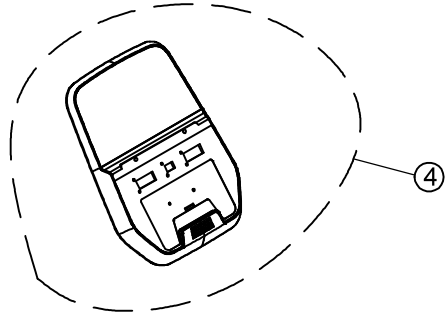
DRAWING NO	PTM1045-1US		
PART NAME	EXPLODED DRAWING		
PART NO	STM0010-00	A	
APPROVE	ZHUCHANG LONG	DATE	2025.01.20



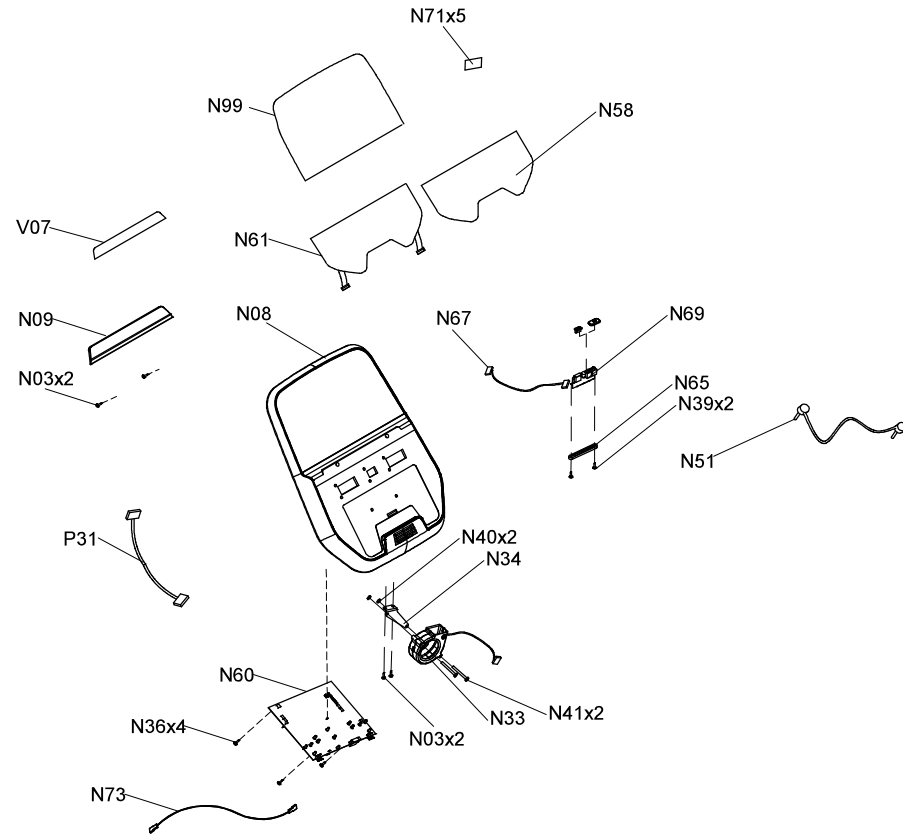
DRAWING NO	TM1045-A13		
PART NAME	EXPLODED DRAWING		
PART NO	1000529306	REV	A
APPROVE	Zhuchanglong	DATE	2025.01.20



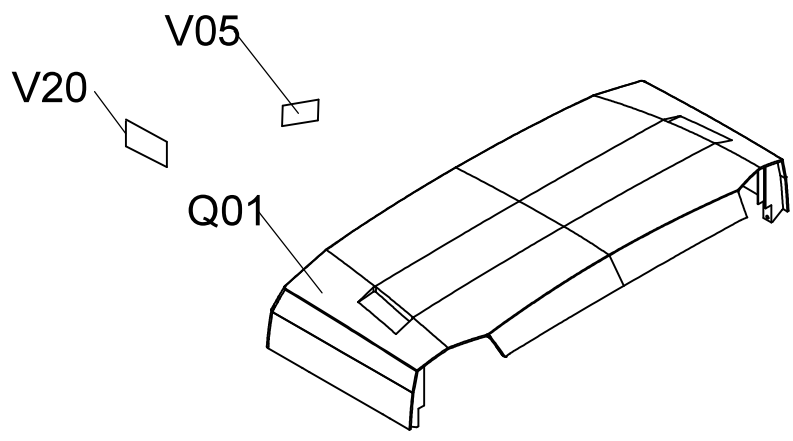
DRAWING NO	TM1045-A23		
PART NAME	EXPLODED DRAWING		
PART NO	1000529308	REV	A
APPROVE	Zhuchanglong	DATE	2025.01.20



DRAWING NO	TM1045-A24		
PART NAME	EXPLODED DRAWING		
PART NO	1000529311		
APPROVE	Zhuchanglong		DATE



DRAWING NO	TM1045-A14		
PART NAME	EXPLODED DRAWING		
PART NO	1000529314		A
APPROVE	Zhuchanglong		



DRAWING NO	TM1004-A12		
PART NAME	Motor set		
PART NO	1000490126	REV	A
APPROVE	Willie Zhang	DATE	2023.04.23

